

# BARBERPUB SHAMPOO CHAIR

User Guide

6154-MT-8610



# DEVELOPMENT HISTORY

**Future**

**Satisfy  
Customers**

Take customer demand as the starting point and constantly develop new products.

**2022**

**Listening &  
Innovating**

Attached great importance to the voice of our customers and dared to innovate.

**2020**

**Thriving**

Deeply cultivated each product category and exploited markets.

**2018**

**Developing  
Markets**

Started with barber chairs and increased product categories.

**2017**

**Expanding  
Production**

Started collaborating with more factories to increase product quantity.

**2015**

**Building  
Brand**

Started on a small scale, focusing on classic styles.

# CONTENTS



## Assembly Instructions **01**

---

- Part List
- Assembly Steps

## Warranty Information **17**

---

- Warranty Period
- Warranty Exclusions
- Warranty Coverage

## Common Problems and Solutions **19**

---

## Maintenance Recommendation **21**

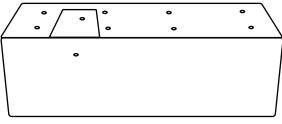
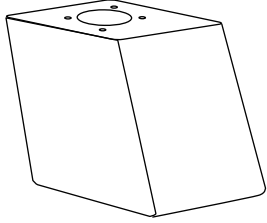
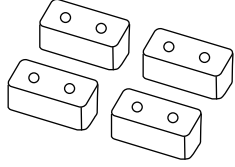
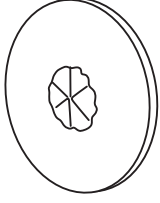
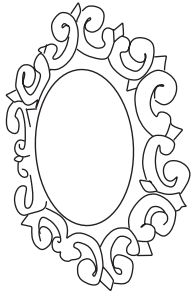
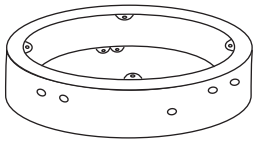
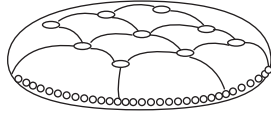
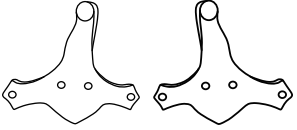
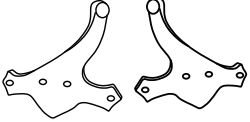
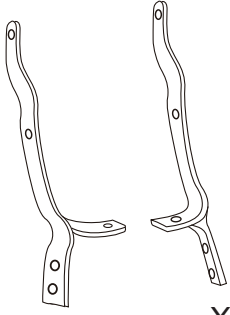
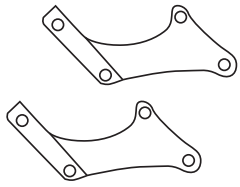
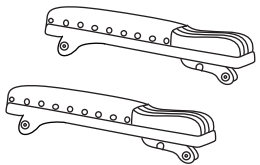
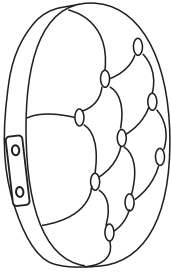
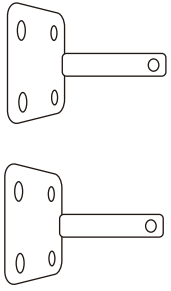
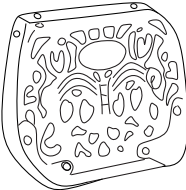
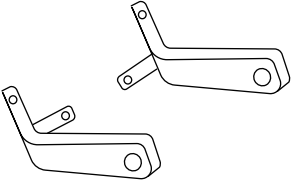
---

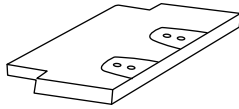
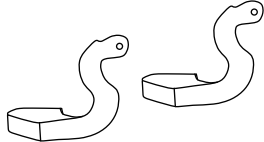
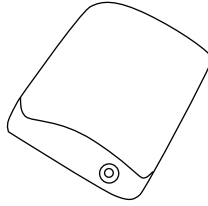
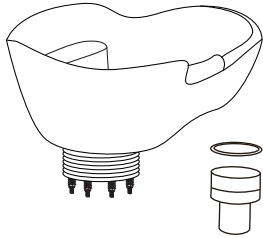
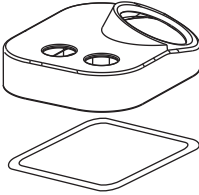
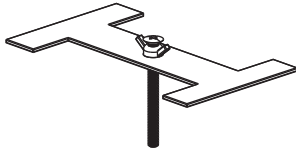

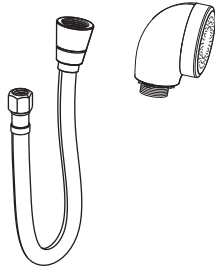
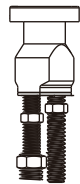
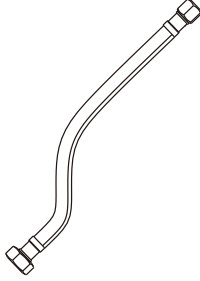


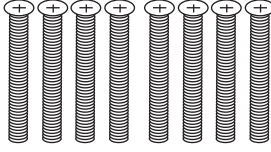
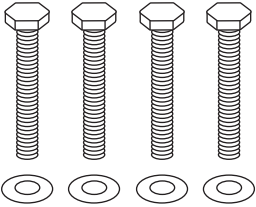
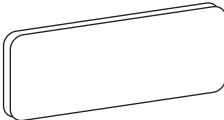
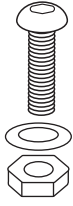
## BarberPub Series Showcase

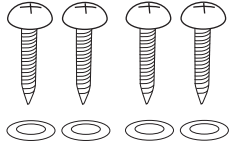
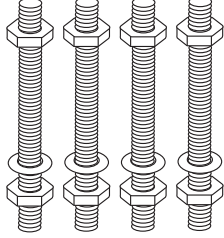
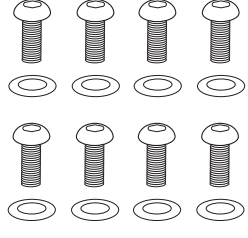
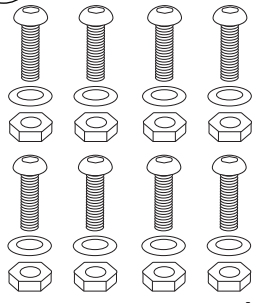
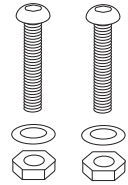
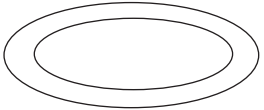
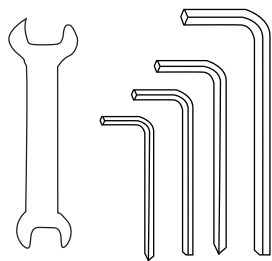
---

# ASSEMBLY INSTRUCTIONS

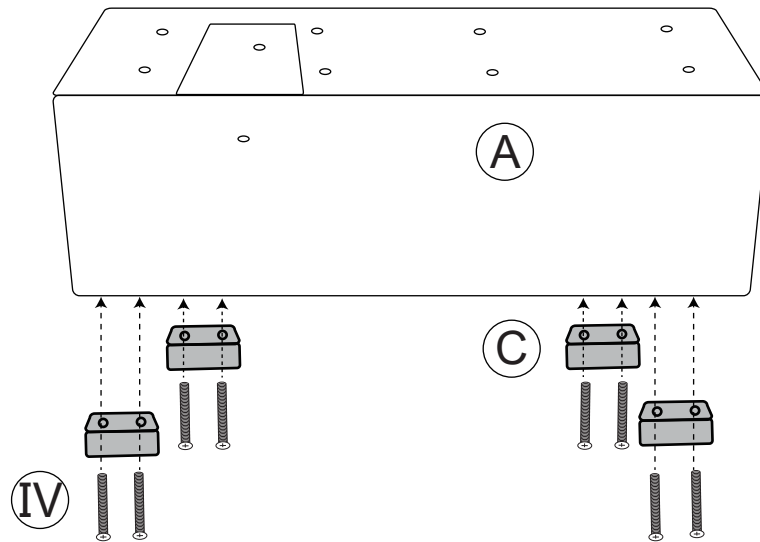
## Part List

<p>(A)</p>  <p>X1 Shampoo Chair Base</p>	<p>(B)</p>  <p>X1 Shampoo Basin Base</p>	<p>(C)</p>  <p>X1 Foot Pad</p>	<p>(D)</p>  <p>X2 Decorative Plate</p>
<p>(E)</p>  <p>X2 Decorative Flower</p>	<p>(F)</p>  <p>X1 Seat Frame</p>	<p>(G)</p>  <p>X1 Seat Cushion</p>	<p>(H)</p>  <p>X1 Front Aluminum Casting</p>
<p>(I)</p>  <p>X1 Back Aluminum Casting</p>	<p>(J)</p>  <p>X1 Armrest Support Connector</p>	<p>(K)</p>  <p>X1 Backrest Connector</p>	<p>(L)</p>  <p>X1 Armrest</p>
<p>(M)</p>  <p>X1 Backrest</p>	<p>(N)</p>  <p>X1 Black Support Connector</p>	<p>(O)</p>  <p>X1 Leg Rest</p>	<p>(P)</p>  <p>X1 Leg Rest Connector</p>

<p>Ⓚ</p>  <p>Footrest X1</p>	<p>Ⓡ</p>  <p>Foot Pedal Connector X1</p>	<p>Ⓢ</p>  <p>Rotated Foot Pedal X1</p>	<p>Ⓤ</p>  <p>Shampoo Basin X1</p>
<p>Ⓥ</p>  <p>Isolator Base X1</p>	<p>Ⓦ</p>  <p>Fixing Washer &amp; A Bolt X1</p>	<p>Ⓧ</p>  <p>Faucet X1</p>	<p>Ⓨ</p>  <p>Sprinkler with Pipe X1</p>
<p>Ⓩ</p>  <p>Isolator X1</p>	<p>Ⓡ</p>  <p>Faucet Pipe X1</p>	<p>Ⓡ</p>  <p>Sewer Pipe X1</p>	<p>Ⓡ</p>  <p>Neck Pillow X1</p>
<p>Ⓡ</p>  <p>M6*55 X1</p>	<p>Ⓡ</p>  <p>M8*70 X1</p>	<p>Ⓡ</p>  <p>Lumbar Pillow X1</p>	<p>Ⓡ</p>  <p>M8*20 X16</p>

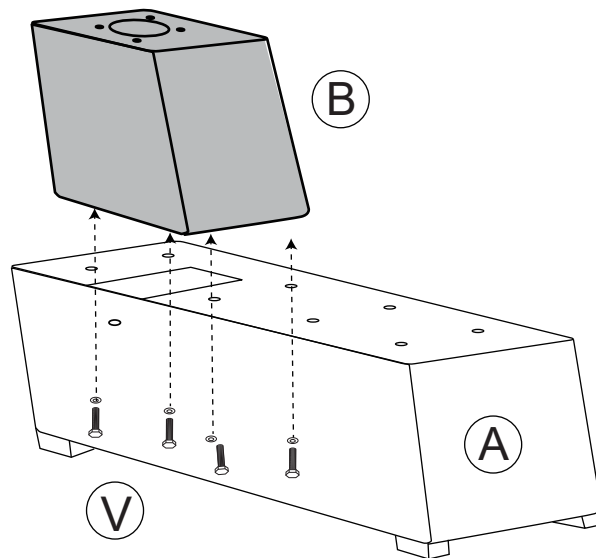
<p><b>VIII</b></p>  <p>Self-tapping Screw X1</p>	<p><b>IX</b></p>  <p>M10*160 X1</p>	<p><b>XI</b></p>  <p>M6*25 X1</p>	<p><b>XII</b></p>  <p>M8*40 X1</p>
<p><b>XIII</b></p>  <p>M8*50 X1</p>	 <p>Spare Rubber Ring for Sewer Nozzle X1</p>	 <p>Tools X1</p>	

## 1 Foot Pads Installation



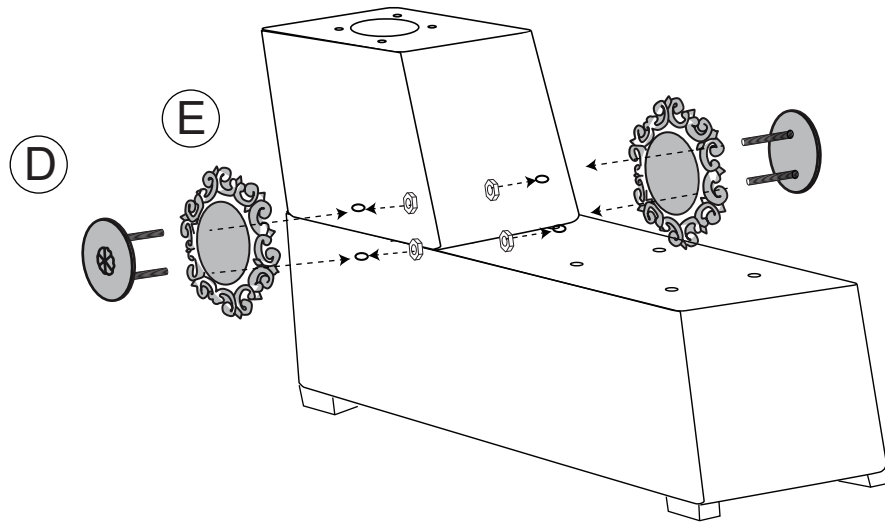
Please use 8\*bolts(M6\*55) to install 4 foot pads to the shampoo chair base.

## 2 Basin Support Installation



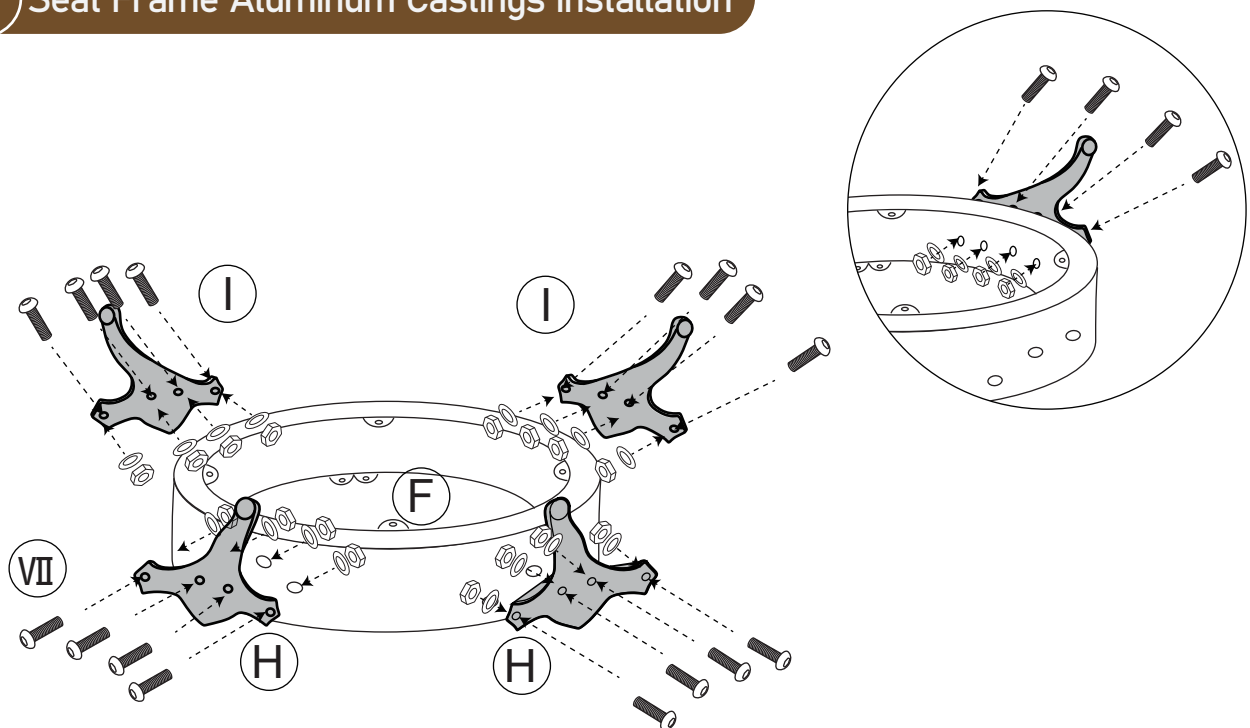
Please use 4\*bolts(M8\*70) to install shampoo basin base to the shampoo chair base.

### 3 Decorative Flower Installation



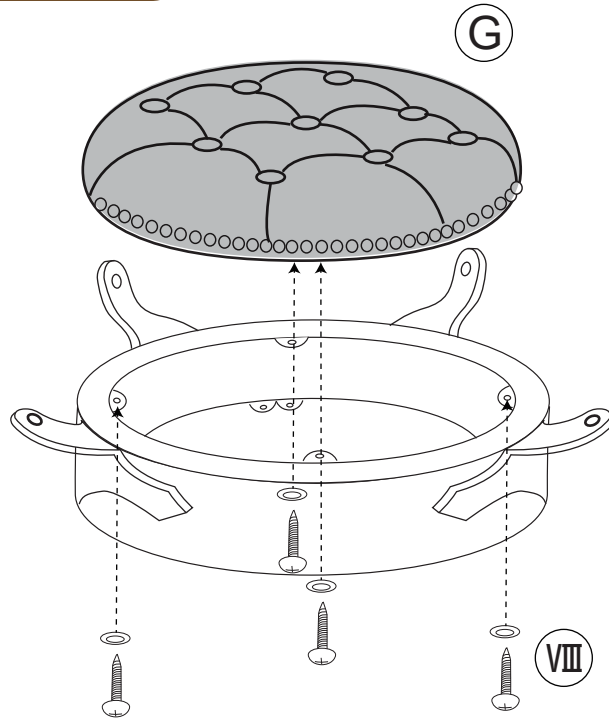
Please install decorative plates and decorative flower to the shampoo base.

### 4 Seat Frame Aluminum Castings Installation



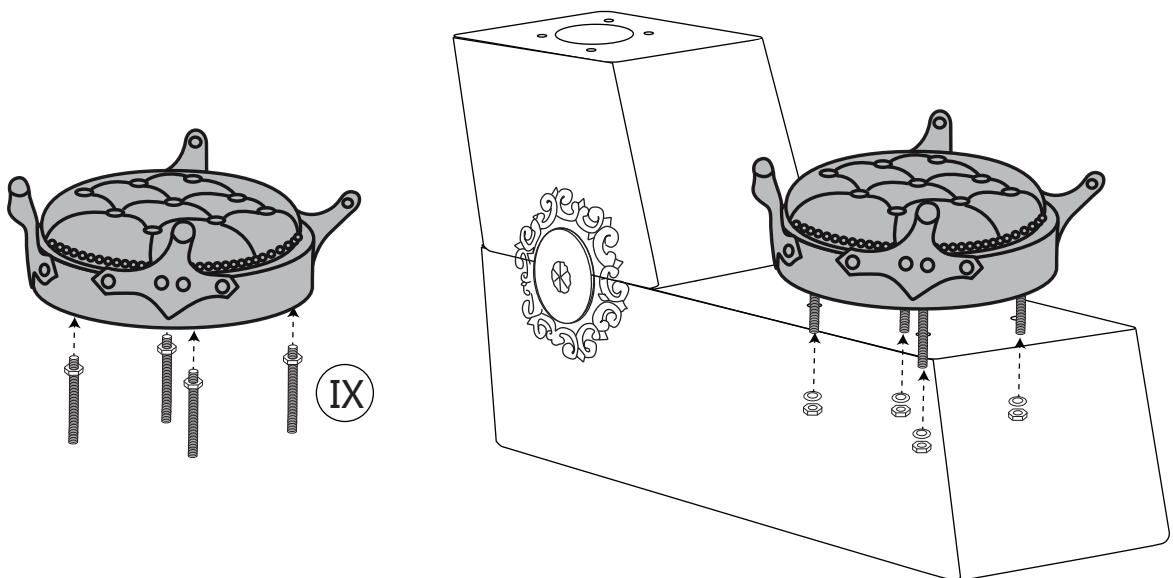
Please use 16\*bolts(M8\*20) to install 2\*front aluminum castings and 2\*back aluminum castings to the seat frame.

## 5 Seat Cushion Installation



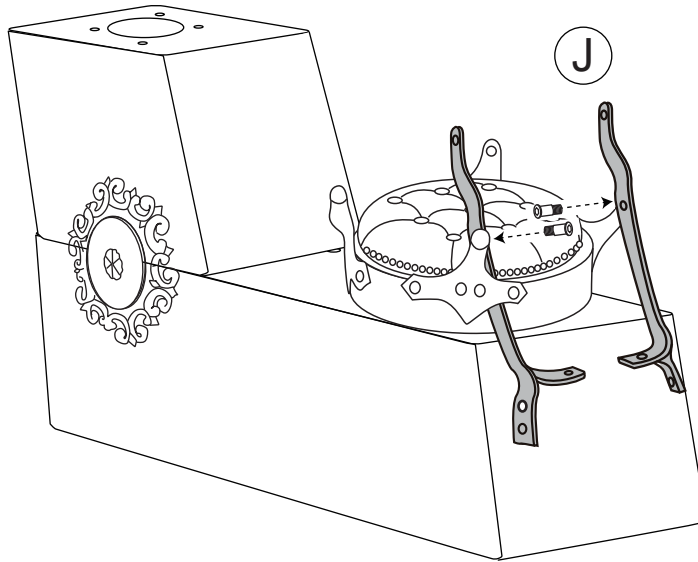
Please use 4\* self-tapping screws to install seat cushion to the seat frame.

## 6 Seat Installation



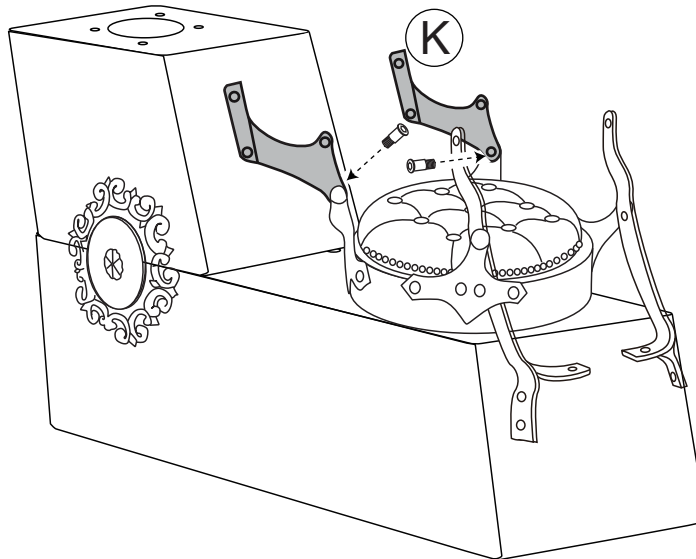
First, please tighten 4\* bolts (M10\*160) into the seat frame with 4\* nuts.  
Then insert the seat frame into the shampoo chair base and tighten it from the bottom with the other 4 nuts.

## 7) Armrest Support Connectors Installation



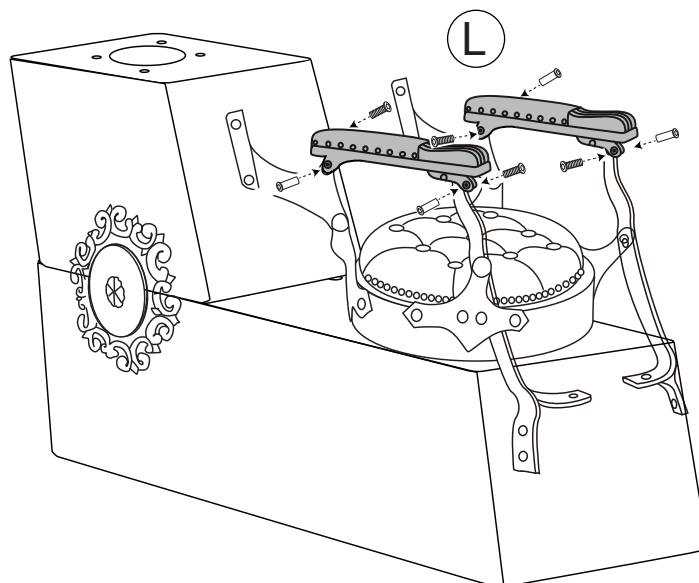
Please remove 2\*bolts which pre-installed on front aluminum castings, and use the bolts to install the armrest support connectors with the front aluminum castings.

## 8) Backrest Connectors Installation



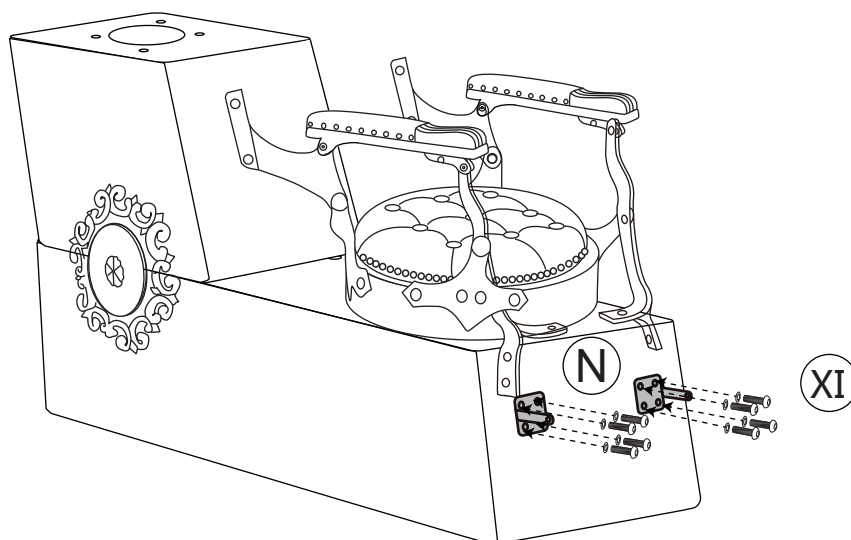
Please remove 2\*bolts which pre-installed on back aluminum castings, and use the bolts to install the backrest connectors with the back aluminum castings.

## 9) Armrests Installation



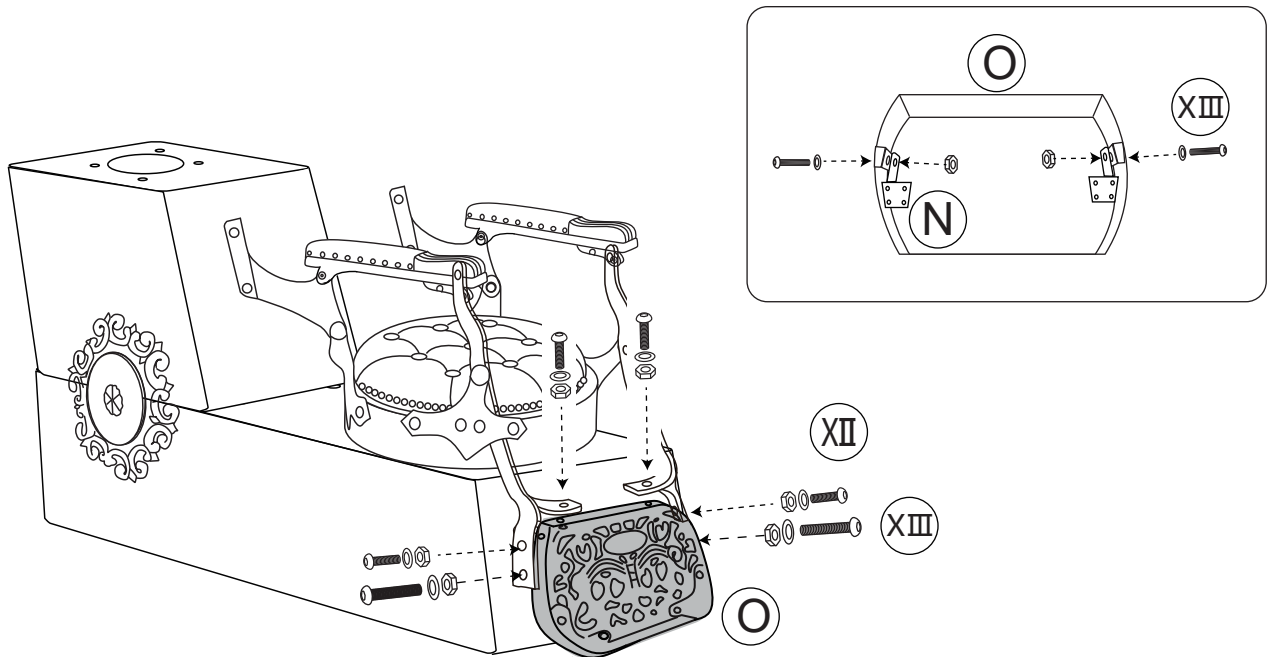
Please remove 4\*bolts which pre-installed on armrests, and install the armrests to the armrest support connectors and back aluminum castings.

## 10) Black Support Connectors Installation



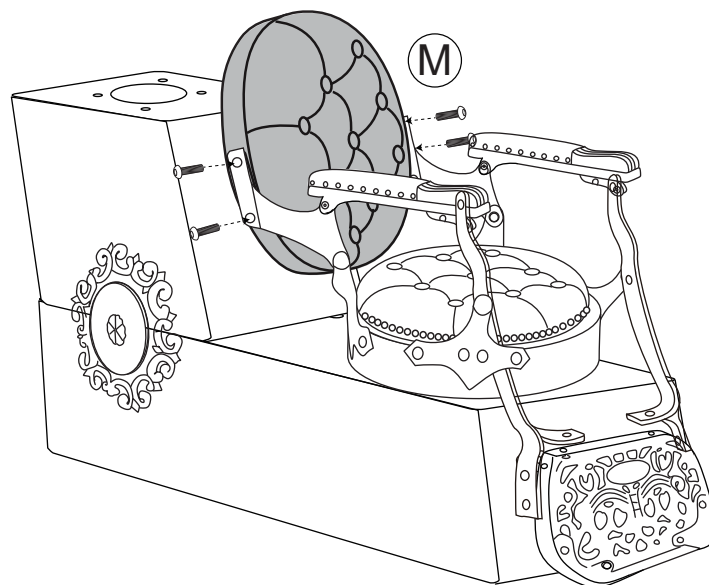
Please use 8\*bolts(M6\*25) to install 2\*black support connectors to the shampoo chair base.

## 11 Leg Rest Installation



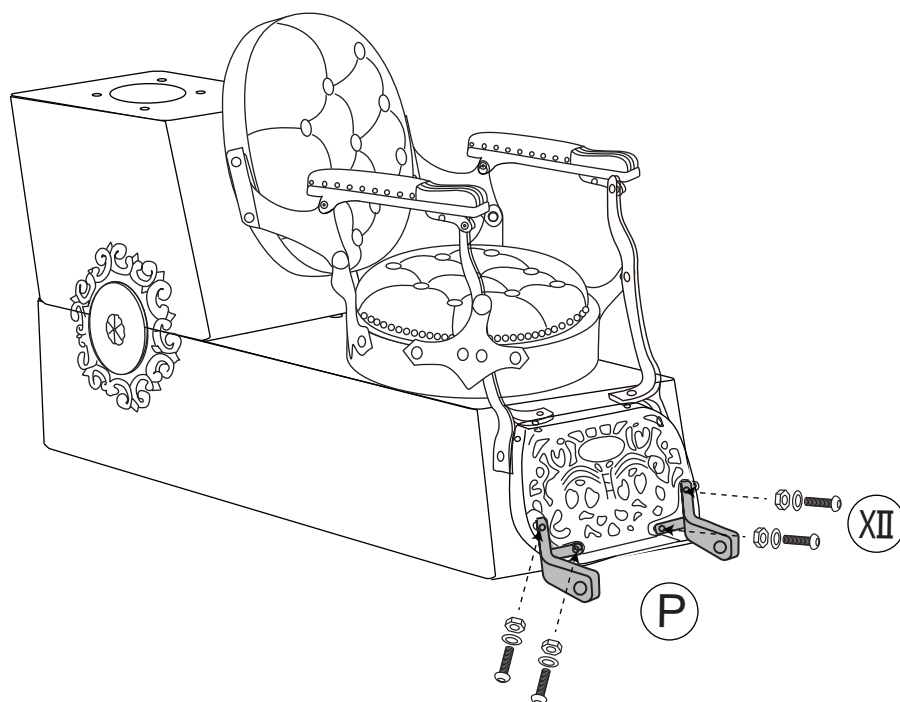
First, please use 2\*bolts(M8\*50) to install the black support connectors and the leg rest. Then please use 4\*bolts(M8\*40) to install the leg rest to armrest support connectors.

## 12 Backrest Installation



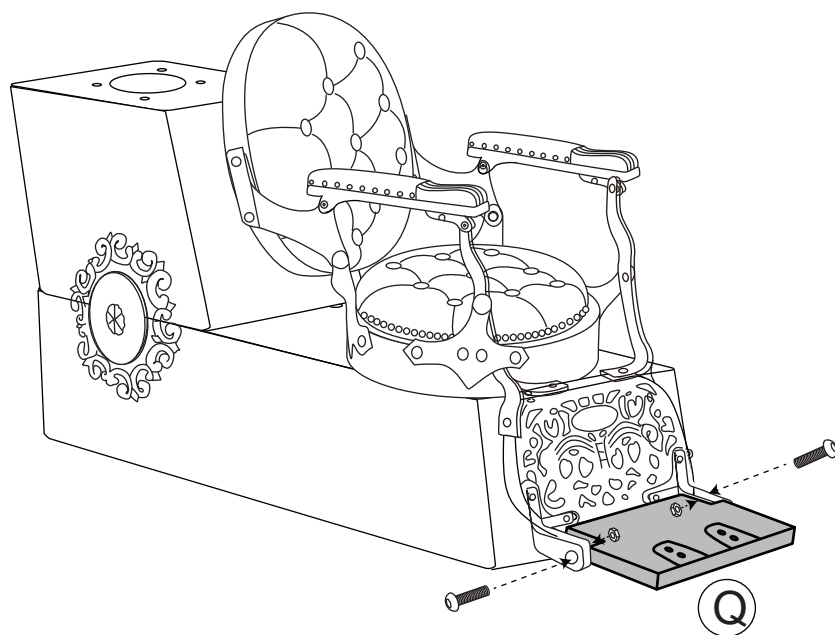
Please remove 4\*bolts which pre-installed on backrest, and install the backrest to the backrest connectors.

### 13 Leg Rest Connectors Installation



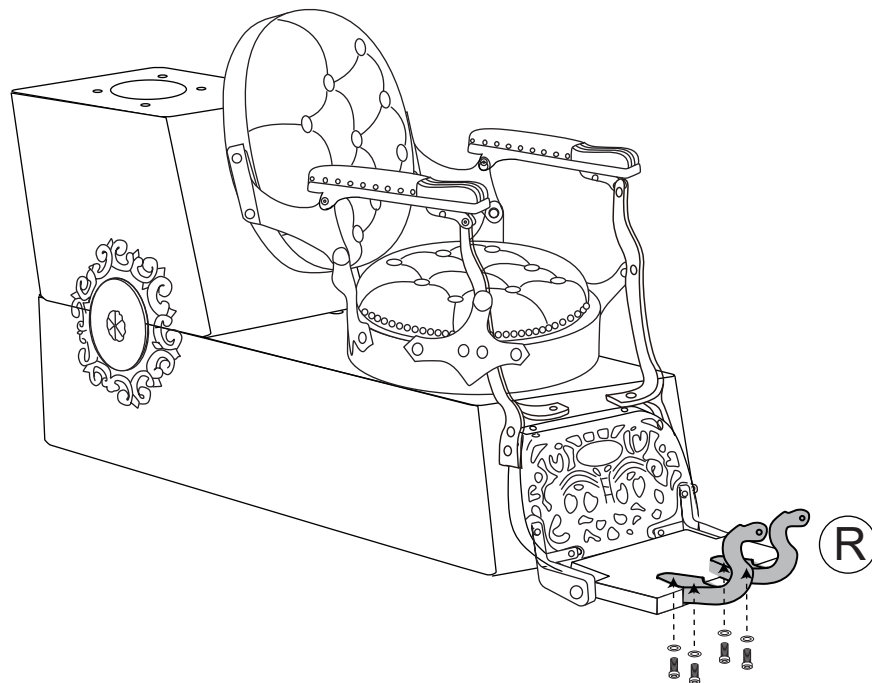
Please use 4\*bolts(M8\*40) to install 2\*leg rest connectors to leg rest.

### 14 Footrest Installation



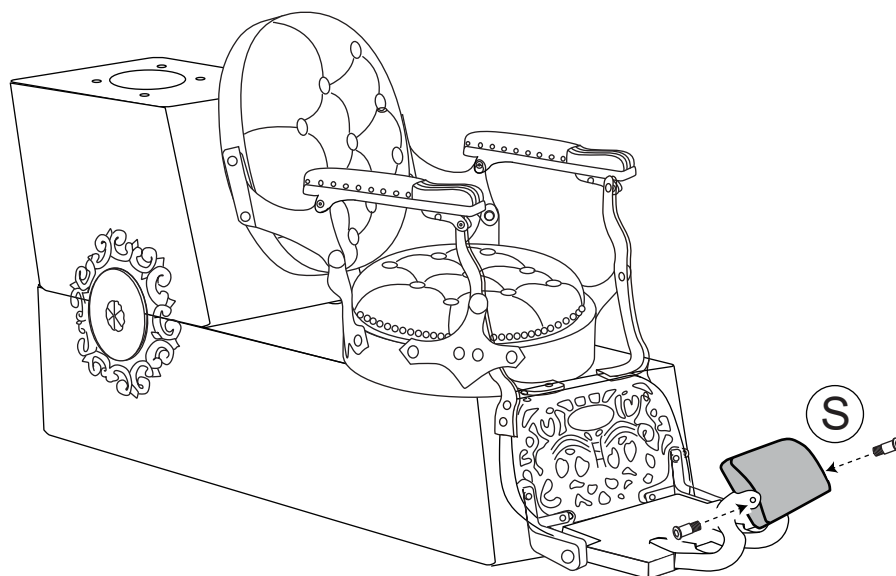
Please remove 2\*bolts which pre-installed on footrest and install footrest to leg rest connectors (Don't tighten the bolts).

## 15 Footrest Connectors Installation



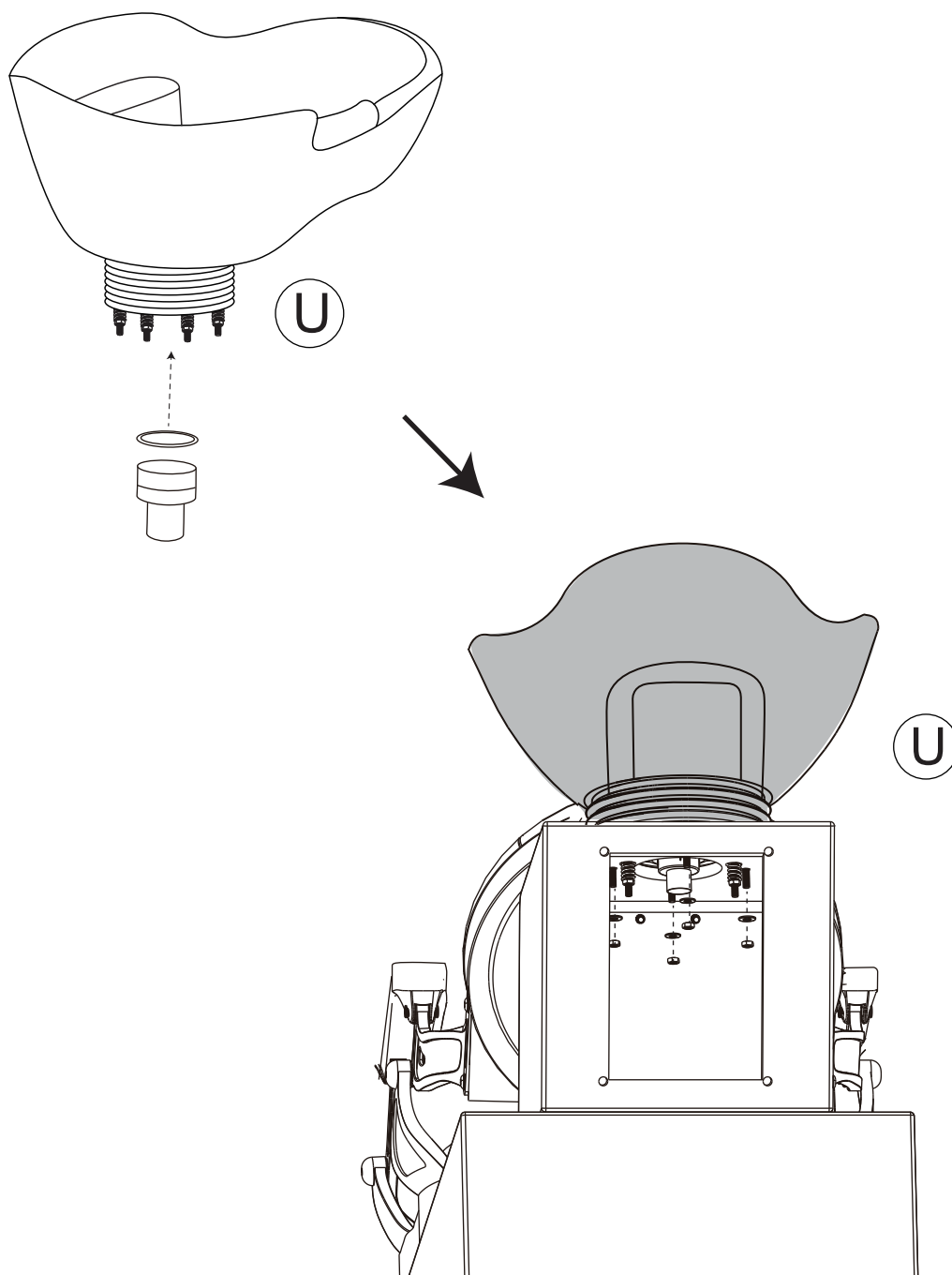
Please remove 4\*bolts which pre-installed on footrest connectors and install 2\*footrest connectors to the footrest (Don't tighten the bolts).

## 16 Rotated Foot Pedal Installation



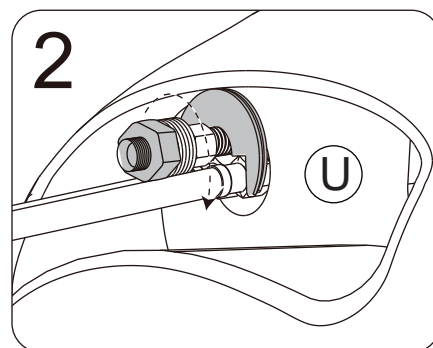
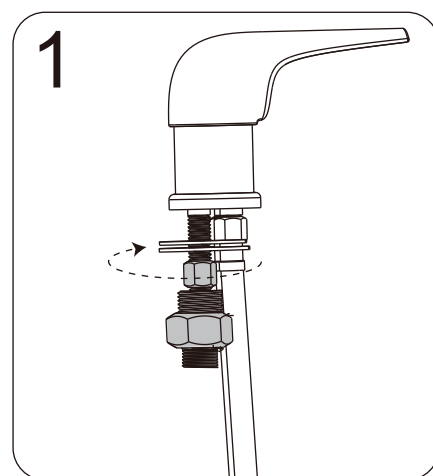
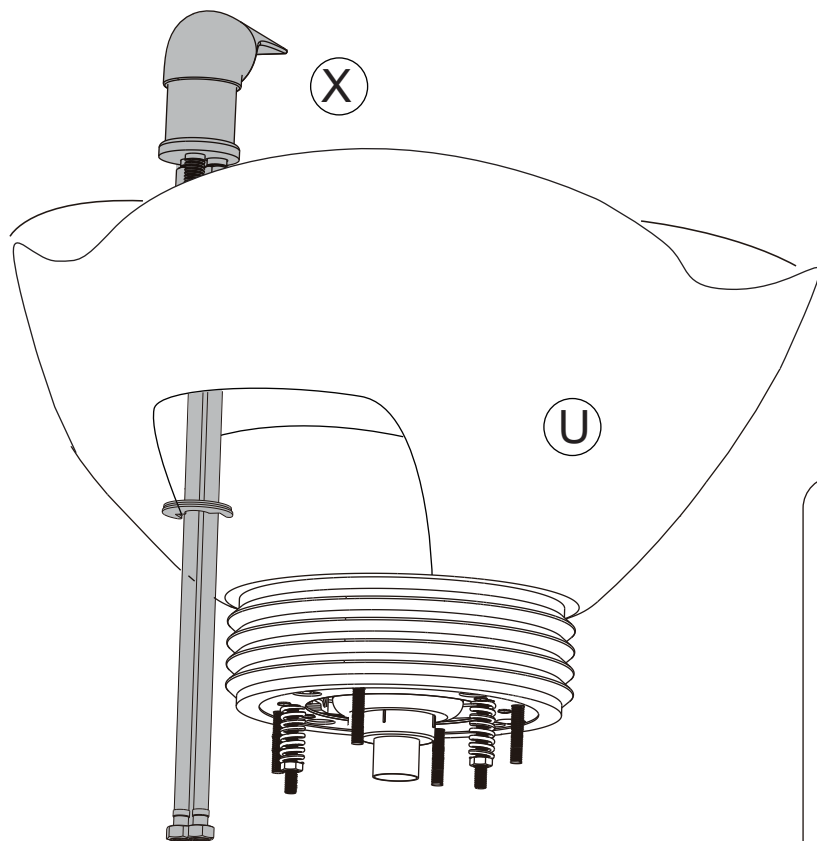
Please remove 2\*bolts which pre-installed on rotated foot pedal and install the rotated foot pedal to footrest connectors. Finally, tighten all bolts.

## 17 Shampoo Basin Installation



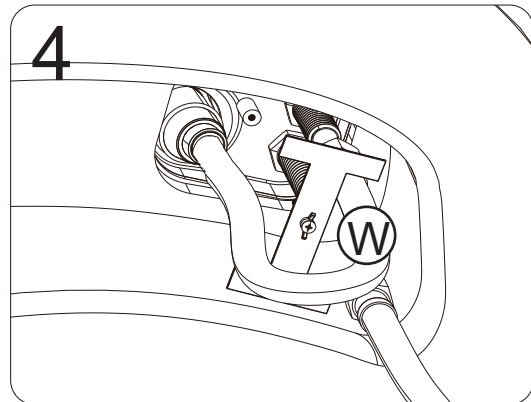
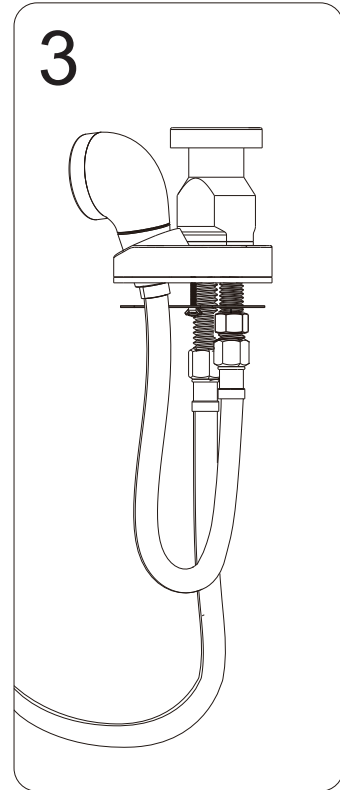
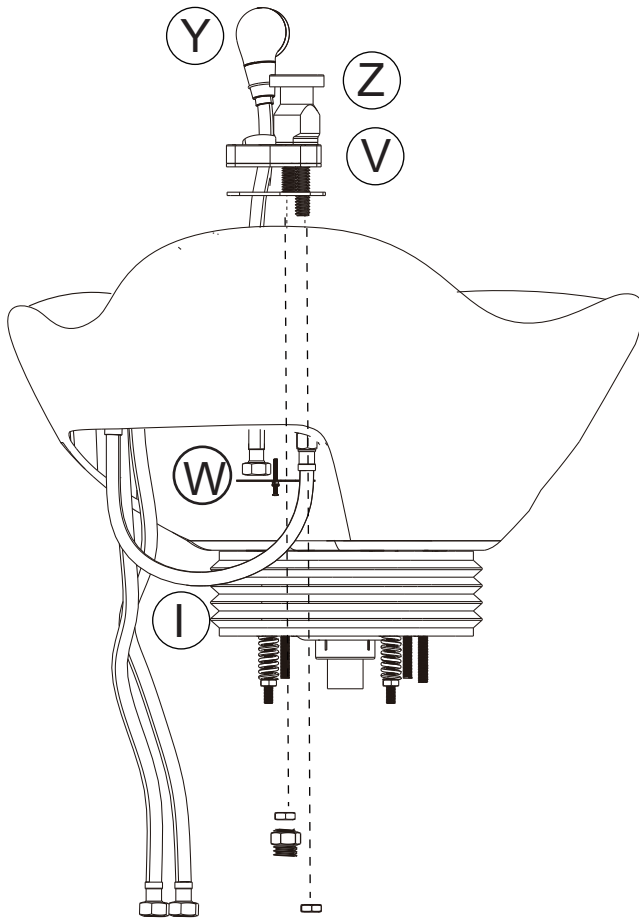
Please tighten the rubber ring and the sewer pipe connector (in the filter basket) on the basin. Then please remove the four sets of nuts&gaskets on the shampoo rocker, place the shampoo basin on the basin support, reattach the nuts&gaskets to the screws through the basin support.

## 18) Faucet Installation



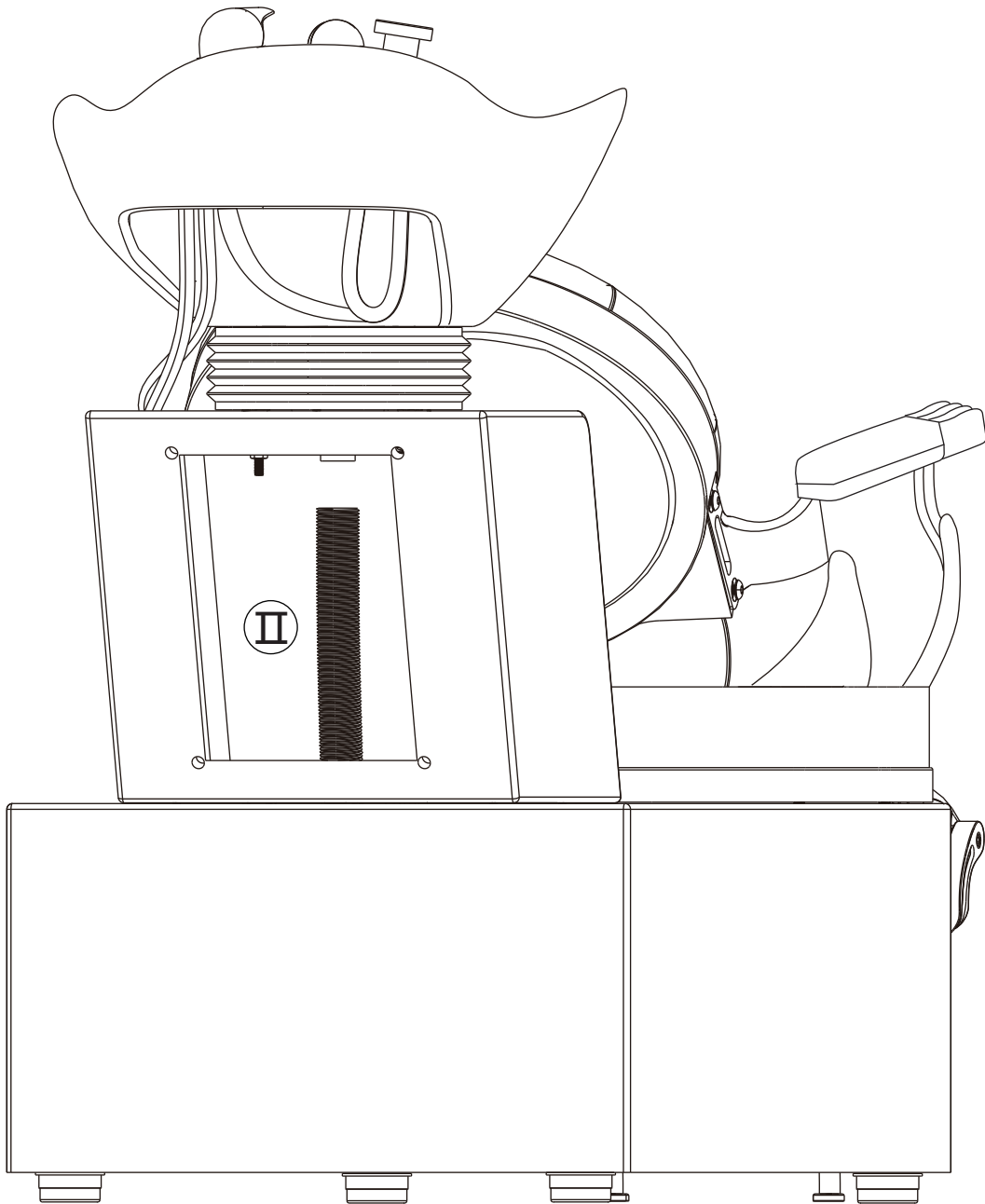
Please slightly loosen the nuts as shown in Figure 1, remove the plastic gasket and the metal gasket, then insert the faucet into the basin, and fix the two gaskets to the faucet and then tighten the nuts.

## 19) Sprinkler and Isolator Installation



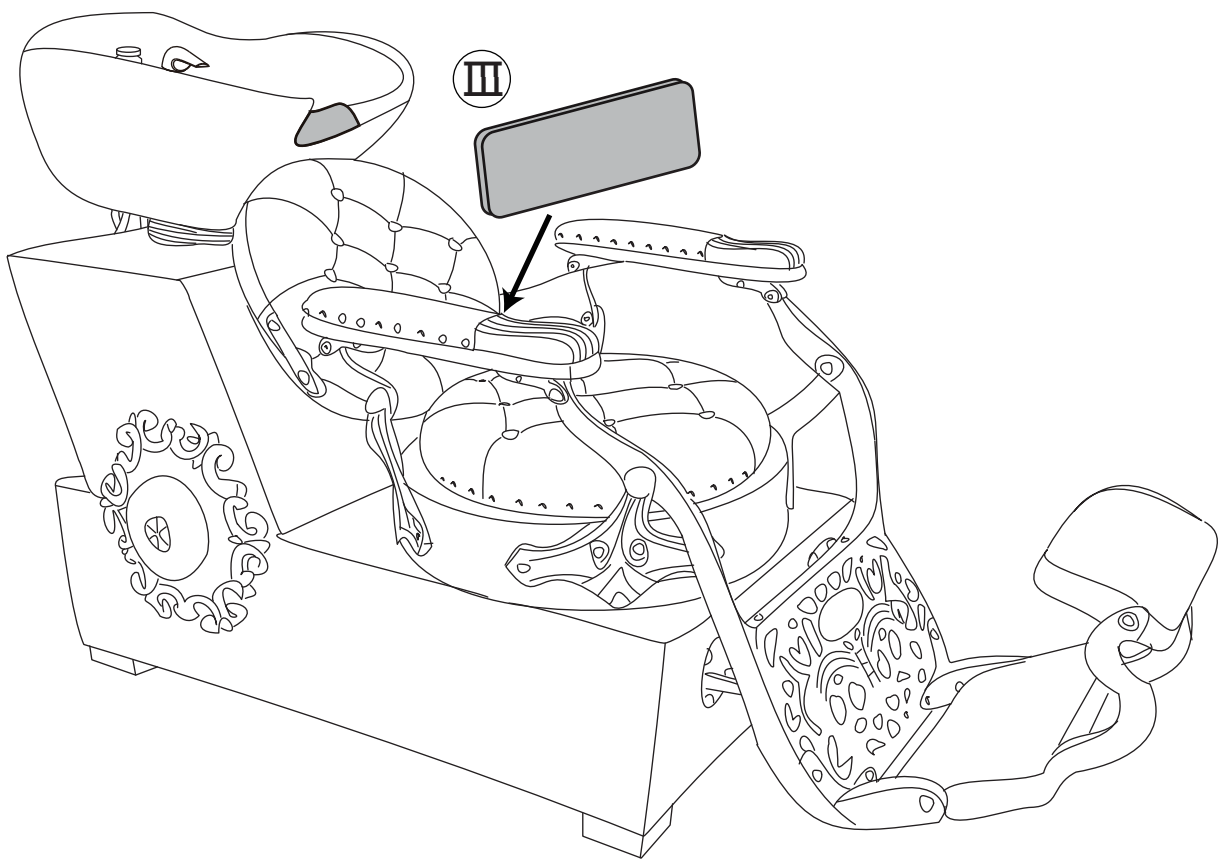
1. Please unscrew the three nuts pre-installed on the isolator and install the isolator on the isolator base, then fix isolator base with the fixing washer & a bolt and screw the three nuts back as shown in Figure 4.
2. Please connect the faucet and isolator with the faucet pipe. Then connect sprinkler pipe and isolator as shown in Figure 3.

## 20 Sewer Pipe Installation



Please connect sewer pipe to the sewer pipe connector.

## 21 Neck Pillow & Lumbar Pillow Installation



Please place neck pillow in the basin.

# WARRANTY INFORMATION

## Warranty Period

Parts	Period
Seat	1 Year
Armrests	
Backrest	
Basin	
Basin Support	
Footrest	

## Warranty Exclusions

Please note that regular wear and tear of the bed frame and cushions are not covered under this warranty. This includes, but is not limited to:

- Scratches, dents, stains or other surface damage from everyday use
- Natural aging and material degradation over time
- Minor cosmetic damages that do not affect the functionality of the product

This warranty specifically covers manufacturing defects and faults in materials under normal usage conditions.

For any warranty claims, proof of purchase and photos must be provided. The manufacturer reserves the right to determine whether the damage falls under warranty coverage.

## Warranty Coverage

If you have any problems after receiving the product, please send us an email directly with the attached images and a description of your claim.

### Missing/Damage Parts

#### (1) Missing

- Multi-boxes transportation

The product may be delivered in multiple packages. Please check the box numbers you received. If the product comes in multiple boxes and you did not receive all, please contact customer service promptly to get the shipping status of the other packages.

- Take a photo of the parts received

After receiving the complete boxes, if any parts are still missing, a photo of the parts and the outer boxes you received are required. Circle the missing parts in the instruction and inform us, this helps our staff identify the parts number to ensure which you are missing.

- Required part number and quantity

Please check the instruction and tell us the damaged part numbers and quantity you need so we can reship correctly.

#### (2) Damage

- Take a photo of the outer box/damaged parts

The photos of the outer boxes and damage is always required to file a claim and get your replacement parts or refund processed quickly.

- Required part number and quantity.

Please check the instruction and tell us the damaged part numbers and quantity you need so we can reship correctly.

### Return&Refund

- Don't discard the boxes/original packaging

In case a return is required, the item must be returned in original condition and box. Without this your return will not be accepted.

# COMMON PROBLEMS AND SOLUTIONS

## **Pump Not Working at All**

Solution: It is because the pump got locked. Please push the lever to the lowest position and hold it for a few seconds, then it will be unlocked.

## **Pump Not Working Properly**

Solution 1: The failure of pump to rise and down may be caused by the wrong direction of the foot lever installation. Please take off the footrest first, then turn the foot lever in the opposite direction and plug it into the pump again. For further details, please check the prompts in direction.

Solution 2: If the foot lever is in the correct direction, the problem may be caused by the air inside of the pump. For this circumstance, please rise the chair to highest position and then lower the chair to lowest position. Then, repeat the process several times. The pump should work properly.

## **Pump Goes Down by Itself**

When you pump up the chair in daily uses, please do not tread the foot lever to the end. Please pump up the chair bit by bit from the lowest position to the highest position (without people sitting). Please upward the foot lever and let someone sit on the chair to see if the problem still exists. If the issue still exists, please contact us.

## **Difficult to Rotate**

Solution 1: The issue may be caused by wrong seat cushion installation, for placing the seat to the bottom. Please push the seat down and it will be locked automatically.

Solution 2: The pump has two screws inside. Please remove the pump cover and loose the screws on the pump, which will make the chair to spin free.

Kindly Reminder: If you want to lock the chair, please heave up the pump lever. Please tread it to unlock.

## **Recliner Not Working**

Solution: If the backrest cannot move forward or backward, please adjust the gas piston for the recliner. There is a screw on the piston, and you need to adjust it a little bit to make the recliner work.

Please see videos below for further installation guides.

<http://youtu.be/t95f4QRWuhU>

<http://youtu.be/duk1rHXWbpg>

## **Chair Slant Forward**

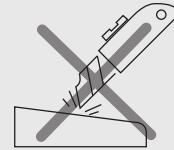
Solution: The issue is caused by wrong side bracket installation. There is a bracket between seat and pump. The bracket is not flat. It is designed in that way. Please put the thick side to the back, and thin side to the front, then the chair should work properly.

**If you have any unsolvable problems, please contact us in time, we will do our best to help you solve them.**

# MAINTENANCE RECOMMENDATION

## Surface Maintenance

Avoid using hard objects to scratch the chair surface. The leather fabric is wear-resistant, but it is easy to be scratched by hard objects. The sharp items such as scissors and razors used in the hair salon need to be placed properly. In addition, guests' zippers and buttons may scratched the leather surface of the barber chair.



Avoid using hard objects to scratch



Scissors and Razors

The leather surface material needs regular care. You can use the leather surface curing agent to spray and wipe the hair surface of the barber chair from time to time for maintenance. If the chair surface is stained with dyes, perm agents and other difficult-to-clean items, you can use cotton cloth Wiping with a little petrol, which can effectively avoid hairdressing chair surface staining.



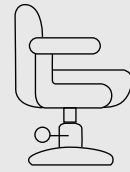
Leather surface curing agent



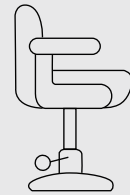
Use cotton cloth Wiping with a little petrol

## Hydraulic Pump Care

The main function is to adjust the height of the barber chair through lifting. Generally, the hydraulic pump will not have any quality problems. When buying the hydraulic pump, be careful not to buy an hydraulic pump that seeps oil. In daily use, please pump up the chair bit by bit from the lowest position. And don't tread the foot lever to the end, which can effectively improve the service life of the hydraulic pump.



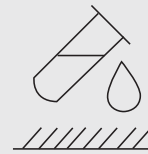
Adjust the height



## Base Care

Do not wear on the electroplating base. You cannot use sandpaper or other materials to wipe the barber chair base. The electroplated surface is usually chrome plated, which has the functions of anti-rust and anti-corrosion, so avoid grinding. If there is a bit of rust, you can choose to wipe with a dry cotton cloth. In addition, please clean the base frequently to keep the base clean.

The stainless steel base is relatively easy to care, just wipe it frequently.



Anti-rust and Anti-corrosion



wipe with a dry cotton cloth

# BARBERPUB SERIES SHOWCASE

## Top Picks



6154-L018



6154-MT-8610GLD



6154-MT-8688GD

### Vintage Barber Chair

Brand : BarberPub

Color : Gold

Special Feature : Adjustable Height, Ergonomic, Arm Rest



6154-FR-9303BR



6154-FR-3802BR



6154-0040BK



6154-8132BK

6154-3141BK

## Barber Series



6154-MT-8613BK



6154-MT-8623BK



6154-3207BK



6154-8730RD



6154-E-9109AB



6154-2700BK



6154-FR3825-GD



6154-3078GD

# BARBERPUB SERIES SHOWCASE

## Top Picks



6153-2636PINK

6153-3513PINK

### Manicure Table Makeup

Brand : BarberPub

Color : Pink

Room Type : Beauty Shop, Manicure shop, Nail Store,  
Home Office, Salons



6153-DC2666W



6153-3522BG



6154-RO-3

6154-3152W



6153-3535PINK

## Beauty Series



6154-2751BK



6154-DC2045W



6153-2425W

6154-2098W



6154-2204OK



6154-2034OK



6154-DC2005RSB



6154-7139RSB

# BARBERPUB

THE CHOICE OF MILLIONS OF CUSTOMERS



✉ [sales@barberpub.com](mailto:sales@barberpub.com)

☎ 1-323-597-1109

🌐 [www.barberpub.com](http://www.barberpub.com) [Amazon.com/barberpub](https://Amazon.com/barberpub)