

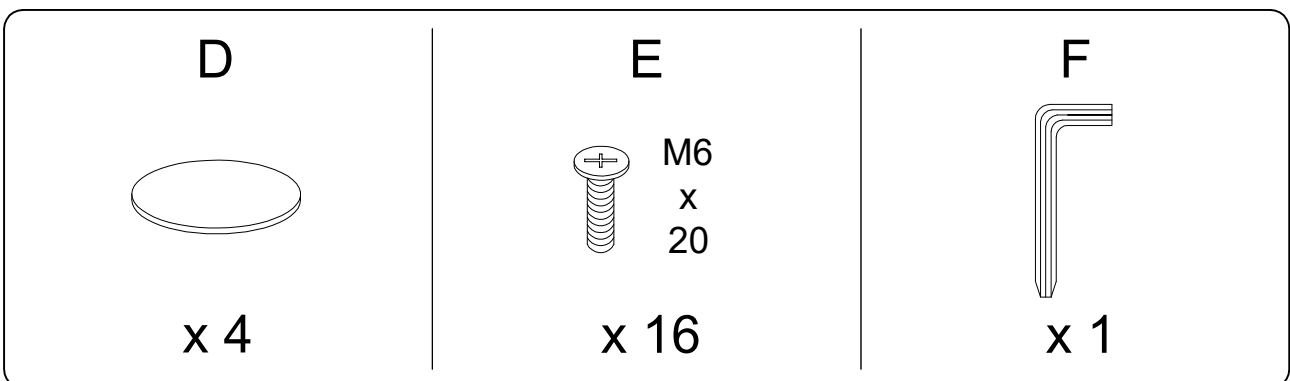
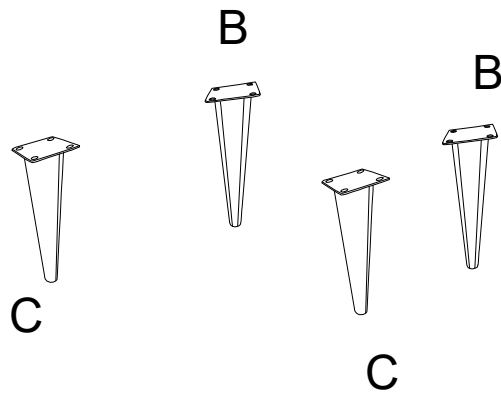
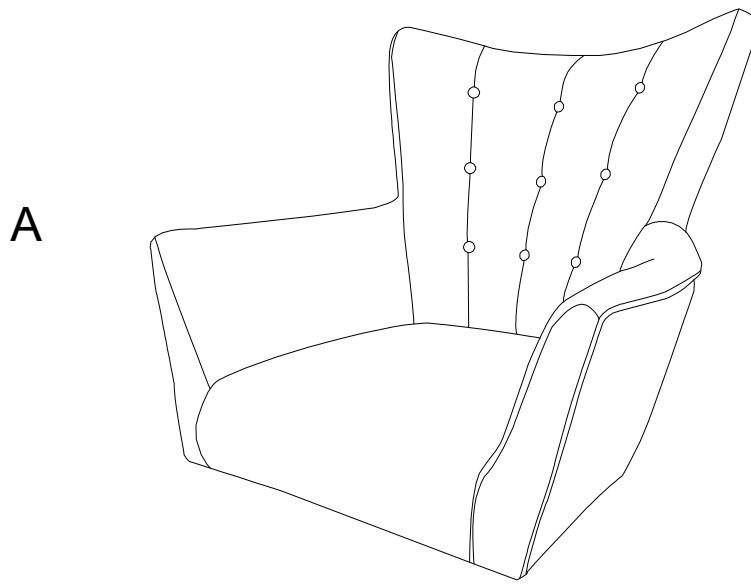
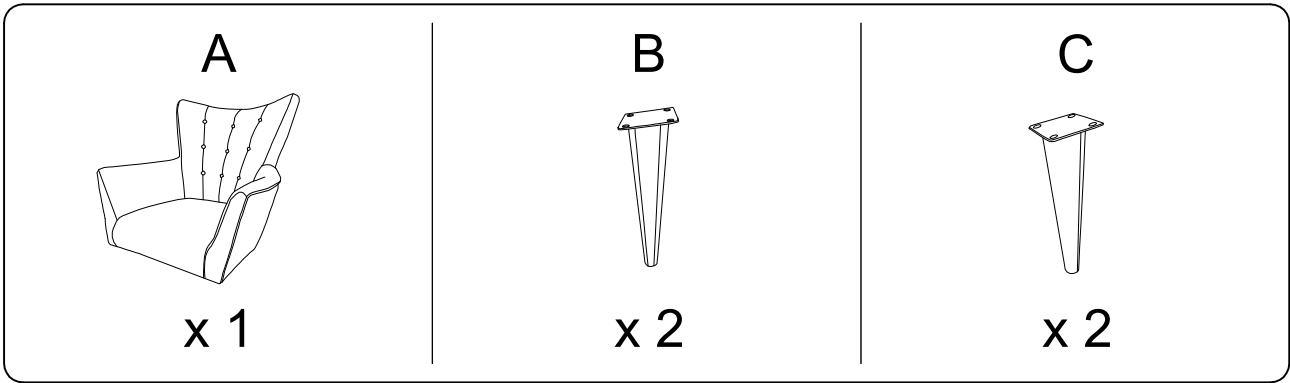
Assembly instructions for the chair, including warnings, time, and person requirements.

Warning 1: Do not use a power drill. Use an Allen key (shown in a circle) to tighten the screws.

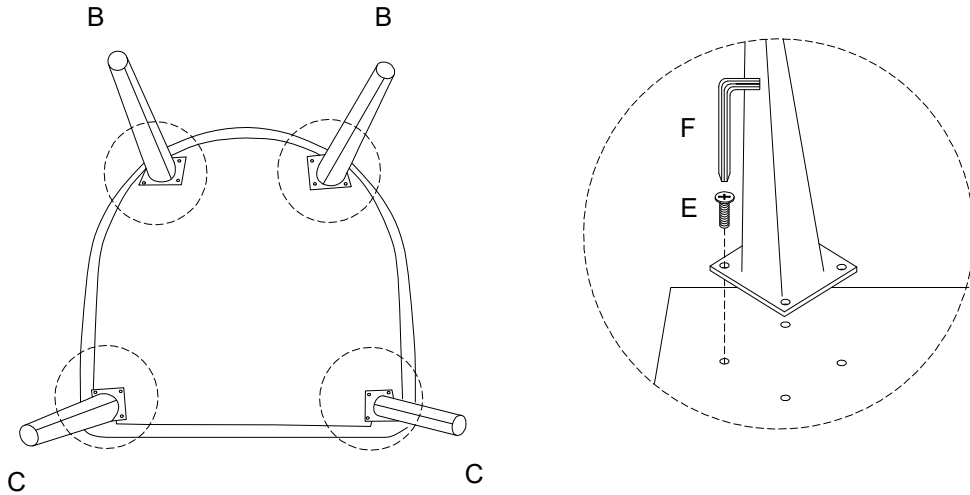
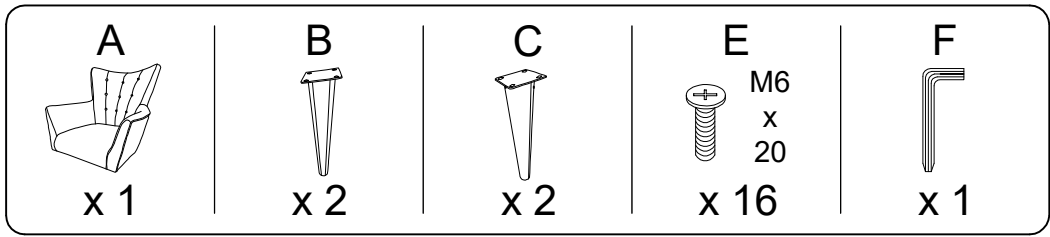
Warning 2: Do not use a screwdriver to tighten the screws. Use a block of wood (shown in a circle) to support the chair during assembly.

Time: 15'

Personnel: 1



1



2

