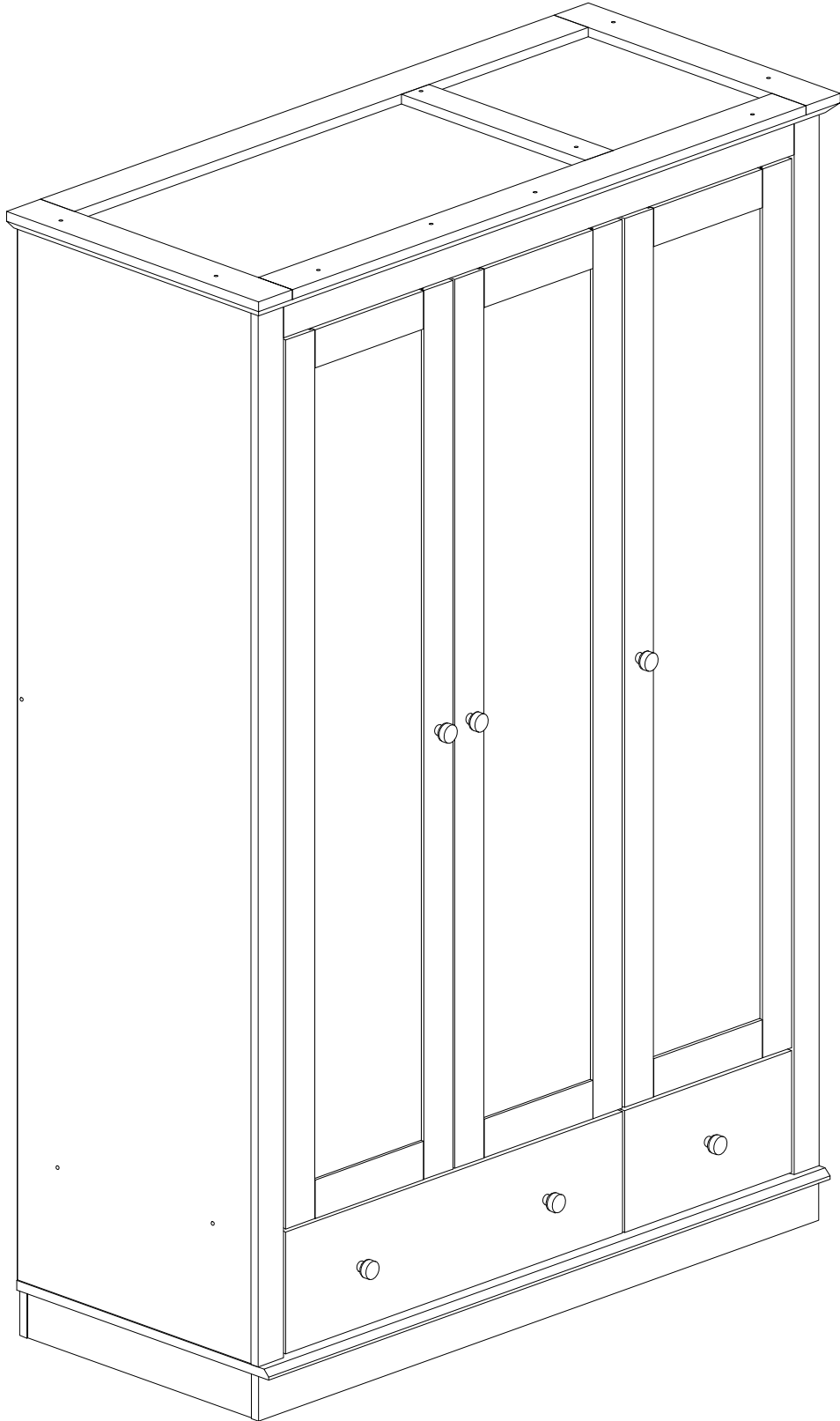


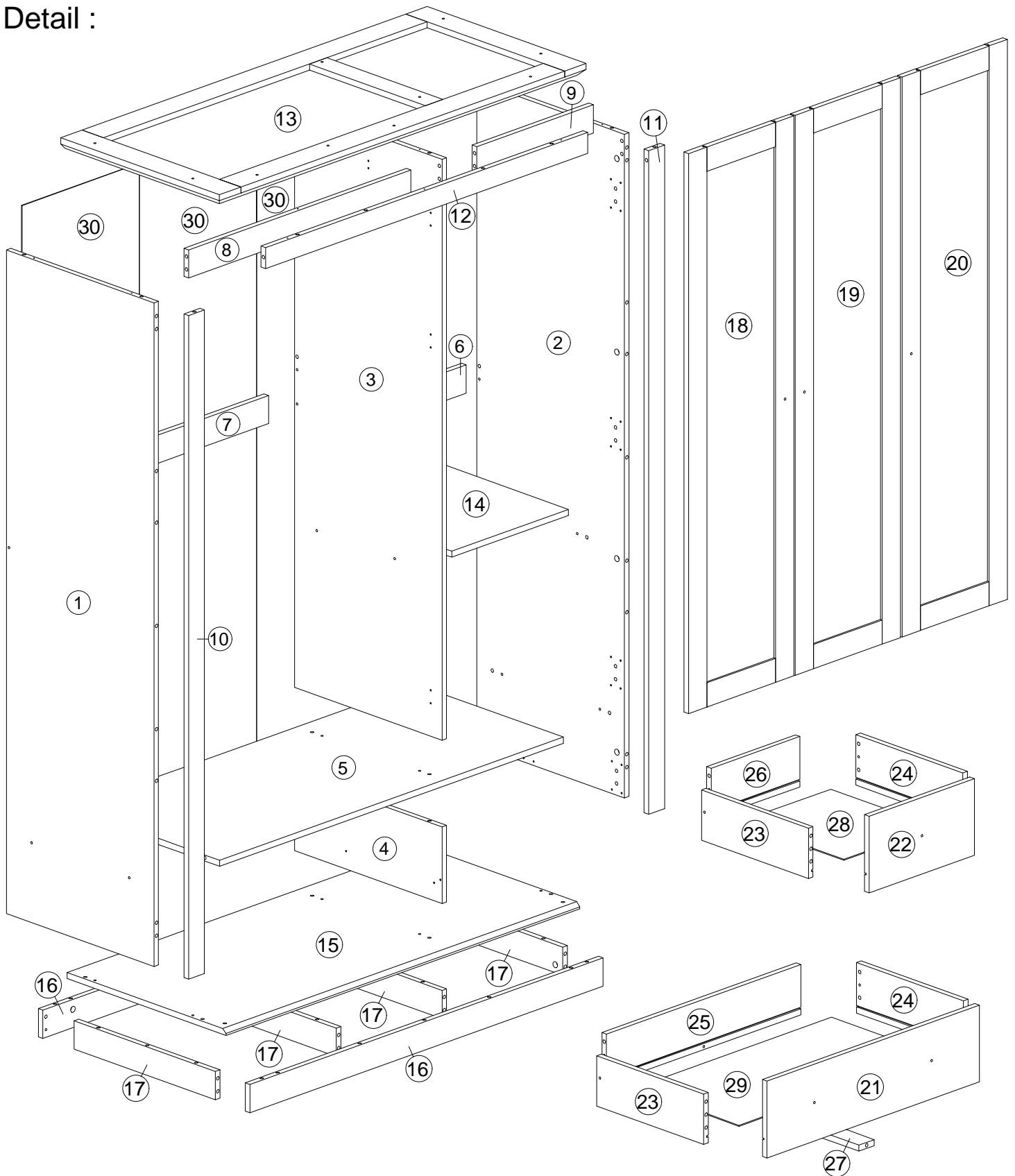
Assembly Instruction

SKU CODE : N701P249169 / N701P249170



Assembly Instruction

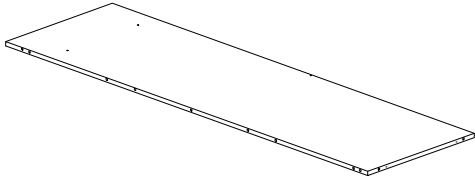
Detail :



Assembly Instruction

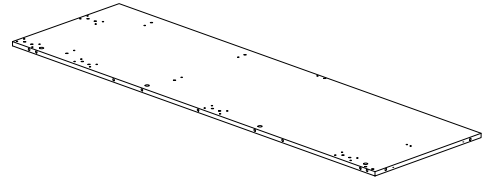
Part List (N701P249169)

① X 1



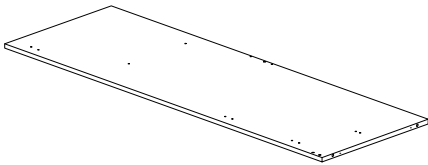
Side Panel - Left

② X 1



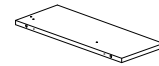
Side Panel - Right

③ X 1



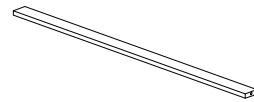
Center Panel - Big

④ X 1



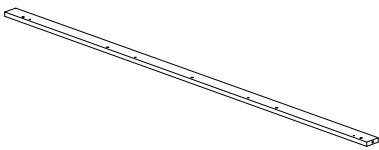
Center Panel - Small

⑫ X 1



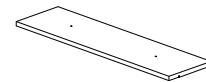
Top Support Front Panel

⑩ X 1



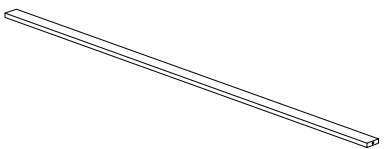
Support Panel - Left

⑳ X 1



Drawer Front Panel - Big

⑪ X 1



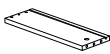
Support Panel - Right

㉒ X 1



Drawer Front Panel - Small

㉓ X 2



Drawer Side Panel - Left

㉕ X 1



Drawer Back Panel - Big

㉔ X 2



Drawer Side Panel - Right

㉖ X 1



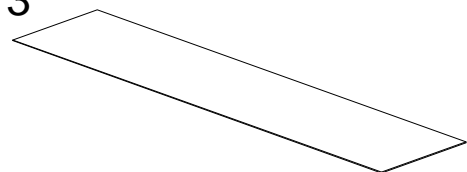
Drawer Back Panel - Small

㉗ X 1



Drawer Support Panel

㉘ X 3

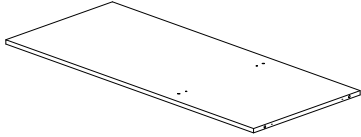


Back Panel

Assembly Instruction

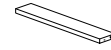
Part List (N701P249170)

⑤ X 1



Partition Panel - Big

⑥ X 1



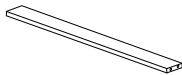
Support Panel - Right

⑦ X 1



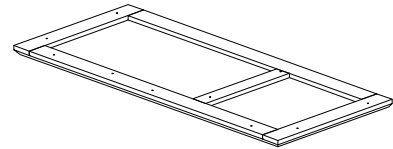
Support Panel - Left

⑧ X 1



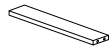
Top Support Panel - Left

⑬ X 1



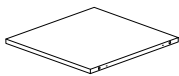
Top Panel

⑨ X 1



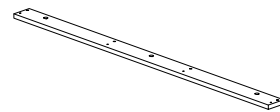
Top Support Panel - Right

⑭ X 1



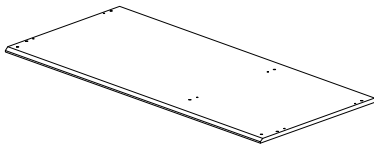
Partition Panel - Small

⑯ X 2



Bottom Support Panel - Front & Back

⑮ X 1



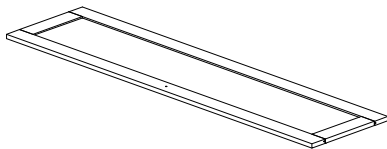
Bottom Panel

⑰ X 4



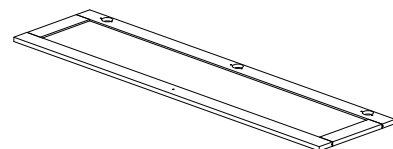
Bottom Support Panel - Left & Right & Center

⑱ X 1



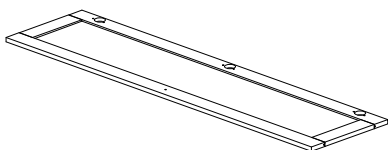
Door Panel - Left

⑲ X 1



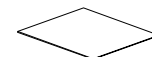
Door Panel - Center

⑳ X 1



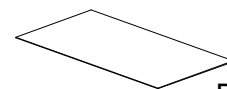
Door Panel - Right

㉘ X 1



Drawer Bottom Panel - Small

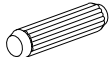
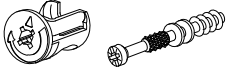
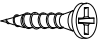

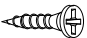




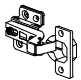
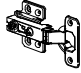





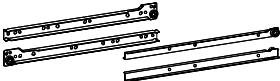



㉙ X 1



Drawer Bottom Panel - Big



Assembly Instruction

Hardware List (N701P249170)

No.	SHAPE	DESCRIPTION	Qty.
A		8x25mm Dowel (Wood)	96Pcs
B		15mm Myfix Minifix	31Sets
C		M3.5x16mm Screw	50Pcs
D		M4x45mm Screw	25Pcs
E		M3.5x12mm Screw	6Pcs
F		M4x65mm Screw	10Pcs
G		V Bracket	4Pcs
H		Oil Cup Shaped Single Handle	6Pcs
I		M4x22mm Handle Screw	6Pcs
J		Hinges 7/8	6Pcs
K		Hinges 2/8	3Pcs
L		ABS Drawer Pin Black 4 Pin	10Pcs
M		M4x20mm Screw	40Pcs
N		M4x25mm Screw	30Pcs
O		5/8 Nail With Pin	8Pcs
P		6/8 Power Pin	45Pcs
Q		Drawer Slide (350mm)	2Sets
R		Aluminium Pipe(721mm)	1Pc
S		Aluminium Pipe(375mm)	1Pc
T		Sticker	8Pcs

Assembly Instruction

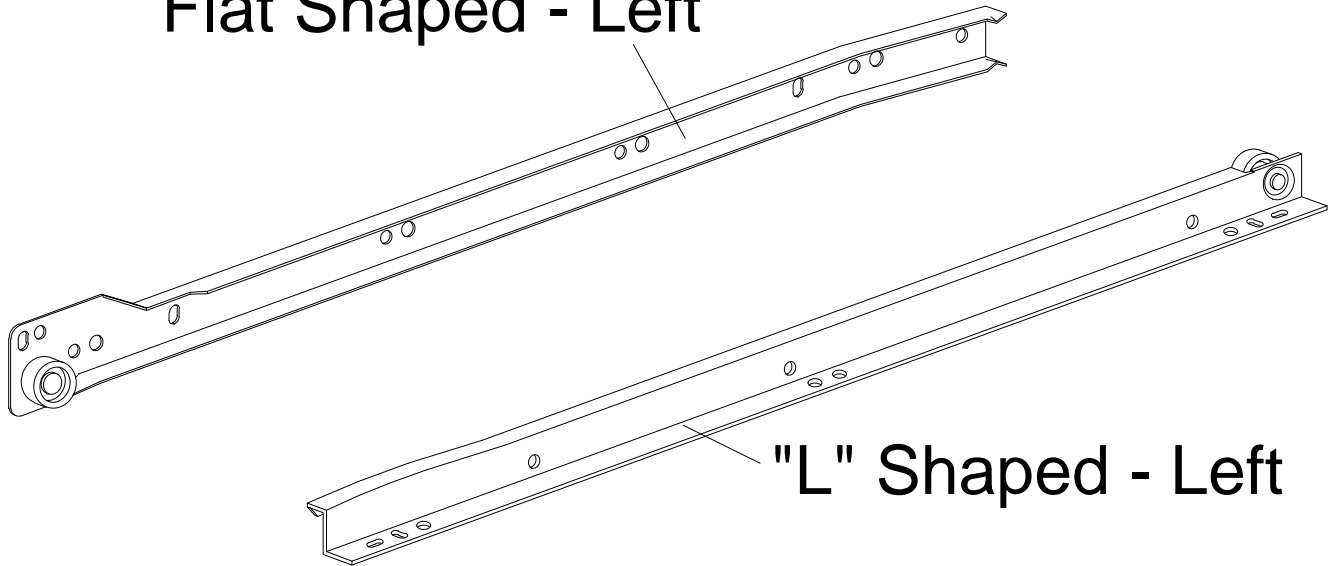
Anti Tipping Hardware (N701P249170)

No.	SHAPE	DESCRIPTION	Qty.
a		Mounting Bracket	2Pcs
b		TP 6# x 5/8" Screw	1Pc
c		TP 8# x 2" Screw	1Pc
d		Restraint Strap	1Pc

Assembly Instruction

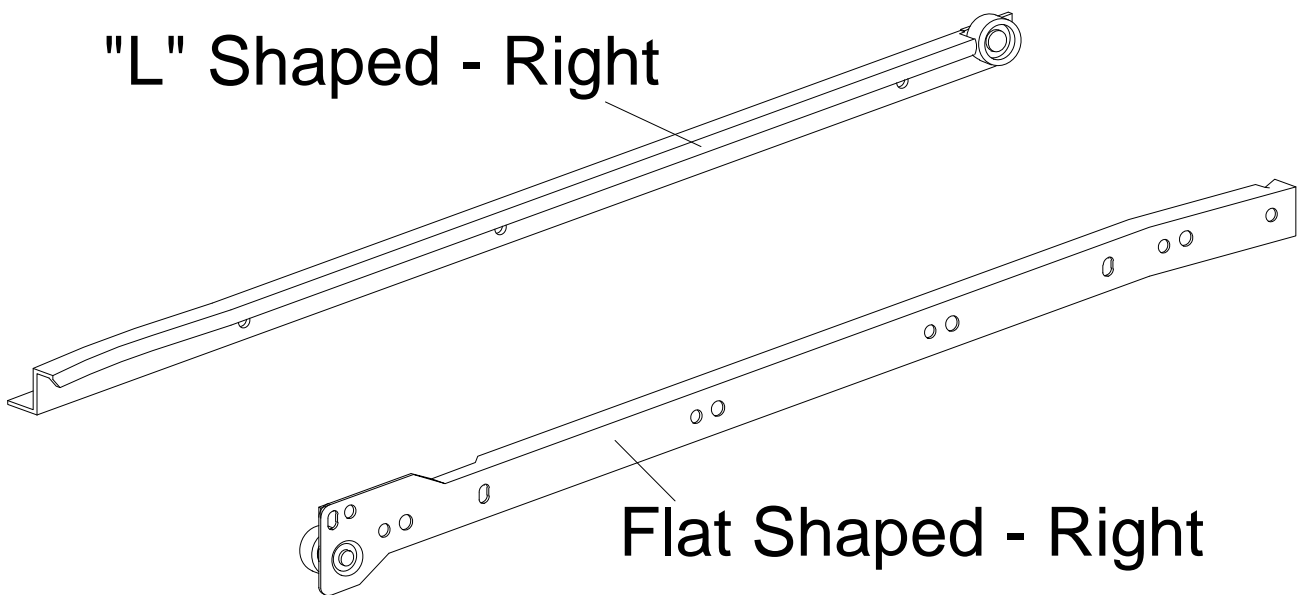
Left Drawer Silde (Q)

Flat Shaped - Left



Right Drawer Silde (Q)

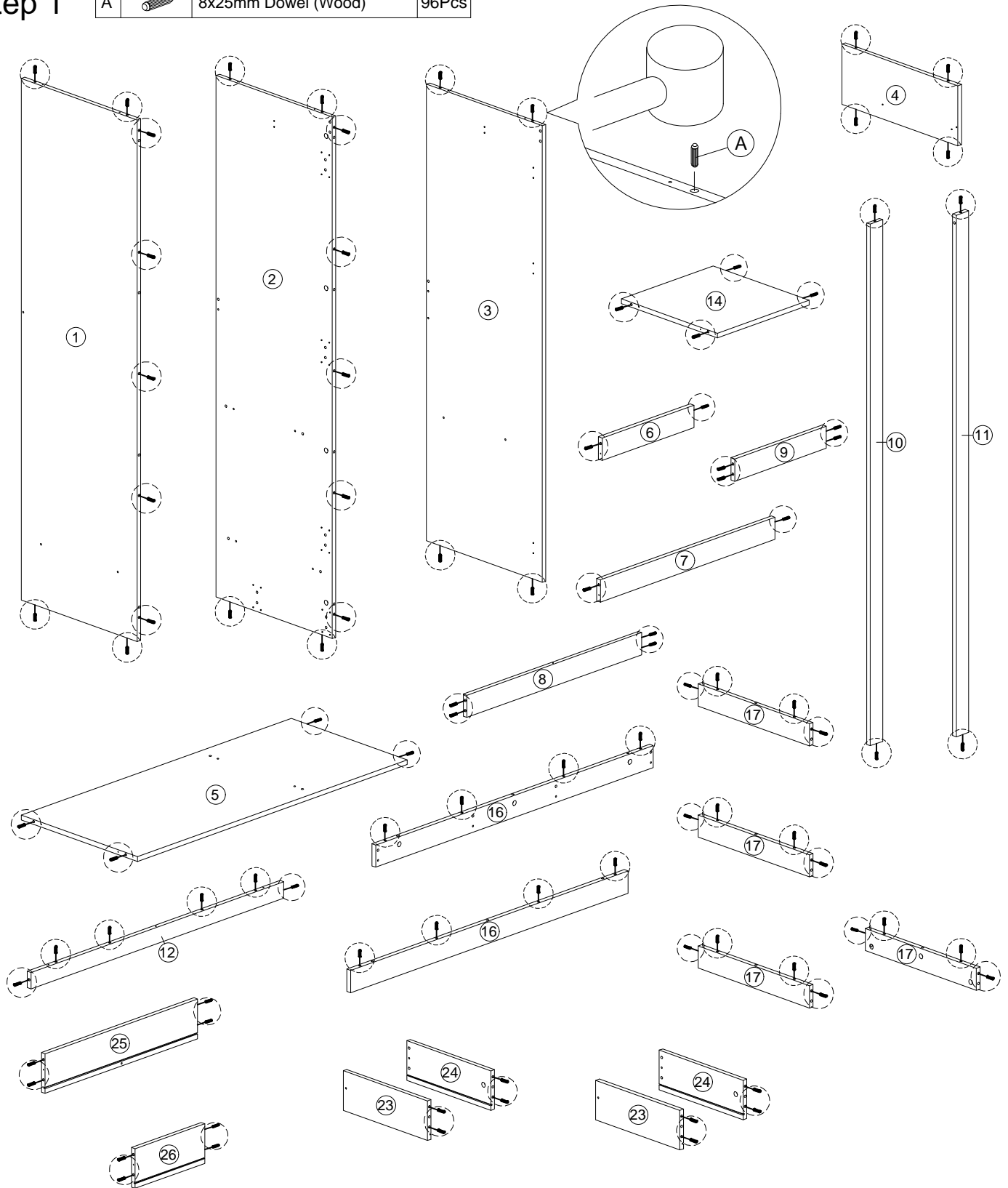
"L" Shaped - Right



Assembly Instruction

Step 1

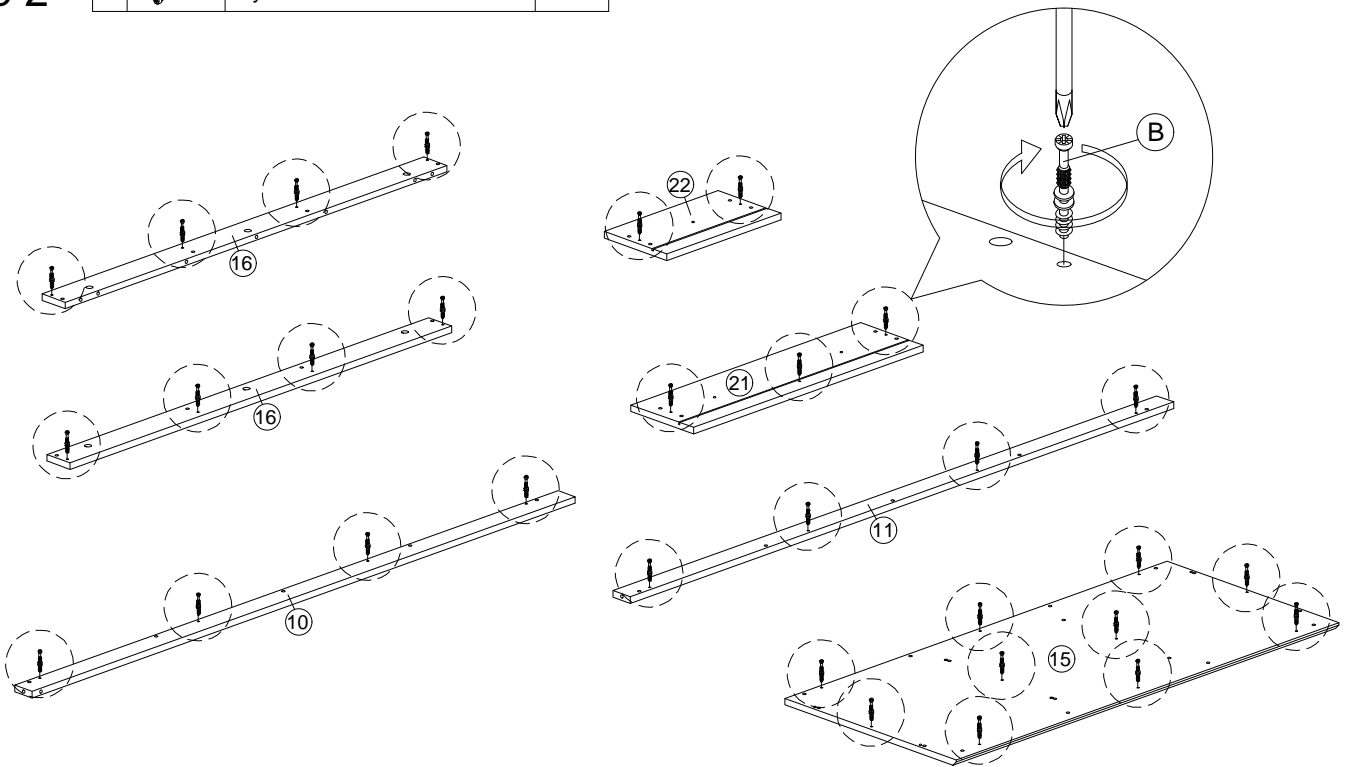
A		8x25mm Dowel (Wood)	96Pcs
---	-----------------------------------------------------------------------------------	---------------------	-------




Assembly Instruction


Step 2

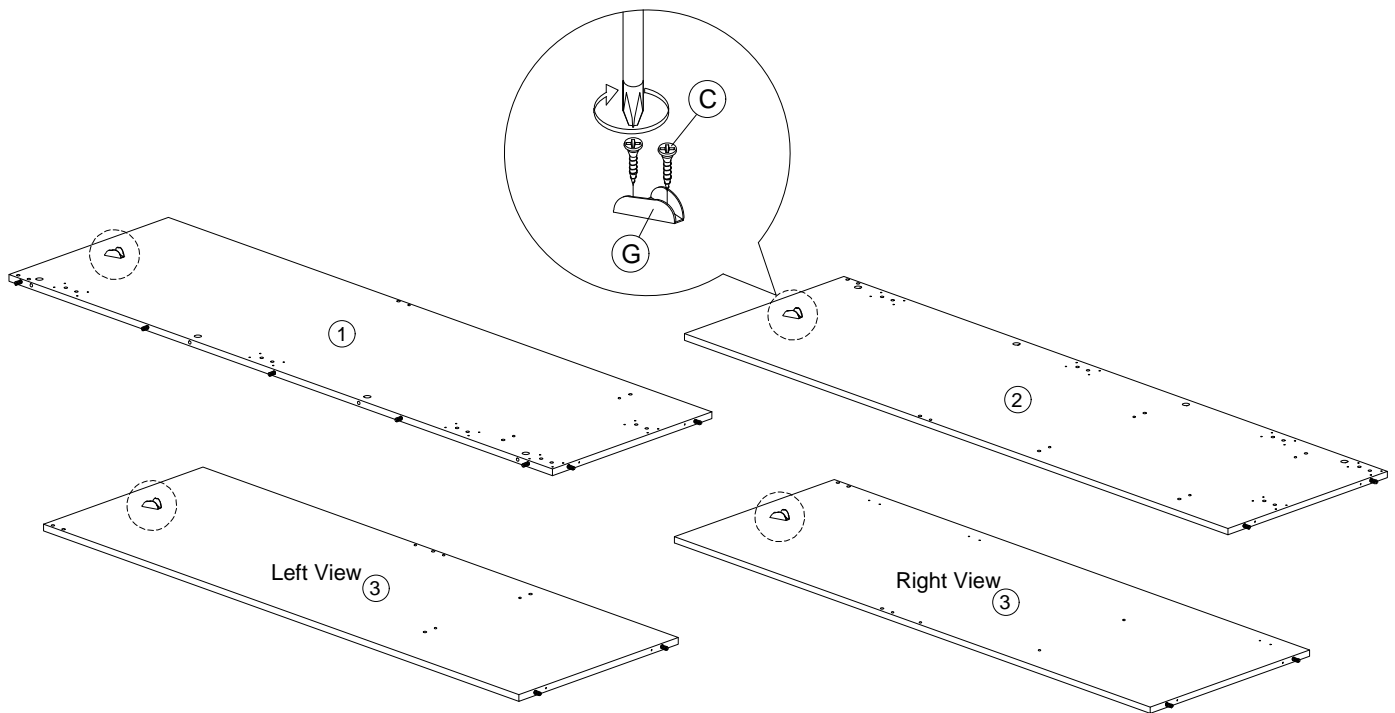
B		Myfix	31Pcs
---	-----------------------------------------------------------------------------------	-------	-------



Step 3

C		M3.5x16mm Screw	8Pcs
---	-------------------------------------------------------------------------------------	-----------------	------

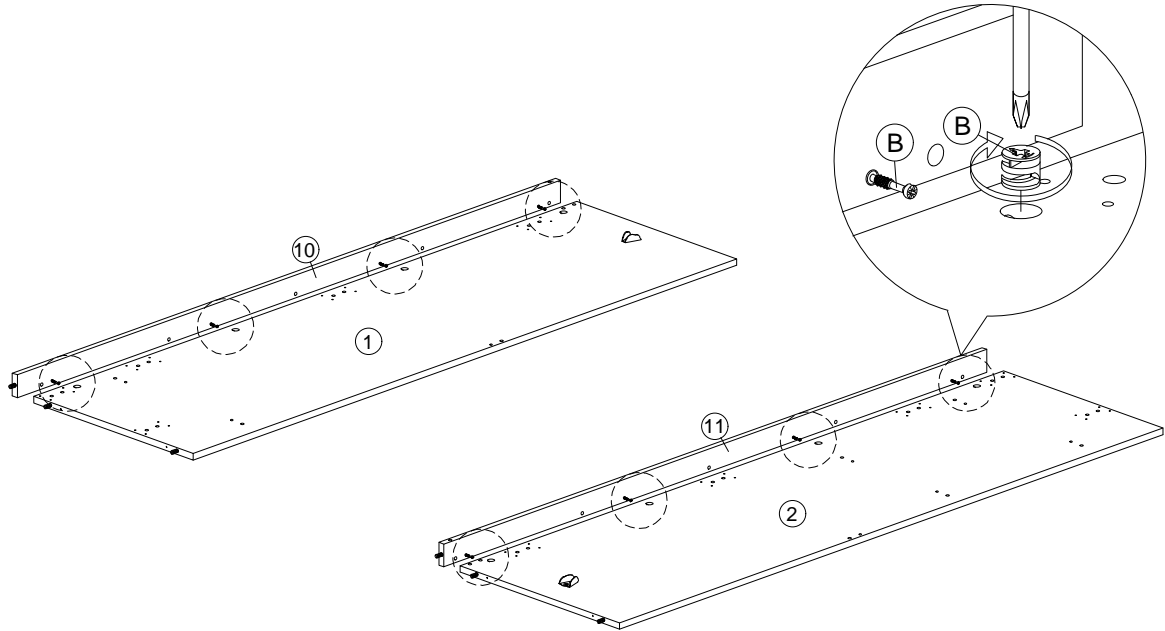
G		V Bracket	4Pcs
---	-------------------------------------------------------------------------------------	-----------	------




Assembly Instruction


Step 4

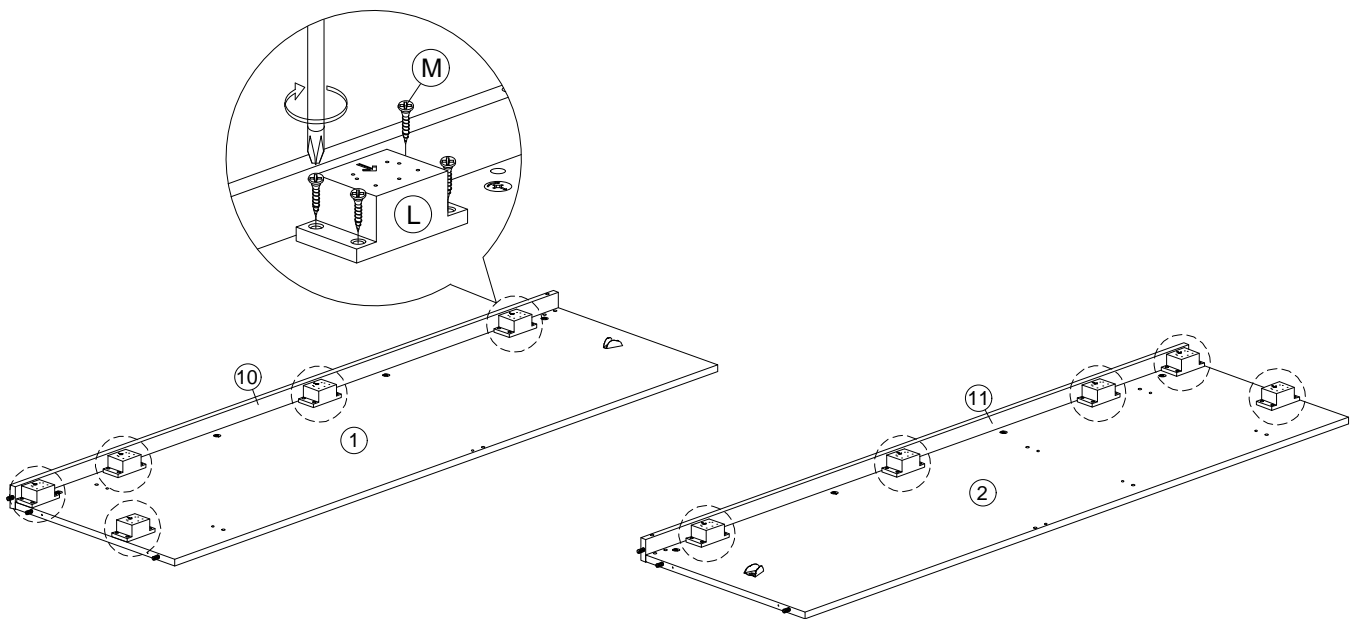
B		Minifix	8Pcs
---	-----------------------------------------------------------------------------------	---------	------



Step 5



L		ABS Drawer Pin Black 4 Pin	10Pcs
---	-------------------------------------------------------------------------------------	----------------------------	-------


M		M4x20mm Screw	40Pcs
---	-------------------------------------------------------------------------------------	---------------	-------

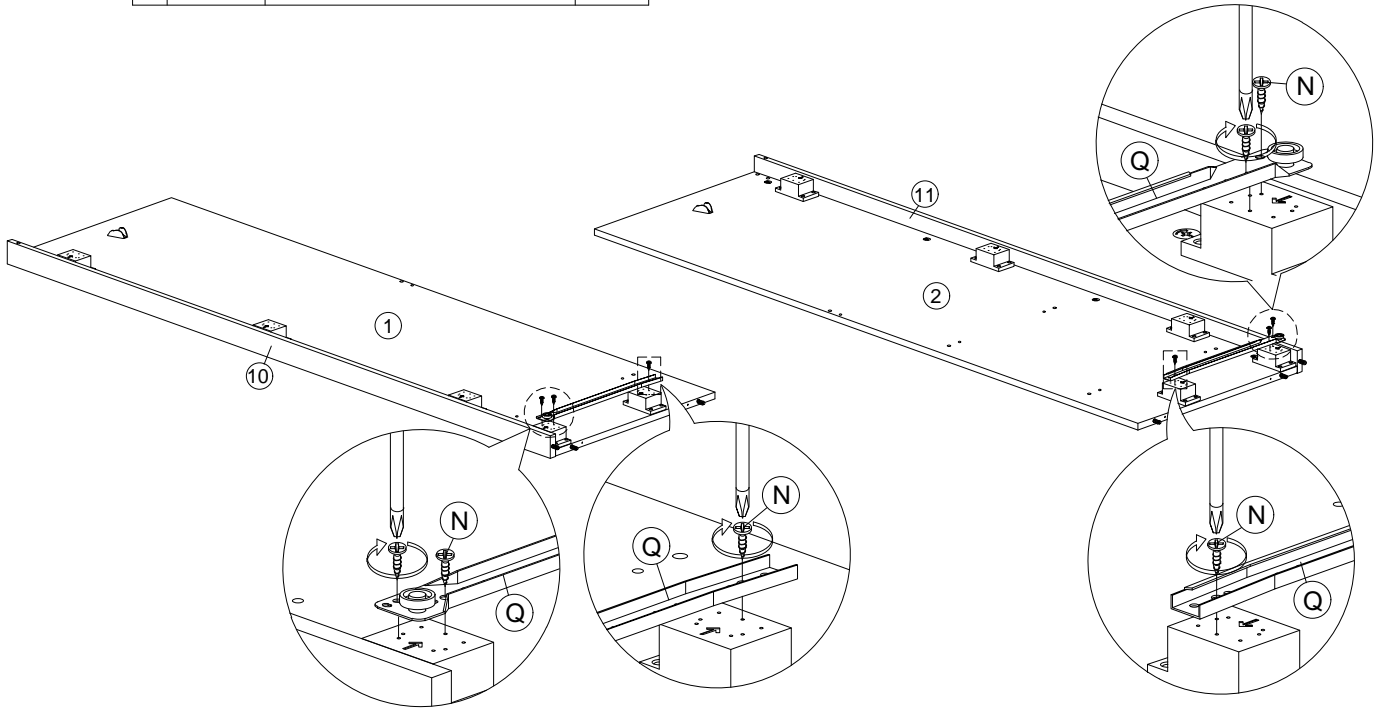


Assembly Instruction



Step 6


N		M4x25mm Screw	6Pcs
Q		Drawer Slide 350mm - R	1Pc

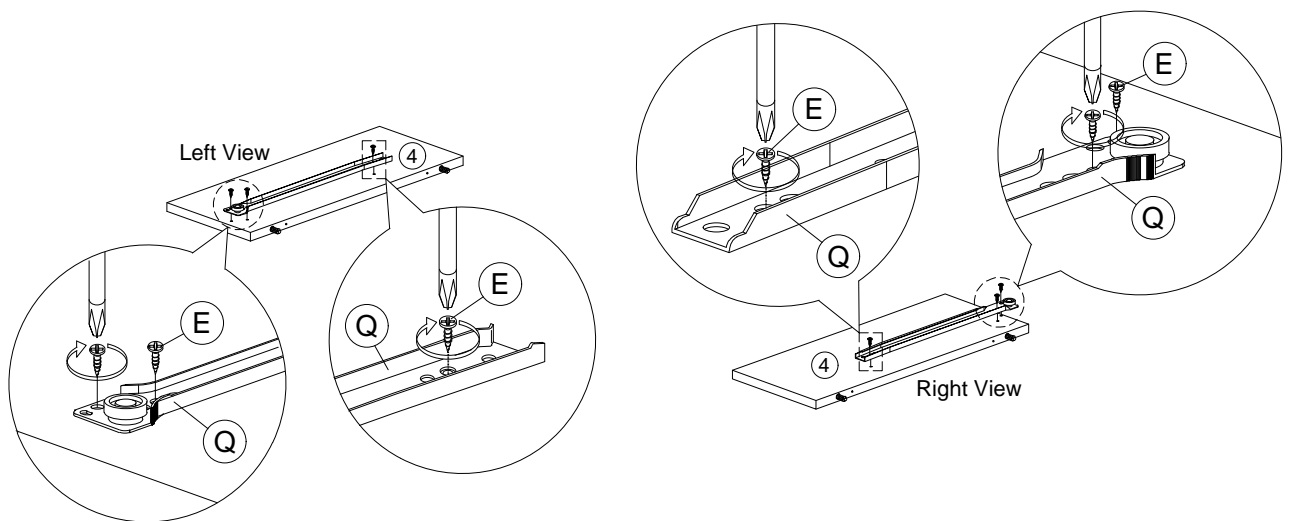
Q		Drawer Slide 350mm - L	1Pc
---	-----------------------------------------------------------------------------------	------------------------	-----



Step 7

E		M3.5x12mm Screw	6Pcs
Q		Drawer Slide 350mm - R	1Pc

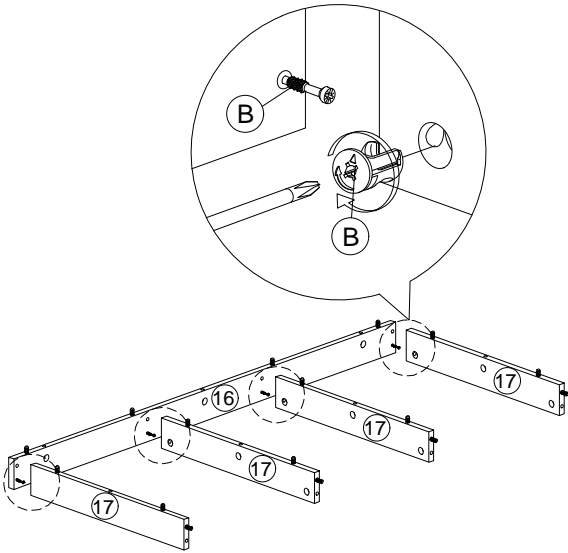
Q		Drawer Slide 350mm - L	1Pc
---	-------------------------------------------------------------------------------------	------------------------	-----



Assembly Instruction

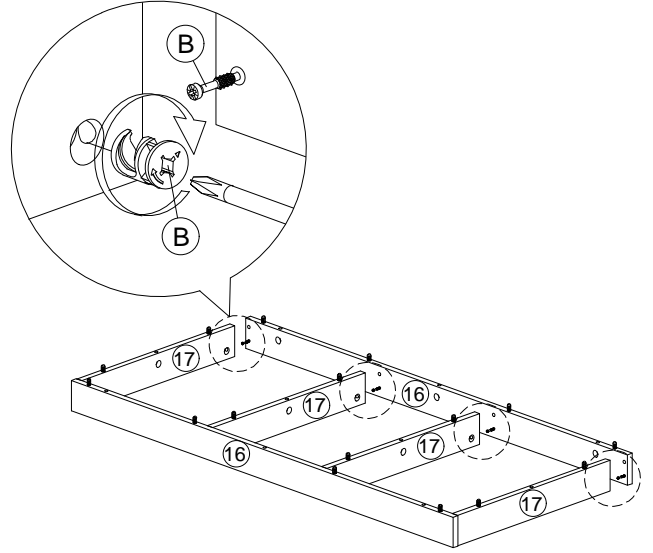
Step 8

B  Minifix 4Pcs




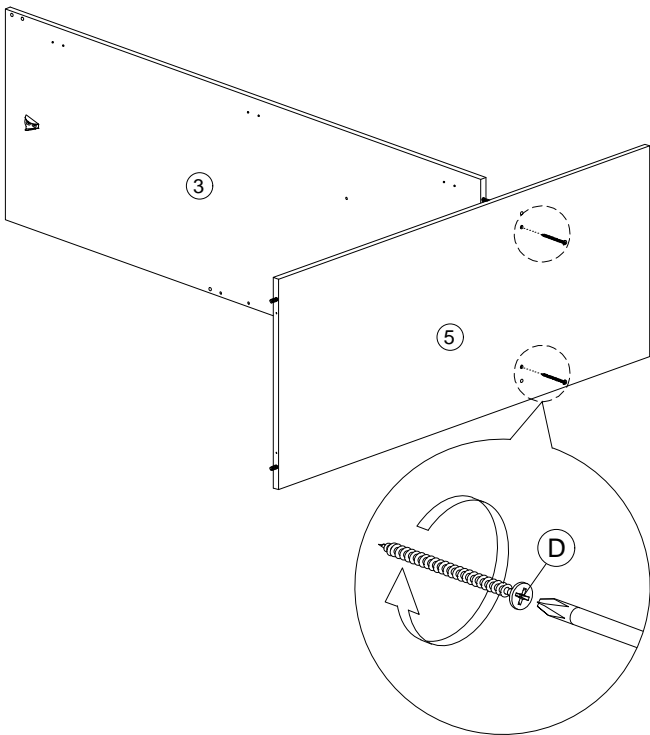
Step 9

B  Minifix 4Pcs




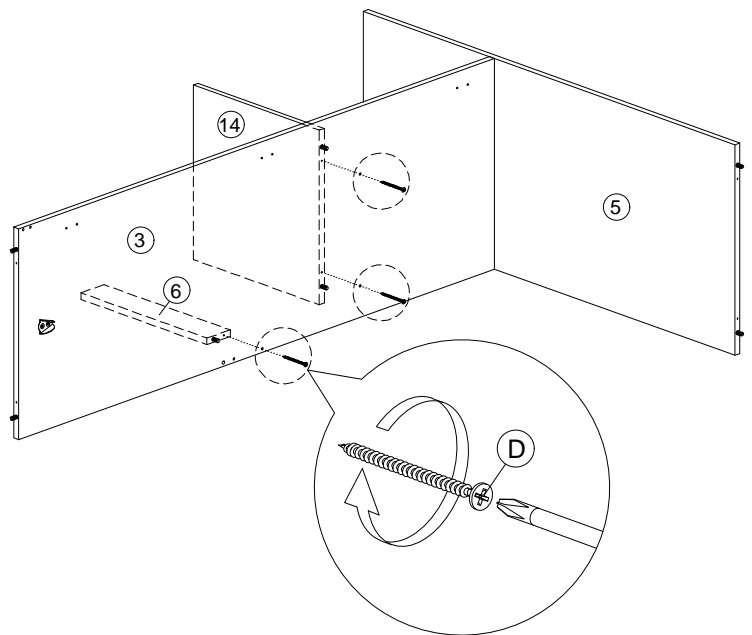
Step 10

D  M4x45mm Screw 2Pcs




Step 11

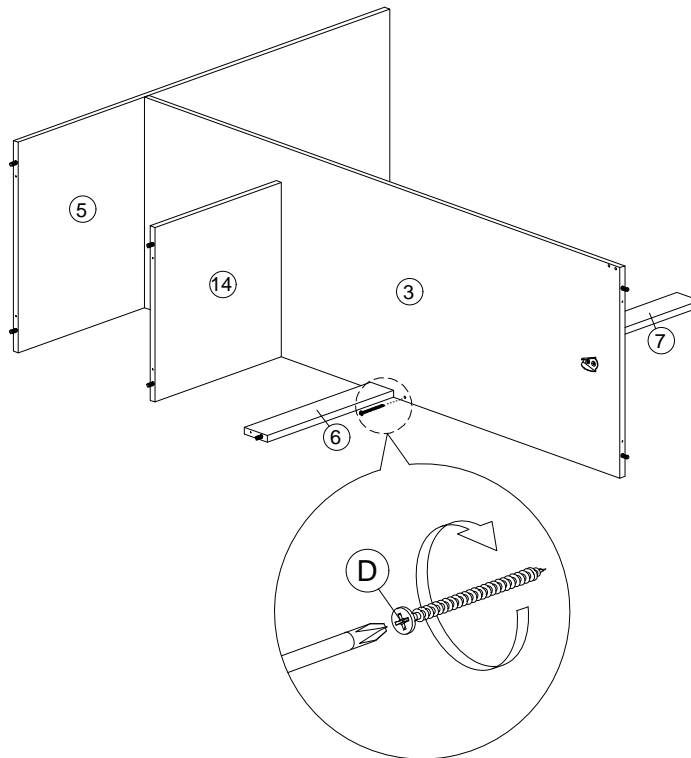
D  M4x45mm Screw 3Pcs




Assembly Instruction


Step 12

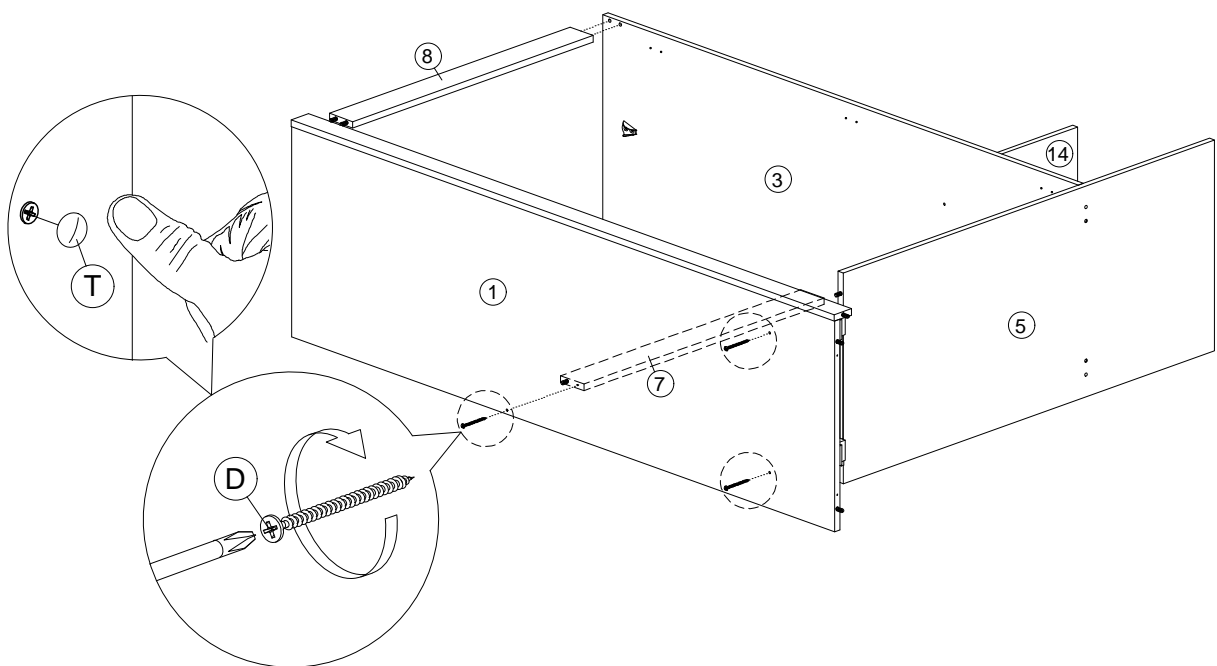
D		M4x45mm Screw	1Pc
---	-----------------------------------------------------------------------------------	---------------	-----



Step 13


D		M4x45mm Screw	3Pcs
---	-------------------------------------------------------------------------------------	---------------	------

T		Sticker	3Pcs
---	-------------------------------------------------------------------------------------	---------	------

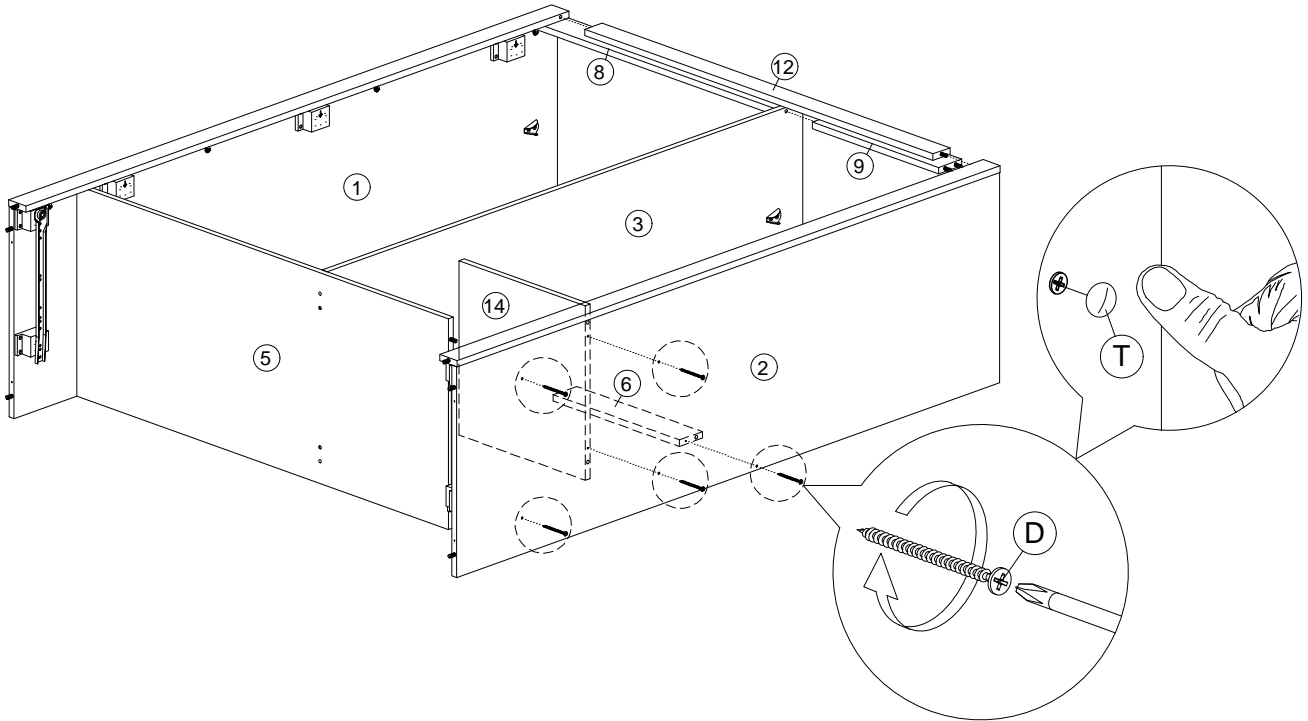


Assembly Instruction


Step 14

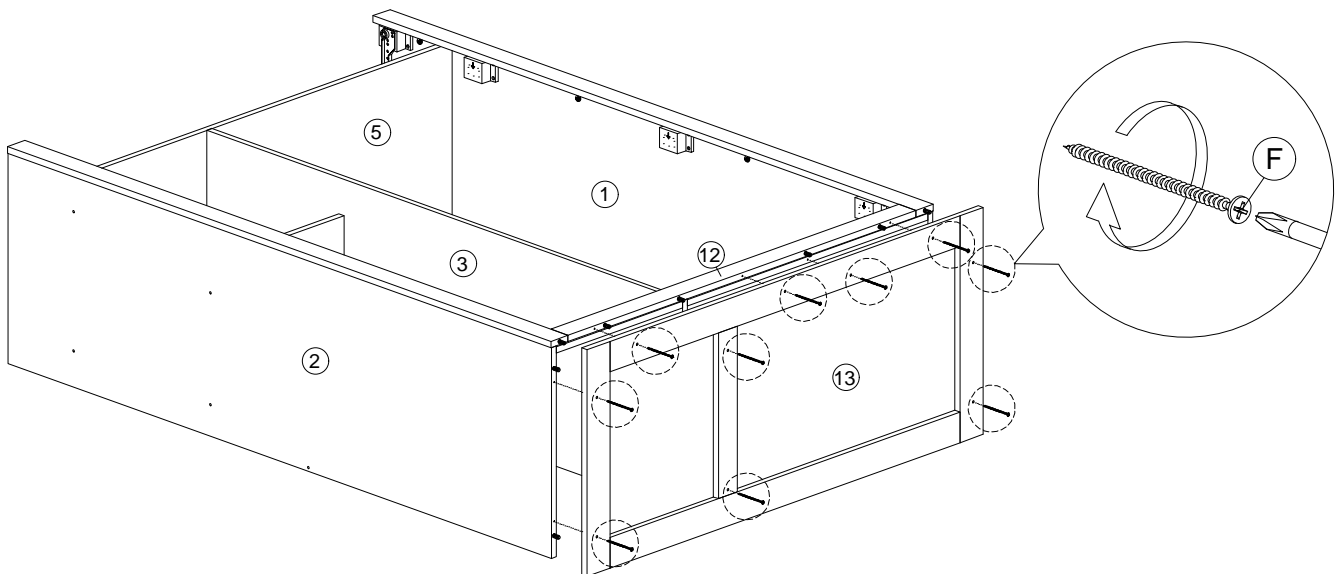
D  M4x45mm Screw 5Pcs

T  Sticker 5Pcs



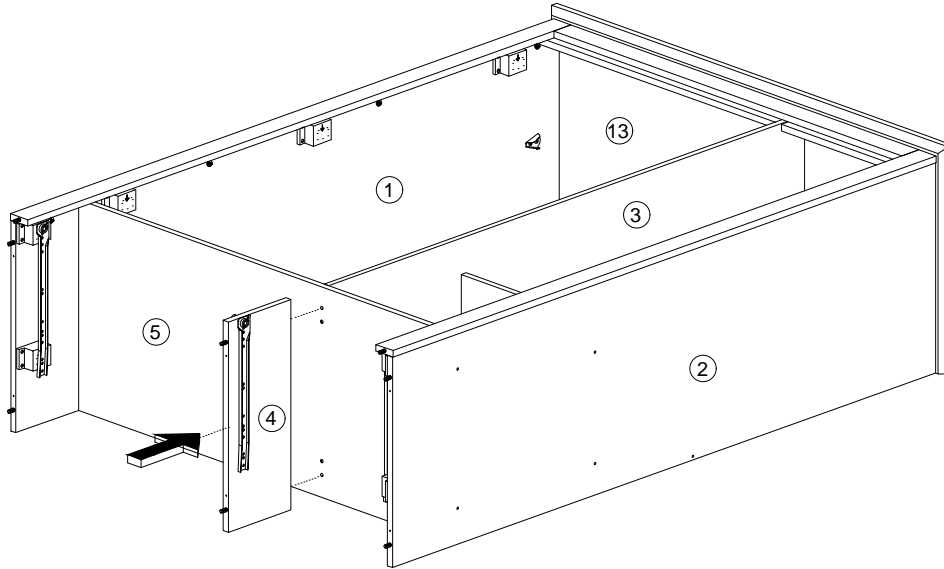
Step 15

F  M4x65mm Screw 10Pcs




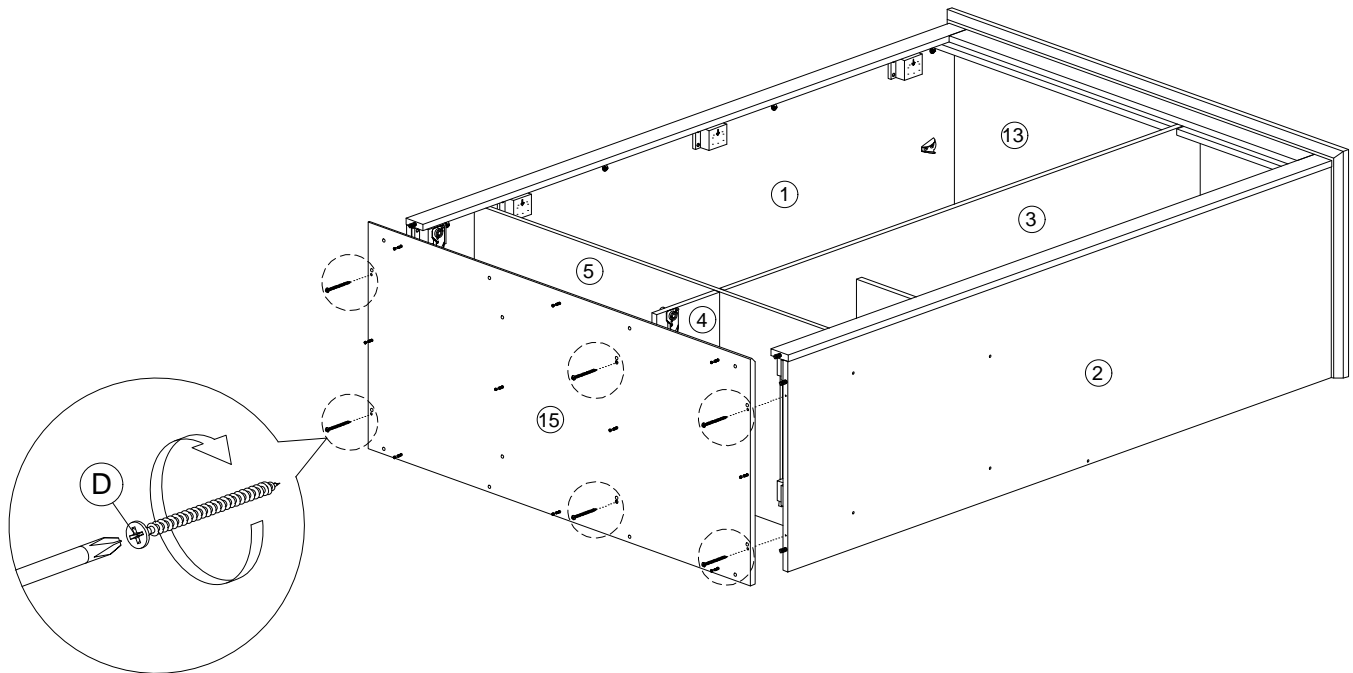
Assembly Instruction

Step 16



Step 17

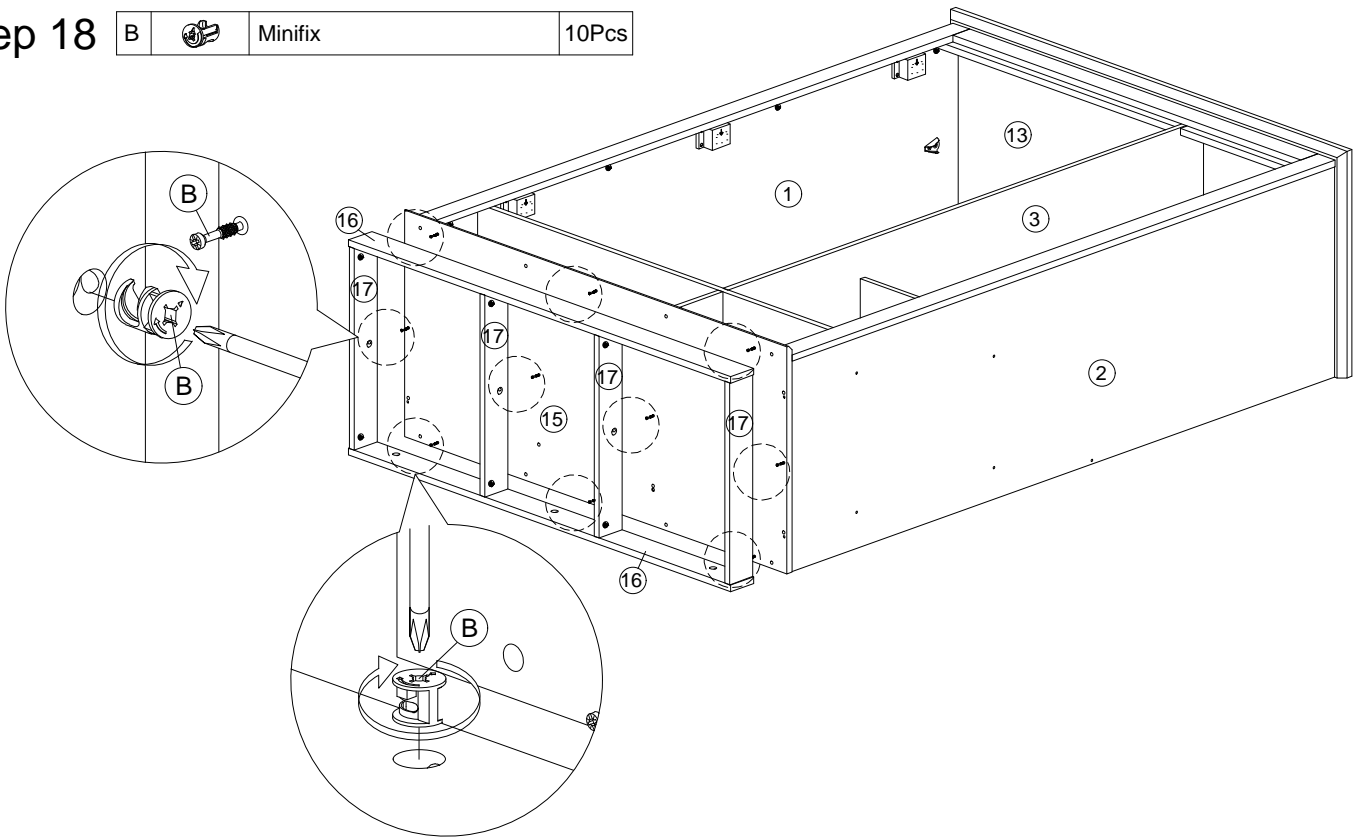
D		M4x45mm Screw	6Pcs
---	-------------------------------------------------------------------------------------	---------------	------




Assembly Instruction

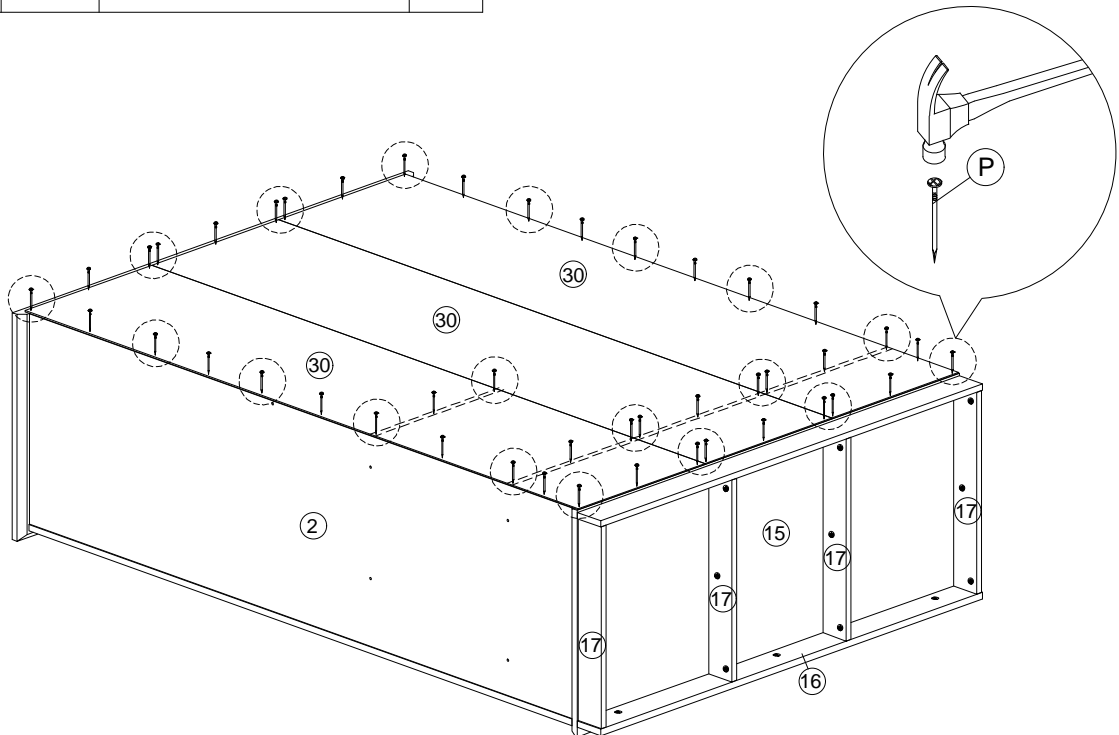
Step 18

B		Minifix	10Pcs
---	-----------------------------------------------------------------------------------	---------	-------



Step 19

P		6/8 Power Pin	45Pcs
---	-------------------------------------------------------------------------------------	---------------	-------



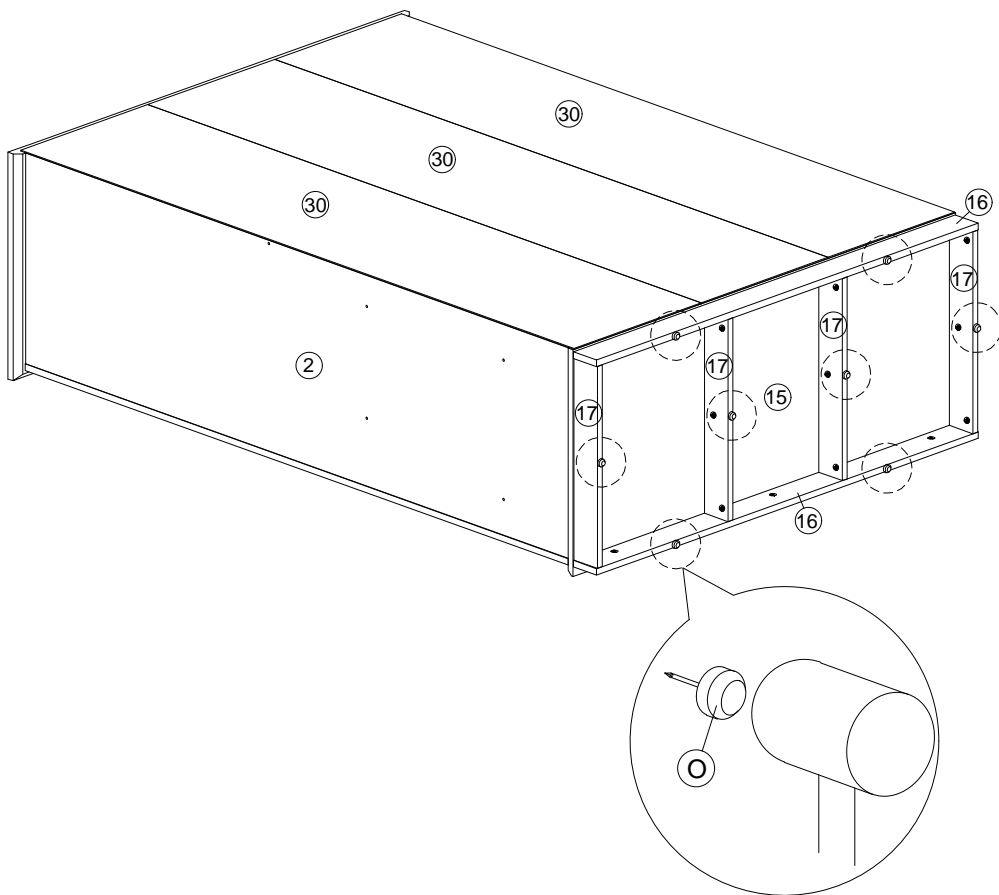
Assembly Instruction

Step 20





5/8 Nail With Pin


8Pcs

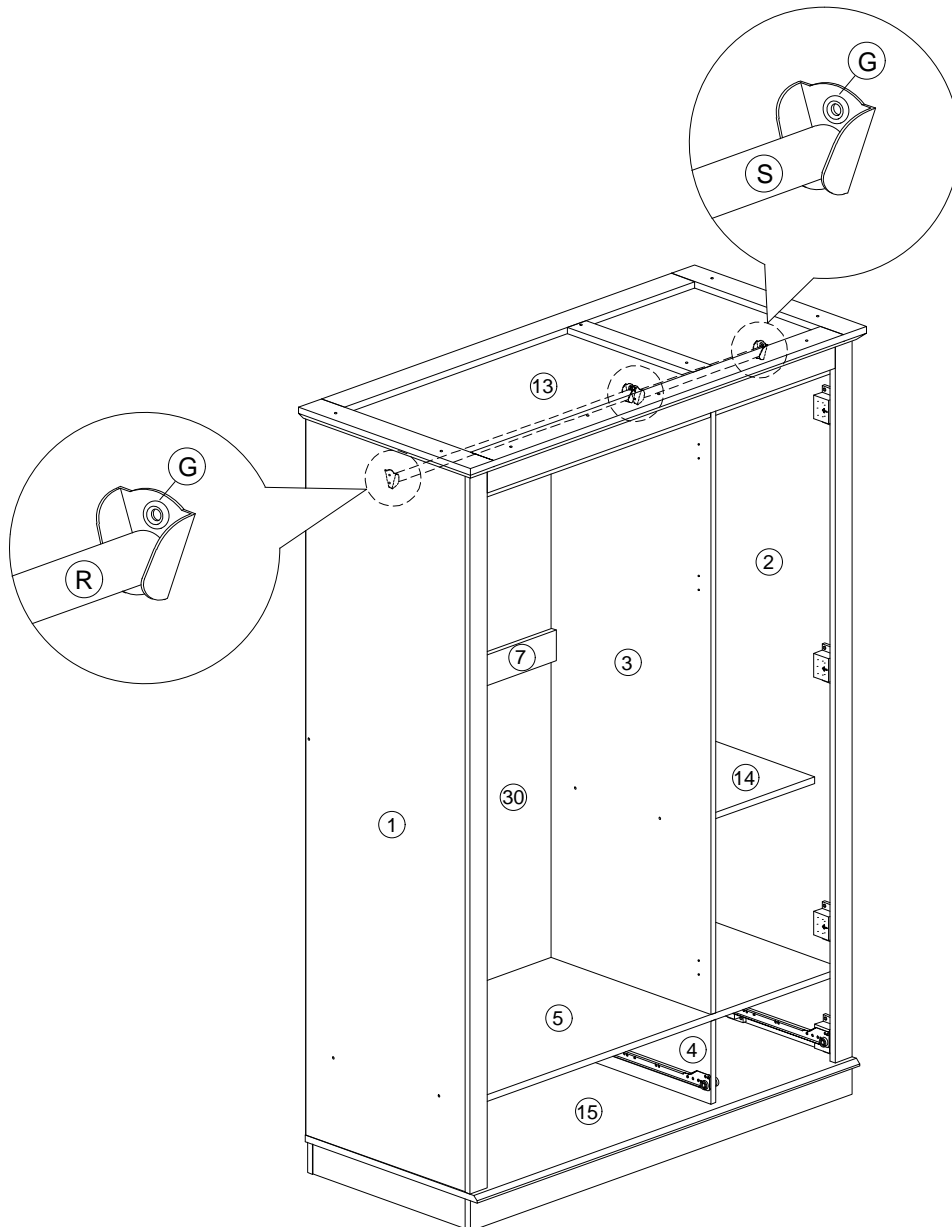


Assembly Instruction

Step 21



R		Aluminium Pipe(721mm)	1Pc
G		V Bracket	4Pcs


S		Aluminium Pipe(375mm)	1Pc
---	-----------------------------------------------------------------------------------	-----------------------	-----

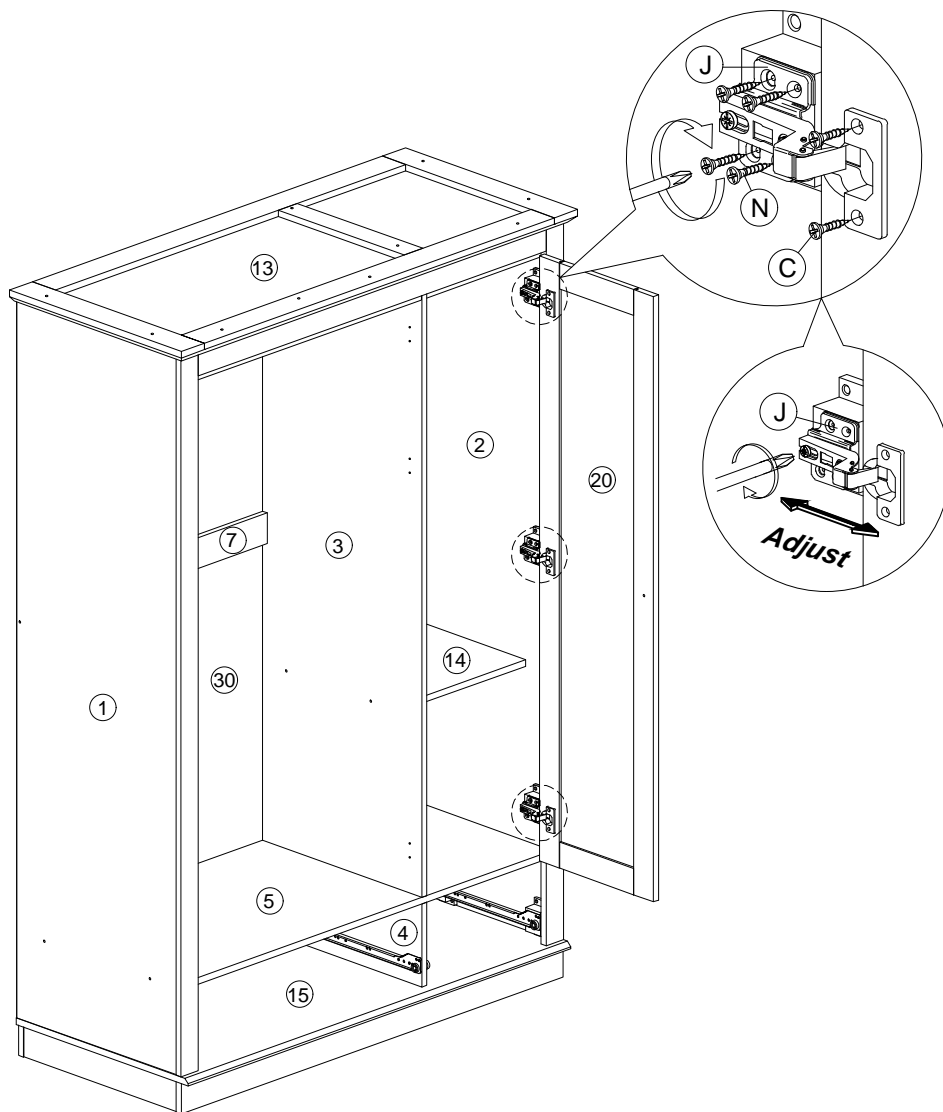


Assembly Instruction

Step 22

C		M3.5x16mm Screw	6Pcs
N		M4x25mm Screw	12Pcs

J		Hinges 7/8	3Pcs
---	-----------------------------------------------------------------------------------	------------	------



Assembly Instruction

Step 23

H



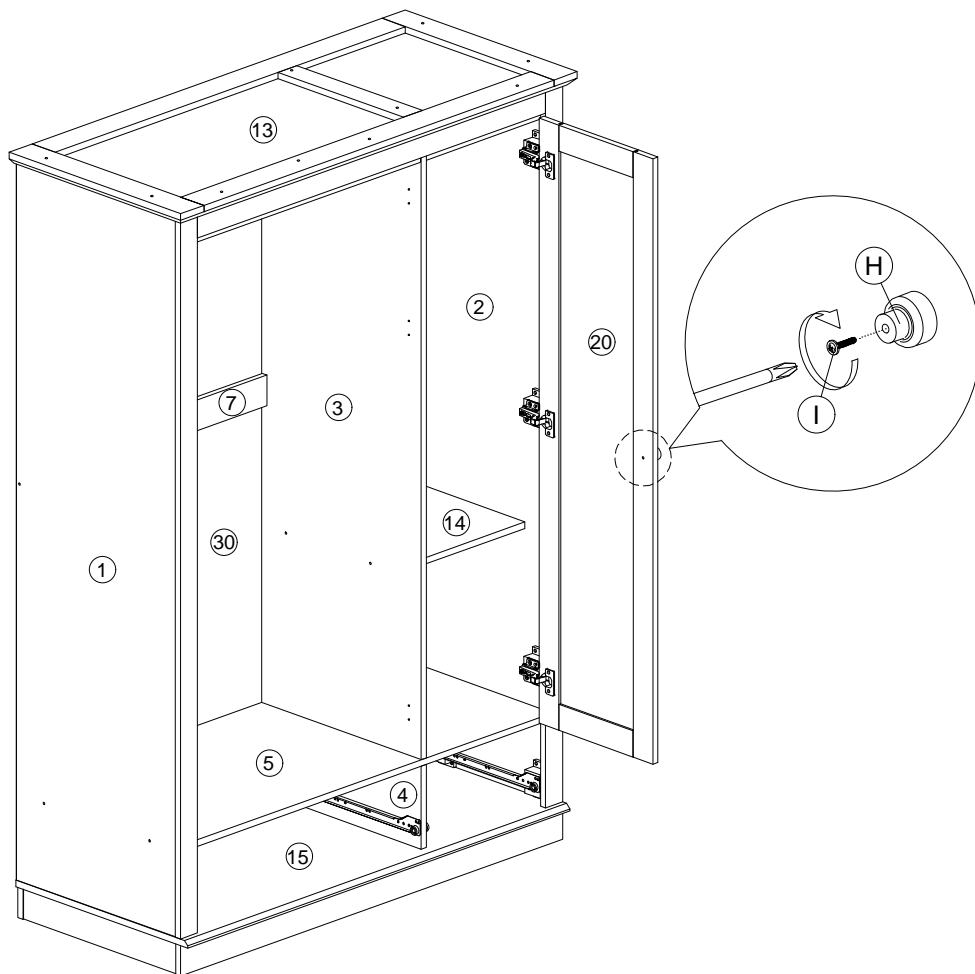
Oil Cup Shaped Single Handle 1Pc

I



M4x22mm Handle Screw 1Pc

1Pc



Assembly Instruction

Step 24

C



M3.5x16mm Screw

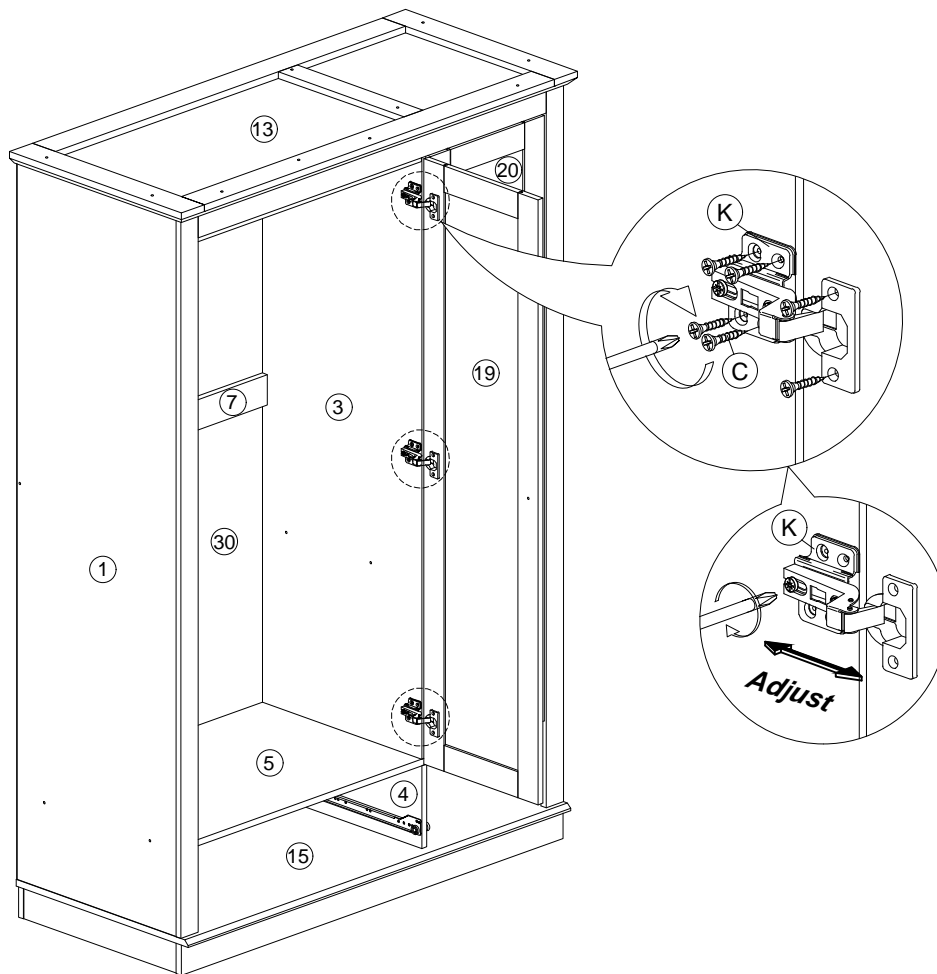
18Pcs

K



Hinges 2/8

3Pcs



Assembly Instruction

Step 25

H



Oil Cup Shaped Single Handle

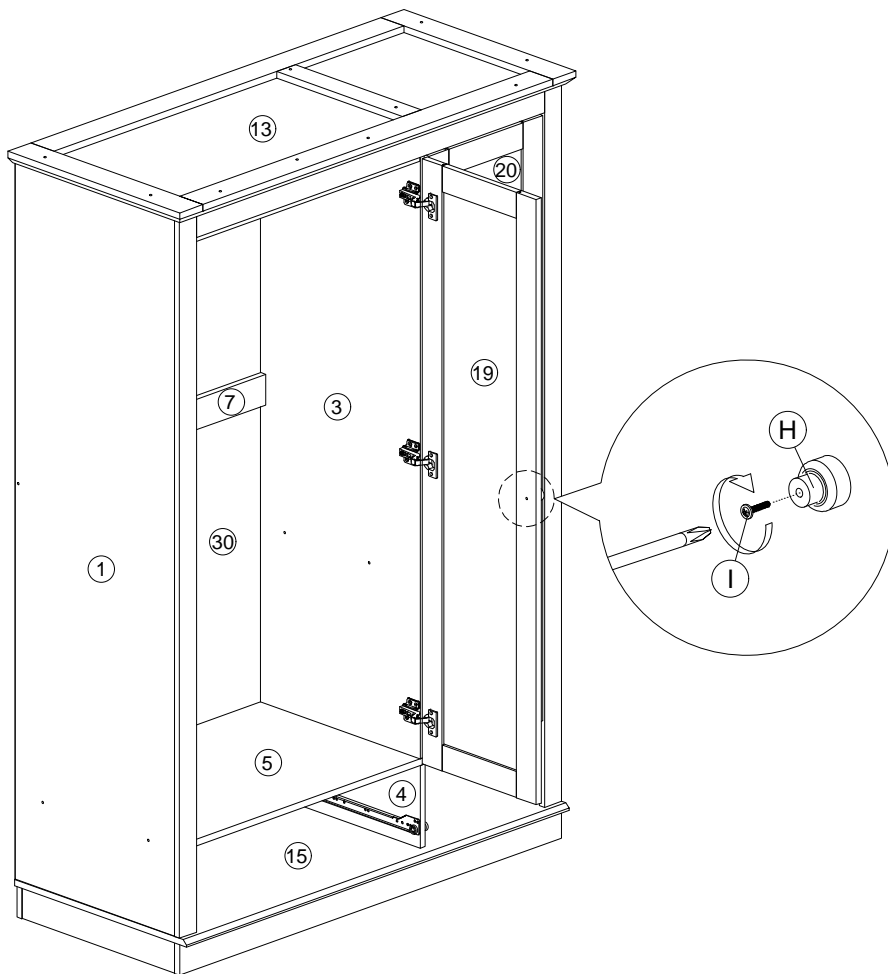
1Pc

I





M4x22mm Handle Screw


1Pc

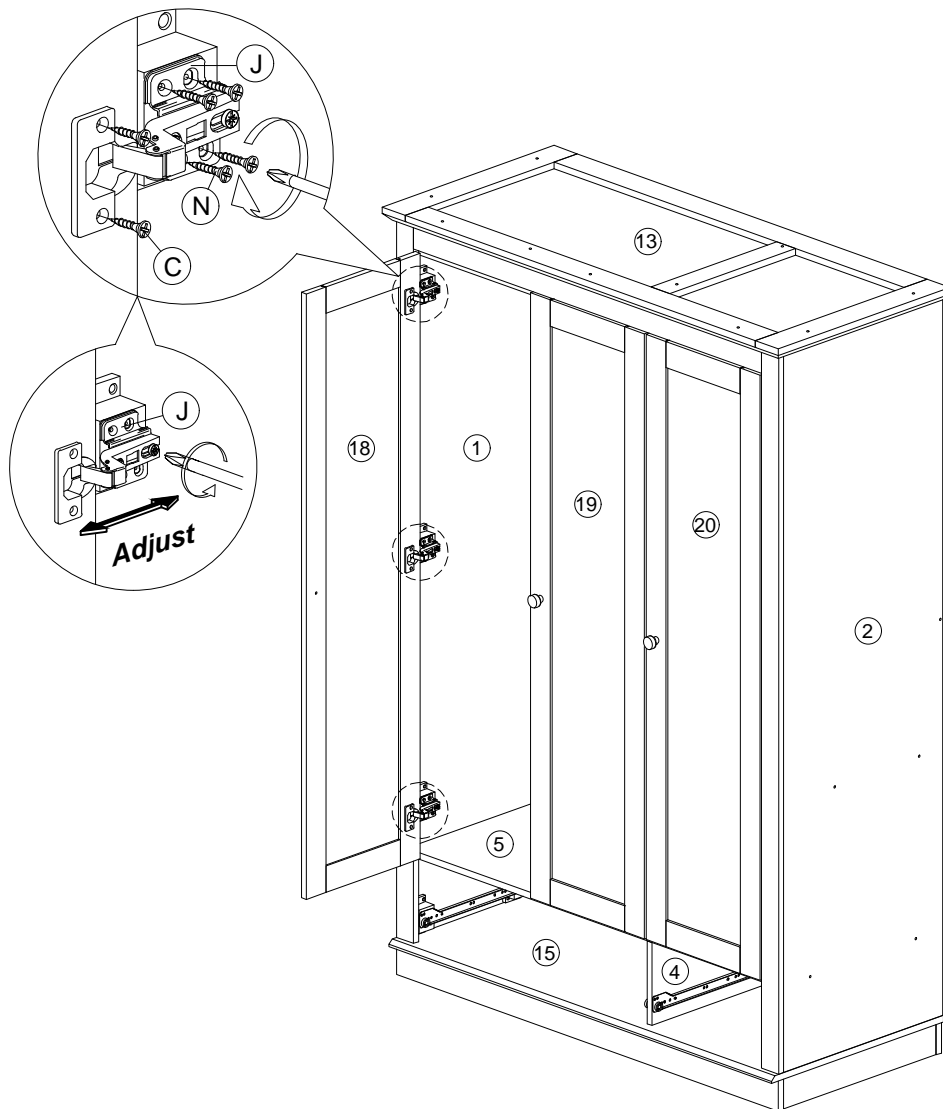


Assembly Instruction

Step 26

C		M3.5x16mm Screw	6Pcs
N		M4x25mm Screw	12Pcs

J		Hinges 7/8	3Pcs
---	-----------------------------------------------------------------------------------	------------	------



Assembly Instruction

Step 27

H



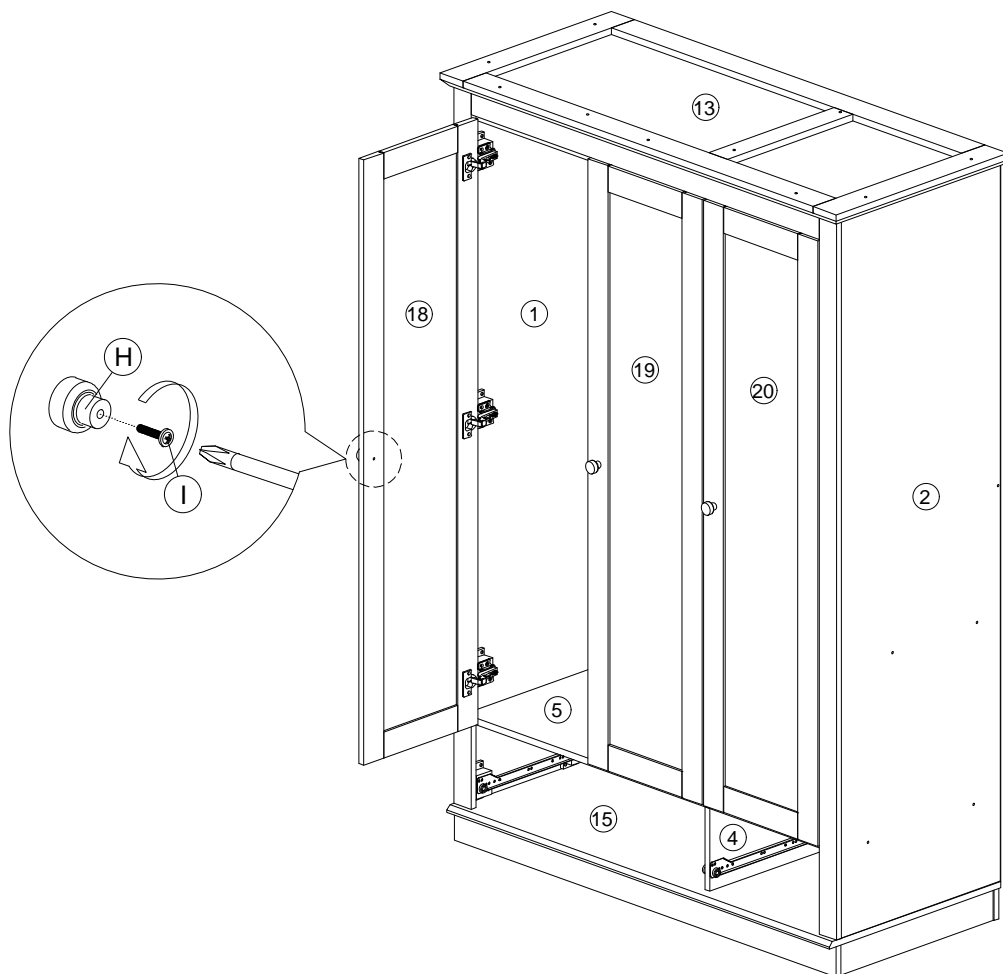
Oil Cup Shaped Single Handle 1Pc

I




M4x22mm Handle Screw 1Pc

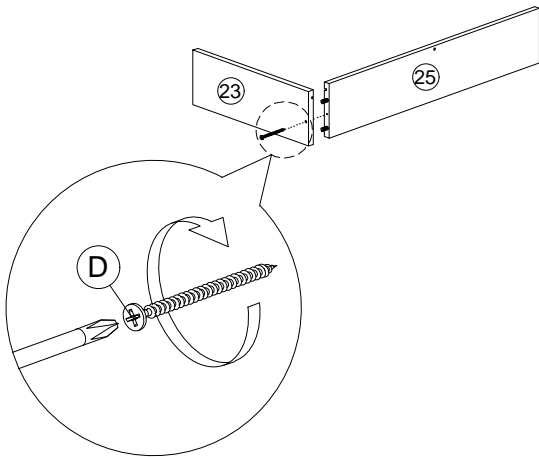
1Pc




Assembly Instruction

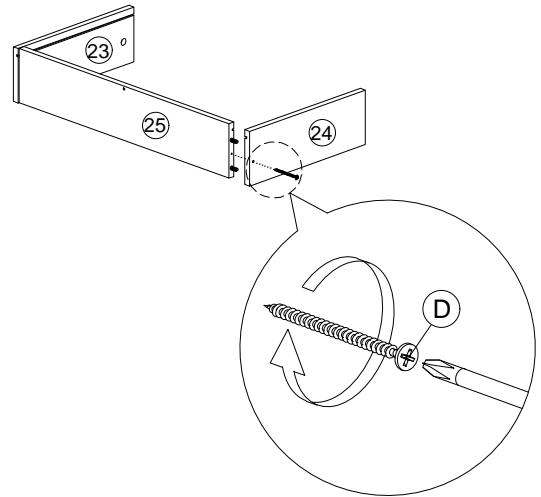
Step 28

D		M4x45mm Screw	1Pc
---	-----------------------------------------------------------------------------------	---------------	-----




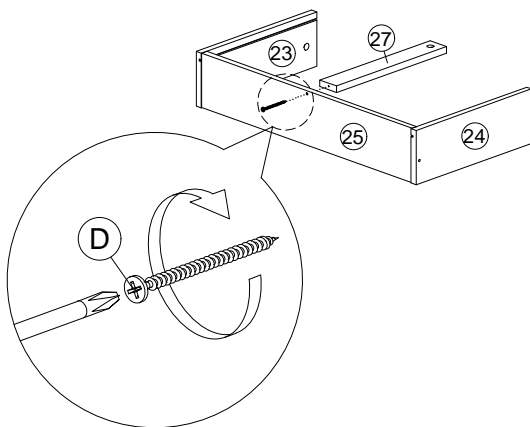
Step 29

D		M4x45mm Screw	1Pc
---	-------------------------------------------------------------------------------------	---------------	-----

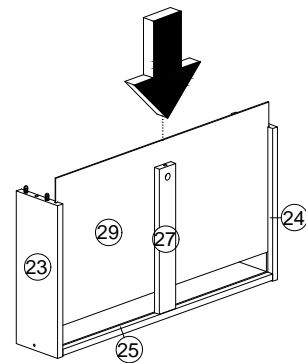


Step 30

D		M4x45mm Screw	1Pc
---	-------------------------------------------------------------------------------------	---------------	-----



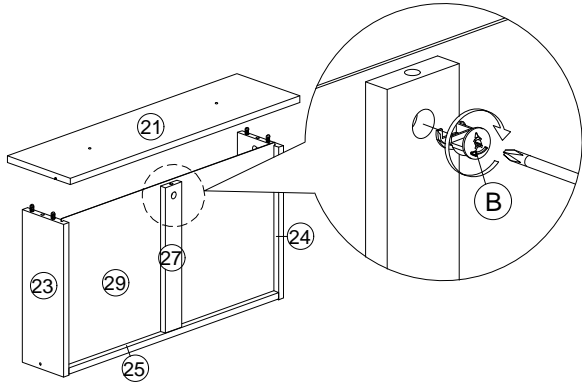
Step 31



Assembly Instruction

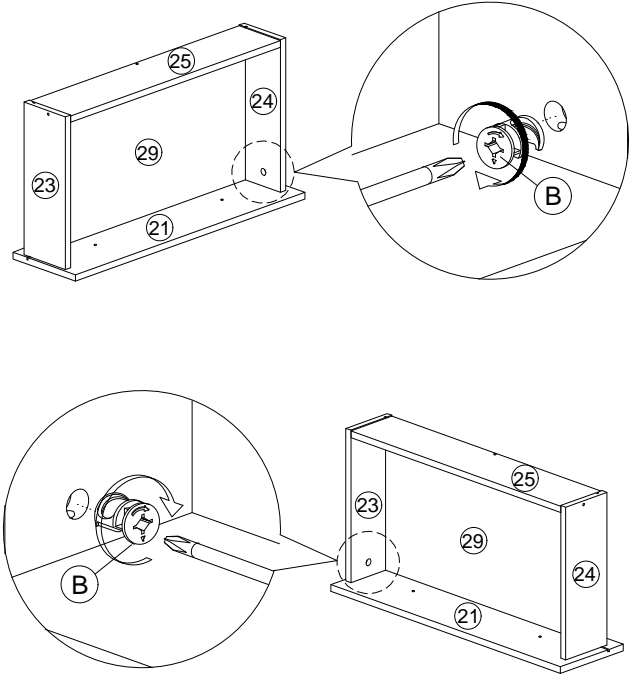
Step 32

B		Minifix	1Pc
---	-----------------------------------------------------------------------------------	---------	-----





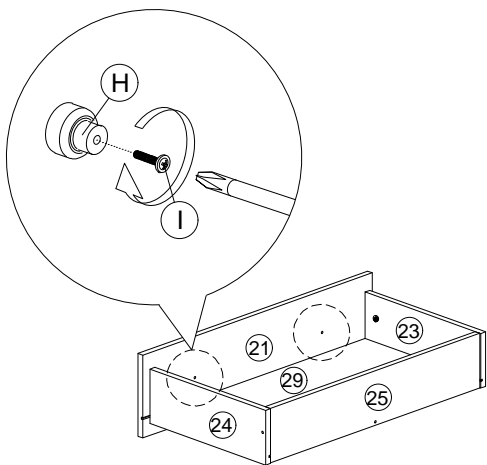
Step 33

B		Minifix	2Pcs
---	-------------------------------------------------------------------------------------	---------	------

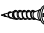



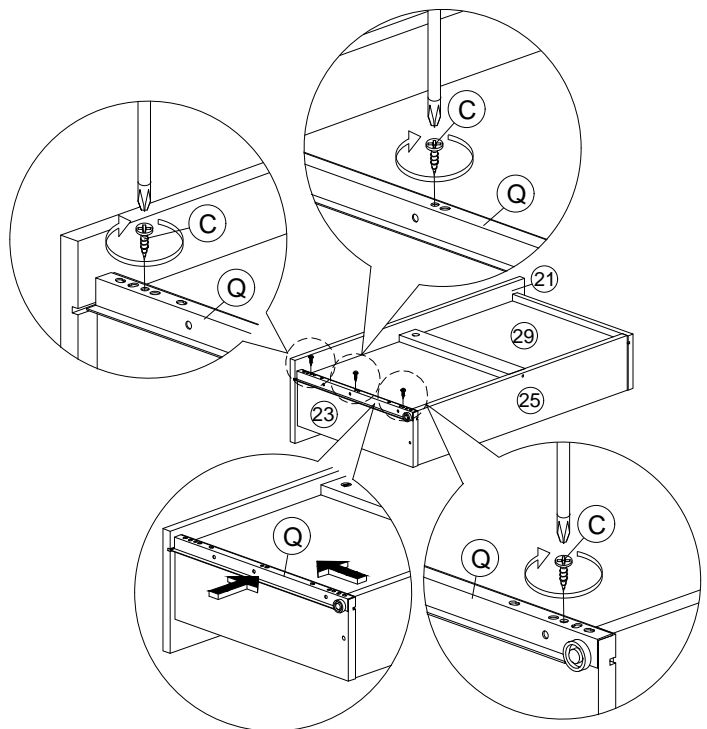
Step 34

H		Oil Cup Shaped Single Handle	2Pcs
I		M4x22mm Handle Screw	2Pcs





Step 35

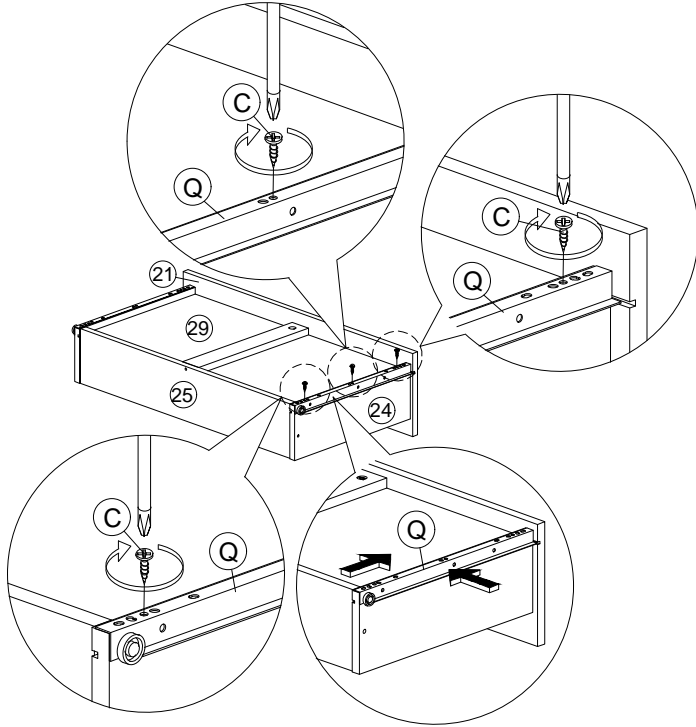
C		M3.5x16mm Screw	3Pcs
Q		Drawer Slide 350mm - L	1Pc




Assembly Instruction

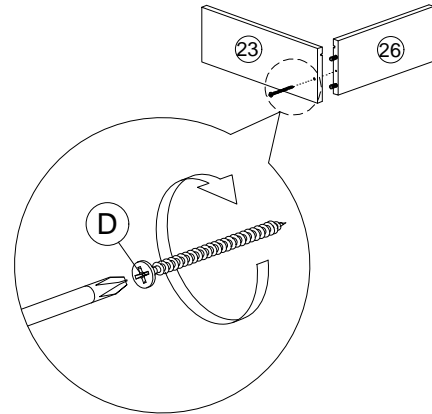
Step 36

C		M3.5x16mm Screw	3Pcs
Q		Drawer Slide 350mm - R	1Pc




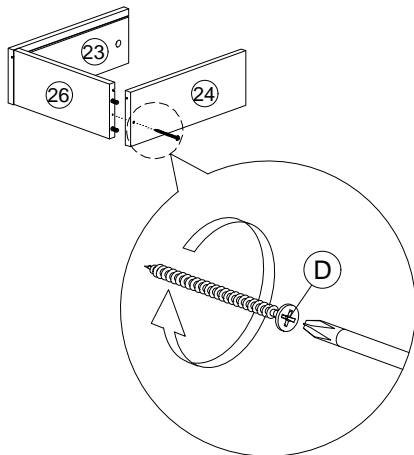
Step 37

D		M4x45mm Screw	1Pc
---	-------------------------------------------------------------------------------------	---------------	-----

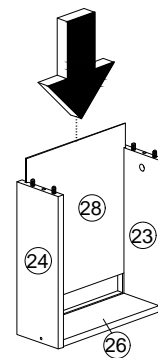


Step 38

D		M4x45mm Screw	1Pc
---	-------------------------------------------------------------------------------------	---------------	-----



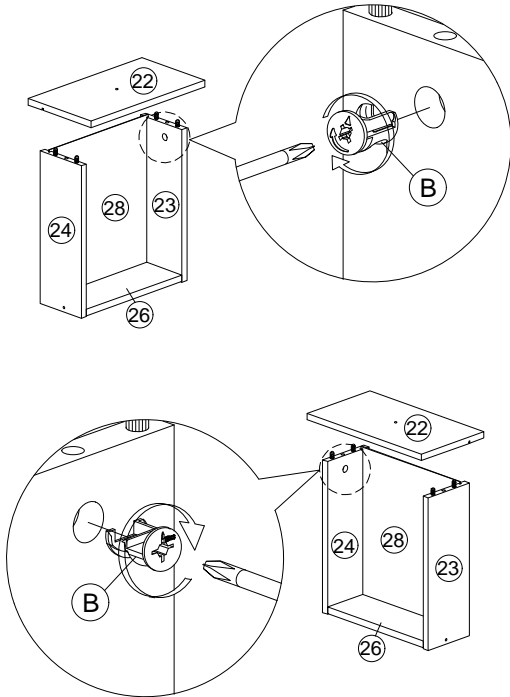
Step 39





Assembly Instruction

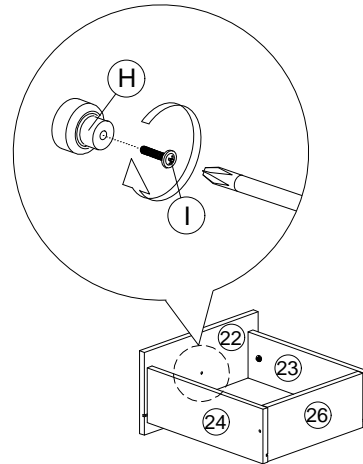
Step 40

B		Minifix	2Pcs
---	-----------------------------------------------------------------------------------	---------	------





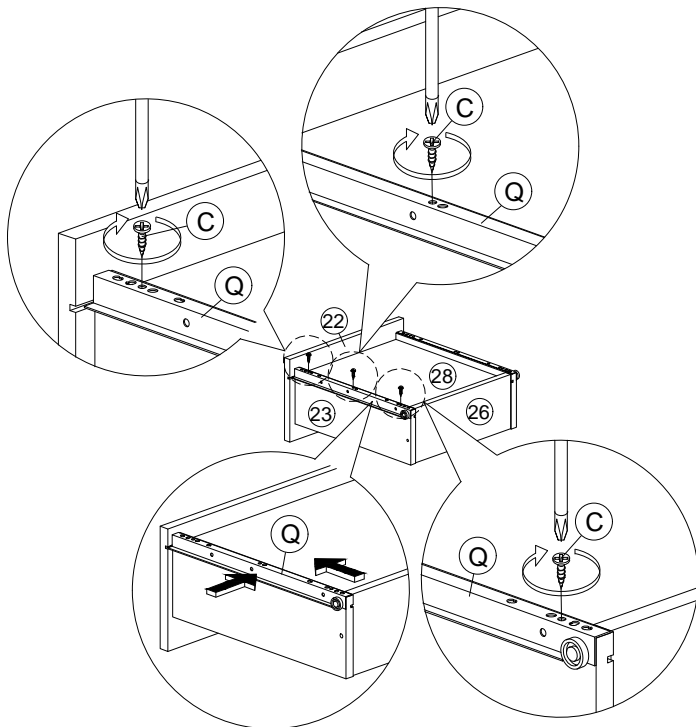
Step 41

H		Oil Cup Shaped Single Handle	1Pc
I		M4x22mm Handle Screw	1Pc





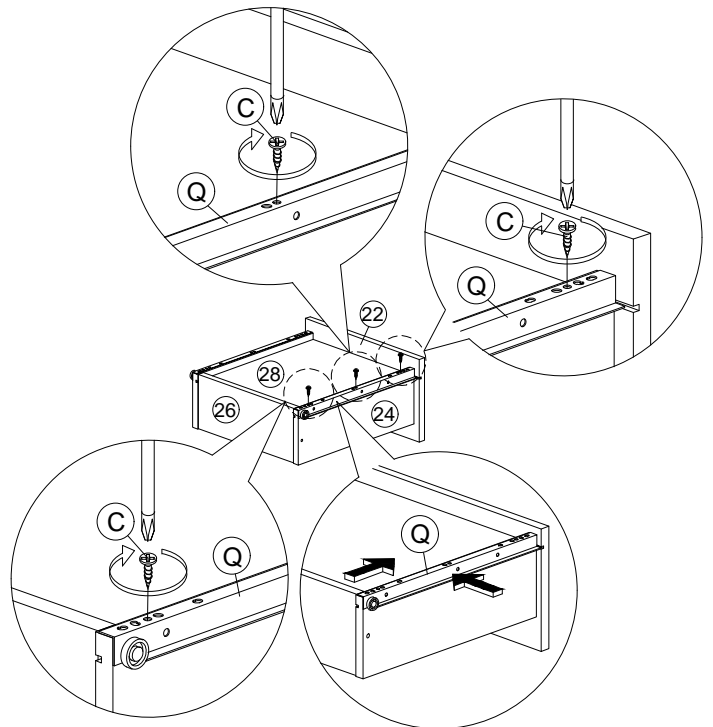
Step 42

C		M3.5x16mm Screw	3Pcs
Q		Drawer Slide 350mm - L	1Pc



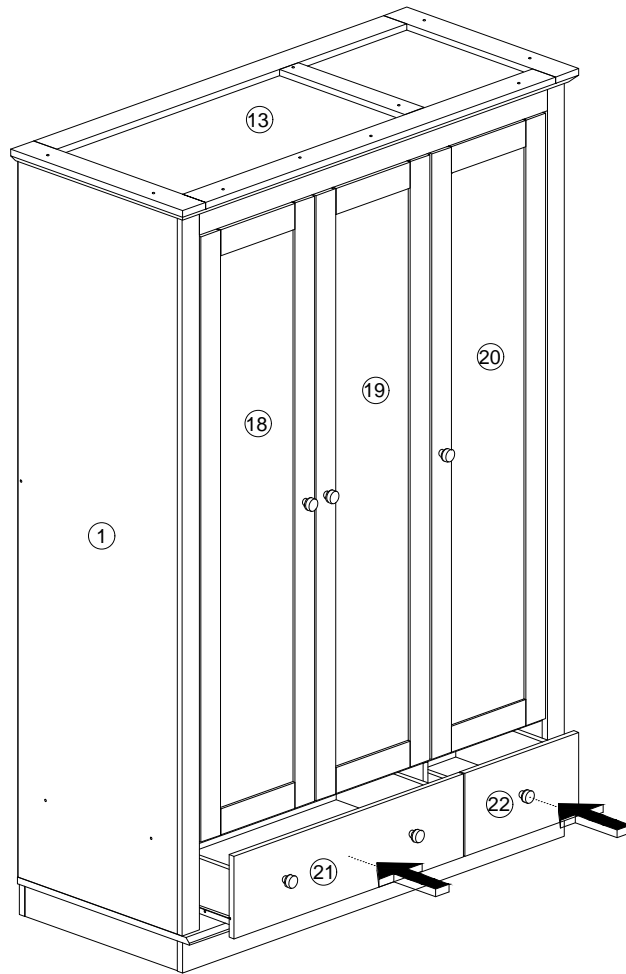
Step 43

C		M3.5x16mm Screw	3Pcs
Q		Drawer Slide 350mm - R	1Pc

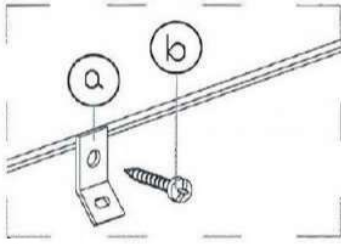


Assembly Instruction

Step 44

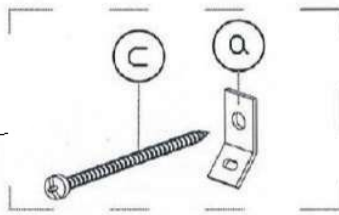
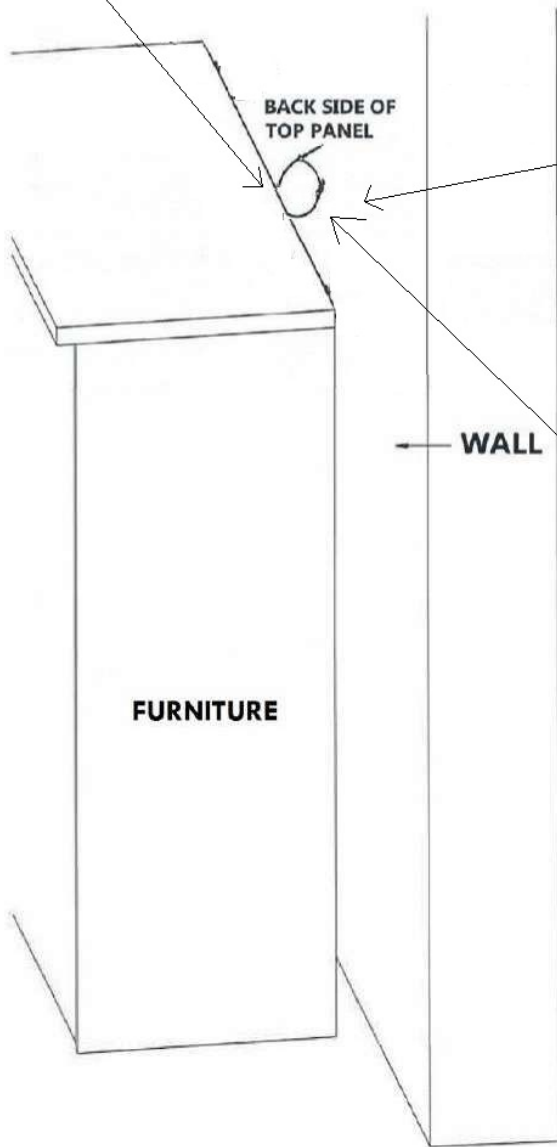


FITTING OF ANTI-TIP SAFETY STRAP



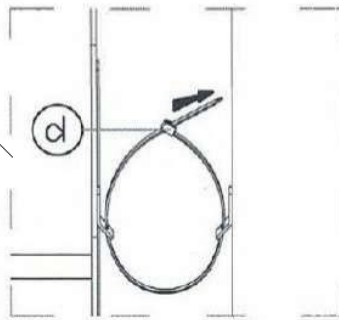
STEP 1:

- Attach the mounting bracket (a) to the furniture in the solid part below the top panel a few inches away from the side of the unit.
- Screw (b) through the smallest hole of (a).



STEP 2:

- Locate a stud in behind the wall to
- Place the other mounting bracket (a) on the wall stud 2 inches below the mounting bracket secured to the back of your unit.
- Attach to the wall stud using (c) through the smaller hole of (a).



STEP 3:

- Repeat the same step a few inches away from the other side of the unit.
- Place the furniture into position so both mounting brackets are vertically in line.
- Lace the end of the restraint strap through the larger holes in each mounting bracket.
- Secure the straps and lock into place.

