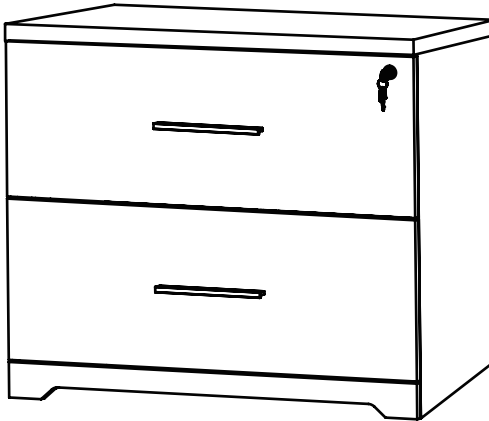




DEVAISE
WWW.DEVAISE.COM



AWJG009

Wood 2 Large Drawer File Cabinet

V3.3



IMPORTANT INFORMATION

READ CAREFULLY.

KEEP THIS INFORMATION FOR FURTHER REFERENCE.

GENERAL GUIDELINES

- Please read the following instruction carefully and use the product accordingly.
- Please keep this manual and hand it over when you transfer the product.
- This summary may not include every detail of all variations and considered steps. Please **contact us** when further information and help are needed.

NOTES

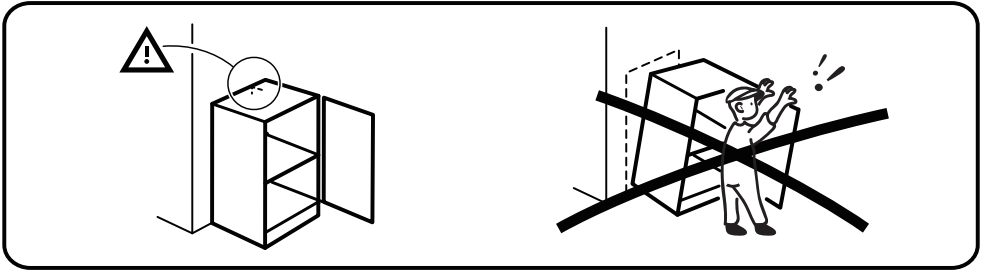
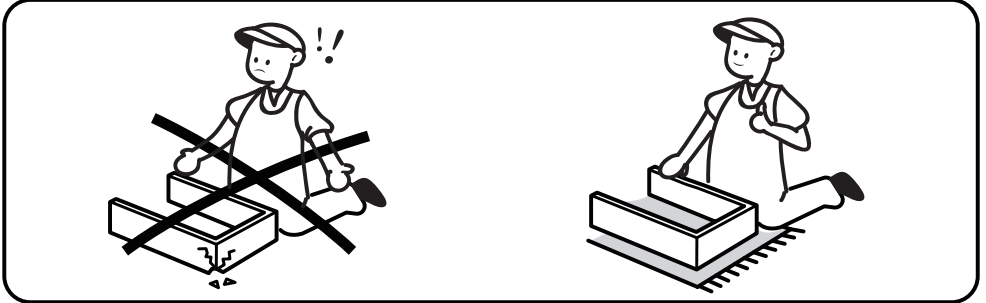
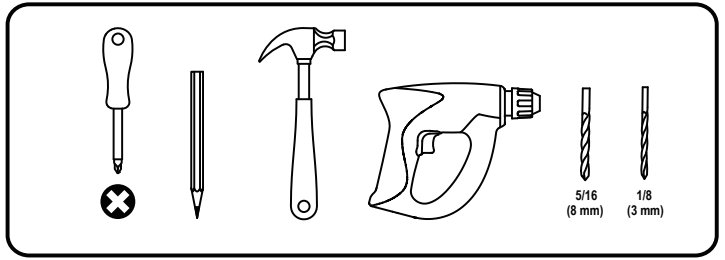
- Please follow the assembly instructions precisely and only use the product as intended.
- If an odor is present when first opening the package, please leave the unwrapped product in a shaded and ventilated area for a few days to air out.
- Prior to assembly, please check the product for defects or missing accessories. If any defects are found or accessories are missing, do not use product as damage or injury may occur;
Please **contact us** for assistance and replacement.
- It is suggested you regularly check the products bolts and connections to ensure safe use.
- Assemble the item on a soft flat and clean surface to avoid scratches and damage.
- It is recommended that two people assemble this product.

WARNINGS

- During assembly, keep parts and packaging materials away from children and pets as there could cause injury and are a potential choking hazard.
- Avoid sharp objects or corrosive chemicals to prevent damage to the product.
- Please open the item slowly and cautiously to avoid pinching your hands by metal joints, especially children.

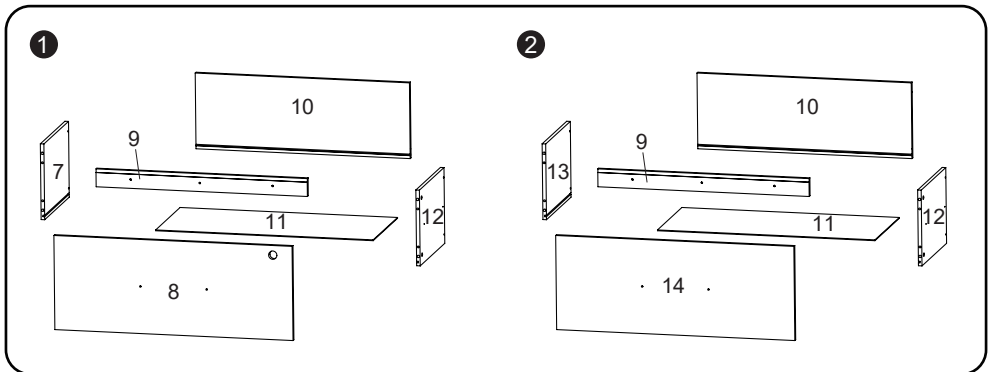
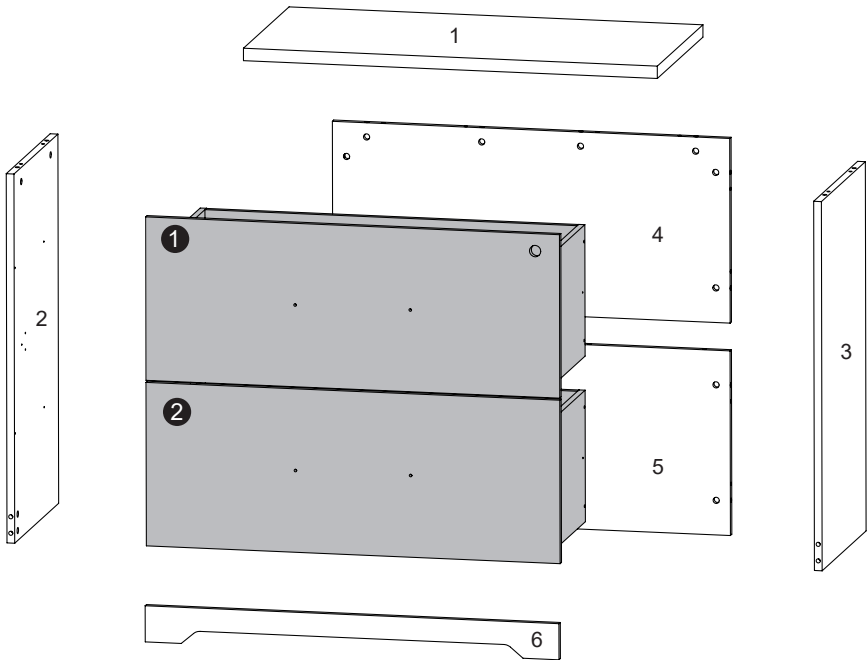
ANTI-TIP WARNING

- Serious or fatal crushing injuries can occur from furniture tip-over. To prevent this furniture from tipping over it must be permanently fixed to the wall.
- Since different wall materials require different types of fixing device, for advice on suitable fixing systems, contact your local specialized dealer.

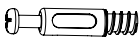
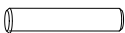

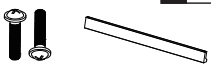
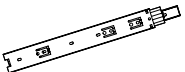

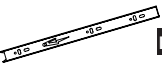








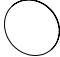











- If you have any further questions, please feel free to contact us by email or official website: devaise-cs@devaise.com We will reply ASAP.
- Before installation, please make sure you have all the hardware, the serial numbers are properly labeled corresponding to the list, and the quantity is correct.
- Enjoy your new purchase!

EXPLODED DRAWING



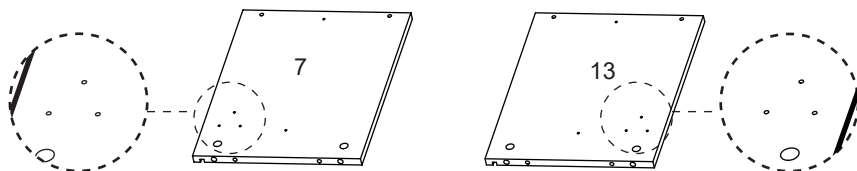
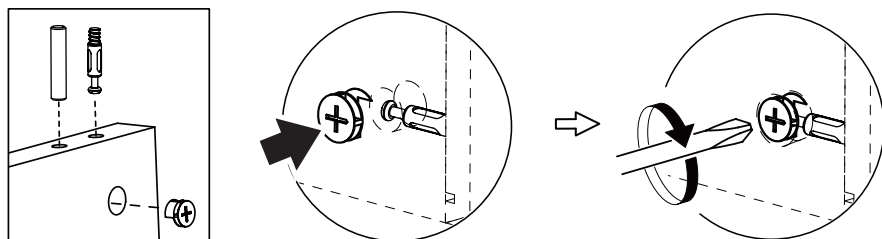
PARTS

<p>A X28</p> 	<p>B X28</p> 	<p>C X28</p> 	<p>D X2</p>  <p>D1 D2</p>
<p>E X4</p>  <p> </p>  <p>E1</p> <p>+</p>  <p>E2</p>	<p>F X11 M4x14</p> 	<p>G X14 M4x11</p> 	<p>H X8 M4x30</p> 
	<p>I X2</p> 	<p>J X1</p> 	<p>K X4</p> 
	<p>L X4</p> 	<p>M X4</p> 	<p>N X8</p> 
<p>O X1</p> 	<p>P X1</p> 	<p>Q X3 M6x28</p> 	<p>R X1</p> 
<p>S X1</p>  <p>S1</p>  <p>S2</p>  <p>S3</p>	<p>T X4 M4x16</p> 	<p>U X6 M4x22</p> 	

REMARK

Part **7** board is assembled on the upper drawer **1** ;

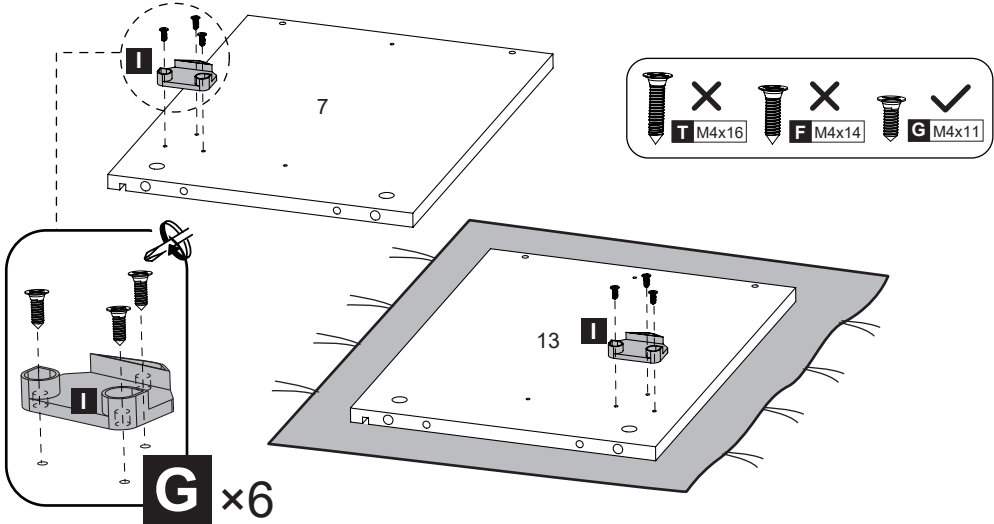
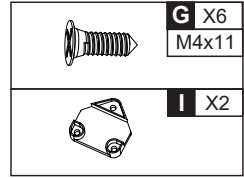
Part **13** board is assembled on the bottom drawer **2** ;

**MINIFIX POSITION**

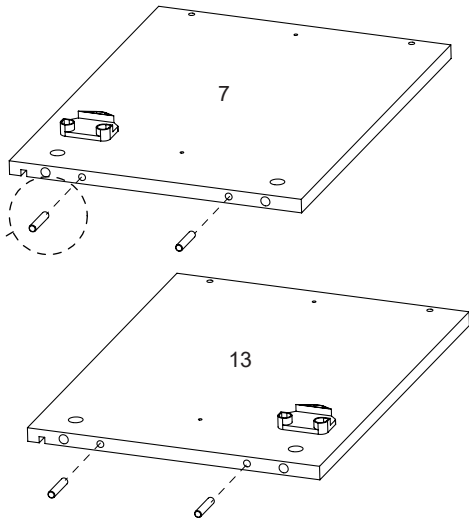
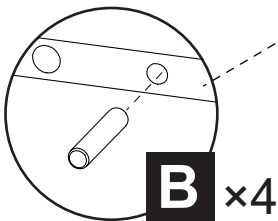
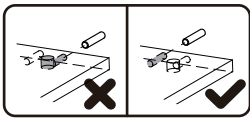
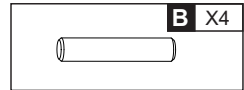
1

REMARK

Put a blanket under the board to avoid scratch or damage.

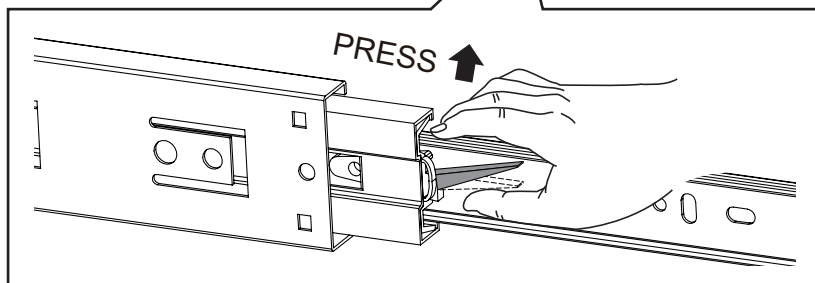
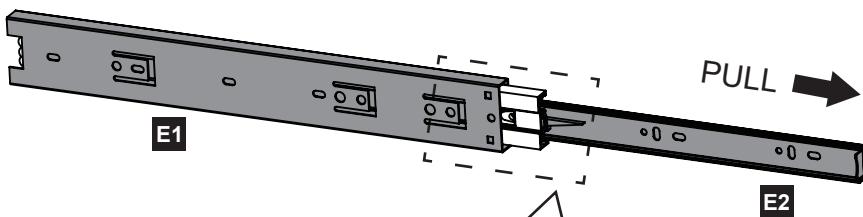


2

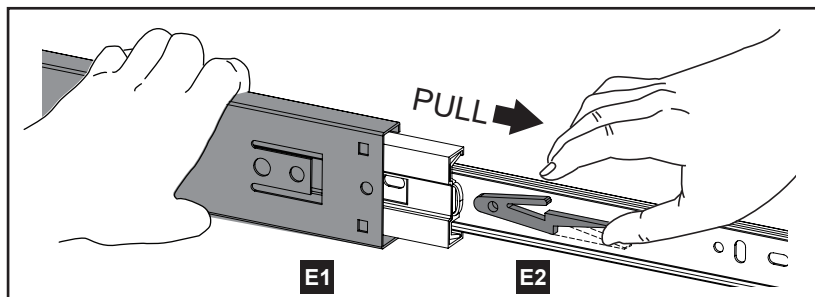


REMARK

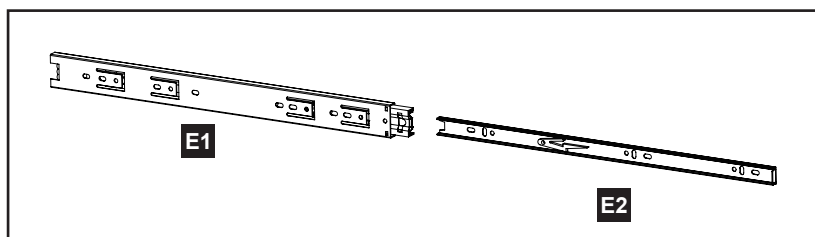
1. Press the plastic part in the indicated direction to separate drawer runner **E1** and **E2** before assembling.





2. Please grip the **E1** part while sliding the **E2** part.

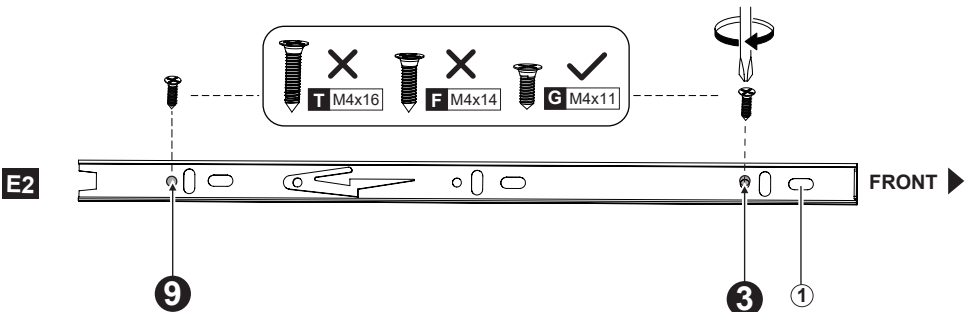
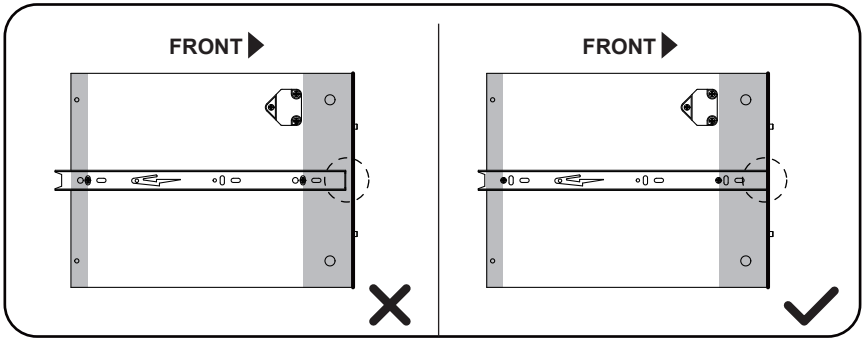
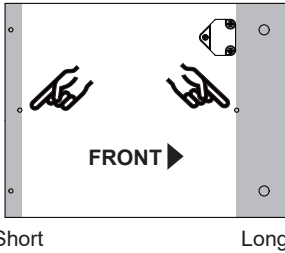
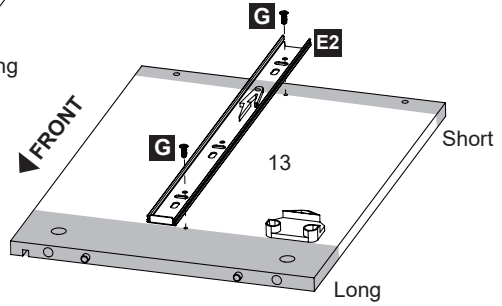
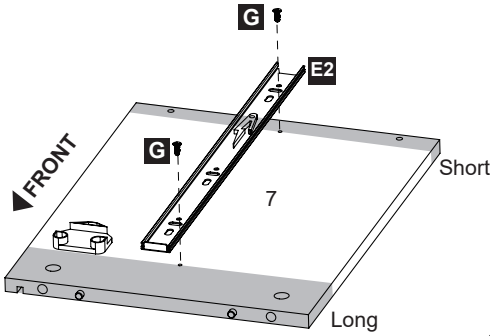


3. Accomplish.

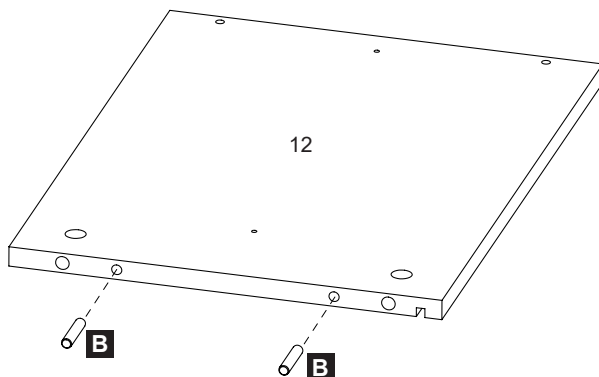
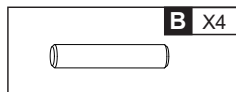


3

	E2 X2
	G X4 M4x11



4

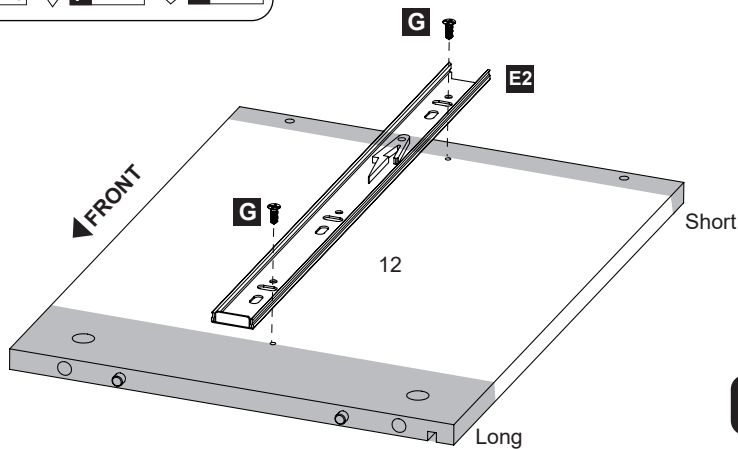
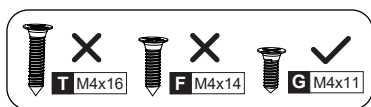
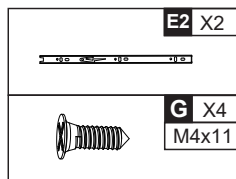


x2

5

REMARK

Check STEP 3 for reference.

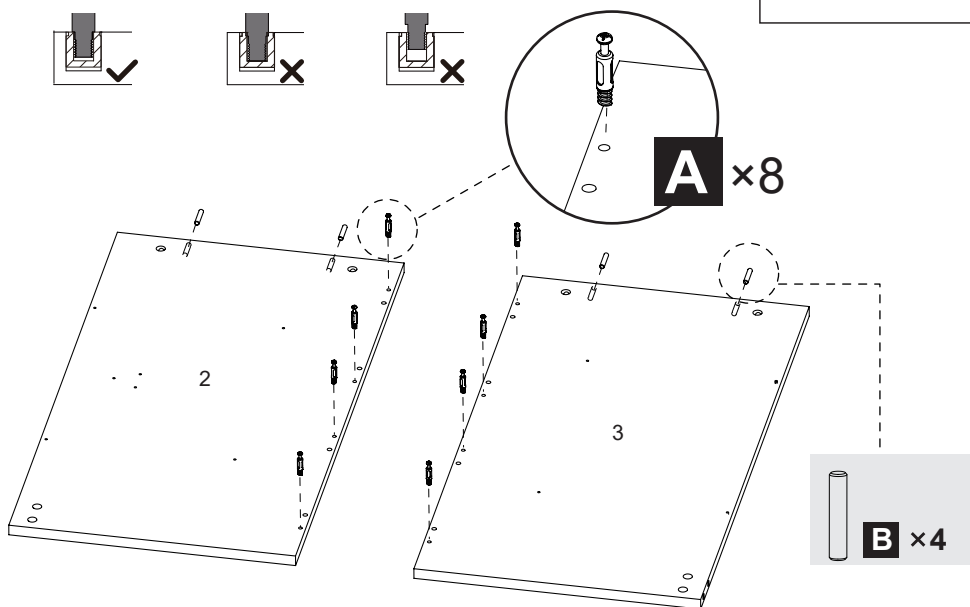
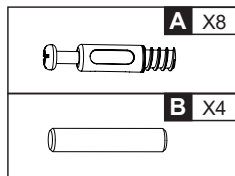
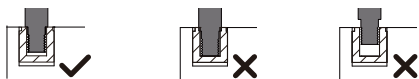


x2

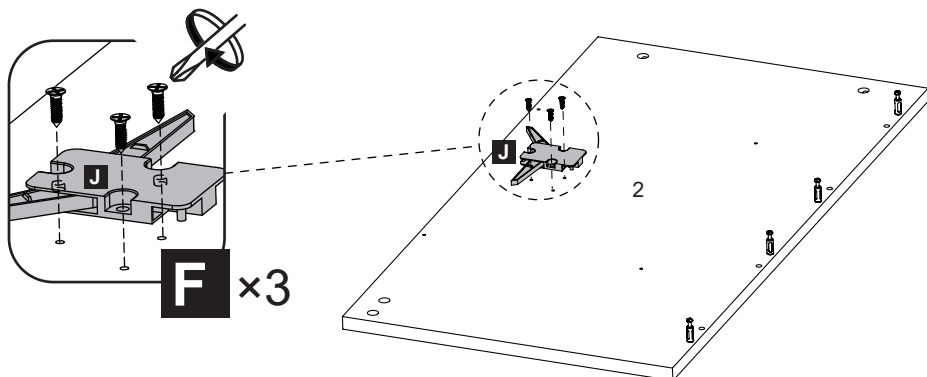
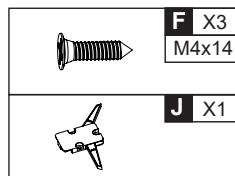
6

REMARK

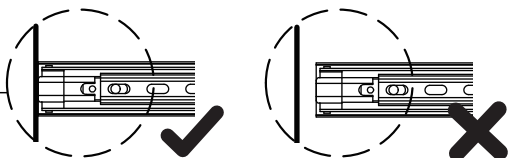
Please do not screw **A** too deep or too shallow.





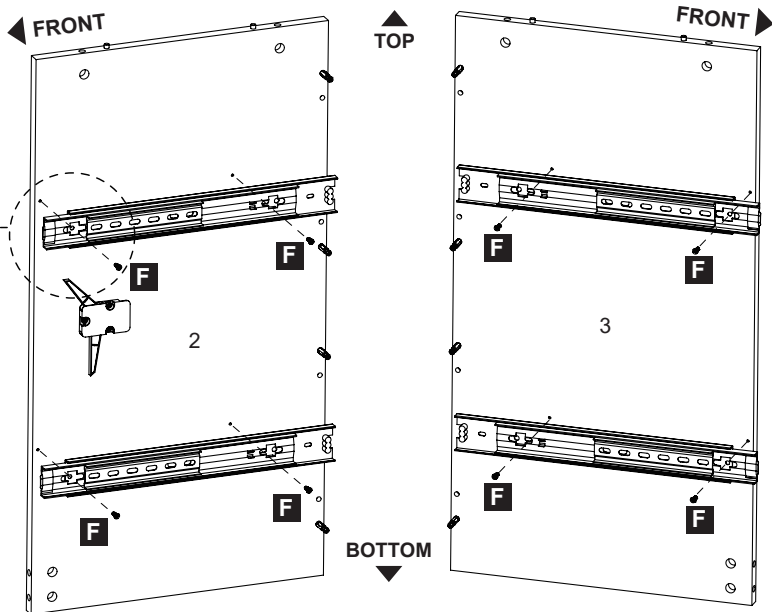
7



8



	F X8 M4x14
	E1 X4

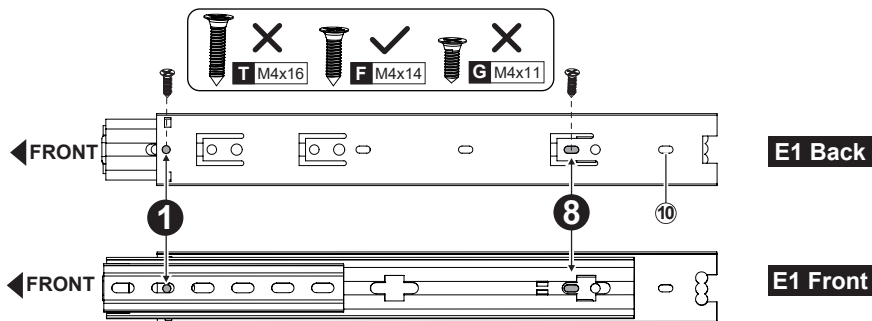


REMARK

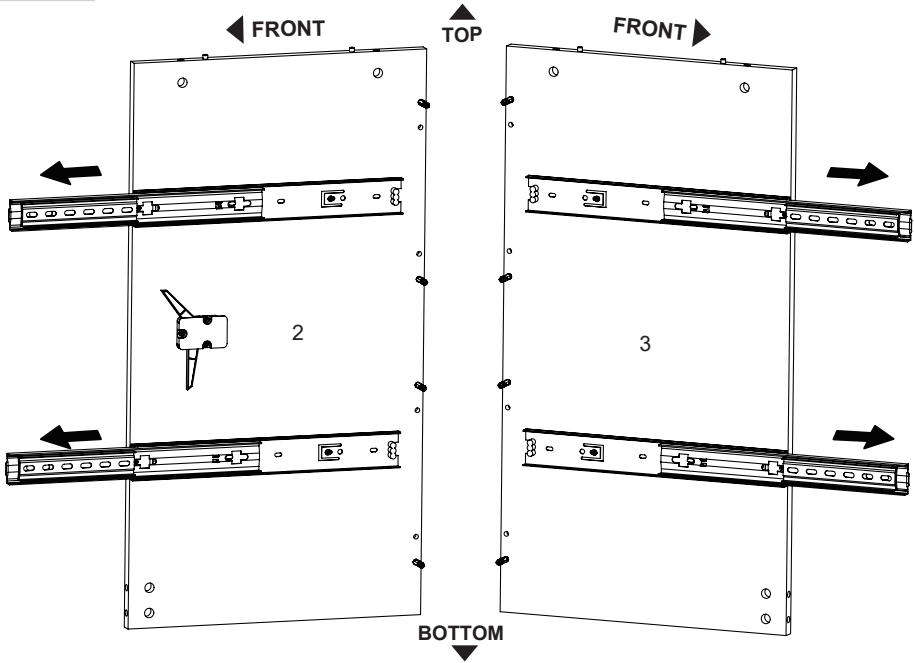
When installing, please make sure the screws are flattened, not crooked; Otherwise the drawers will not be installed perfectly.



1. Please locate the holes from the back of part **E1**.
2. Then please install part **F** from the front of part **E1**.
3. Please install hole #1 first, then hole #8.

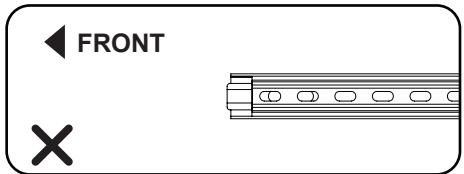
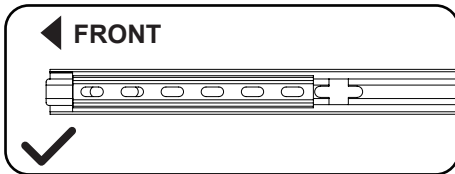


9

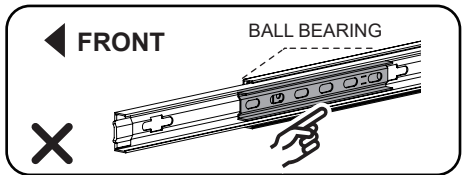
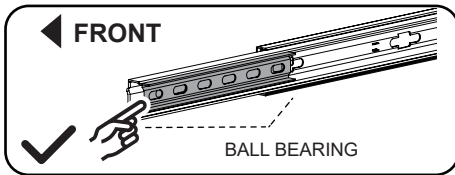


REMARK

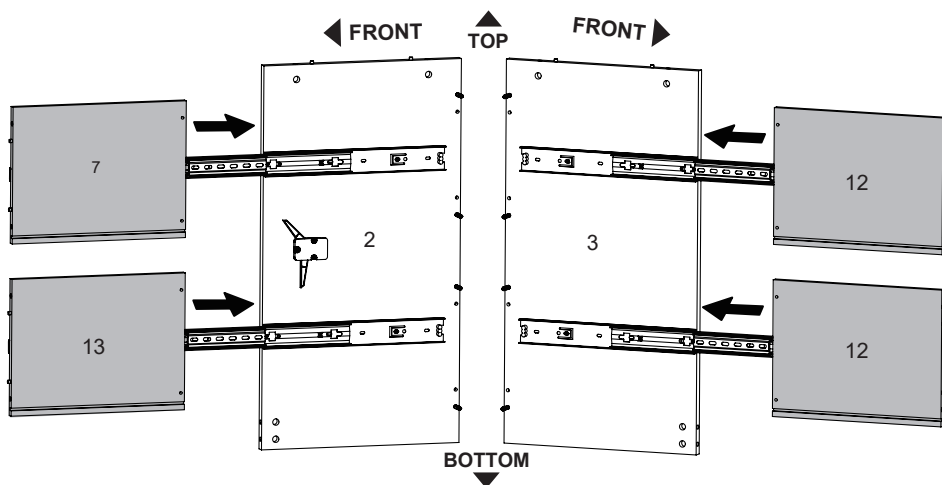
1. Please full extend the slide runners.



2. Simply push the ball bearing cart all the way to the end of the slide(in both sides).

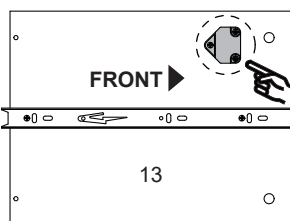
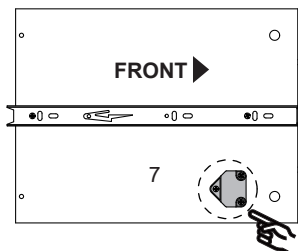


10



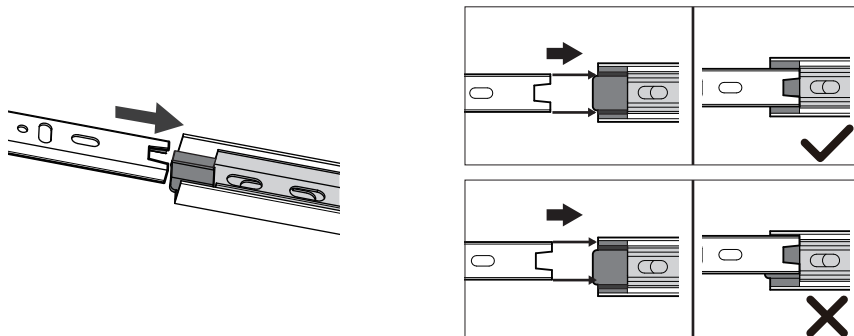
REMARK

1. Note the difference between the part 7 and the part 13 .

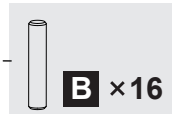
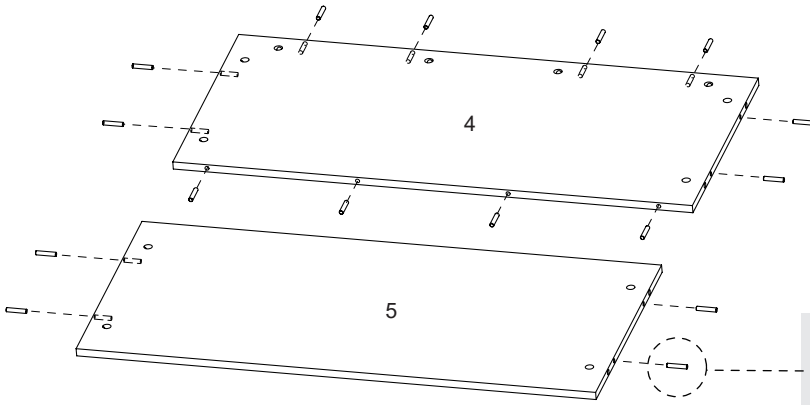


2. Align the slide runners on the drawer with the unit and push it carefully inside until it stops.

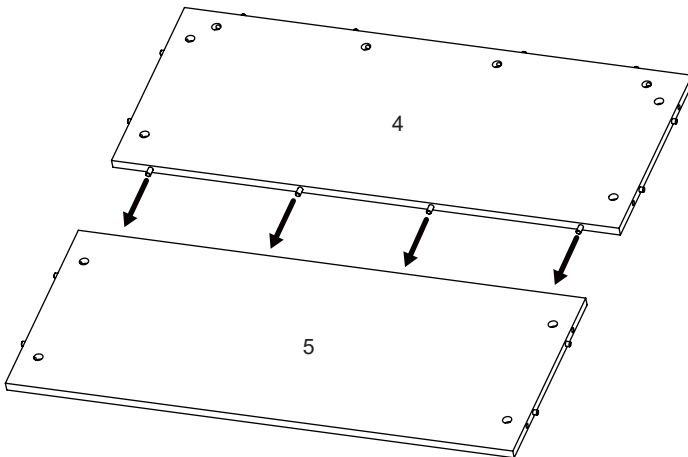
3. If the drawer does not go in smoothly please take it out and repeat the step.



11

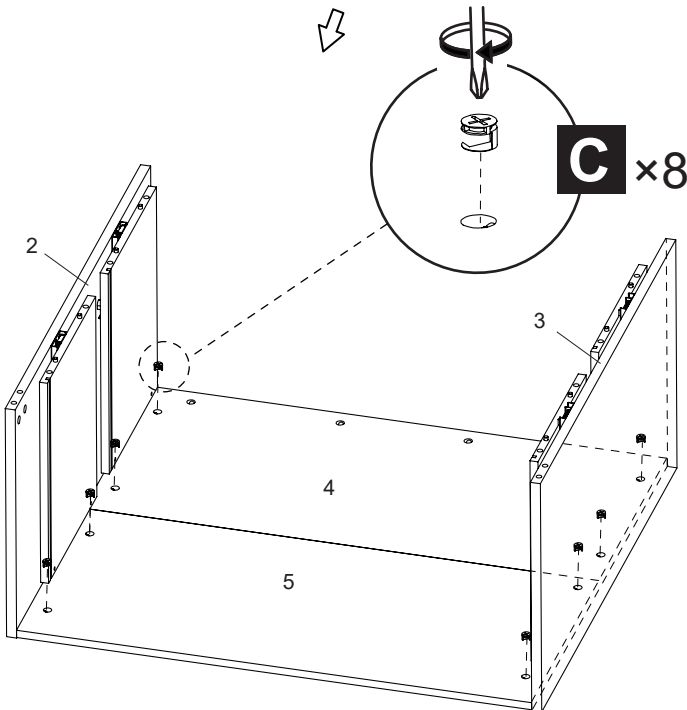
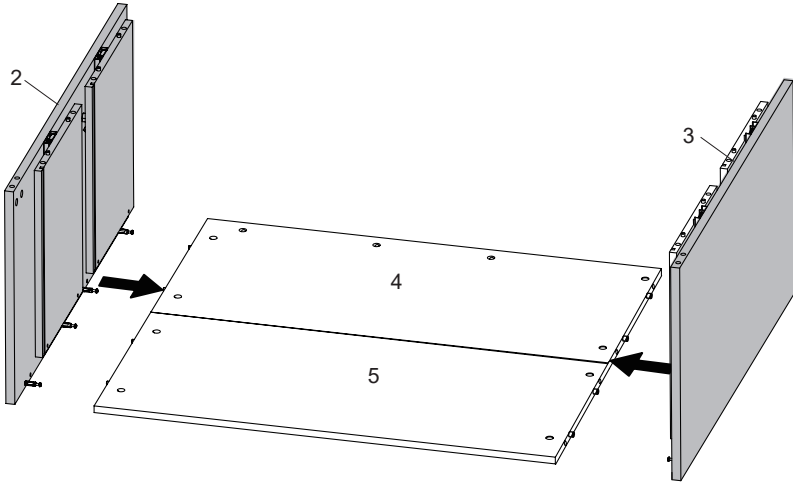


12

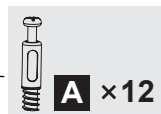
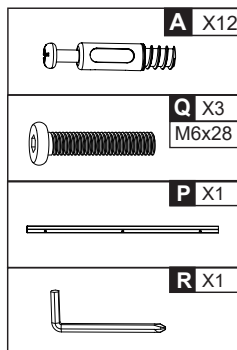
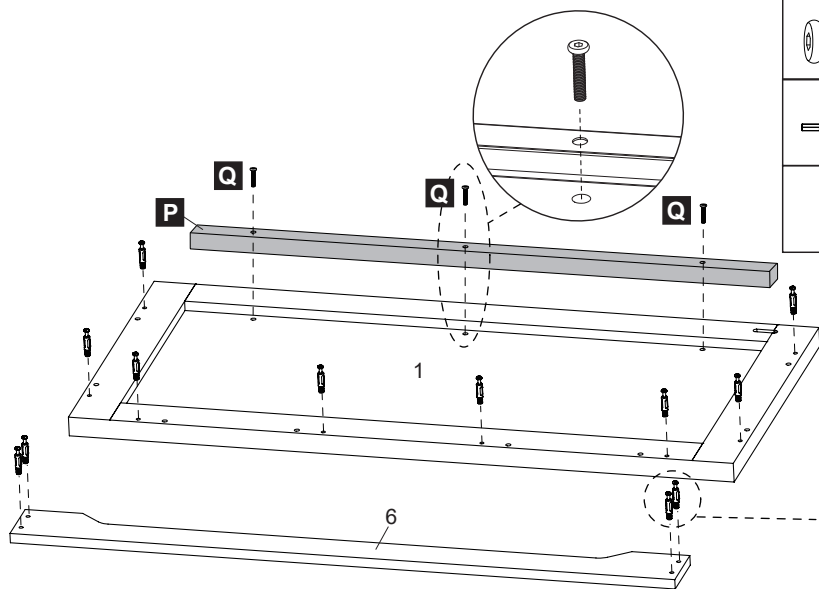




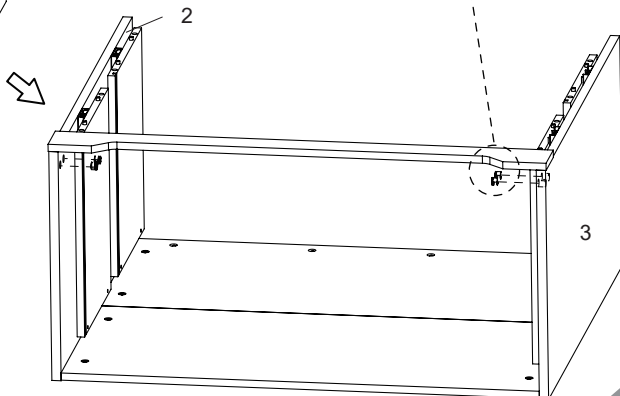
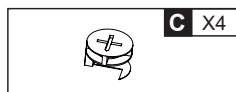
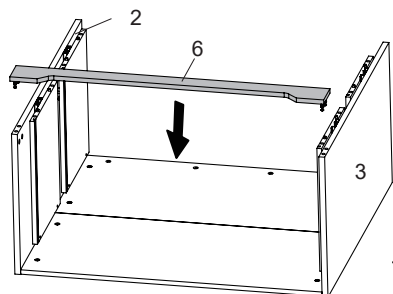
C X8



14



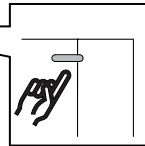
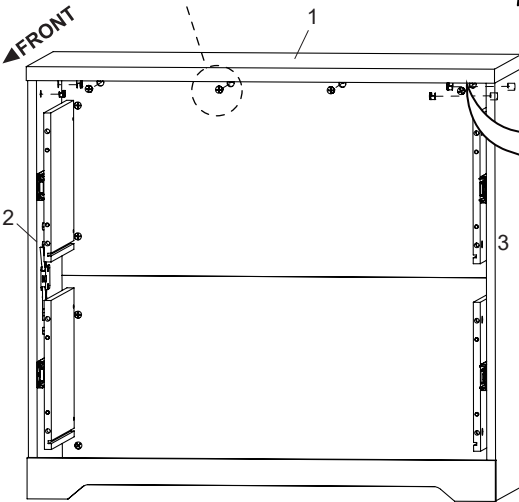
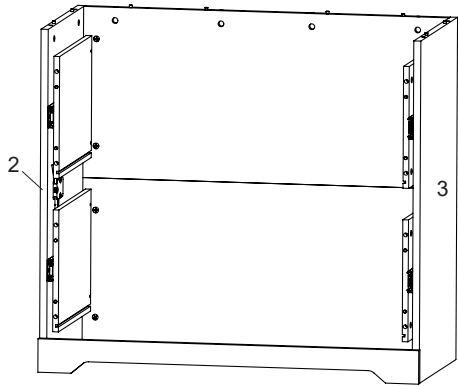
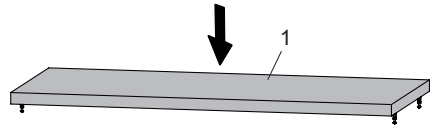
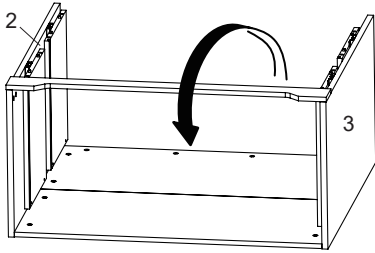
15



16



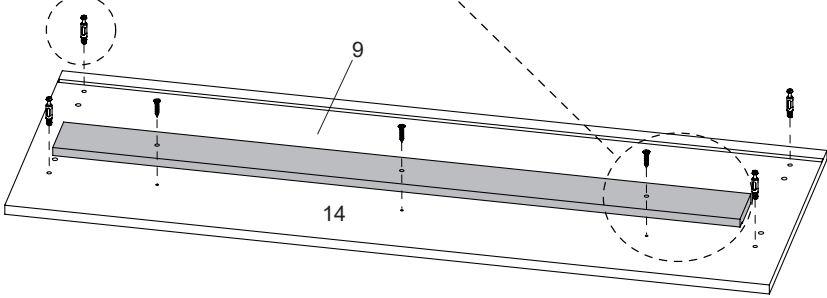
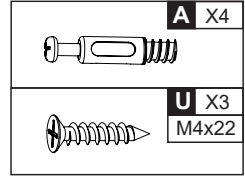
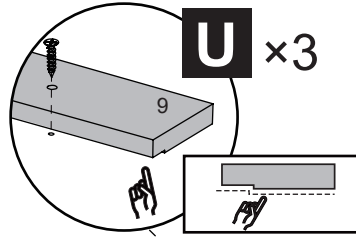
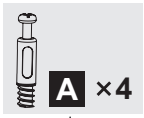
C X8



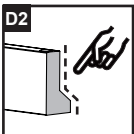
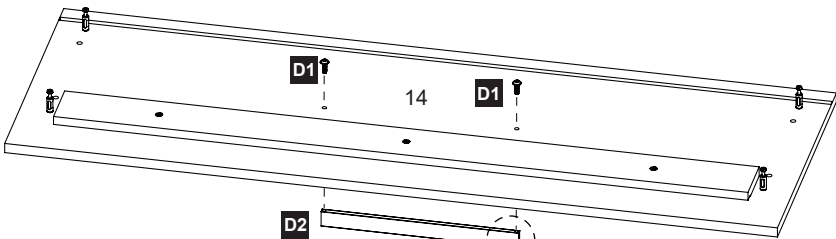
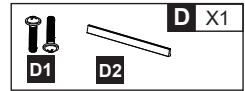
FRONT



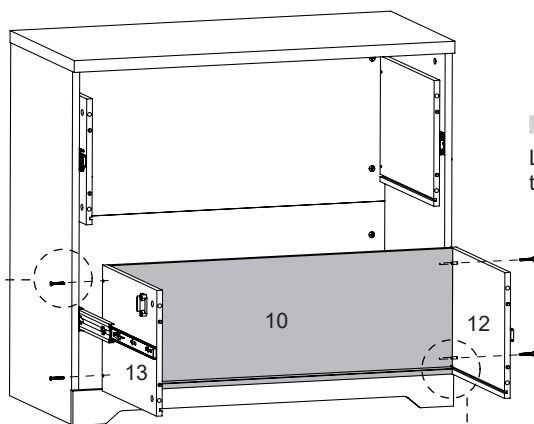
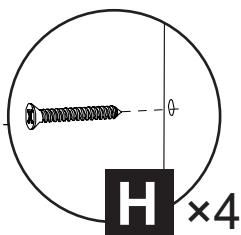
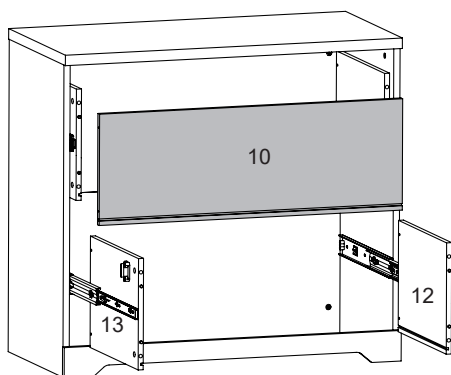
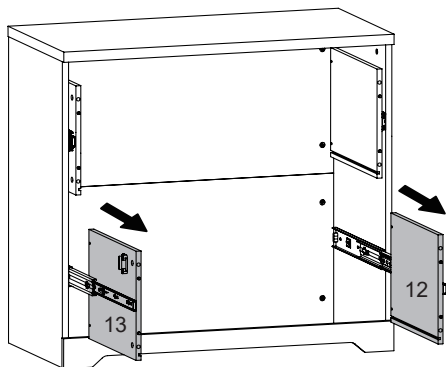
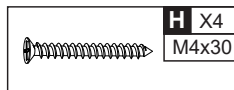
17



18

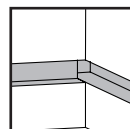


19



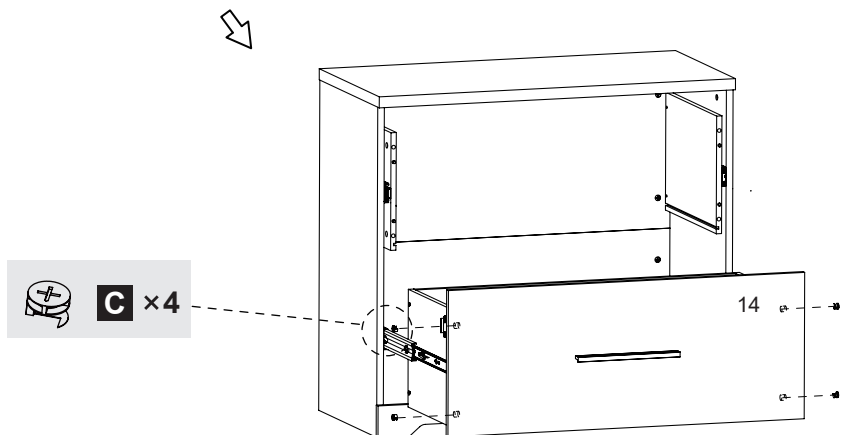
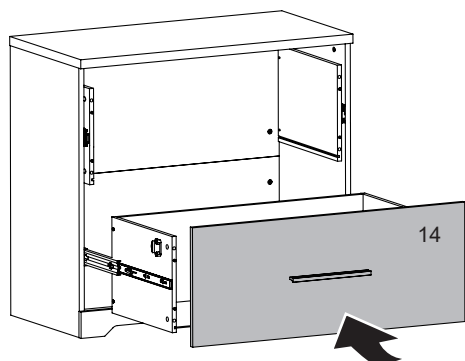
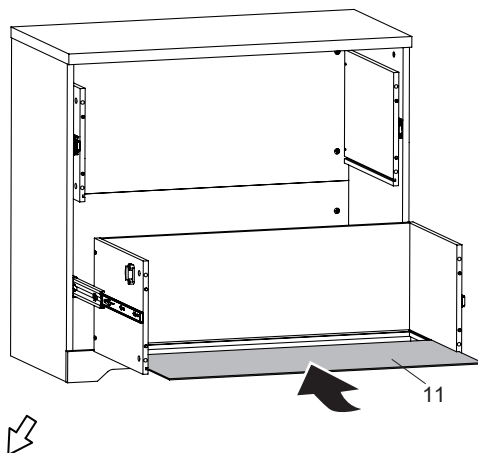
REMARK

Let the grooves on part 10 be connected to the groove on part 12 and 13 .

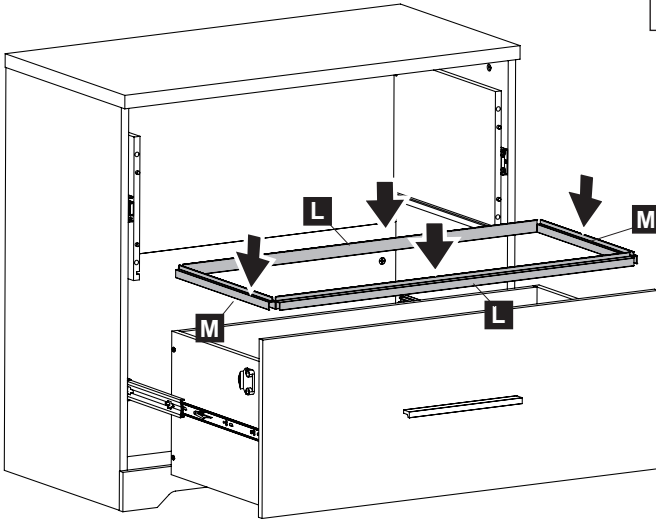
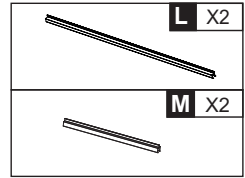




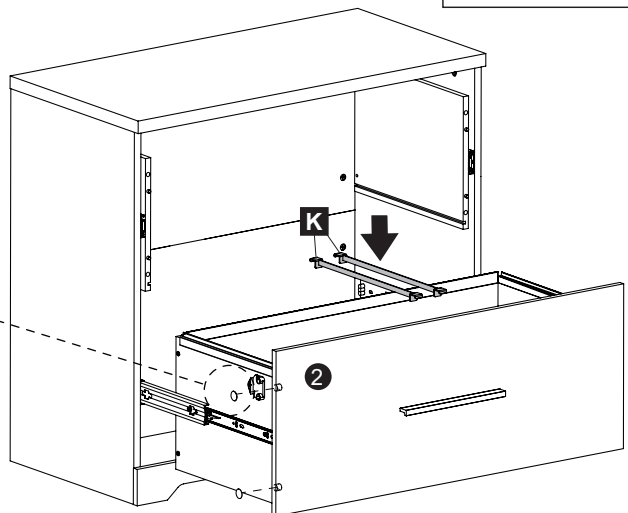
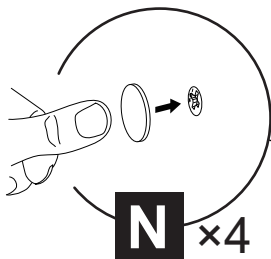
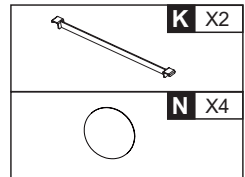
C X4



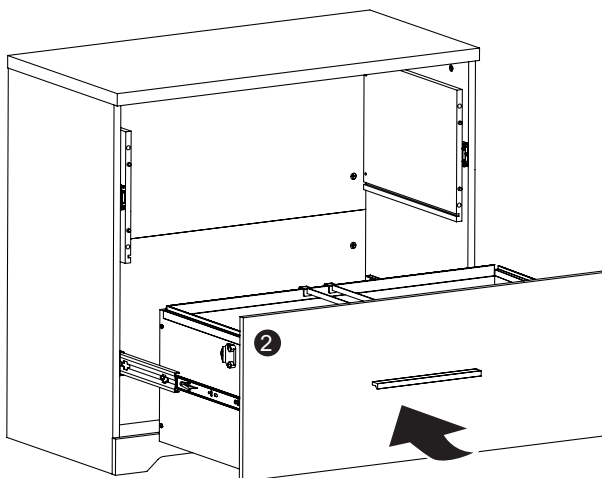
21



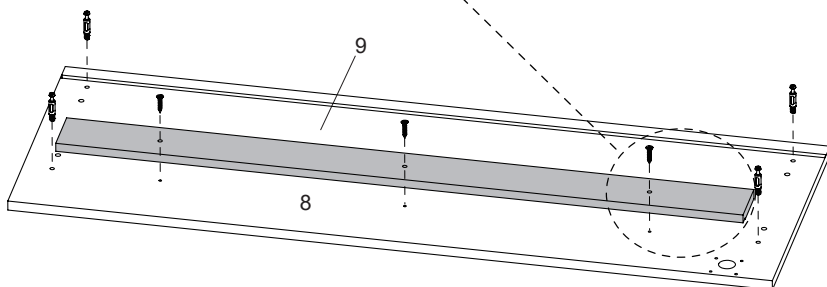
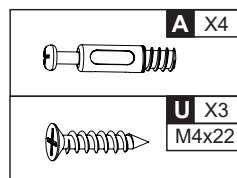
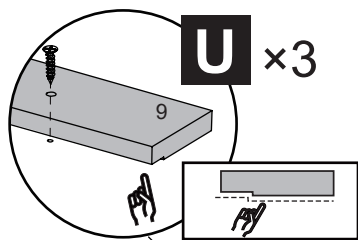
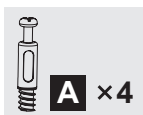
22



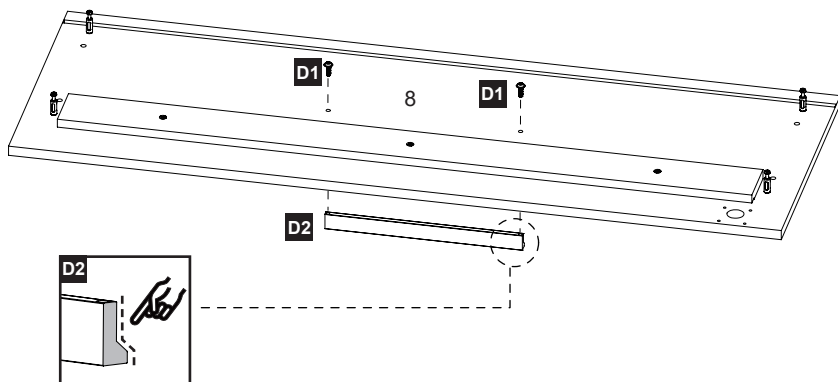
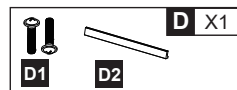
23



24



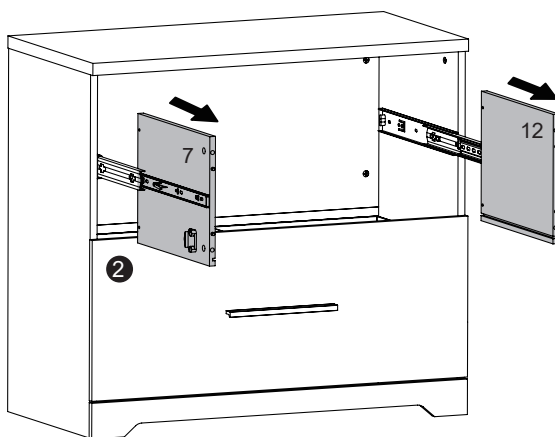
25



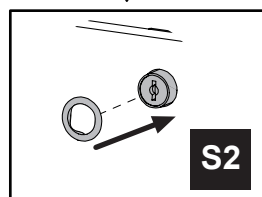
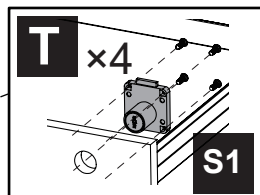
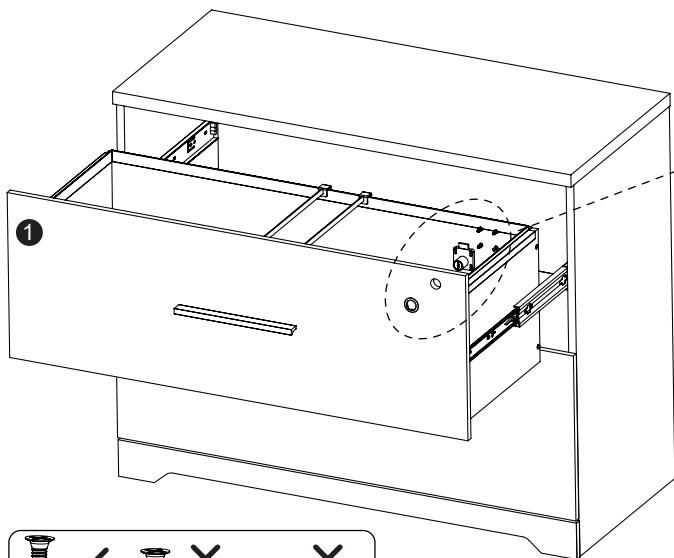
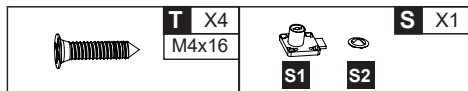
26

REMARK

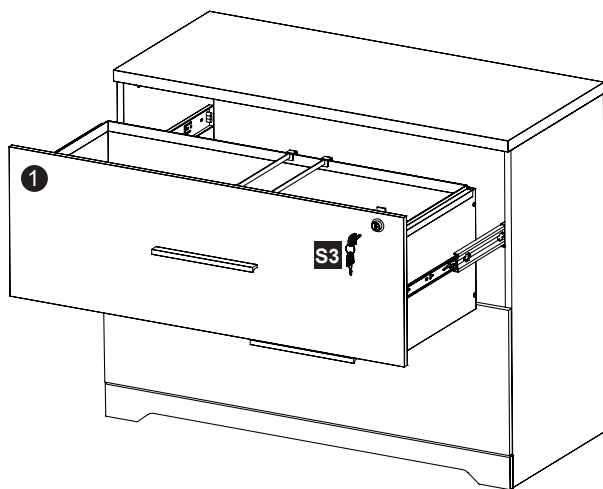
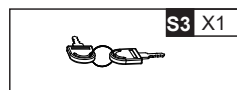
1. The bottom drawer must be closed.
2. The installation are the same for 2 drawers, please refer to the step19-step22 for the installation method.



27



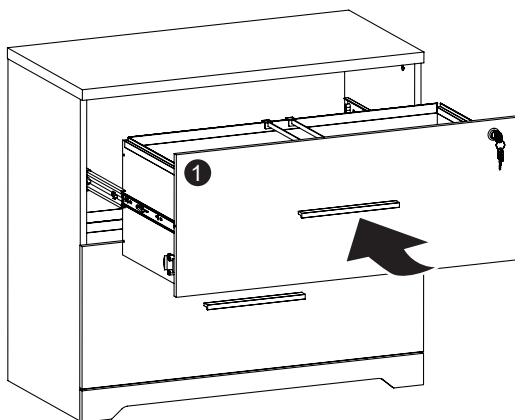
28



29

REMARK

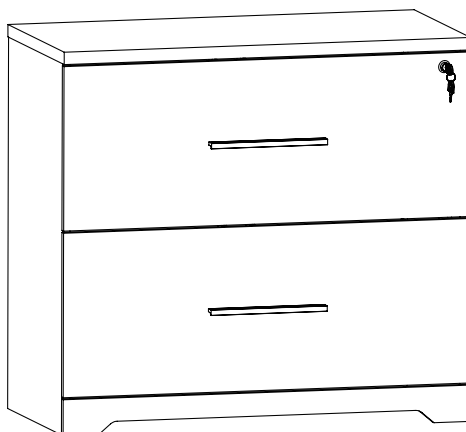
The bottom drawer must be closed.



30

REMARK

One drawer can only be opened when other 1 drawer is **fully closed**.





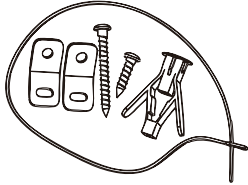
WARNING

ANTI-TIPPING DEVICE

WALL ANCHORING GUIDE

The hardware you should use to secure your furniture to the wall depends on both the type of furniture you have and your wall material.

Attaching your furniture to cavity wall with anti-tipping device

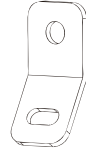


Anti-tipping device bag



27/64" (10.5mm) 1/8" (3mm)

Electric drill (not provided)

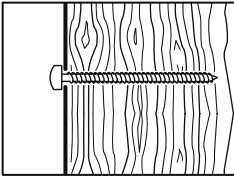


**Fixing hole (round)
Threading hole (oval)**

Type of Wall Material

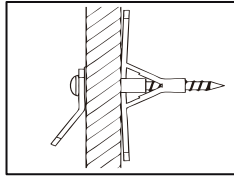
Using the guide below, identify your wall material and choose the corresponding steps.

Mark the attachment point(s) with a pencil at the appropriate height.



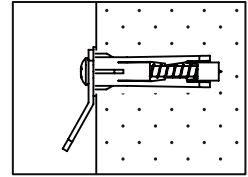
Drywall or plaster with available wood stud

- Drill 1/8-inch (3mm) diameter pilot hole(s) into the wood stud(s), at the height you marked with pencil.



Drywall without available wood stud

- Drill 27/64-inch (10.5mm) diameter hole(s) through the wall at the height you marked with pencil.
- Drive the plastic plug(s) into the hole(s), using a hammer if needed.



Masonry

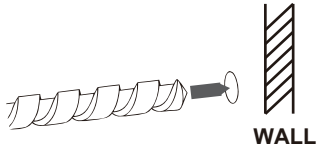
- Drill 27/64-inch (10.5mm) diameter hole(s) 2-inches (50mm) deep into the wall at the height you marked with pencil.
- Drive the plastic plug(s) into the hole(s), using a hammer if needed.

Follow the appropriate pictogram instructions on the following pages, drive the screw(s) with washer(s) through the brackets and tighten screw(s) firmly into the plastic plug(s) in the wall. Do not over-tighten.

**If your wall material is not listed here,
or if you have any questions, consult your local hardware store.**

STEP

1

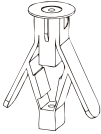


Drill a hole in the solid wall
(Wood wall or Concrete wall)

using a 0.41~0.43 inches
(10.5~11mm) drill bit.

2

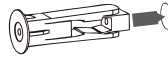
PRESS



PRESS

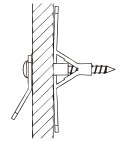
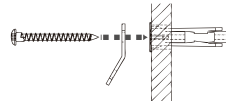
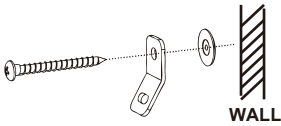


3

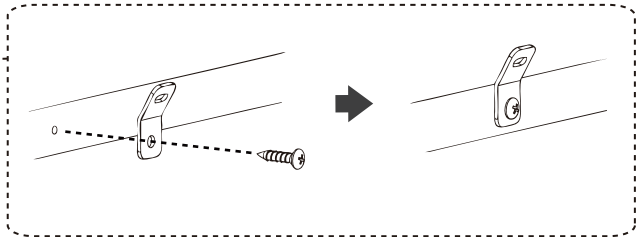
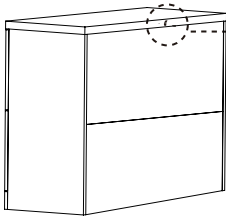


WALL

4



5



Tightening
the threading

