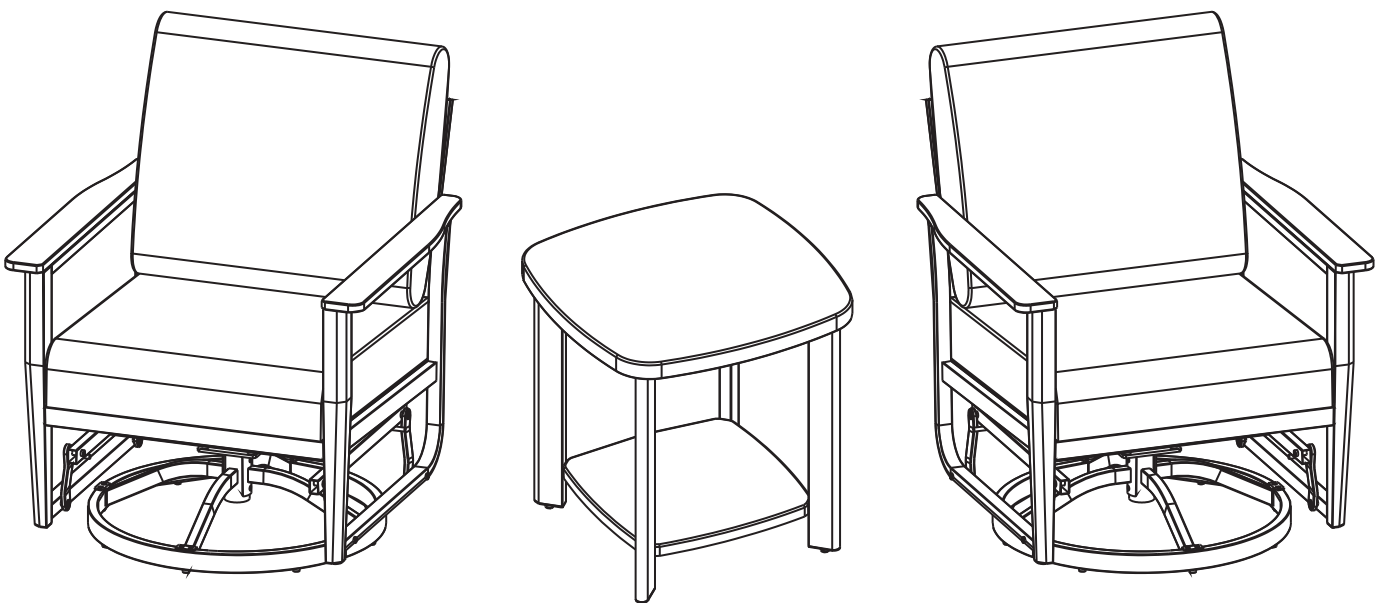




Aluminum Outdoor Swivel Glide Sofa Set

Assembly & Care instructions



SKU: S02-2603SWL

Please read & retain for future reference

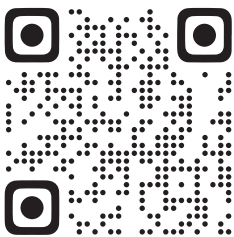


CONTENTS

Important.....	2
Specifications.....	3
Packing List.....	4
Screw Set List.....	5
Sofa Installation Instructions.....	6
Coffee Table Installation Instructions.....	12

CONTACT US

If you have any questions or concerns regarding our product, please don't hesitate to contact our customer service team at [service@outsofas.com]. We are committed to providing excellent service and ensuring your satisfaction.



Scan The Qr Code And Click The  Chat Button To Contact us.

Web:www.outsofas.com

E-mail:service@outsofas.com



WARNINGS

Not for Children

This sofa set is intended for adult use only. Avoid allowing children to play or climb on the furniture to reduce the risk of injury.

No Standing on Furniture

The furniture is designed for sitting only. Do not stand, jump, or place excessive weight on the armrests or backrests.

Avoid Modifications

Do not modify or attempt to repair the sofa set. Contact customer service for any necessary repairs or replacement parts.

Important Safety Information

Choking Hazard: Keep packaging materials, small parts, and screws away from children. This product contains parts that could be harmful if swallowed.

Adult Supervision: Always supervise children around the furniture, especially when playing or climbing.

Stable Surface: For safety and stability, ensure the sofa set is placed on a level, stable surface. Avoid placing it on uneven or slippery ground.

Weight Limit: Please do not exceed the recommended weight capacity for each seating unit and coffee table to prevent damage. Refer to the product's weight specifications for more details.

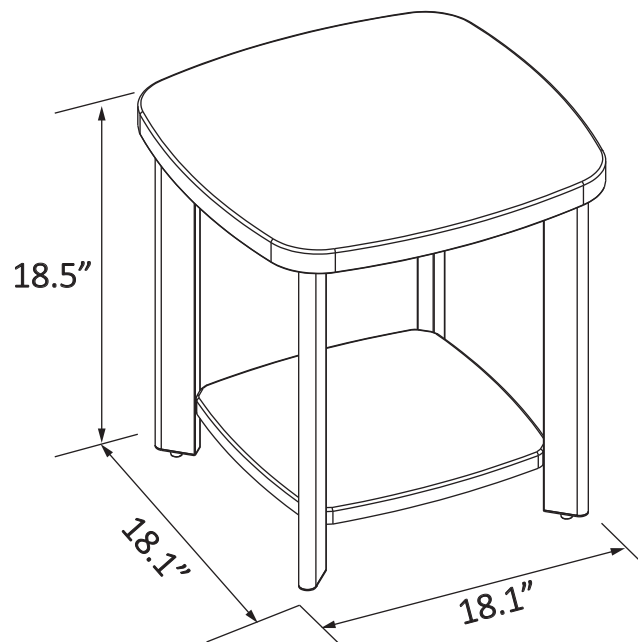
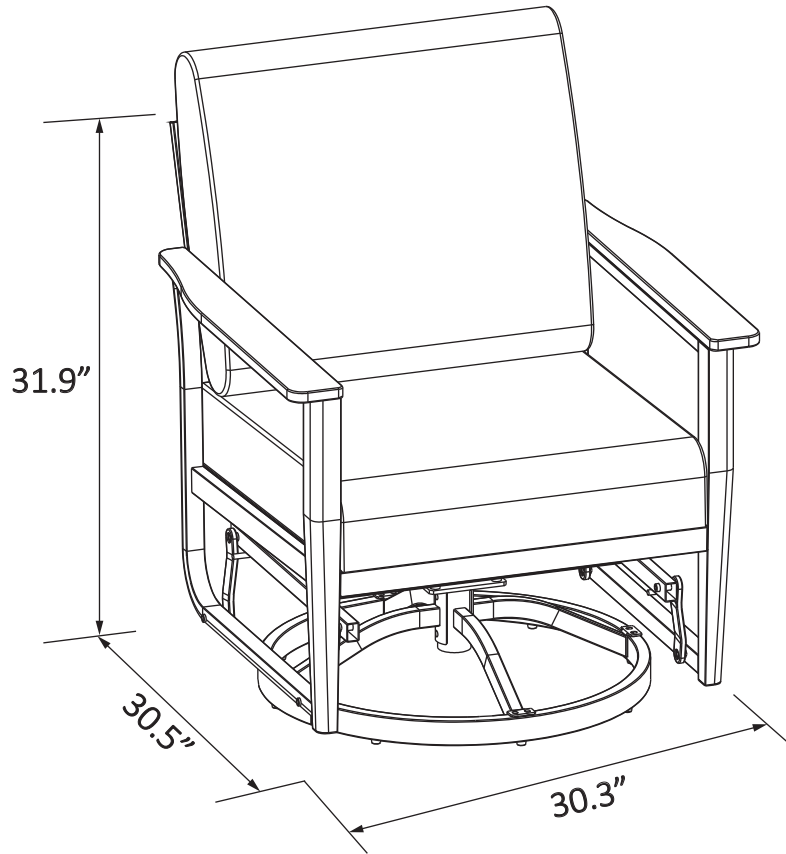
Cushion Safety: Ensure that cushions and pillows are securely in place before using the furniture. Avoid using the product if any cushions are damaged or misplaced.

Protect from Weather: Although the rattan material is designed for outdoor use, we recommend covering the sofa set or moving it to a sheltered area during heavy rain, snow, or extreme sunlight exposure to protect the cushions and prolong the life of the set.

Proper Assembly: Always ensure that all components are properly assembled and that all screws and bolts are tightened securely before use. Check for loose screws periodically.



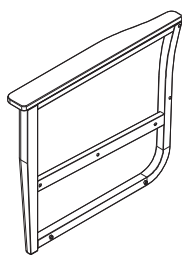
SPECIFICATIONS





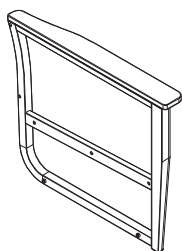
Parts List

A × 2



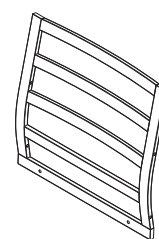
Right Armrest Part

B × 2



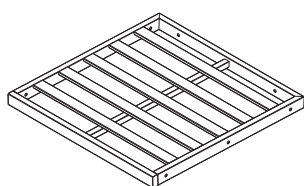
Left Armrest Part

C × 2



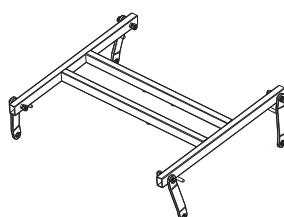
Back Plate Part

D × 2



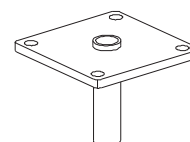
Seat Plate Part

E × 2



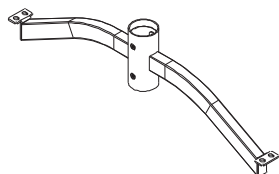
Swing Bracket

F × 2



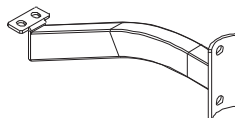
T-Plate

G × 2



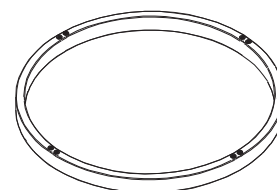
Cross Long Rod

H × 4



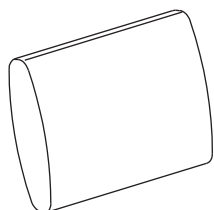
Cross Short Rod

I × 2



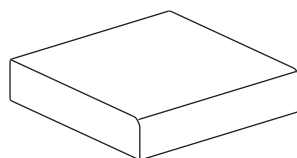
Bottom Plate

J × 2



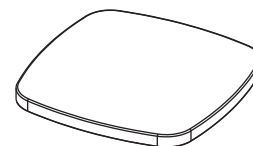
Back Cushion

K × 2



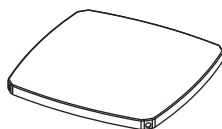
Seat Cushion

L × 1



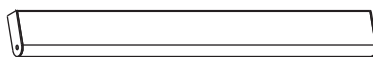
Coffee Table Top

M × 1



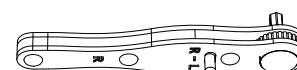
Coffee Table Shelf

N × 4



Coffee Table Leg

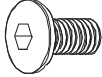
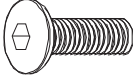
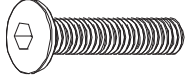
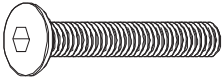
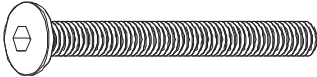
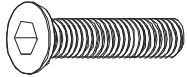
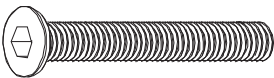







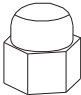
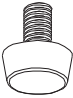


O × 1



Ratchet Spanner



Screw Set List

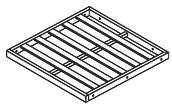
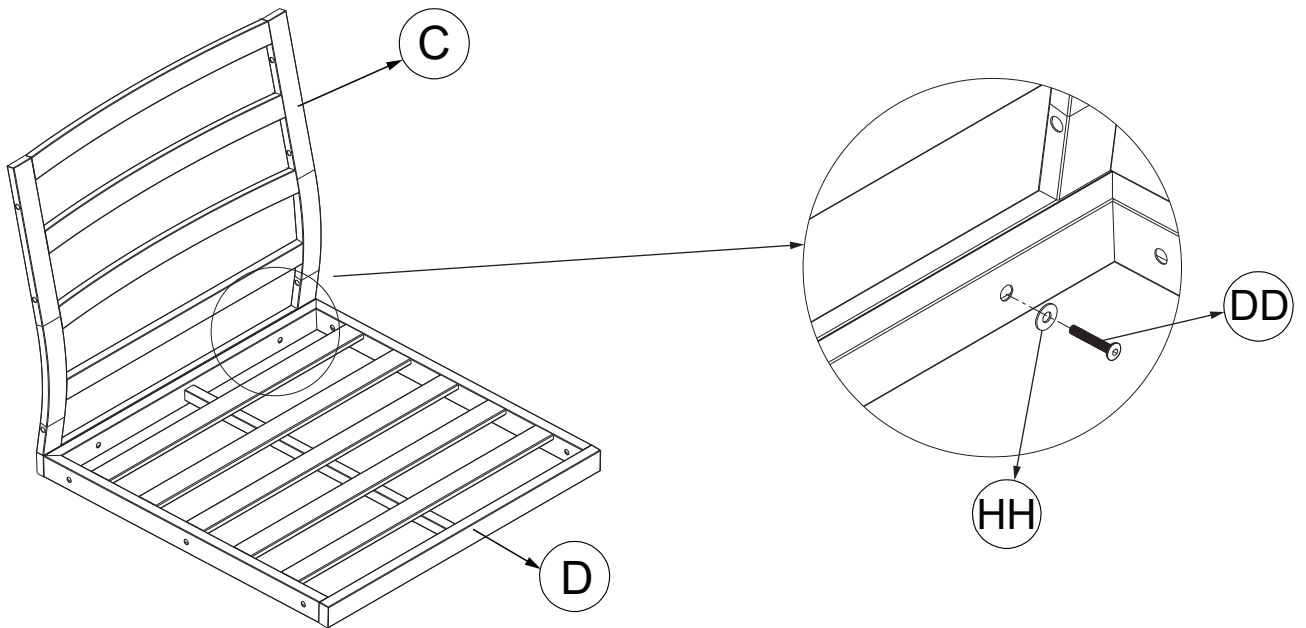
AA × 8  Bolt M6 × 10	BB × 24  Bolt M6 × 15	CC × 2  Bolt M6 × 30
DD × 16  Bolt M6 × 35	EE × 8  Bolt M6 × 55	FF × 8  Bolt M8 × 25
GG × 8  Bolt M8 × 60	HH × 56  Washer M6	II × 16  Washer M8
JJ × 2  M6	KK × 16  M8	LL × 2  Washer M6 × 29
MM × 8  Nut M8	NN × 58  Bolt Cap M6/M8	OO × 8  M8
PP × 16  M8	QQ × 1  Allen wrench	R × 1  M8

WARNING: Failure to locate parts in accordance with these diagrams, or failure to use special parts provided with this equipment, may result in property damage or personal injury.



Step 1: As shown in the figure, first place the seat plate (D) and back plate (C) according to the position indicated in the diagram, and align the holes. Then insert the bolts (DD) through the washers (HH) and screw them into the holes.

Note: Only hand-tighten the bolts at this stage; do not use tools to fully tighten them.



D x 1



C x 1



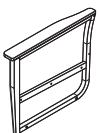
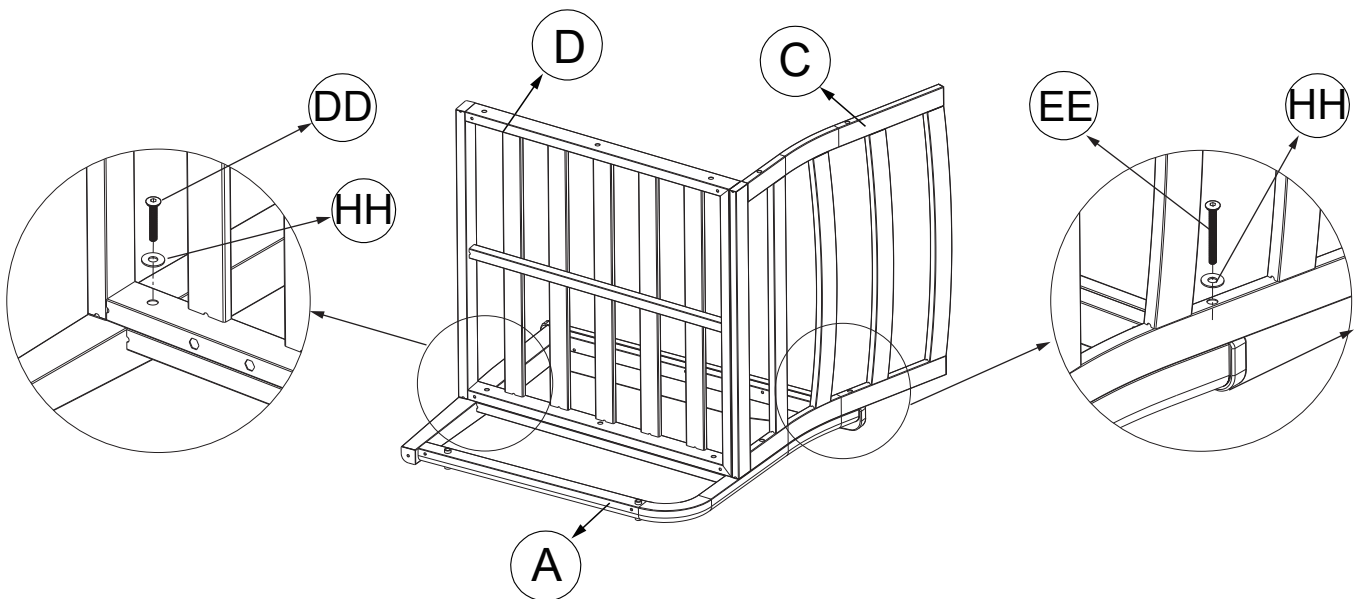
M6x35 DD x 2



M6 HH x 2

Step 2: As shown in the figure, align the side holes of the installed seat plate (D) with the inner holes of the right armrest (A). Then insert the bolts (AA) through the washers (CC) and screw them into the three side holes; insert the bolts (BB) through the washers (CC) and screw them into the aligned holes of the back plate and the armrest.

Note: Only hand-tighten the bolts at this stage; do not use tools to fully tighten them.



A x 1



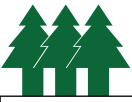
M6x35 DD x 3



M6x55 EE x 2

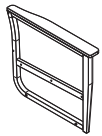
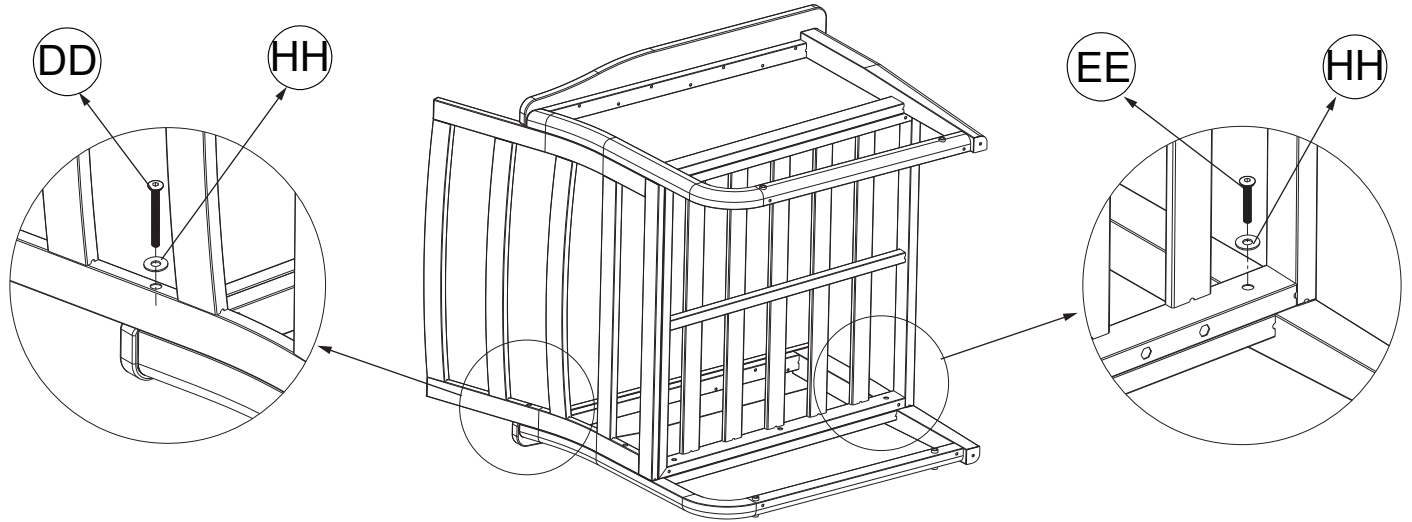


M6 HH x 5



Step 3: Install the handrail (B) on the symmetrical side by following the same method as in Step 2, using the already installed side as a reference.

Note: After all screws have been installed, use a tool to fully tighten each one.



B x 1



DD x 3

M6x35



EE x 2

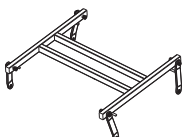
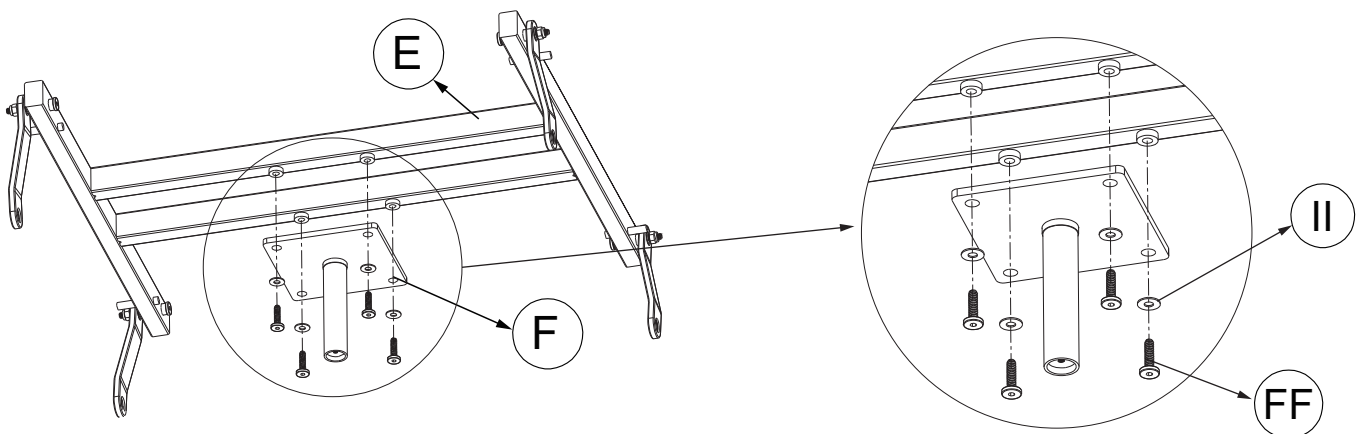
M6x55



HH x 5

M6

Step 4: As shown in the figure, install the T-shaped plate into the lower hole of the swing part. Then, fit the bolts (FF) with the washers (II) and screw them into the holes. Tighten all screws completely.



E x 1



F x 1



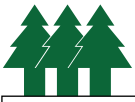
FF x 4

M8x25

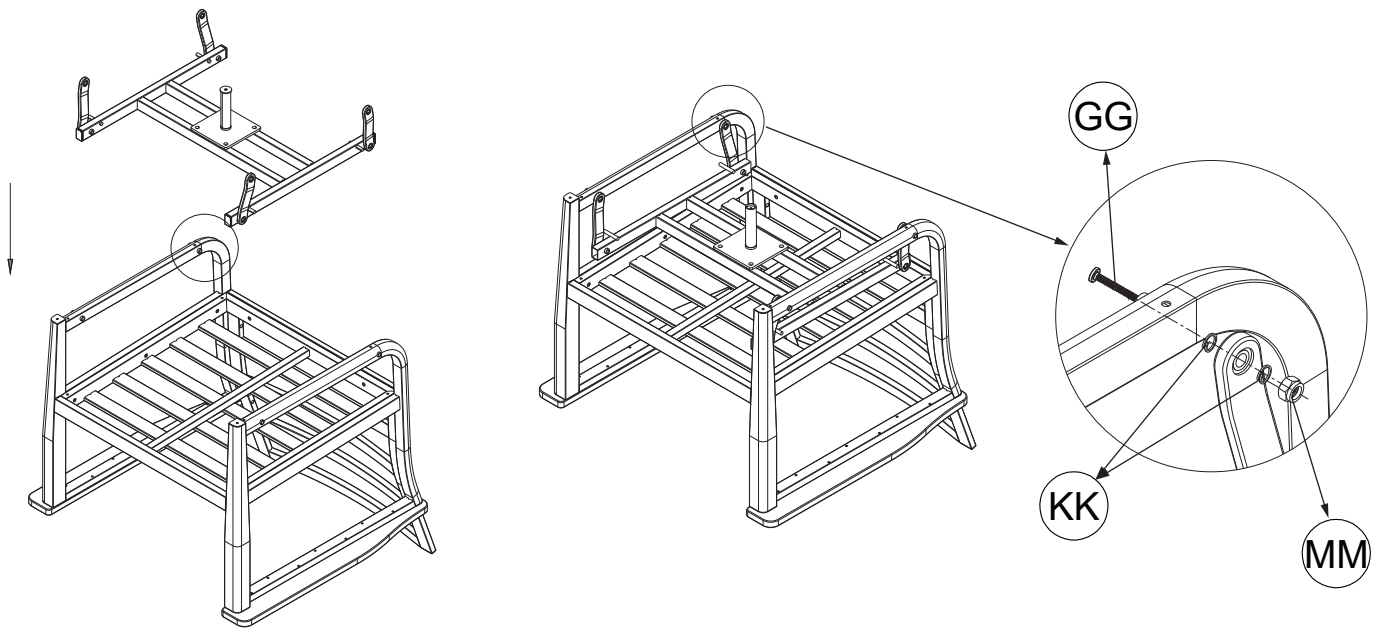


II x 4

Washer M8



Step 5: As shown in the figure, install the already mounted swing arm lever under the seat according to the position and direction indicated in the figure. Then install the screws in the sequence specified in the partial view, and tighten them with a wrench after installation.



GG x 4

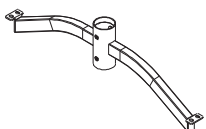
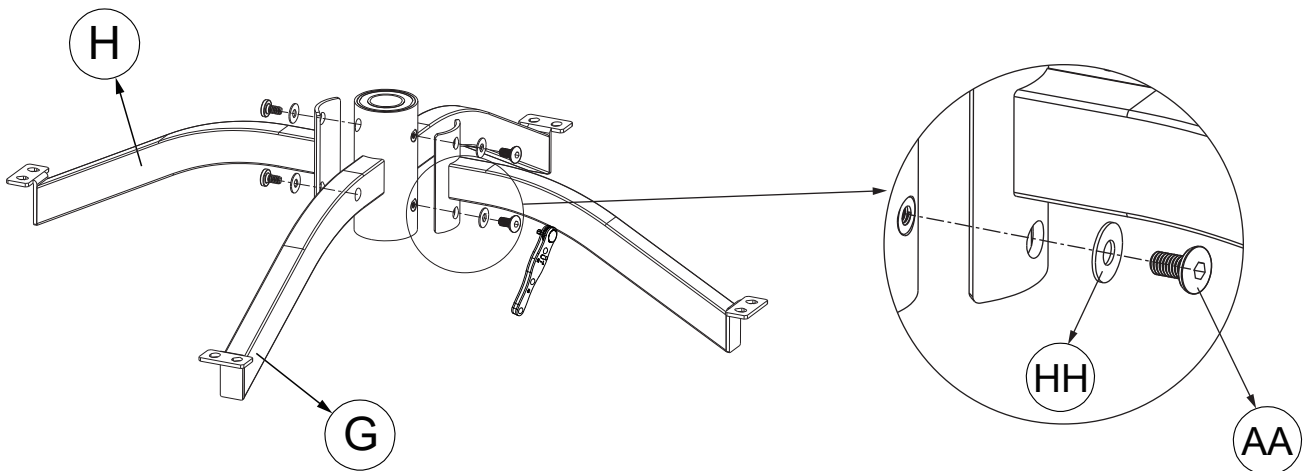


MM x 4

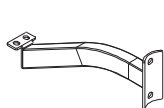


KK x 8

Step 6: Install the bottom support according to the position shown in the figure. Align the holes on both sides of the short rod with those of the long rod, then fit the bolts (AA) with the washers (HH), screw them into the holes, and tighten them. Note that a ratchet wrench must be used to install the bolts in the lower holes here; using an electric drill may easily strip the screw heads.



G x 1



H x 2



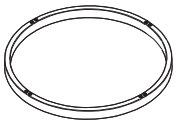
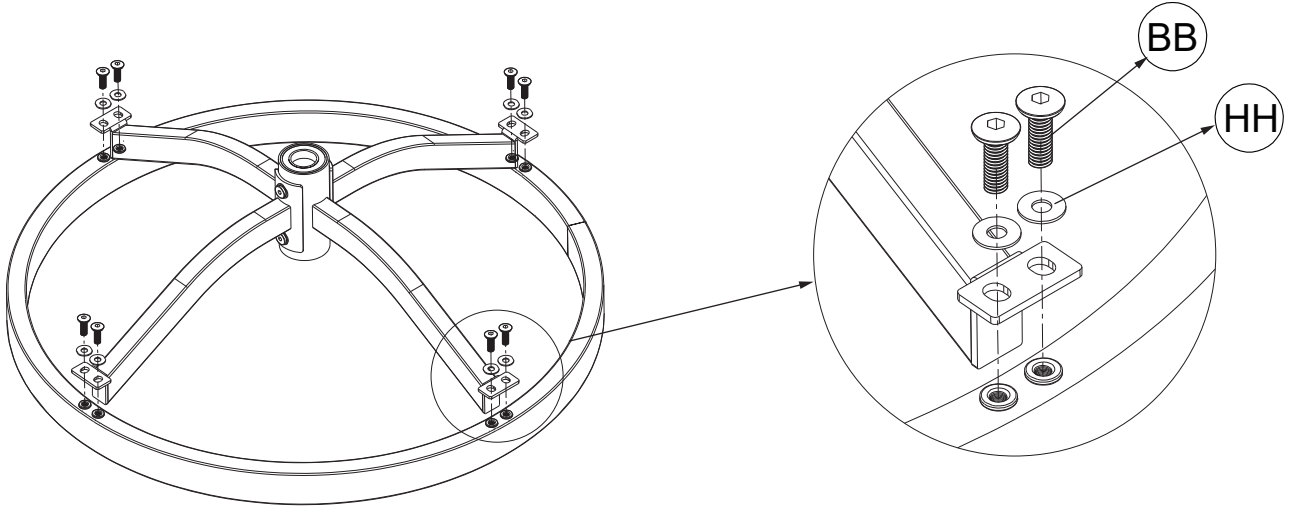
AA x 4



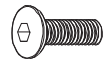
HH x 4



Step 7: Clamp the support lugs installed in the previous step into the holes on the disk (I). Then, fit the bolts (BB) with the washers (HH) and tighten them securely.



I x 1



M6x15

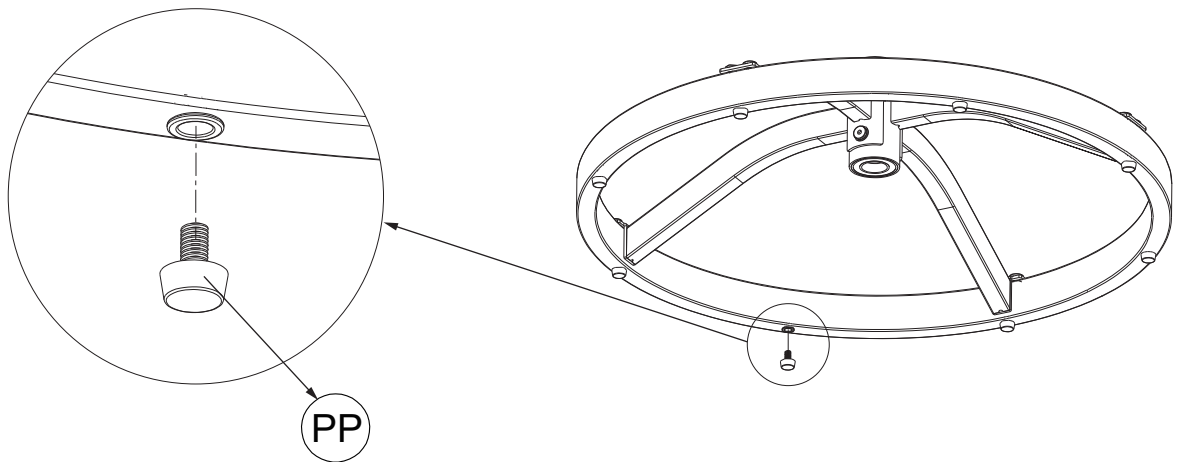
BB x 8



M6

HH x 8

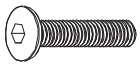
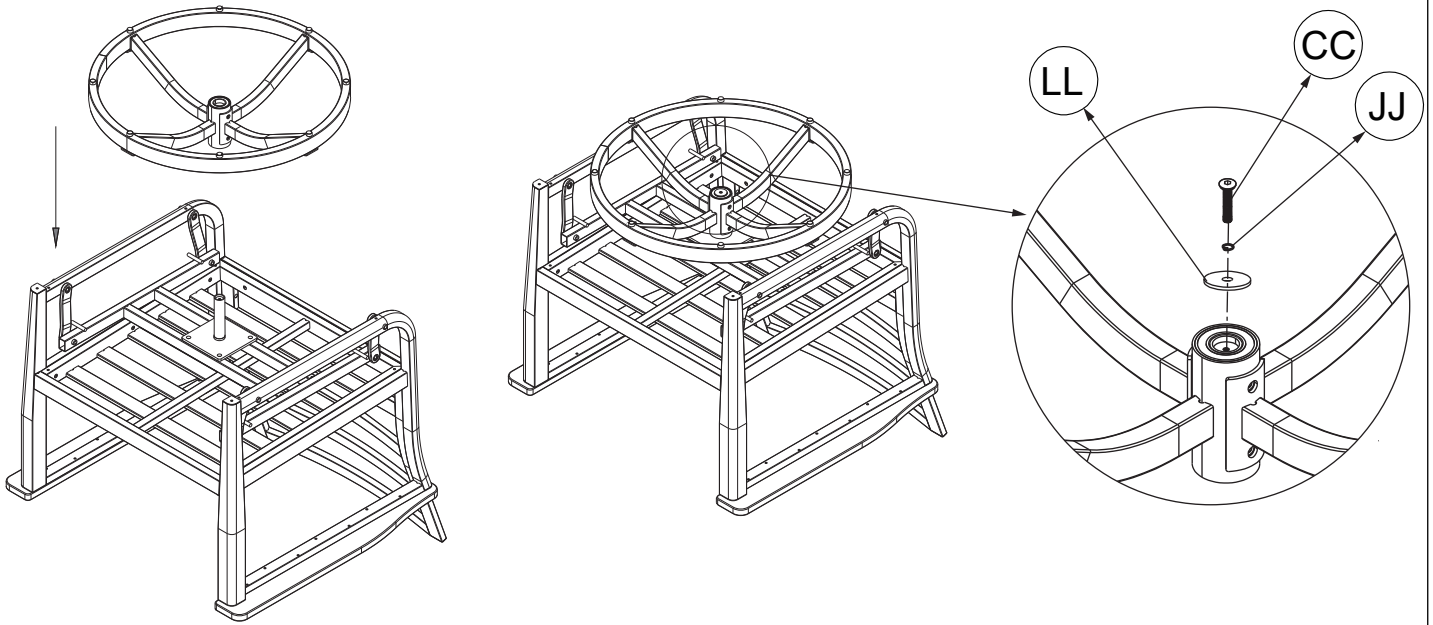
Step 8: Screw the adjustment screws (PP) into the bottom of the disk. Note that they need to be fully screwed in.



PP x 8



Step 9: Turn the assembled base upside down and insert it into the long rod part at the bottom of the T-shaped plate. Then arrange the screws in the sequence shown in the figure and tighten them securely to fix the base.



M6×30

CC x 1



M6

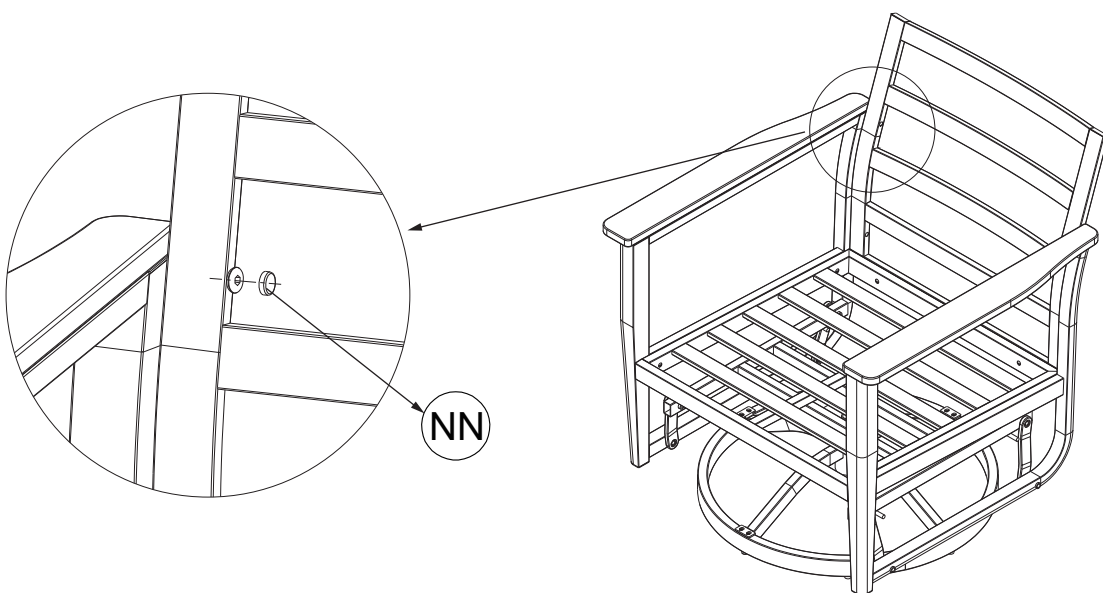
JJ x 1



M6×29

LL x 1

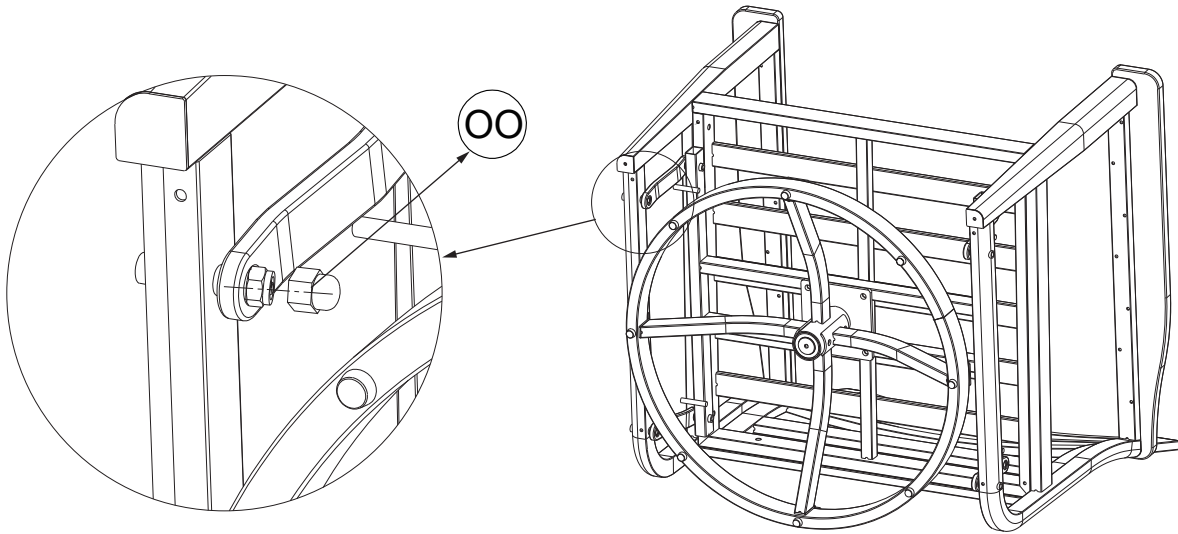
Step 10: Snap the bolt caps (NN) onto all screw heads and press firmly to secure them.
Note: Before installing the caps, check that all screws are fully tightened and inspect for any other assembly issues.



NN x 25



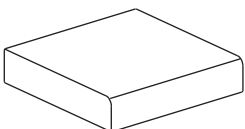
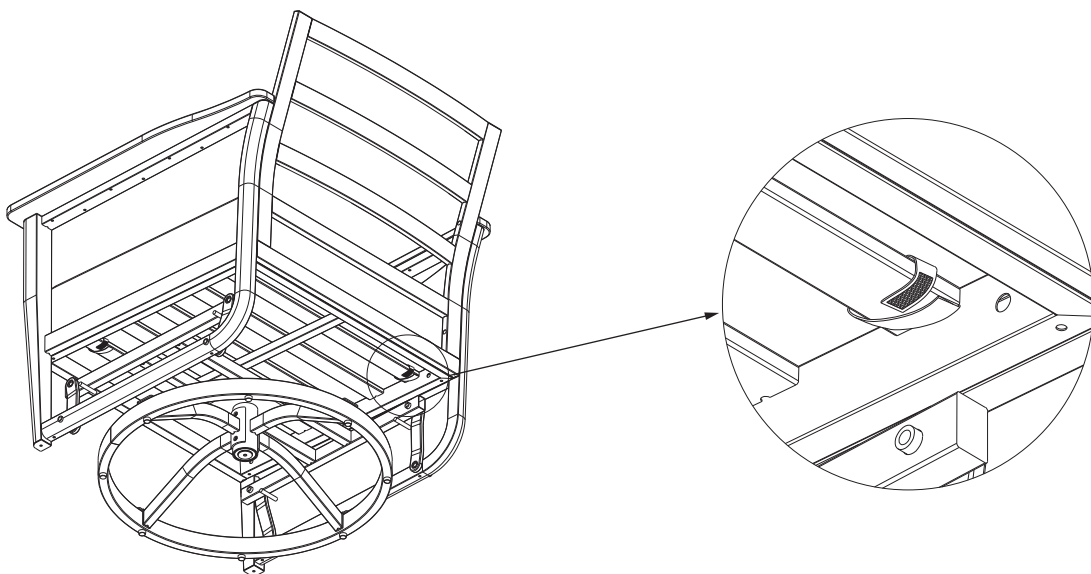
Step 11: Press the nut caps (OO) firmly to cover the inner nuts on the bottommost side of the rocker arm.



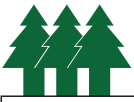
OO x 4

Step 12: Place the cushion(F) on the seat panel, and fasten the hook-and-loop straps underneath to the seat slats.

Note: When installing, ensure the beveled edge faces forward.

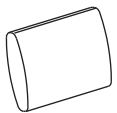
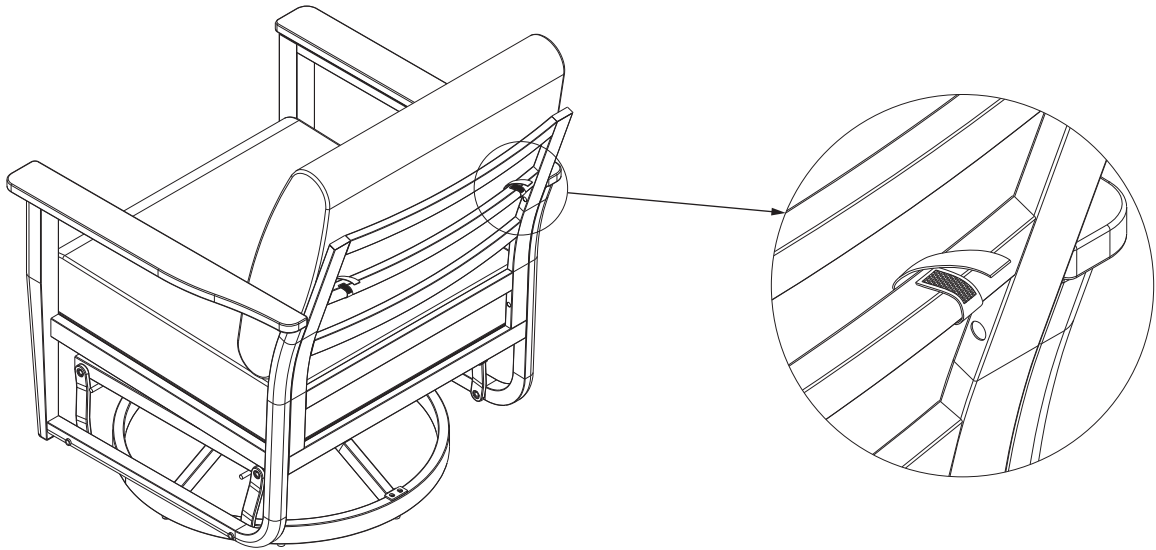


K x 1



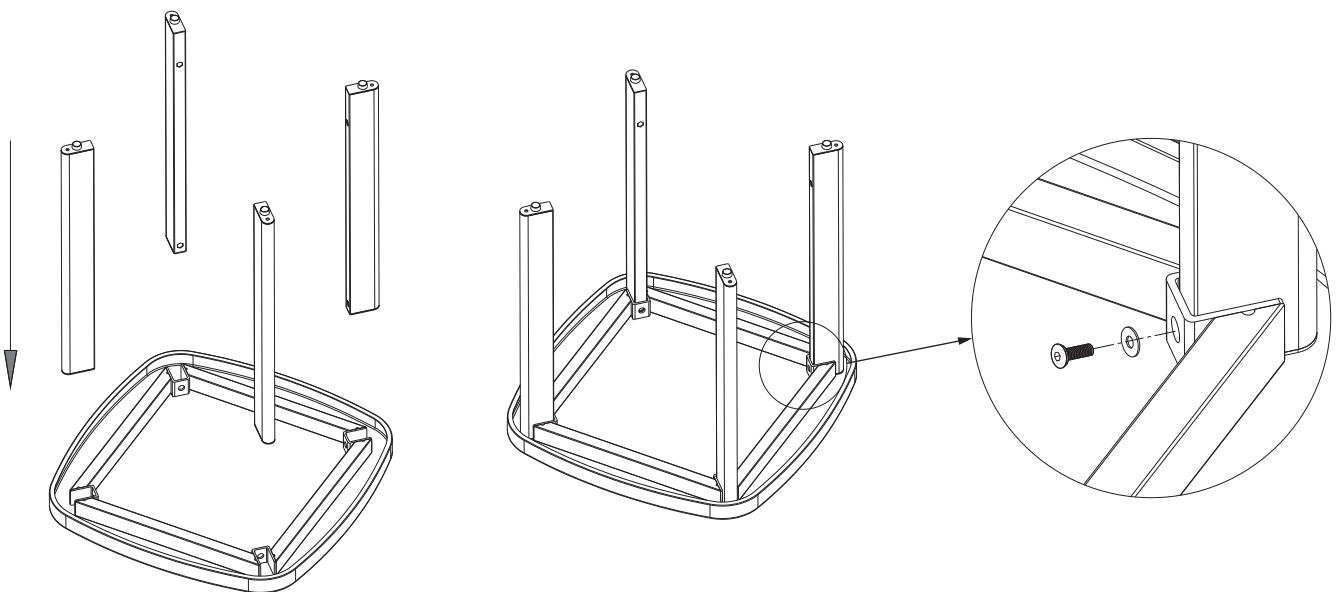
Step 13: Place the back cushion(E) on the back panel and wrap the hook-and-loop straps around the back panel slats.

Note: Ensure the side of the back cushion with the zipper faces downward.

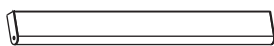


J x 1

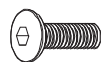
Step 14: Align the holed side of the coffee table legs (N) with the surrounding area at the bottom of the tabletop (L). After aligning the holes, fit the bolts (BB) with the washers (HH) and screw them into the screw holes. Do not fully tighten the screws at this stage.



L x 1

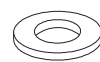


N x 1



M6x15

BB x 4

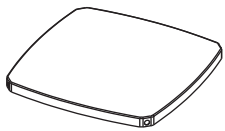
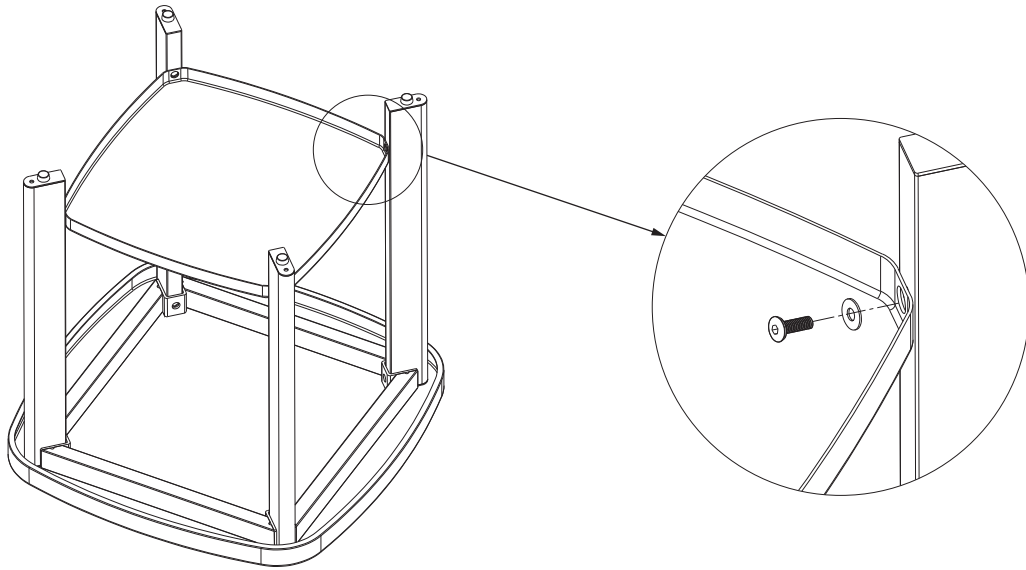


M6

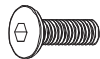
HH x 4



Step 15: Install the coffee table shelf (M) on the inner side of the lower part of the four coffee table legs (N). Fasten it with bolts (BB) and washers (HH), and fully tighten all bolts of the coffee table at this stage.



M x 1



M6x15

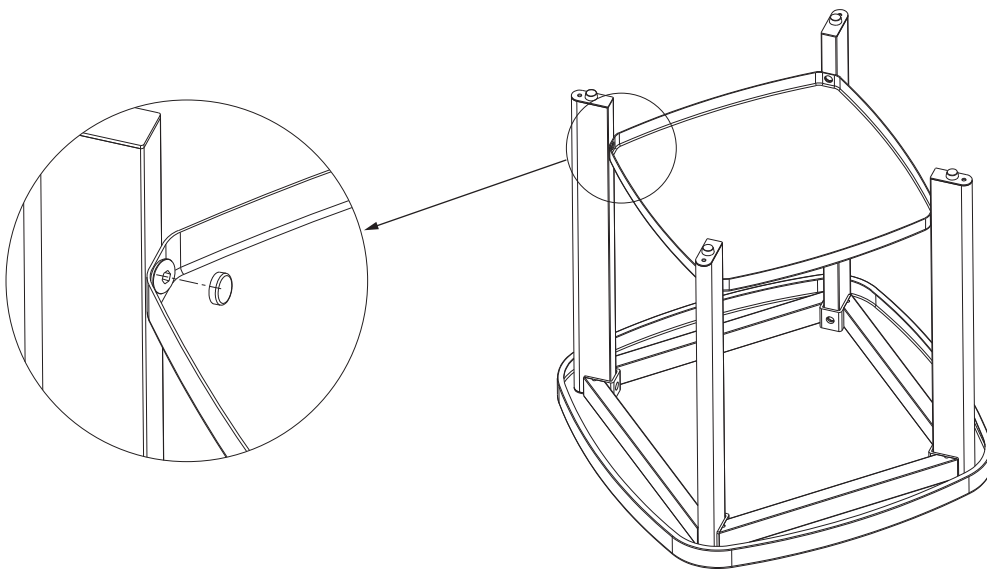
BB x 4



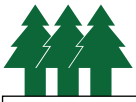
M6

HH x 4

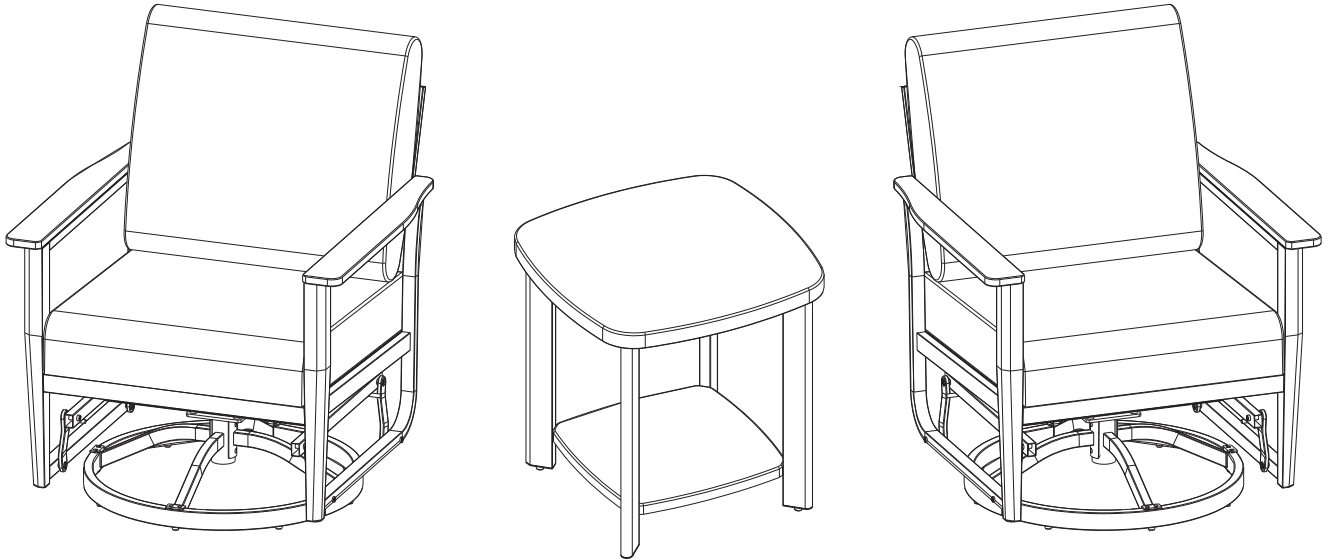
Step 16: Place the bolt caps (NN) over all the bolt heads on the coffee table and press them firmly into place.

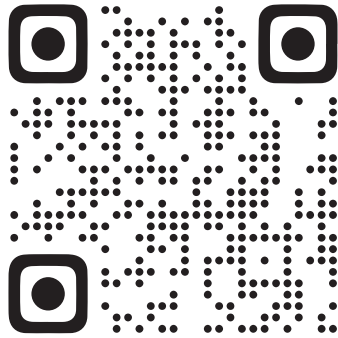


NN x 8



Step 17: Install the other swivel rocking chair following the same steps as above. Finally, you will get a 3-piece set consisting of two swivel rocking chairs and one coffee table.





Scan the QR code to
learn more about our product.