




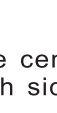

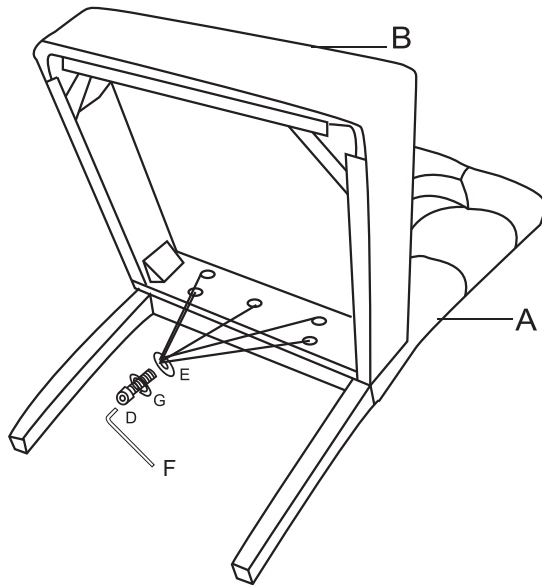


	Ax1 BACK	Bx1 SEAT	Cx2 FRONT LEGS	Dx9 SCREWS	Ex9 WASHER	Fx1 SPANNER	Gx9 SPRING WASHER
				 M8x60mm			

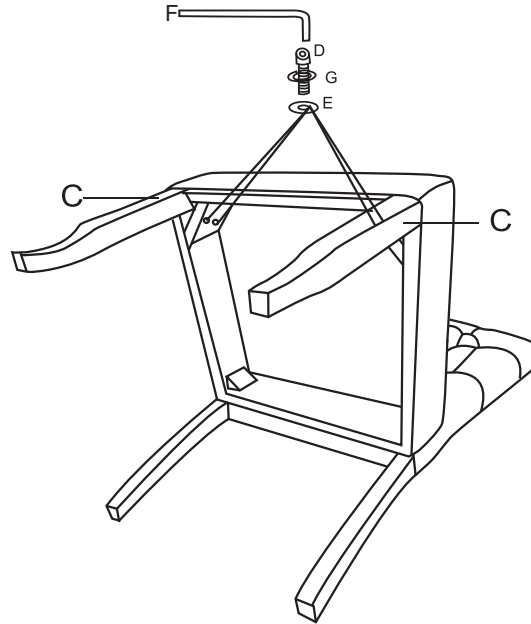
### STEP1



Loosely install the center bolt first, then loosely install both sides

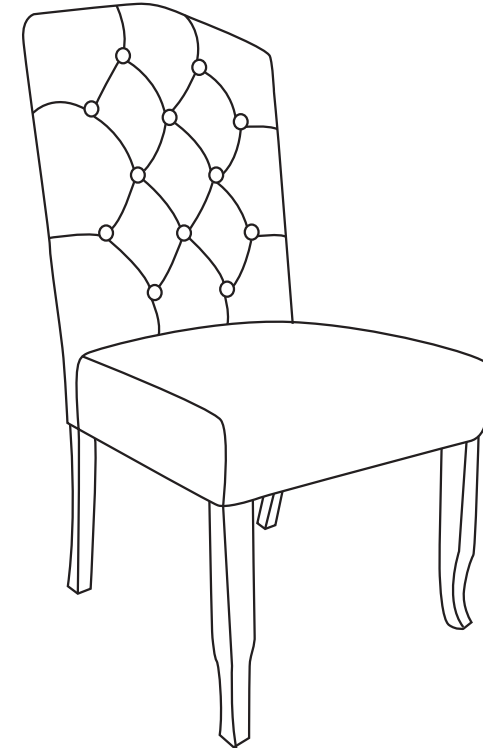
### STEP2

Firm pressure is required to push legs into the leg pockets



Tighten all bolts properly on even ground

## ASSEMBLY INSTRUCTION



CLEANING OF PULEATHER COVER - WIPE CLEAN WITH A SOFT CLOTH MOISTENED WITH WATER AND NEUTRAL DETERGENT. DO NOT USE BLEACH,CHEMICAL OR BIOLOGICAL CLEANERS.