



by Stevens Industries, Inc.
 704 West Main St.
 Teutopolis, IL 62467
 P: 800.350.3270
 P: 217-857-7100 • F: 217-857-7101
 www.totmate.com

TM2137R

ATTENTION

Please unpack and assemble in an area away from children's activities. Remove all tools and excess materials from work area after assembly of unit is complete. Dispose of pallet and packaging materials in an environmentally friendly manner. If any parts are missing or damaged, please call Stevens for immediate parts replacement (1-800-350-3270).
 When ordering parts, give the Model Number and Color of the unit.



CAUTION – CHOKING HAZARD

Adult assembly required due to presence of small parts and sharp edges.



TM2137R
Activity Cube

Parts List				
ITEM	QTY	PART #	DESCRIPTION	
1	1	4163-0055	End L	
2	1	4163-0056	End R	
3	1	51XX-1315	Seat	
4	1	51XX-1314	Back	
5	8	0861-0203000000	Screw Conn HxDc Ni 7mmx 50mm	

2-PERSON ASSEMBLY RECOMMENDED.

IMPORTANT!
 Be sure to keep all parts supported during assembly to avoid damage. Do not over-tighten screws or it will damage the pre-drilled holes; snug fit is adequate.

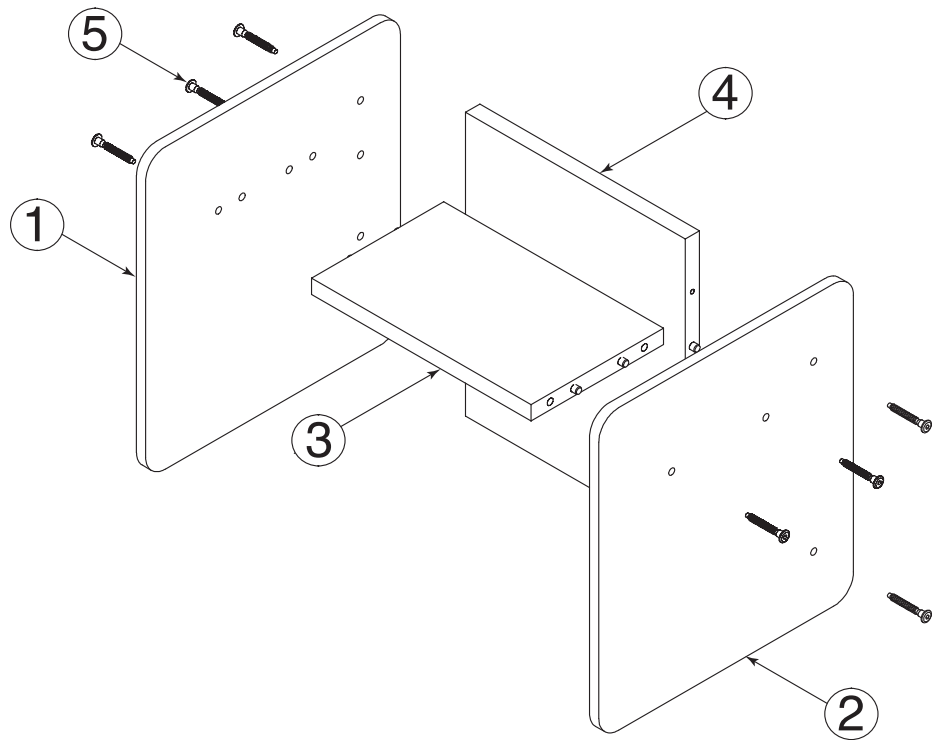
HARDWARE / TOOLS INCLUDED



Confirmat Bolt (5)
 (Screw Conn HxDc Ni 7mmx50mm)



Hex Wrench

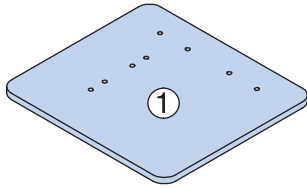




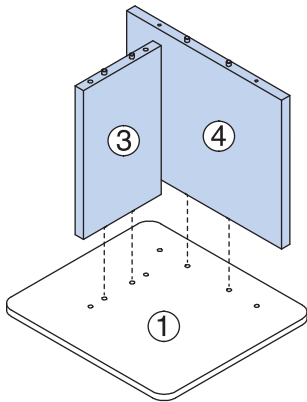
TM2137R

STEP-BY-STEP ASSEMBLY

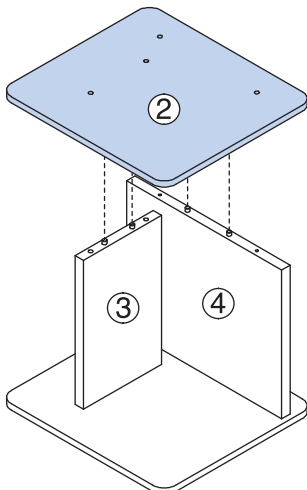
STEP 1 Lay **Left End (1)** flat on floor, with side having the most holes facing up.



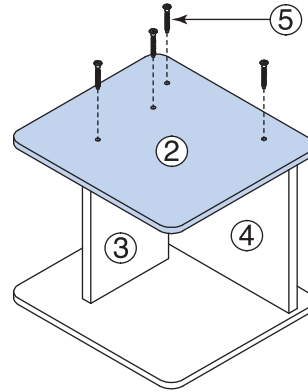
STEP 2 Insert dowels on **Seat (3)** and **Back (4)** into holes on **Left End (1)**. Press firmly into place.



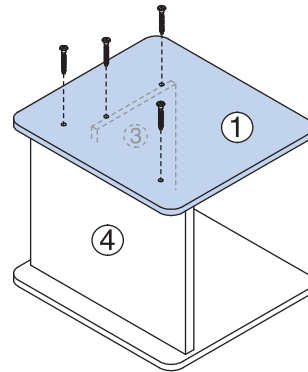
STEP 3 Position **Right End (2)** on top of assembly, making sure dowels on **Seat (3)** and **Back (4)** align with holes in **Right End (2)**. Press firmly into place.



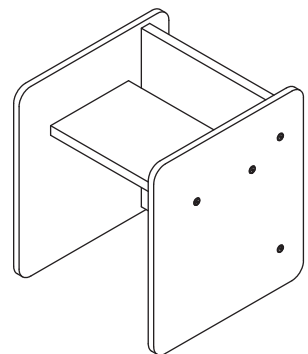
STEP 4 Secure **Right End (2)** to **Seat (3)** and **Back (4)** with four **Confirmat Bolts (5)**, using the included **Hex Wrench**.



STEP 5 Carefully turn unit over, so **Left End (1)** is facing up. Repeat **Step 4** to secure **Left End (1)** to **Seat (3)** and **Back (4)**.



STEP 6 Carefully stand unit upright.



STEP 7 Ensure that all joints and bolts are tight.

This completes the assembly.