



F29915

BUFFALO CROSSING SWING SET

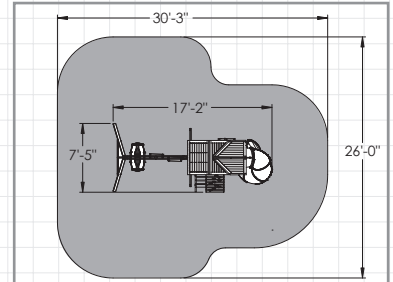


OBSTACLE FREE SAFETY ZONE - 30'-3" L x 26' D (9.2 x 7.9m) area requires Protective Surfacing. See page 4.

MAXIMUM VERTICAL FALL HEIGHT - 6'5" (1.94m)

CAPACITY -10 Users Maximum, Ages 3 to 10; Weight Limit 110 lbs. (50 kg) per child.

RESIDENTIAL HOME USE ONLY. Not intended for public areas such as multi-unit residences, schools, churches, nurseries, day cares or parks.



INSTALLATION AND OPERATING INSTRUCTIONS

FOR 24/7 ONLINE PARTS REPLACEMENT

parts.kidkraft.com

Backyard Kids, LLC DBA KidKraft
317 S. Main St.
Ann Arbor, MI 48104

customerservice@kidkraft.com
1.800.933.0771
972.385.0100

9409915

Rev 12/18/2024

⚠ WARNING

To reduce the risk of serious injury or death, please read and follow these instructions. Keep and refer to instructions as needed and pass along to any future owners of this item.

Congratulations on purchasing a KidKraft product!

Our items are made of high-quality, durable Cunninghamia Lanceolata wood from the cypress family.

Lumber from these trees are known for their light weight and excellent strength. The porosity of this wood allows the moisture to absorb and evaporate in the fibers, resisting rot and bugs.

Engineered for great play, our products also go through extensive testing for safety.

Plus, our team has developed a series of proprietary methods for a simpler, more organized assembly. Less build time and more play time is our motto!

However, during assembly if you have any questions or concerns, please reach out. Our Customer Service can help with missing parts, instructions or maintenance.



Warnings and Safe Play Instructions



CONTINUOUS ADULT SUPERVISION REQUIRED. Most serious injuries and deaths on playground equipment have occurred while children were unsupervised! Our products are designed to meet mandatory and voluntary safety standards. Complying with all warnings and recommendations in these instructions will reduce the risk of serious or fatal injury to children using this play system. Go over the warnings and safe play instructions regularly with your children and make certain that they understand and follow them. Remember on-site adult supervision is required for children of all ages.



WARNING

SERIOUS HEAD INJURY HAZARD

Installation over concrete, asphalt, dirt, grass, carpet and other hard surface creates a risk of serious injury or death from falls to the ground. Install and maintain shock absorbing material under and around play-set as recommended on page 4 of these instructions.

COLLISION HAZARD

Place play-set on level ground at least 1.8m from any obstruction such as a garage or house, fences, poles, trees, sidewalks, walls, landscape timbers, rocks, pavement, planters, garden borders, overhanging branches, laundry lines, and electrical wires. (See OBSTACLE FREE SAFETY ZONE on cover)

CHOKING HAZARD/SHARP EDGES & POINTS

Adult assembly required. This product contains small parts and parts with sharp edges and points. Keep parts away from children until fully assembled.

WARNING LABEL

Owners shall be responsible for maintaining the legibility of the warning labels.

STRANGULATION HAZARD

- NEVER allow children to play with ropes, clotheslines, pet leashes, cables, chains or cord-like items when using this play-set or to attach these items to play-set.
- NEVER allow children to wear loose fitting clothing, ponchos, hoods, scarves, capes, necklaces, items with draw-strings, cords or ties when using this play-set.
- NEVER allow children to wear bike or sport helmets when using this play-set.

Failure to prohibit these items, even helmets with chin straps, increases the risk of serious injury and death to children from entanglement and strangulation.

TIP OVER HAZARD

Choose a level location for the equipment. This can reduce the likelihood of the play set tipping over and loose-fill surfacing materials washing away during heavy rains.

DO NOT allow children to play on the play-set until the assembly is complete and the unit is properly anchored.

Never add extra length to chain or rope. The chains or ropes provided are the maximum length designed for the swinging element(s).



WARNING – Safe Play Instructions

- ✓ Observe capacity limitations of your play-set. See front cover.
- ✓ Dress children with well fitting and full foot enclosing footwear.
- ✓ Teach children to sit with their full weight in the center of the swing seat to prevent erratic swing motion or falling off.
- ✓ Check for splintered, broken or cracked wood; missing, loose, or sharp edged hardware. Replace, tighten and or sand smooth as required prior to playing.
- ✓ Verify that suspended climbing ropes, rope ladders, chain or cable are secured at both ends and cannot be looped back on itself as to create an entanglement hazard.
- ✓ On sunny and or hot days, check the slide and other plastic rides to assure that they are not very hot as to cause burns. Cool hot slide and rides with water and wipe dry prior to using.
- ✓ Orientate slide such that it gets the least amount of exposure to the sun.
- ✗ Do not allow children to wear open toe or heel footwear like sandals, flip-flops or clogs.
- ✗ Do not allow children to walk, in front, between, behind or close to moving rides.
- ✗ Do not let children twist swing chains or ropes or loop them over the top support bar. This may reduce the strength of the chain or rope and cause premature failure.
- ✗ Do not let children get off rides while they are in motion.
- ✗ Do not permit climbing on equipment when it is wet.
- ✗ Do not permit rough play or use of equipment in a manner for which it was not intended. Standing on or jumping from the roof, elevated platforms, swings, climbers, ladders or slide can be dangerous.
- ✗ Do not allow children to swing empty rides or seats.
- ✗ Do not allow children to go down slide head first or run up slide.

⚠ Protective Surfacing - Reducing Risk of Serious Head Injury From Falls

One of the most important things you can do to reduce the likelihood of serious head injuries is to install shock-absorbing protective surfacing under and around your play equipment. The protective surfacing should be applied to a depth that is suitable for the equipment height in accordance with ASTM F1292. There are different types of surfacing to choose from; whichever product you select, follow these guidelines:

Loose-Fill Materials

- Maintain a minimum depth of 9 inches (23 cm) of loose-fill materials such as wood mulch/chips, engineered wood fiber (EWF), or shredded/recycled rubber mulch for equipment up to 8 feet (2.45 m) high; and 9 inches (23 cm) of sand or pea gravel for equipment up to 5 feet (1.5 m) high. NOTE: An initial fill level of 12 inches (31 cm) will compress to about a 9-inch (23 cm) depth of surfacing over time. The surfacing will also compact, displace, and settle, and should be periodically raked and refilled to maintain at least a 9-inch (23 cm) depth.
- Use a minimum of 6 inches (16 cm) of protective surfacing for play equipment less than 4 feet (1.22 m) in height. If maintained properly, this should be adequate. (At depths less than 6 inches (16 cm), the protective material is too easily displaced or compacted.)

NOTE: Do not install home playground equipment over concrete, asphalt, or any other hard surface. A fall onto a hard surface can result in serious injury to the equipment user. Grass and dirt are not considered protective surfacing because wear and environmental factors can reduce their shock absorbing effectiveness. Carpeting and thin mats are not adequate protective surfacing. Ground level equipment -- such as a sandbox, activity wall, playhouse or other equipment that has no elevated play surface -- does not need any protective surfacing.

- Use containment, such as digging out around the perimeter and/or lining the perimeter with landscape edging. Don't forget to account for water drainage.
- Periodically rake, check and maintain the depth of the loose-fill surfacing material. Marking the correct depth on the play equipment support posts will help you to see when the material has settled and needs to be raked and or replenished. Be sure to rake and evenly redistribute the surfacing in heavily used areas.
- Do not install loose fill surfacing over hard surfaces such as concrete or asphalt.

Poured-In-Place Surfaces or Pre-Manufactured Rubber Tiles

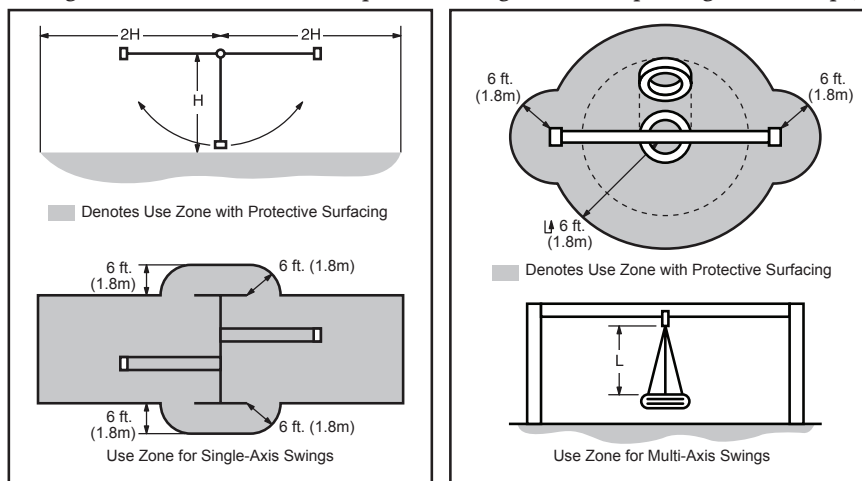
You may be interested in using surfacing other than loose-fill materials - like rubber tiles or poured-in-place surfaces.

- Installations of these surfaces generally require a professional and are not "do-it yourself" projects.
- Review surface specifications before purchasing this type of surfacing. Ask the installer/manufacturer for a report showing that the product has been tested to the following safety standard: ASTM F1292 *Standard Specification for Impact Attenuation of Surfacing Materials within the Use Zone of Playground Equipment*. This report should show the specific height for which the surface is intended to protect against serious head injury. This height should be equal to or greater than the fall height - vertical distance between a designated play surface (*elevated surface for standing, sitting, or climbing*) and the protective surfacing below - of your play equipment.
- Check the protective surfacing frequently for wear.

Placement

Proper placement and maintenance of protective surfacing is essential. Refer to diagram on front cover. Be sure to;

- Extend surfacing at least 6 feet (1.8 m) from the equipment in all directions.
- For to-fro swings, extend protective surfacing in front of and behind the swing to a distance equal to twice the height of the top bar from which the swing is suspended.
- For tire swings, extend surfacing in a circle whose radius is equal to the height of the suspending chain or rope, plus 6 feet (1.8 m) in all directions.

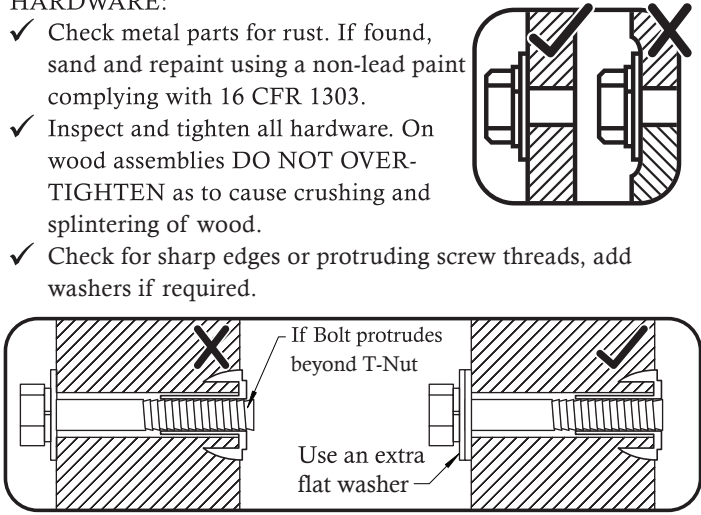
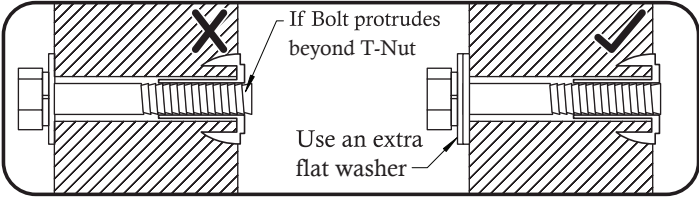


From the CPSC Outdoor Home Playground Safety Handbook. At <http://www.playgroundregs.com/resources/CPSC%20324.pdf>

Instructions for Proper Maintenance

Your KidKraft Play System is designed and constructed of quality materials with your child's safety in mind. As with all outdoor products used by children, it will weather and wear. To maximize the enjoyment, safety and life of your Play Set, it is important that you, the owner, properly maintain it. Failure to follow maintenance directions below can cause the swing set to overturn or otherwise become a hazard to children.

Check the following at the beginning of the play season:

<p>HARDWARE:</p> <ul style="list-style-type: none"> ✓ Check metal parts for rust. If found, sand and repaint using a non-lead paint complying with 16 CFR 1303. ✓ Inspect and tighten all hardware. On wood assemblies DO NOT OVER-TIGHTEN as to cause crushing and splintering of wood. ✓ Check for sharp edges or protruding screw threads, add washers if required.   <p>SHOCK ABSORBING SURFACING:</p> <ul style="list-style-type: none"> ✓ Check for foreign objects. Rake and check depth of loose fill protective surfacing materials to prevent compaction and maintain appropriate depth. Replace as necessary. (See Protective Surfacing, page 4) 	<p>GROUND STAKES (ANCHORS):</p> <ul style="list-style-type: none"> ✓ Check for looseness, damage or deterioration. Should firmly anchor unit to ground during use. Re-secure and or replace, if necessary. <p>SWING HANGERS:</p> <ul style="list-style-type: none"> ✓ Check that bolts are secure and tight. Quick clips should be completely closed and threaded clips screwed tight. ✓ If squeaking occurs lubricate bushings with oil or WD-40®. <p>SWINGS, ROPES AND RIDES:</p> <ul style="list-style-type: none"> ✓ Reinstall if removed during cold season. Check all moving parts including swing seats, ropes, chains and attachments for wear, rust and other deterioration. Replace as needed. ✓ Check that ropes are tight, secure at both ends and cannot loop back as to create an entrapment. <p>WOOD PARTS:</p> <ul style="list-style-type: none"> ✓ Check all wood members for deterioration, structural damage and splintering. Sand down splinters and replace deteriorated wood members. As with all wood, some checking and small cracks in grain is normal. ✓ Applying a water repellent or stain (water-based) on a yearly basis is important maintenance to maintain maximum life and performance of the product.
--	---

Check twice a month during play season:

<p>HARDWARE:</p> <ul style="list-style-type: none"> ✓ Inspect for tightness. Must be firmly against, but not crushing the wood. DO NOT OVER-TIGHTEN. This will cause splintering of wood. ✓ Check for sharp edges or protruding screw threads. Add washers if required. 	<p>SHOCK ABSORBING SURFACING:</p> <ul style="list-style-type: none"> ✓ Rake and check depth of loose fill protective surfacing materials to prevent compaction and maintain appropriate depth. Replace as necessary. (See Protective Surfacing, page 4)
---	---

Check once a month during play season:

<p>SWING HANGERS:</p> <ul style="list-style-type: none"> ✓ Check that they are secure and orientated correctly. Hook should rotate freely and perpendicular to support beam. ✓ If squeaking occurs lubricate bushings with oil or WD-40®. 	<p>SWINGS AND RIDES:</p> <ul style="list-style-type: none"> ✓ Check swing seats, all ropes, chains and attachments for fraying, wear, excessive corrosion or damage. Replace if structurally damaged or deteriorated.
--	---

Check at the end of the play season:

<p>SWINGS AND RIDES:</p> <ul style="list-style-type: none"> ✓ To prolong their life, remove swings and store inside when outside temperature is below 32°F/0°C. Below freezing, plastic parts may become more brittle. 	<p>SHOCK ABSORBING SURFACING:</p> <ul style="list-style-type: none"> ✓ Rake and check depth of loose fill protective surfacing materials to prevent compaction and maintain appropriate depth. Replace as necessary. (See Protective Surfacing, page 4)
--	---

If you dispose of your play set: Please disassemble and dispose of your unit so that it does not create any unreasonable hazards at the time it is discarded. Be sure to follow your local waste ordinances.

About Our Wood

KidKraft Premium Play Systems uses only premium playset lumber, ensuring the safest product for your children's use. Although we take great care in selecting the best quality lumber available, wood is still a product of nature and susceptible to weathering which can change the appearance of your set.

What causes weathering? Does it affect the strength of my Play System?

One of the main reasons for weathering is the effects of water (moisture); the moisture content of the wood at the surface is different than the interior of the wood. As the climate changes, moisture moves in or out of the wood, causing tension which can result in checking and or warping. You can expect the following due to weathering. These changes will not affect the strength of the product:

1. **Checking** is surface cracks in the wood along the grain. A post 4" x 4" (101mm x 101mm) will experience more checking than a board 1" x 4" (25mm x 101mm) because the surface and interior moisture content will vary more widely than in thinner wood.
2. **Warping** results from any distortion (twisting, cupping) from the original plane of the board and often happens from rapid wetting and drying of the wood.
3. **Fading** happens as a natural change in the wood color as it is exposed to sun-light and will turn a grey over time.

How can I reduce the amount of weathering to my Play System?

At the factory we have coated the wood with a water repellent or stain. This coating decreases the amount of water absorption during rain or snow thus decreasing the tension in the wood. Sunlight will break down the coating, so we recommend applying a water repellent or stain on a yearly basis (see your local stain and paint supplier for a recommended product).

Most weathering is just the normal result of nature and will not affect safe play and enjoyment for your child. However if you are concerned that a part has experienced a severe weathering problem please call our consumer relations department for further assistance.

Complete and mail registration card to receive important product notifications and assure prompt warranty service.

KidKraft Limited Warranty

MISSING OR DAMAGED PARTS:

KidKraft will replace any parts within 90 days from date of purchase found to be missing from or damaged in the original packaging. See Fig.1

Fig. 1	<u>Product Age (All Parts)</u> 0-90 Days from date of purchase	<u>Consumer Pays</u> \$0 for Part + Free Shipping
--------	---	--

DEFECTS IN MATERIAL AND WORKMANSHIP:

KidKraft warrants that this product is free from defects in materials and workmanship for a period of one (1) year from the original date of purchase (dated sales receipt and/or product registration is required). This one (1) year warranty covers all parts including wood, hardware, and all accessories (Such as swings, rides, and slides). See Fig. 2

Fig. 2	<u>Product Age (All Parts)</u> 91 Days to 1 Year	<u>Consumer Pays</u> \$0 for Part + Free Shipping
--------	---	--

WOOD ROT, DECAY, AND INSECT DAMAGE:

All wood carries a five (5) year warranty against rot, decay, and insect damage (dated sales receipt and/or product registration is required). Refer to the schedule below for charges associated with replacement of wood parts under this **Limited Warranty**. See Fig. 3

Fig. 3	<u>Product Age (Wood Parts)</u> 0 Days to 1 Year After 1 Year to 5 Year Over 5 Years	<u>Consumer Pays</u> \$0 for Part + Free Shipping \$0 for Part + Shipping & Handling 100% for Part (if available) + Shipping & Handling
--------	---	--

This warranty applies to the original owner and registrant and is non-transferable. Regular maintenance is required to ensure the integrity of this product. Failure by the owner to maintain the product according to the maintenance requirements may void this warranty.

This Limited Warranty does NOT cover:

- Any inspection cost
- Labor and/or costs for replacement of any defective item(s), including but not limited to, professional installer costs
- Incidental or consequential damages, including but not limited to, as a result of set relocation, move and/or reinstall
- Cosmetic defects which do not affect performance or integrity of a part or the entire product
- Vandalism, improper use or installation, or acts of nature, including but not limited to, high winds, fire, and flood
- Minor twisting, warping, checking, or any natural occurring properties of wood that do not affect performance or integrity.
- Any KidKraft product purchased, including but not limited to, a non-approved retailer, auction houses, second-hand, and as-is clearance items.

KidKraft products have been designed for safety and quality. Modifications made to the original product may damage the structural integrity of the unit leading to failure and possible injury. KidKraft cannot assume any responsibility for the modified products. Furthermore, modifications void all warranties.

This product is warranted for **RESIDENTIAL USE ONLY**. Under no circumstance should a KidKraft product be used in public settings such as schools, churches, playgrounds, parks, home and professional day cares and the like. Such use may lead to product failure and failure and potential injury. Public use will void this warranty. KidKraft disclaims all other representations and warranties of any kind, express or implied.

Keys to Assembly Success

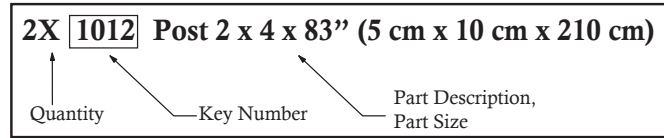
Tools Required

<ul style="list-style-type: none"> • Tape Measure • Carpenter's Level • Carpenter's Square • Claw Hammer • Standard or Cordless Drill • Rubber Mallet 	<ul style="list-style-type: none"> • #1 Phillips and #2 Robertson Screwdrivers • Ratchet with Extension 1/2" (13mm) & 7/16" (11mm) Sockets 	<ul style="list-style-type: none"> • Open-End Wrench 1/2" (13mm) & 7/16" (11mm) • Adjustable Wrench • 1/8" (3mm) Drill Bit 	<ul style="list-style-type: none"> • 3/16" (5mm) Hex Key • 8' (2.4m) Step Ladder • Safety Glasses • Adult Helpers • Pencil
---	--	---	---

Part Identification Key

Listed on each page are the parts and quantities required to complete the assembly step illustrated on that page.

EXAMPLE



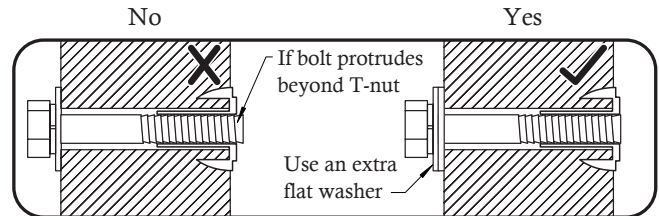
Symbols

Throughout these instructions, symbols are provided as important reminders for proper and safe assembly.

<p>This identifies information that requires special attention. Improper assembly could lead to an unsafe or dangerous condition.</p>	<p>Check that the set or assembly is properly level before proceeding.</p> <p>Use Level</p>
<p>Use Help</p> <p>Use Help</p> <p>Where this is shown, 2 or 3 people are required to safely complete the step. To avoid injury or damage to the assembly, make sure to get help!</p>	<p>Pre-drill 1/8" (3mm) Bit</p> <p>Pre-drill a pilot hole before fastening screw or lag to prevent splitting of wood.</p> <p>3mm</p>
<p>Measure Distance</p> <p>Check that assembly is square before tightening bolts.</p> <p>Square Assembly</p> <p>Use a measuring tape to ensure proper location.</p>	<p>Tighten Bolts</p> <p>This indicates time to tighten bolts, but not too tight! Do not crush the wood. This may create splinters and cause structural damage.</p>

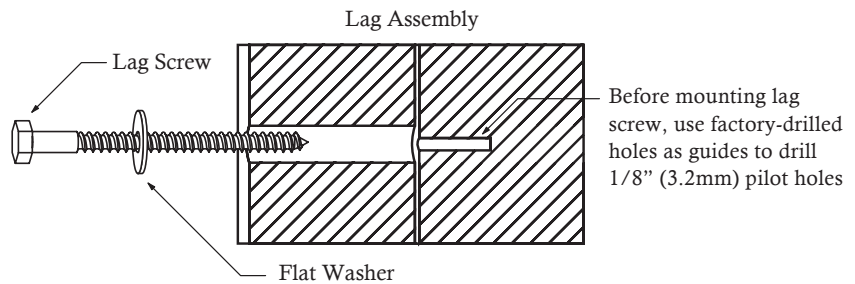
CAUTION – Protrusion Hazard

Once the assembly is tightened, watch for exposed threads. If a thread protrudes from the T-nut, remove the bolt and add washers to eliminate this condition. Extra washers have been provided for this purpose.

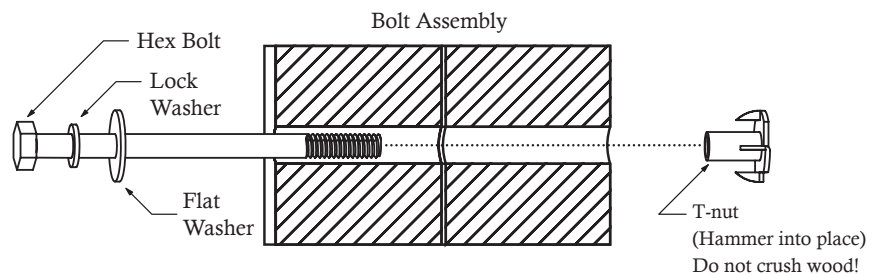


Proper Hardware Assembly

Lag screws require drilling pilot holes to avoid splitting wood. Only a flat washer is required. For ease of installation, liquid soap can be used on all lag-type screws.



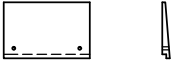
For bolts, tap T-nut into hole with hammer. Insert the hex bolt through lock washer first, then flat washer, then hole. Because the assemblies need to be squared, do not completely tighten until instructed. Pay close attention to diameter of the bolts. 5/16" (8mm) is slightly larger than 1/4" (6.4mm)



Note: Wafer head bolts with blue lock tight or a bolt with a Nylock® nut do NOT require a lock washer.

Part Identification (Reduced Part Size)

4pc. - **2234** - Mid Siding 3/8 x 3 1/2 x 5 3/8" - 3632234 - Box 2



8pc. - **2233** - L&R Siding 3/8 x 3 1/2 x 6 5/8" - 3632233 - Box 2



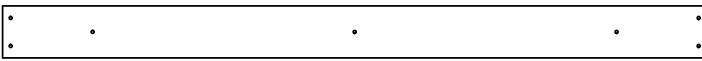
12pc. - **2193** - Siding 3/8 x 3 1/2 x 38 1/2" - 3632193 - Box 3



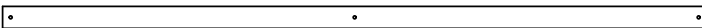
6pc. - **2232** - Siding 3/8 x 3 1/2 x 44" - 3632232 - Box 4



2pc. - **2235** - Wall 1/2 x 4 x 44" - 3632235 - Box 2



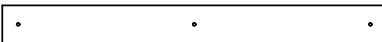
1pc. - **2238** - Filler 1 x 2 x 44" - 3632238 - Box 3



1pc. - **2427** - Short Trim 1 x 3 x 12-1/16" - 3632427 - Box 4



1pc. - **2344** - Mid Trim 1 x 3 x 24 1/4" - 3632344 - Box 4



1pc. - **2245** - Long Trim 1 x 3 x 41-9/16" - 3632245 - Box 2



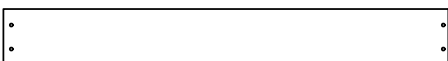
2pc. - **0850** - CE Wall Board 1 x 4 x 17" - 3630850 - Box 2



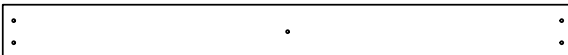
1pc. - **0705** - Cedar Wall 1 x 4 x 23 1/2" - 3630705 - Box 2



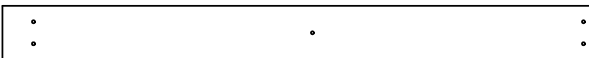
10pc. - **5265** - Cedar Wall 1 x 4 x 28" - 3635265 - Box 3



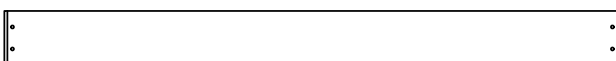
3pc. - **2197** - Floor Board 1 x 4 x 35 5/8" - 3632197 - Box 2



1pc. - **2198** - Floor Board II 1 x 4 x 37" - 3632198 - Box 3



2pc. - **2190** - Wall Board 1 x 4 x 38 1/2" - 3632190 - Box 2



Nominal Size	Actual Size
3/8 x 3 1/2	7/16" x 3 1/2"
1/2 x 4	7/16" x 3 1/4"
1 x 2	5/8" x 1 3/8"
1 x 3	5/8" x 2 3/8"
1 x 4	5/8" x 3 3/8"

Part Identification (Reduced Part Size)

2pc. - **2237** - Back Wall 1 x 4 x 44⁷/₈" - 3632237 - Box 2



Nominal Size	Actual Size
1 x 5	5/8" x 4 1/2"
1 x 6	5/8" x 5 3/8"
5/4 x 3	1" x 2 1/2"
5/4 x 4	1" x 3 1/2"

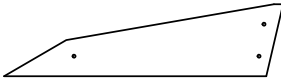
1pc. - **2349** - Roof Board B 1 x 5 x 15" - 3632349 - Box 4



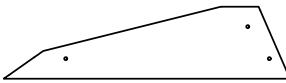
1pc. - **2348** - Roof Board A 1 x 5 x 15⁵/₈" - 3632348 - Box 4



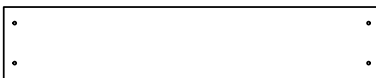
2pc. - **2432** - Sunburst B 1 x 5 x 17-7/16" - 3602432 - Box 4



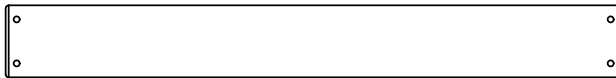
2pc. - **2433** - Sunburst C 1 x 5 x 17⁷/₈" - 3602433 - Box 4



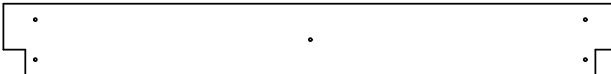
1pc. - **1880** - CE Wall Board 1 x 5 x 23¹/₂" - 3631880 - Box 2



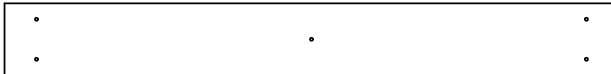
1pc. - **2189** - SL Ground 1 x 5 x 38¹/₂" - 3632189 - Box 2



3pc. - **2231** - Gap Board 1 x 5 x 38³/₈" - 3632231 - Box 3



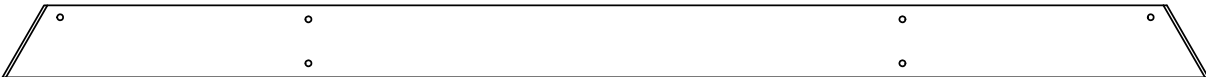
1pc. - **2230** - Floor Board III 1 x 5 x 38³/₈" - 3632230 - Box 2



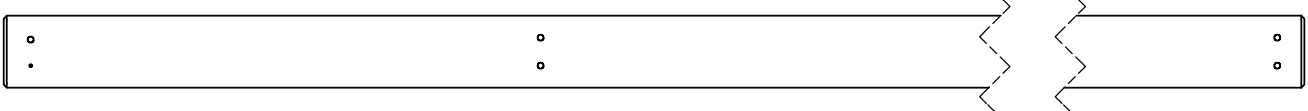
1pc. - **2335** - Back Arch 1 x 5 x 48⁷/₈" - 3632335 - Box 4



1pc. - **2184** - SW Ground 1 x 5 x 75³/₈" - 3632184 - Box 4



1pc. - **2342** - Ground Back 1 x 5 x 87¹/₈" - 3632342 - Box 4



1pc. - **2183** - Front Rail 1 x 6 x 23" - 3632183 - Box 2



5pc. - **2257** - Rock Board B 1 x 6 x 23¹/₂" - 3632257 - Box 2



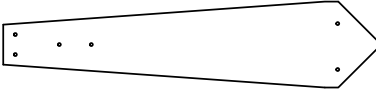
Part Identification (Reduced Part Size)

Nominal Size	Actual Size
1 x 6	5/8" x 5 3/8"
5/4 x 2	1" x 1 1/2"
5/4 x 3	1" x 2 1/2"
5/4 x 4	1" x 3 1/2"

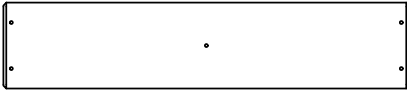
5pc. - **2330** - Rock Board A 1 x 6 x 23 1/2" - 3632330 - Box 2



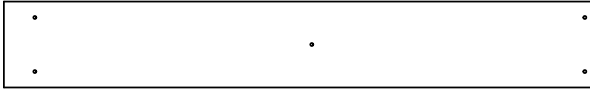
1pc. - **2431** - Sunburst A 1 x 6 x 23 5/8" - 3602431 - Box 4



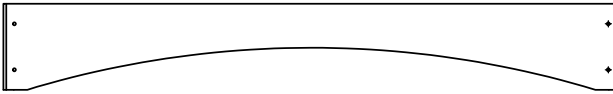
2pc. - **2339** - Crowsnest Floor 1 x 6 x 25 3/8" - 3632339 - Box 4



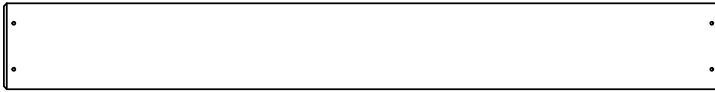
7pc. - **2163** - Floor Board 1 x 6 x 37" - 3632163 - Box 3



1pc. - **2253** - SL Arch 1 x 6 x 38 1/2" - 3632253 - Box 4



1pc. - **2236** - Back Wall 1 x 6 x 44 7/8" - 3632236 - Box 3



1pc. - **2166** - Door Arch 1 x 6 x 55 1/4" - 3632166 - Box 2



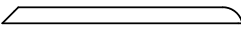
1pc. - **2343** - Ground Front 1 x 6 x 55 1/4" - 3632343 - Box 4



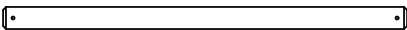
2pc. - **2186** - Back/Front Wall 1 x 6 x 69 1/2" - 3632186 - Box 4



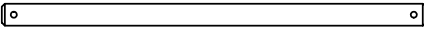
2pc. - **2426** - Roof Trim 5/4 x 2 x 15" - 3632426 - Box 4



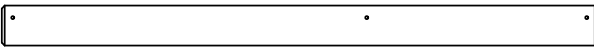
4pc. - **2195** - Siding Upright 5/4 x 2 x 25 1/4" - 3632195 - Box 2



2pc. - **2168** - Window Side 5/4 x 2 x 26 1/2" - 3632168 - Box 4



1pc. - **2249** - Ladder Top 5/4 x 3 x 37 1/4" - 3632249 - Box 2



1pc. - **2331** - Door Stop 5/4 x 3 x 50" - 3632331 - Box 3



4pc. - **2254** - Ladder Tread 5/4 x 4 x 13 7/8" - 3632254 - Box 3



1pc. - **2248** - Ladder Gap 5/4 x 4 x 15" - 3632248 - Box 2



Part Identification (Reduced Part Size)

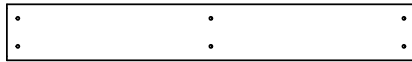
2pc. - **2113** - Gusset II 5/4 x 4 x 18 1/2" - 3632113 - Box 2



1pc. - **2185** - Lower Back 5/4 x 4 x 24" - 3632185 - Box 2



2pc. - **2337** - Crowsnest Back 5/4 x 4 x 25 1/2" - 3632337 - Box 4



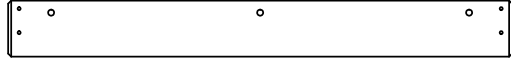
1pc. - **2241** - Roof Support L 5/4 x 4 x 29 3/4" - 3632241 - Box 2



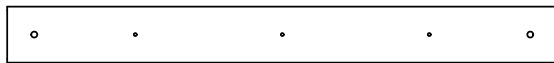
1pc. - **2242** - Roof Support 5/4 x 4 x 29 3/4" - 3632242 - Box 2



1pc. - **2169** - Window Bottom 5/4 x 4 x 31 1/2" - 3632169 - Box 4



2pc. - **2341** - Crowsnest Upright 5/4 x 4 x 34 3/8" - 3632341 - Box 4



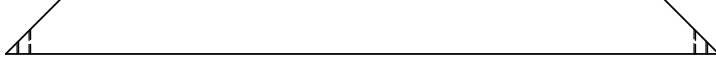
2pc. - **2243** - Large Support L 5/4 x 4 x 37-7/16" - 3632243 - Box 2



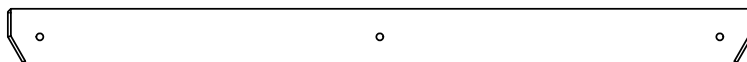
2pc. - **2244** - Large Support 5/4 x 4 x 37-7/16" - 3632244 - Box 2



1pc. - **2240** - Gable Bottom 5/4 x 4 x 44-9/16" - 3632240 - Box 4



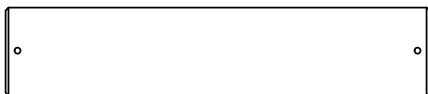
1pc. - **1862** - SW Support 5/4 x 4 x 46 1/2" - 3641862 - Box 3



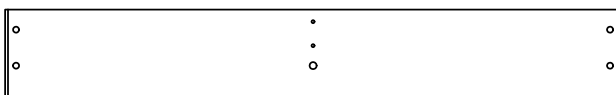
1pc. - **2429** - Starburst Centre 5/4 x 6 x 12" - 3602429 - Box 4



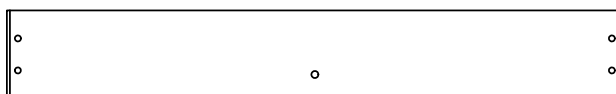
1pc. - **2167** - Window Divider 5/4 x 6 x 26 1/2" - 3632167 - Box 2



1pc. - **2188** - SW End 5/4 x 6 x 38 1/2" - 3632188 - Box 2



1pc. - **2196** - SW Top 5/4 x 6 x 38 1/2" - 3632196 - Box 4



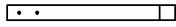
Nominal Size Actual Size

5/4 x 4	1 x 3 1/2
5/4 x 5	1 x 4 1/2
5/4 x 6	1 x 5 1/2

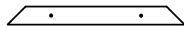
Part Identification (Reduced Part Size)

Nominal Size	Actual Size
5/4 x 6	1 x 5 1/2
2 x 2	1 1/2 x 1 1/2
2 x 3	1 3/8" x 2 1/2"
2 x 4	1 3/8" x 3 3/8"
2 x 6	1 1/2" x 5 3/8"

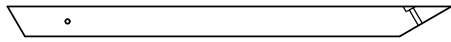
7pc. - **0318** - Ground Stake 1 1/4 x 1 1/2 x 14" - 3650318 - Box 1



2pc. - **2347** - Roof Block 2 x 2 x 14 3/4" - 3632347 - Box 4



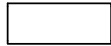
2pc. - **0369** - Lower Diagonal 2 x 3 x 37" - 3640369 - Box 2



1pc. - **4919** - SW Rail Block 2 x 4 x 5 5/8" - 3644919 - Box 2



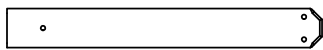
3pc. - **2340** - Crowsnest Joist 2 x 4 x 8 5/8" - 3632340 - Box 4



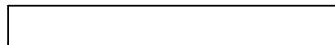
1pc. - **2428** - SL Block 2 x 4 x 10" - 3632428 - Box 4



1pc. - **1450** - SL Support 2 x 4 x 26 1/4" - 3641450 - Box 4



2pc. - **2338** - Crowsnest Face 2 x 4 x 27 1/2" - 3632338 - Box 4



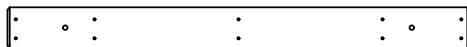
1pc. - **2194** - SW Mount 2 x 4 x 29" - 3632194 - Box 3



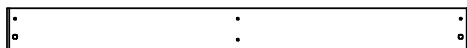
1pc. - **2346** - Porch Top End 2 x 4 x 38 1/2" - 3632346 - Box 4



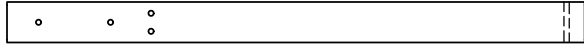
1pc. - **2345** - Porch Floor End 2 x 4 x 38 1/2" - 3632345 - Box 4



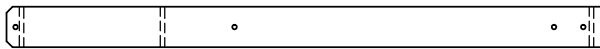
1pc. - **2187** - SL End 2 x 4 x 38 1/2" - 3632187 - Box 2



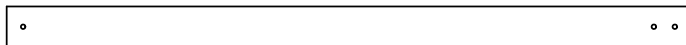
1pc. - **1856** - SW Upright 2 x 4 x 48-5/16" - 3641856 - Box 3



4pc. - **2181** - Short Post 2 x 4 x 49 3/4" - 3632181 - Box 3



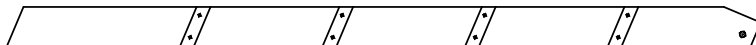
1pc. - **2179** - Door Post 2 x 4 x 57-1/16" - 3632179 - Box 4



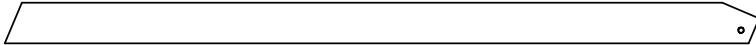
1pc. - **2250** - Left Rail 2 x 4 x 62 7/8" - 3632250 - Box 2



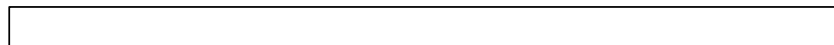
1pc. - **2251** - Right Rail 2 x 4 x 62 7/8" - 3632251 - Box 2



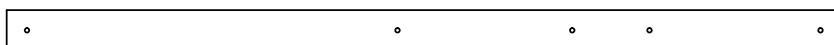
1pc. - **2252** - Rock Rail 2 x 4 x 62 7/8" - 3632252 - Box 3



1pc. - **2165** - Joist 2 x 4 x 69-7/16" - 3632165 - Box 3

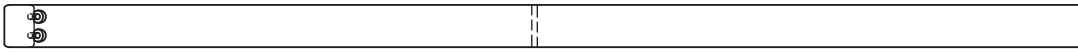


2pc. - **2164** - Floor Support 2 x 4 x 69 1/2" - 3632164 - Box 3



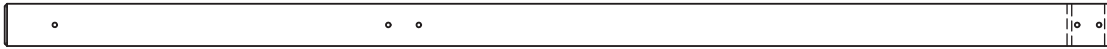
Part Identification (Reduced Part Size)

2pc. - **1863** - SW Post 2 x 4 x 86-11/16" - 3641863 - Box 3



Nominal Size	Actual Size
2" x 6"	1 ³ / ₈ " x 5 ³ / ₈ "
2" x 4"	1 ³ / ₈ " x 3 ³ / ₈ "

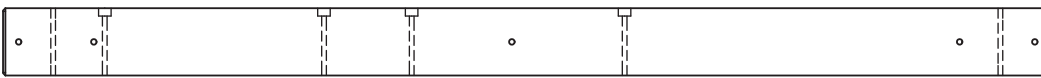
2pc. - **2336** - Centre Post 2 x 4 x 88³/₄" - 3632336 - Box 4



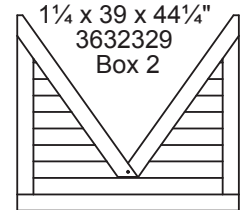
2pc. - **2180** - Post 2 x 4 x 103³/₄" - 3632180 - Box 3



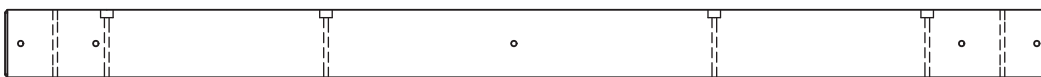
1pc. - **1825** - Back Beam 2 x 6 x 83⁵/₈" - 3631825 - Box 3



1pc. - **2329** - Large V Panel



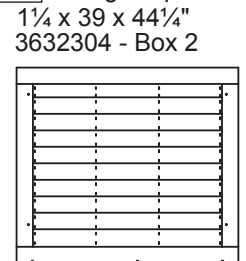
1pc. - **1826** - Front Beam 2 x 6 x 83⁵/₈" - 3631826 - Box 3



2pc. - **2239** - Gusset 2 x 6 x 19-11/16" - 3632239 - Box 3

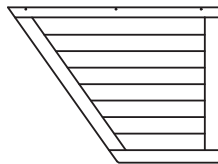


1pc. - **2304** - Large Square Panel



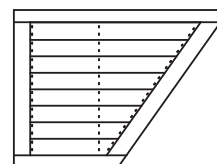
1pc. - **2276** - Left Roof Panel

1¹/₄ x 31 x 42-9/16"
3632276 - Box 2

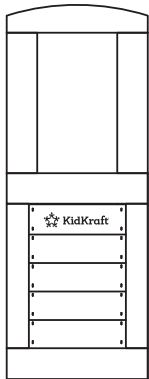


1pc. - **2295** - Right Roof Panel

1¹/₄ x 31¹/₂ x 43"
3632295 - Box 2



1pc. - **9509** - Door Panel
1-3/16 x 16³/₈ x 43-5/16"
37609509 - Box 2



Part Identification (Reduced Part Size)

3X 9201530 Swing Bracket Set

1X 3320353 KidKraft Logo Plaque

1x - Door Hardware (3201710)

2x 9201712 Door Hinge

9207713 1x Door Catch with Catch Plate

2x 9201711 Door Handle

10x - TNR 4 Clamp Ring (9300130) (Green)

1x - TNR2 Slide Support (9200126)

1X 3320210 Rocks (10pk) Green, Yellow, Burgundy

1X 3320240 Hand Grip (2pk)

2X 3320401 Flower Box

1X 3200202 Glider Hanger (2pk)

1X 3320121 Peak Detail (2pk)

1x - TNR2 Slide RT Flange (3310123)

9x - TNR2 Slide Elbow (3310121)

1X 3200202 Glider Hanger (2pk)

1X 3320605 Faux Stone Panel

1x - TNR2 Slide LT Flange (3310122)

1x TNR2 Slide Exit (3310120)

1x TNR2 Slide Exit Top (3310124)

1X 3320610 Roof Valley II (pk4)

2X 3724943 42" Belt Swing Yellow w. welded chain

1x - KidKraft ID Plaque (9320374)

2X 9320165 6 Pane Arch Window

2X 9320111 2 x 3 Panel Window

1X 9320146 Small Window

1x Door Roof Grill (9320166)

2X Glider End

4X 9200182 Triangle Plate

1X 3533860 39" Glider Rope & Chain (4pk) w. welded chain

1X Glider Seat

2x - TNR 4 Post Mount Clamp (9200157)

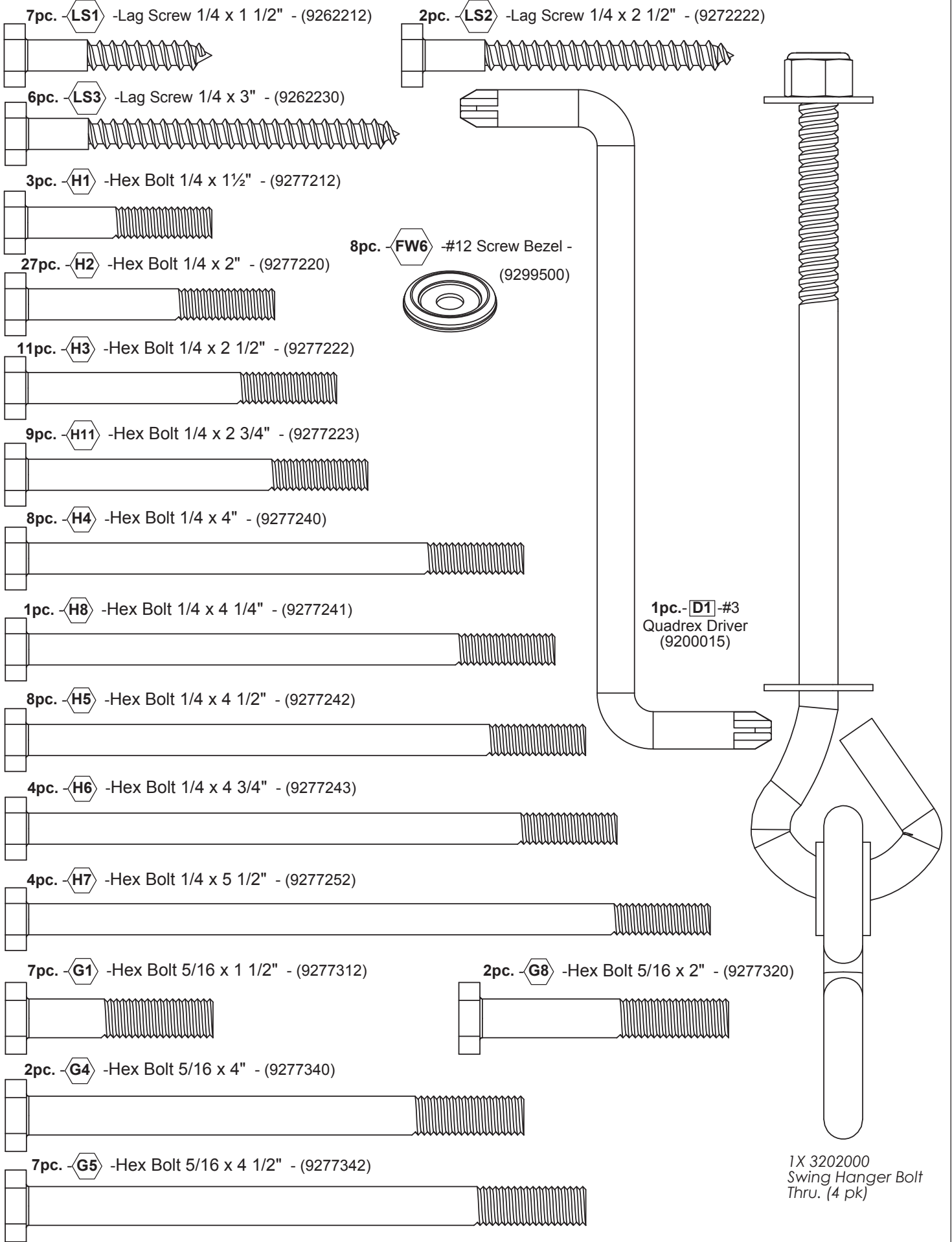
31x - Square Nylok Nut (54902200)

1x - TNR 4 Post Mount Base (9200156)

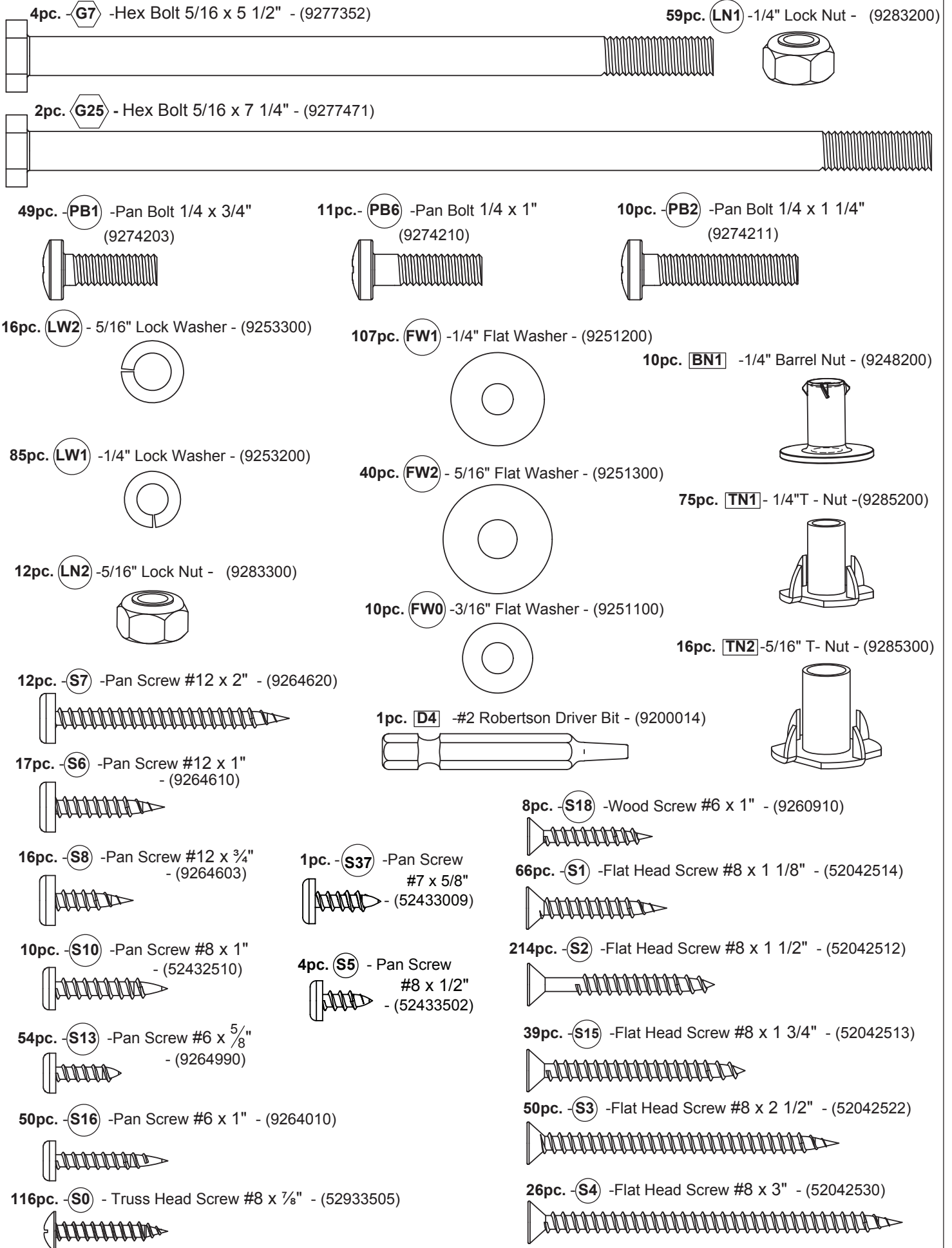
30x - 1/4 x 12.7mm Pan Head Bolt (53453202)

1x - 1/4 x 14.5mm Pan Head Bolt (53452209)

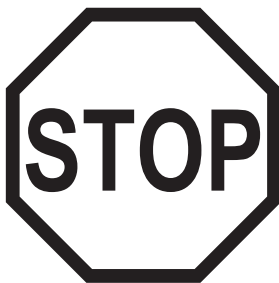
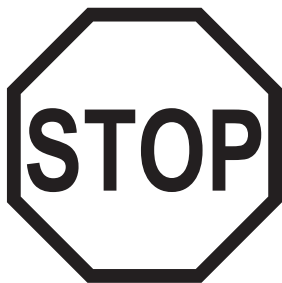
Hardware Identification (Actual Size)



Hardware Identification (Actual Size)

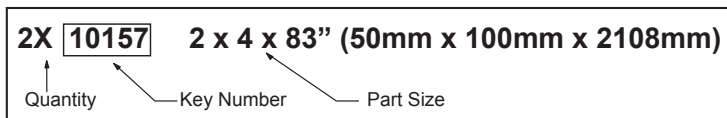


Step 1: Inventory Parts - Read This Before Starting Assembly



Inventory should be completed before starting installation. KidKraft will not cover costs of any additional installation trip due to missing or damaged pieces.

- A. Referencing the parts identification sheets, inventory all hardware, wood and accessories. This will assist you with your assembly.
- The wood pieces will have the key number stamped on the ends of the boards. Organize the wood pieces by step, as per the key numbering system below.



- B. Read the assembly manual completely, paying special attention to EN71 and ASTM warnings, notes and safety/maintenance information on pages 1 - 8.

**If there are missing or damaged pieces,
please contact the KidKraft Consumer Engagement Team
before going back to the retailer.**

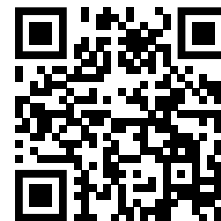
Request Replacement Parts 24/7

You can request replacement parts for this product 24 hours a day / 7 days a week:

Outdoor Swing Set and Playhouse Parts Ordering

<https://parts.kidkraft.com/partsorderemail>

If you have assembly or product questions, please refer to the front cover for direct contact information for our Consumer Engagement Team OR you can also use this QR code with your smartphone for common questions and contact information.



KidKraft Help Center **<https://kidkraft.zendesk.com/hc/en-us/>**

Step 2: Access Ladder / Rockwall Assembly Part 1

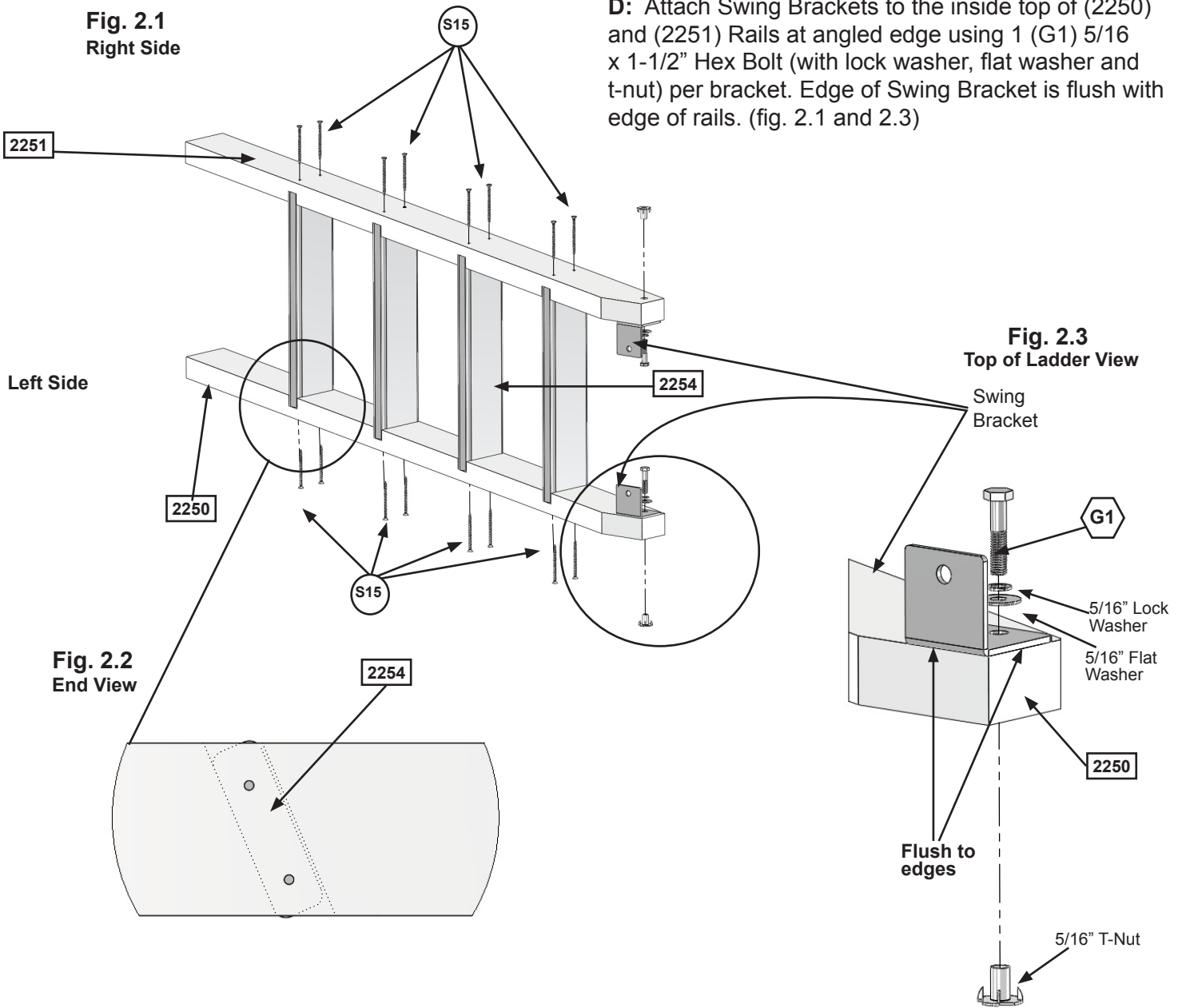


A: Place (2250) Left Rail on left hand side of 4 (2254) Ladder Treads and (2251) Right Rail on right hand side with the grooves facing in. (fig. 2.1)

B: Fit each (2254) Ladder Tread into grooves on both (2250) and (2251) Rails, make sure the top edge of the treads are flush to the front of the rails. (fig. 2.1 and 2.2)

C: Attach Rails and Ladder Treads together using 4 (S15) #8 x 1-3/4" Wood Screws per tread. (fig. 2.1)

D: Attach Swing Brackets to the inside top of (2250) and (2251) Rails at angled edge using 1 (G1) 5/16 x 1-1/2" Hex Bolt (with lock washer, flat washer and t-nut) per bracket. Edge of Swing Bracket is flush with edge of rails. (fig. 2.1 and 2.3)



Wood Parts

- 1 x 2250 Left Rail 2 x 4 x 62-7/8"
- 1 x 2251 Right Rail 2 x 4 x 62-7/8"
- 4 x 2254 Ladder Tread 5/4 x 4 x 13-7/8"

Hardware

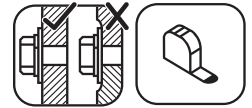
- 16 x S15 #8 x 1-3/4" Wood Screw
- 2 x G1 5/16 x 1-1/2" Hex Bolt (5/16" lock washer, 5/16" flat washer, 5/16" t-nut)

Other Parts

- 2 x Swing Bracket

Step 2: Access Ladder / Rockwall Assembly

Part 2



E: Place (2248) Ladder Gap on each rail so there is a 2-3/8" gap between (2248) Ladder Gap and the top (2254) Ladder Tread. Attach using 4 (S3) #8 x 2-1/2" Wood Screws. (fig. 2.4 and 2.5)

F: Place (2252) Rock Rail on the ground next to (2251) Right Rail so it matches the orientation of the two rails as shown in fig. 2.6. Attach (2249) Ladder Top to top of Access Ladder assembly and (2252) Rock Rail using 3 (S4) #8 x 3" Wood Screws. Notice that the holes in the board are towards the top. (fig. 2.6)

G: Attach 1 Swing Bracket to the top angled edge of (2252) Rock Rail, making sure the bracket faces out. Use 1 (G1) 5/16 x 1-1/2" Hex Bolt (with lock washer, flat washer and t-nut). (fig. 2.6)

Fig. 2.4

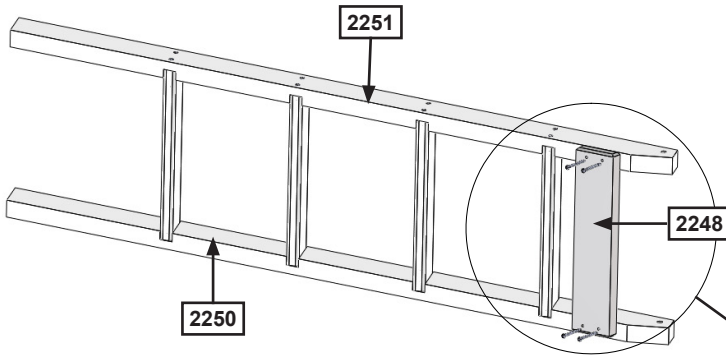


Fig. 2.5

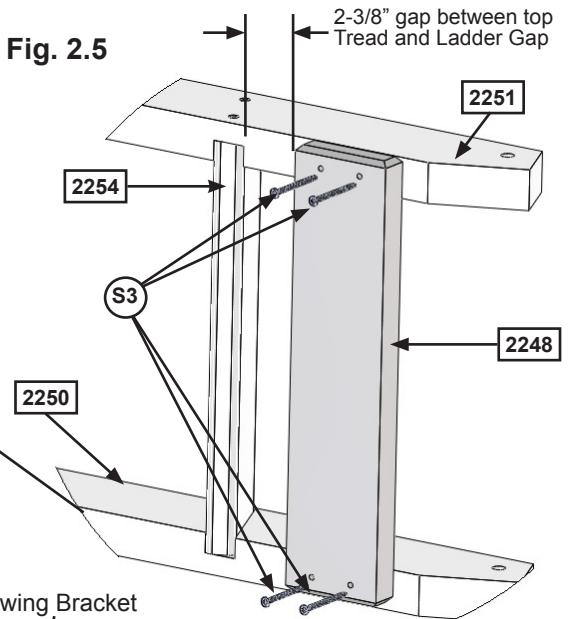
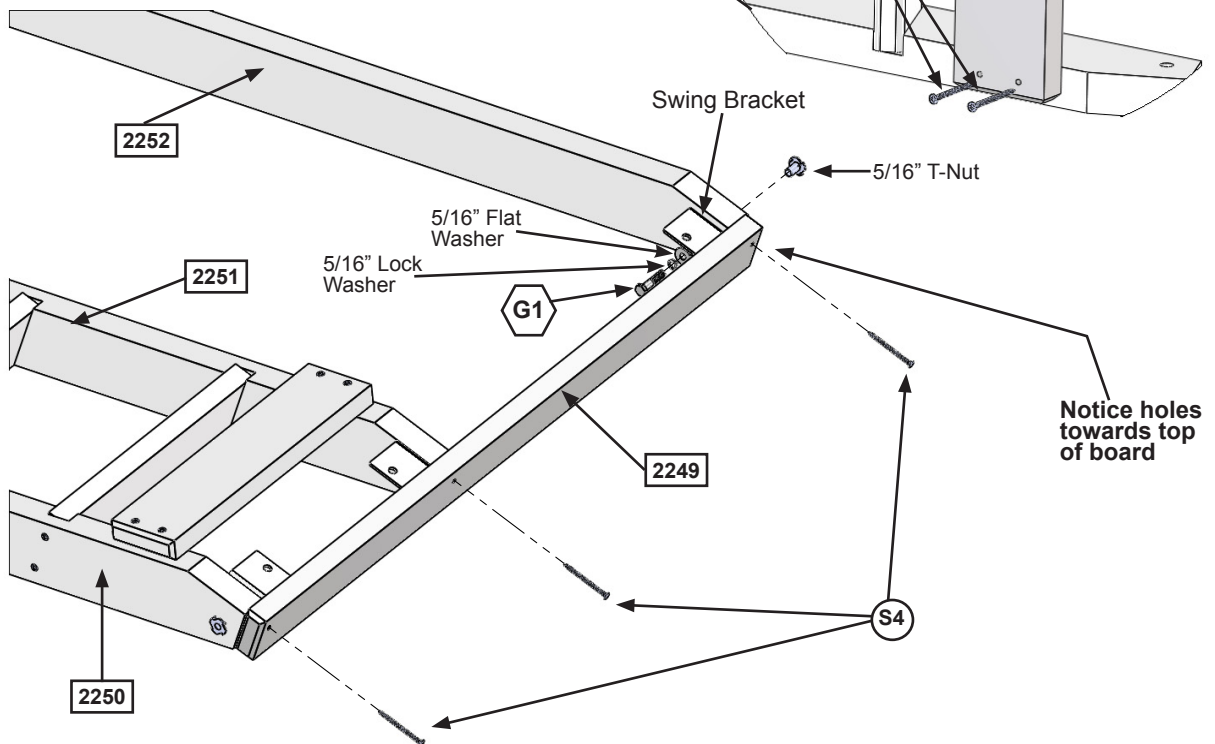


Fig. 2.6



Wood Parts

- 1 x 2248 Ladder Gap 5/4 x 4 x 15"
- 1 x 2252 Rock Rail 2 x 4 x 62-7/8"
- 1 x 2249 Ladder Top 5/4 x 3 x 37-1/4"

Hardware

- 4 x S3 #8 x 2-1/2" Wood Screw
- 3 x S4 #8 x 3" Wood Screw
- 1 x G1 5/16 x 1-1/2" Hex Bolt
(5/16" lock washer, 5/16" flat washer, 5/16" t-nut)

Other Parts

- 1 x Swing Bracket

Step 2: Access Ladder / Rockwall Assembly

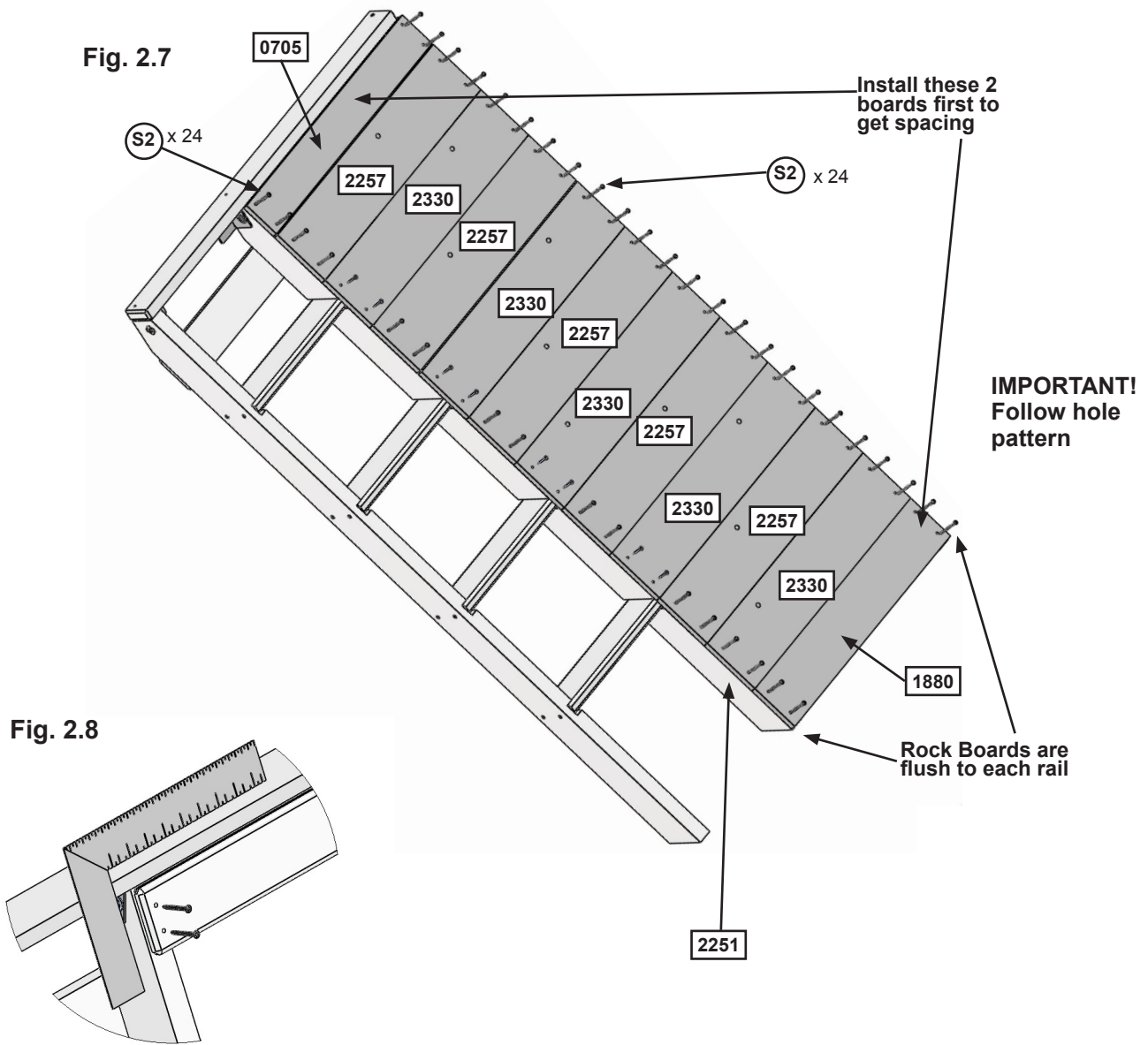
Part 3



H: Place (0705) Cedar Wall at top of the assembly and (1880) CE Wall Board at the bottom of the assembly as shown in fig. 2.7. Then place (2330) Rock Board A and (2257) Rock Board B as shown in fig. 2.7. Do not screw boards down yet. Rock holes are to be staggered so they do not form a straight line and are at the top of the boards. **Note: Rock Boards are to be flush to (2251) Right Rail and (2252) Rock Rail. (fig. 2.7)**

I: Make sure all boards fit together snugly and the assembly is square, then attach (0705) Cedar Wall and (1880) CE Wall Board using 4 (S2) #8 x 1-1/2" Wood Screws per board. (fig. 2.7 and 2.8)

J: Fasten all the other boards with 4 (S2) #8 x 1-1/2" Wood Screws per board. (fig. 2.7)



Wood Parts		Hardware	
1 x	0705 Cedar Wall 1 x 4 x 23-1/2"	48 x	(S2) #8 x 1-1/2" Wood Screw
1 x	1880 CE Wall Board 1 x 5 x 23-1/2"		
5 x	2330 Rock Board A 1 x 6 x 23-1/2"		
5 x	2257 Rock Board B 1 x 6 x 23-1/2"		

Step 2: Access Ladder / Rockwall Assembly Part 4

K: Alternating colours and shapes, attach 1 rock to each rock board using 1 (PB2) 1/4 x 1-1/4" Pan bolt (with lock washer, flat washer and barrel nut) and 1 (S10) #8 x 1" Pan Screw per rock. (fig. 2.9 and 2.10)

The Pan Screw is placed in the hole beneath the Pan Bolt. (fig. 2.9 and 2.10)

Note: Make sure all hardware is used to secure each rock properly.

Fig. 2.9

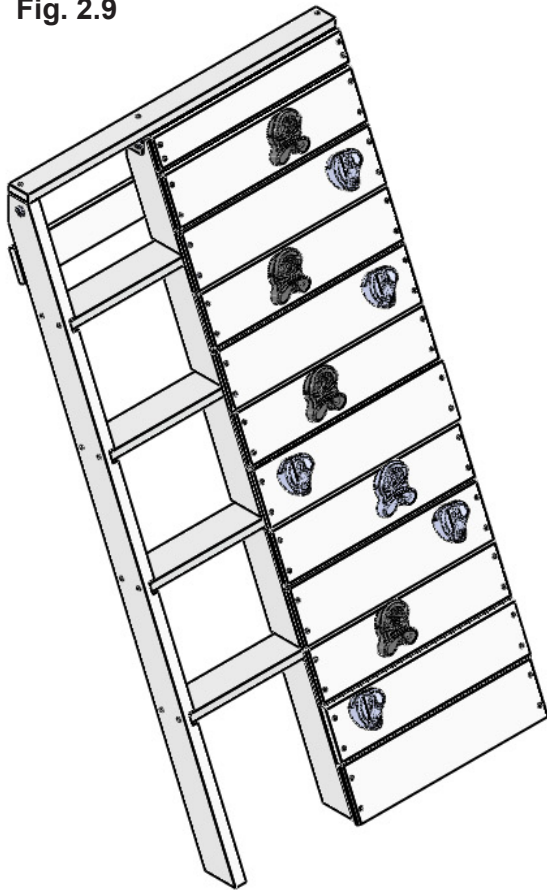
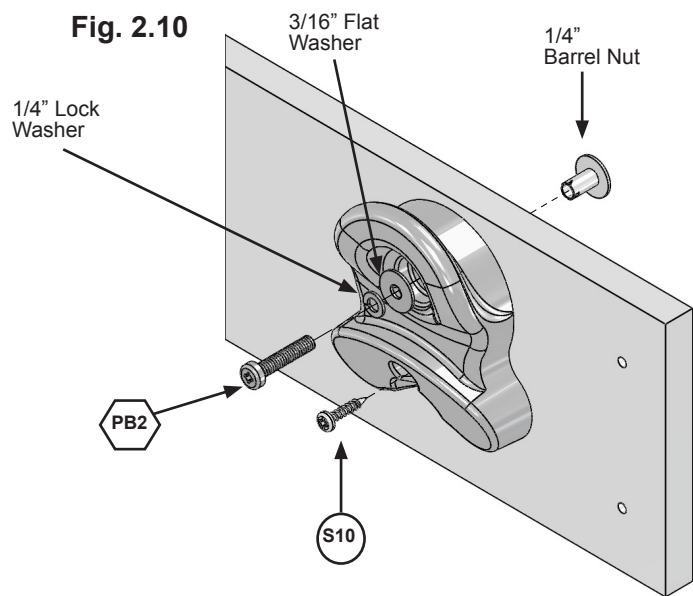



Fig. 2.10

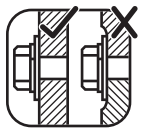


Hardware

- 10 x  1/4 x 1-1/4" Pan Bolt
(1/4" lock washer, 3/16" flat washer & 1/4" barrel nut)
- 10 x  #8 x 1" Pan Screw

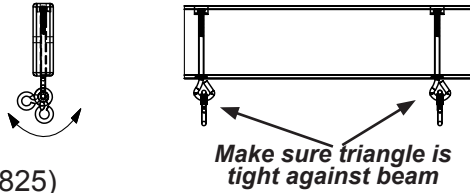
Other Parts

- 10 x Rocks (green/yellow/burgundy)



Step 3: Swing Beam Assembly

Fig. 3.4



WARNING: For your child's safety, orientate the swing hangers as shown to ensure your swing will have proper swing motion when installed. Failure to do so could result in premature failure of the swing hanger or swing chain.

A: In the middle holes of (1825) Back Beam install 2 Bolt-Thru Swing Hangers (fig. 3.1) making sure the swing hangers are oriented in the direction shown in fig. 3.4 to maintain proper swing motion.

B: In the end holes of (1826) Front Beam install 2 Bolt-Thru Swing Hangers (fig. 3.1) making sure the swing hangers are oriented in the direction shown in fig. 3.4 to maintain proper swing motion.

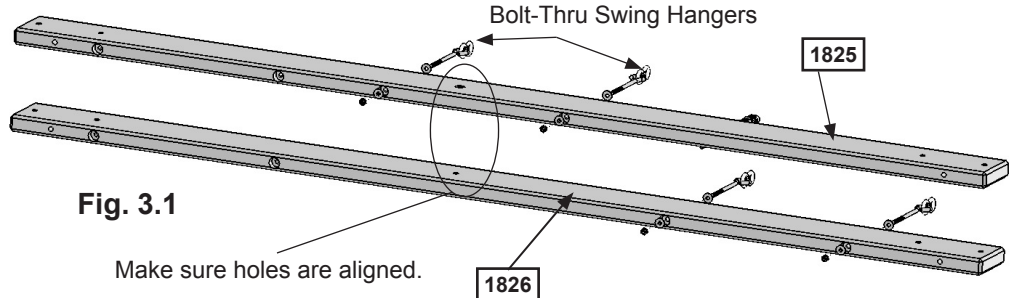
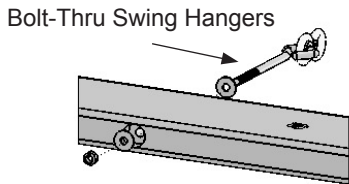
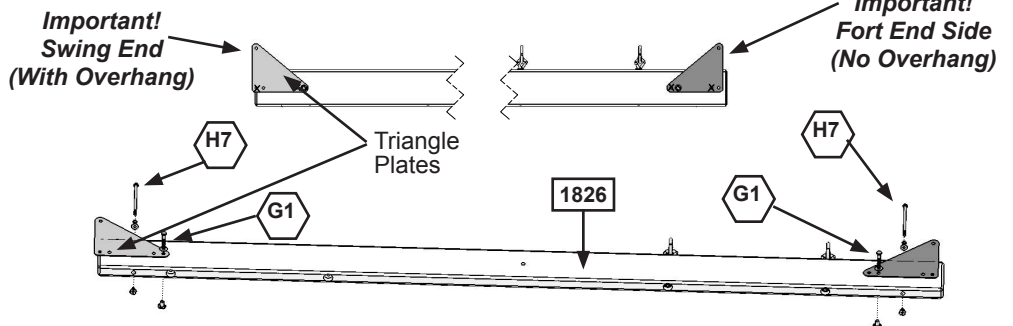
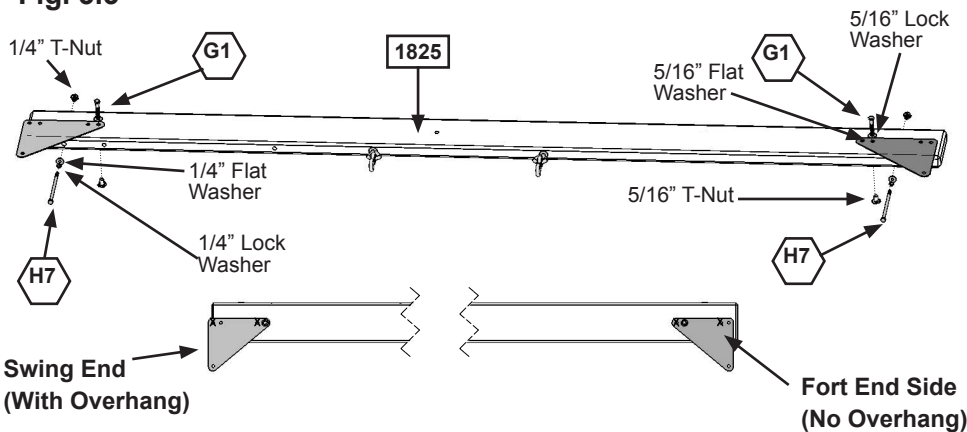


Fig. 3.2



C: Attach 1 Triangle Plate to the ends of each (1826) Front Beam and (1825) Back Beam using 1 (G1) 5/16 x 1-1/2" Hex Bolt (with lock washer, flat washer and t-nut) per triangle plate in the hole indicated in fig. 3.2 & 3.3. **Correct hole usage is very important.**

Fig. 3.3



D: Attach 1 (H7) 1/4 x 5-1/2" Hex Bolt (with lock washer, flat washer and t-nut) to the ends of each (1826) Front Beam and (1825) Back Beam. The bolts do not attach to anything, but **MUST** be installed to the beams to prevent splitting and checking of wood. (fig. 3.2 & 3.3)

Wood Parts

- 1 x 1826 Front Beam 2 x 6 x 83-5/8"
- 1 x 1825 Back Beam 2 x 6 x 83-5/8"

Hardware

- 4 x H7 1/4 x 5-1/2" Hex Bolt (1/4" flat washer, 1/4" lock washer, 1/4" t-nut)
- 4 x G1 5/16 x 1-1/2" Hex Bolt (5/16" flat washer, 5/16" lock washer, 5/16" t-nut)

Other Parts

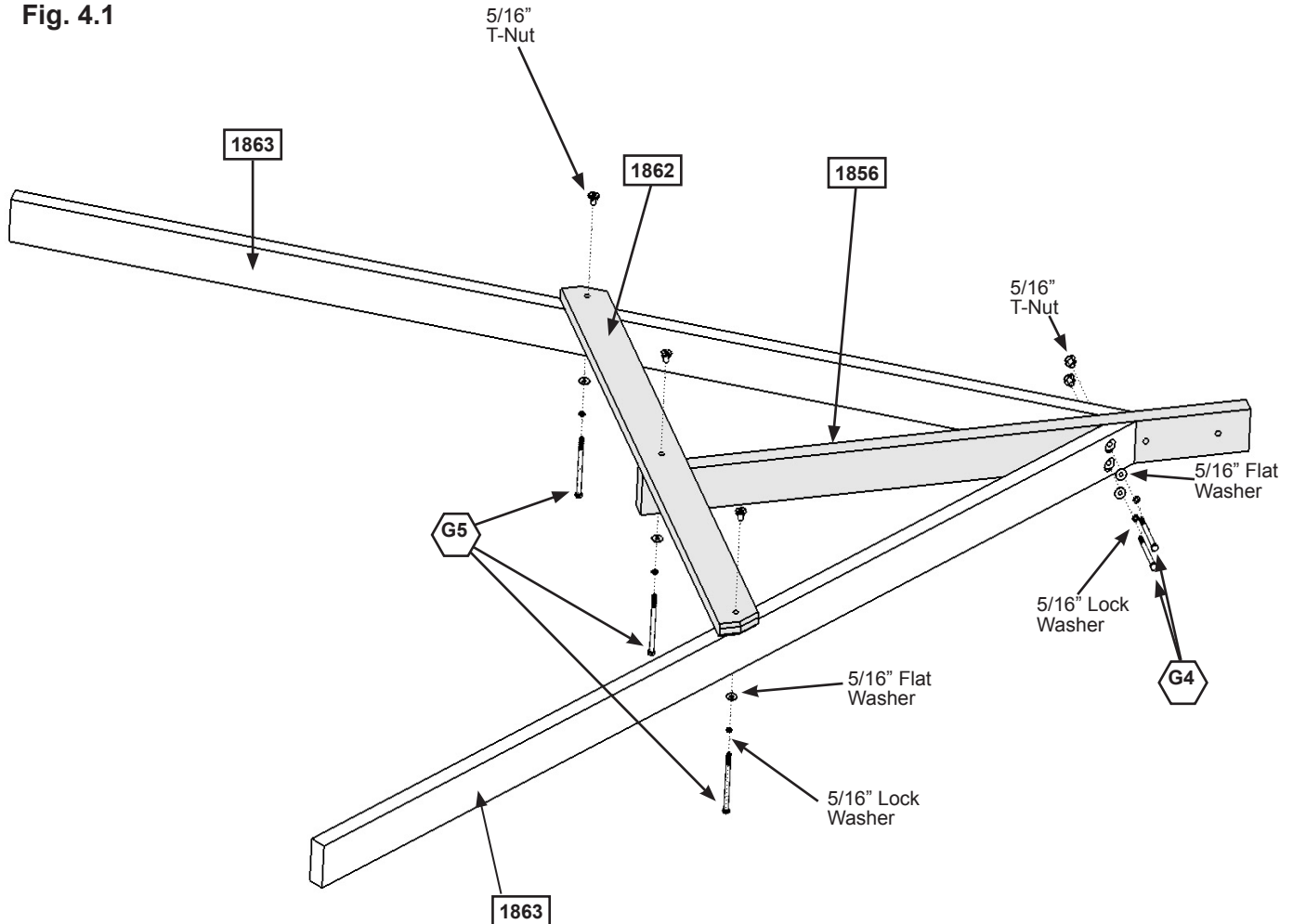
- 1 x Bolt-Thru Swing Hangers (pkg of 4)
- 1 x Triangle Plate (pkg of 4)



Step 4: Swing End Assembly

A: Attach 2 (1863) SW Posts to (1856) SW Upright using 2 (G4) 5/16 x 4" Hex Bolts (with lock washer, flat washer and t-nut). (fig. 4.1)

Fig. 4.1



B: Attach (1862) SW Support to both (1863) SW Posts and (1856) SW Upright using 3 (G5) 5/16 x 4-1/2" Hex Bolts (with lock washer, flat washer and t-nut). (fig. 4.1)

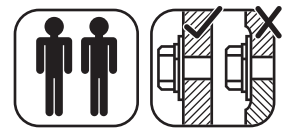
Wood Parts

- 2 x 1863 SW Post 2 x 4 x 86-11/16"
- 1 x 1862 SW Support 5/4 x 4 x 46-1/2"
- 1 x 1856 SW Upright 2 x 4 x 48-5/16"

Hardware

- 2 x G4 5/16 x 4" Hex Bolt (5/16" lock washer, 5/16" flat washer, 5/16" t-nut)
- 3 x G5 5/16 x 4-1/2" Hex Bolt (5/16" lock washer, 5/16" flat washer, 5/16" t-nut)

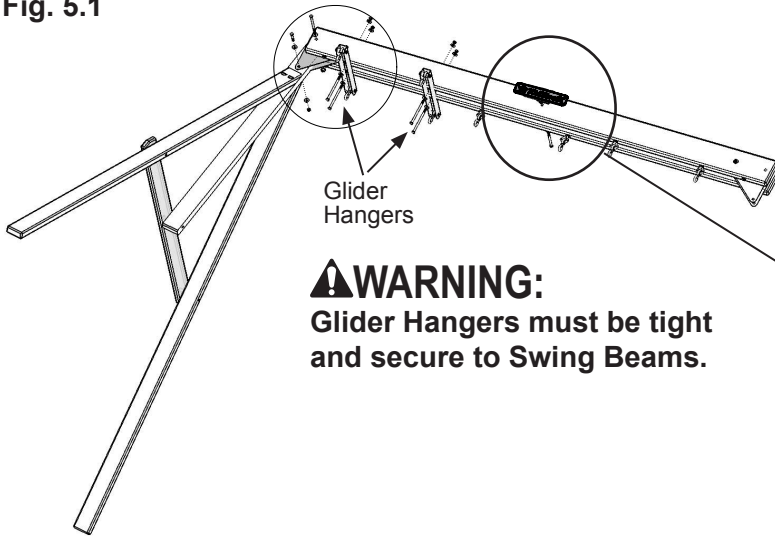
Step 5: Attach Swing End to Swing Beam



A: Place (4919) SW Rail Block in the centre between (1826) Front Beam and (1825) Back Beam and attach with 1 (H8) 1/4 x 4-1/4" Hex Bolt (with lock washer, flat washer and t-nut). (fig. 5.1 & 5.2)

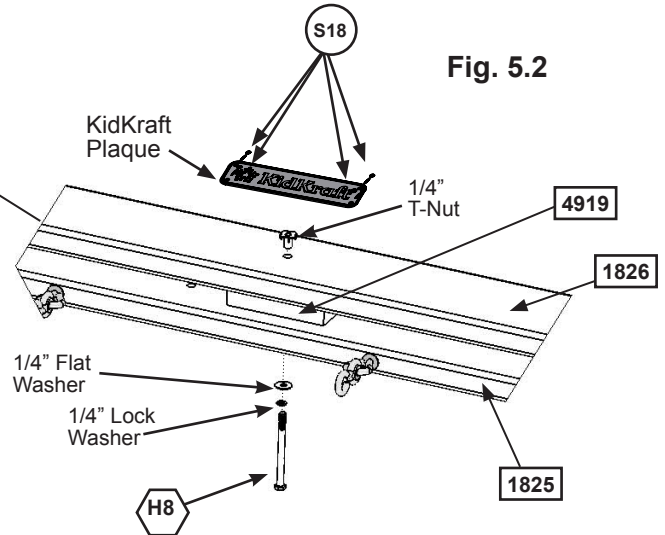
B: Attach KidKraft Plaque over 1/4" t-nut on (1826) Front Beam with 4 (S18) #6 x 1" Wood Screws. (fig. 5.1 & 5.2)

Fig. 5.1



WARNING:
Glider Hangers must be tight and secure to Swing Beams.

Fig. 5.2



C: Attach Swing End Assembly to the side of the Swing Beam Assembly with the overhang (fig. 5.3 & 5.4) using 1 (G5) 5/16 x 4-1/2" Hex Bolt (with lock washer, flat washer and t-nut) in the top hole of Triangle Plate and 1 (G8) 5/16 x 2" Hex Bolt (with 2 flat washers and lock nut) in the bottom hole of Triangle Plate. (fig. 5.3) Make sure Swing End Assembly flares out at an angle. (fig. 5.4)

D: Attach 2 Glider Hangers to the Swing Beam Assembly using 2 (G7) 5/16 x 5-1/2" Hex Bolt (with 2 flat washers & lock nut) per Glider Hanger. (fig. 5.1 & 5.3)

Fig. 5.4

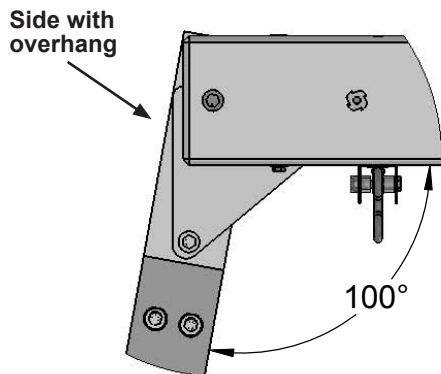
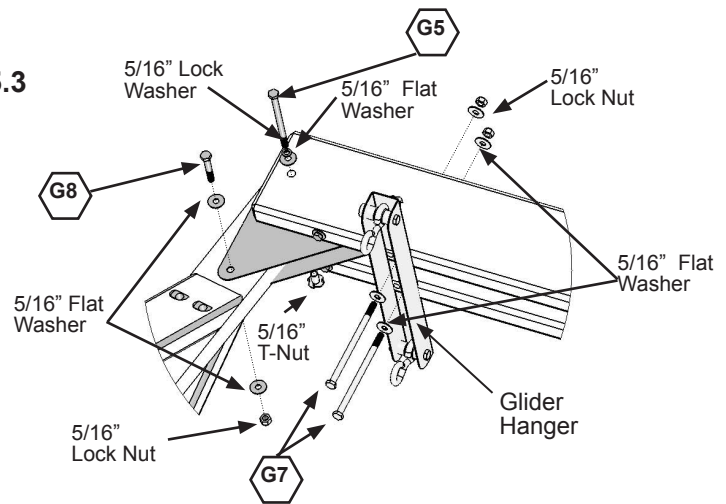


Fig. 5.3



Wood Parts

1 x 4919 SW Rail Block 2 x 4 x 5-3/8"

Hardware

1 x H8 1/4 x 4-1/4" Hex Bolt (1/4" lock washer, 1/4" flat washer, 1/4" t-nut)
 1 x G5 5/16 x 4-1/2" Hex Bolt (5/16" lock washer, 5/16" flat washer, 5/16" t-nut)
 4 x G7 5/16 x 5-1/2" Hex Bolt (5/16" flat washer x2, 5/16" lock nut)
 1 x G8 5/16 x 2" Hex Bolt (5/16" flat washer x2, 5/16" lock nut) 5/16 x 2" Hex Bolt
 4 x S18 #6 x 1" Wood Screw

Other Parts

2 x Glider Hangers
 1 x KidKraft Plaque (with hardware)

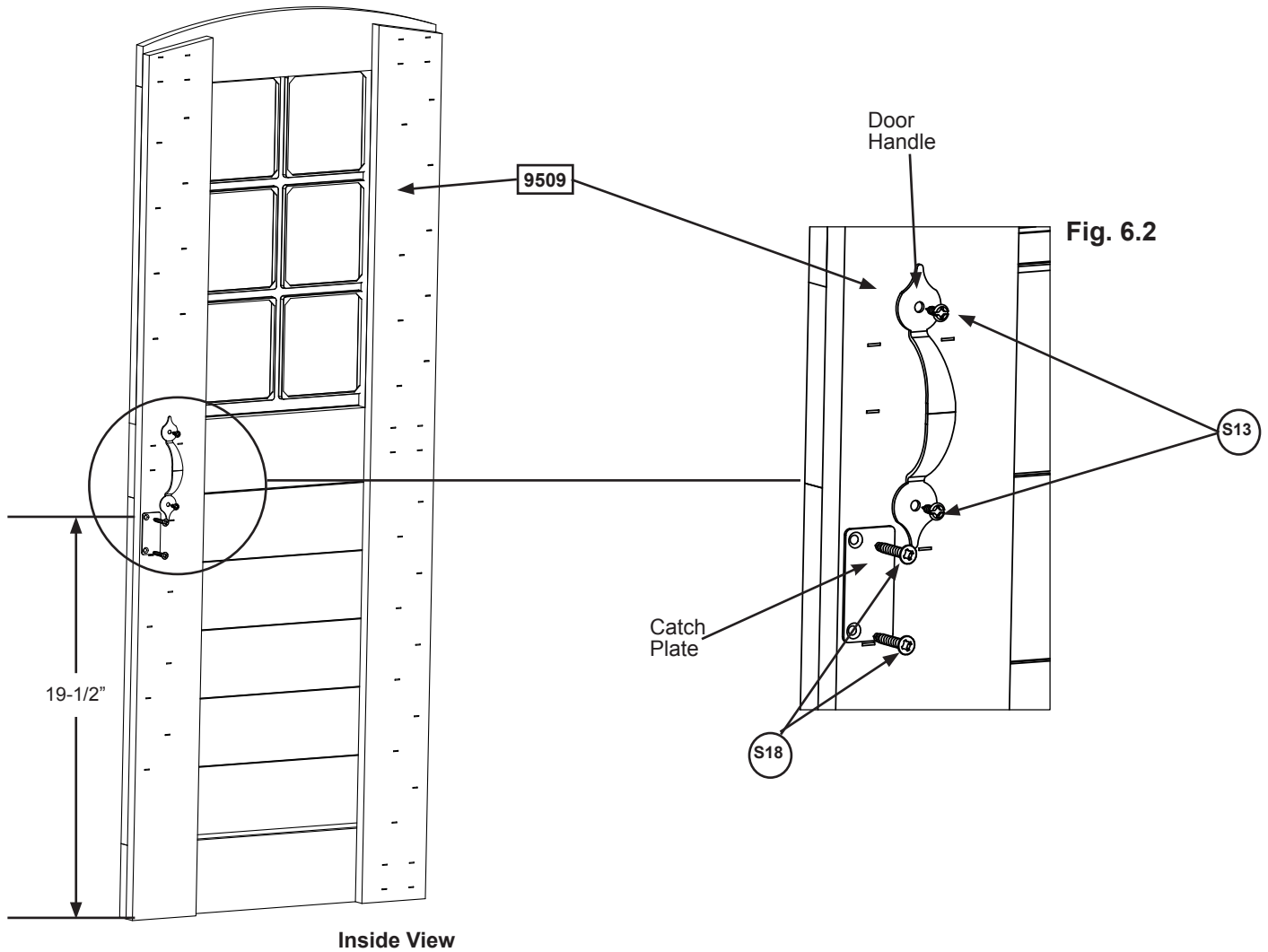
Step 6: Door Assembly Part 1



A: On the inside of (9509) Door Panel, measure 19-1/2" up from the bottom and attach Catch Plate using 2 (S18) #6 x 1" Wood Screws. (fig. 6.1 and 6.2)

B: On the inside of (9509) Door Panel above and to the side of the Catch Plate attach 1 Door Handle using 2 (S13) #6 x 5/8" Pan Screws. (fig. 6.1 and 6.2)

Fig. 6.1



Wood Parts

1x 9509 Door Panel 1-3/16 x 16-3/8 x 43-5/16"

Hardware

2 x S13 #6 x 5/8" Pan Screw
2 x S18 #6 x 1" Wood Screw

Other Parts

1 x Door Handle
1 x Catch Plate

Step 6: Door Assembly Part 2

C: On the outside of the (9509) Door Panel attach the second Door Handle at approximately the same place as the one on the inside. Use 2 (S13) #6 x 5/8" Pan Screws. (fig. 6.3 and 6.4)

D: In the window opening of (9509) Door Panel insert 1 Small Window from the outside and attach with 8 (S13) #6 x 5/8" Pan Screws. (fig. 6.3 and 6.4)

E: Attach 2 Door Hinges on the outside of the (9509) Door Panel on the opposite side from the Door Handle. Judge spacing based on fig. 6.3. Use 3 (S13) # 6 x 5/8" Pan Screws per Hinge.

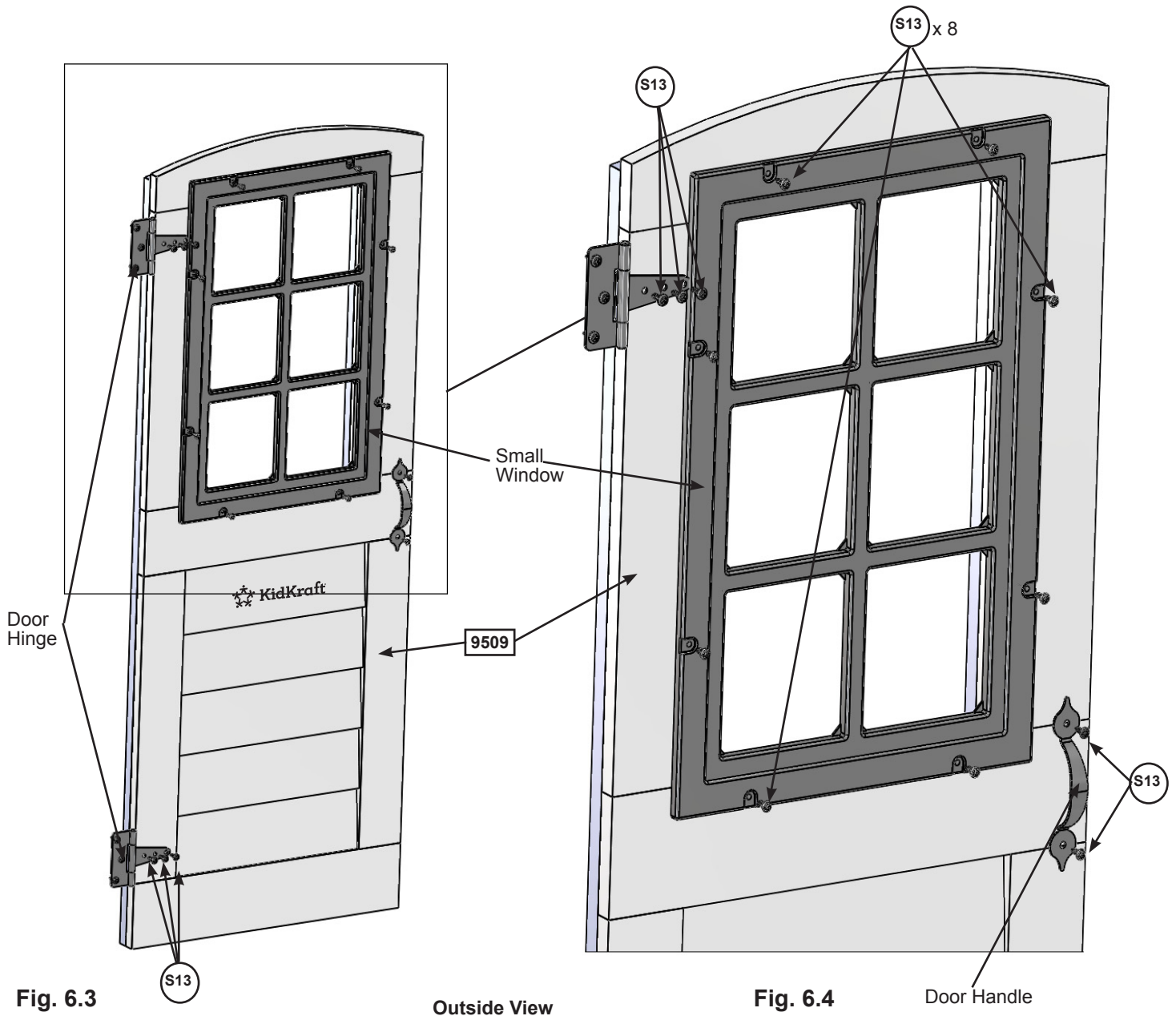


Fig. 6.3

Outside View

Fig. 6.4

Door Handle

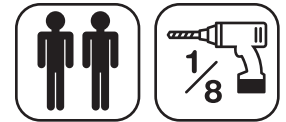
Hardware

16 x (S13) #6 x 5/8" Pan Screw

Other Parts

1 x Door Handle
1 x Small Window
2 x Door Hinges

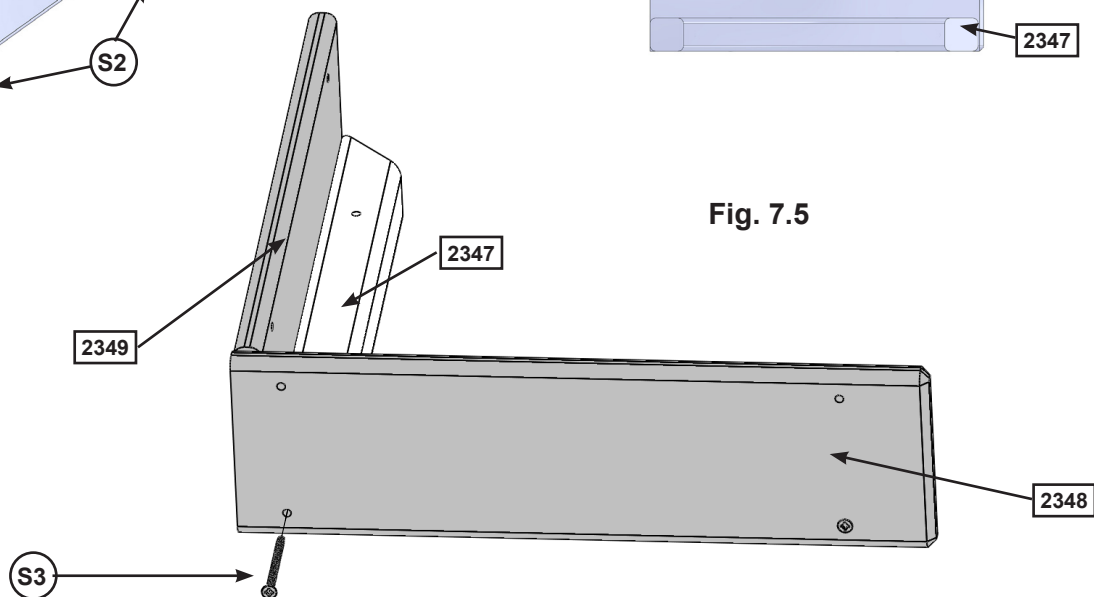
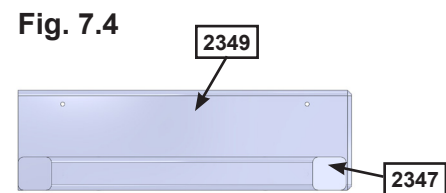
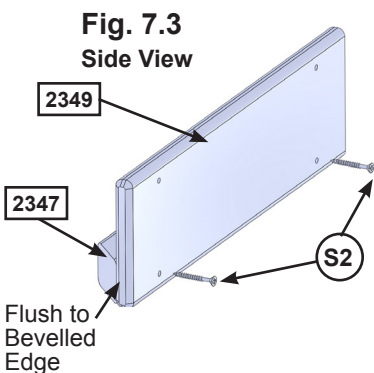
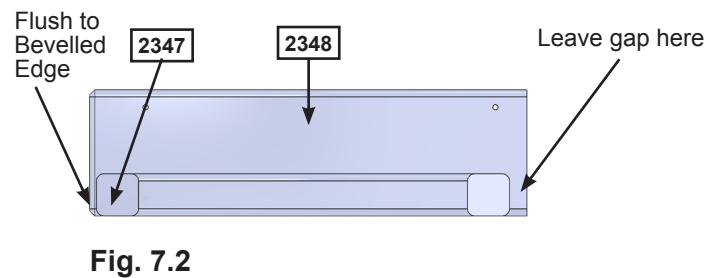
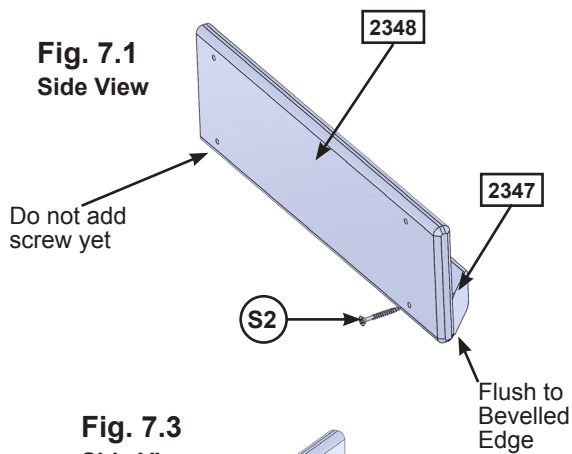
Step 7: Dormer Assembly Part 1



A: Place 1 (2347) Roof Block on (2348) Roof Board A with angled edges facing up. Edge of (2347) Roof Block to be flush with bevelled edge of (2348) Roof Board A. Attach boards together with 1 (S2) #8 x 1-1/2" Wood Screw at bevelled edge side. Do not add a screw on the opposite end until Step C. (fig. 7.1 and 7.2)

B: Place 1 (2347) Roof Block on (2349) Roof Board B with angled edges facing up. Edge of (2347) Roof Block to be flush with bevelled edge of (2349) Roof Board B. Attach boards together with 2 (S2) #8 x 1-1/2" Wood Screws. (fig. 7.3 and 7.4)

C: Place both assemblies together, as shown in fig. 7.5, then pre-drill pilot hole using a 1/8" drill bit and install 1 (S3) #8 x 2-1/2" Wood Screw through (2348) Roof Board A into both (2347) Roof Blocks. (fig. 7.5)



Wood Parts

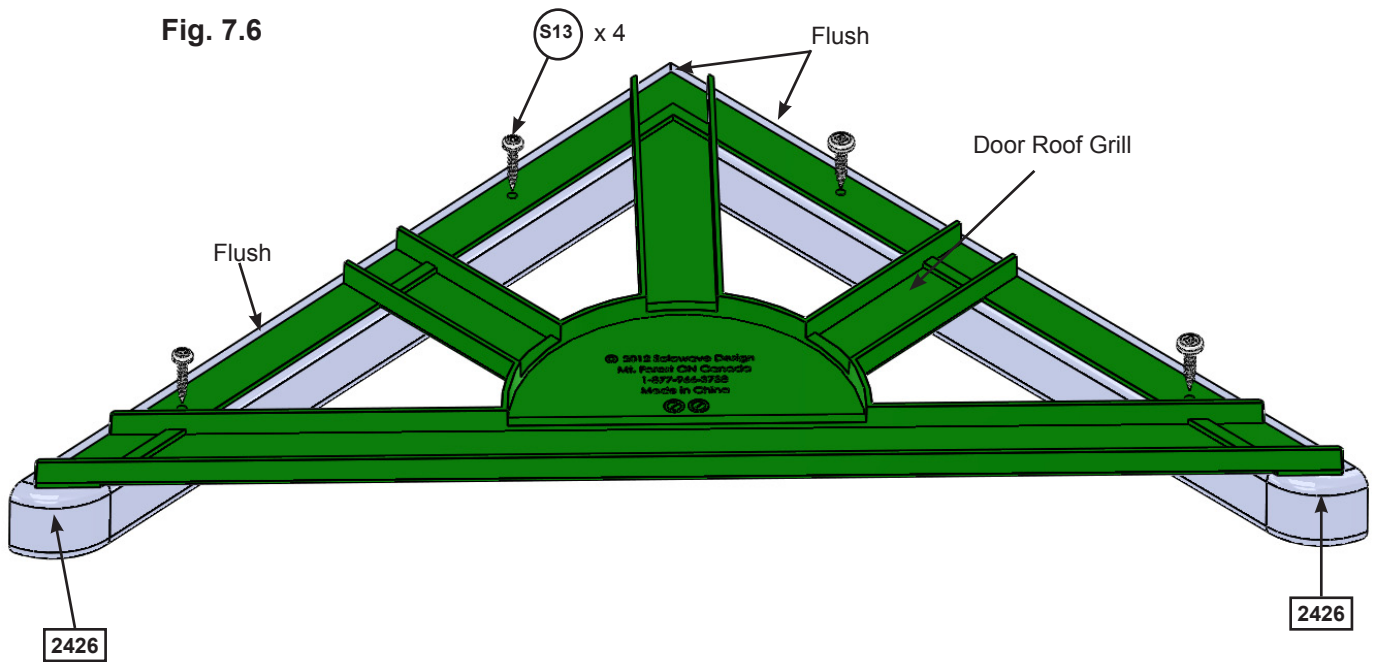
- 1 x 2348 Roof Board A 1 x 5 x 15-5/8"
- 1 x 2349 Roof Board B 1 x 5 x 15"
- 2 x 2347 Roof Block 2 x 2 x 14-3/4"

Hardware

- 3 x S2 #8 x 1-1/2" Wood Screw
- 1 x S3 #8 x 2-1/2" Wood Screw

Step 7: Dormer Assembly Part 2

D: Place Door Roof Grill on 2 (2426) Roof Trims so the edges of the grill are flush to the outside and peak of each trim. The rounded edges of (2426) Roof Trims are to be at the bottom of the grill assembly. Attach Door Roof Grill to (2426) Roof Trims with 4 (S13) #6 x 5/8" Pan Screws as shown in fig. 7.6.



Wood Parts

2 x 2426 Roof Trim 5/4 x 2 x 15"

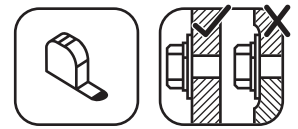
Hardware

4 x S13 #6 x 5/8" Pan Screw

Other Parts

1 x Door Roof Grill

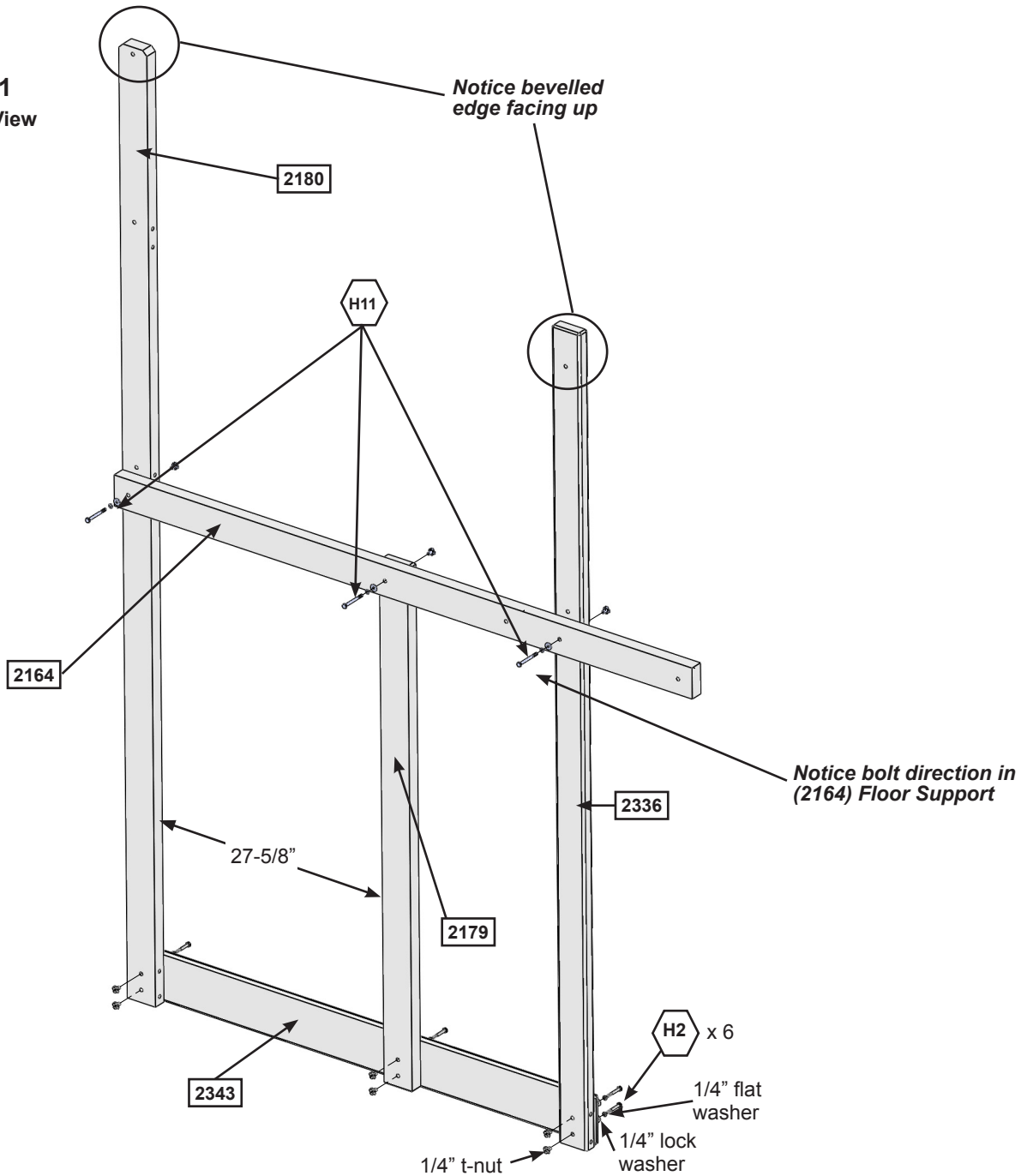
Step 8: Front Wall Assembly Part 1



A: Loosely attach 1 (2180) Post, (2179) Door Post and 1 (2336) Centre Post to (2343) Ground Front with 2 (H2) 1/4 x 2" Hex Bolts (with lock washer, flat washer and t-nut) in each board. Ensure that you maintain a 27-5/8" spacing between the two boards, as shown in fig.8.1. Make sure the bevelled end of (2180) Post is facing up. (fig. 8.1)

B: Loosely attach (2164) Floor Support to (2180) Post, (2179) Door Post and (2336) Centre Post with 1 (H11) 1/4 x 2-3/4" Hex Bolt (with lock washer, flat washer and t-nut) per board. Notice direction bolts are installed. (fig. 8.1)

Fig. 8.1
Inside View



Wood Parts

- 1 x 2343 Ground Front 1 x 6 x 55-1/4"
- 1 x 2180 Post 2 x 4 x 103-3/4"
- 1 x 2179 Door Post 2 x 4 x 57-1/16"
- 1 x 2336 Centre Post 2 x 4 x 88-3/4"
- 1 x 2164 Floor Support 2 x 4 x 69-1/2"

Hardware

- 6 x H2 1/4 x 2" Hex Bolt
(1/4" lock washer, 1/4" flat washer, 1/4" t-nut)
- 3 x H11 1/4 x 2-3/4" Hex Bolt
(1/4" lock washer, 1/4" flat washer, 1/4" t-nut)

Step 8: Front Wall Assembly Part 2



C: With bevelled ends facing up loosely attach 2 (2181) Short Posts to (2164) Floor Support with 1 (H11) 1/4 x 2-3/4" Hex Bolt (with lock washer, flat washer and t-nut) per board. Notice direction bolts are installed. (fig. 8.2 and 8.3)

D: Loosely attach (2183) Front Rail to each (2181) Short Post and to (2336) Centre Post with 3 (H2) 1/4 x 2" Hex Bolt (with lock washer, flat washer and t-nut). (fig. 8.2 and 8.4)

E: Make sure assembly is square and ensure that the spacing between (2180) Post and (2179) Door Post is 27-5/8" (fig. 8.2), then tighten all bolts and attach (2183) Front Rail to each (2181) Short Post with 2 (S2) #8 x 1-1/2" Wood Screws. (fig. 8.2 and 8.4)

F: Install one 1/4" T-nut into (2180) Post, (2336) Centre Post and each (2181) Short Post, as shown in fig.8.2 and 8.3.

Fig. 8.2

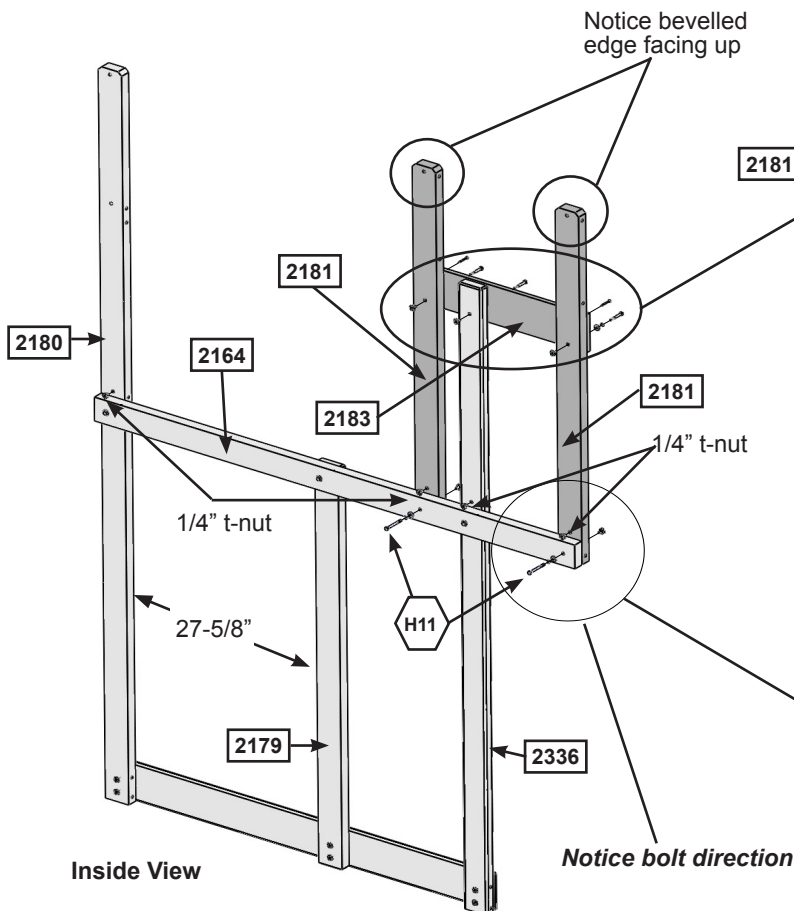


Fig. 8.4

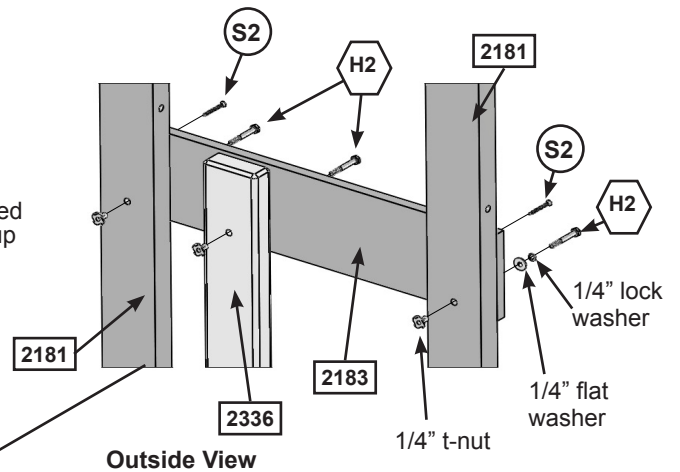
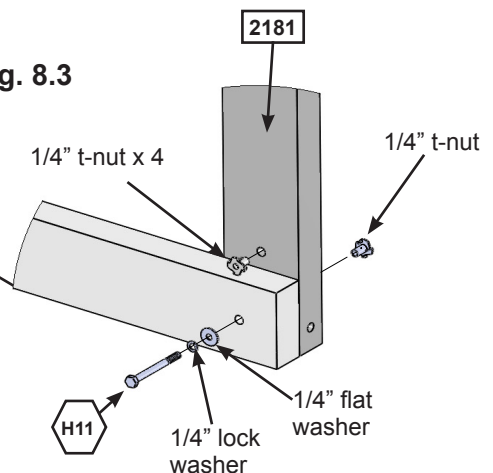


Fig. 8.3



Wood Parts

- 2 x [2181] Short Post 2 x 4 x 49-3/4"
- 1 x [2183] Front Rail 1 x 6 x 23"

Hardware

- 3 x [H2] 1/4 x 2" Hex Bolt (1/4" lock washer, 1/4" flat washer, 1/4" t-nut)
- 2 x [H11] 1/4 x 2-3/4" Hex Bolt (1/4" lock washer, 1/4" flat washer, 1/4" t-nut)
- 2 x [S2] #8 x 1-1/2" Wood Screw
- 4 x 1/4" t-nut

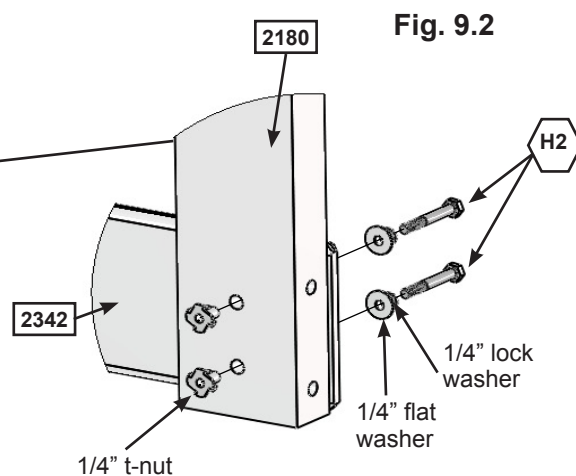
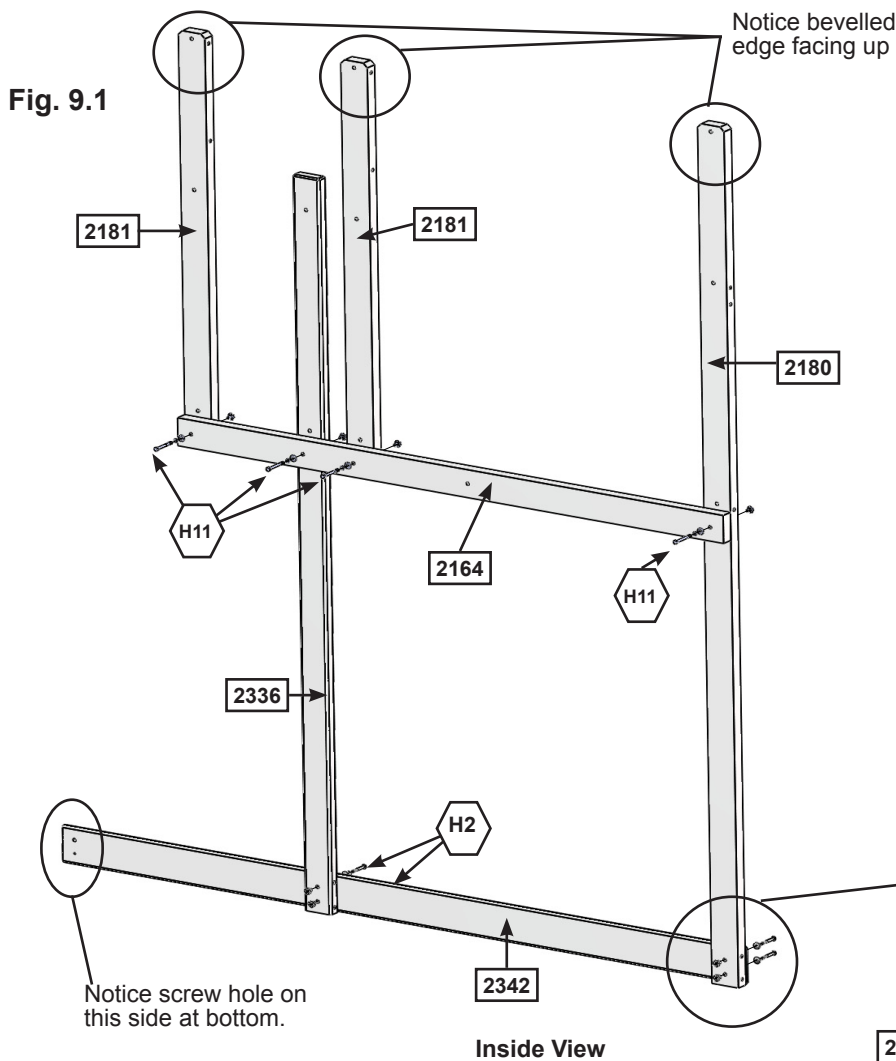
Step 9: Back Wall Assembly Part 1



A: Loosely attach 1 (2180) Post and 1 (2336) Centre Post to (2342) Ground Back with 2 (H2) 1/4 x 2" Hex Bolts (with lock washer, flat washer and t-nut) per board. Make sure the bevelled end of (2180) Post is facing up. Notice hole orientation of board. (fig. 9.1 and 9.2)

B: Loosely attach (2164) Floor Support to (2180) Post and (2336) Centre Post, on front of assembly, with 2 (H11) 1/4 x 2-3/4" Hex Bolts (with lock washer, flat washer and t-nut). (fig. 9.1)

C: With bevelled ends facing up loosely attach 2 (2181) Short Posts to (2164) Floor Support with 1 (H11) 1/4 x 2-3/4" Hex Bolt (with lock washer, flat washer and t-nut) per board. (fig. 9.1)



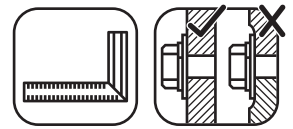
Wood Parts

- 1 x 2342 Ground Back 1 x 5 x 87-1/8"
- 1 x 2180 Post 2 x 4 x 103-3/4"
- 2 x 2181 Short Post 2 x 4 x 49-3/4"
- 1 x 2336 Centre Post 2 x 4 x 88-3/4"
- 1 x 2164 Floor Support 2 x 4 x 69-1/2"

Hardware

- 4 x H2 1/4 x 2" Hex Bolt
(1/4" lock washer, 1/4" flat washer, 1/4" t-nut)
- 4 x H11 1/4 x 2-3/4" Hex Bolt
(1/4" lock washer, 1/4" flat washer, 1/4" t-nut)

Step 9: Back Wall Assembly Part 2

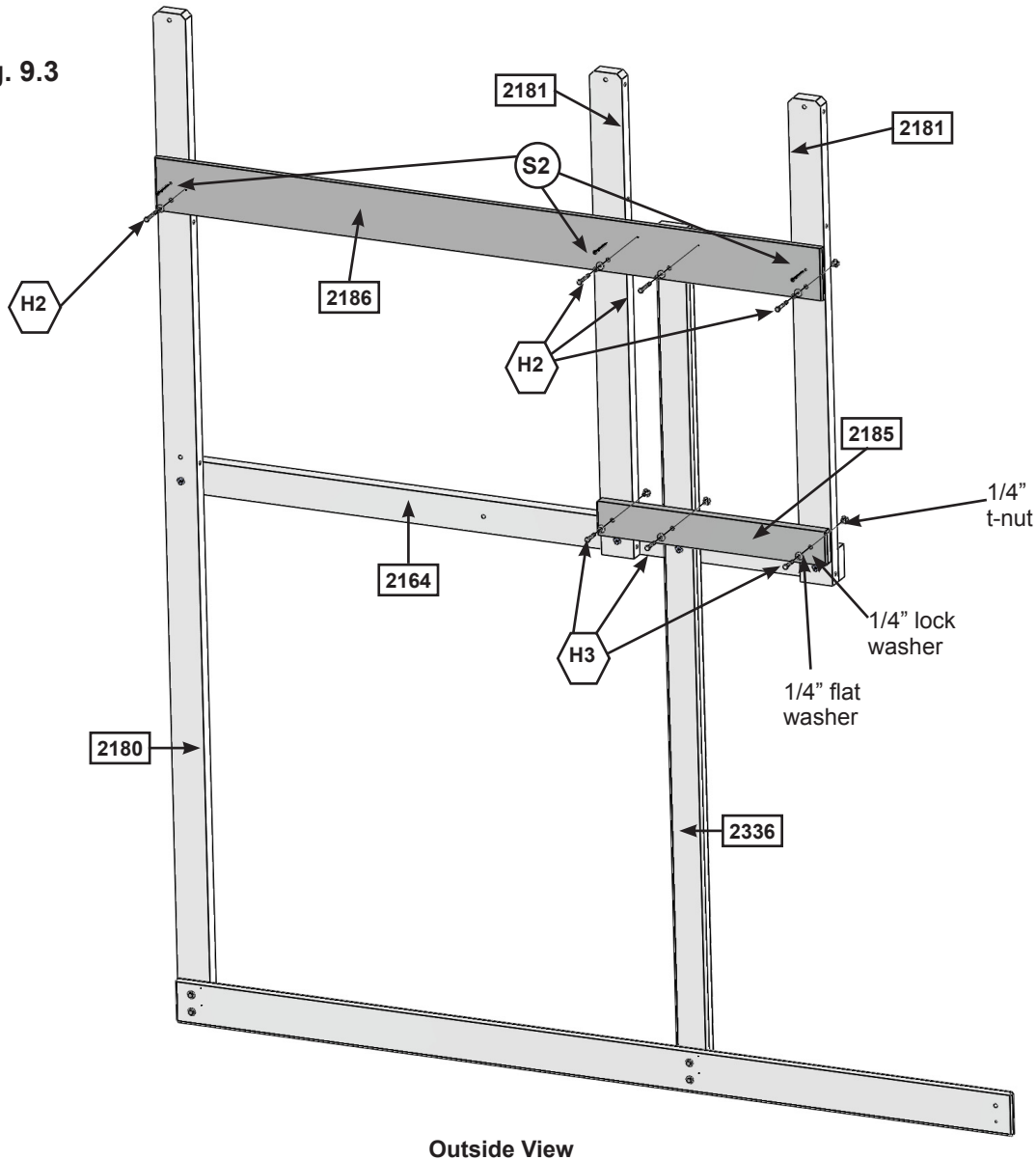


D: Loosely attach (2186) Back Front Wall to each (2181) Short Post, to (2336) Centre Post and to (2180) Post with 4 (H2) 1/4 x 2" Hex Bolts (with lock washer, flat washer and t-nut). (fig. 9.3)

E: Loosely attach (2185) Lower Back to each (2181) Short Post and to (2336) Centre Post with 3 (H3) 1/4 x 2-1/2" Hex Bolts (with lock washer, flat washer and t-nut). (fig. 9.3)

F: Make sure assembly is square then tighten all bolts and attach (2186) Back Front Wall to (2180) Post and each (2181) Short Post with 3 (S2) #8 x 1-1/2" Wood Screws. (fig. 9.3)

Fig. 9.3



Outside View

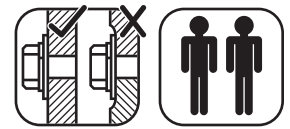
Wood Parts

- 1 x 2186 Back Front Wall 1 x 6 x 69-1/2"
- 1 x 2185 Lower Back 5/4 x 4 x 24"

Hardware

- 4 x H2 1/4 x 2" Hex Bolt
(1/4" lock washer, 1/4" flat washer, 1/4" t-nut)
- 3 x H3 1/4 x 2-1/2" Hex Bolt
(1/4" lock washer, 1/4" flat washer, 1/4" t-nut)
- 3 x S2 #8 x 1-1/2" Wood Screw

Step 10: Swing Wall Assembly Part 1



A: With at least one adult helper hold up the Front and Back Walls and loosely attach (2184) SW Ground using 4 (H4) 1/4 x 4" Hex Bolts (with lock washer, flat washer and t-nut) and (2188) SW End using 2 (H5) 1/4 x 4-1/2" Hex Bolts (with lock washer, flat washer and t-nut), in the top holes, to both (2180) Posts. (fig. 10.1 and 10.2)

B: Loosely attach 1 (0369) Lower Diagonal to each end of (2184) SW Ground with 1 (H2) 1/4 x 2" Hex Bolt (with lock washer, flat washer and t-nut) per diagonal. (fig. 10.1 and 10.2)

Fig. 10.1

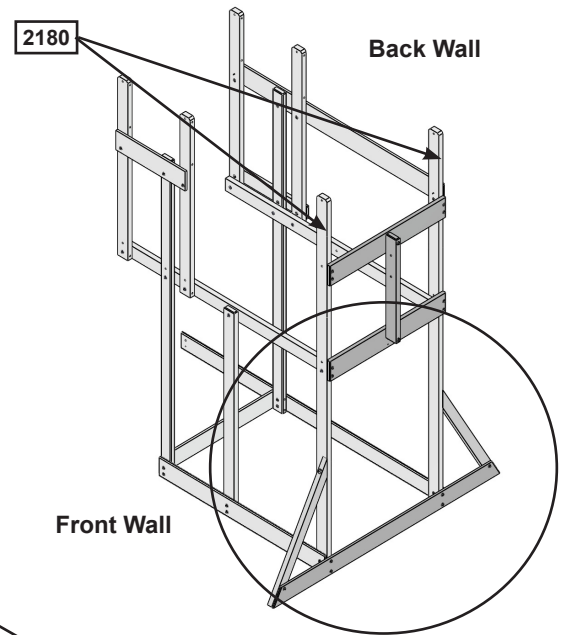
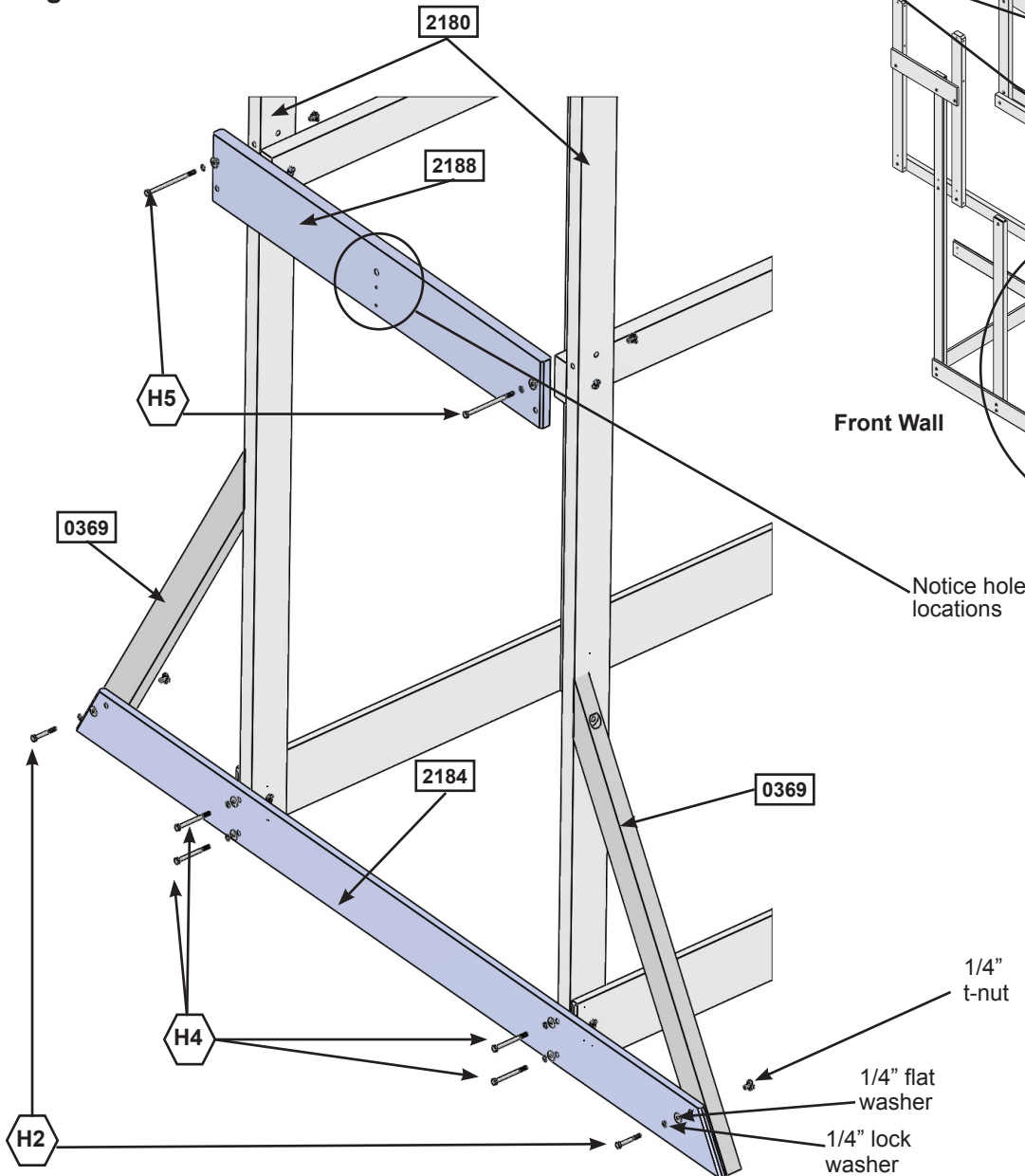


Fig. 10.2



Wood Parts

- 1 x 2184 SW Ground 1 x 5 x 75-3/8"
- 1 x 2188 SW End 5/4 x 6 x 38-1/2"
- 2 x 0369 Lower Diagonal 2 x 3 x 37"

Hardware

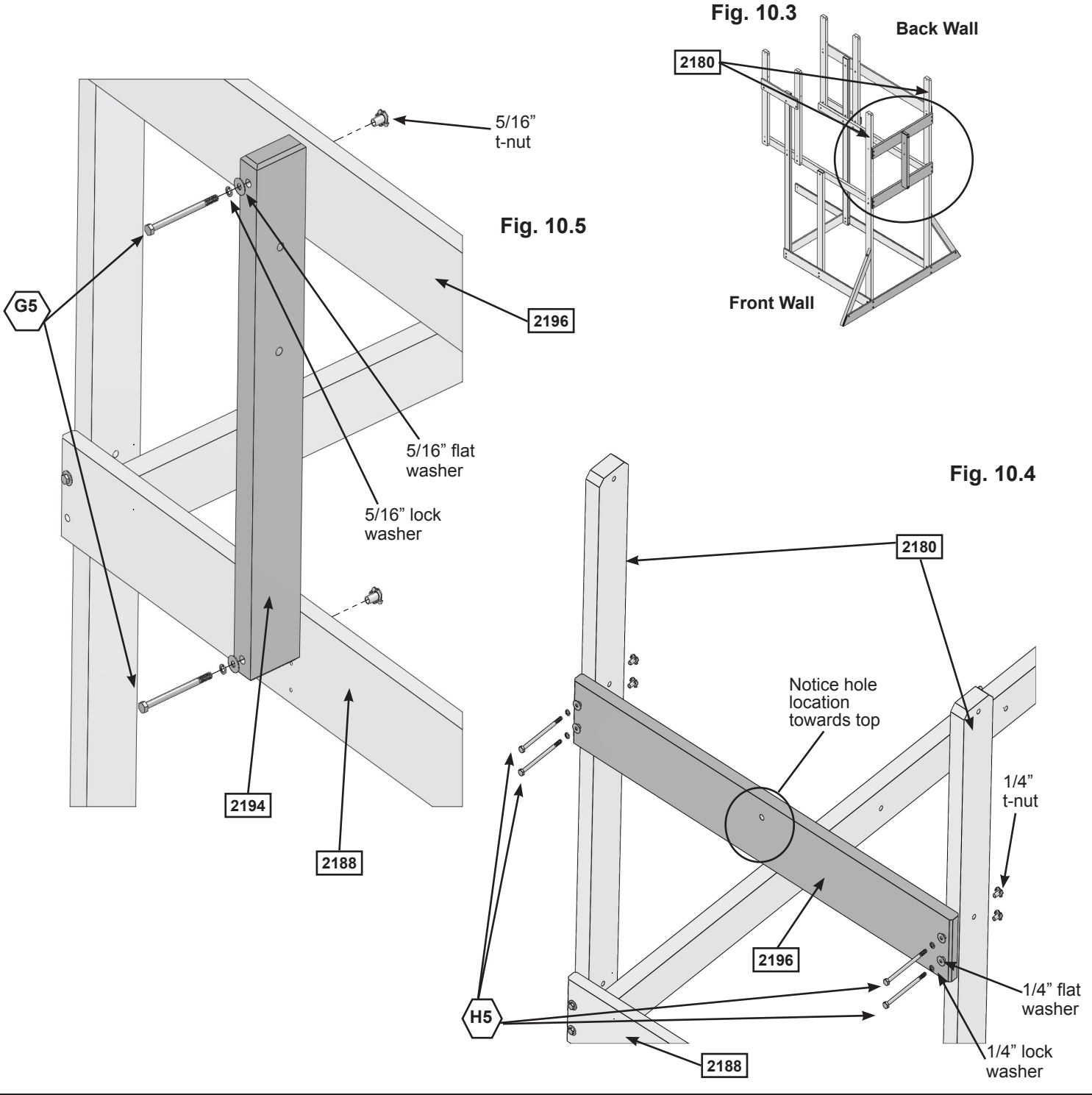
- 2 x H2 1/4 x 2" Hex Bolt (1/4" lock washer, 1/4" flat washer, 1/4" t-nut)
- 4 x H4 1/4 x 4" Hex Bolt (1/4" lock washer, 1/4" flat washer, 1/4" t-nut)
- 2 x H5 1/4 x 4-1/2" Hex Bolt (1/4" lock washer, 1/4" flat washer, 1/4" t-nut)

Step 10: Swing Wall Assembly Part 2



C: Above (2188) SW End loosely attach (2196) SW Top to both (2180) Posts using 4 (H5) 1/4 x 4-1/2" Hex Bolts (with lock washer, flat washer and t-nut). (fig. 10.3 and 10.4)

D: Loosely attach (2194) SW Mount to (2188) SW End and (2196) SW Top with 2 (G5) 5/16 x 4-1/2" Hex Bolts (with lock washer, flat washer and t-nut). (fig. 10.3 and 10.5)



Wood Parts

- 1 x **2196** SW Top 5/4 x 6 x 38-1/2"
- 1 x **2194** SW Mount 2 x 4 x 29"

Hardware

- 4 x **H5** 1/4 x 4-1/2" Hex Bolt (1/4" lock washer, 1/4" flat washer, 1/4" t-nut)
- 2 x **G5** 5/16 x 4-1/2" Hex Bolt (5/16" lock washer, 5/16" flat washer, 5/16" t-nut)

Step 11: Slide Wall Assembly



A: Loosely attach (2189) SL Ground to the outside of each (2336) Centre Post with 4 (H4) 1/4 x 4" Hex Bolts (with lock washer, flat washer and t-nut). (fig. 11.1 and 11.2)

B: With the bolt holes towards the bottom of the board loosely attach (2187) SL End to each outside (2181) Short Post with 2 (H6) 1/4 x 4-3/4" Hex Bolts (with lock washer, flat washer and t-nut). (fig. 11.1 and 11.3)

Fig. 11.1

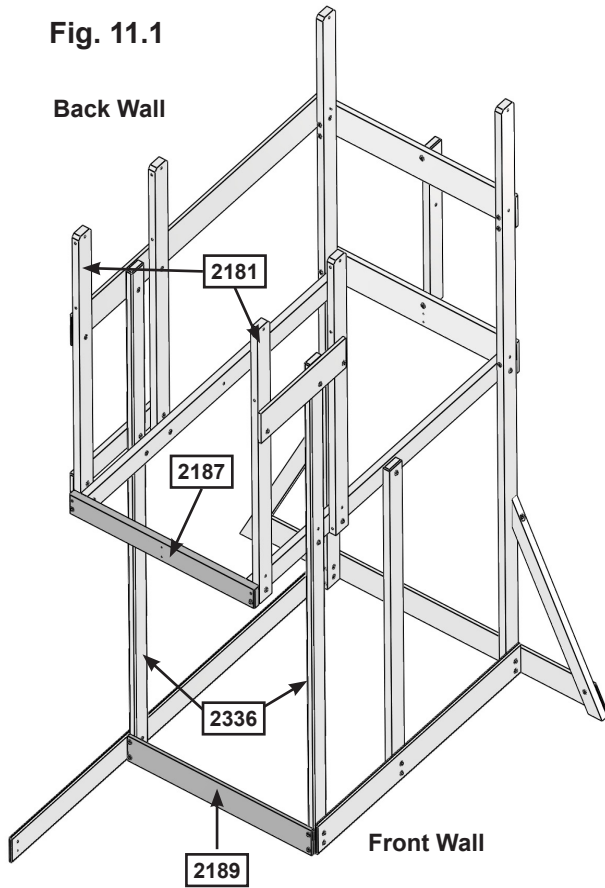


Fig. 11.3

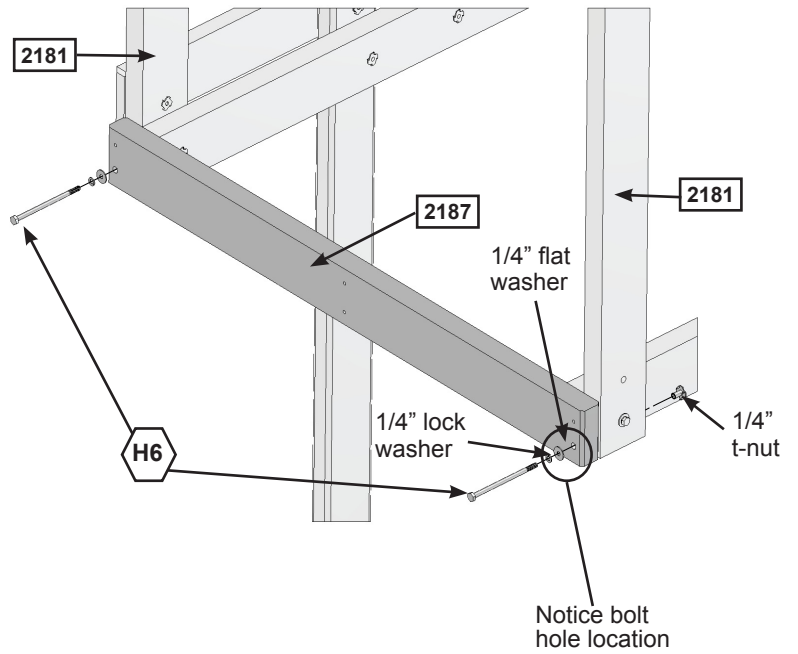
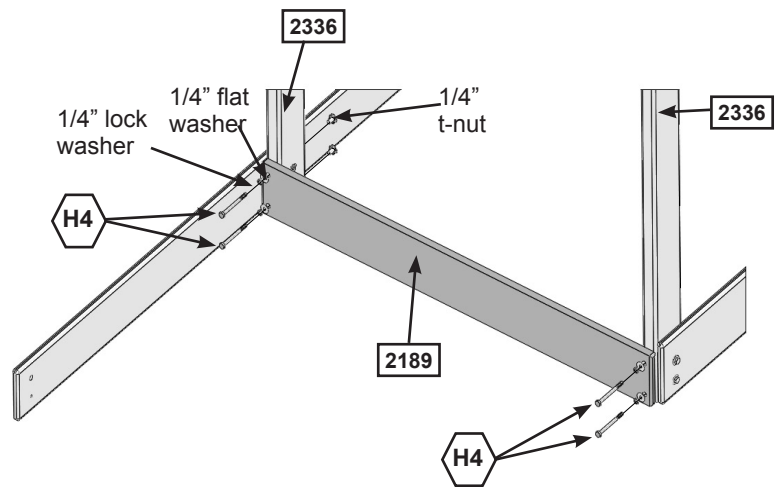


Fig. 11.2



Wood Parts

- 1 x 2189 SL Ground 1 x 5 x 38-1/2"
- 1 x 2187 SL End 2 x 4 x 38-1/2"

Hardware

- 4 x H4 1/4 x 4" Hex Bolt (1/4" lock washer, 1/4" flat washer, 1/4" t-nut)
- 2 x H6 1/4 x 4-3/4" Hex Bolt (1/4" lock washer, 1/4" flat washer, 1/4" t-nut)

Step 12: Square and Secure Assembly



A: Make sure assembly is square then tighten all bolts from Steps 10 and 11. (fig. 12.1)

Note: Pre-drill all holes using a 3/16" drill bit before installing the lag screws.

B: Fasten (2188) SW End to (2180) Posts, in the bottom holes, using 2 (LS3) 1/4 x 3" Lag Screws (with flat washer). (fig. 12.2)

C: Attach the top end of (0369) Lower Diagonal to each (2180) Post with 1 (LS2) 1/4 x 2-1/2" Lag Screw (with flat washer) per diagonal. (fig. 12.2 and 12.3)

Fig. 12.2

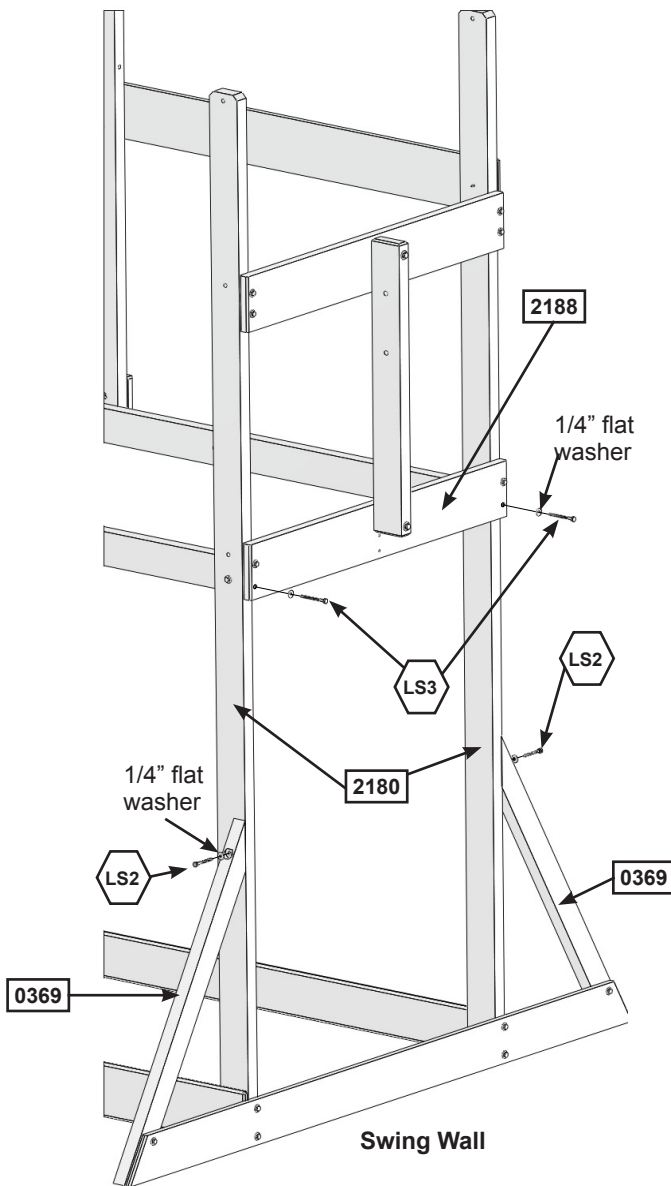


Fig. 12.1

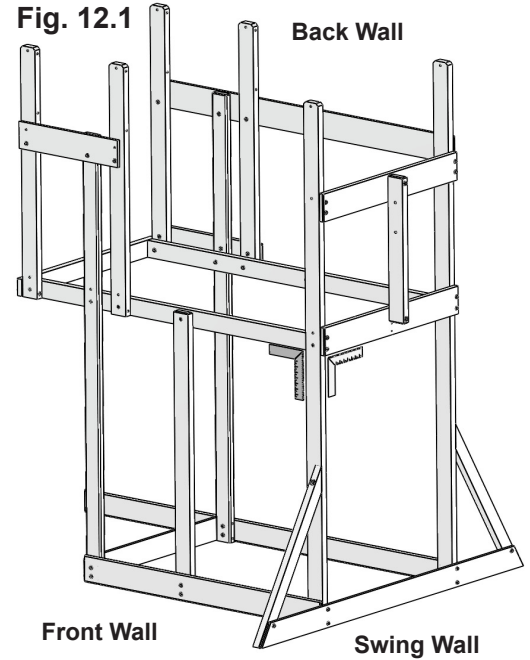
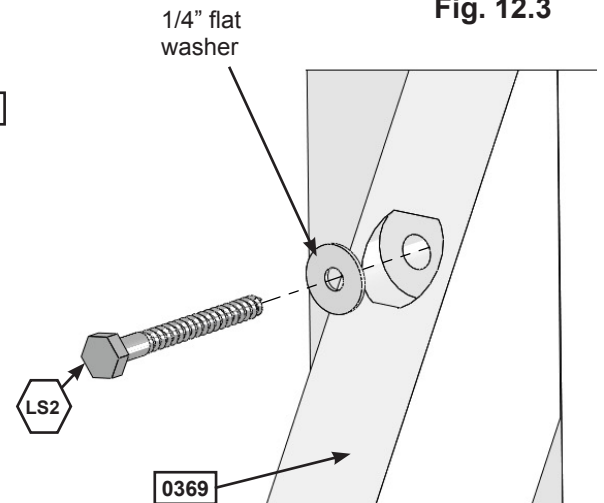
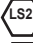



Fig. 12.3



Hardware

- 2 x  1/4 x 2-1/2" Lag Screw (1/4" flat washer)
- 2 x  1/4 x 3" Lag Screw (1/4" flat washer)

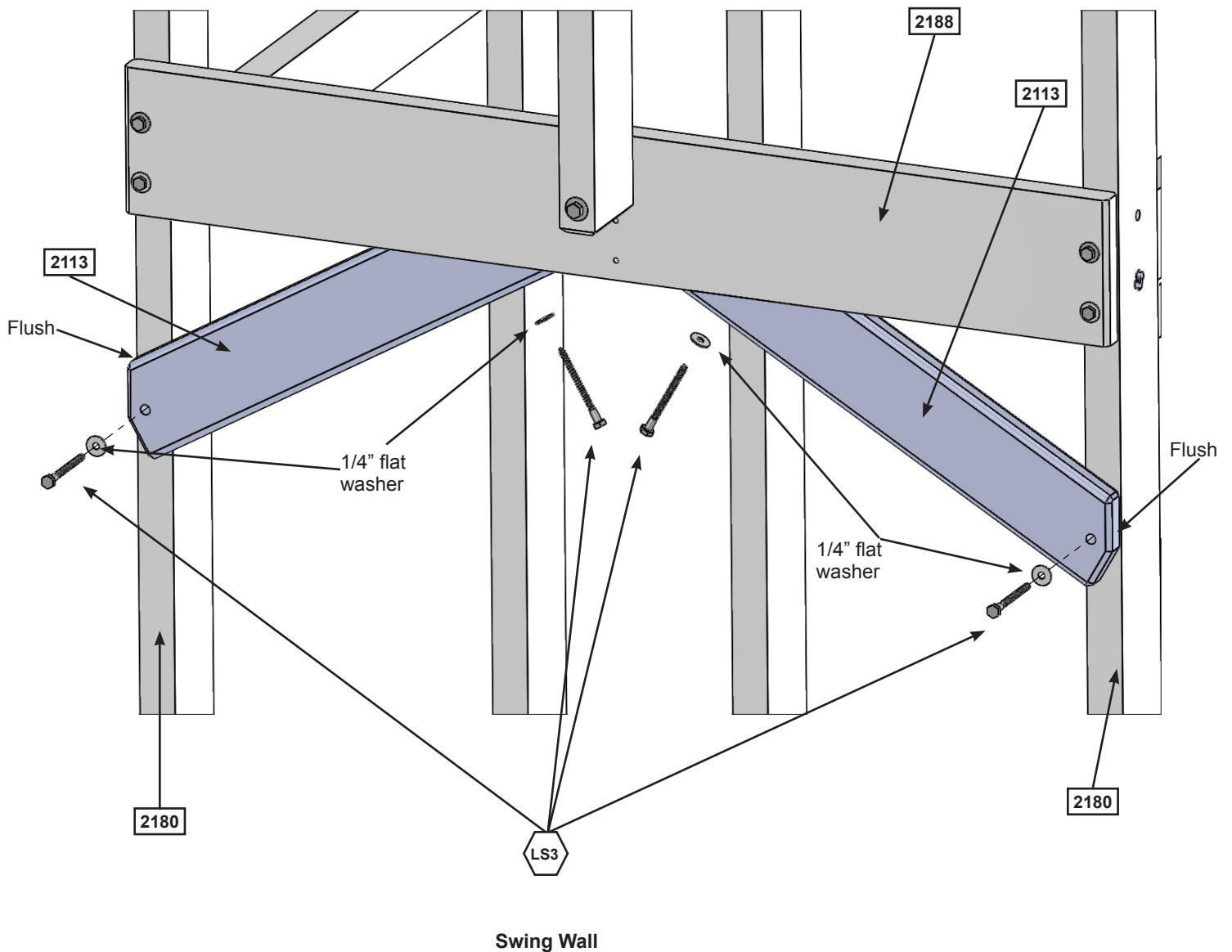
Step 13: Attach Swing Wall Gussets



Note: Pre-drill all holes using a 3/16" drill bit before installing the lag screws.

A: Tight to the bottom of (2188) SW End and top bevelled edge flush to outside edge of (2180) Posts, attach 1 (2113) Gusset II to each side using 2 (LS3) 1/4 x 3" Lag Screws (with flat washer) per gusset. (fig. 13.1)

Fig. 13.1



Wood Parts

2 x 2113 Gusset II 5/4 x 4 x 18-1/2"

Hardware

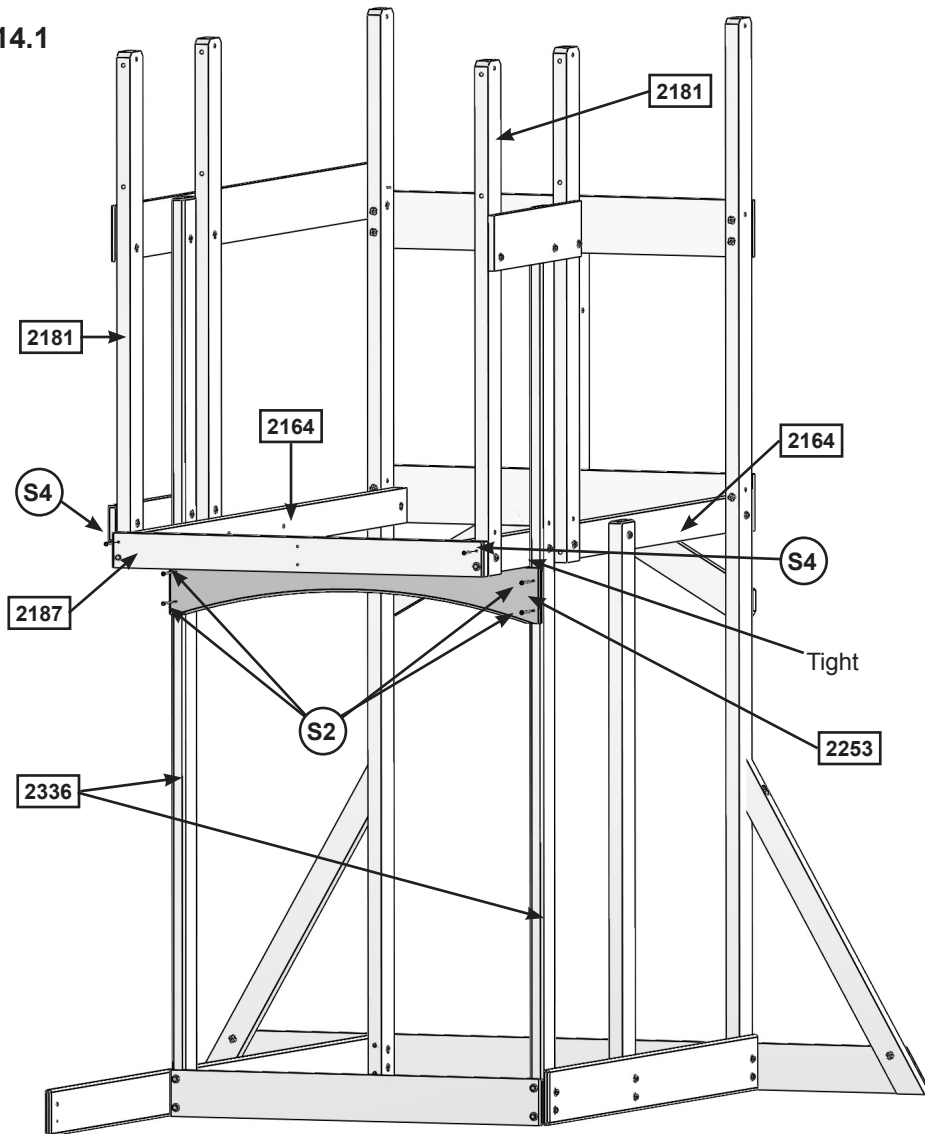
4 x LS3 1/4 x 3" Lag Screw (1/4" flat washer)

Step 14: Attach SL Arch to Slide Wall

A: Tight to the bottom of each (2164) Floor Support and flush to the outside edges of (2336) Centre Posts attach (2253) SL Arch with 4 (S2) #8 x 1-1/2" Wood Screws. (fig. 14.1)

B: Attach (2187) SL End to (2181) Short Posts with 2 (S4) #8 x 3" Wood Screws in the top holes. (fig. 14.1)

Fig. 14.1



Slide Wall

Wood Parts

1 x [2253] SL Arch 1 x 6 x 38-1/2"

Hardware

4 x (S2) #8 x 1-1/2" Wood Screw

2 x (S4) #8 x 3" Wood Screw

Step 15: Attach Slide Wall Gussets

A: Tight and flush to the outside edge of (2336) Centre Post and tight to the bottom of (2181) Short Post attach 1 (2239) Gusset to (2336) Centre Post and (2164) Floor Support on each side of the assembly with 2 (S3) #8 x 2-1/2" Wood Screws per gusset. (fig. 15.1 and 15.2)

Fig. 15.1

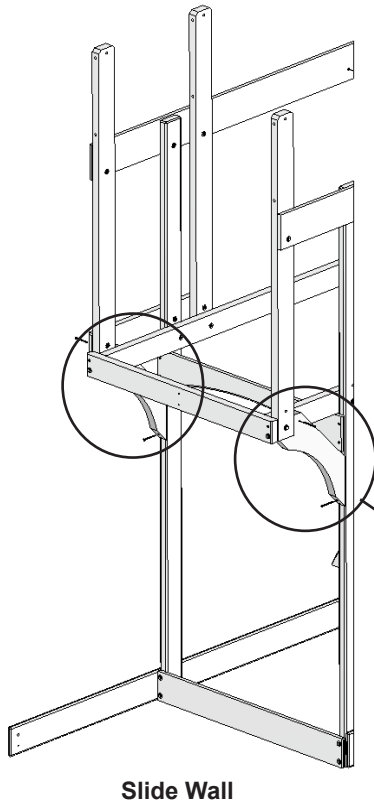
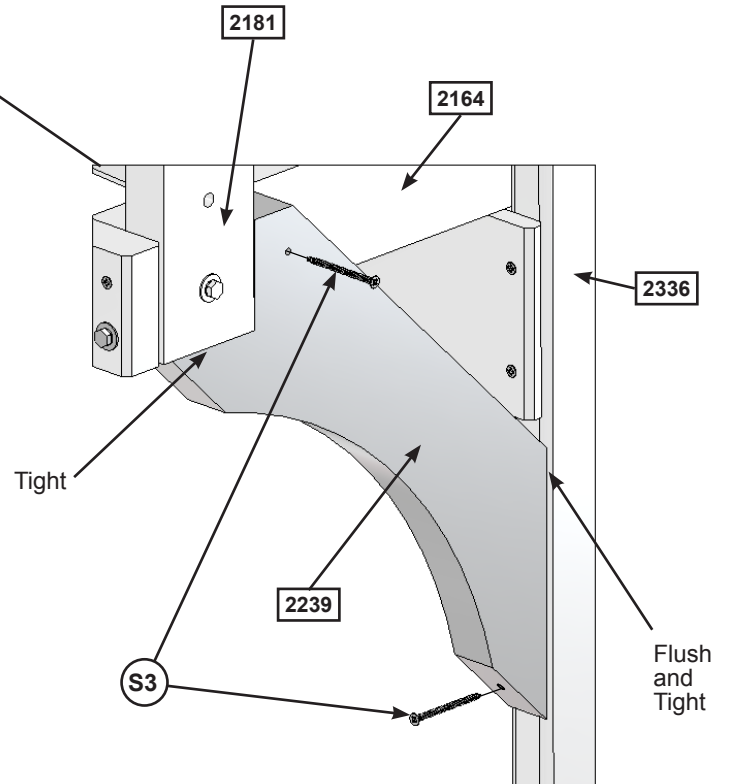


Fig. 15.2



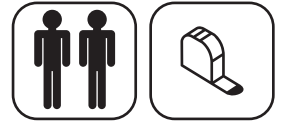
Wood Parts

2 x **2239** Gusset 2 x 6 x 19-11/16"

Hardware

4 x **S3** #8 x 2-1/2" Wood Screw

Step 16: Attach Ground Stakes



MOVE FORT TO FINAL LOCATION. FINAL LOCATION MUST BE LEVEL GROUND

⚠️WARNING: To prevent tipping and avoid potential injury, stakes must be driven 10-1/2" into ground. Digging or driving stakes can be dangerous if you do not check first for underground wiring, cables or gas lines.

A: Drive 1 (0318) Ground Stake 10-1/2" into the ground at both (0369) Lower Diagonals and 1 on the Slide Wall Side tight to (2336) Centre Post and (2189) SL Ground as shown in fig. 16.1. Attach using 2 (S3) #8 x 2-1/2" Wood Screws per ground stake. (fig. 16.2)

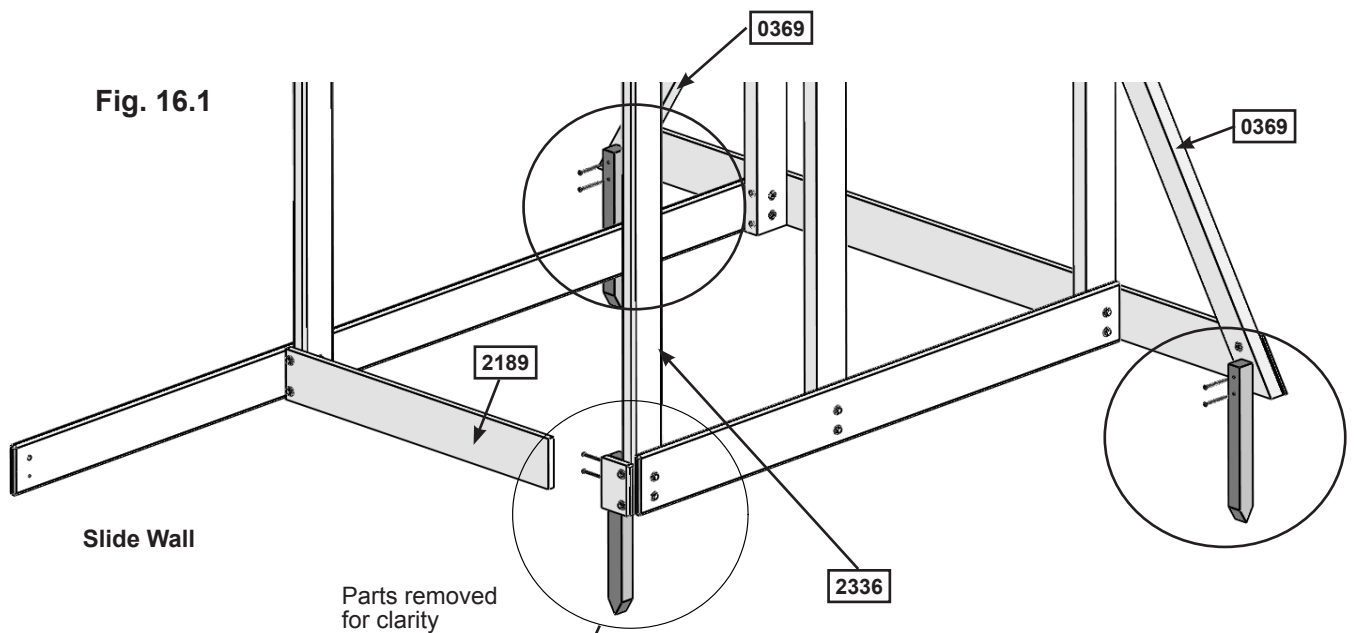
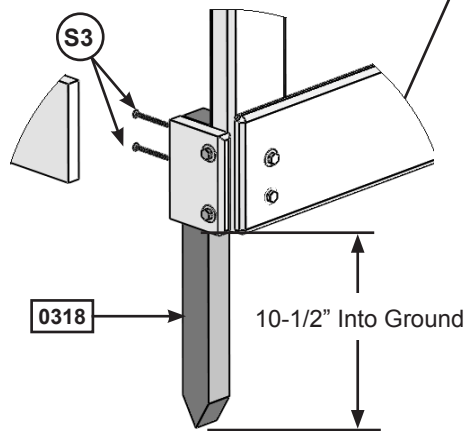


Fig. 16.2



Wood Parts

3 x 0318 Ground Stake 1-1/4 x 1-1/2 x 14"

Hardware

6 x S3 #8 x 2-1/2" Wood Screw

Step 17: Floor Assembly Part 1

A: Flush to the bottom of both (2187) SL End and (2188) SW End attach (2165) Joist with 2 (S4) #8 x 3" Wood Screws per end (fig. 17.1 and 17.2)

Fig. 17.1

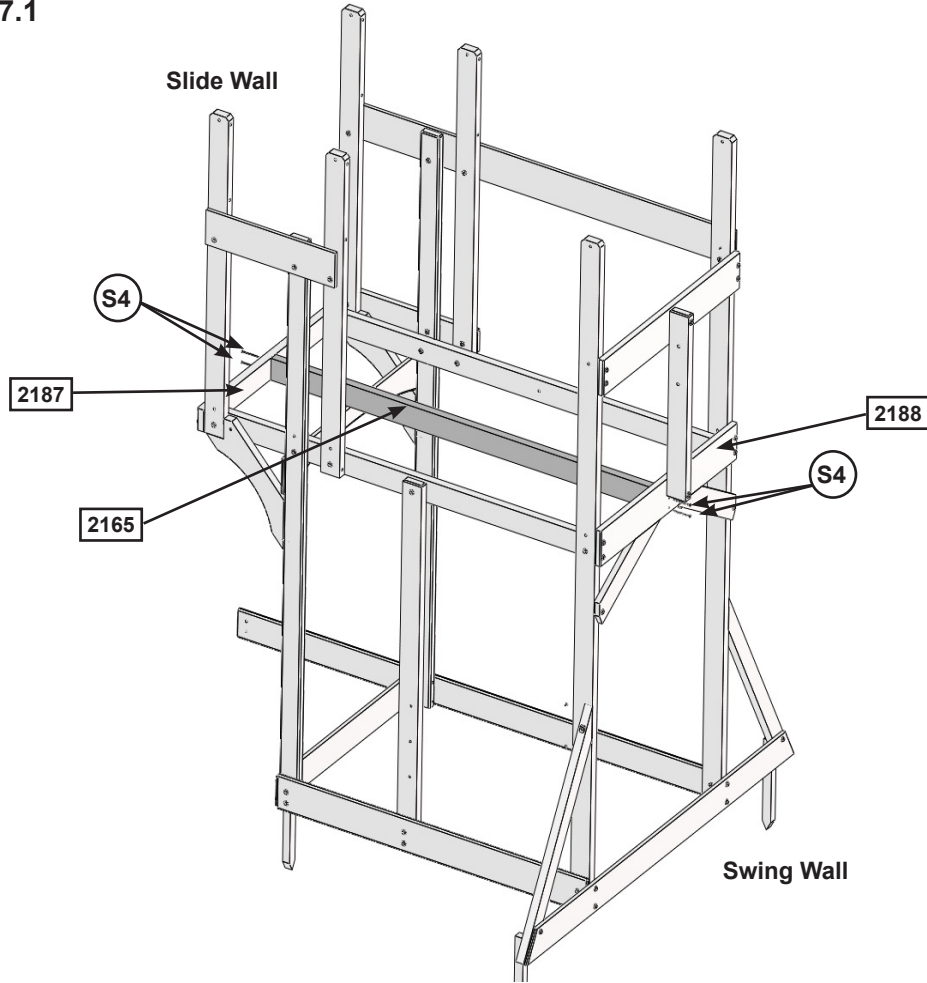
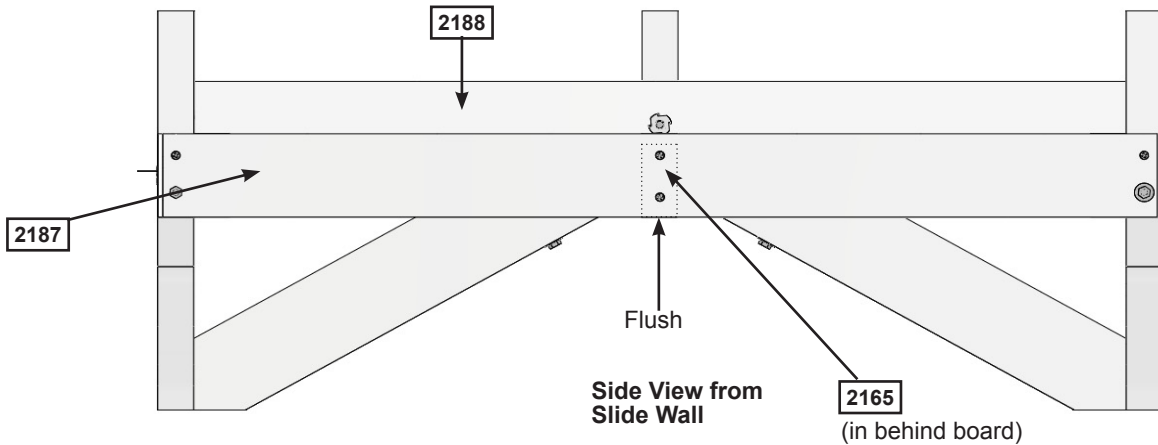


Fig. 17.2



Wood Parts

1 x (2165) Joist 2 x 4 x 69-7/16"

Hardware

4 x (S4) #8 x 3" Wood Screw

Step 17: Floor Assembly Part 2



B: Tight to (2188) SW End and between both (2180) Posts attach 1 (2197) Floor Board to each (2164) Floor Support and to (2165) Joist with 5 (S2) #8 x 1-1/2" Wood Screws. (fig. 17.3 and 17.4)

C: Measure 42" from (2197) Floor Board and attach a second (2197) Floor Board to each (2164) Floor Support and to (2165) Joist with 5 (S2) #8 x 1-1/2" Wood Screws. (fig. 17.3 and 17.4)

D: Flush to the end of (2187) SL End and between both outside (2181) Short Posts attach 1 (2197) Floor Board to each (2164) Floor Support, (2187) SL End and (2165) Joist with 5 (S2) #8 x 1-1/2" Wood Screws. (fig. 17.3 and 17.4)

Fig. 17.3
Top View

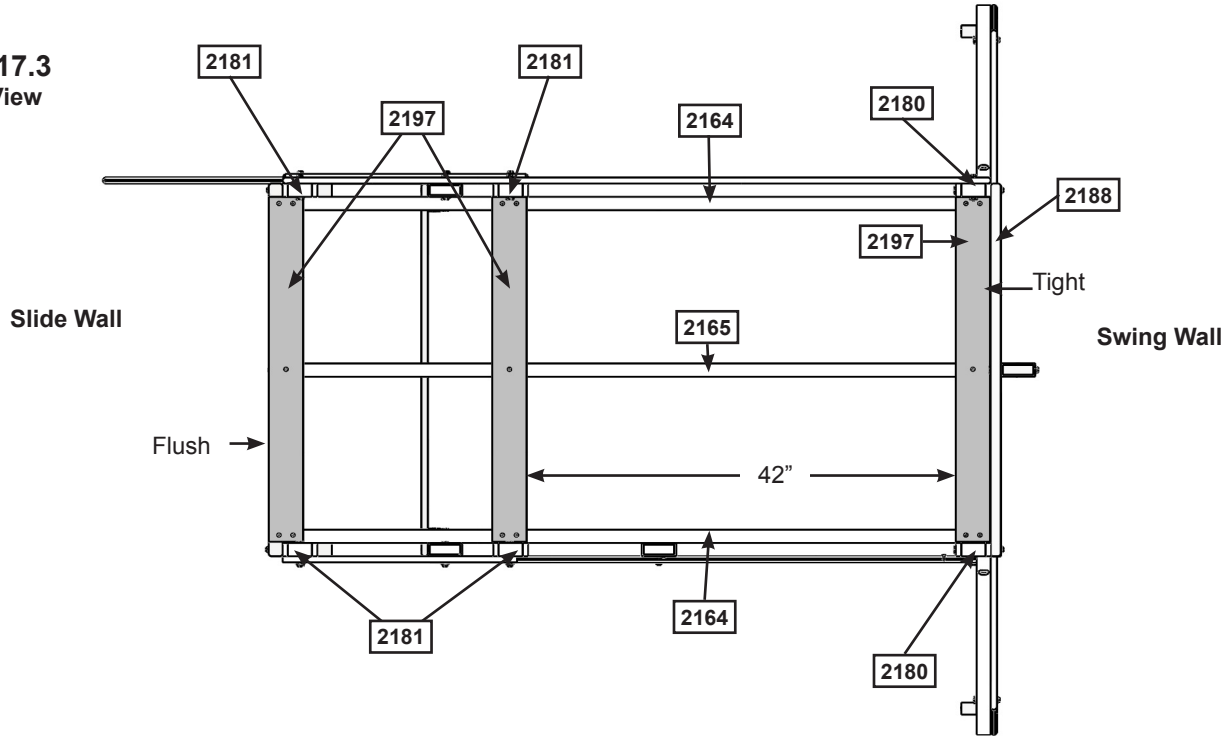
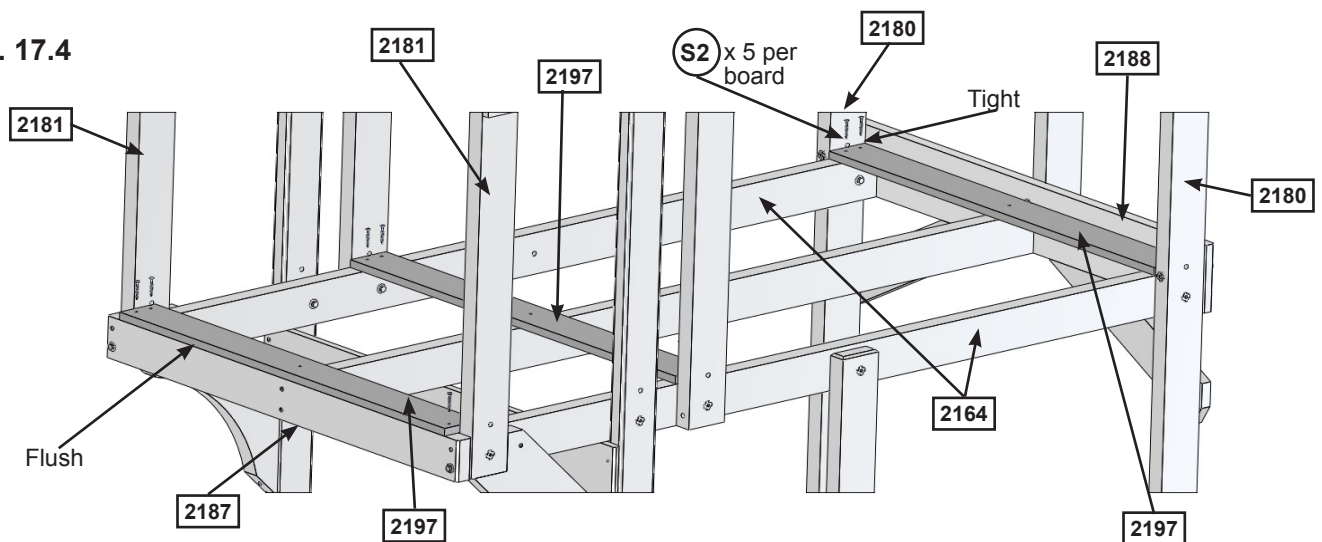


Fig. 17.4



Wood Parts

3 x 2197 Floor Board 1 x 4 x 35-5/8"

Hardware

15 x S2 #8 x 1-1/2" Wood Screw

Step 17: Floor Assembly Part 3

E: Starting on the Swing Wall place (2198) Floor Board II tight to (2197) Floor Board and flush to the outside of the Back Wall (2164) Floor Support. (fig. 17.5 and 17.6)

F: Evenly space 7 (2163) Floor Boards between (2198) Floor Board II and the middle (2197) Floor Board, flush to the outside of the Back Wall (2164) Floor Support. (fig. 17.5 and 17.6)

G: All floor boards in this step will overhang on the Front Wall side of the assembly. Attach all 8 boards to each (2164) Floor Support and to (2165) Joist with 5 (S2) #8 x 1-1/2" Wood Screws per board. (fig. 17.6)

Fig. 17.5

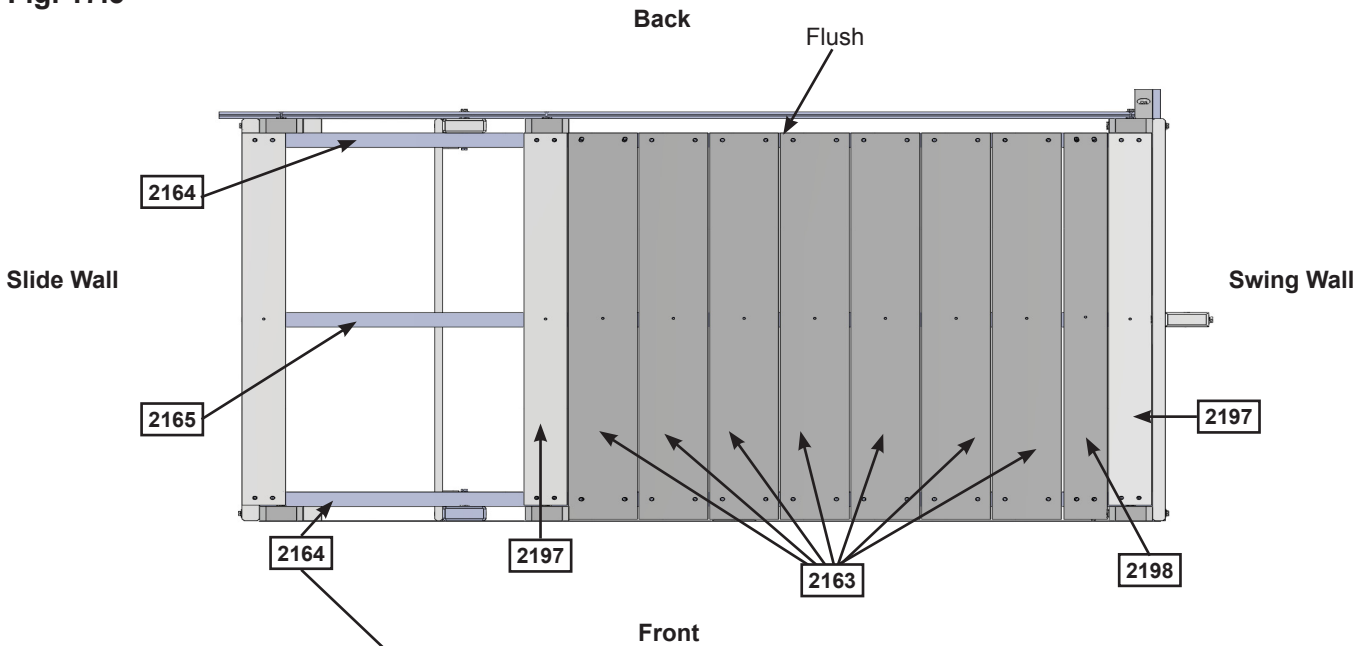
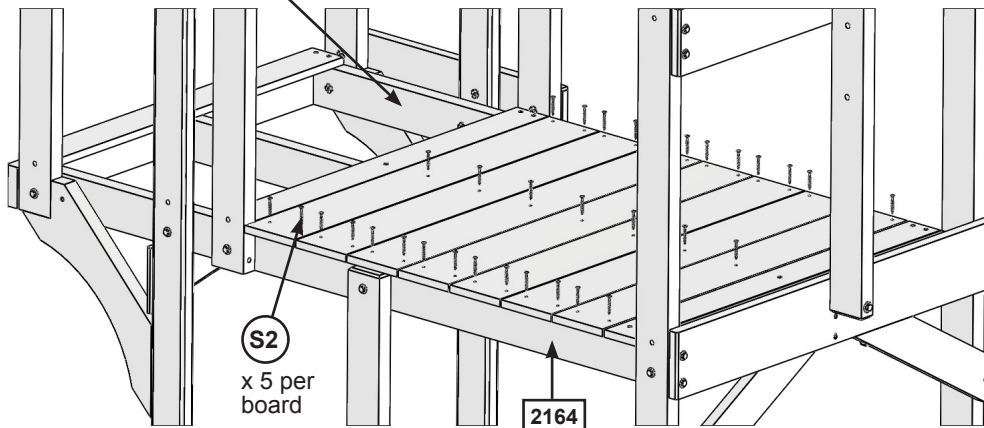


Fig. 17.6



Wood Parts

1 x 2198 Floor Board II 1 x 4 x 37"

7 x 2163 Floor Board 1 x 6 x 37"

Hardware

40 x (S2) #8 x 1-1/2" Wood Screw

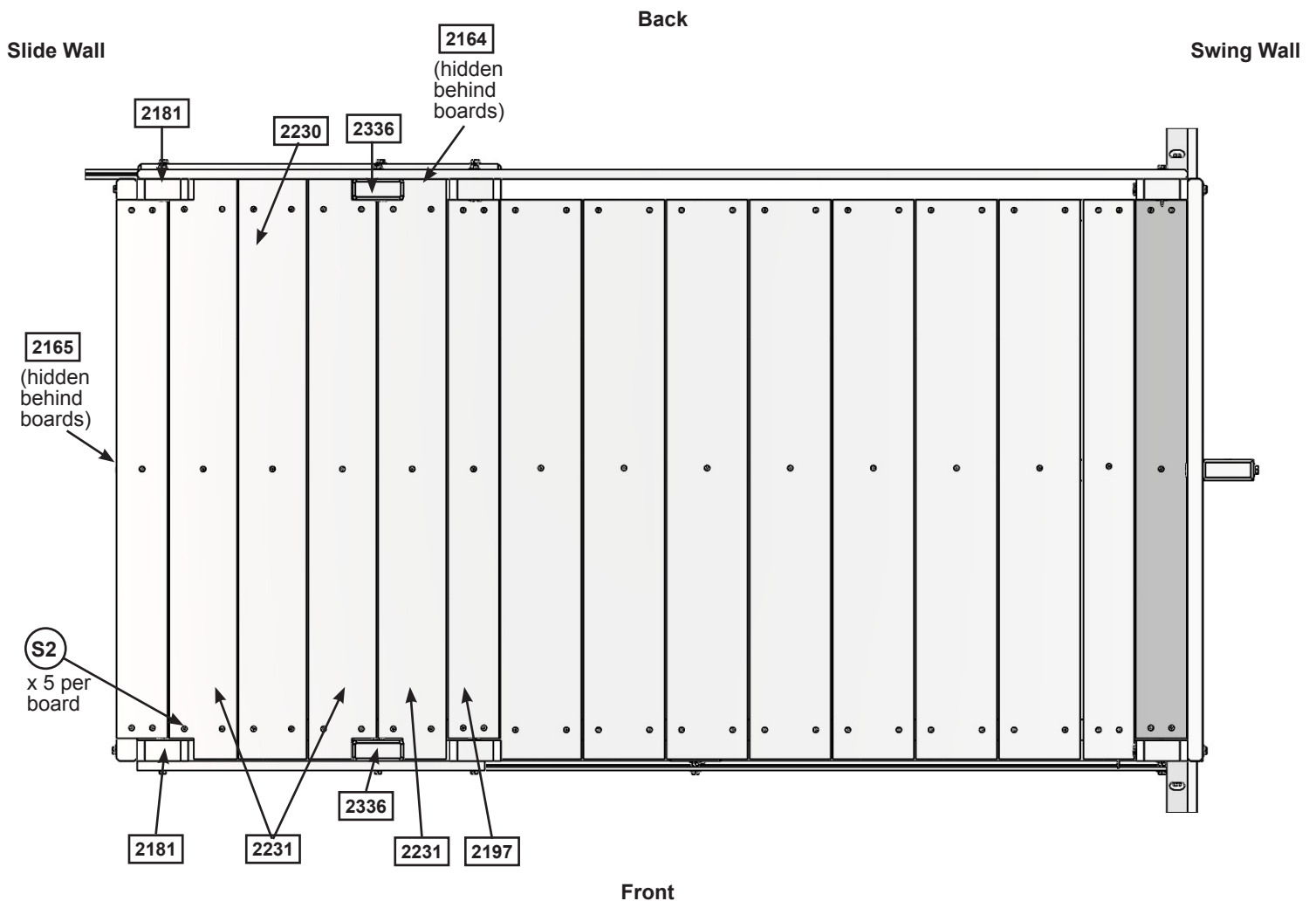
Step 17: Floor Assembly Part 4

H: Next to middle (2197) Floor Board place 2 (2231) Gap Boards so the notched out corners surround and are tight to each (2336) Centre Post. (fig. 17.7)

I: Next to (2231) Gap Board place (2230) Floor Board III then a third (2231) Gap Board so the notched out corners fit against both outside (2181) Short Posts. (fig. 17.7)

J: All boards in this step will overhang on the Front Wall side of the assembly. Attach all 4 boards to each (2164) Floor Support and to (2165) Joist with 5 (S2) #8 x 1-1/2" Wood Screws per board. (fig. 17.7)

Fig. 17.7



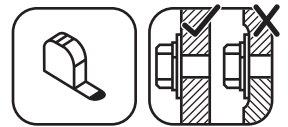
Wood Parts

- 3 x 2231 Gap Board 1 x 5 x 38-3/8"
- 1 x 2230 Floor Board III 1 x 5 x 38-3/8"

Hardware

- 20 x S2 #8 x 1-1/2" Wood Screw

Step 18: Door Wall Assembly Part 1



A: Measure the distance between (2179) Door Post and (2336) Centre Post to make sure it is 17-1/2". If it does not meet this measurement loosen all bolts in (2179) Door Post and (2336) Centre Post, move posts until you achieve this measurement then re-tighten the bolts. (fig. 18.1)

B: On the Front Wall attach (2186) Back Front Wall to (2180) Post, (2336) Centre Post and to both (2181) Short Posts with 4 (H2) 1/4 x 2" Hex Bolts (with lock washer, flat washer and previously installed t-nut) and 2 (S2) #8 x 1-1/2" Wood Screws as shown in fig. 18.2 and 18.3. Notice the screw holes are towards the bottom of the board.

Fig. 18.1

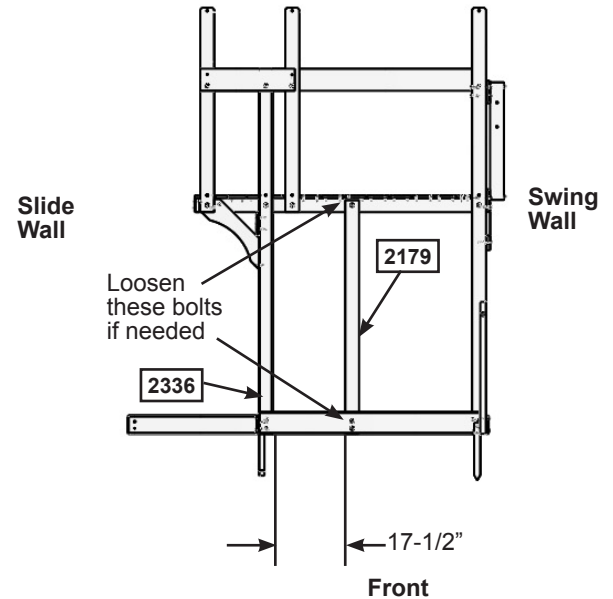


Fig. 18.3

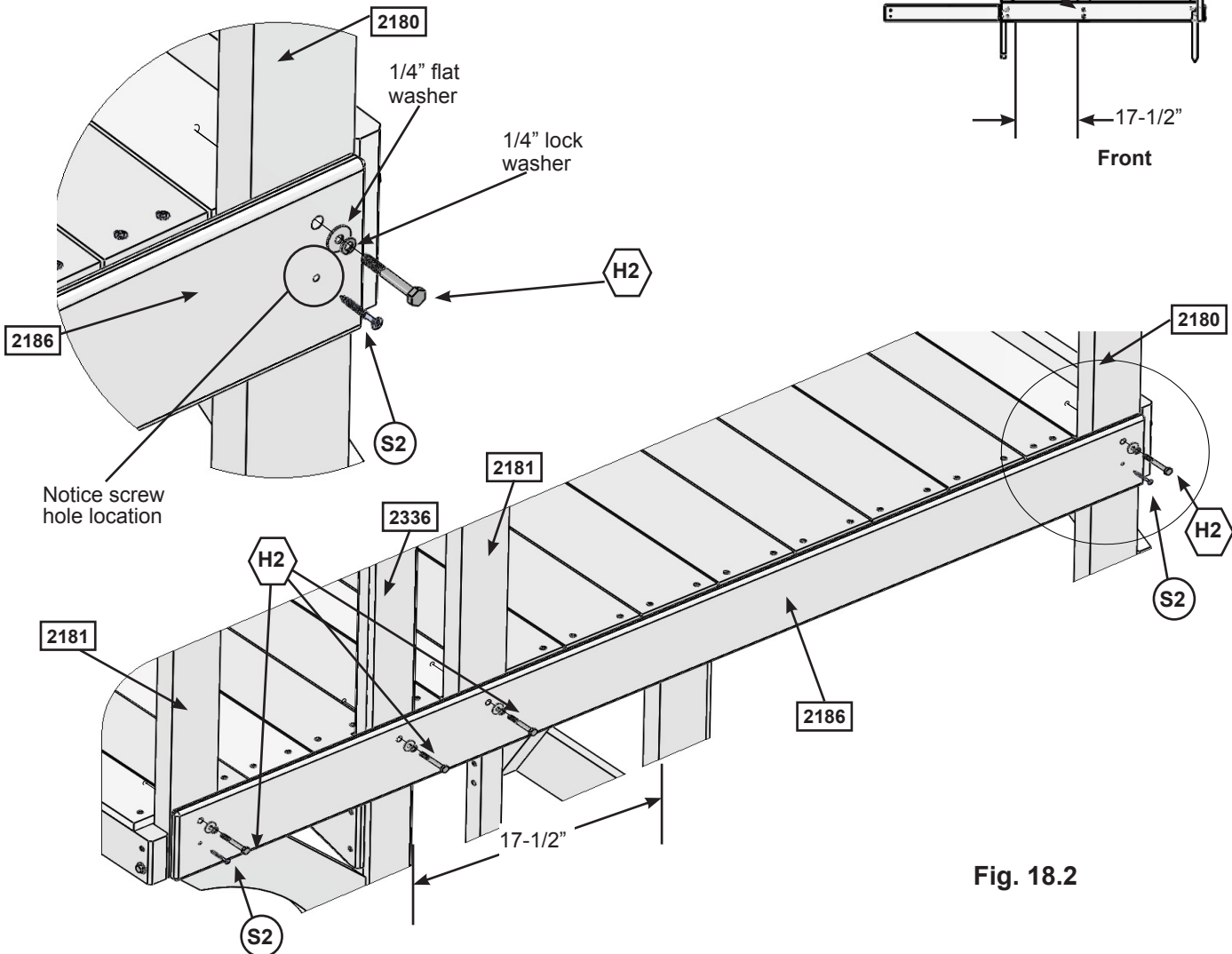


Fig. 18.2

Wood Parts

1 x [2186] Back Front Wall 1 x 6 x 69-1/2"

Hardware

2 x (S2) #8 x 1-1/2" Wood Screw

4 x (H2) 1/4 x 2" Hex Bolt
(1/4" lock washer, 1/4" flat washer, previously installed 1/4" t-nut)

Step 18: Door Wall Assembly Part 2



C: Tight to the bottom of (2186) Back Front Wall and flush to the outside edges of (2180) Post and (2336) Centre Post attach (2166) Door Arch to (2180) Post, (2179) Door Post and (2336) Centre Post with 6 (S2) #8 x 1-1/2" Wood Screws. (fig. 18.4)

D: In the opening for the door between (2179) Door Post and (2336) Centre Post, measure 5/8" up from the top of (2343) Ground Front then attach the Door Hinges on (9509) Door Panel to (2336) Centre Post with 3 (S13) #6 x 5/8" Pan Screws. (fig. 18.4 and 18.5)

Fig. 18.5

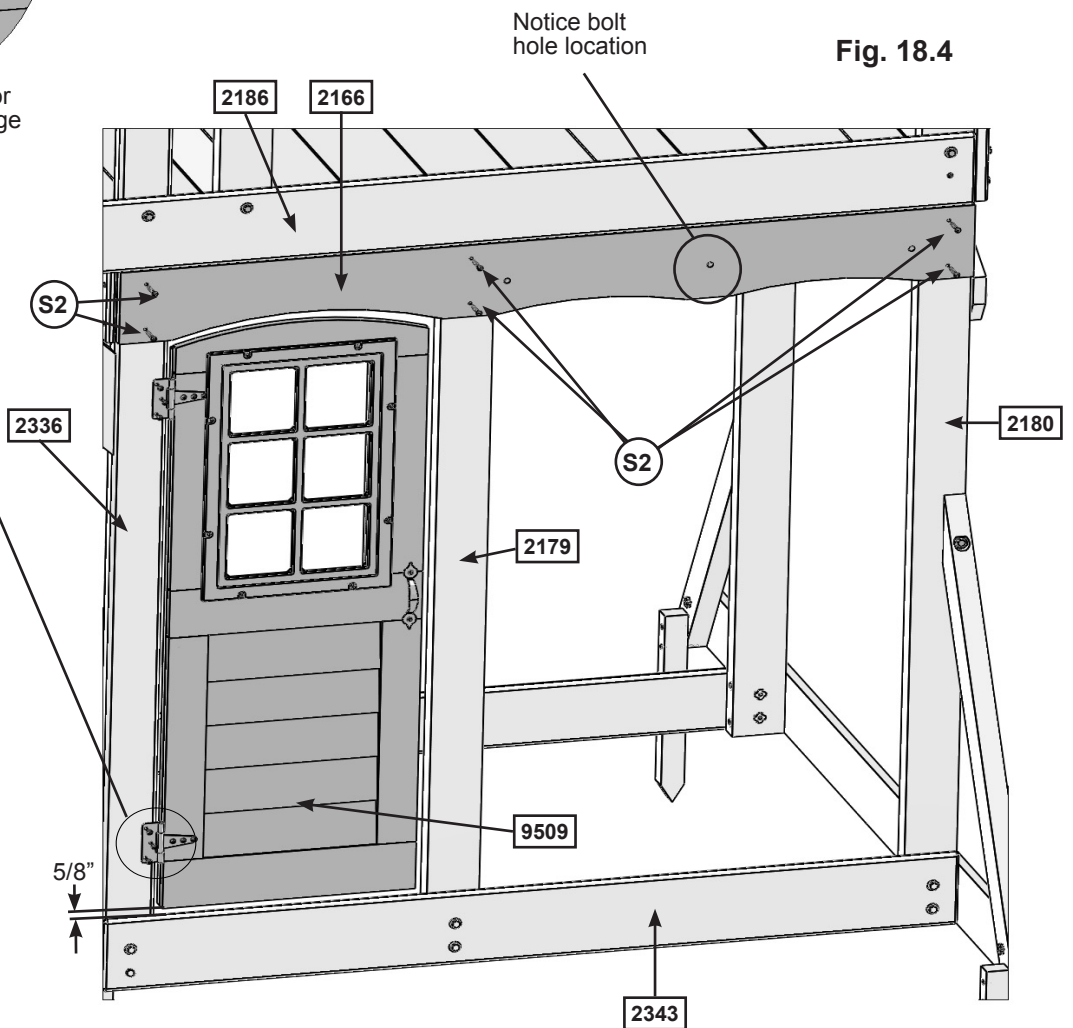
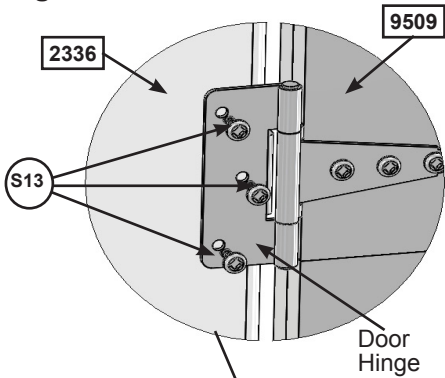


Fig. 18.4

Wood Parts

1 x **2166** Door Arch 1 x 6 x 55-1/4"

Hardware

6 x **S2** #8 x 1-1/2" Wood Screw

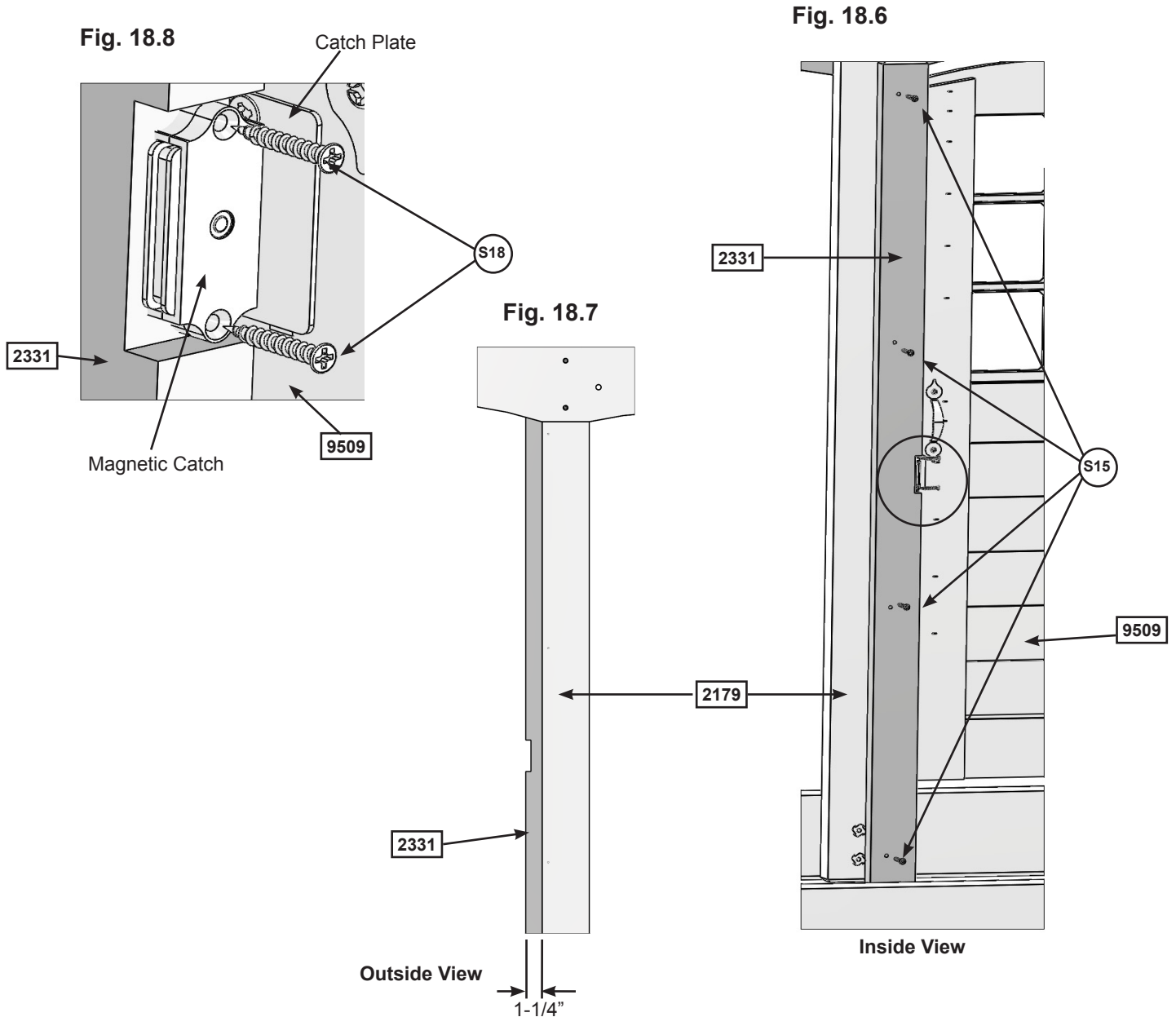
6 x **S13** #6 x 5/8" Pan Screw

Step 18: Door Wall Assembly Part 3



E: Align the notched out section of (2331) Door Stop with the Catch Plate on (9509) Door Panel then attach (2331) Door Stop to (2179) Door Post with 4 (S15) #8 x 1-3/4" Wood Screws so (2331) Door Stop overhangs the post by 1-1/4". (fig. 18.6 and 18.7)

F: In the notched out opening of (2331) Door Stop attach the Magnetic Catch using 2 (S18) #6 x 1" Wood Screws. (fig. 18.8) **Important: Use a hand held screw driver and DO NOT over tighten.**



Wood Parts

1 x 2331 Door Stop 5/4 x 3 x 50"

Hardware

4 x (S15) #8 x 1-3/4" Wood Screw

2 x (S18) #6 x 1" Wood Screw

Other Parts

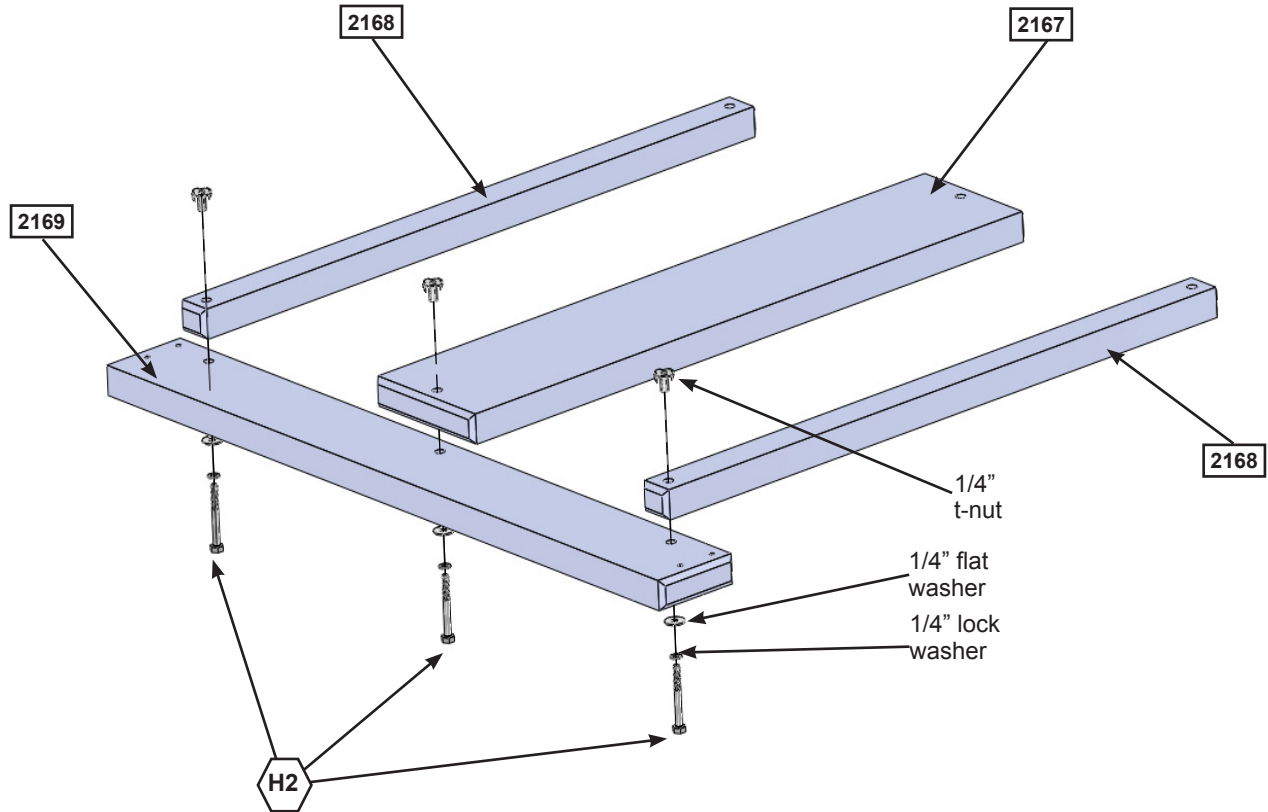
1 x Magnetic Catch

Step 18: Door Wall Assembly Part 4



G: Loosely attach 2 (2168) Window Sides and 1 (2167) Window Divider to (2169) Window Bottom with 1 (H2) 1/4 x 2" Hex Bolt (with lock washer, flat washer and t-nut) per board as shown in fig. 18.9.

Fig. 18.9



Wood Parts

- 2 x 2168 Window Side 5/4 x 2 x 26-1/2"
- 1 x 2167 Window Divider 5/4 x 6 x 26-1/2"
- 1 x 2169 Window Bottom 5/4 x 4 x 31-1/2"

Hardware

- 3 x H2 1/4 x 2" Hex Bolt
(1/4" lock washer, 1/4" flat washer, 1/4" t-nut)

Step 18: Door Wall Assembly Part 5



H: Attach both (2168) Window Sides and (2167) Window Divider to the inside of (2166) Door Arch with 1 (H1) 1/4 x 1-1/2" Hex Bolt (with lock washer, flat washer and t-nut) per board as shown in fig. 18.10. (2169) Window Bottom is on the outside of (2180) Post and (2179) Door Post.

I: Place 1 2x3 Panel Window in each opening between (2168) Window Sides and (2167) Window Divider. Make sure (2169) Window Bottom is tight to the bottom of each window then tighten the (H2) Hex Bolts from Step G. (fig. 18.11)

J: Fasten both windows to (2168) Window Sides and (2167) Window Divider with 6 (S1) #8 x 1-1/8" Wood Screws per window. (fig. 18.11)

K: Attach (2169) Window Bottom to (2180) Post and (2179) Door Post with 4 (S7) #12 x 2" Pan Screws. (fig. 18.11)

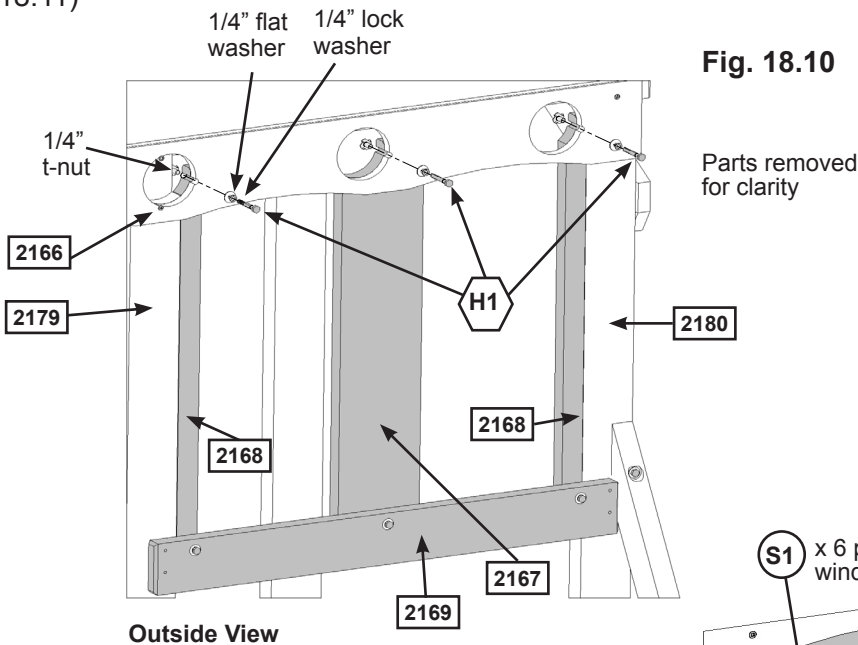


Fig. 18.10

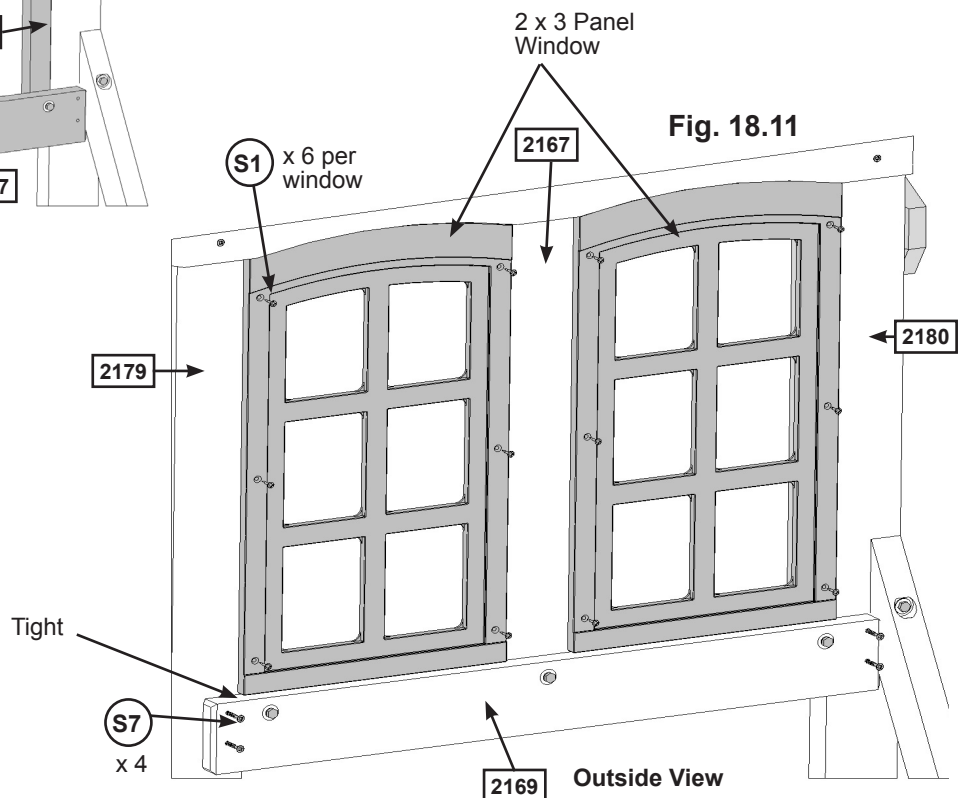


Fig. 18.11

Hardware

- 3 x 1/4 x 1-1/2" Hex Bolt (1/4" lock washer, 1/4" flat washer, 1/4" t-nut)
- 12 x # 8 x 1-1/8" Wood Screw
- 4 x #12 x 2" Pan Screw

Other Parts

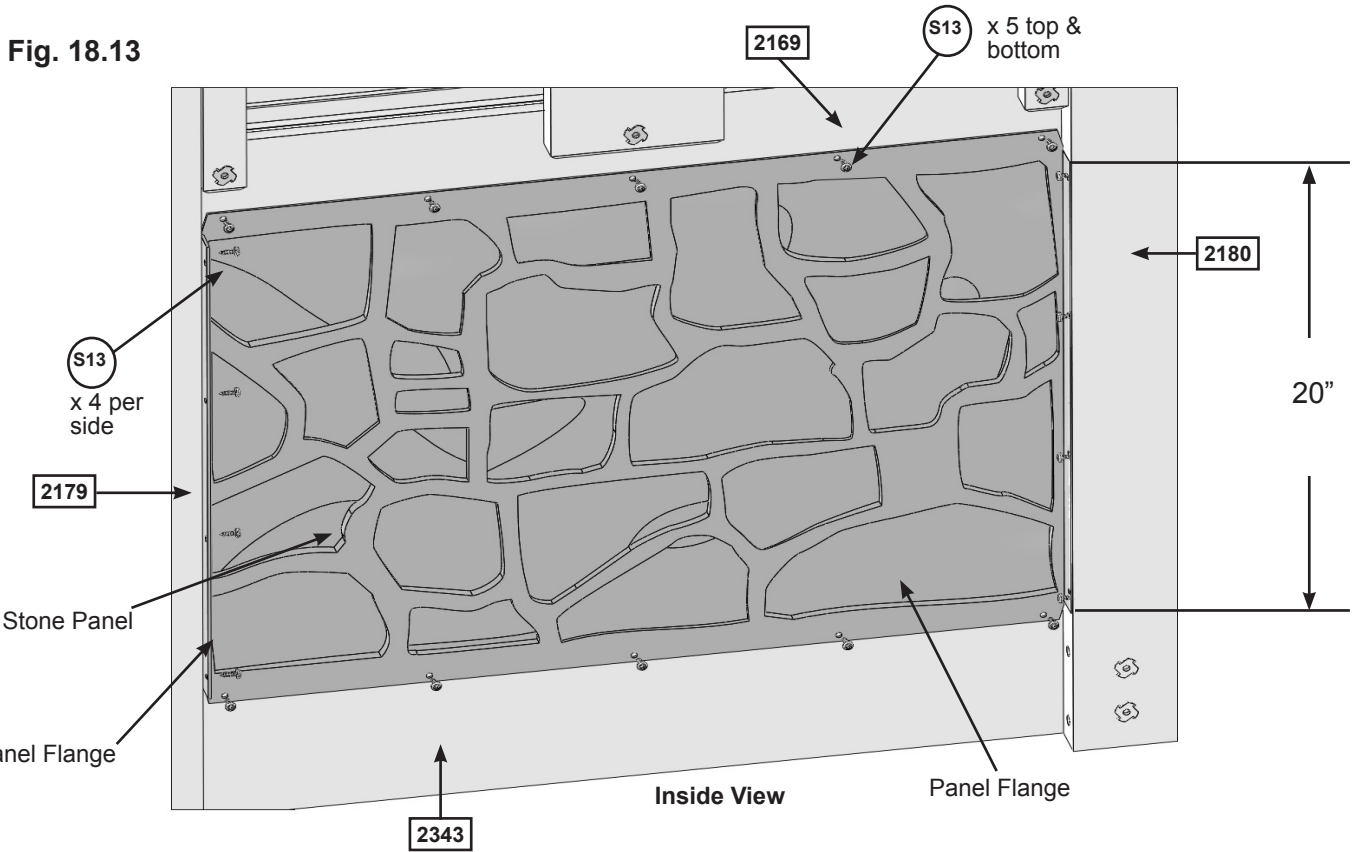
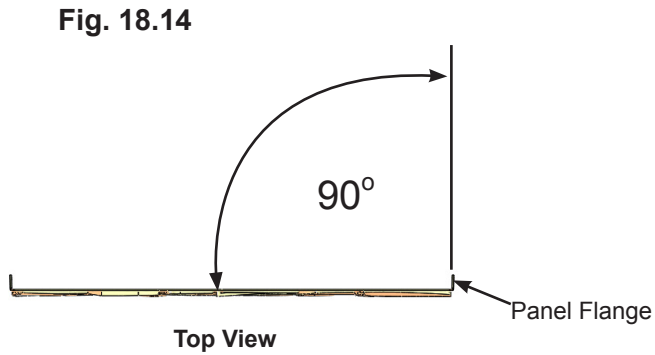
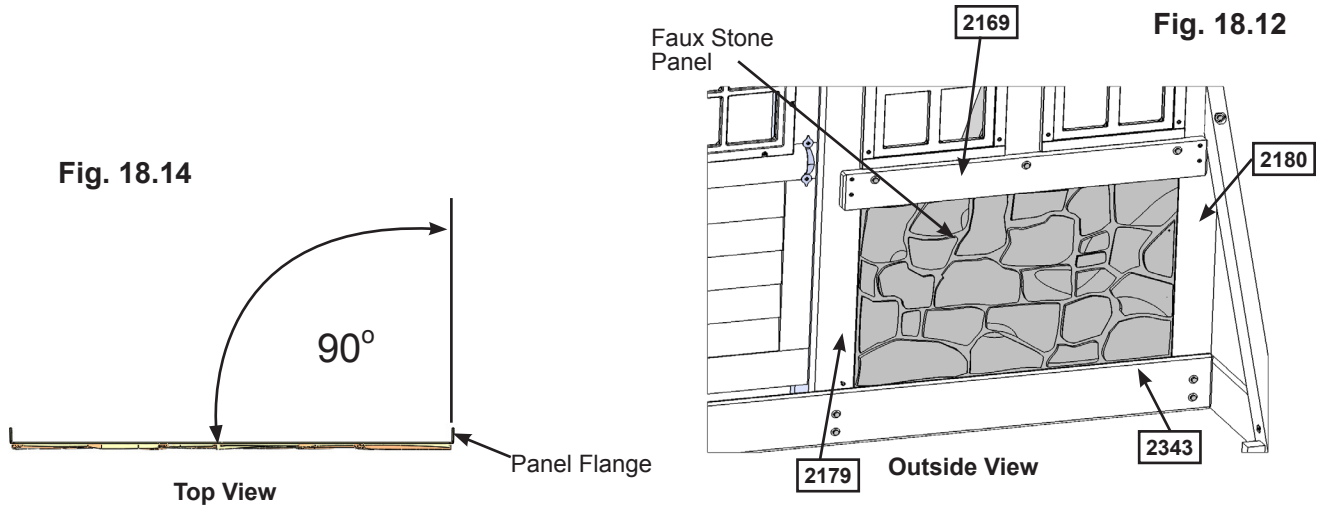
- 2 x 2x3 Panel Window

Step 18: Door Wall Assembly Part 6



L: Bend the short sides of the Faux Stone Panel flanges (measuring 20") to a 90° angle to ensure a good fit. (fig 18.13 and 18.14)

M: From the inside of the assembly, place Faux Stone Panel in opening between (2180) Post and (2179) Door Post, and tight against (2343) Ground Front and (2169) Window Bottom. Attach using 5 (S13) #6 x 5/8" Pan Screws per top and bottom, and 4 (S13) #6 x 5/8" Pan Screws per side. (fig 18.12 and 18.13)



Hardware

18 x (S13) #6 x 5/8" Pan Screw

Other Parts

1 x Faux Stone Panel

Step 19: Large Roof Support Assembly

Part 1

A: Attach 1 (2244) Large Support to 1 (2243) Large Support L at the peak using 1 (S4) #8 x 3" Wood Screw. Do this twice so you have 2 Large Roof Support Assemblies. (fig. 19.1 and 19.2)

B: To the inside of 1 Large Roof Support Assembly attach 1 Peak Detail with 8 (S8) #12 x 3/4" Pan Screws (with flat washer). (fig. 19.3)

Fig. 19.1

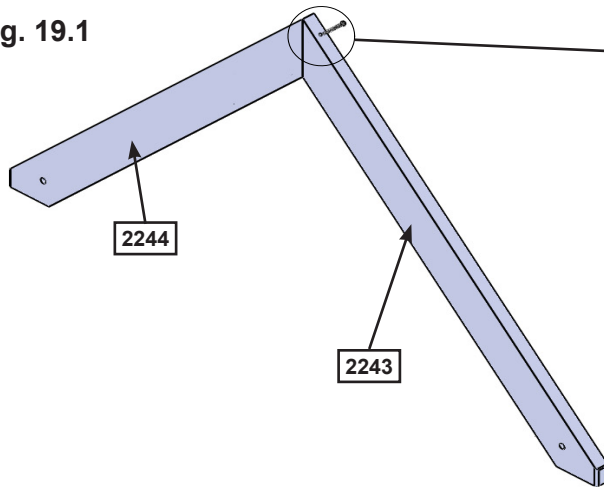


Fig. 19.2

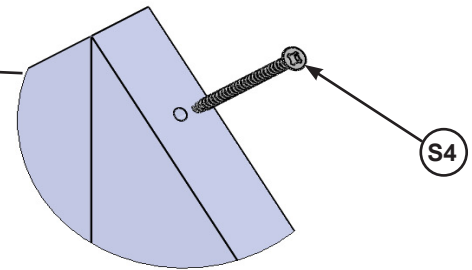
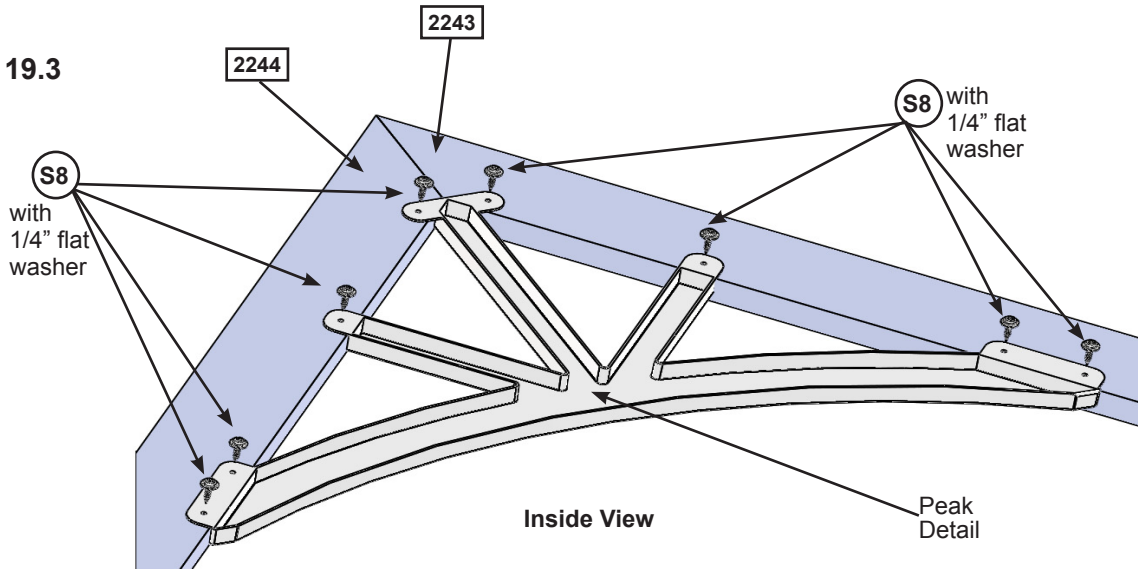


Fig. 19.3



Wood Parts

- 2 x 2244 Large Support 5/4 x 4 x 37-7/16"
- 2 x 2243 Large Support L 5/4 x 4 x 37-7/16"

Hardware

- 2 x S4 #8 x 3" Wood Screw
- 8 x S8 #12 x 3/4" Pan Screw (1/4" flat washer)

Other Parts

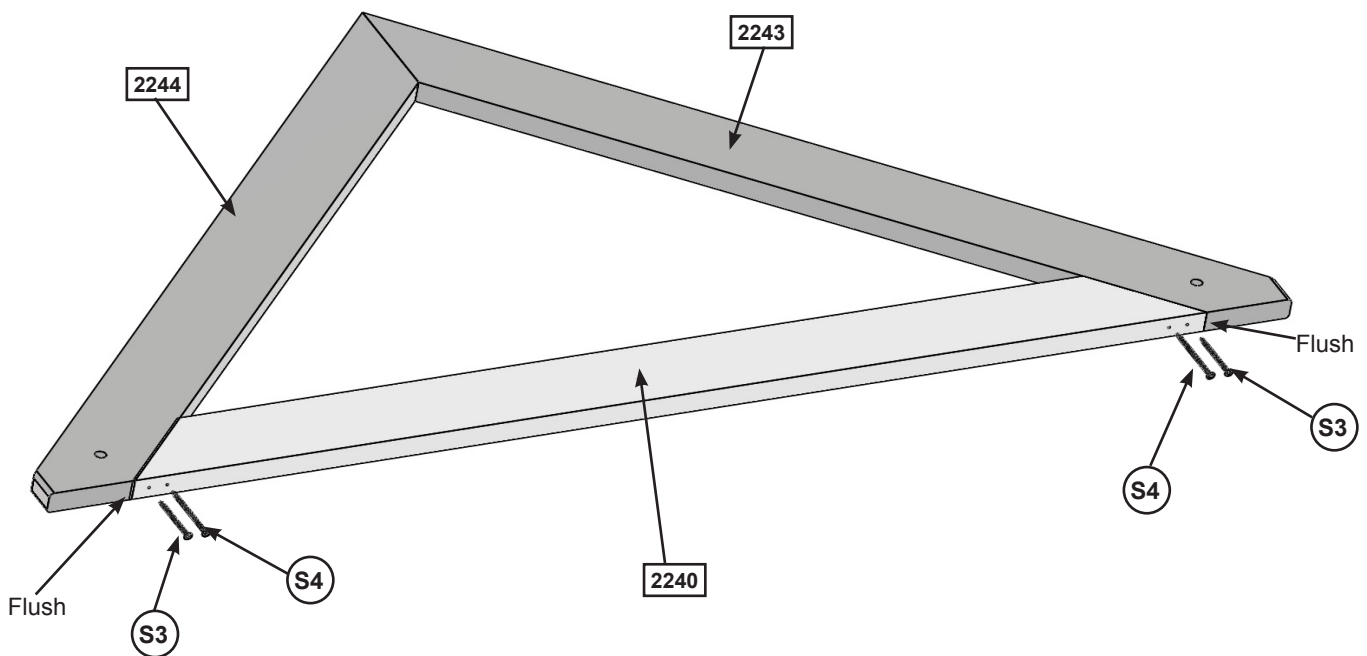
- 1 x Peak Detail

Step 19: Large Roof Support Assembly

Part 2

C: At the bottom of the remaining Large Roof Support Assembly place (2240) Gable Bottom flush to the bottom of (2244) Large Support and (2243) Large Support L and attach with 1 (S3) #8 x 2-1/2" Wood Screw and 1 (S4) #8 x 3" Wood Screw per side as shown in fig. 19.4.

Fig. 19.4



Wood Parts

1 x 2240 Gable Bottom 5/4 x 4 x 44-9/16"

Hardware

2 x S3 #8 x 2-1/2" Wood Screw

2 x S4 #8 x 3" Wood Screw

Step 19: Large Roof Support Assembly

Part 3



D: Place the assembly on a hard, flat surface, then place (2429) Starburst Centre centred and tight to the top of (2240) Gable Bottom. (fig. 19.5)

E: Measure 1-1/4" down from the top of (2240) Gable Bottom and place (2431) Sunburst A centred over (2429) Starburst Centre so the tip matches the peak of (2244) Large Support and (2243) Large Support L. (fig. 19.5)

F: Tight to the sides and flush to the bottom of (2431) Sunburst A place 1 (2432) Sunburst B on each side of (2431) Sunburst A. (fig. 19.5)

G: Tight to the sides of (2432) Sunburst B and flush to the bottom of (2431) Sunburst A place 1 (2433) Sunburst C on each side of (2432) Sunburst B. (fig. 19.5)

H: Attach boards to (2240) Gable Bottom, (2244) Large Support and (2243) Large Support L and (2429) Starburst Centre with 3 (S2) #8 x 1-1/2" Wood Screws per (2432) Sunburst B and (2433) Sunburst C and 6 (S2) #8 x 1-1/2" Wood Screws in (2431) Sunburst A. (fig. 19.6)

Fig. 19.5

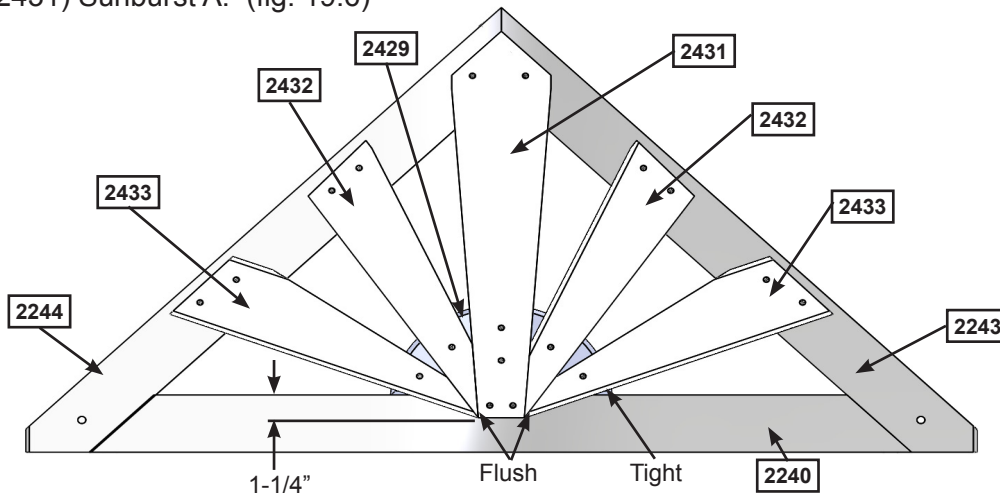
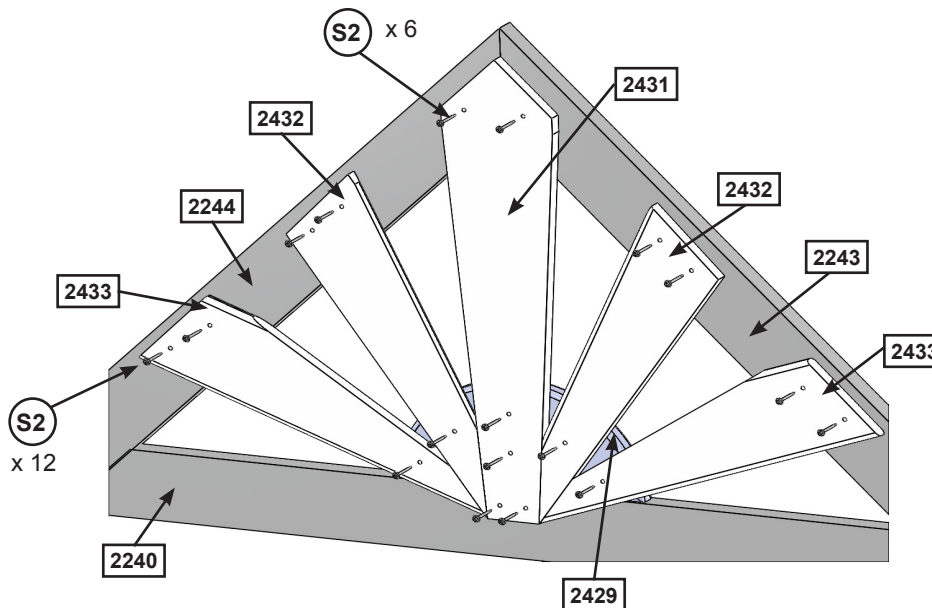


Fig. 19.6



Wood Parts

- 1 x 2431 Sunburst A 1 x 6 x 23-5/8"
- 2 x 2432 Sunburst B 1 x 5 x 17-7/16"
- 2 x 2433 Sunburst C 1 x 5 x 17-7/8"
- 1 x 2429 Starburst Centre 5/4 x 6 x 12"

Hardware

- 18 x S2 #8 x 1-1/2" Wood Screw

Step 20: Small Roof Support Assembly

A: Attach 1 (2242) Roof Support to 1 (2241) Roof Support L at the peak using 1 (S4) #8 x 3" Wood Screw. This will create 1 Small Roof Support Assembly. (fig. 20.1)

B: To the inside of the Small Roof Support Assembly attach 1 Peak Detail with 8 (S8) #12 x 3/4" Pan Screws (with flat washer). (fig. 20.2)

Fig. 20.1

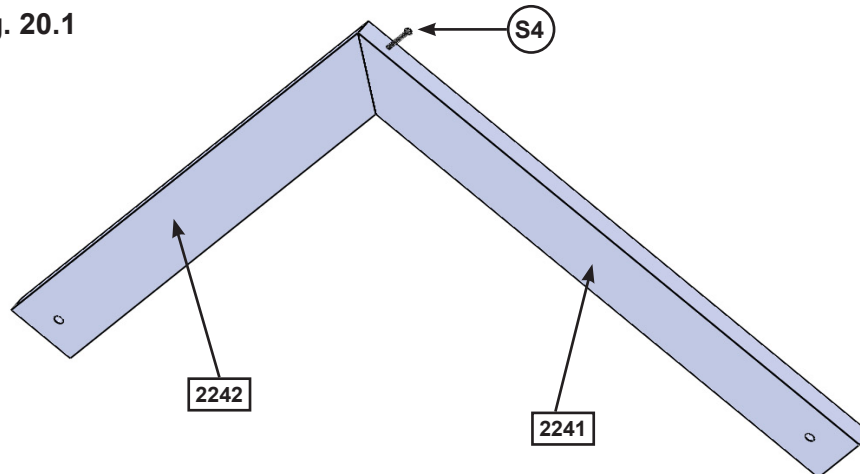
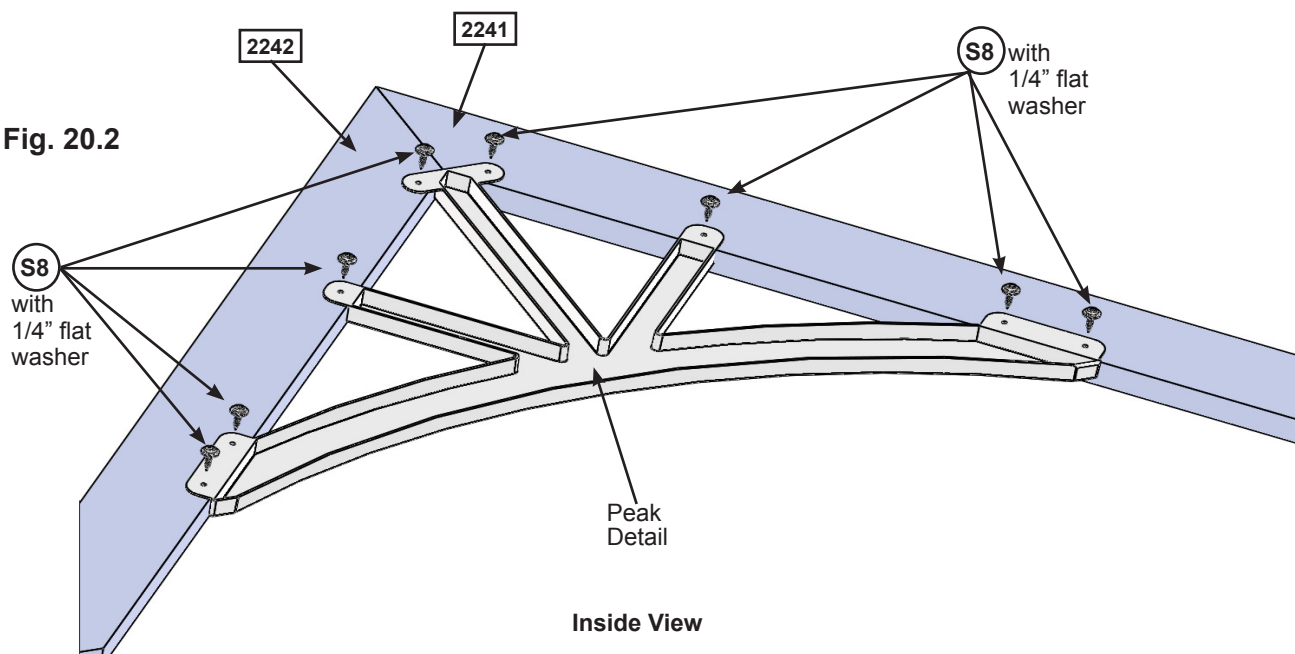


Fig. 20.2



Wood Parts

- 1 x 2242 Roof Support 5/4 x 4 x 29-3/4"
- 1 x 2241 Roof Support L 5/4 x 4 x 29-3/4"

Hardware

- 1 x S4 #8 x 3" Wood Screw
- 8 x S8 #12 x 3/4" Pan Screw (1/4" flat washer)

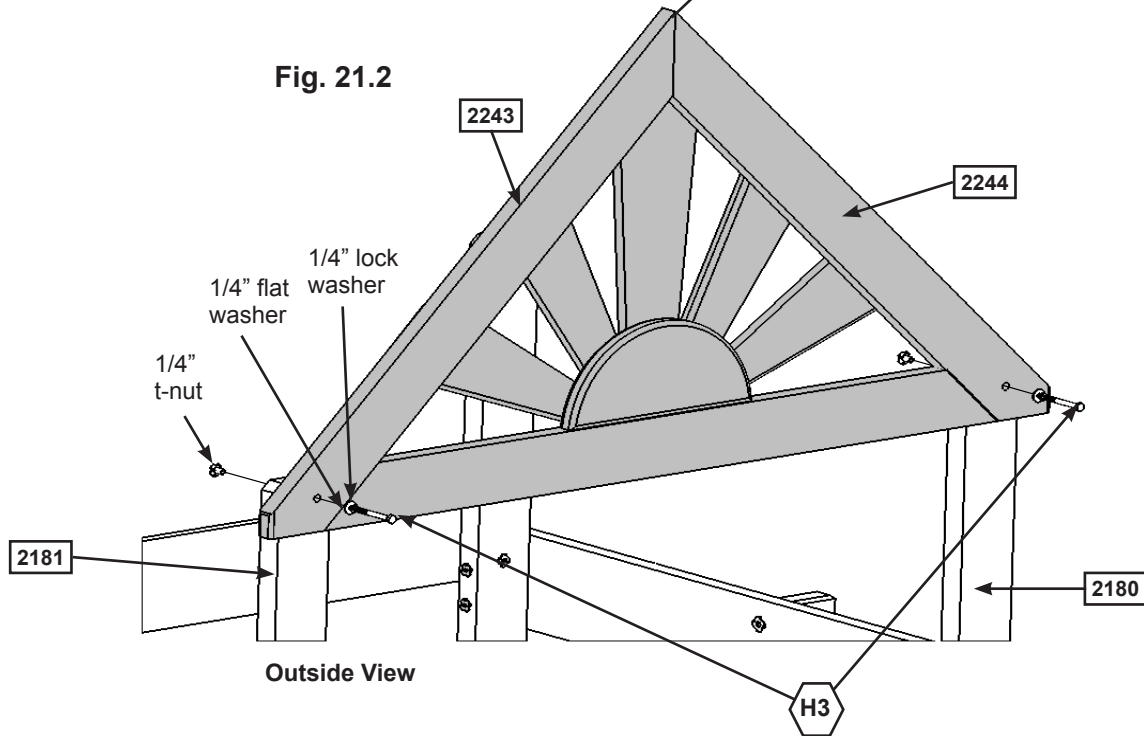
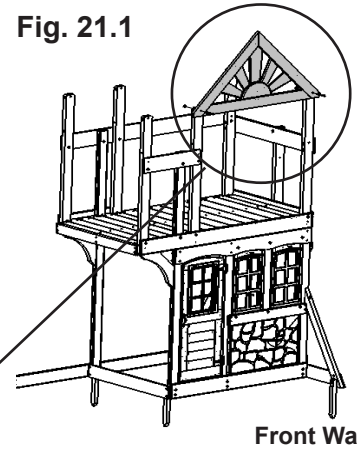
Other Parts

- 1 x Peak Detail

Step 21: Upper Front Wall Assembly Part 1



A: On the Front Wall attach Large Roof Support Assembly with Sunburst detail to (2180) Post and (2181) Short Post with 2 (H3) 1/4 x 2-1/2" Hex Bolts (with lock washer, flat washer and t-nut), as shown in fig. 21.1 and 21.2.



Hardware

2 x  1/4 x 2-1/2" Hex Bolt
(1/4" lock washer, 1/4" flat washer, 1/4" t-nut)

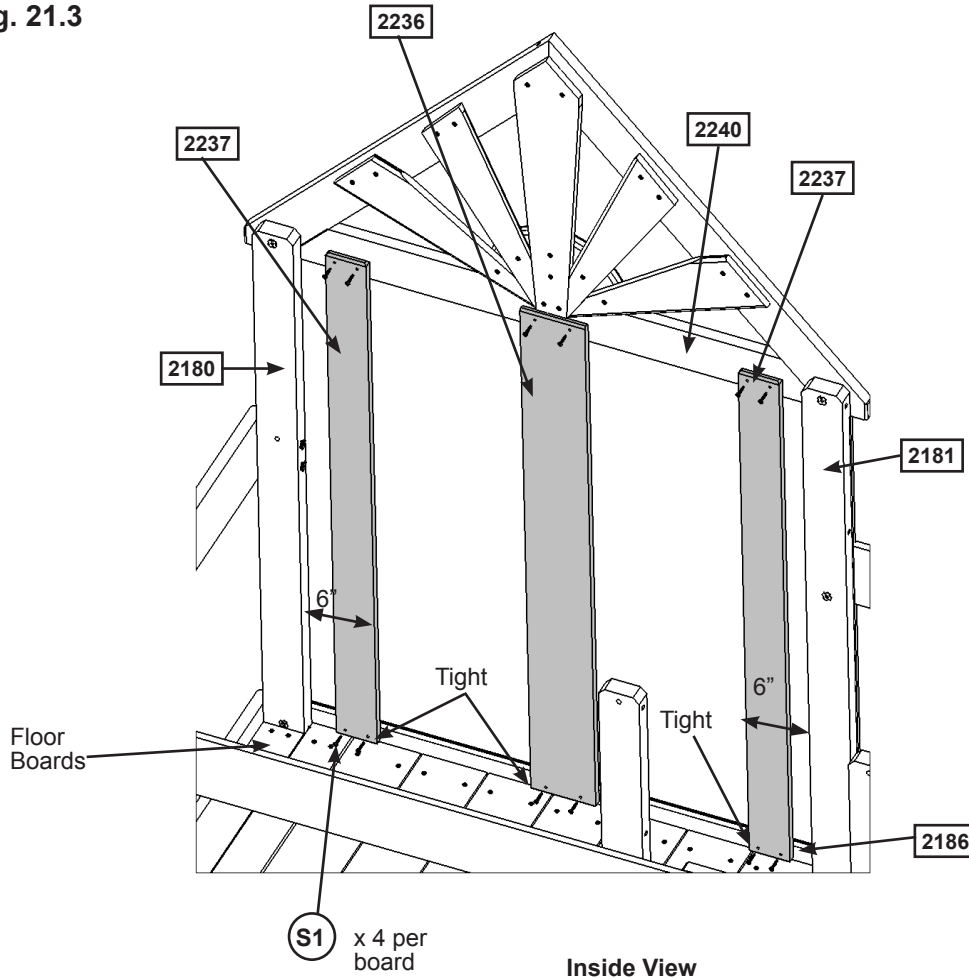
Step 21: Upper Front Wall Assembly Part 2



B: On the inside of the assembly measure 6" from (2181) Short Post and (2180) Post then attach 2 (2237) Back Walls at each pre-measured spot to (2240) Gable Bottom and (2186) Back Front Wall with 4 (S1) #8 x 1-1/8" Wood Screws per board. The bottom of the boards should be tight to the floor boards. (fig. 21.3)

C: Centre (2236) Back Wall between both (2237) Back Walls then attach to (2240) Gable Bottom and (2186) Back Front Wall with 4 (S1) #8 x 1-1/8" Wood Screws. The bottom of the board should be tight to the floor boards. (fig. 21.3)

Fig. 21.3



Wood Parts

- 2 x 2237 Back Wall 1 x 4 x 44-7/8"
- 1 x 2236 Back Wall 1 x 6 x 44-7/8"

Hardware

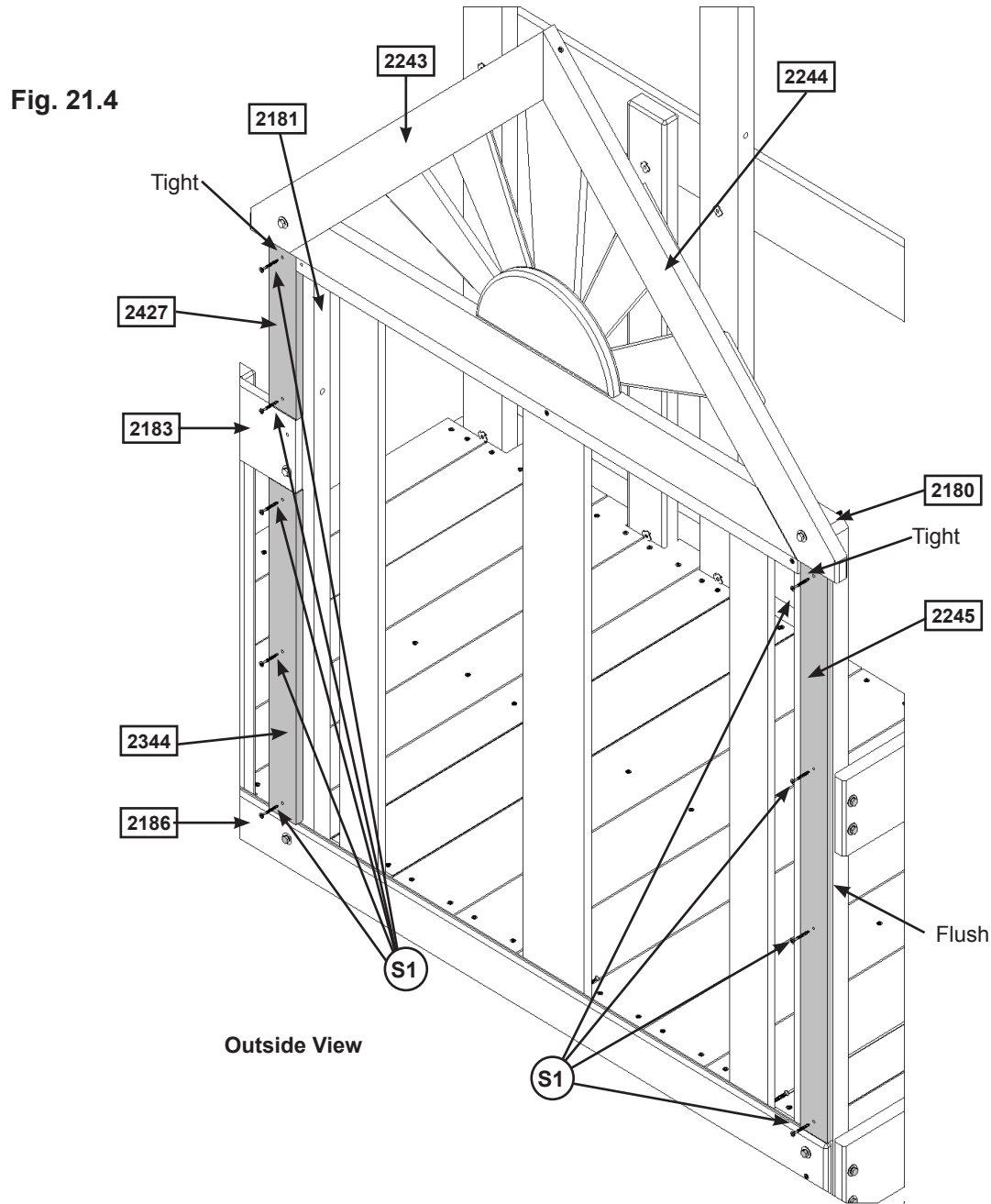
- 12 x S1 #8 x 1-1/8" Wood Screw

Step 21: Upper Front Wall Assembly Part 3

D: On the outside of the assembly attach (2245) Long Trim flush to the outside edge of (2180) Post with 4 (S1) #8 x 1-1/8" Wood Screws. The bottom of the board should be tight to (2186) Back Front Wall. (fig. 21.4)

E: Between (2183) Front Rail and (2186) Back Front Wall attach (2344) Mid Trim flush to outside edge of (2181) Short Post with 3 (S1) #8 x 1-1/8" Wood Screws. (fig. 21.4)

F: Between (2183) Front Rail and (2243) Large Support L attach (2427) Short Trim flush to outside edge of (2181) Short Post with 2 (S1) #8 x 1-1/8" Wood Screws. (fig. 21.4)



Wood Parts

- 1 x **2245** Long Trim 1 x 3 x 41-9/16"
- 1 x **2344** Mid Trim 1 x 3 x 24-1/4"
- 1 x **2427** Short Trim 1 x 3 x 12-1/16"

Hardware

- 9 x **(S1)** #8 x 1-1/8" Wood Screw

Step 21: Upper Front Wall Assembly Part 4



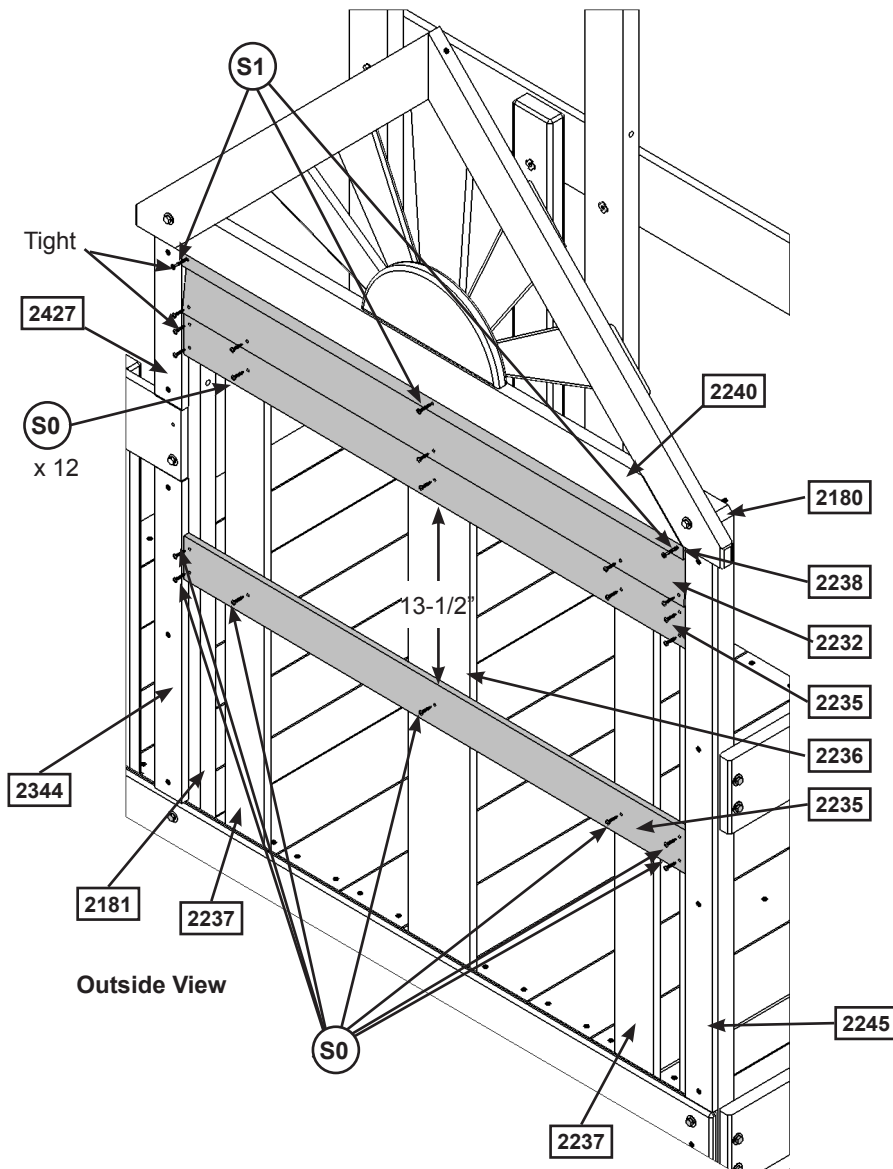
G: Tight to the bottom of (2240) Gable Bottom attach (2238) Filler to (2180) Post, (2236) Back Wall and (2181) Short Post with 3 (S1) #8 x 1-1/8" Wood Screws. (fig. 21.5)

H: Tight to the bottom of (2238) Filler attach 1 (2232) Siding to (2180) Post, both (2237) Back Walls, (2236) Back Wall and (2181) Short Post with 5 (S0) #8 x 7/8" Truss Screws. (fig. 21.5)

I: Tight to the bottom of (2232) Siding attach 1 (2235) Wall to (2180) Post, both (2237) Back Walls, (2236) Back Wall and (2181) Short Post with 7 (S0) #8 x 7/8" Truss Screws. (fig. 21.5)

J: Measure 13-1/2" from the bottom of (2235) Wall and attach a second (2235) Wall to (2180) Post, both (2237) Back Walls, (2236) Back Wall and (2181) Short Post with 7 (S0) #8 x 7/8" Truss Screws. (fig. 21.5)

Fig. 21.5



Wood Parts

- 1 x (2238) Filler 1 x 2 x 44"
- 2 x (2235) Wall 1/2 x 4 x 44"
- 1 x (2232) Siding 3/8 x 3-1/2 x 44"

Hardware

- 3 x (S1) #8 x 1-1/8" Wood Screw
- 19 x (S0) #8 x 7/8" Truss Screw

Step 21: Upper Front Wall Assembly

Part 5

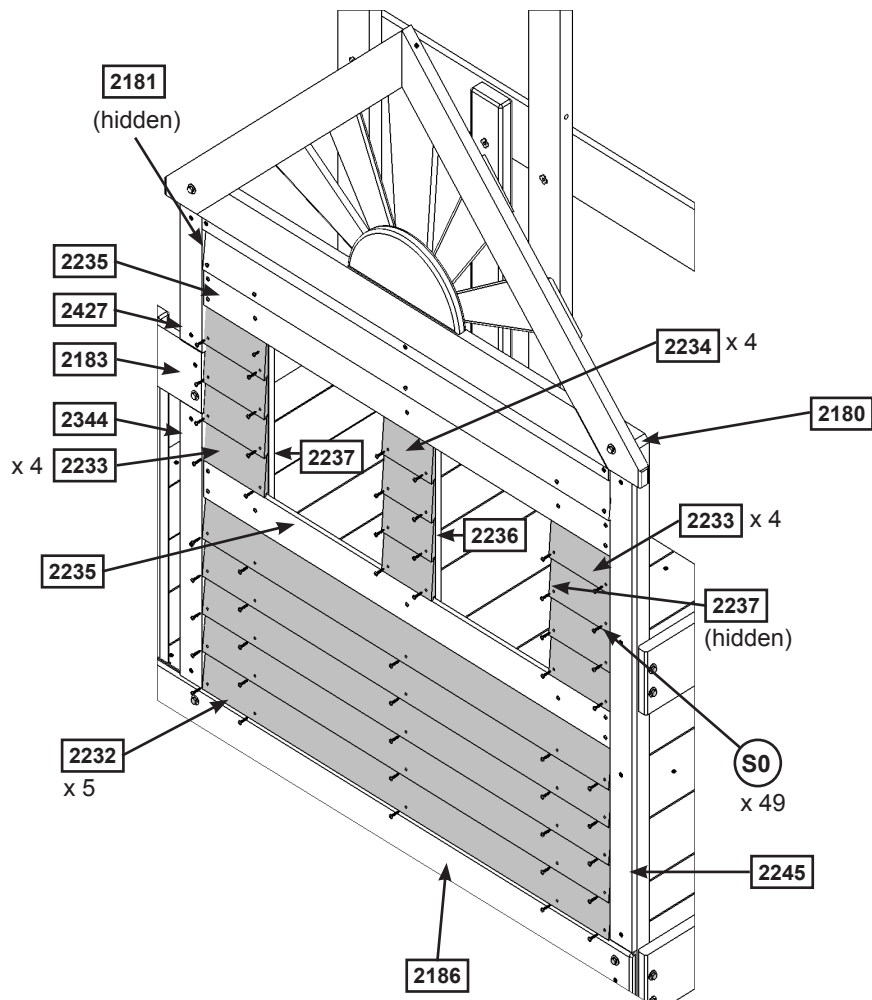
K: Evenly space 4 (2233) L&R Siding between both (2235) Walls, tight to (2245) Long Trim and flush to the outside edges of (2237) Back Wall, making sure there are no gaps between boards. Attach to (2180) Post and (2237) Back Wall with 2 (S0) #8 x 7/8" Truss Screws per board. (fig. 21.6)

L: Evenly space 4 (2233) L&R Siding between both (2235) Walls, tight to (2427) Short Trim and (2183) Front Rail and flush to the outside edges of (2237) Back Wall, making sure there are no gaps between boards. Attach to (2181) Short Post and (2237) Back Wall with 2 (S0) #8 x 7/8" Truss Screws per board. (fig. 21.6)

M: Evenly space 4 (2234) Mid Siding between both (2235) Walls, flush to the outside edges of (2236) Back Wall, making sure there are no gaps between boards. Attach to (2236) Back Wall with 2 (S0) #8 x 7/8" Truss Screws per board. (fig. 21.6)

N: Evenly space 5 (2232) Siding between (2235) Wall and (2186) Back Front Wall, tight to (2245) Long Trim and (2344) Mid Trim, making sure there are no gaps between boards. Attach to (2181) Short Post and (2237) Back Walls, (2236) Back Wall and (2180) Post with 5 (S0) #8 x 7/8" Truss Screws per board. (fig. 21.6)

Fig. 21.6
Outside View



Wood Parts

- 5 x 2232 Siding 3/8 x 3-1/2 x 44"
- 8 x 2233 L&R Siding 3/8 x 3-1/2 x 6-5/8"
- 4 x 2234 Mid Siding 3/8 x 3-1/2 x 5-3/8"

Hardware

- 49 x S0 #8 x 7/8" Truss Screw

Step 21: Upper Front Wall Assembly Part 6

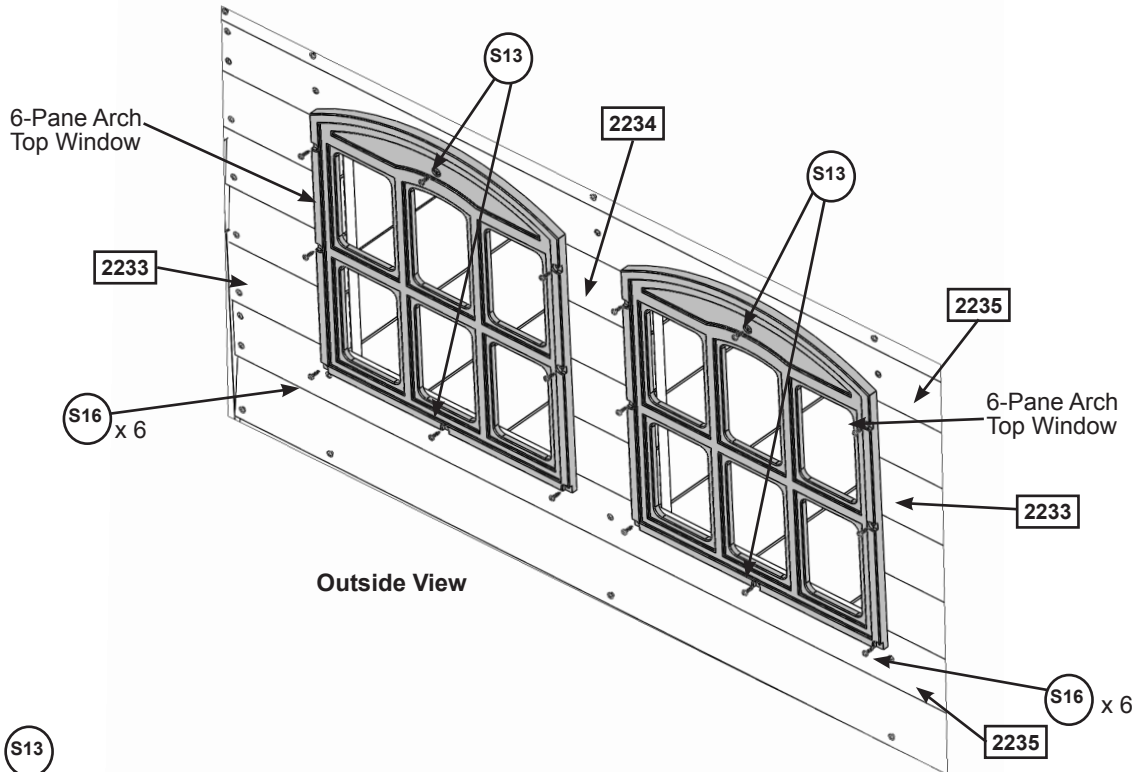


O: On the outside of the assembly place 2 6-Pane Arch Top Windows in the window gaps, pre-drill with a 1/8" drill bit then attach to bottom (2235) Wall, (2233) L&R Siding and (2234) Mid Siding with 6 (S16) #6 x 1" Pan Screws per window. (fig. 21.7)

P: Pre-drill with a 1/8" drill bit then attach 6-Pane Arch Top Windows to both (2235) Walls in the centre holes with 2 (S13) #6 x 5/8" Pan Screws per window. (fig. 21.7)

Q: Place 1 Flower Box under each window and attach to (2135) Wall with 2 (S13) #6 x 5/8" Pan Screws per Flower Box. (fig. 21.8 and 21.9)

Fig. 21.7



Outside View

Fig. 21.8

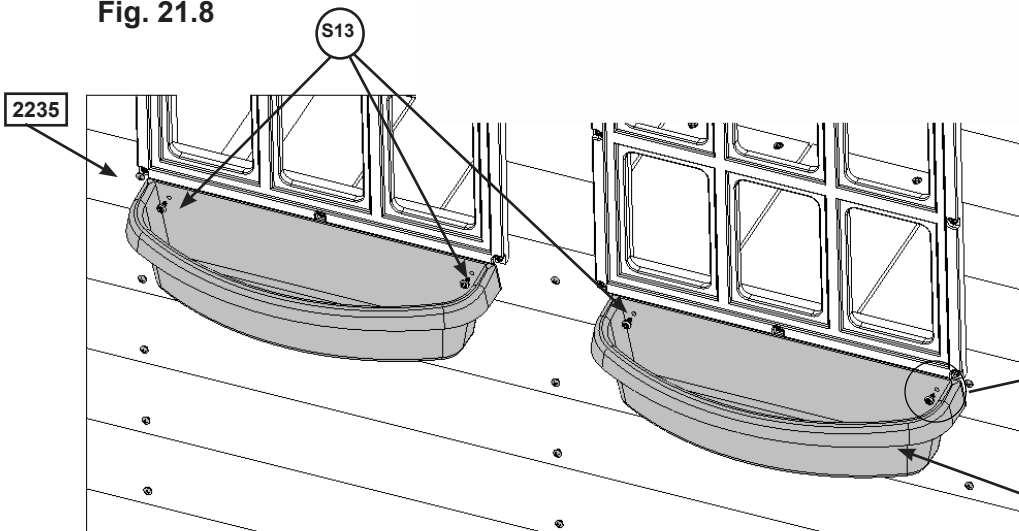
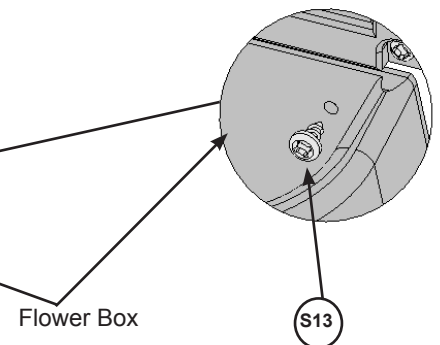


Fig. 21.9



Hardware

- 8 x (S13) #6 x 5/8" Pan Screw
- 12 x (S16) #6 x 1" Pan Screw

Other Parts

- 2 x 6-Pane Arch Top Window
- 2 x Flower Box

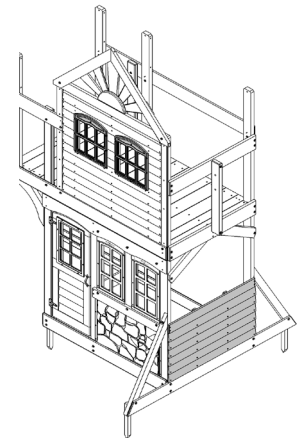
Step 22: Lower Swing Wall Assembly Part 1

A: Tight to top of (2184) SW Ground and flush to the outside edges of both (2180) Posts attach 1 (2193) Siding to both (2180) Posts with 2 (S0) #8 x 7/8" Truss Screws, as shown in fig. 22.1 and 22.2.

B: Install 5 more (2193) Siding directly above the first, attaching to both (2180) Posts, making sure there are no gaps between boards, with 2 (S0) #8 x 7/8" Truss Screws per board. (fig. 22.2)

C: Tight to the top of the last (2193) Siding attach (2190) Wall Board to both (2180) Posts with 4 (S1) #8 x 1-1/8" Wood Screws. (fig. 22.3)

Fig. 22.1



Swing Wall

Fig. 22.2

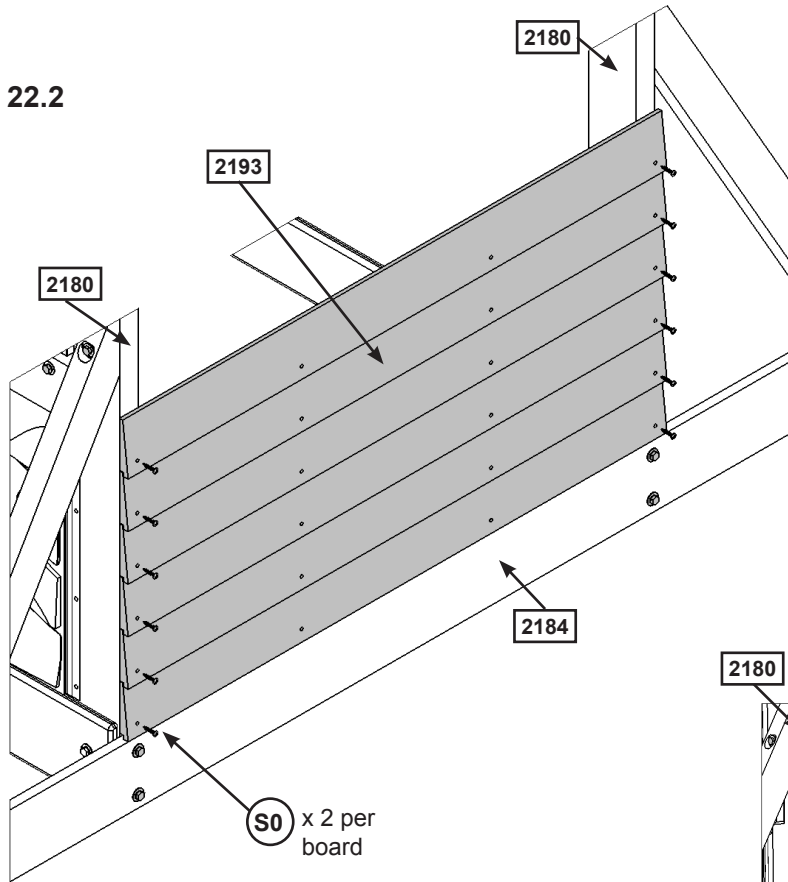
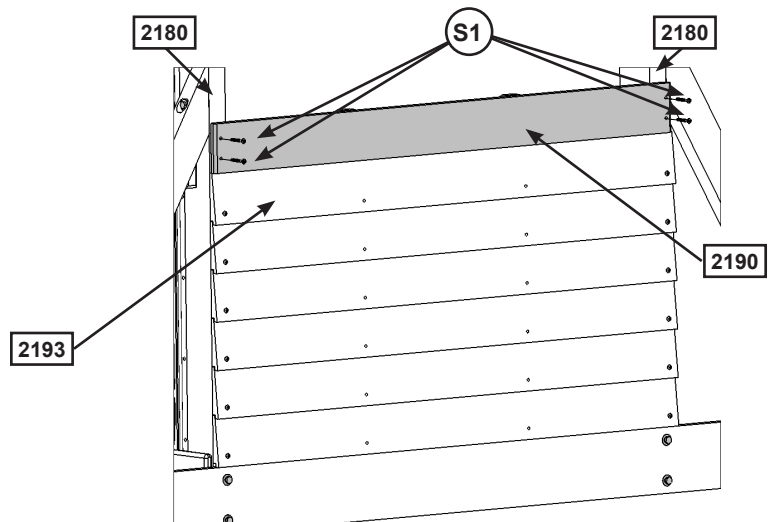


Fig. 22.3



Wood Parts

- 6 x [2193] Siding 3/8 x 3-1/2 x 38-1/2"
- 1 x [2190] Wall Board 1 x 4 x 38-1/2"

Hardware

- 12 x (S0) #8 x 7/8" Truss Screw
- 4 x (S1) #8 x 1-1/8" Wood Screw

Step 22: Lower Swing Wall Assembly Part 2

D: From inside the assembly place 2 (2195) Siding Uprights over the pilot holes of the (2193) Siding and flush to the top of (2190) Wall Board. Attach to (2190) Wall Board and (2184) SW Ground with 2 (S2) #8 x 1-1/2" Wood Screws per board. (fig. 22.4)

E: From outside of the assembly attach (2193) Siding to (2195) Siding Uprights with 2 (S0) #8 x 7/8" Truss Screws per siding. (fig. 22.4 and 22.5)

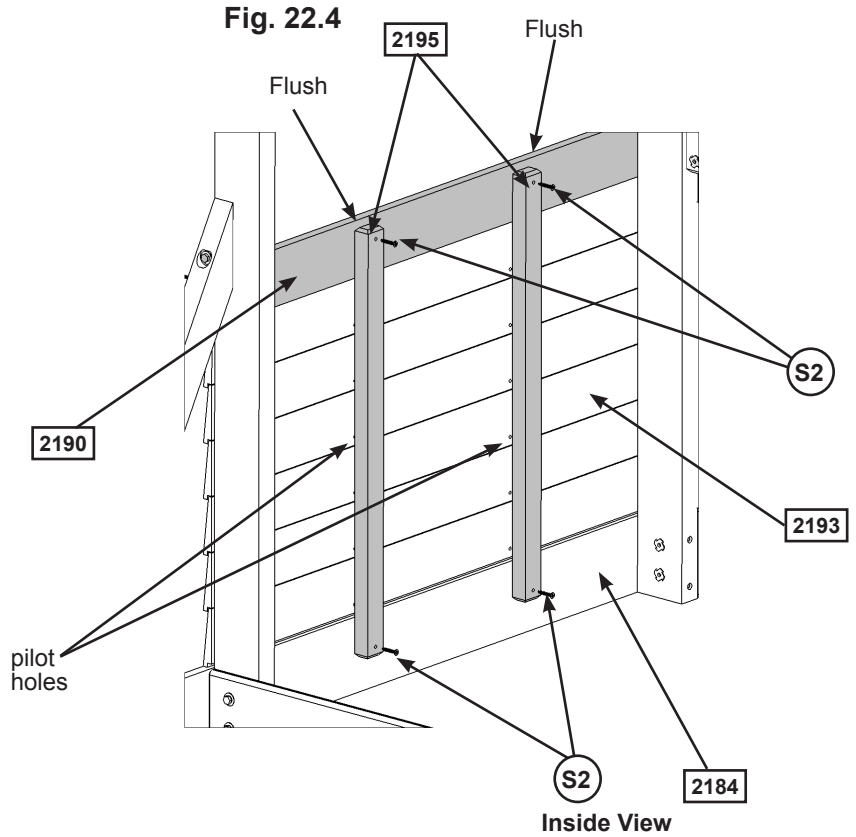
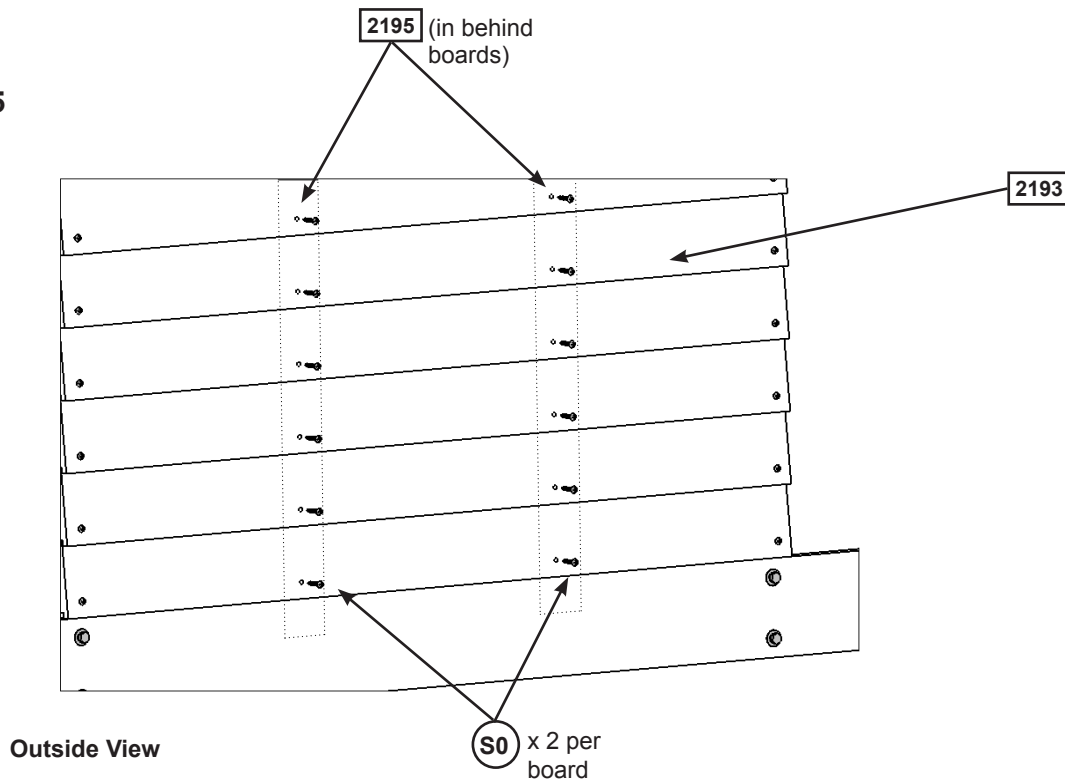


Fig. 22.5



Wood Parts

2 x 2195 Siding Upright 5/4 x 2 x 25-1/4"

Hardware

4 x S2 #8 x 1-1/2" Wood Screw

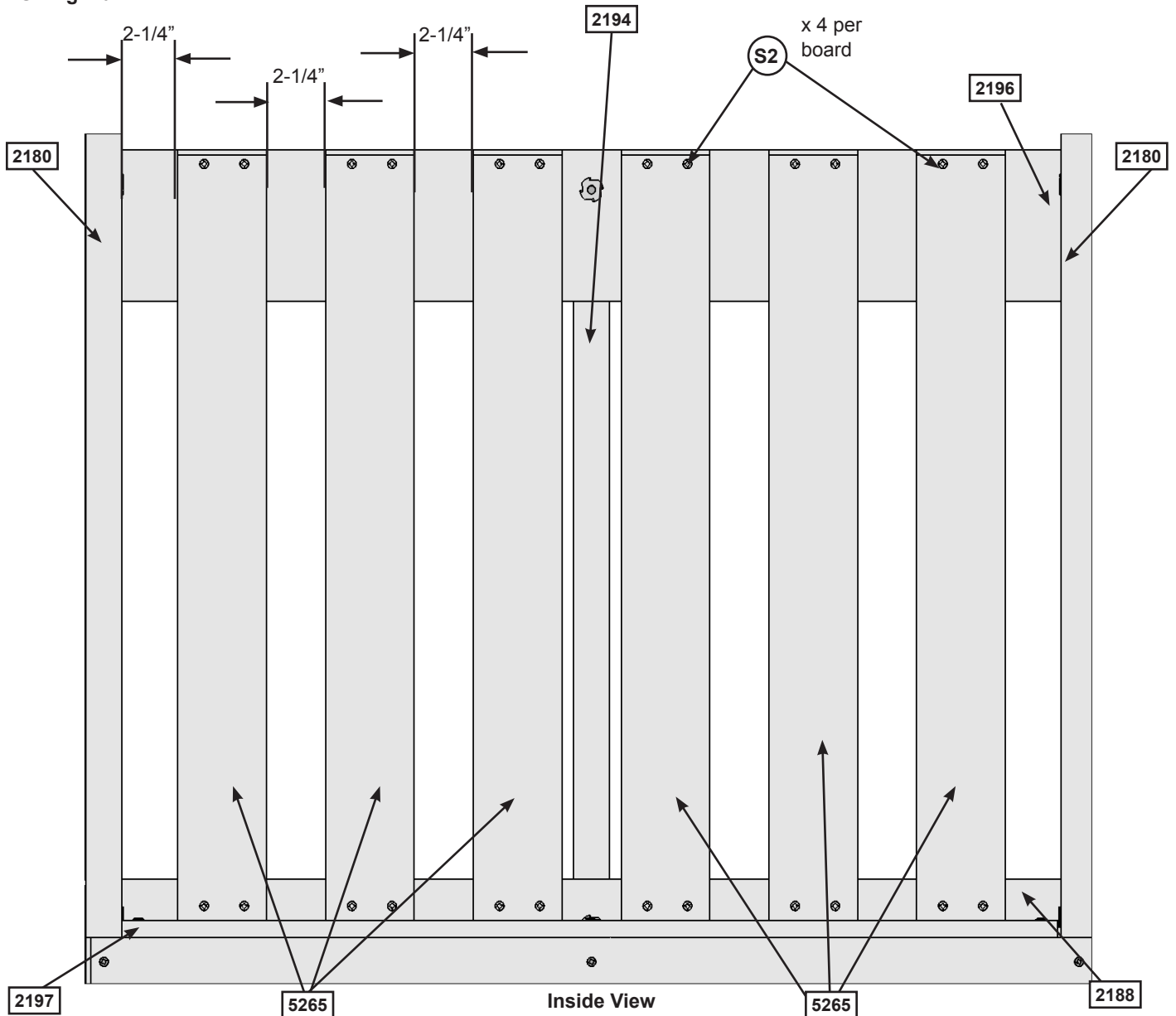
12 x S0 #8 x 7/8" Truss Screw

Step 23: Upper Swing Wall Assembly



A: In between both (2180) Posts on Swing Wall side attach 6 (5265) Cedar Walls to (2188) SW End and (2196) SW Top using 4 (S2) #8 x 1-1/2" Wood Screws per board. Make sure the bottom of the boards are tight against (2197) Floor Board. Evenly space boards as shown below. Spacing must be 2-1/4" in between all boards. (fig. 23.1)

Fig. 23.1
Swing Wall



Wood Parts

6 x 5265 Cedar Wall 1 x 4 x 28"

Hardware

24 x S2 #8 x 1-1/2" Wood Screw

Step 24: Attach Access Ladder/Rockwall Assembly to Fort Part 1



Pre-drill all holes using a 3/16" drill bit before installing the Lag Screws

A: Remove (0705) Cedar Wall from the Access Ladder Rockwall, previously assembled in Step 2. Set the board and screws aside, they will be re-attached. (fig. 24.2 and 24.3)

B: Place the Access Ladder Rockwall centred in between (2181) Short Post and (2180) Post on the Back Wall, flush to top of floor boards, then attach to (2164) Floor Support with 1 (LS1) 1/4 x 1-1/2" Lag Screw (with flat washer) in each Swing Bracket. (fig. 24.1, 24.2 and 24.3).

C: Re-attach (0705) Cedar Wall to the same place it was removed.

Fig. 24.2

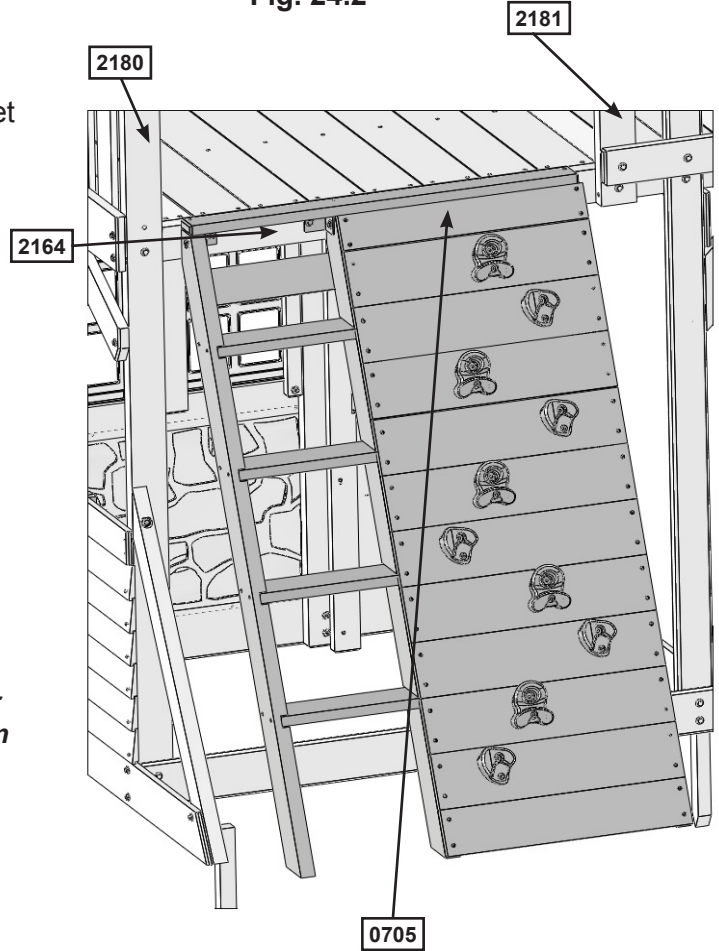
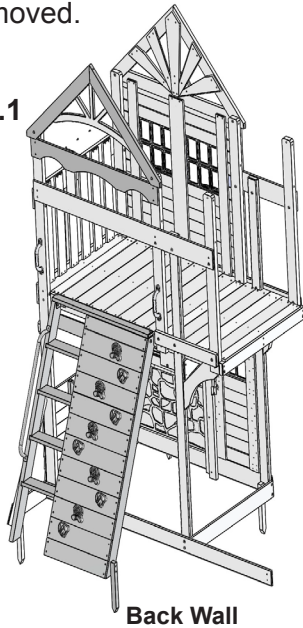
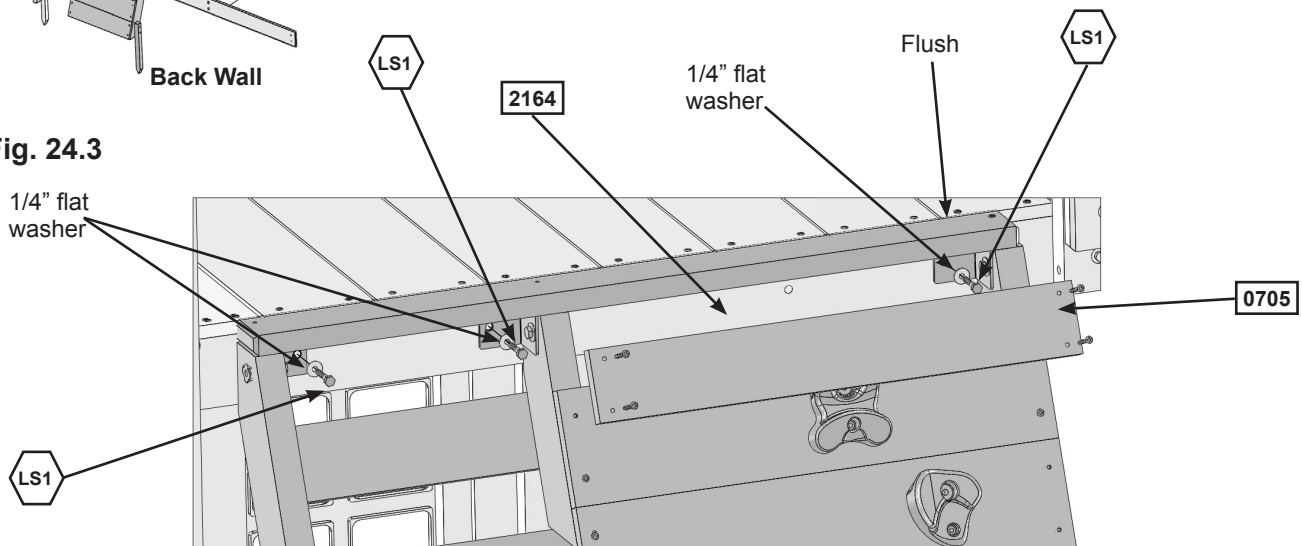


Fig. 24.1



Note: Access Ladder Rockwall is centred in opening

Fig. 24.3



Hardware

3 x 1/4 x 1-1/2" Lag Screw (1/4" flat washer)

Step 24: Attach Access Ladder/Rockwall Assembly to Fort Part 2



D: Drive 1 (0318) Ground Stake 10-1/2" into the ground at (2252) Rock Rail, as shown in fig. 24.4. Attach using 2 (S3) #8 x 2-1/2" Wood Screws. (fig. 24.4 and 24.5)

⚠️WARNING: To prevent tipping and avoid potential injury, stakes must be driven 10-1/2" into ground. Digging or driving stakes can be dangerous if you do not check first for underground wiring, cables or gas lines.

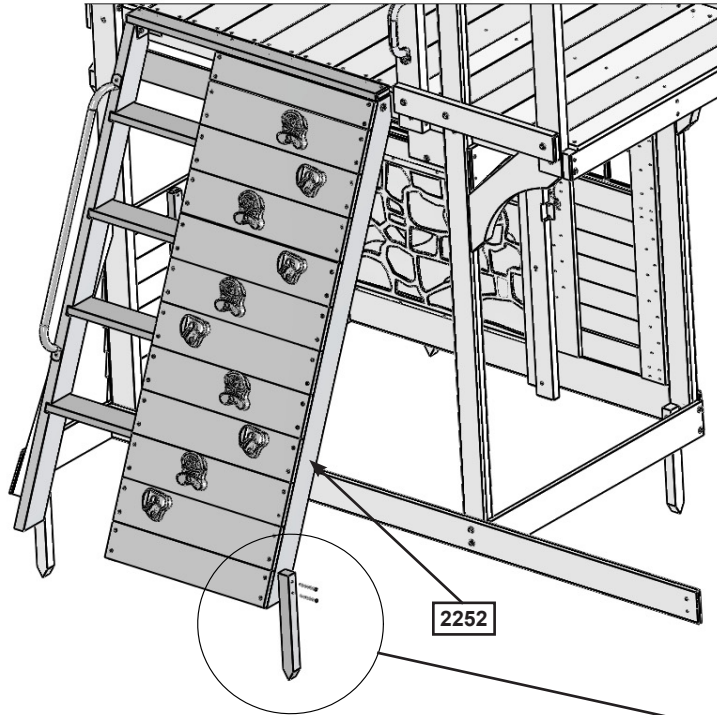


Fig. 24.4

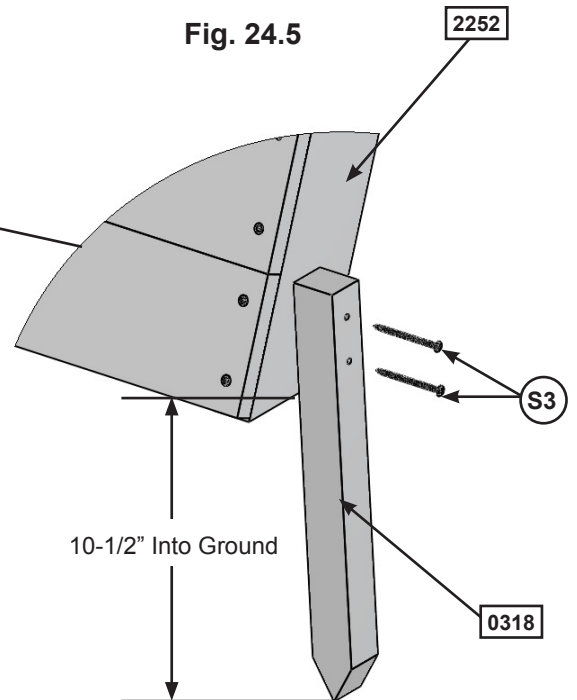


Fig. 24.5

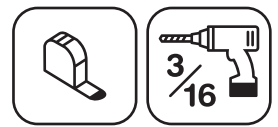
Wood Parts

1 x 0318 Ground Stake 1-1/4 x 1-1/2 x 14"

Hardware

2 x S3 #8 x 2-1/2" Wood Screw

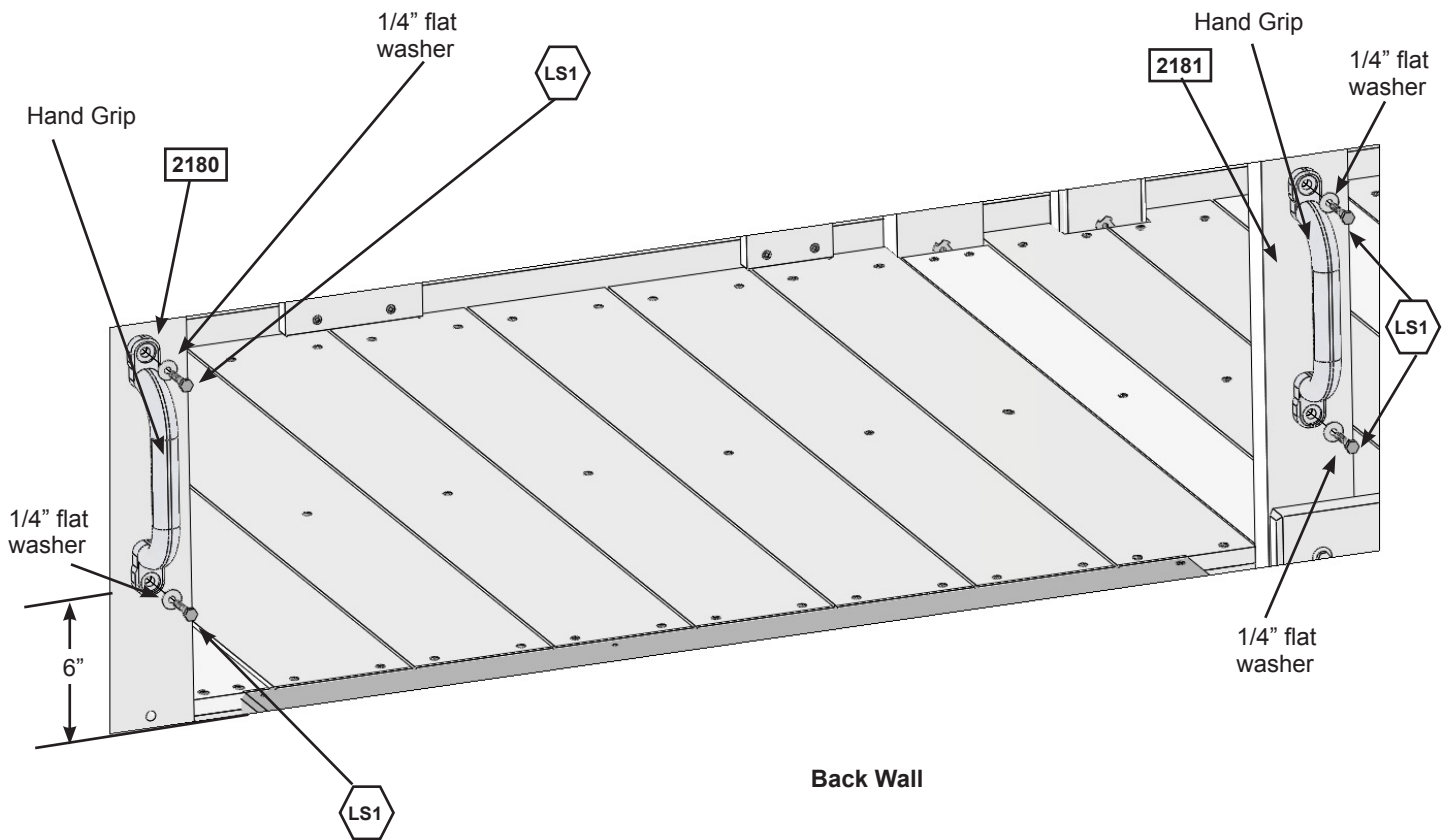
Step 25: Attach Hand Grips to Fort




Pre-drill all holes using a 3/16" drill bit before installing the Lag Screws

A: Measure 6" up from the floor boards on both (2181) Short Post and (2180) Post then attach 1 Hand Grip per post with 2 (LS1) 1/4 x 1-1/2" Lag Screws (with flat washer) per Hand Grip. (fig. 25.1)

Fig. 25.1



Hardware

4 x  1/4 x 1-1/2" Lag Screw (1/4" flat washer)

Other Parts

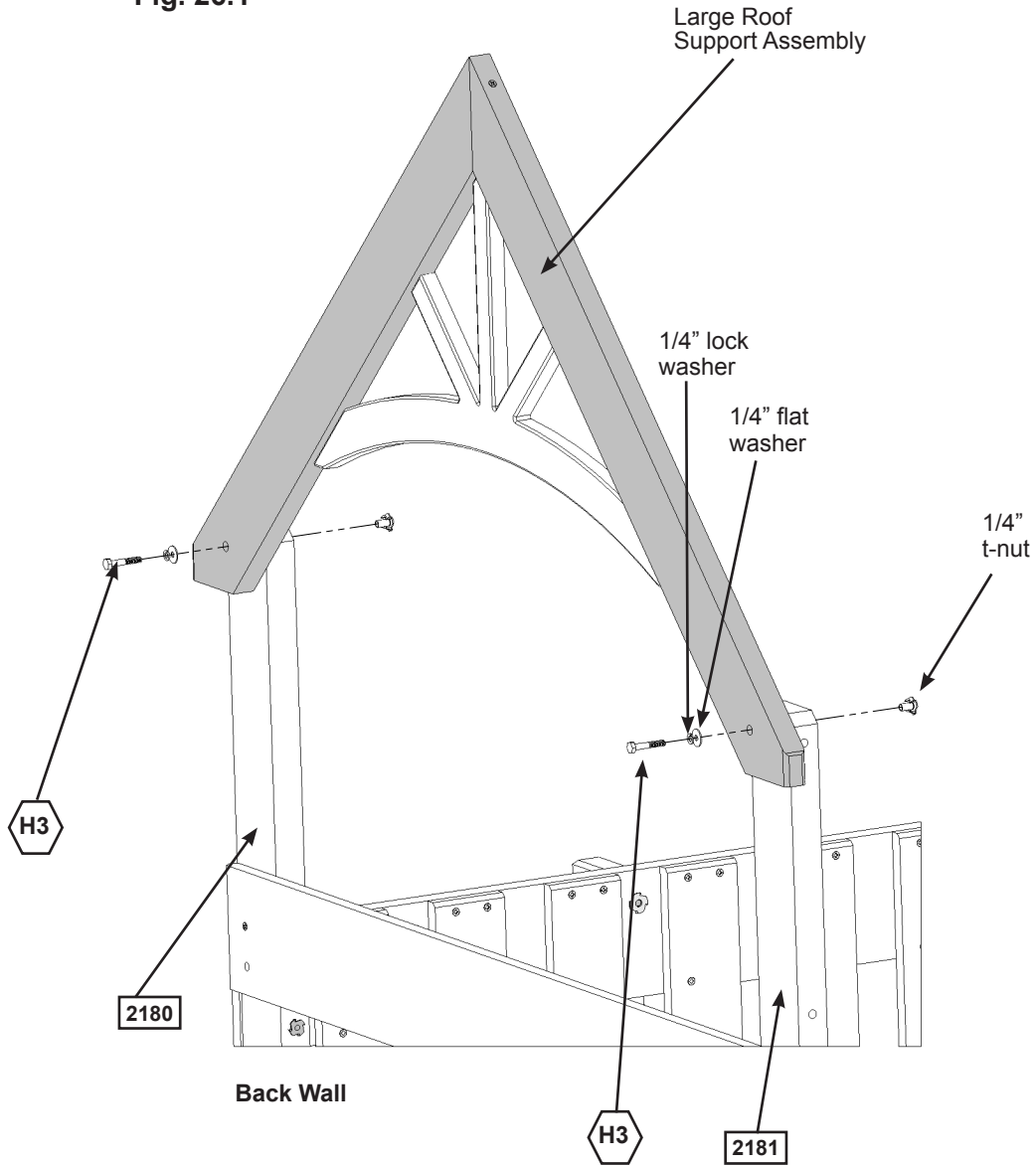
2 x Hand Grips

Step 26: Upper Back Wall Assembly Part 1



A: On the Back Wall attach the Large Roof Support Assembly with Peak Detail to (2180) Post and (2181) Short Post with 2 (H3) 1/4 x 2-1/2" Hex Bolts (with lock washer, flat washer and t-nut), as shown in fig. 26.1.

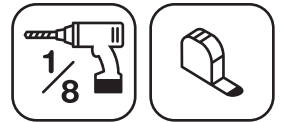
Fig. 26.1



Hardware

2 x  1/4 x 2-1/2" Hex Bolt
(1/4" lock washer, 1/4" flat washer, 1/4" t-nut)

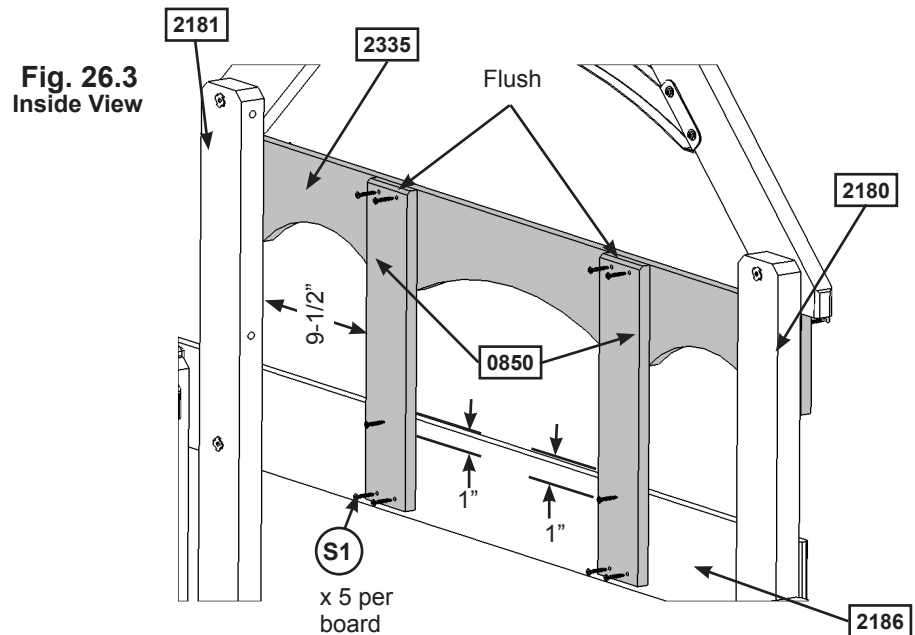
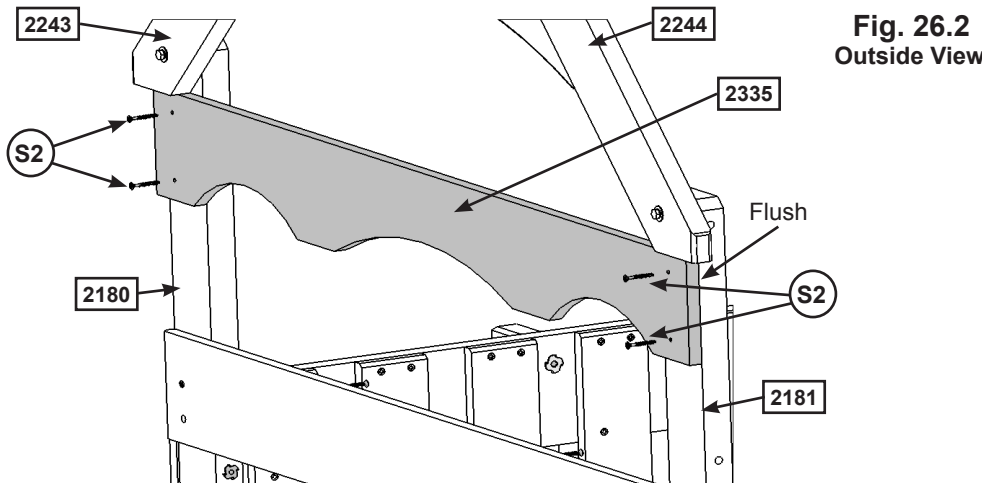
Step 26: Upper Back Wall Assembly Part 2



B: Tight to the bottom of (2243) Large Support L and (2244) Large Support and flush to the outside edges of (2180) Post and (2181) Short Post attach (2335) Back Arch to (2180) Post and (2181) Short Post with 4 (S2) #8 x 1-1/2" Wood Screws. (fig. 26.2)

C: Measure 9-1/2" from both (2180) Post and (2181) Short Post, then place 1 (0850) CE Wall Board at each marked out location, each flush to the top of (2335) Back Arch and attach to (2335) Back Arch and (2186) Back Front Wall with 4 (S1) #8 x 1-1/8" Wood Screws per board. (fig. 26.3)

D: Measure 1" down from the top of (2186) Back Front Wall, pre-drill with a 1/8" drill bit then attach each (0850) CE Wall Board to (2186) Back Front Wall with 1 (S1) #8 x 1-1/8" Wood Screw per board. (fig. 26.3)



Wood Parts

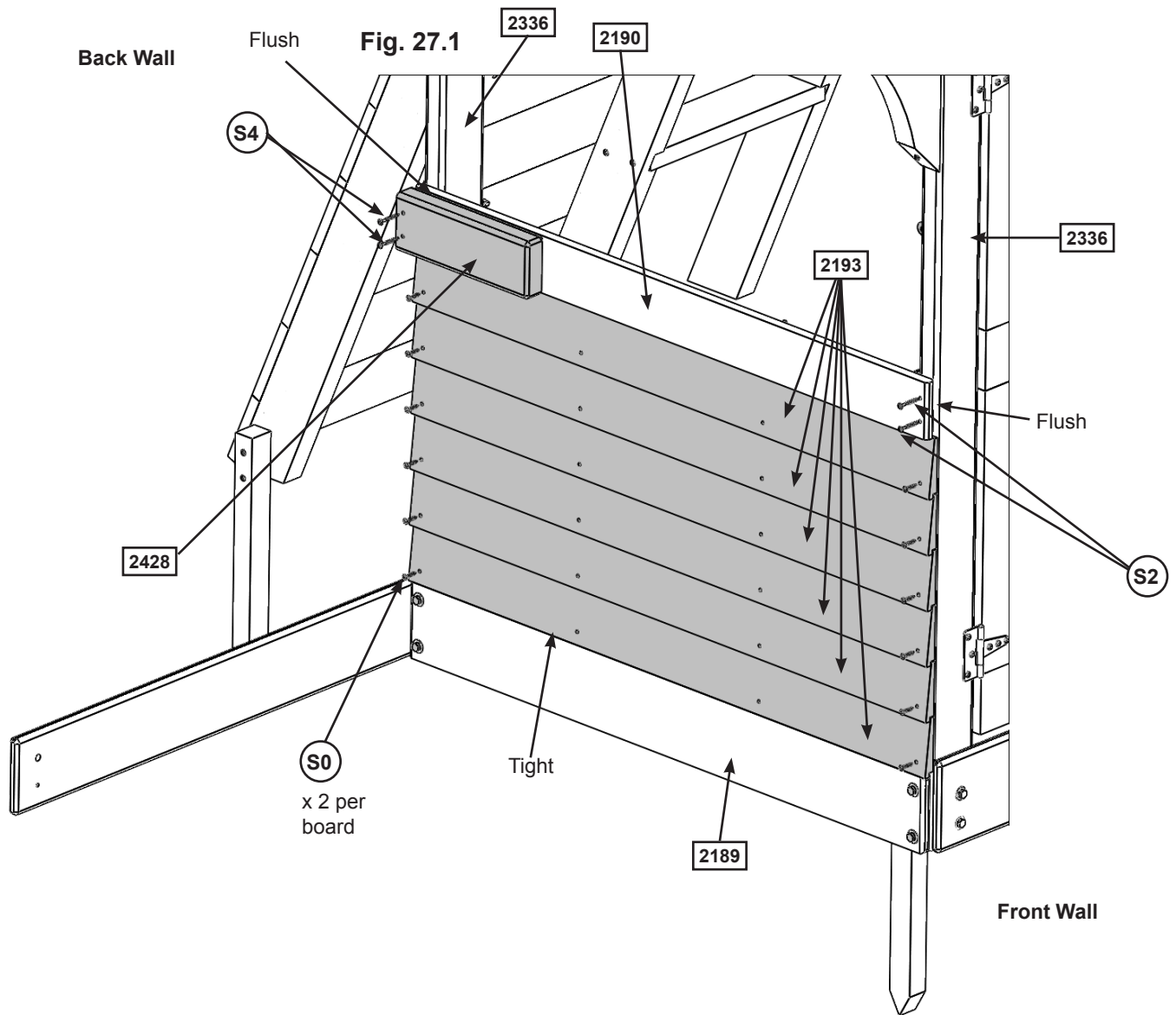
- 1 x 2335 Back Arch 1 x 5 x 48-7/8"
- 2 x 0850 CE Wall Board 1 x 4 x 17"

Hardware

- 4 x S2 #8 x 1-1/2" Wood Screw
- 10 x S1 #8 x 1-1/8" Wood Screw

Step 27: Lower Slide Wall Assembly Part 1

- A:** Tight to top of (2189) SL Ground and flush to the outside edges of both (2336) Centre Posts attach (2193) Siding to both (2336) Centre Posts with 2 (S0) #8 x 7/8" Truss Screws as shown in fig. 27.1.
- B:** Install 5 more (2193) Siding directly above the first, attaching to both (2336) Centre Posts, making sure there are no gaps between boards, with 2 (S0) #8 x 7/8" Truss Screws per board. (fig. 27.1)
- C:** Tight to the top of the last (2193) Siding attach (2190) Wall Board to the (2336) Centre Post with 2 (S2) #8 x 1-1/2" Wood Screws. (fig. 27.1)
- D:** Place (2428) SL Block flush to the outside edge and top of (2190) Wall Board on the Back Wall side and attach with 2 (S4) #8 x 3" Wood Screws. Screws go through (2190) Wall Board. (fig. 27.1)



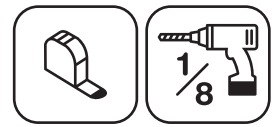
Wood Parts

- 6 x (2193) Siding 3/8 x 3-1/2 x 38-1/2"
- 1 x (2190) Wall Board 1 x 4 x 38-1/2"
- 1 x (2428) SL Block 2 x 4 x 10"

Hardware

- 12 x (S0) #8 x 7/8" Truss Screw
- 2 x (S2) #8 x 1-1/2" Wood Screw
- 2 x (S4) #8 x 3" Wood Screw

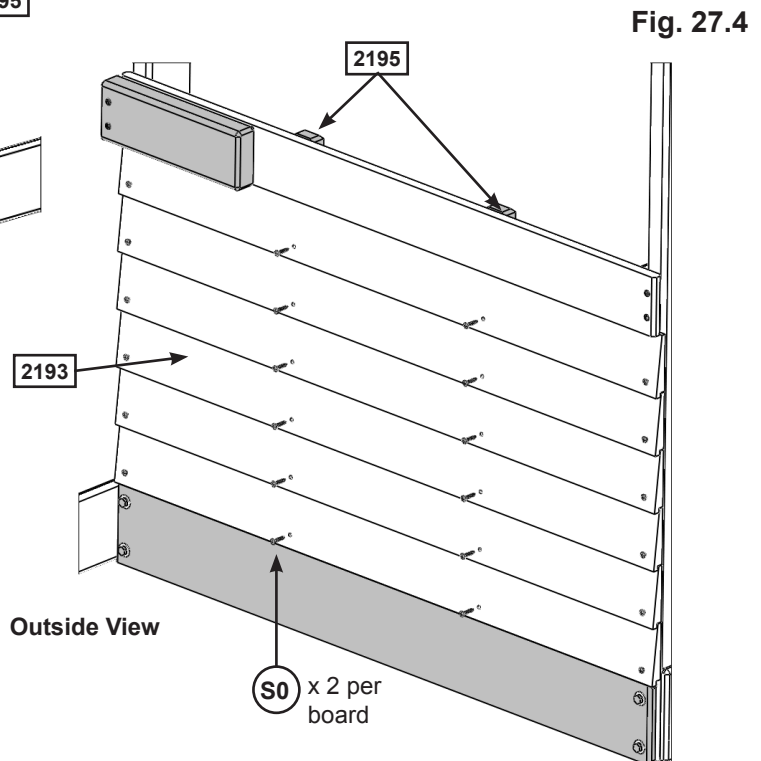
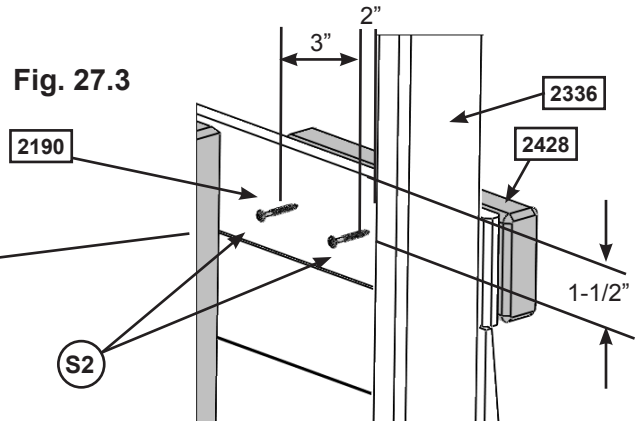
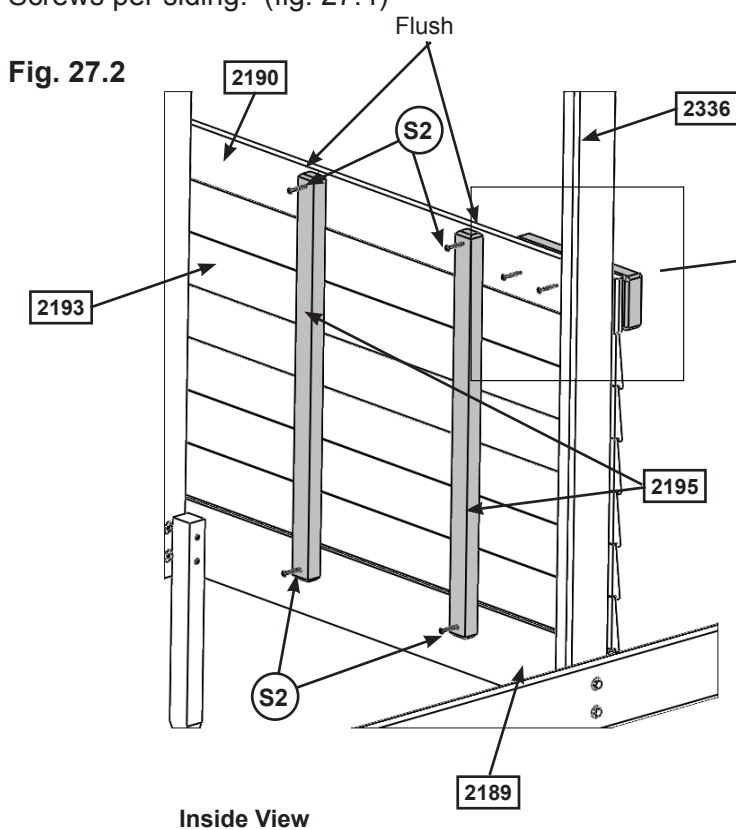
Step 27: Lower Slide Wall Assembly Part 2



E: From inside the assembly measure 2" in from (2336) Centre Post, 1-1/2" down from top of (2190) Wall Board then pre-drill with a 1/8" drill bit into (2190) Wall Board and (2428) SL Block. Install 1 (S2) #8 x 1-1/2" Wood Screw. Measure 3" from the first screw, pre-drill with a 1/8" drill bit then install a second (S2) #8 x 1-1/2" Wood Screw. (fig. 27.2 and 27.3)

F: From inside the assembly place 2 (2195) Siding Uprights over the pilot holes of the (2193) Siding and flush to the top of (2190) Wall Board. Attach to (2190) Wall Board and (2189) SL Ground with 2 (S2) #8 x 1-1/2" Wood Screws per board. (fig. 27.2)

G: From outside of the assembly attach (2193) Siding to (2195) Siding Uprights with 2 (S0) #8 x 7/8" Truss Screws per siding. (fig. 27.4)



Wood Parts

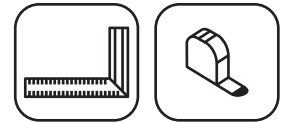
2 x [2195] Siding Upright 5/4 x 2 x 25-1/4"

Hardware

6 x (S2) #8 x 1-1/2" Wood Screw

12 x (S0) #8 x 7/8" Truss Screw

Step 28: Crowsnest Assembly Part 1

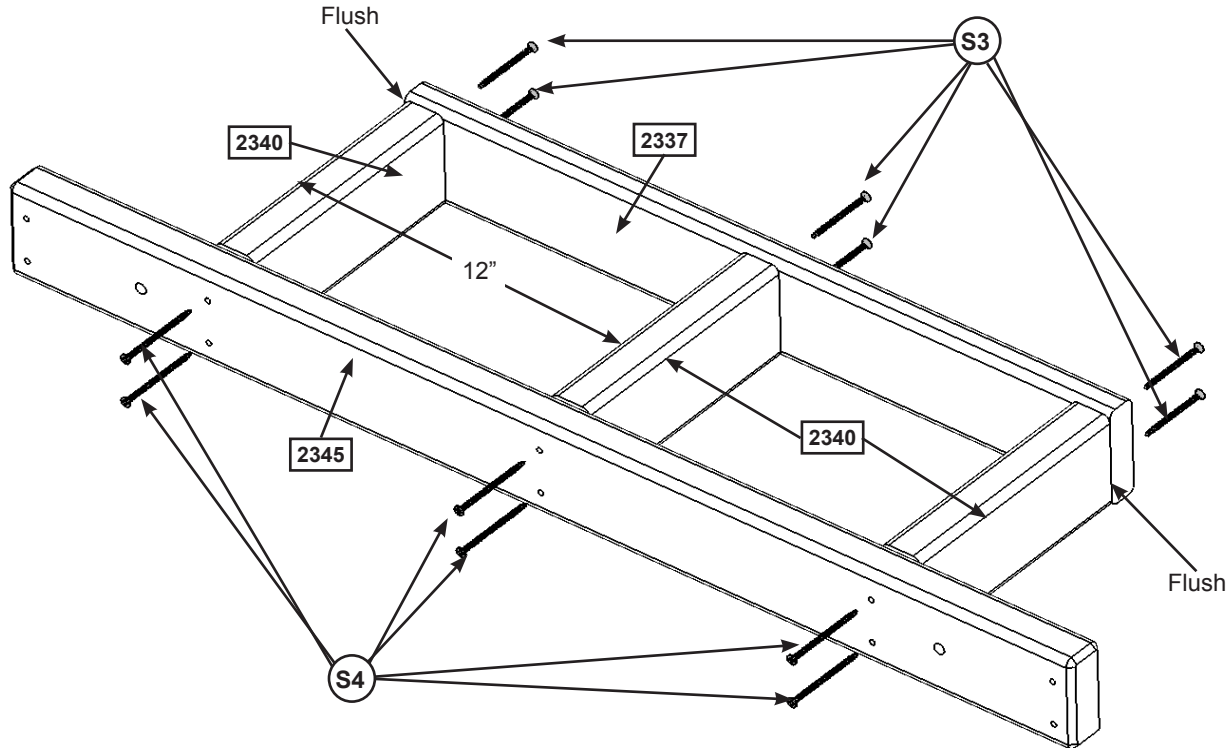


A: On flat level ground, lay out (2337) Crowsnest Back and (2345) Porch Floor End so they face each other. Using the pilot holes as a guide place 2 (2340) Crowsnest Joists flush to the outside edges of (2337) Crowsnest Back. Make sure the assembly is square then attach joists to (2337) Crowsnest Back with 2 (S3) #8 x 2-1/2" Wood Screws and to (2345) Porch Floor End with 2 (S4) #8 x 3" Wood Screws, per joist. (fig. 28.1)

B: Measure 12" from the outside edge of one (2340) Crowsnest Joist and place 1 (2340) Crowsnest Joist at measured spot. Make sure assembly is square then attach to (2337) Crowsnest Back with 2 (S3) #8 x 2-1/2" Wood Screws and to (2345) Porch Floor End with 2 (S4) #8 x 3" Wood Screws. (fig. 28.1)

This creates the Crowsnest Bottom Assembly.

Fig. 28.1
Outside View



Wood Parts

- 3 x 2340 Crowsnest Joist 2 x 4 x 8-5/8"
- 1 x 2337 Crowsnest Back 5/4 x 4 x 25-1/2"
- 1 x 2345 Porch Floor End 2 x 4 x 38-1/2"

Hardware

- 6 x S3 #8 x 2-1/2" Wood Screw
- 6 x S4 #8 x 3" Wood Screw

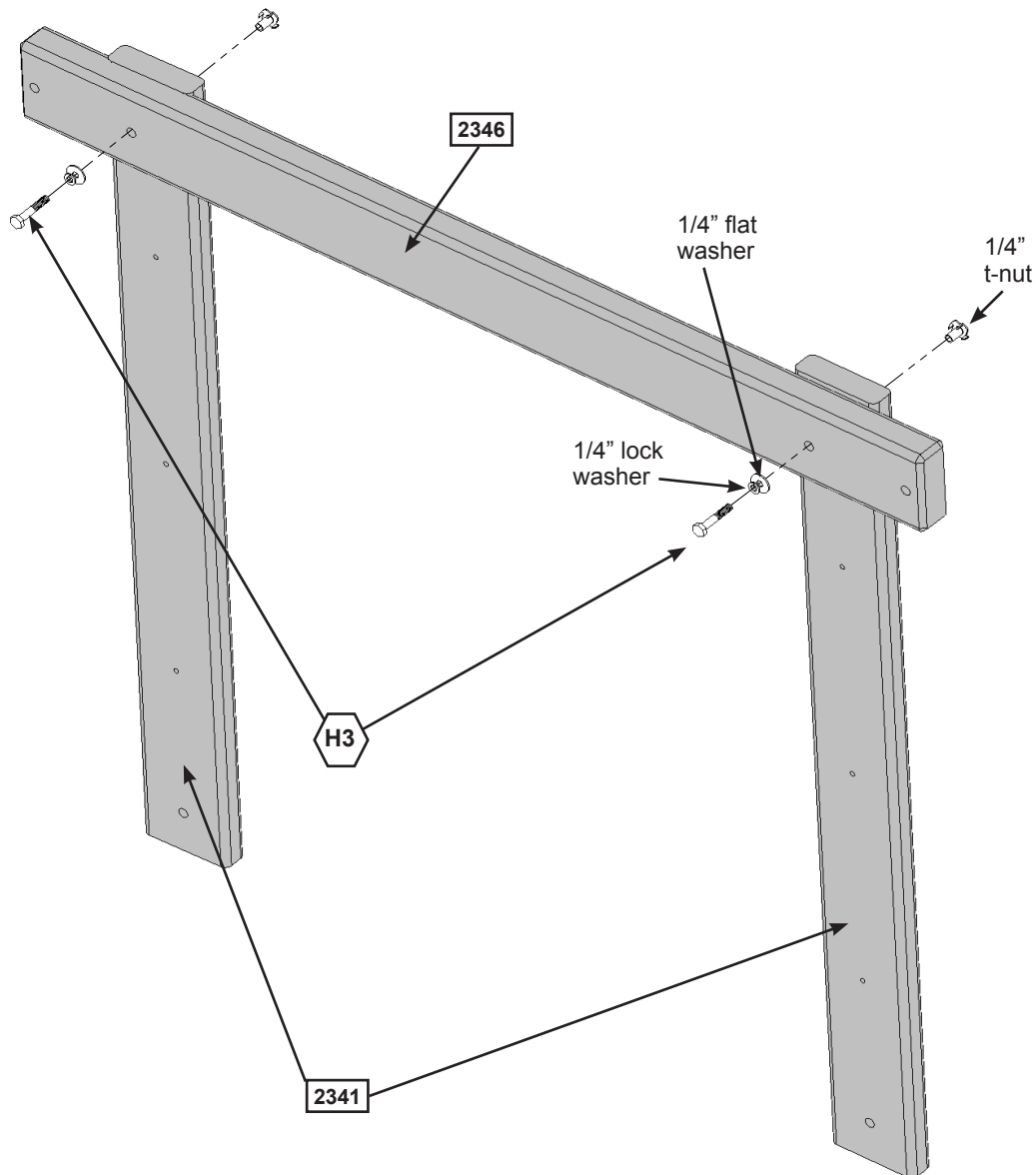
Step 28: Crowsnest Assembly Part 2



C: On flat level ground, place (2346) Porch Top End on top of 2 (2341) Crowsnest Uprights as shown in fig. 28.2. Loosely attach with 2 (H3) 1/4 x 2-1/2" Hex Bolts (with lock washer, flat washer and t-nut). (fig. 28.2)

This creates the Crowsnest Top Assembly.

Fig. 28.2



Wood Parts

- 1 x 2346 Porch Top End 2 x 4 x 38-1/2"
- 2 x 2341 Crowsnest Upright 5/4 x 4 x 34-3/8"

Hardware

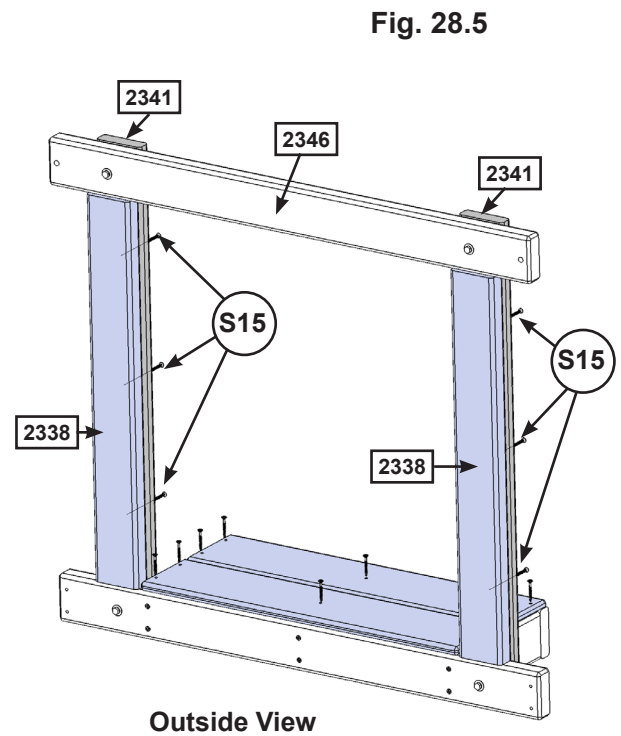
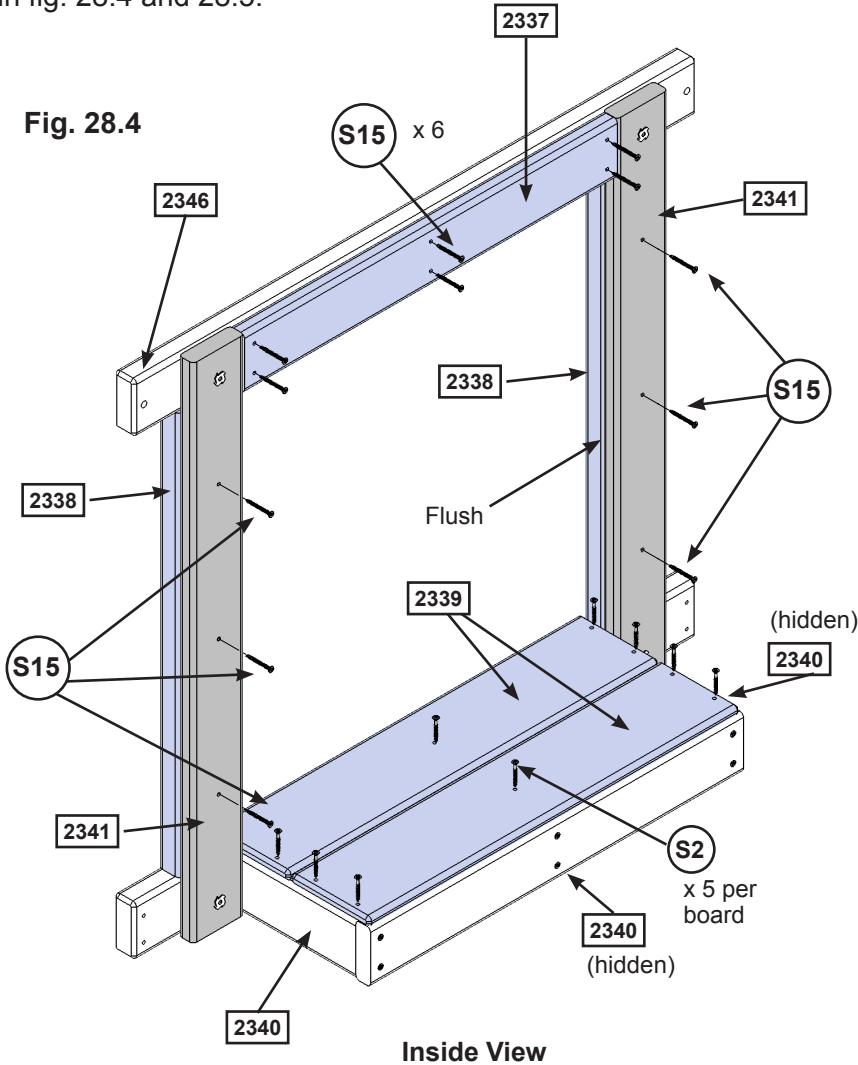
- 2 x H3 1/4 x 2-1/2" Hex Bolt (1/4" lock washer, 1/4" flat washer, 1/4" t-nut)

Step 28: Crowsnest Assembly Part 4

E: Place 2 (2339) Crowsnest Floors on Crowsnest Bottom Assembly so each board is flush to the outside edges of (2340) Crowsnest Joists and to the outside edges of the front and back boards. Attach both (2339) Crowsnest Floors to each (2340) Crowsnest Joists with 5 (S2) #8 x 1-1/2" Wood Screws per floor board. (fig. 28.4)

F: In between both (2341) Crowsnest Uprights attach (2337) Crowsnest Back flush to the top and bottom of (2346) Porch Top End with 6 (S15) #8 x 1-3/4" Wood Screws. (fig. 28.4)

G: Place 1 (2338) Crowsnest Face on the front of each (2341) Crowsnest Upright, so they are flush to the inside edges, and attach from the inside of the assembly using 3 (S15) #8 x 1-3/4" Wood Screws per board, as shown in fig. 28.4 and 28.5.



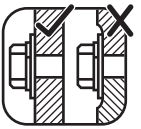
Wood Parts

- 1 x 2337 Crowsnest Back 5/4 x 4 x 25-1/2"
- 2 x 2338 Crowsnest Face 2 x 4 x 27-1/2"
- 2 x 2339 Crowsnest Floor 1 x 6 x 25-3/8"

Hardware

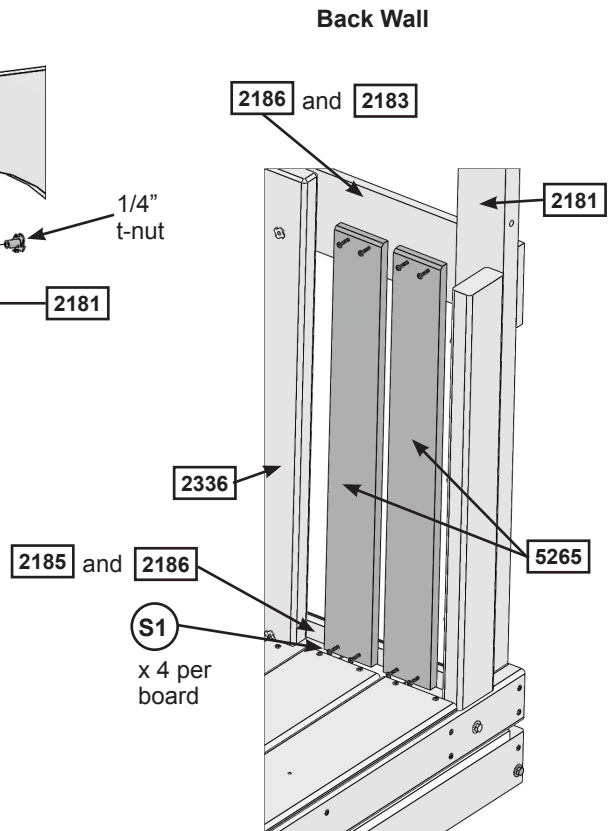
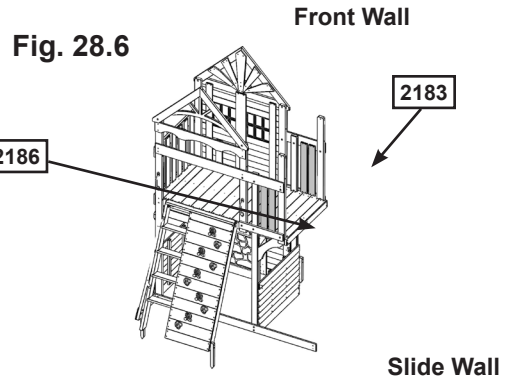
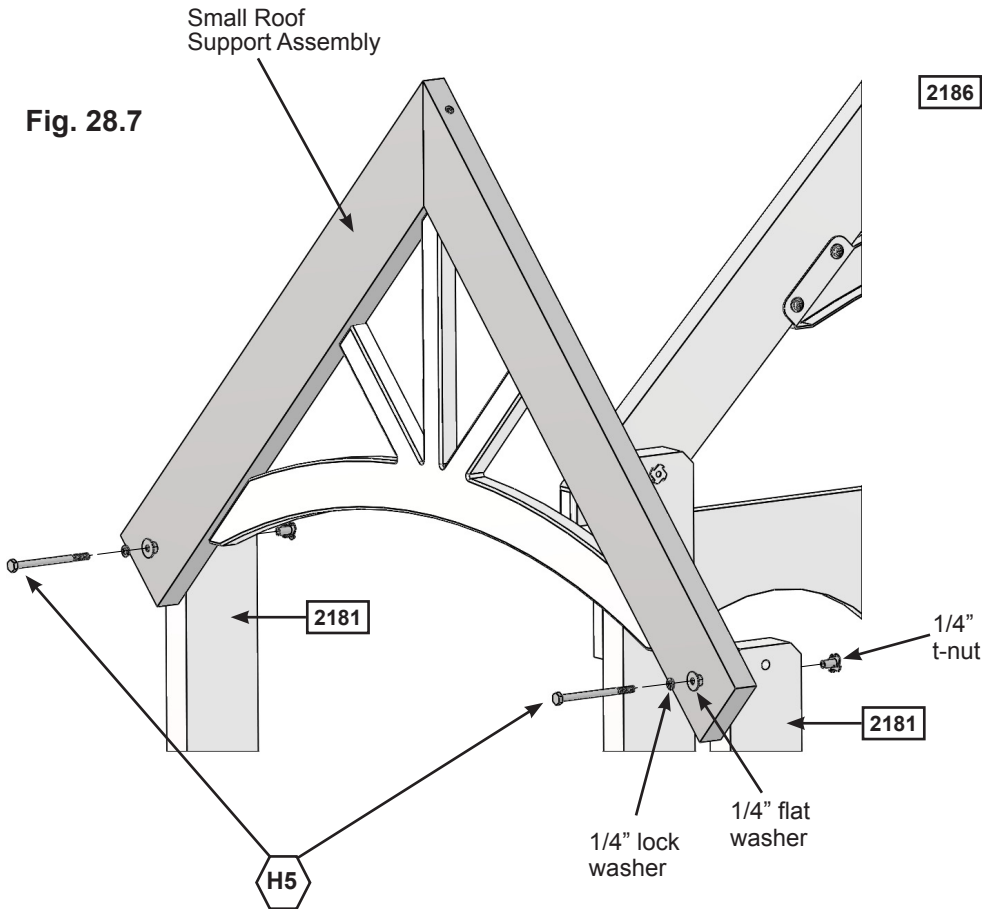
- 10 x S2 #8 x 1-1/2" Wood Screw
- 12 x S15 #8 x 1-3/4" Wood Screw

Step 28: Crowsnest Assembly Part 5



H: On the Slide Wall attach the Small Roof Support Assembly to both (2181) Short Posts with 2 (H5) 1/4 x 4-1/2" Hex Bolts (with lock washer, flat washer and t-nut), as shown in fig. 28.6 and 28.7.

I: On the Slide Wall side, in between (2181) Short Post and (2336) Centre Post on both Front and Back Walls, evenly space and attach 2 (5265) Cedar Walls per wall to (2183) Front Rail and (2186) Back Front Wall on the Front Wall and to (2186) Back Front Wall and (2185) Lower Back on the Back Wall, using 4 (S1) #8 x 1-1/8" Wood Screws per board. Make sure the bottom of the boards are tight against the floor boards. (fig. 28.6 and 28.8)



Wood Parts

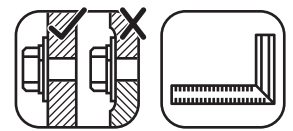
4 x [5265] Cedar Wall 1 x 4 x 28"

Hardware

16 x (S1) #8 x 1-1/8" Wood Screw

2 x (H5) 1/4 x 4-1/2" Hex Bolt
(1/4" lock washer, 1/4" flat washer, 1/4" t-nut)

Step 28: Crowsnest Assembly Part 6



J: Place Crowsnest Assembly in the Slide Wall side opening, tight to the top of (2197) Floor Board and loosely attach (2346) Porch Top End to each (2181) Short Post with 2 (H6) 1/4 x 4-3/4" Hex Bolts (with lock washer, flat washer and t-nut). (fig. 28.9 and 28.10)

K: Make sure the assembly is square then tighten all 6 bolts.

L: Attach (2345) Porch Floor End to each (2181) Short Post with 4 (S4) #8 x 3" Wood Screws. (fig. 28.10)

Fig. 28.9

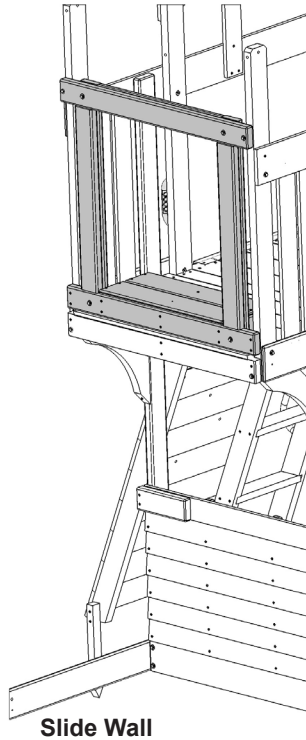
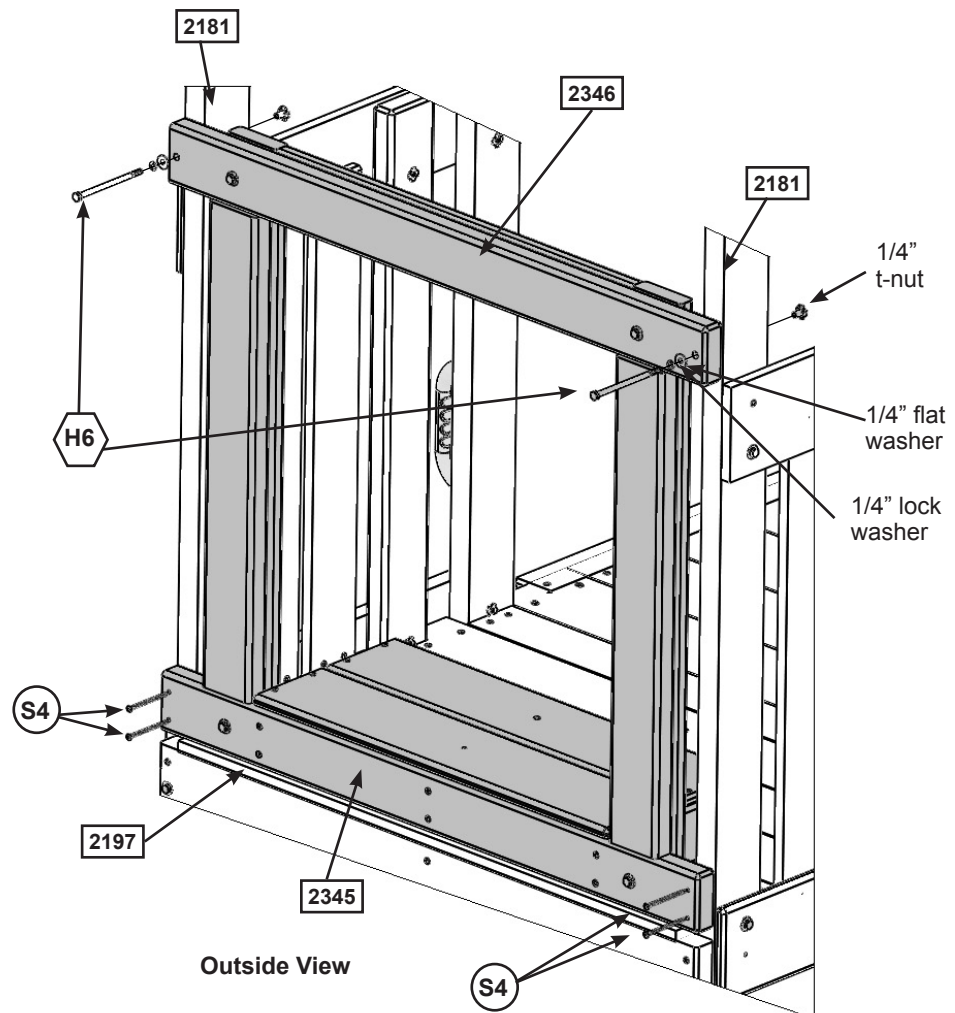
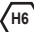



Fig. 28.10



Hardware

- 2 x  1/4 x 4-3/4" Hex Bolt
(1/4" lock washer, 1/4" flat washer, 1/4" t-nut)
- 4 x  #8 x 3" Wood Screw

Step 29: Large Roof Panel Assembly Part 1



A: Place (2329) Large V Panel on its edge and have a helper hold so it is stable. Starting flush to each bottom edge of the panel “V” carefully attach 4 Roof Valley II pieces, 2 per side (1 Left, 1 Right) as shown below, with 6 (S16) #6 x 1” Pan Screws per Roof Valley II L and 5 (S16) #6 x 1” Pan Screws per Roof Valley II R. (fig. 29.1 and 29.2)

B: Lean (2329) Large V Panel against (2304) Large Square Panel so the Large V Panel overlaps the Large Square Panel as shown in fig. 29.4. Attach the two panels together with 6 (S3) #8 x 2-1/2” Wood Screws (3 per side). (fig. 29.3 and 29.4)

Fig. 29.1

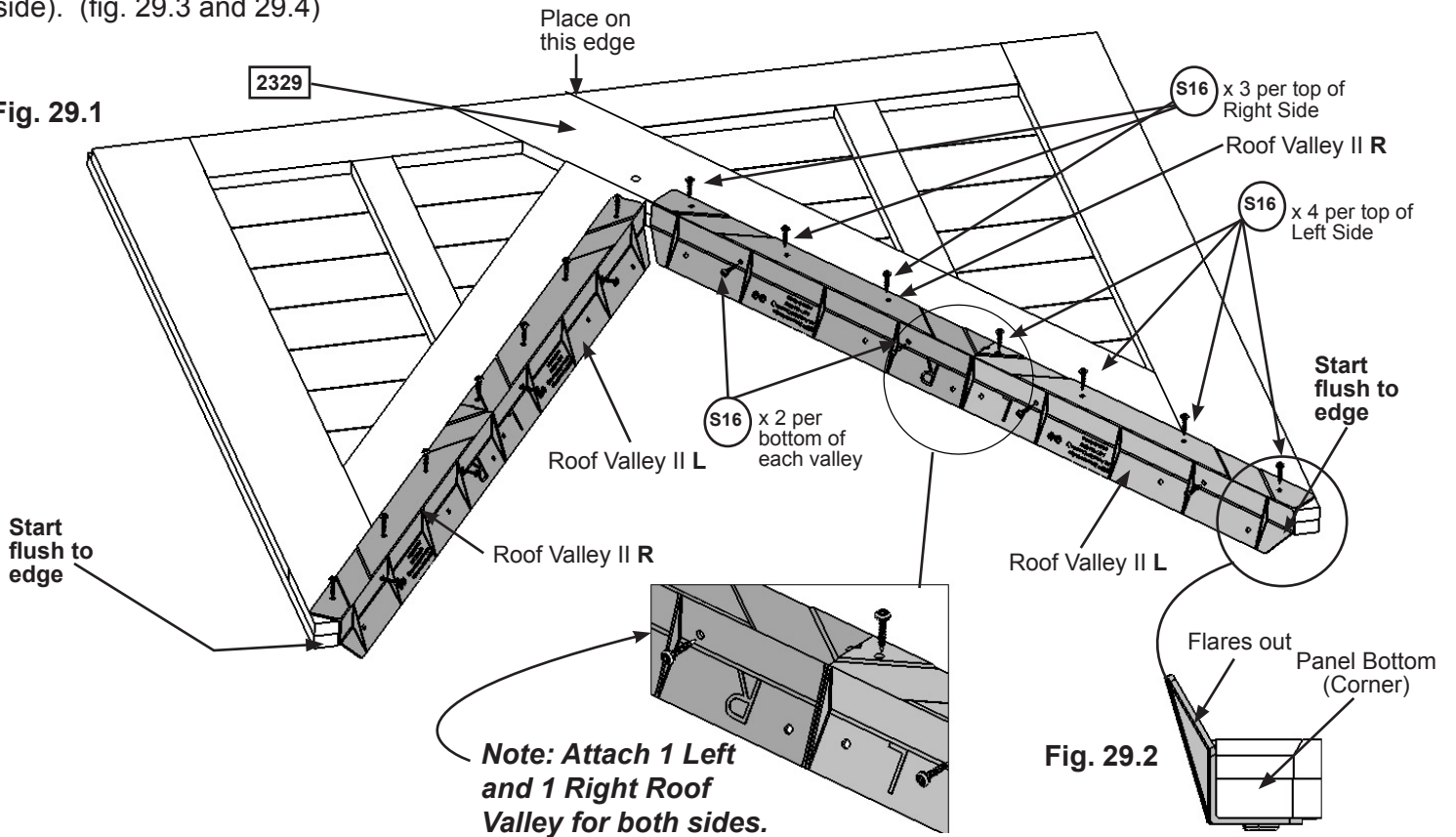


Fig. 29.2

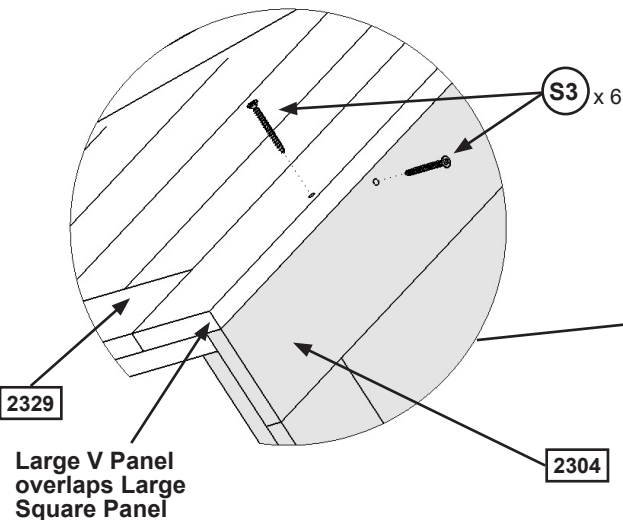
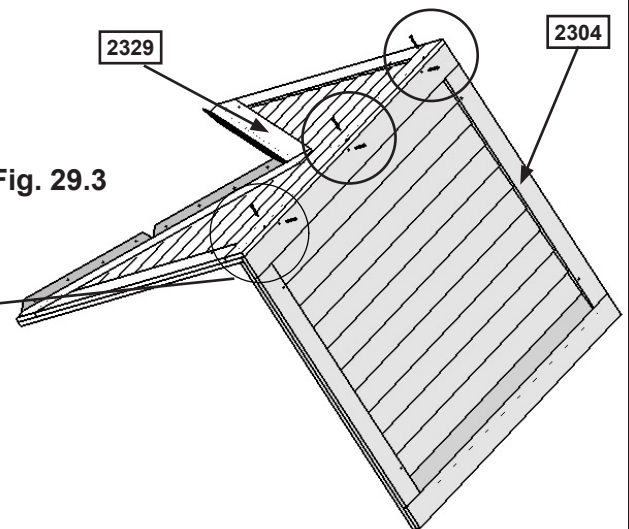


Fig. 29.3



Wood Parts

- 1 x **2329** Large V Panel 1-1/4 x 39 x 44-1/4"
- 1 x **2304** Large Square Panel 1-1/4 x 39 x 44-1/4"

Hardware

- 6 x **S3** #8 x 2-1/2" Wood Screw
- 22 x **S16** #6 x 1" Pan Screw

Other Parts

- 1 x Roof Valley II (Pkg of 4)

Step 29: Large Roof Panel Assembly Part 2



C: Lift Large Roof Panel Assembly on to fort and place on each Large Roof Support Assembly so (2329) Large V Panel faces the Slide Wall and the pilot holes are centred over the Roof Supports. (fig. 29.5 and 29.6).

D: Attach Large Roof Panel Assembly to each (2243) Large Support L and each (2244) Large Support with 8 (S3) #8 x 2-1/2" Wood Screws as shown in fig. 29.6.

Fig. 29.5

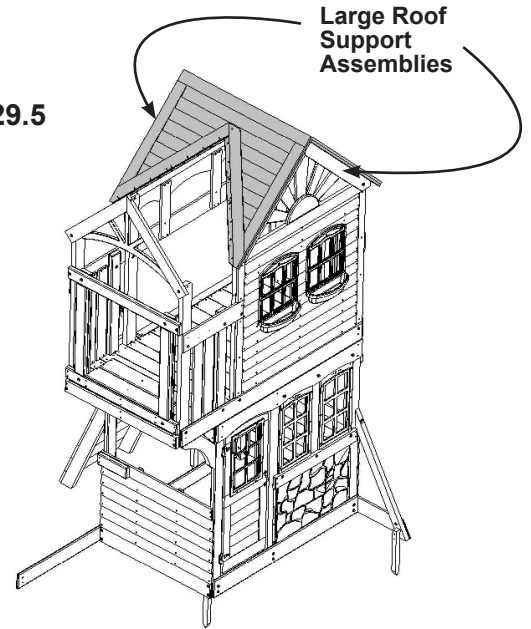
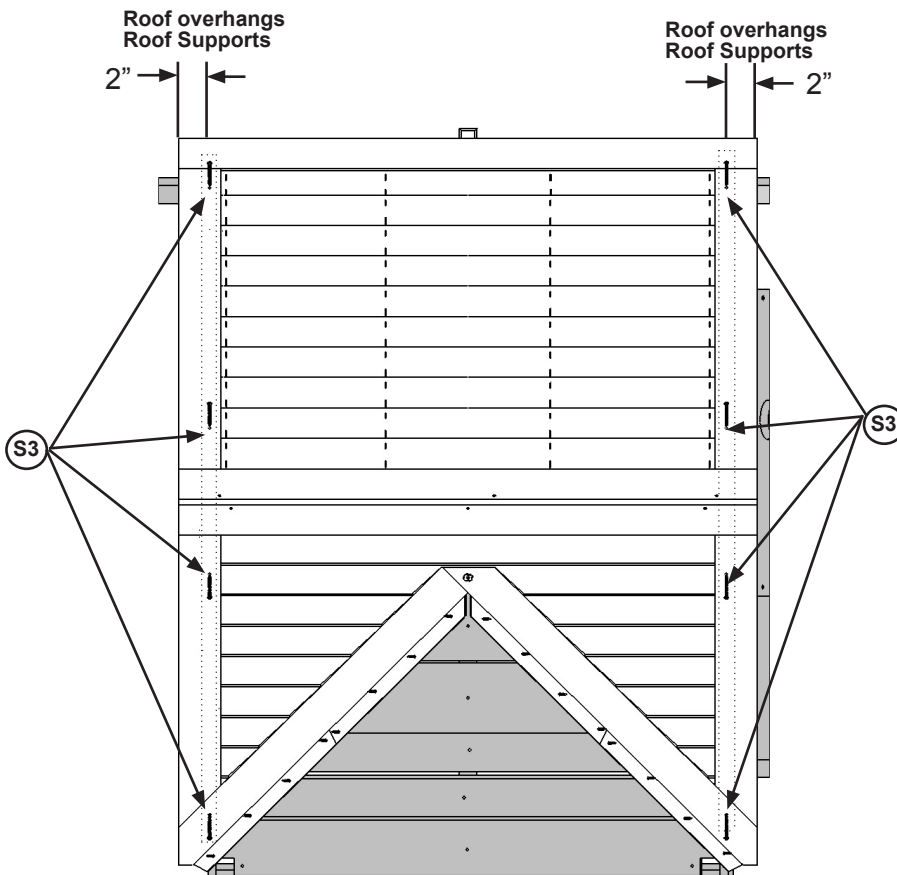


Fig. 29.6
Top View



Hardware

8 x (S3) #8 x 2-1/2" Wood Screw

Step 30: Small Roof Panel Assembly Part 1



A: Lean (2295) Right Roof Panel against (2276) Left Roof Panel so the Right Panel overlaps the Left panel as shown in fig. 30.2. Attach the two panels together with 6 (S15) #8 x 1-3/4" Wood Screws (3 per side). (fig. 30.1 and 30.2)

B: Lift Small Roof Panel Assembly on to fort and place on the Small Roof Support Assembly and resting on the Roof Valleys of the Large Roof Panel Assembly. Attach to the remaining holes in the Roof Valleys with 4 (S16) #6 x 1" Pan Screws per Roof Valley. (fig. 30.3 and 30.4).

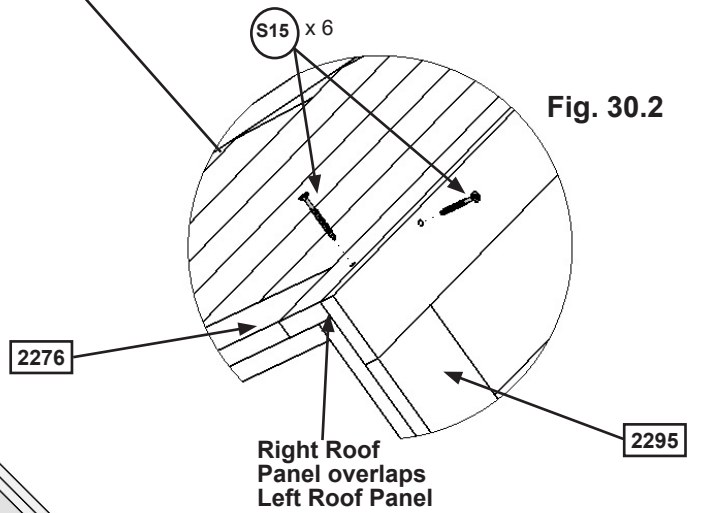
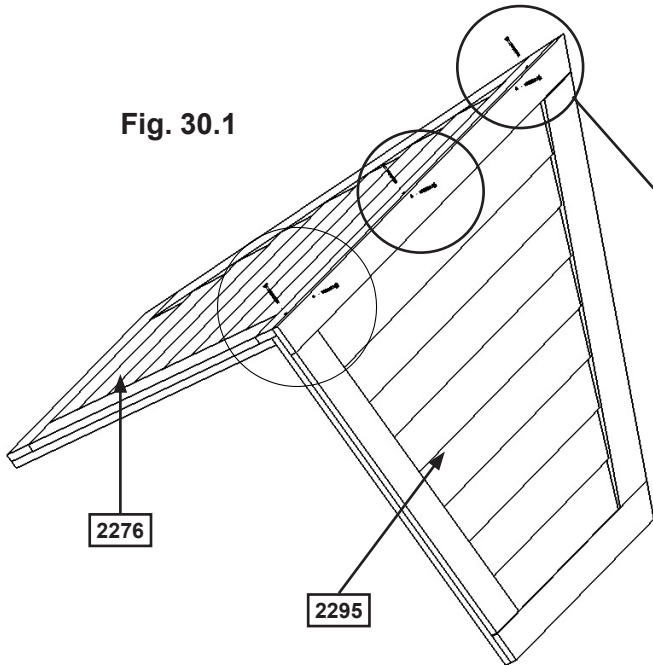
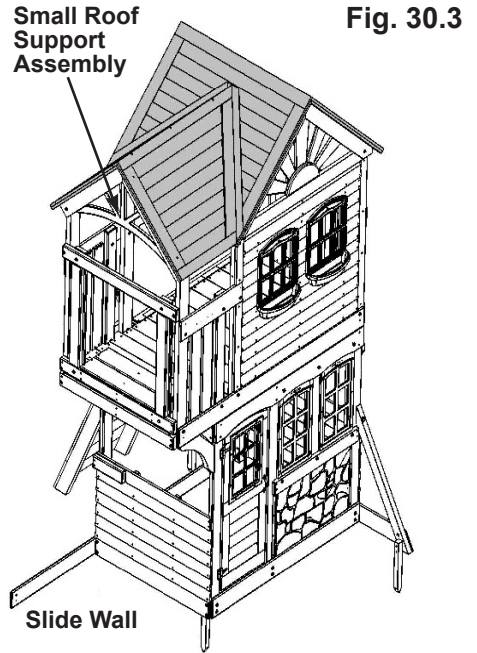
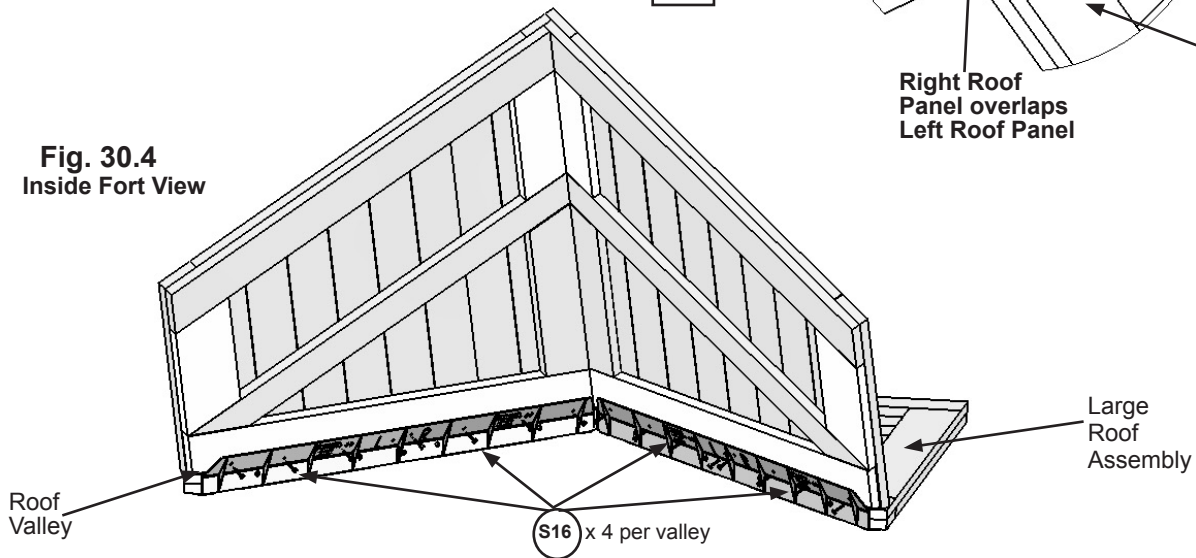


Fig. 30.4
Inside Fort View



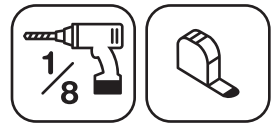
Wood Parts

- 1 x 2295 Right Roof Panel 1-1/4 x 31-1/2 x 43"
- 1 x 2276 Left Roof Panel 1-1/4 x 31" x 42-9/16"

Hardware

- 6 x S15 #8 x 1-3/4" Wood Screw
- 16 x S16 #6 x 1" Pan Screw

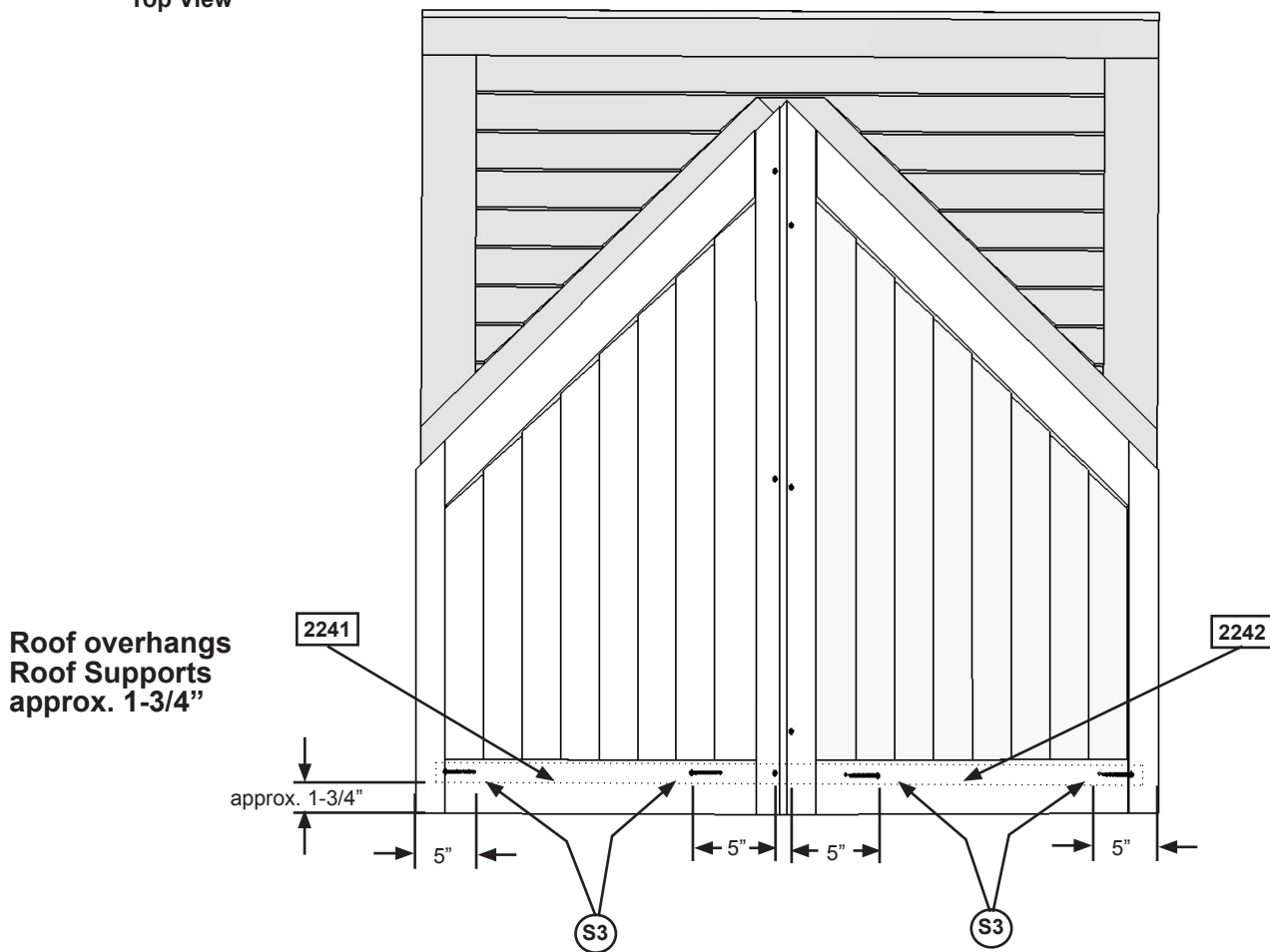
Step 30: Small Roof Panel Assembly Part 2



Pre-drill using a 1/8" drill bit before installing the Wood Screws.

C: The Small Roof Panel Assembly should overhang (2241) Roof Support L and (2242) Roof Support by approximately 1-3/4". The 2 lower screws should be placed 5" from the bottom of the panel. The 2 upper screws should be placed 5" from the peak of the panel. See fig. 30.5 for accurate placement of screws. Once holes are pre-drilled, attach using 4 (S3) #8 x 2-1/2" Wood Screws.

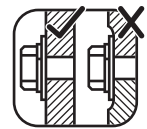
Fig. 30.5
Top View



Hardware

4 x (S3) #8 x 2-1/2" Wood Screw

Step 31: Attach Swing Assembly to Fort



A: Attach Swing Assembly from Step 5 to (2194) SW Mount with 1 (G5) 5/16 x 4-1/2" Hex Bolt (with lock washer, flat washer and t-nut) and 1 (G8) 5/16 x 2" Hex Bolt (with 2 flat washers and 1 lock nut) as shown in fig. 31.1 and 31.2.

B: Drive 1 (0318) Ground Stake 10-1/2" into the ground at each (1863) SW Post on the outside of the assembly and attach with 2 (S3) #8 x 2-1/2" Wood Screws per ground stake. (fig. 31.2 and 31.3)

⚠WARNING: To prevent tipping and avoid potential injury, stakes must be driven 10-1/2" into ground. Digging or driving stakes can be dangerous if you do not check first for underground wiring, cables or gas lines.

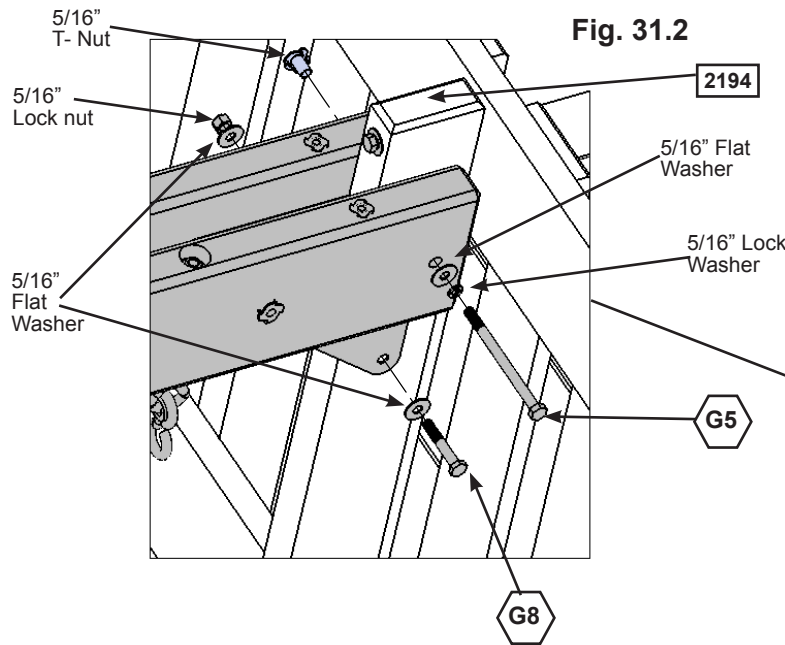


Fig. 31.2

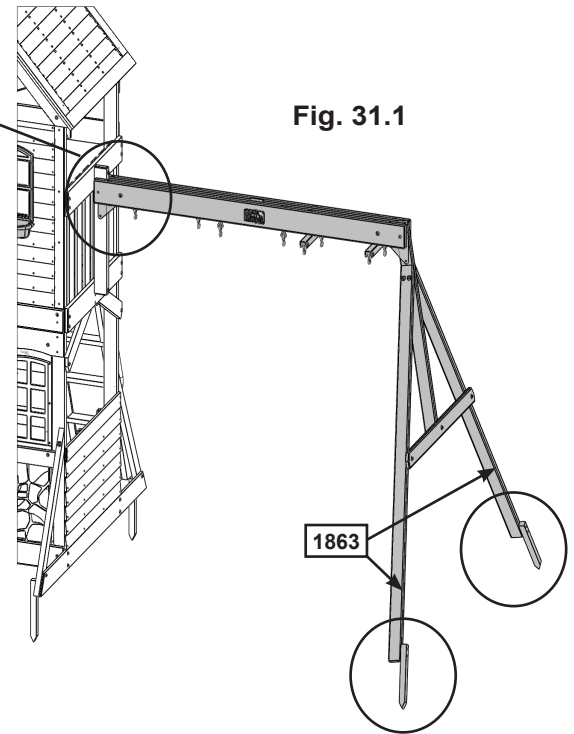


Fig. 31.1

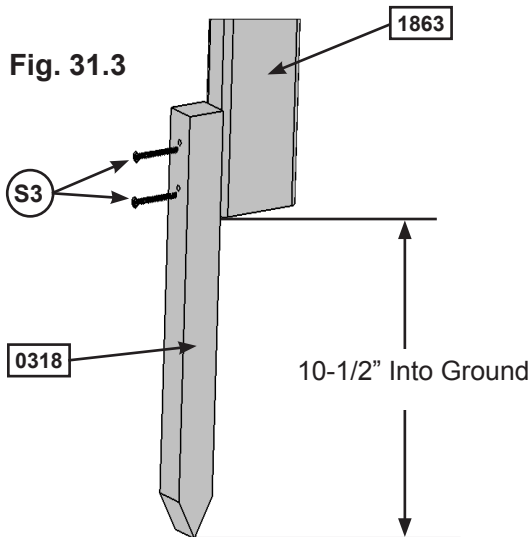


Fig. 31.3

Wood Parts

2 x 0318 Ground Stake 1-1/4 x 1-1/2 x 14"

Hardware

4 x S3 #8 x 2-1/2" Wood Screw

1 x G5 5/16 x 4-1/2" Hex Bolt
(5/16" lock washer, 5/16" flat washer, 5/16" t-nut)

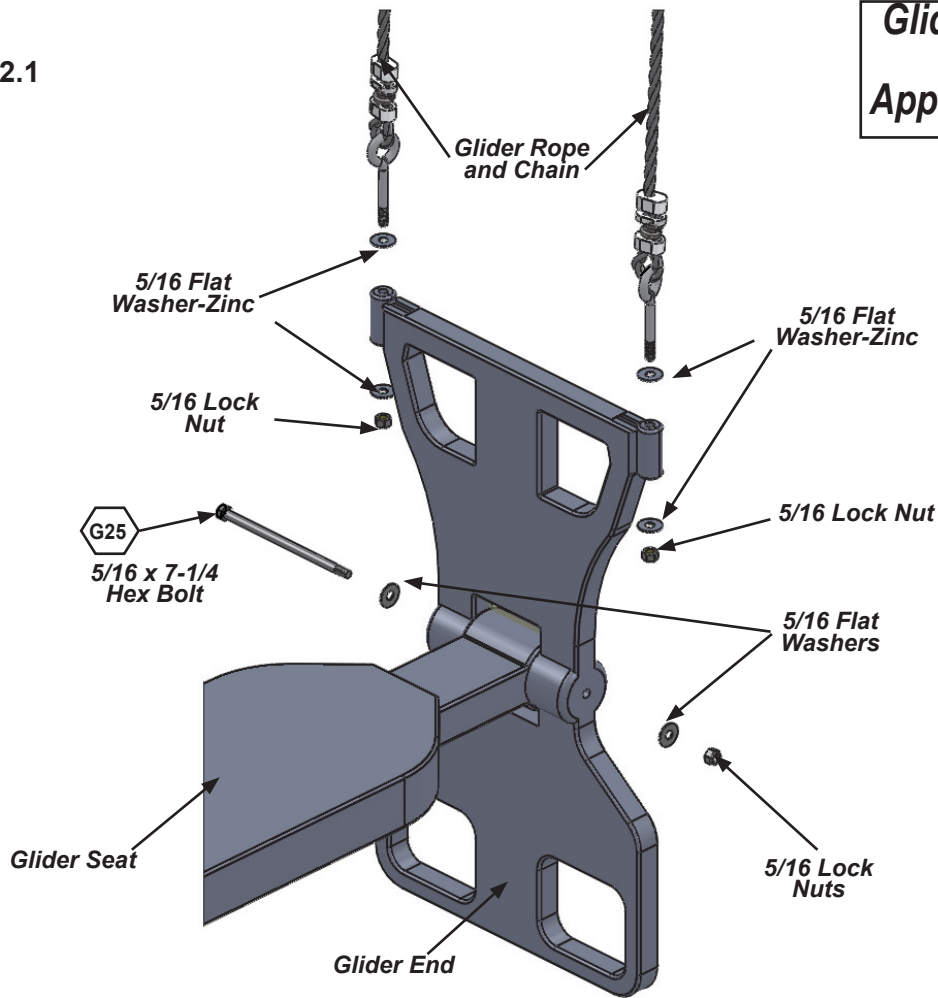
1 x G8 5/16 x 2" Hex Bolt
(5/16" flat washer x 2, 5/16" lock nut)

Step 32: Glider Assembly

A: Attach 1 Glider End to the Glider Seat using 1 (G25) 5/16 x 7-1/4" Hex Bolt (with 2 flat washers and 1 lock nut). Repeat for the second Glider End. (fig. 32.1)

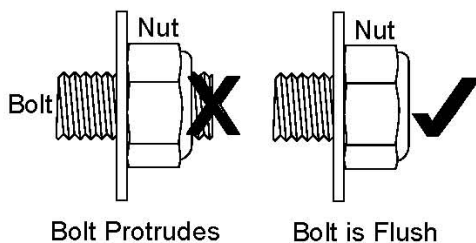
B: Install 2 Glider Rope with Chains into each Glider End using 2 - 5/16" Flat Washers and 1 Lock Nut per rope. (fig. 32.1)

Fig. 32.1




*Glider may not be as shown.
Appearance may vary.*

⚠ WARNING: Bolt must not exceed 1/2 thread past the nut



Hardware

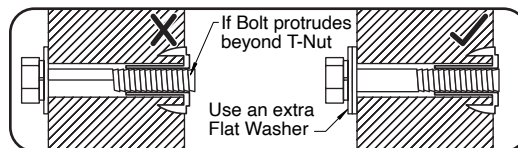
- 2 x  5/16 x 7-1/4" Hex Bolt (5/16" flat washer x 2, 5/16" lock nut)
- 8 x 5/16" Flat Washer
- 4 x 5/16" Lock Nut

Other Parts

- 2 x Glider End
- 1 x Glider Seat
- 1 x Glider Rope and Chain (pkg of 4)

Step 33: Attach Glider and Swings

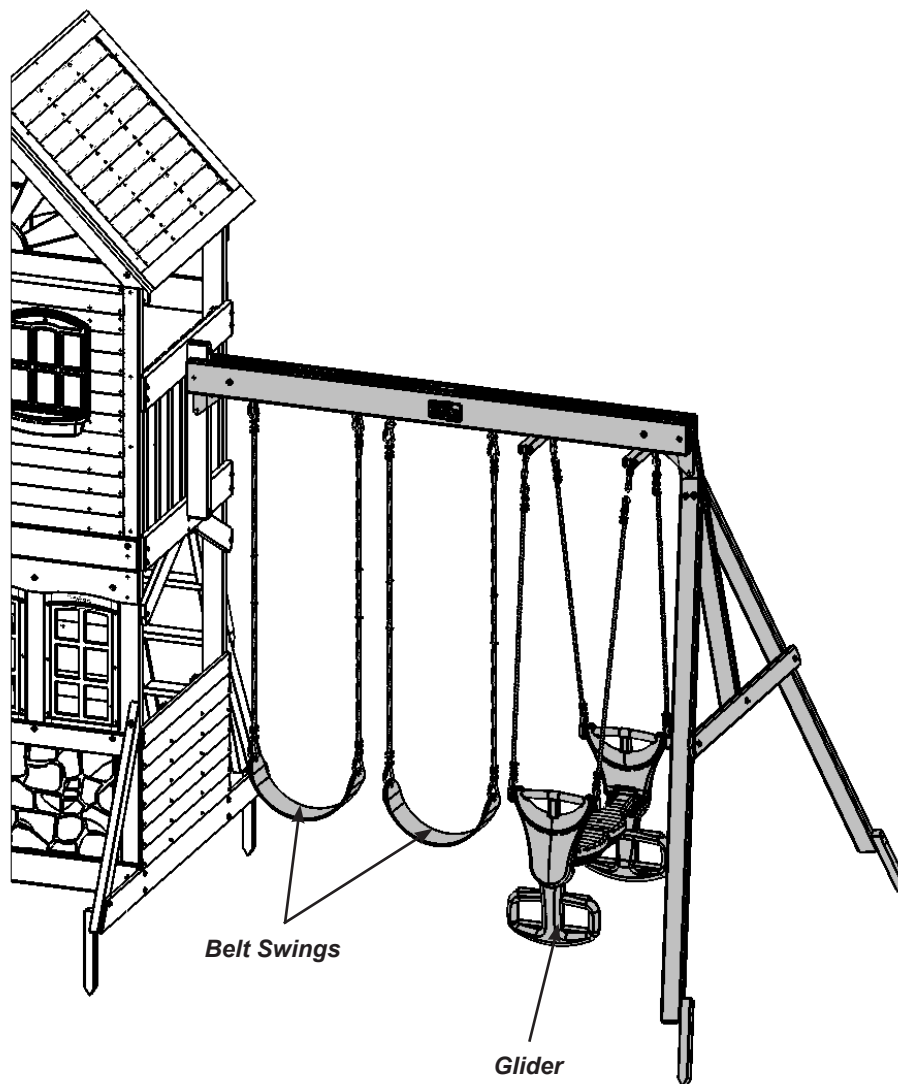
⚠ WARNING: Check entire play centre for bolts protruding beyond T-Nuts. Use extra washers to eliminate this condition.



A: Connect the assembled Glider to the Glider Hangers previously installed. (fig. 33.1)

B: Attach 2 Belt Swings to the Bolt-Thru Swing Hangers. (fig. 33.1)

Fig. 33.1



Other Parts
2 x Belt Swings

Step 34: Attach Door Dormer to Fort

A: Above (9509) Door Panel, flush to the top of the first (2232) Siding and tight to the centre (2181) Short Post bolt attach Dormer from Step 7, Part 1 to (2166) Door Arch and (2186) Back Front Wall with 2 (S7) #2 x 2" Pan Screws per (2347) Roof Block. (fig. 34.1)

B: Place Roof Trim Assembly with Door Roof Grill from Step 7, Part 2 centred over the pilot holes of (2348) Roof Board A and (2349) Roof Board B and tight to the underside of each board. (fig. 34.2)

C: Attach (2349) Roof Board B to (2426) Roof Trim with 2 (S2) #8 x 1-1/2" Wood Screws. (fig. 34.2)

D: Attach (2348) Roof Board A to (2426) Roof Trim with 1 (S2) #8 x 1-1/2" Wood Screw in the bottom hole and 1 (S3) #8 x 2-1/2" Wood Screw in the top hole. (fig. 34.2)

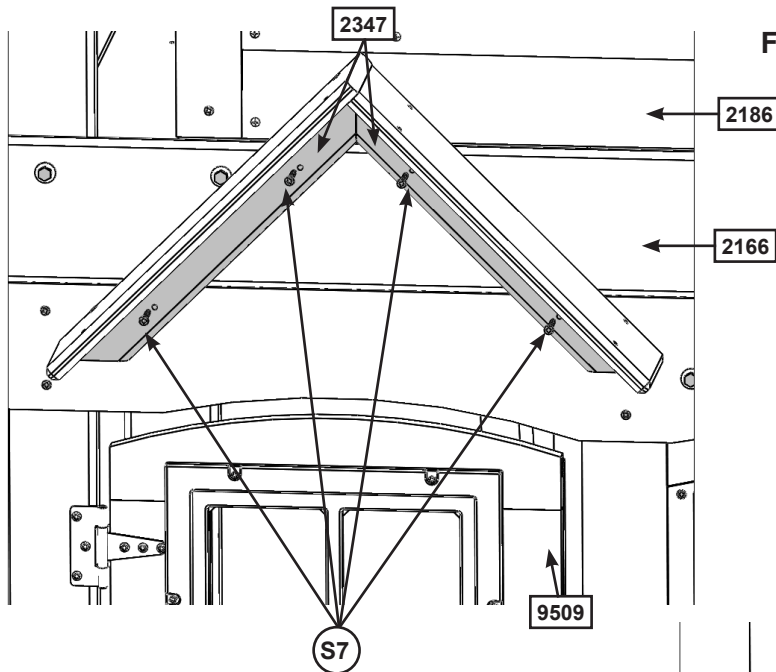


Fig. 34.1

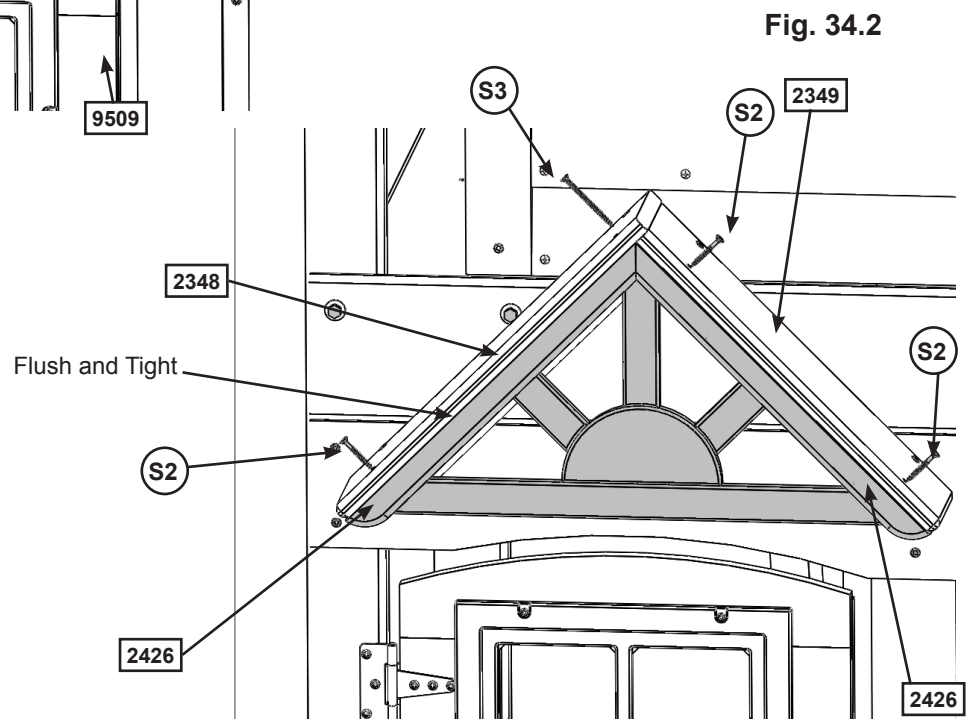


Fig. 34.2

Hardware

- 1 x (S3) #8 x 2-1/2" Wood Screw
- 3 x (S2) #8 x 1-1/2" Wood Screw
- 4 x (S7) #12 x 2" Pan Screw

Step 35: Slide Section Assemblies Part 1

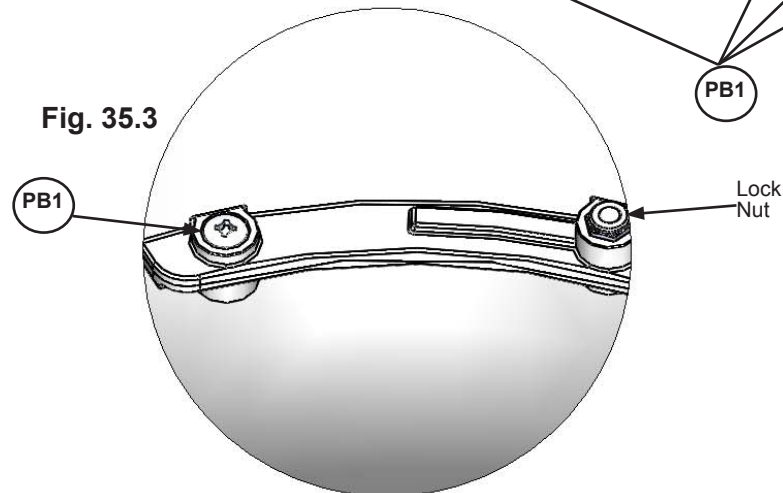
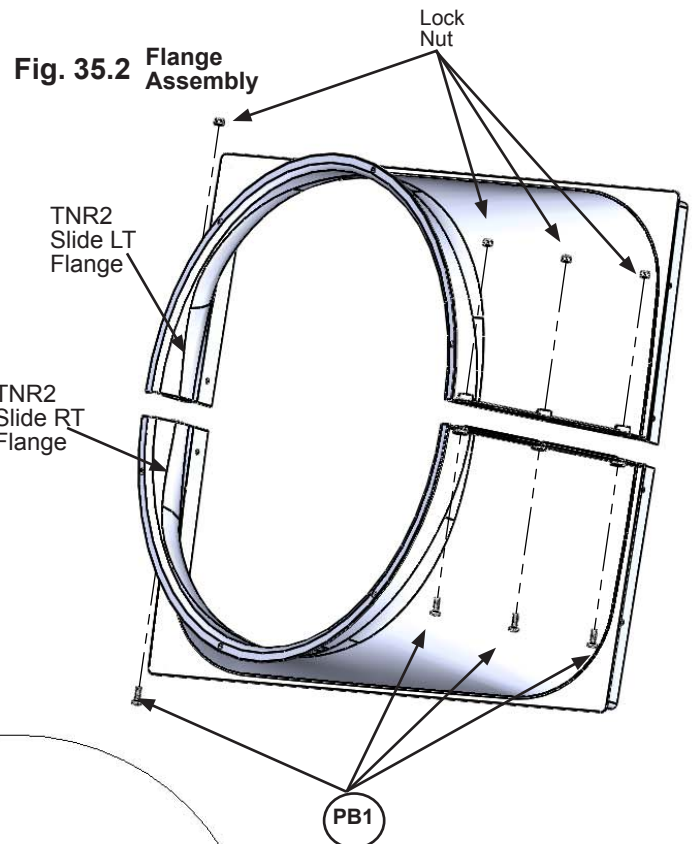
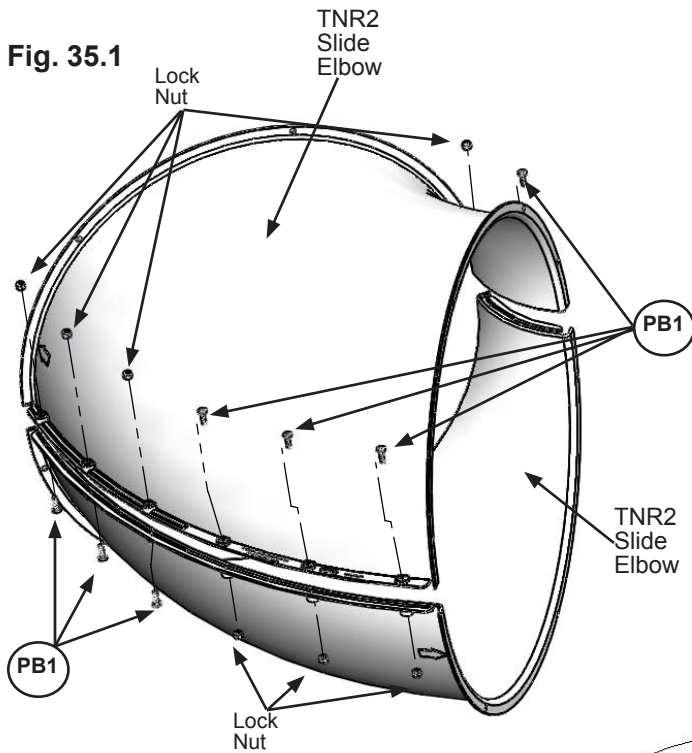


Note: When installing Pan Bolts make sure to look at holes so bolts go through the side with the round recess and the lock nuts go through the side with the hexagonal recess. (fig. 35.3)

A: Fit 2 TNR2 Slide Elbows together and attach with 8 (PB1) 1/4 x 3/4" Pan Bolts (with lock nut) as shown in fig. 35.1. It is very important to attach bolts as indicated.


B: Repeat Step A 3 more times to create 4 Elbow Sections in total.

C: Attach TNR2 Slide RT Flange and TNR2 Slide LT Flange together using 4 (PB1) 1/4 x 3/4" Pan Bolts (with lock nut) as shown in fig. 35.2. This creates the Flange Assembly.



Use a 7/16" open end wrench for nuts

Hardware

36 x  1/4 x 3/4" Pan Bolt
(1/4" lock nut)

Other Parts

1 x TNR2 Slide LT Flange
1 x TNR2 Slide RT Flange
8 x TNR2 Slide Elbow

Step 35: Slide Section Assemblies

Part 2

Note: When installing Pan Bolts make sure to look at holes so bolts go through the side with the round recess and the lock nuts go through the side with the hexagonal recess. (fig. 35.3)

D: Attach TNR2 Slide Exit Top and the remaining TNR2 Slide Elbow together using 8 (PB1) 1/4 x 3/4" Pan Bolts (with lock nut) as shown in fig. 35.4. It is very important to attach bolts as indicated. This creates the Exit Elbow Assembly.

Fig. 35.4

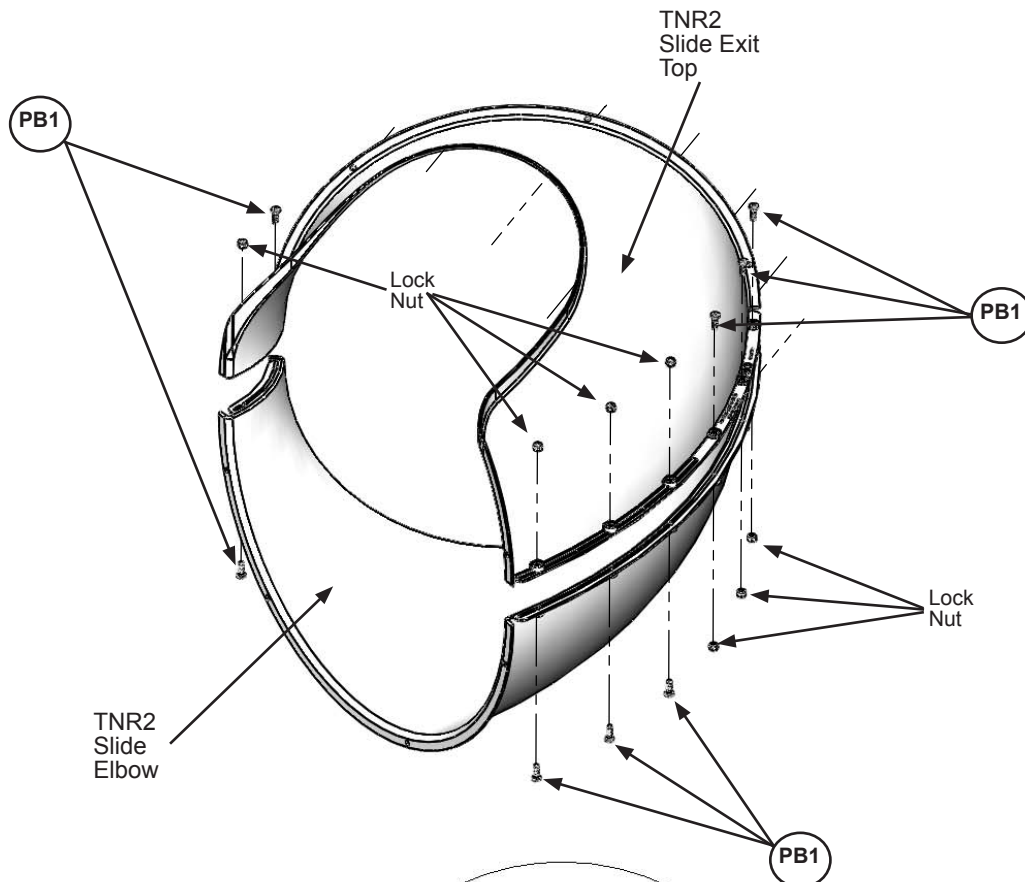
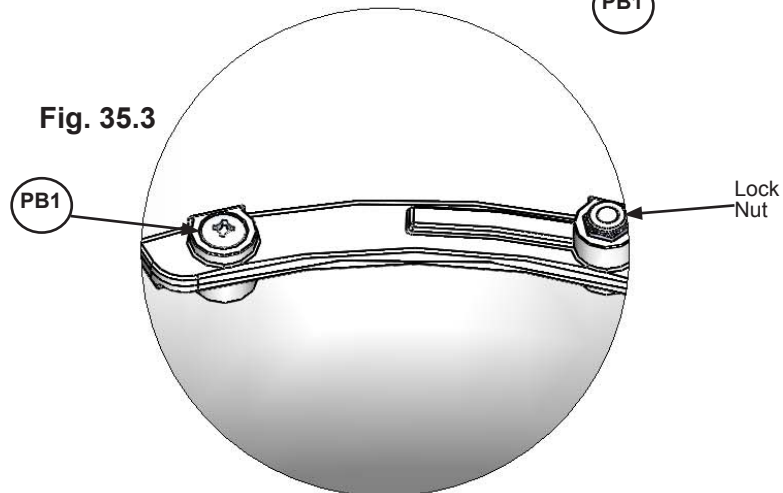


Fig. 35.3



Hardware

8 x (PB1) 1/4 x 3/4" Pan Bolt
(1/4" lock nut)

Other Parts

1 x TNR2 Slide Exit Top
1 x TNR2 Slide Elbow

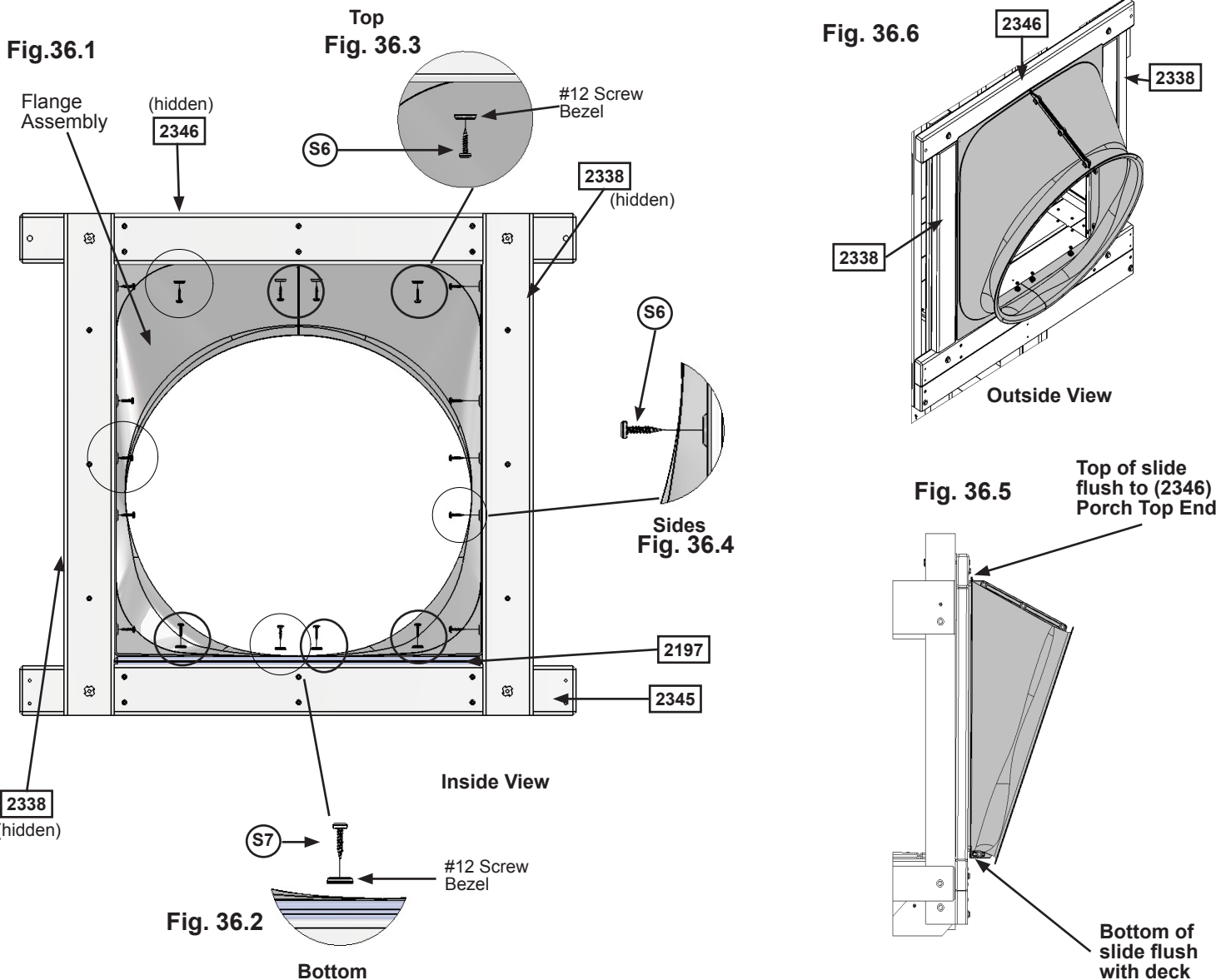
Step 36: Attach Flange Assembly to Fort



A: With a helper place the Flange Assembly flush to the Crowsnest on the fort as shown in fig. 36.1, then pre-drill 1/8" pilot holes in the bottom 4 mounting locations on (2197) Floor Board (approximate spots where circles are on figure), making sure the pre-drilled holes are a minimum of 1" deep.

B: Attach Flange Assembly to the Crowsnest through (2197) Floor Board and into (2345) Porch Floor End using 4 (S7) #12 x 2" Pan Screws (with #12 Screw Bezel) in the pre-drilled holes. (fig. 36.1 and 36.2) Make sure the flat surfaces of the Flange Assembly are flush to the Crowsnest as shown in fig. 36.5.

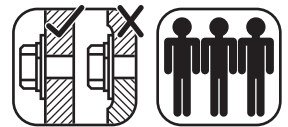
C: Attach the Flange Assembly flush to (2346) Porch Top End using 4 (S6) #12 x 1" Pan Screws (with #12 Screw Bezel) as shown in fig. 36.1 and 36.3 and to both (2338) Crowsnest Faces using 5 (S6) #12 x 1" Pan Screws per board. (fig. 36.1, 36.4 and 36.6)



Hardware

- 14 x (S6) #12 x 1" Pan Screw
- 4 x (S7) #12 x 2" Pan Screw
- 8 x #12 Screw Bezel

Step 37: Attach Elbow Assembly to Flange Assembly



Note: Keep all bolts loose until further step.

A: Fit one of the Elbow Assemblies to the Flange Assembly by lining up the arrows on each assembly. Attach Elbow Assembly to Flange Assembly using 6 (PB1) $\frac{1}{4}$ x $\frac{3}{4}$ " Pan Bolts and Square Lock Nut. (fig. 37.1, 37.2 and 37.3)

B: Attach one of the Elbow assemblies to another Elbow Assembly making sure to line up the arrows on each assembly. Attach 6 ($\frac{1}{4}$ x 12.7mm) Pan Bolt with Square Lock Nut. Repeat this instruction for 2 more. (fig. 37.2 and 37.3)

Use Quadrex Driver as a guide pin for each hole before inserting bolt.

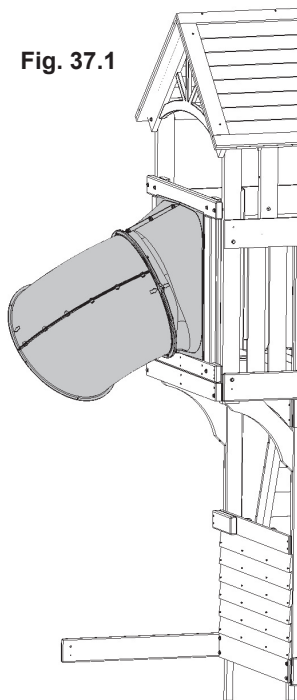
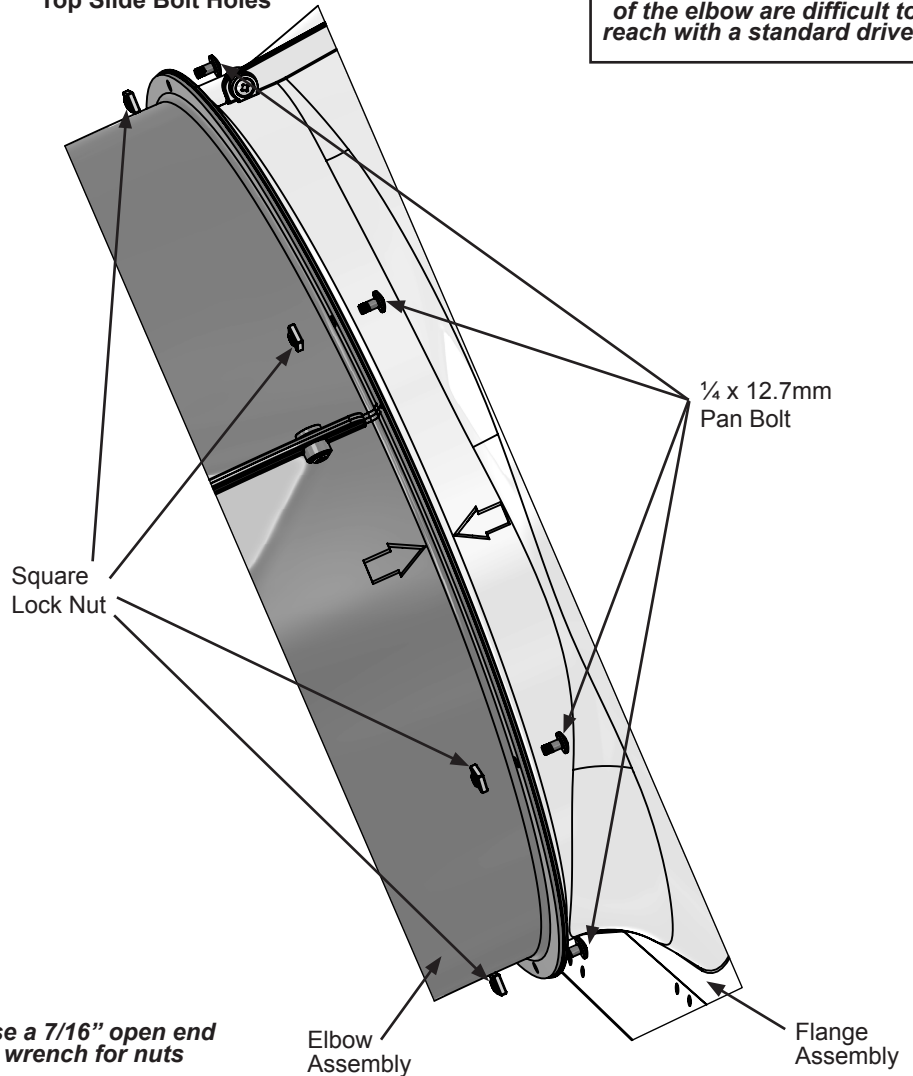


Fig. 37.1

Fig. 37.2
Top Slide Bolt Holes

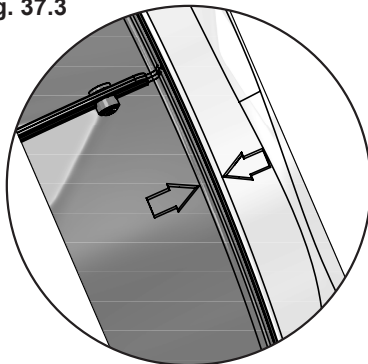


Quadrex Driver



Use special driver provided in locations where the curve of the elbow are difficult to reach with a standard driver.

Fig. 37.3



Align each elbow using the molded arrows.

Use a 7/16" open end wrench for nuts

Other Parts

1 x Quadrex Driver
24 x $\frac{1}{4}$ x 12.7mm Pan Bolt
24 x $\frac{1}{4}$ " Square Lock Nut

Step 38: Attach TNR2 Slide Exit to Exit Elbow Assembly



A: Insert flange of Exit Elbow Assembly (slide elbow) into the slots on TNR2 Slide Exit. (fig. 38.1)

B: Rotate Slide Exit and use Quadrex Driver as a guide pin so the holes are aligned and attach with 5 (PB1) 1/4 x 3/4" Pan Bolts (with lock nuts) starting with the bottom middle hole and working up each side. (fig. 38.2 and 38.3)

C: At this point make sure all the slide bolts are tight. *Use a 7/16" open end wrench to hold nut and then tighten bolt with Quadrex Driver on Clamp Rings.*

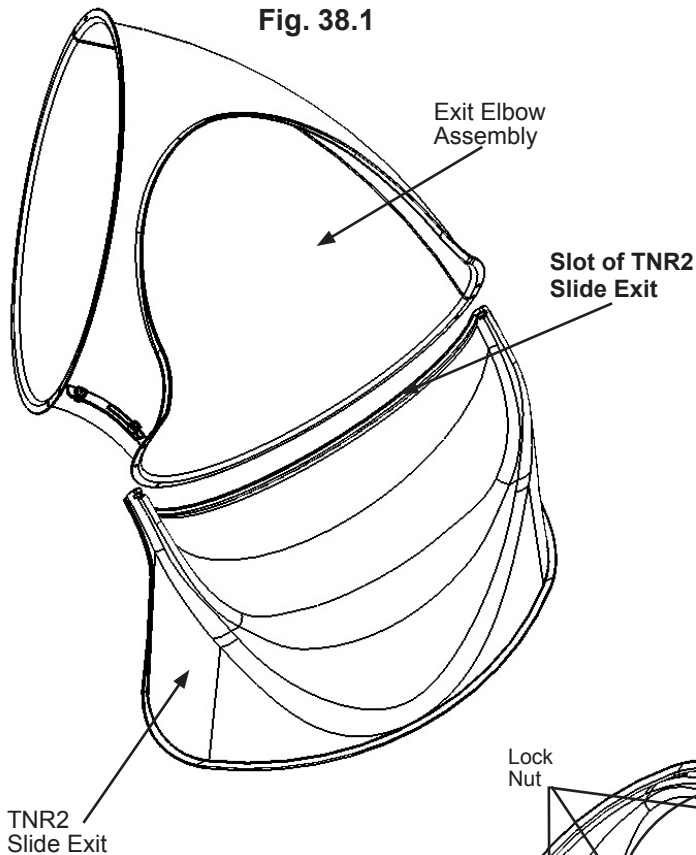


Fig. 38.1

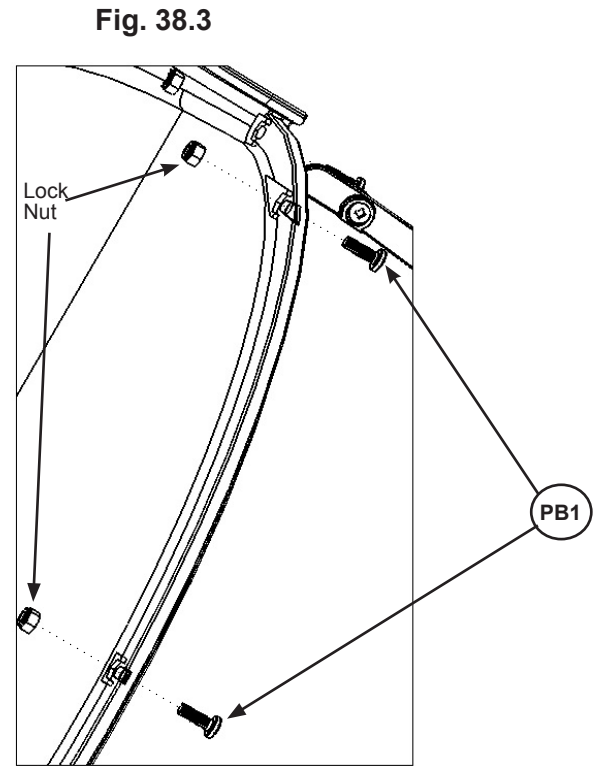
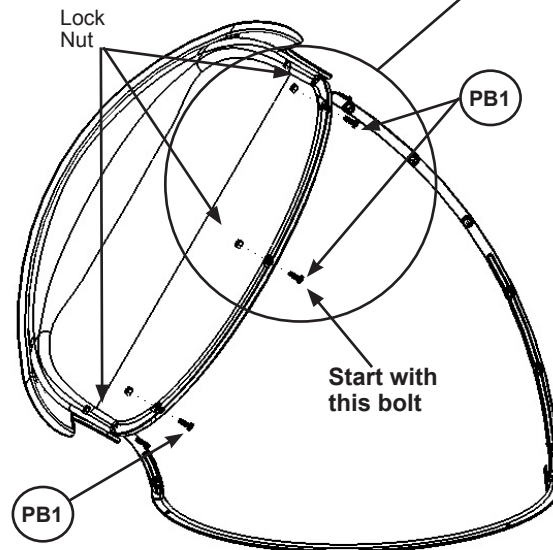


Fig. 38.3

Fig. 38.2



Bottom of Slide Views

Hardware

5 x **(PB1)** 1/4 x 3/4" Pan Bolt
(1/4" lock nut)

Other Parts

1 x TNR2 Slide Exit

Step 39: Attach Exit End Assembly to Fort



A: Fit the Exit End Assembly to the last Elbow Assembly by lining up the arrows on each assembly. Notice the elbow orientation. (fig. 39.1). Attach with 6 (1/4 x 12.7)mm Pan Bolts and Square Lock Nuts. (fig. 39.2)

Fig. 39.1

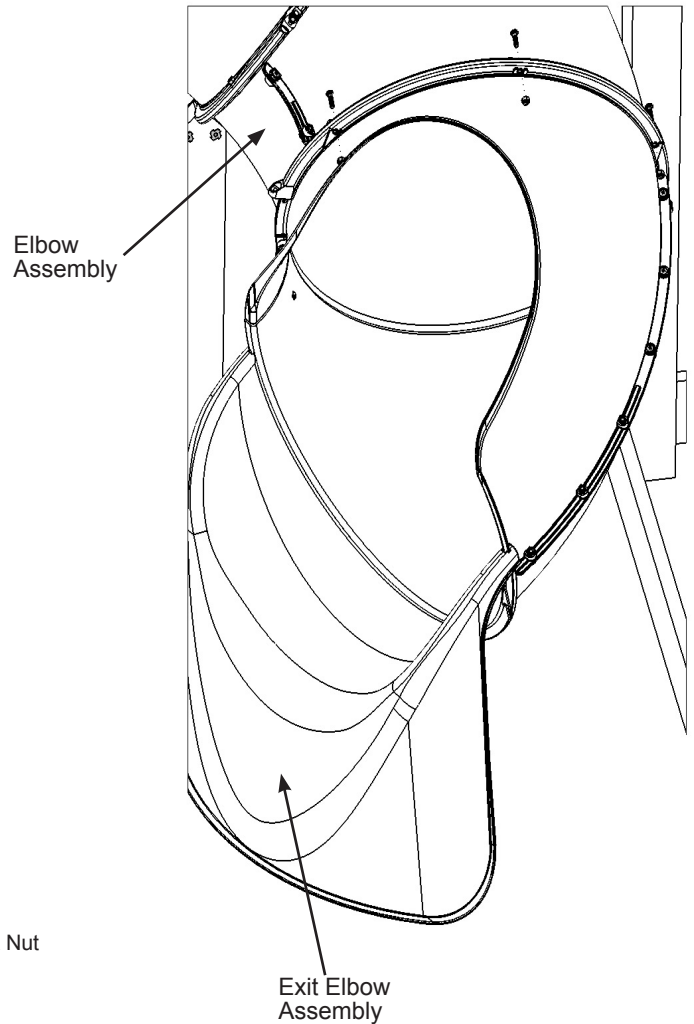
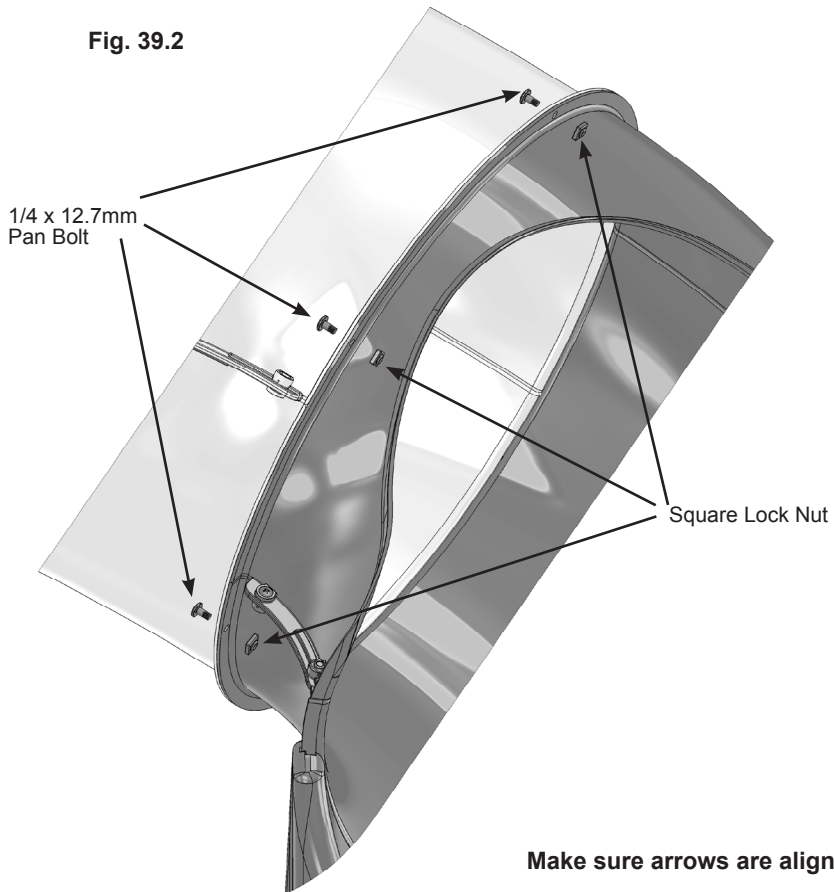


Fig. 39.2



Make sure arrows are aligned

Other Parts

- 6 x 1/4" x 12.7mm Pan Bolt
- 6 x 1/4" Square Lock Nut



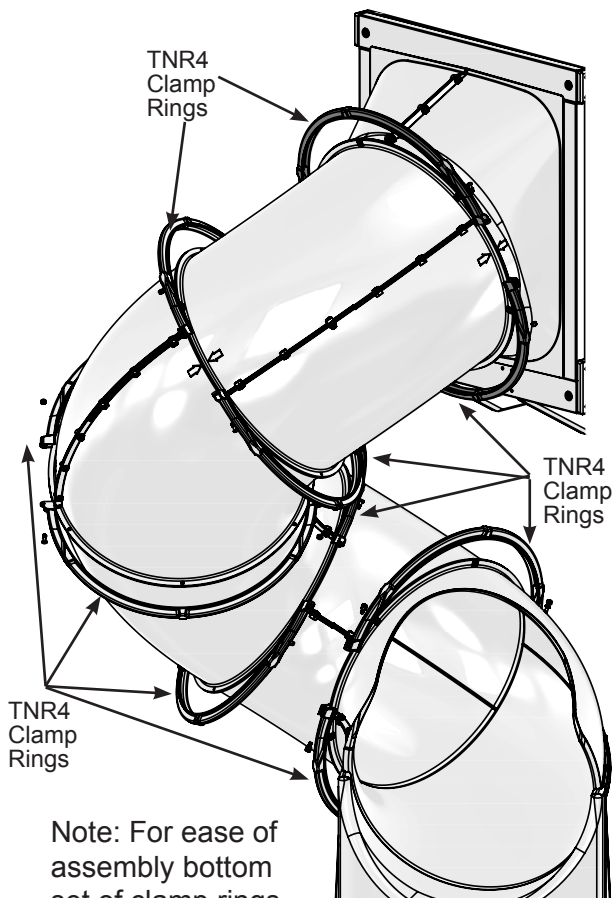
Step 40: Attach TNR 4 Clamp Rings

A: Place 2 TNR4 Clamp Rings around each joint making sure to match the arrows with the end of the Clamp Ring as shown in (fig. 40.1 & 40.2).

B: Connect TNR4 Clamp Rings in 2 spots using 1 (PB6) 1/4 x 1" Pan Bolt (with lock nut) per side. (fig. 40.3)

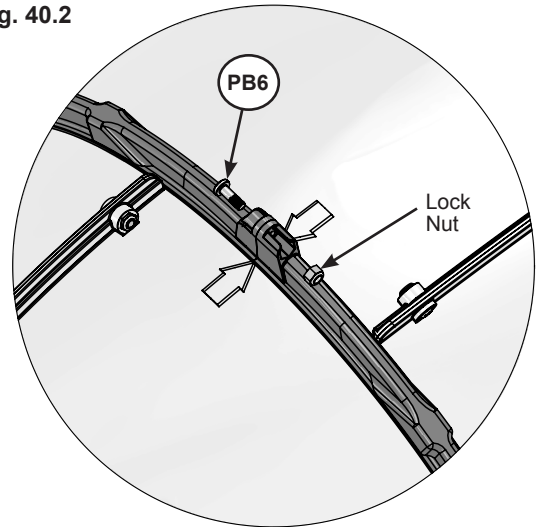
Note: When installing Pan Bolts make sure to look at holes so bolts go through the side with the round recess and the lock nuts go through the side with the hexagonal recess.

Fig. 40.1



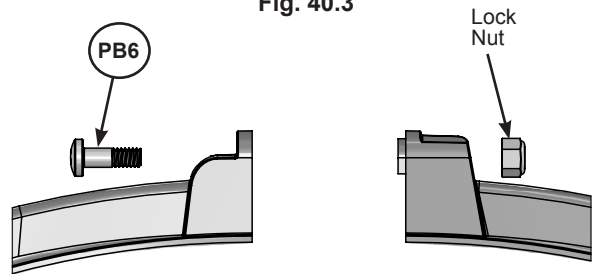
Note: For ease of assembly bottom set of clamp rings can be rotated 90 degrees to install bolts.

Fig. 40.2




Make sure arrows are aligned

Fig. 40.3



After the clamp rings are attached to the elbows, fasten them end to end with two pan bolts and lock nuts

Hardware

10 x  1/4 x 1" Pan Bolt (1/4" lock nut)

Other Parts

10 x TNR4 Clamp Ring



Step 41: Attach TNR2 Slide Support

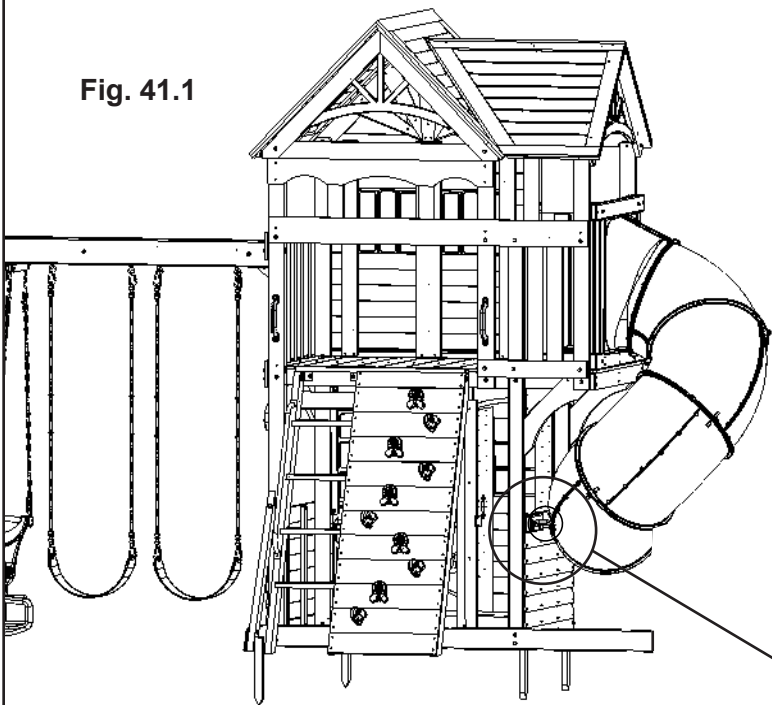
A: On the fourth Elbow Assembly attached remove the pan bolt and nut which is facing the fort (installed in Step 35). (fig. 41.1) **The bolt will no longer be needed, but keep the lock nut.**

B: Loosely attach TNR2 Slide Support (at the slightly bent end) to the Clamp Ring using 1 (PB6) 1/4 x 1" Pan Bolt (with flat washer and the previously removed lock nut). (fig. 41.2)

C: Rotate TNR2 Slide Support and attach to (2428) SL Block using 1 (S6) #12 x 1" Pan Screw as shown in fig. 41.2.

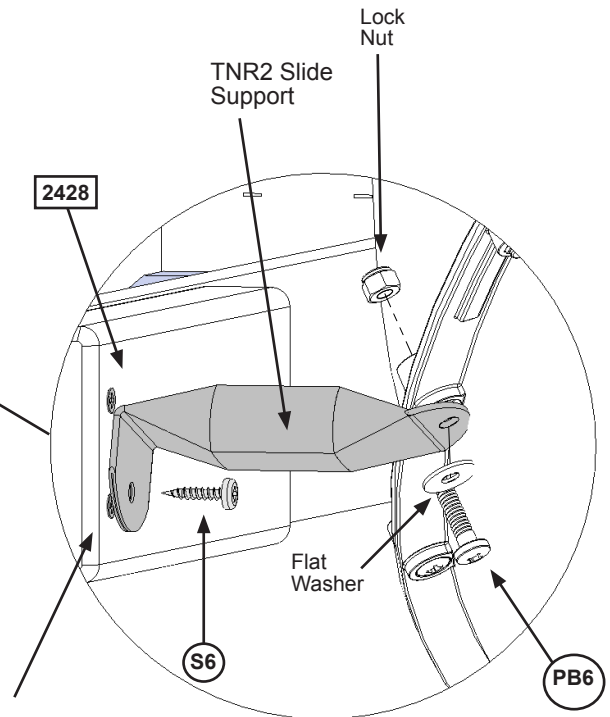
D: Fully tighten screw and bolt.

Fig. 41.1



Remove PB1 (1/4 x 3/4" Pan Bolt first then install PB6 (1/4 x 1" Pan Bolt with flat washer)

Fig. 41.2



Note: Flat end down

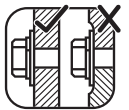
Hardware

- 1 x (S6) #12 x 1" Pan Screw
- 1 x (PB6) 1/4 x 1" Pan Bolt (1/4" flat washer & 1/4" lock nut - previously removed)

Other Parts

- 1 x TNR2 Slide Support

Step 42: Attach SL Support to Ground Back



- A:** Loosely attach (1450) SL Support to (2342) Ground Back using 1 (H2) 1/4 x 2" Hex Bolt (with flat washer, lock washer and t-nut) in the top hole and 1 (S15) #8 x 1-3/4" Wood Screw in the bottom hole. (fig. 42.1 and 42.2)
- B:** Place 1 TNR4 Post Mount Clamp on either side of the Clamp Ring so that the bent tops clip in behind the Clamp Ring. (fig. 42.1 & 42.3)
- C:** Insert the TNR4 Post Mount Base in between the 2 Post Mount Clamps and screw all pieces together using 1 1/4 x 14.5mm Pan Head Bolt and Square Nylock Nut.(fig. 42.1 & 42.3)
- D:** Attach TNR4 Post Mount Base to (1450) SL Support, pre-drill with a 1/8" drill bit then attach with 2 (S6) #12 x 1" Pan Screws. (fig. 42.1 & 42.3)
- E:** Attach the Post Mount Clamp to the clamp ring using 1 (S37) #7 x 5/8" Pan Screw. (fig. 42.1 & 42.3)
- F:** Tighten all the bolts and the screw from this step.

Fig. 42.1

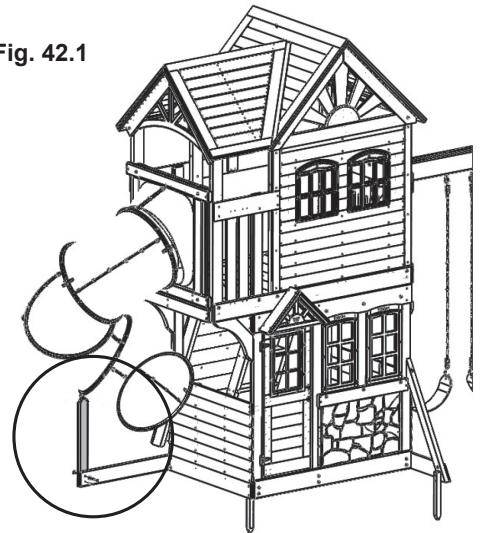


Fig. 42.2

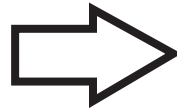
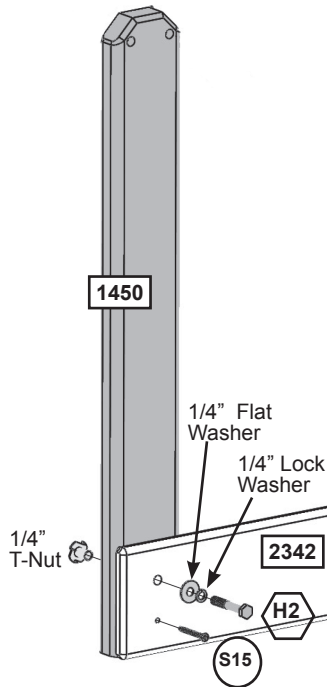
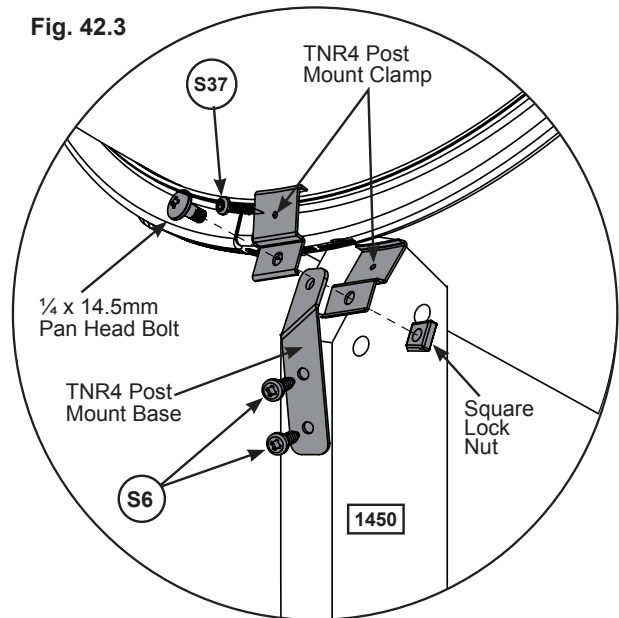


Fig. 42.3



Wood Parts

1 x 1450 SL Support 2 x 4 x 26-1/4"

Hardware

- 1 x S15 #8 x 1-3/4" Wood Screw
- 1 x H2 1/4 x 2" Hex Bolt (1/4" flat washer, 1/4" lock washer, 1/4" t-nut)
- 2 x S6 #12 x 1" Pan Screw
- 1 x S37 #7 x 5/8" Pan Screw

Other Parts

- 2 x TNR4 Post Mount Clamp
- 1 x TNR 4 Post Mount Base
- 1 x 1/4 x 14.5 mm Pan Head Bolt
- 1 x Square Lock Nut

Step 43: Attach Ground Stake to SL Support



A: In the spot shown in fig. 43.1 drive 1 (0318) Ground Stake 10-1/2" into the ground against the (2342) Ground Back at (1450) SL Support. Attach using 2 (S3) #8 x 2-1/2" Wood Screws. (fig. 43.2)

⚠WARNING: To prevent tipping and avoid potential injury, stakes must be driven 10-1/2" into ground. Digging or driving stakes can be dangerous if you do not check first for underground wiring, cables or gas lines.

Fig. 43.1

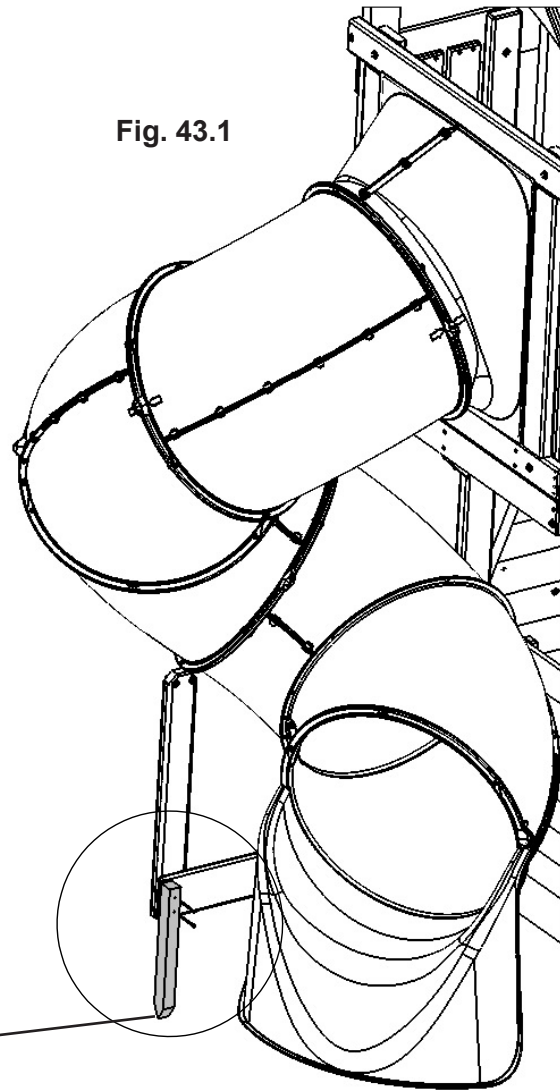
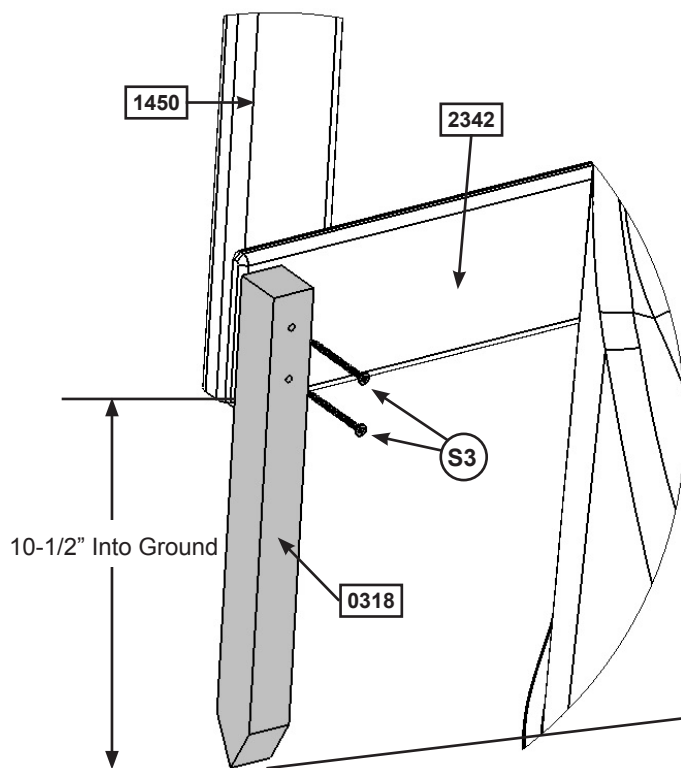


Fig. 43.2



⚠WARNING: Check entire play centre for bolts protruding beyond T-Nuts. Use extra washers to eliminate this condition.

Wood Parts

1 x 0318 Ground Stake 1-1/4 x 1-1/2 x 14"

Hardware

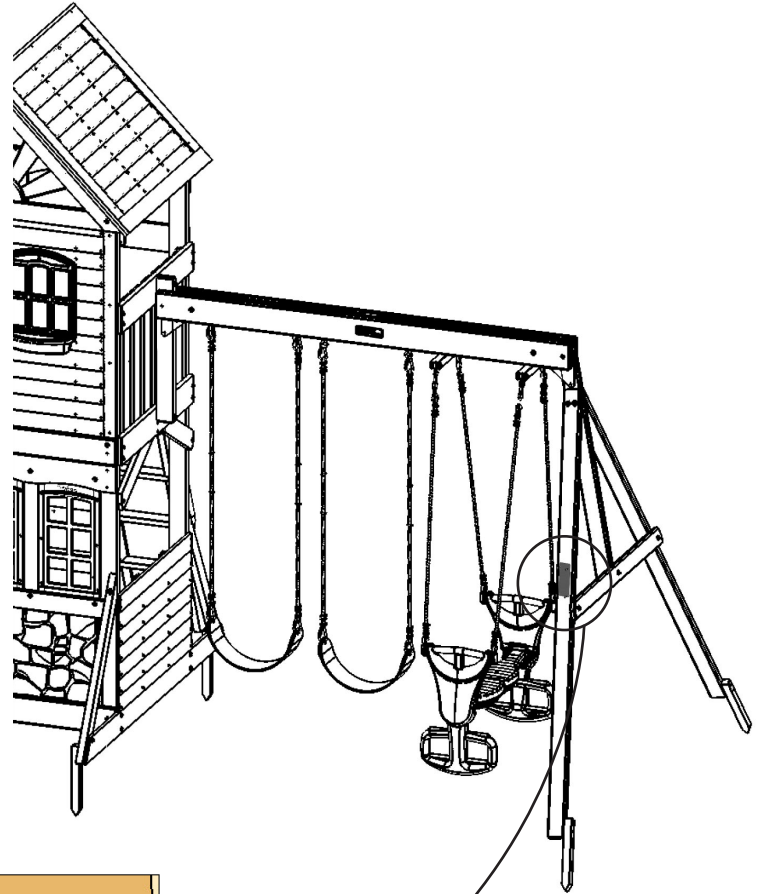
2 x S3 #8 x 2-1/2" Wood Screw



Final Step: Attach I.D. Plaque

ATTACH THIS WARNING & I.D. PLAQUE TO THIS LOCATION ON YOUR PLAY EQUIPMENT!

This provides warnings concerning safety and important contact information. A Tracking Number is provided to allow you to get critical information or order replacement parts for this specific model.



WARNING
AVERTISSEMENT

CONTINUOUS ADULT SUPERVISION REQUIRED!

STRANGULATION HAZARDS
Never allow children to play with ropes, clotheslines, pet leashes, cables, chains or cord-like items when using this playset or to attach these items to playset.
Never allow children to wear loose fitting clothing, ponchos, hoods, scarves, capes, necklaces, or items with draw-strings, cords or ties when using this playset.
Never allow children to wear bike or sport helmets when using this playset.
Failure to prohibit these items increases the risk of serious injury and death to children from entanglement and strangulation.

SERIOUS HEAD INJURY HAZARD
Maintain shock absorbing material under and around playset as recommended in the Installation & Operating Instructions. Installation over concrete, asphalt, dirt, grass, carpet and other hard surfaces creates a risk of serious injury or death from falls to the ground.

SURVEILLANCE CONSTANTE D'ADULTES EST REQUIS!

Risques D'étranglement
Ne jamais laisser les enfants jouer avec des cordes, cordes à linge, laisses pour animaux, des câbles, des chaînes ou ces type articles pendant de l'utilisation de cet portique de jeu ou à l'attaché de ces éléments à la portique de jeu.
Ne jamais laissez les enfants de porter des vêtements amples, des ponchos, des hottes, des foulards, capes, des colliers ou des articles avec cordes attirent ou les cordons pendant l'utilisation de cet portique de jeu.
Ne jamais laissez les enfants porter un casque de vélo ou de sport quand ils utilisent ce portique de jeu.
Défaut d'interdire ces éléments augmente le risque de blessures graves et de décès des enfants de enchevêtrement et d'étranglement.

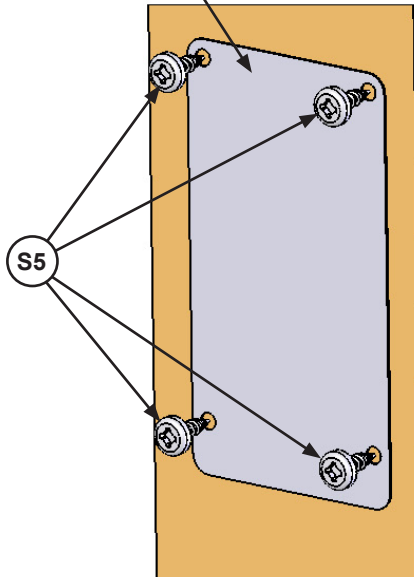
RISQUE DE BLESSURES GRAVES DU TÊTE
Maintenir le matériau absorbant les chocs sous et autour de la portique de jeu comme recommandé dans les Instructions d'installation. Installation sur béton, de l'asphalte, sol, de l'herbe, tapis et autres surfaces dure crée un risque de blessure à la tête graves ou la mort causé par tomber à la sol.

THIS PRODUCT IS INTENDED FOR USE BY CHILDREN FROM AGES 3 TO 10; weight limit of 110 lbs. per child. Maximum number of users. Installation & Operating Instructions; other information is available at:
POUR LES ENFANTS DE 3 À 10 ANS D'ÂGE; limite de 110 Livres par enfant, Nombre maximum d'utilisateurs, installation et d'utilisation; d'autres informations sont disponibles sur:

www.KidKraft.com
Contact us at: KidKraft
Dallas, TX 75244 USA
1-800-833-0771

Tracking Number:
Numéro de Suivi:

KidKraft I.D. Plaque



Hardware

4 x **S5** #8 x 1/2" Pan Screw

Other Parts

1 x KidKraft I.D. Plaque

