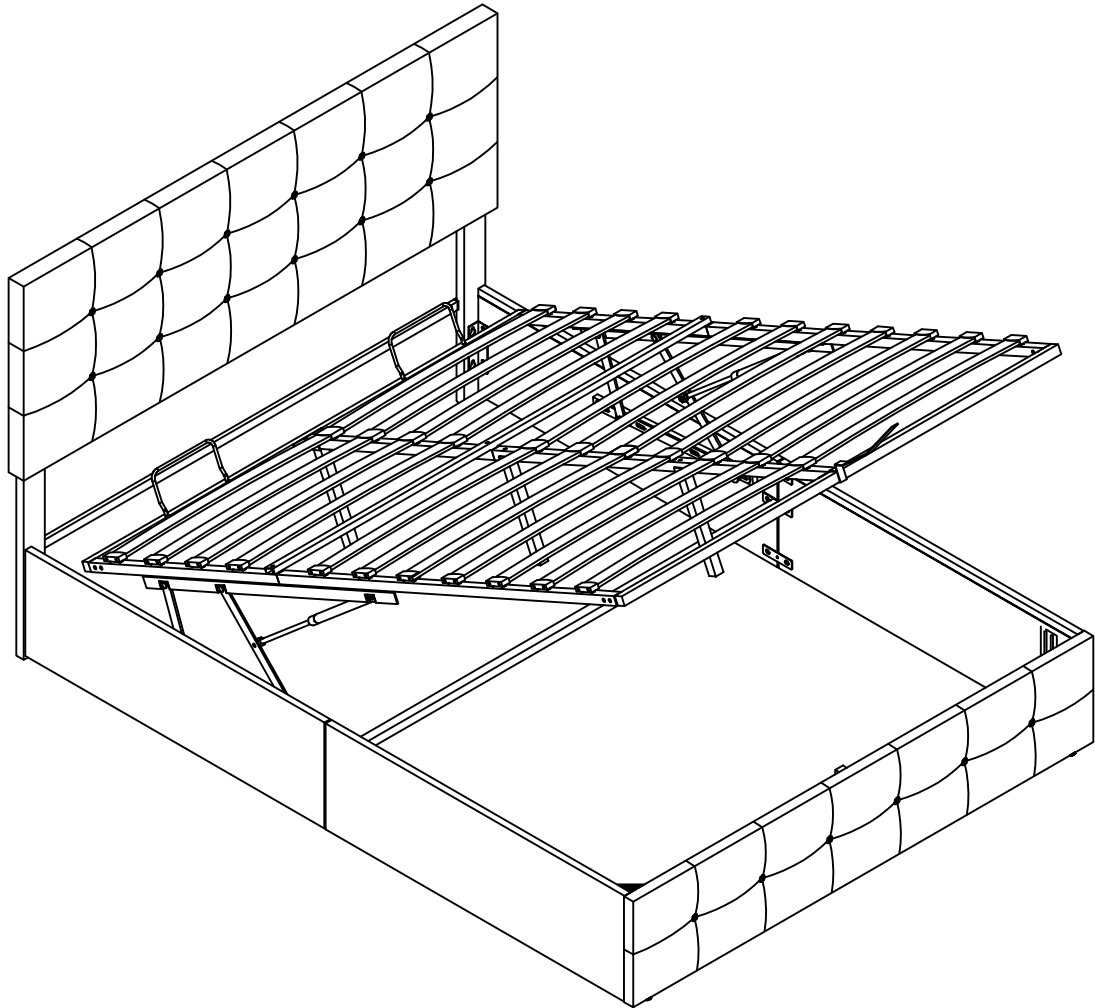


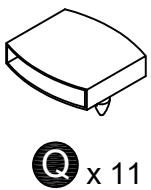
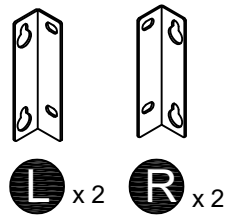
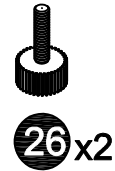
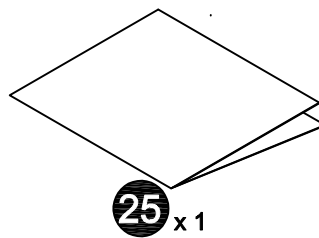
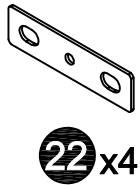
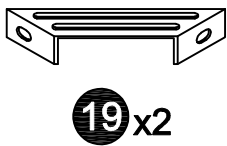
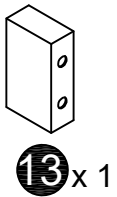
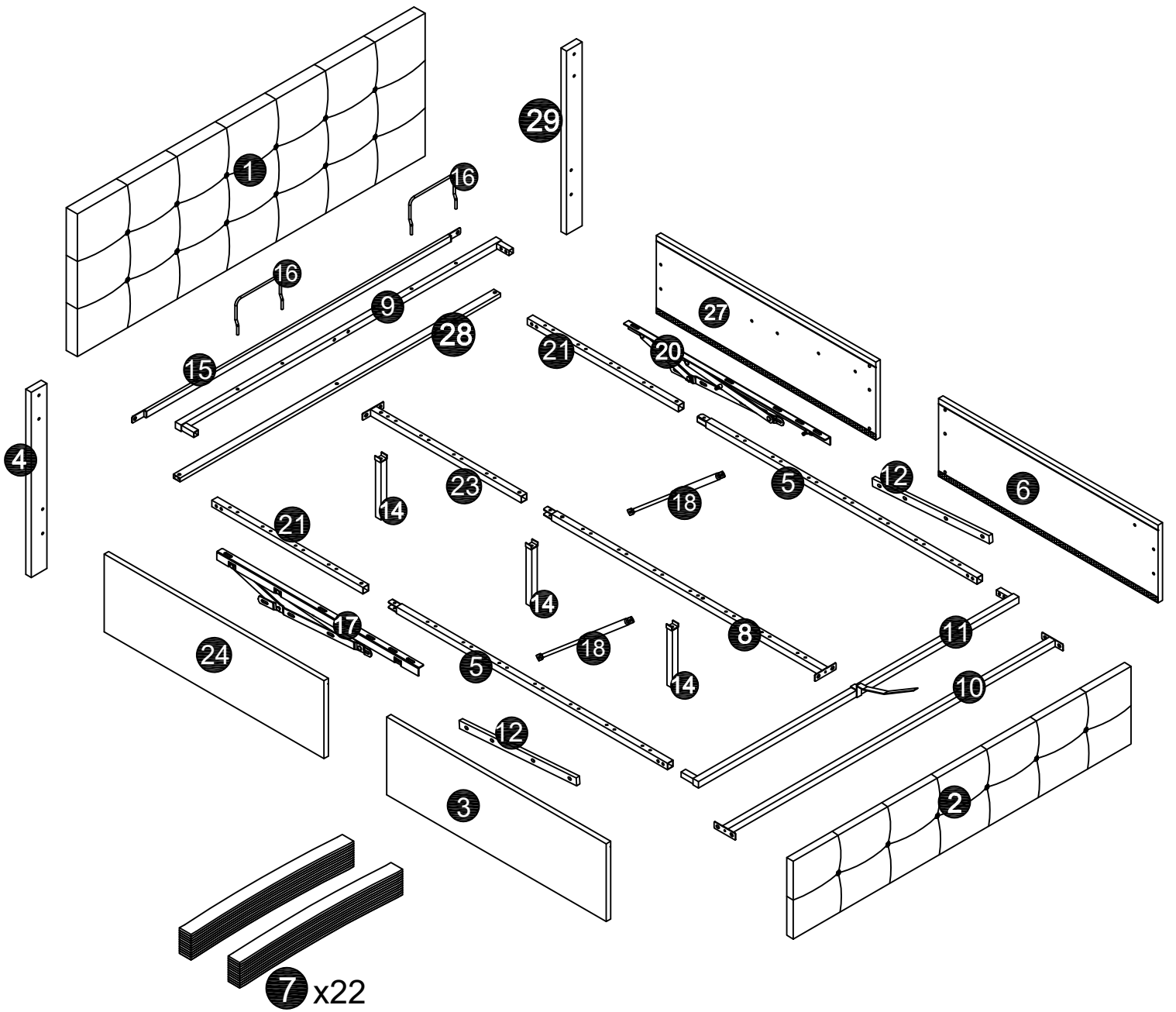
ASSEMBLY INSTRUCTION

N652P277783/652P277784



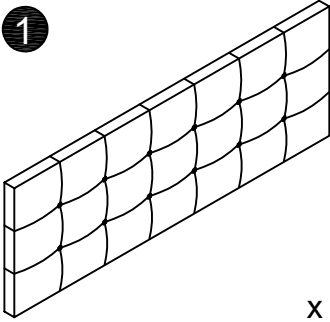
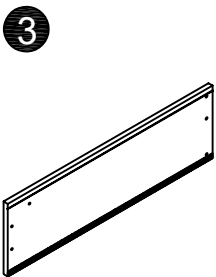
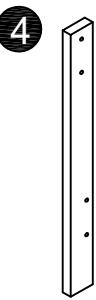
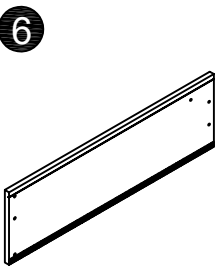
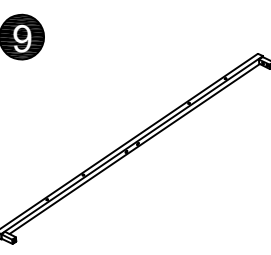
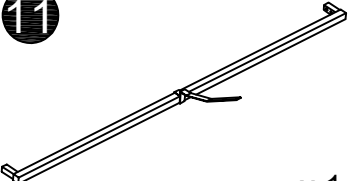
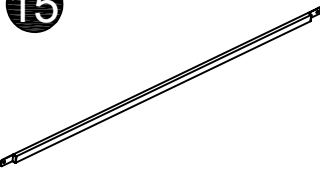
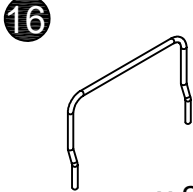
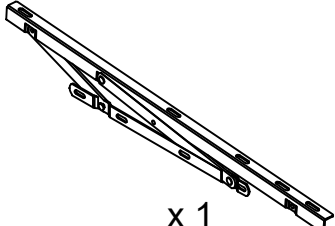
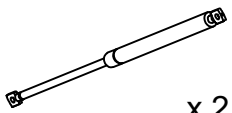
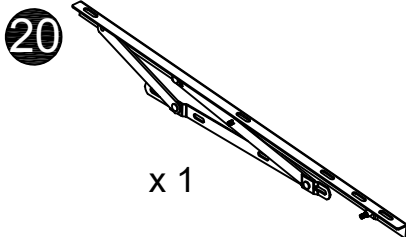
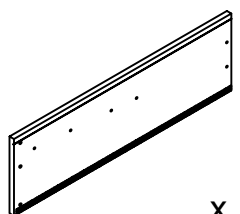
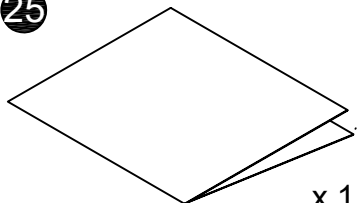
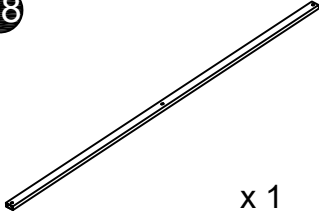
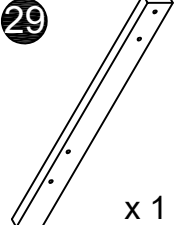
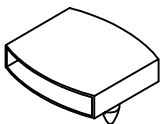
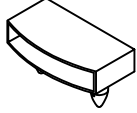
TIPS

1. This product is divided into 2 parcels for delivery. They may not arrive at the same time. Please wait patiently.
2. Please read the instructions fully before assembly. These instructions include important information which could ensure correct assembly. We have been working on providing high quality products for you. However, in the rare instance that your product is defective, missing parts or there are some issues, please don't hesitate to contact our customer service to submit parts requirements, assembly suggestion, or warranty claims, and we will give the best solution as soon as possible. If necessary, we need you to provide some more clear pictures of the issue.
3. Insert the screws in holes and tighten the screws, but not too tight, 70%~80% is ok, finally tighten all the screws. If some issues happened that some screws can not target to the hole or some parts are difficult to install, please adjust the tightness of the screws.
4. 2 people are recommended to finish.









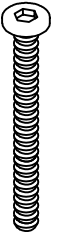



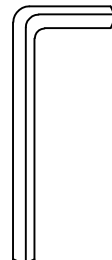
Part list

N652P277783

| | | | | |
|---|--|---|--|--|
|  <p>1 x 1</p> |  <p>3 x 1</p> |  <p>4 x 1</p> |  <p>6 x 1</p> |  <p>9 x 1</p> |
|  <p>11 x 1</p> |  <p>15 x 1</p> |  <p>16 x 2</p> |  <p>17 x 1</p> | |
|  <p>18 x 2</p> |  <p>20 x 1</p> | |  <p>24 x 1</p> | |
|  <p>25 x 1</p> |  <p>28 x 1</p> |  <p>29 x 1</p> |  <p>Q x 11</p> |  <p>S x 22</p> |

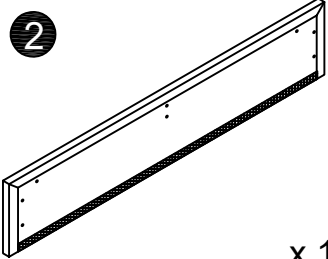
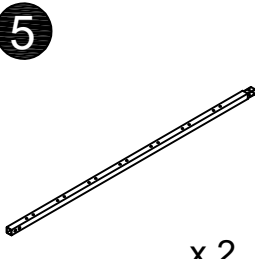
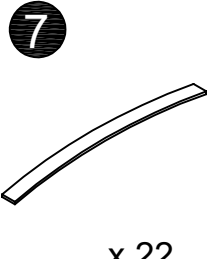
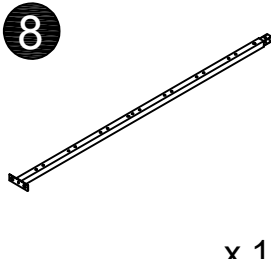
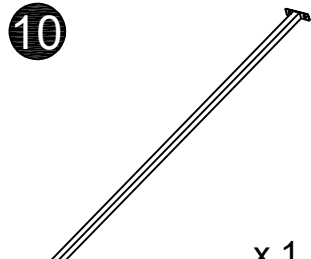
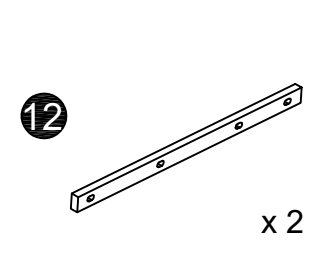
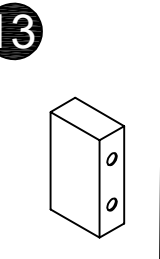
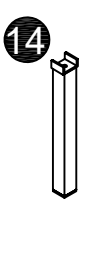
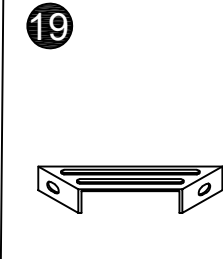
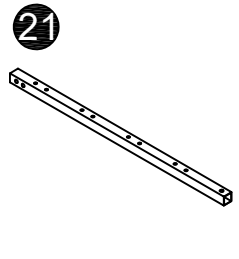
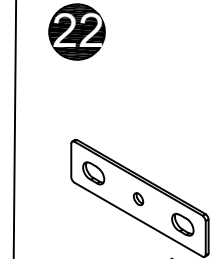
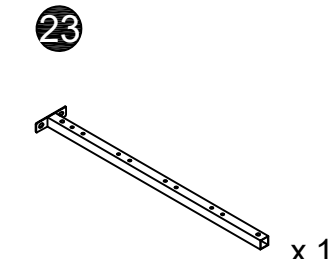
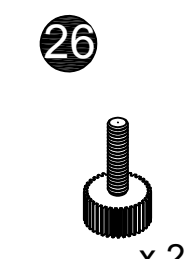
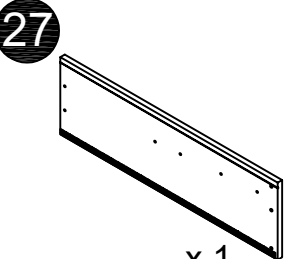
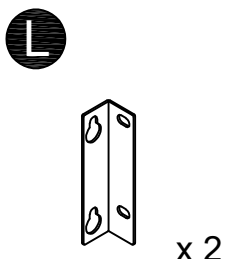
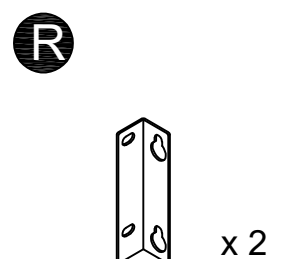
Hardware list

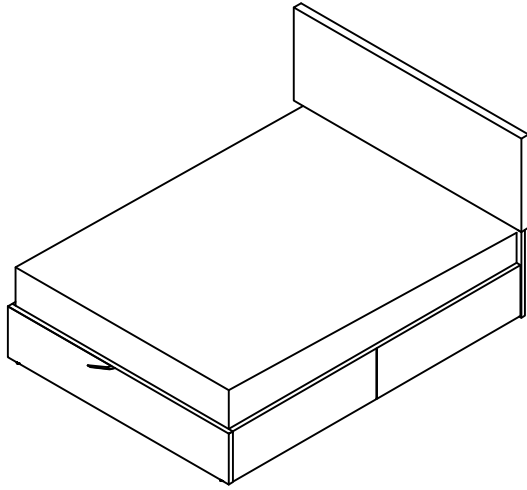
N652P277783

| | | | | | | | | | | | |
|---|--|---|---|--|---|---|---|---|--|--|--|
|  <p>A M8x15 x 39</p> |  <p>B M8x25 x 13</p> |  <p>C M8x45 x 7</p> |  <p>D M8x35 x 8</p> |  <p>E M8 x 4</p> |  <p>F x 8</p> |  <p>G M6x70 x 2</p> |  <p>H M6x20 x 4</p> |  <p>I x 1</p> |  <p>J M6 x 1</p> |  <p>K M8 x 1</p> | |
|---|--|---|---|--|---|---|---|---|--|--|--|

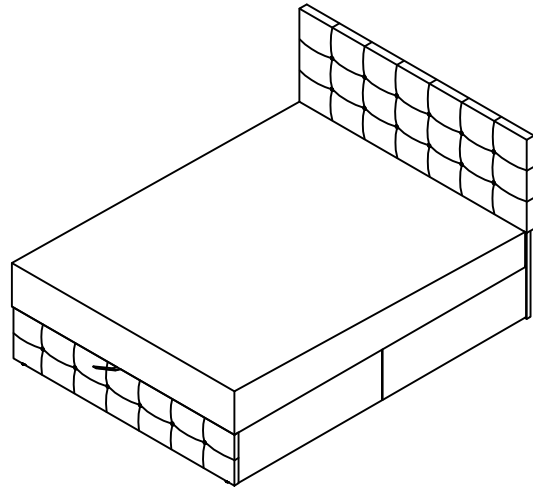
Part list

N652P277784

| | | | | | |
|--|---|---|---|--|--|
|  <p>2</p> <p>x 1</p> |  <p>5</p> <p>x 2</p> |  <p>7</p> <p>x 22</p> |  <p>8</p> <p>x 1</p> |  <p>10</p> <p>x 1</p> | |
|  <p>12</p> <p>x 2</p> |  <p>13</p> <p>x 1</p> |  <p>14</p> <p>x 3</p> |  <p>19</p> <p>x 2</p> |  <p>21</p> <p>x 2</p> |  <p>22</p> <p>x 4</p> |
|  <p>23</p> <p>x 1</p> |  <p>26</p> <p>x 2</p> |  <p>27</p> <p>x 1</p> |  <p>L</p> <p>x 2</p> |  <p>R</p> <p>x 2</p> | |



This product is not suitable for mattress recessed type.



This product is suitable for placing mattresses on the top.

IMPORTANT NOTICE OTTOMAN OPERATING INSTRUCTIONS

Once your bed frame is completely assembled, the slat unit will not operate correctly unless a mattress is placed on the slat frame. Position the mattress on the slat frame whilst it is in the closed position.

PLEASE NOTE - It takes a lot of force to make the initial movement of the ottoman. This is a design feature of the product so that it does not fall shut-the nearer to being closed the ottoman is, the easier it is to move. When the ottoman is almost shut, it will close completely under its own weight.

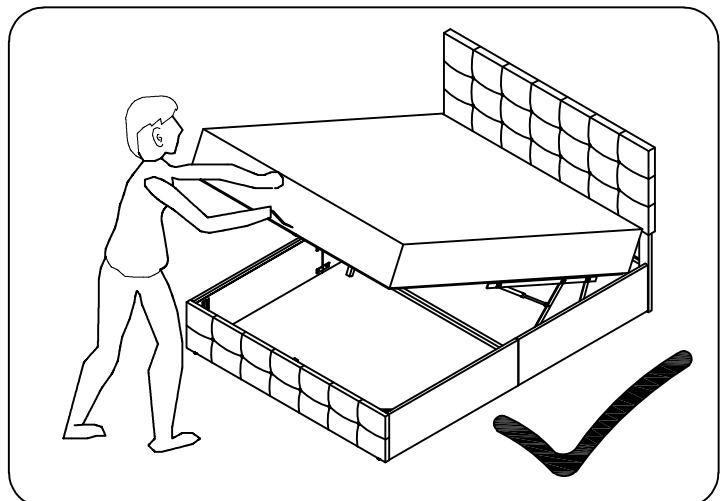
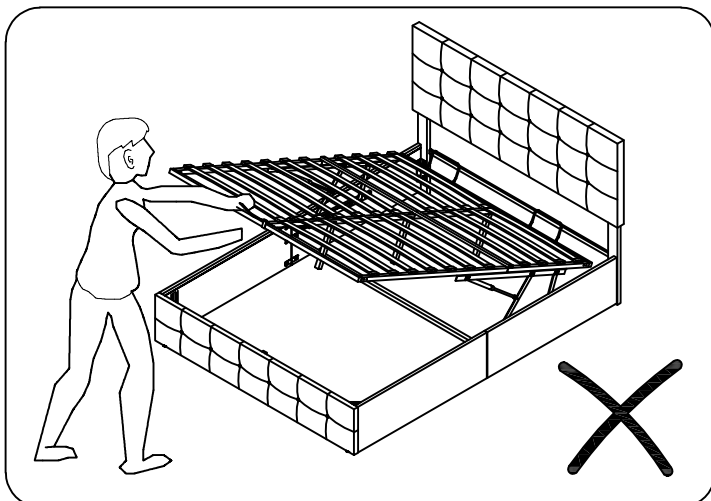
When lowering the slat unit for the first time, take care to make sure it does not rub unevenly on the inside face of the side rails. If it does, the bed has been assembled slightly out of square. This can be rectified by moving the foot end of the bed slightly to the left or right whilst leaving the headend stationary.

PISTONS

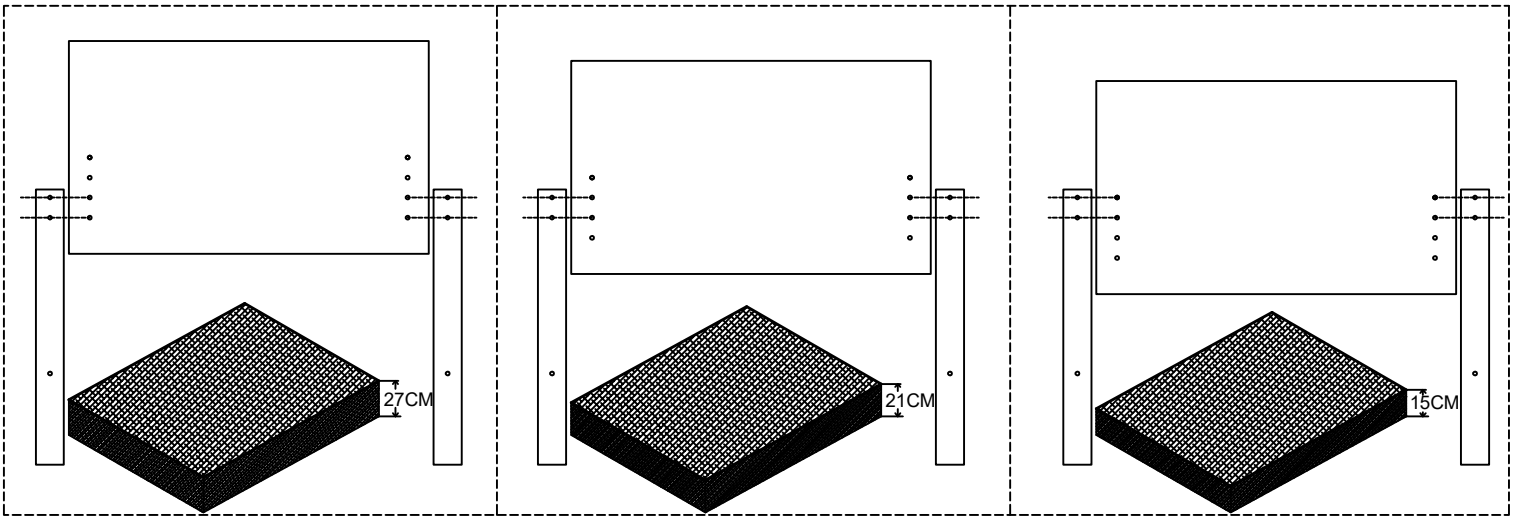
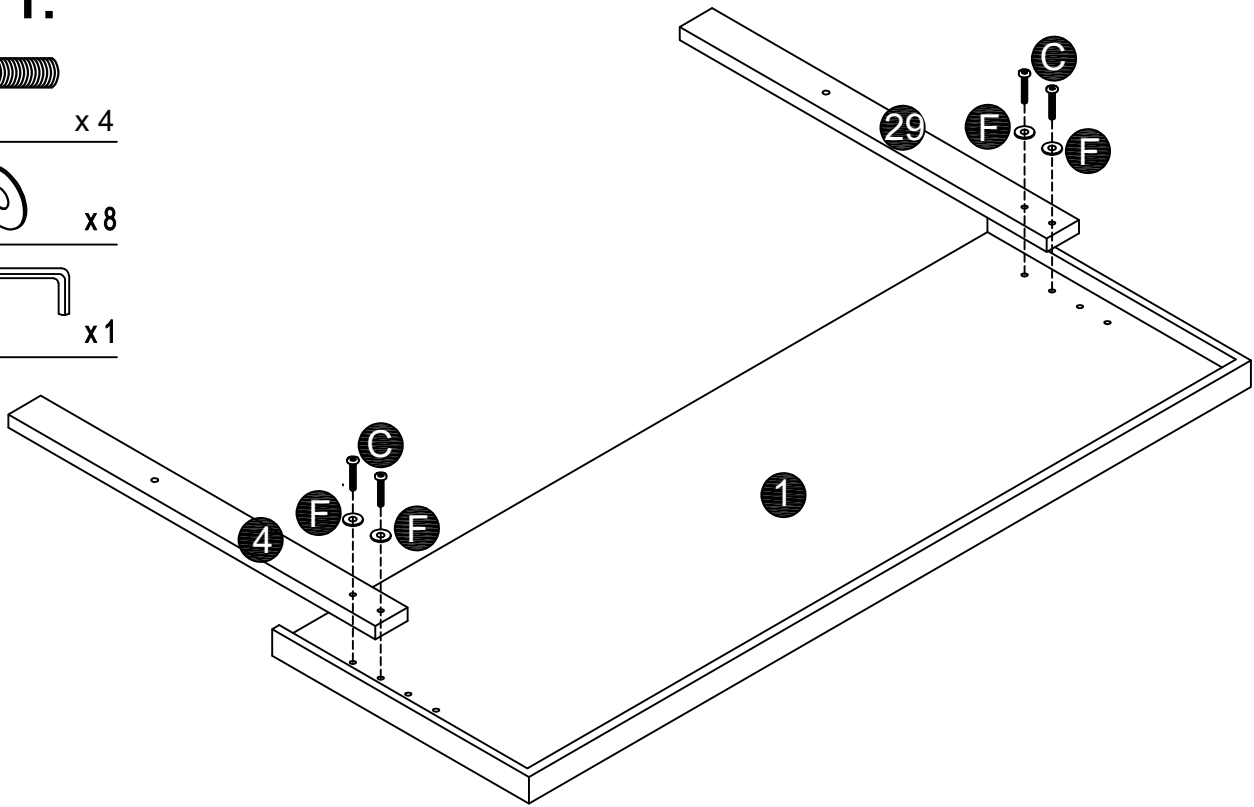
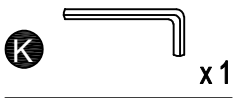
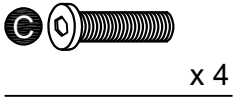
The pistons used in the construction of this product are extremely strong and cannot be operated by hand when taken off the ottoman. All pistons are tested for correct pressure and operation before being attached to the slat unit. Initially it might appear that the pistons are very stiff when opening and closing the ottoman.

THIS IS PERFECTLY NORMAL

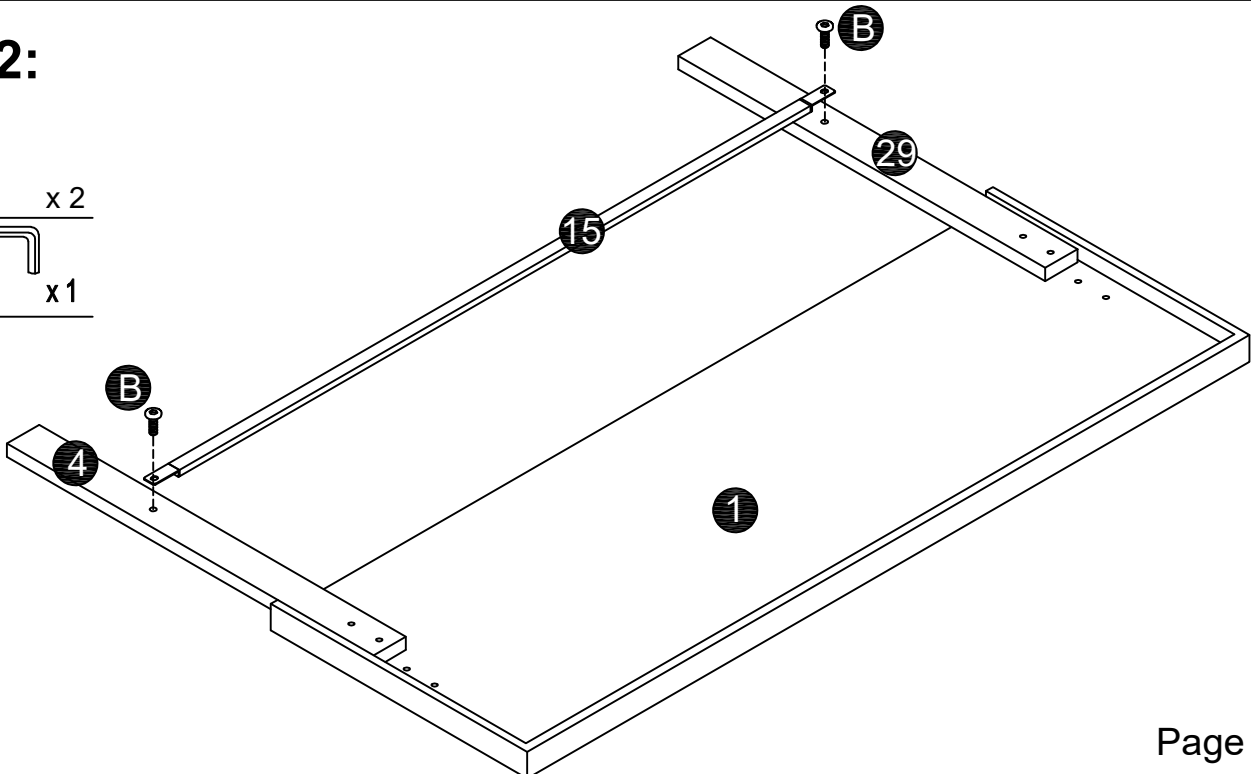
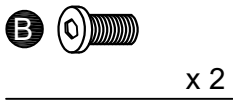
When fully assembled and the mattress is in position, please raise and lower the ottoman 4/5 times to ensure the gas piston are fully lubricated.



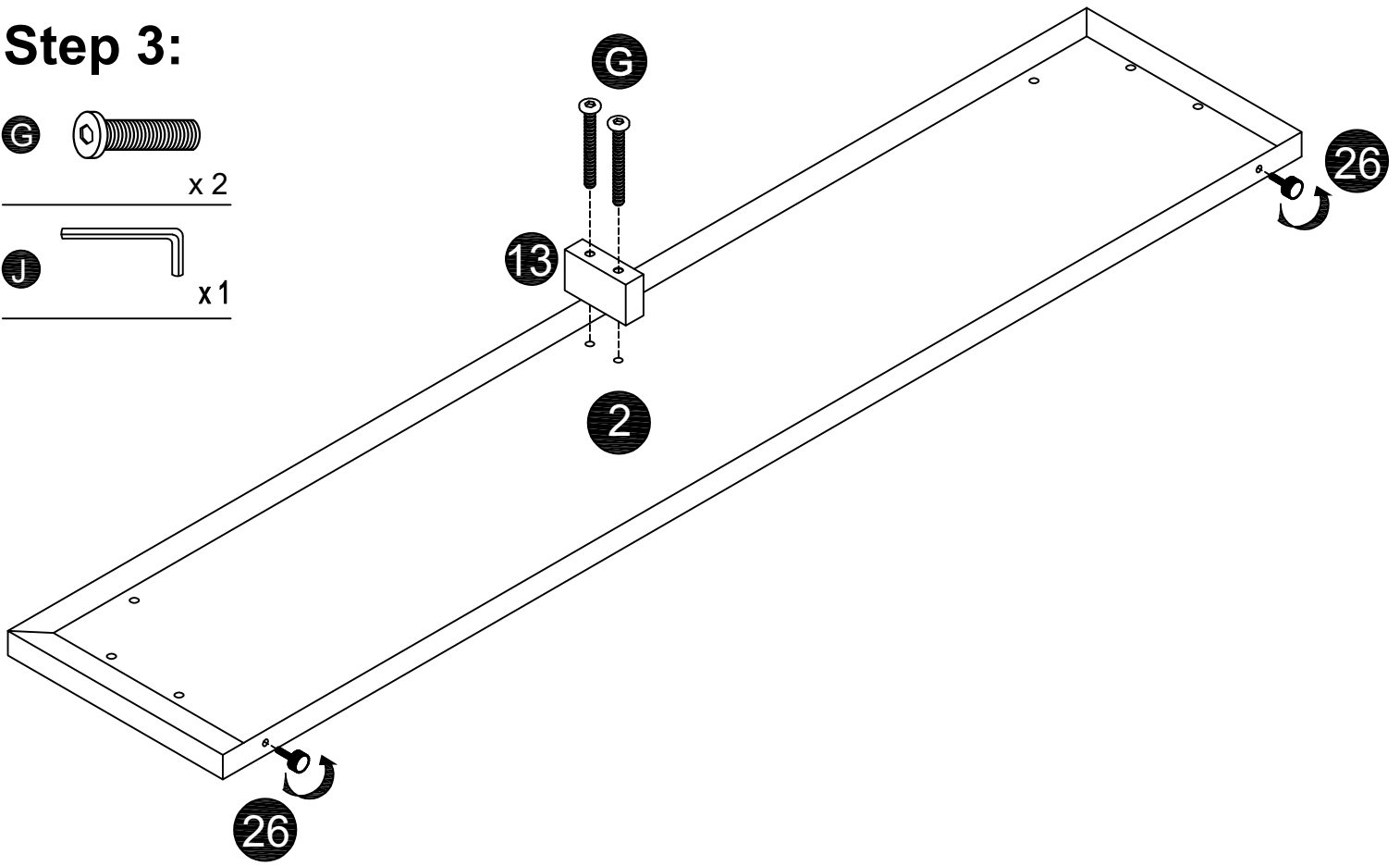
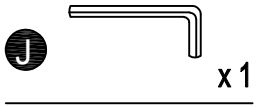
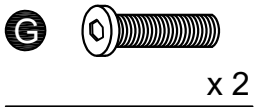
Step 1:



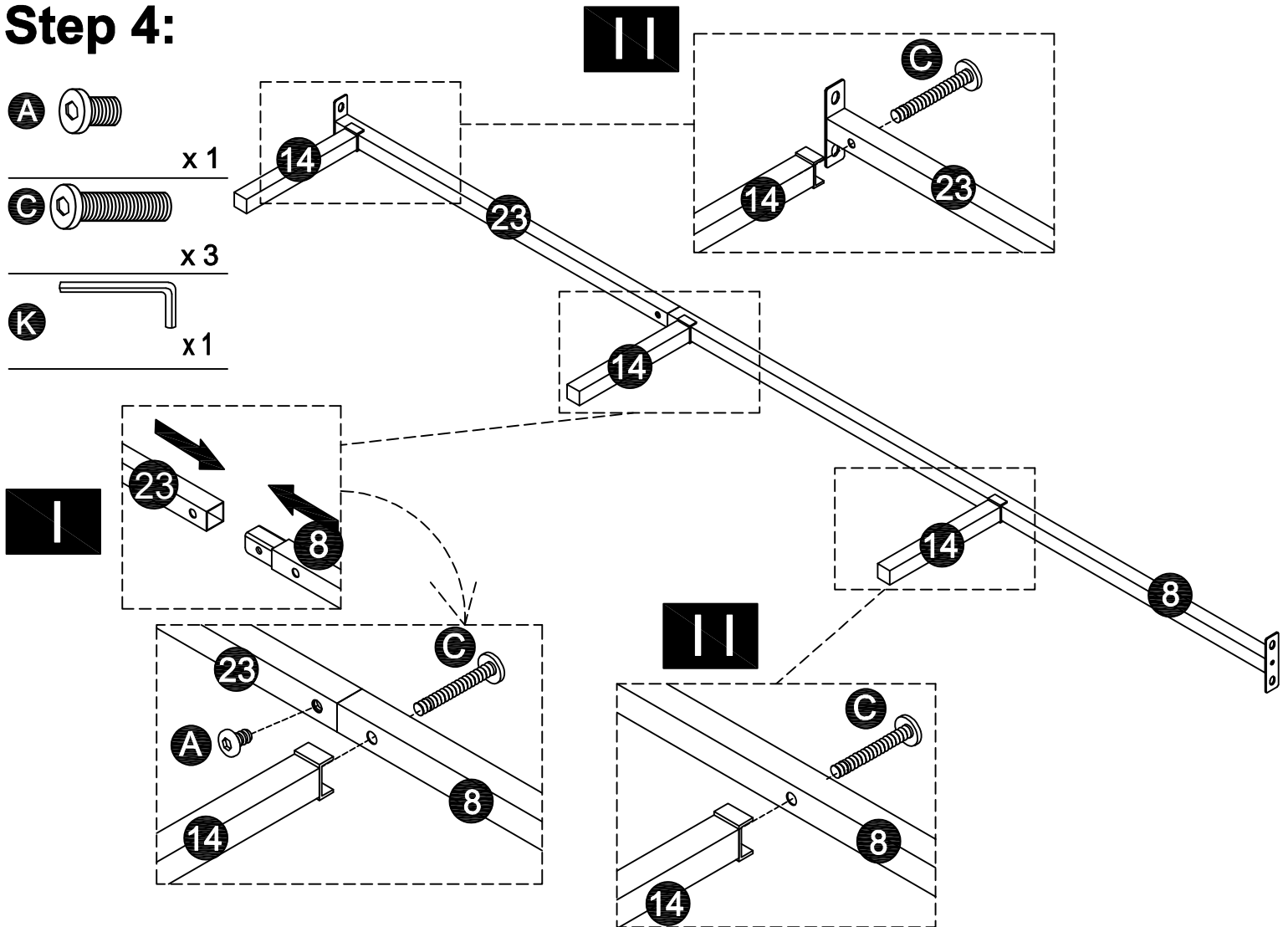
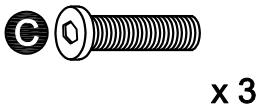
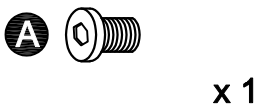
Step 2:



Step 3:



Step 4:



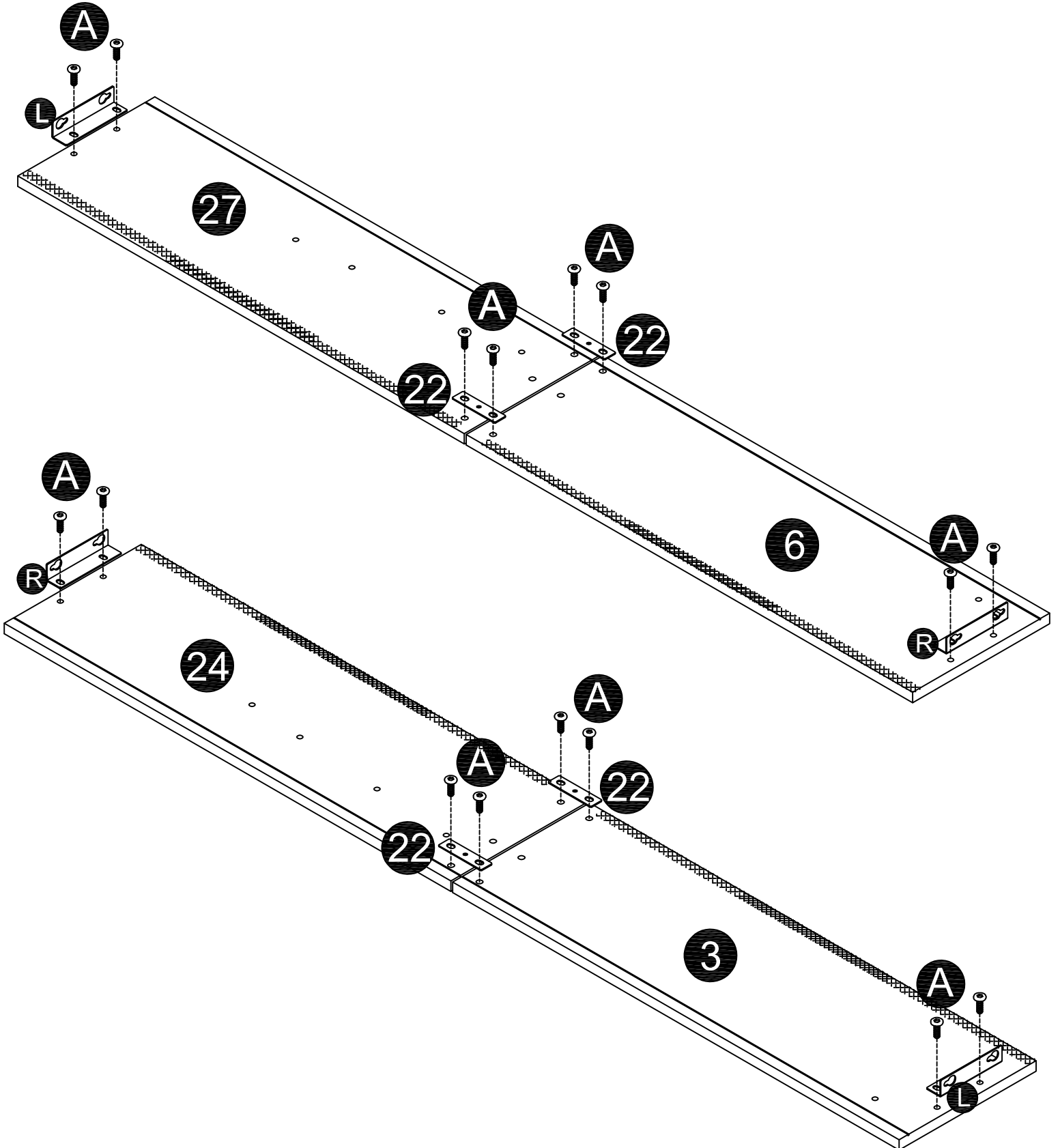
Step 5 :



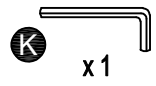
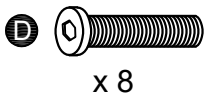
x 16



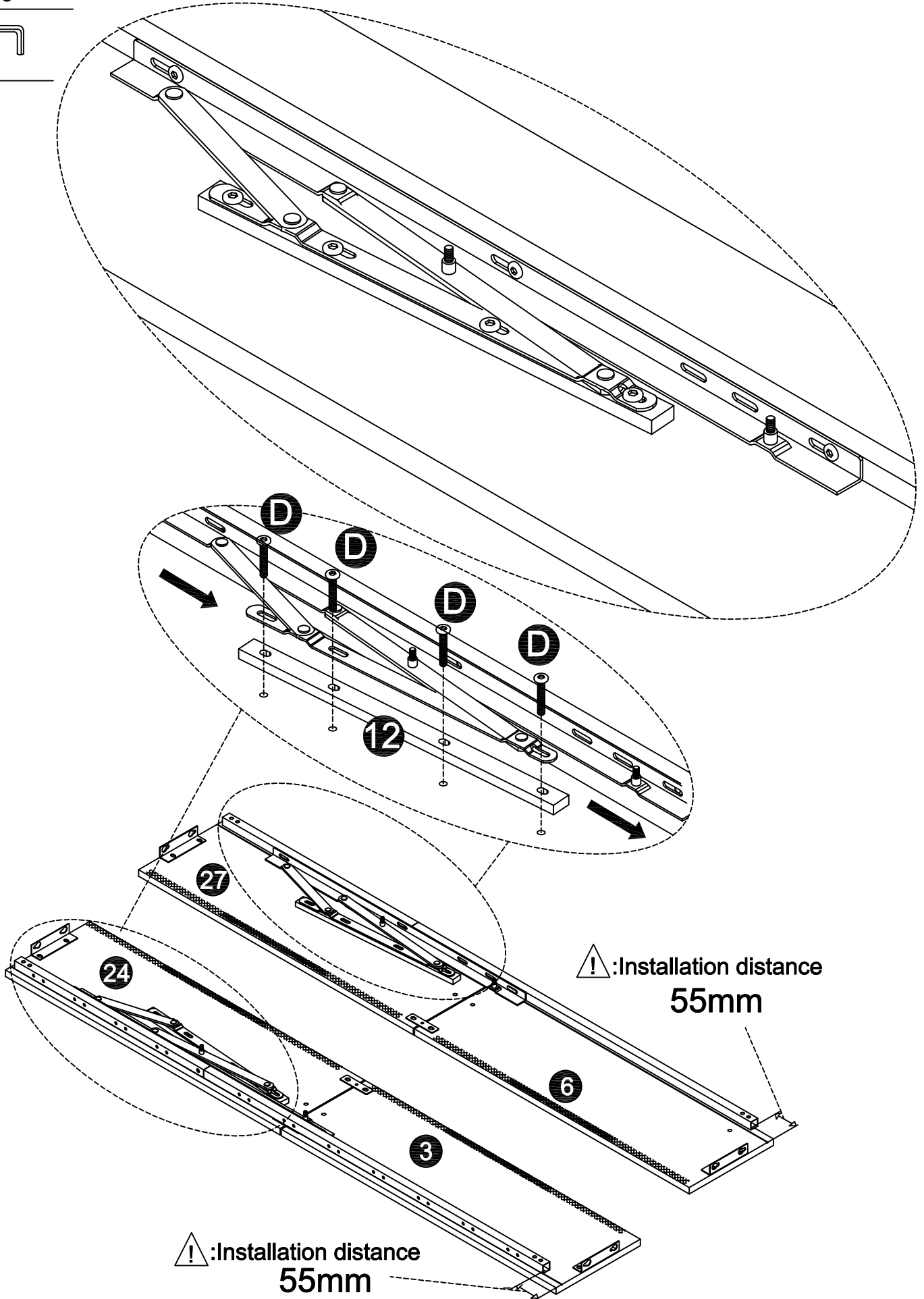
x 1



Step 7:



Installation position diagram



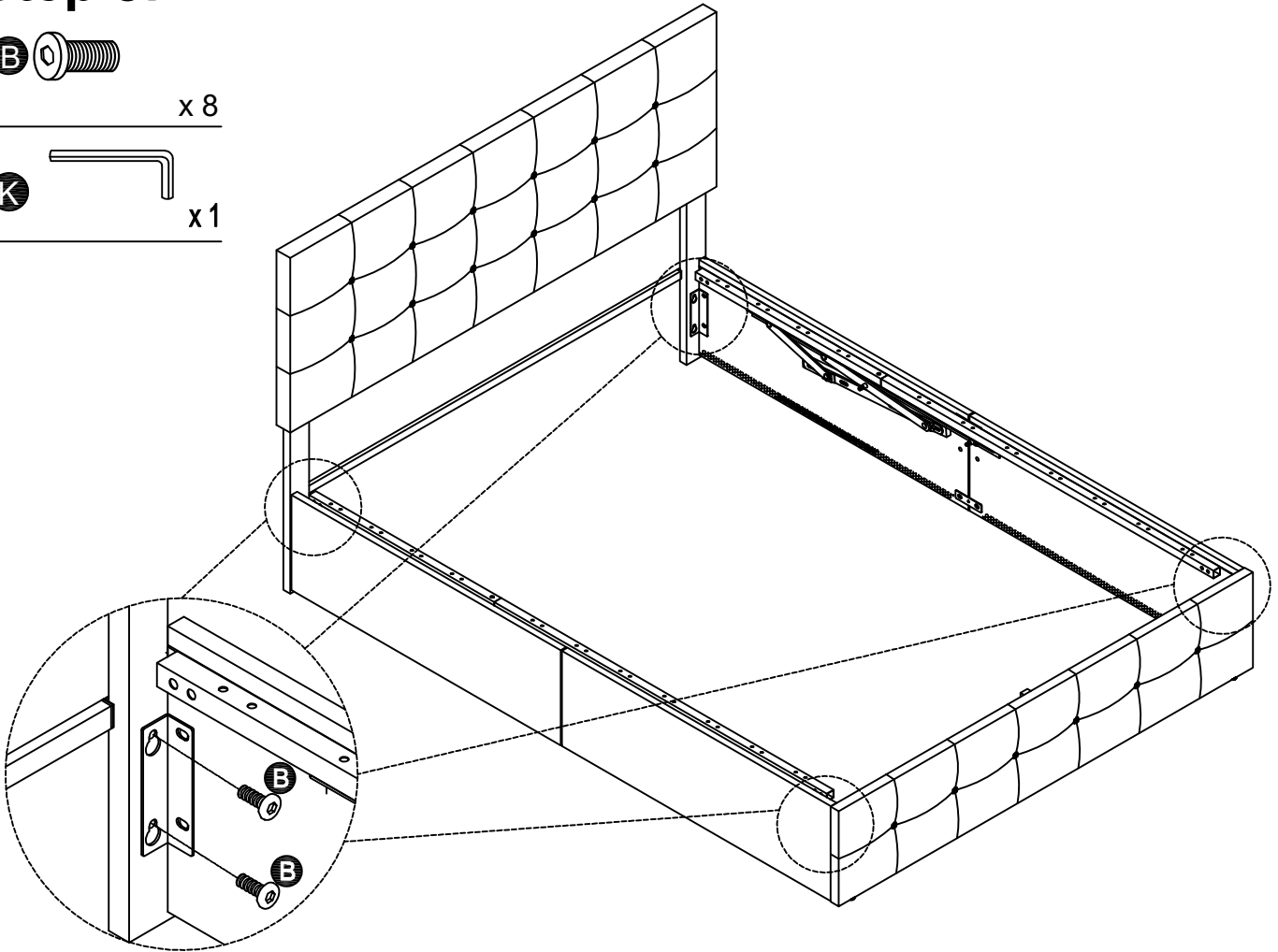
Step 8:



x 8



x 1



Step 9:



x 4



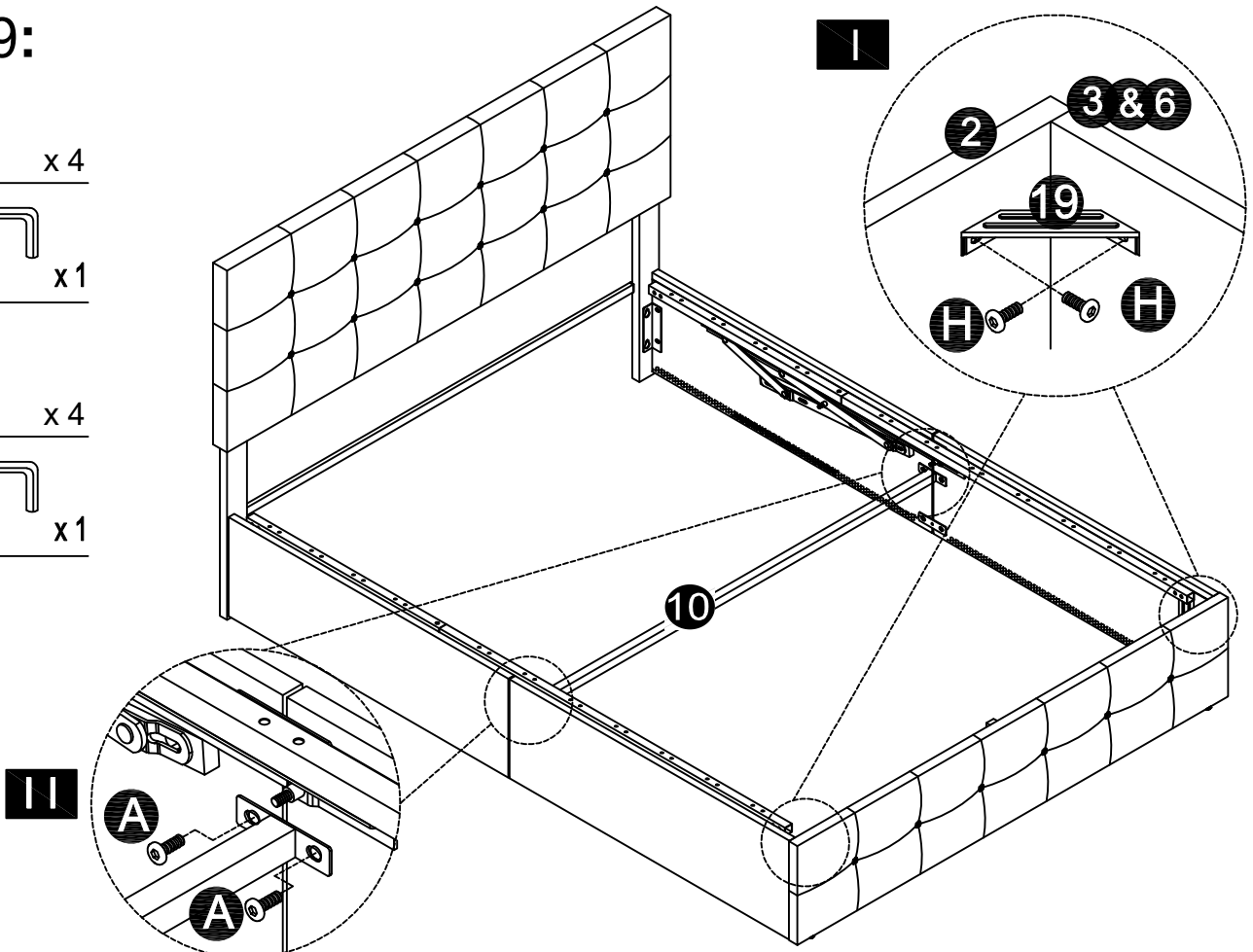
x 1



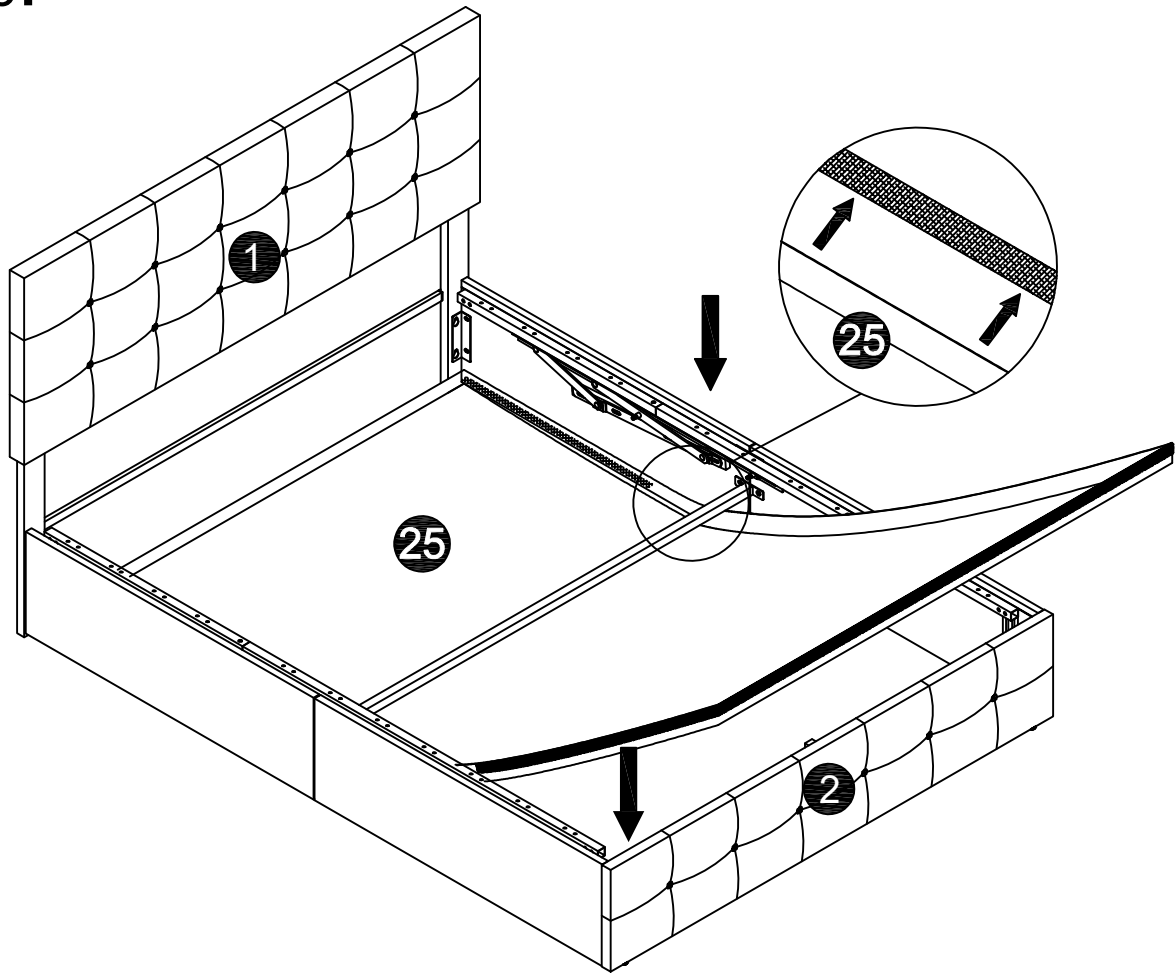
x 4



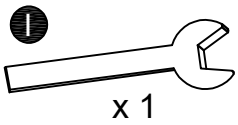
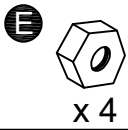
x 1



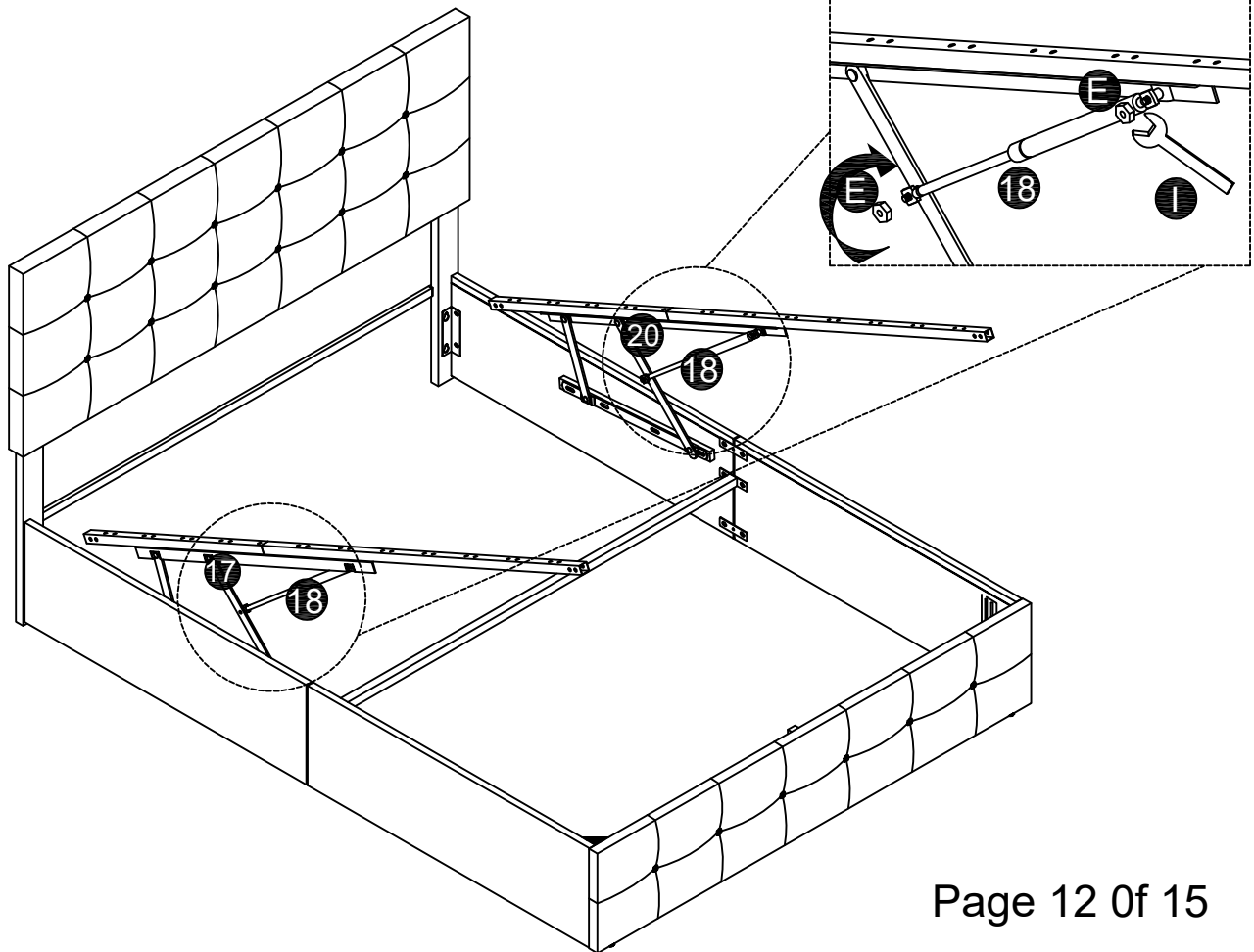
Step 10:



Step 11:



NOTE: Do Not Overtighten



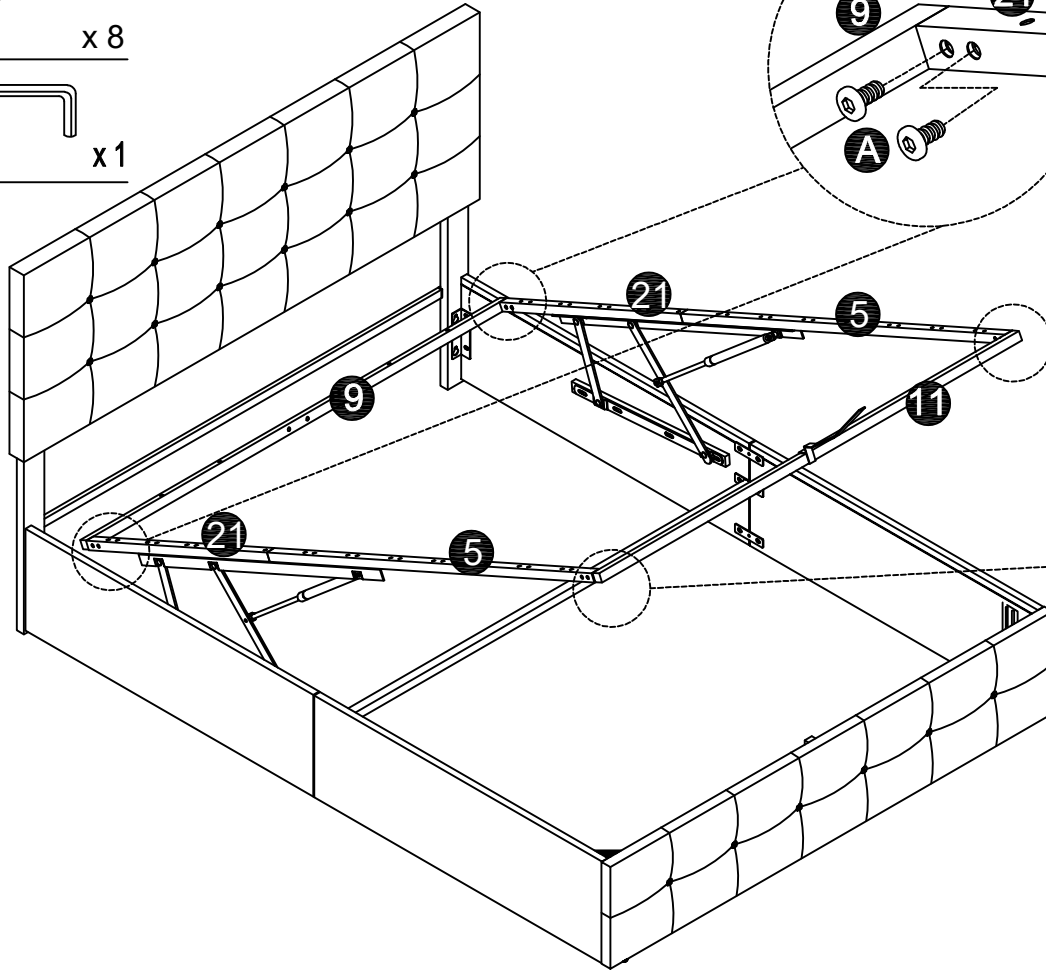
Step 12:



x 8



x 1



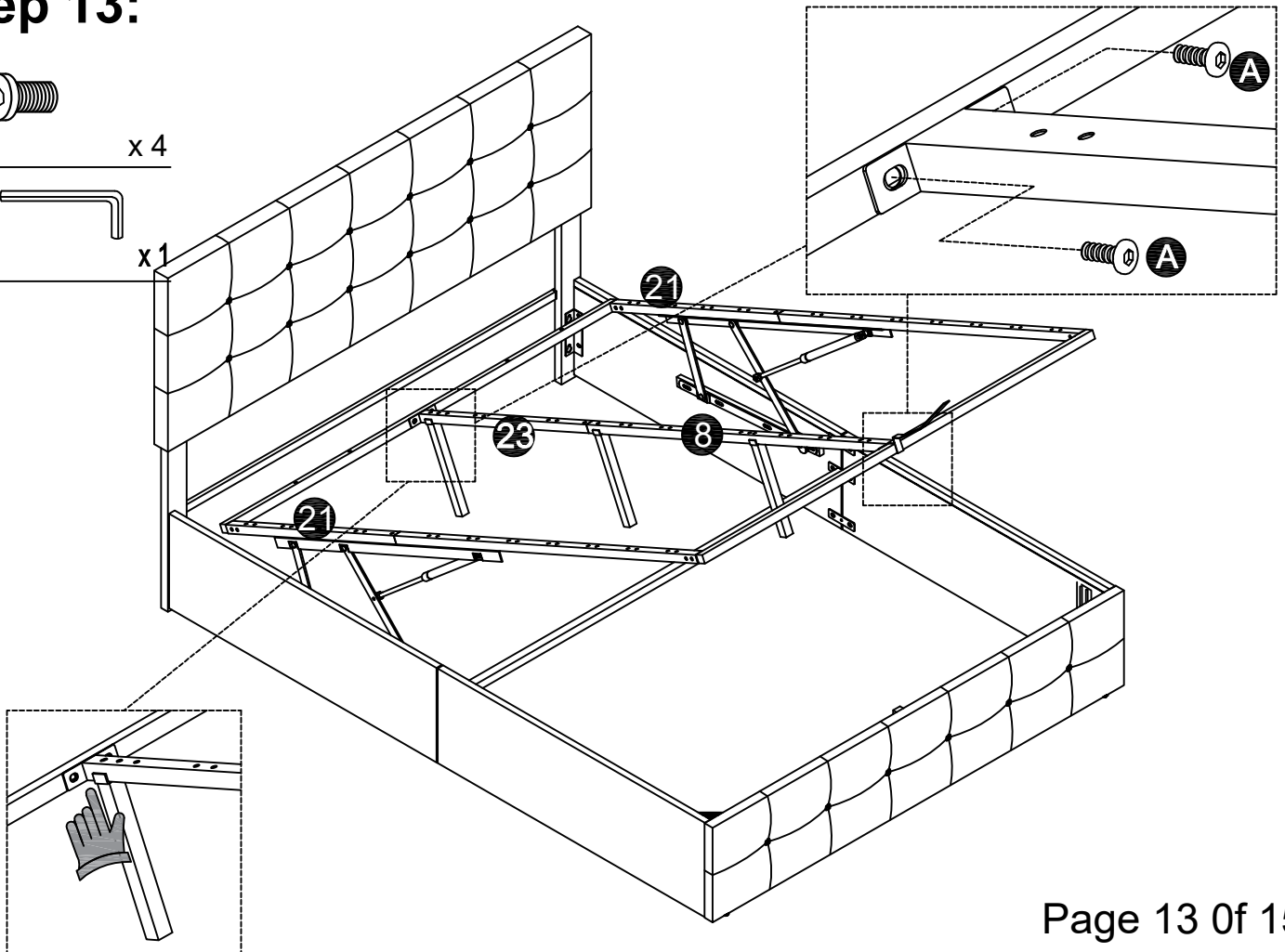
Step 13:



x 4



x 1



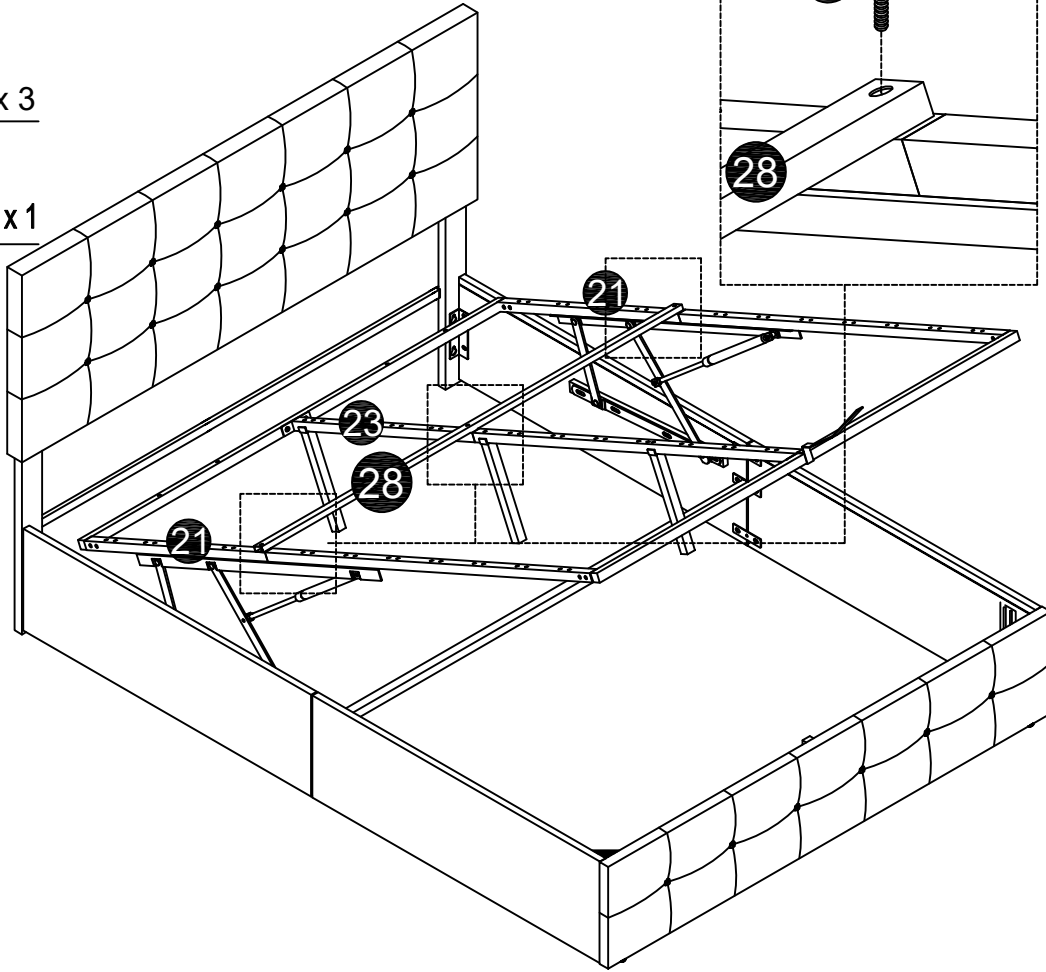
Step 14:



x 3

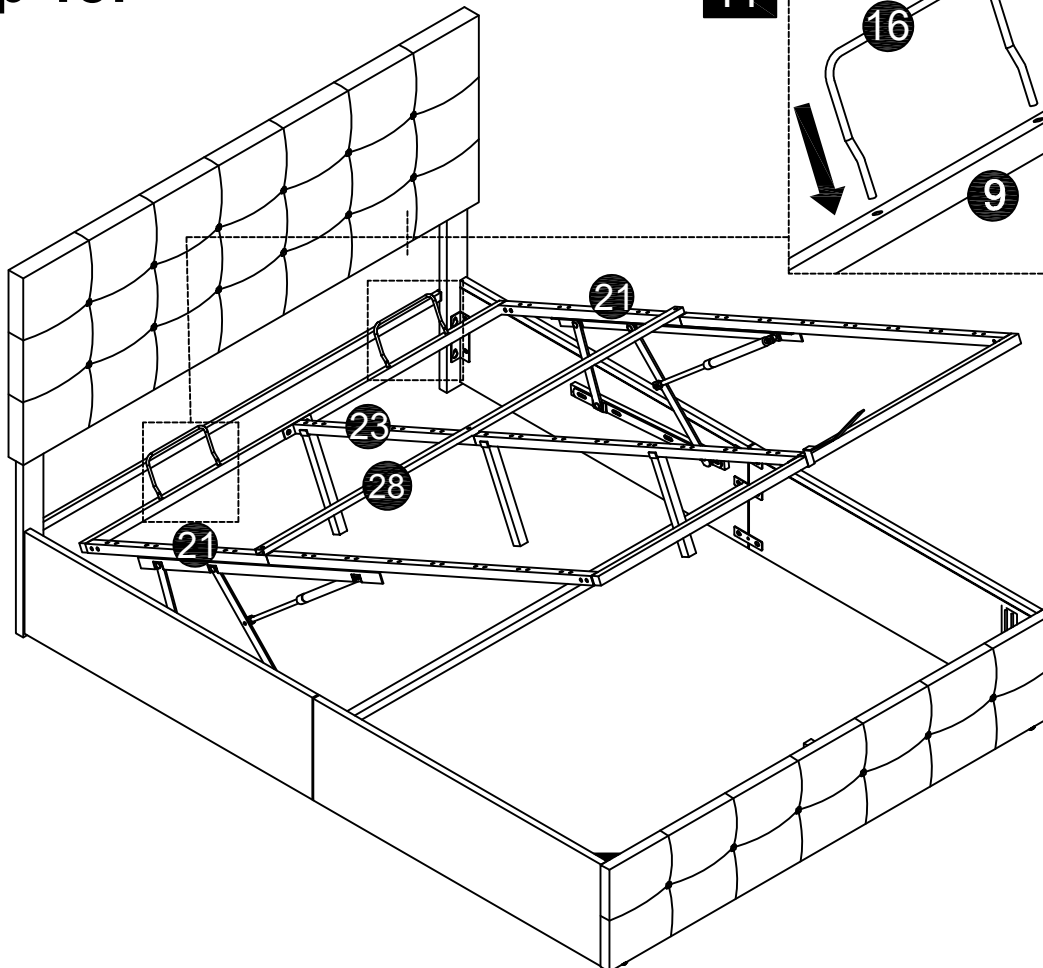
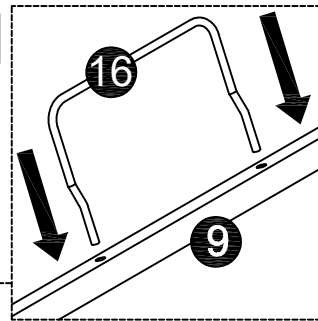


x 1



Step 15:

11



Step 16:

