

# INSTRUCTION MANUAL

---



# IMPORTANT WARRANTY INFORMATION

## PLEASE READ CAREFULLY

### AFTER-SALES CONTACT US

If you have any problems or dissatisfaction with the product, don't hesitate to contact the after-sales team to solve the problems or express your feelings or concerns. We **DO VALUE** your voices and are all the time ready to help. All the calls, emails and messages from you will get our immediate reply within 24 hours.

All items can be returned or replaced for any reason within 30 days of the receipt as long as the item is returned in its original product package and all accessories of its original shipment are included.

### About Replacement:

If there are missing parts or damages when you receive the item, you don't need to return it if you want to get a replacement. Please contact the after-sales team

### About Returns:

1. If you need to return product, please contact us

We will provide a **PREPAID RETURN LABEL** by E-mail.

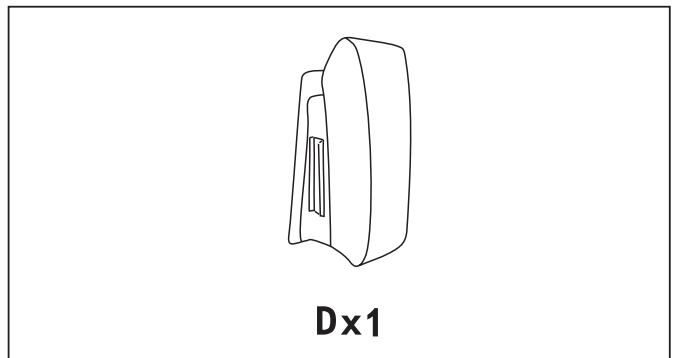
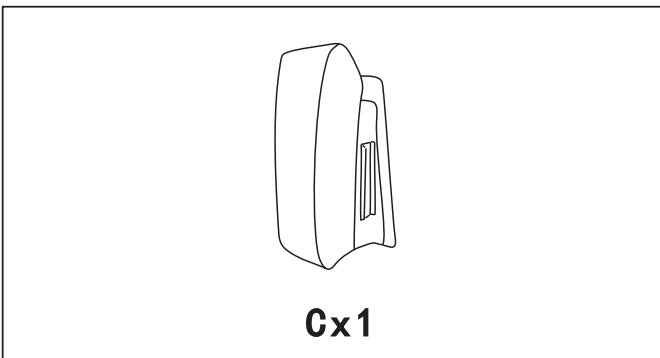
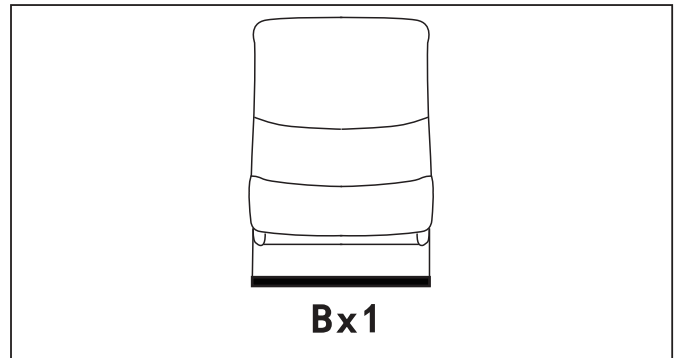
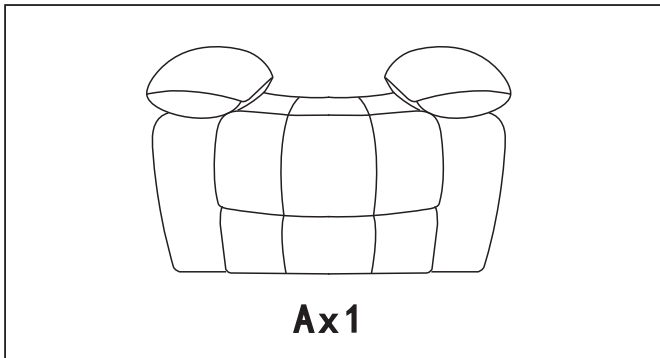
Please include a brief description of the problem and photos of the damaged product in your email.

2. **Please Note: If the customer does not contact the after-sales team to get a return label and the customer purchases the return label by themselves, it may incur expensive return shipping charges. And the seller will not bear the fee of the customer's own purchase of the return label**
3. If the product is damaged by the customer, we can refuse to provide a prepaid return label, and the customer needs to pay for the return shipping.
4. Boxes for return shipping will not be provided by the seller. The customers are responsible for using the original shipping boxes, or purchasing new boxes when no boxes.
5. After all returned items arrive at the Return Center, please contact the After-sales team and we will fully refund back to the original payment method.

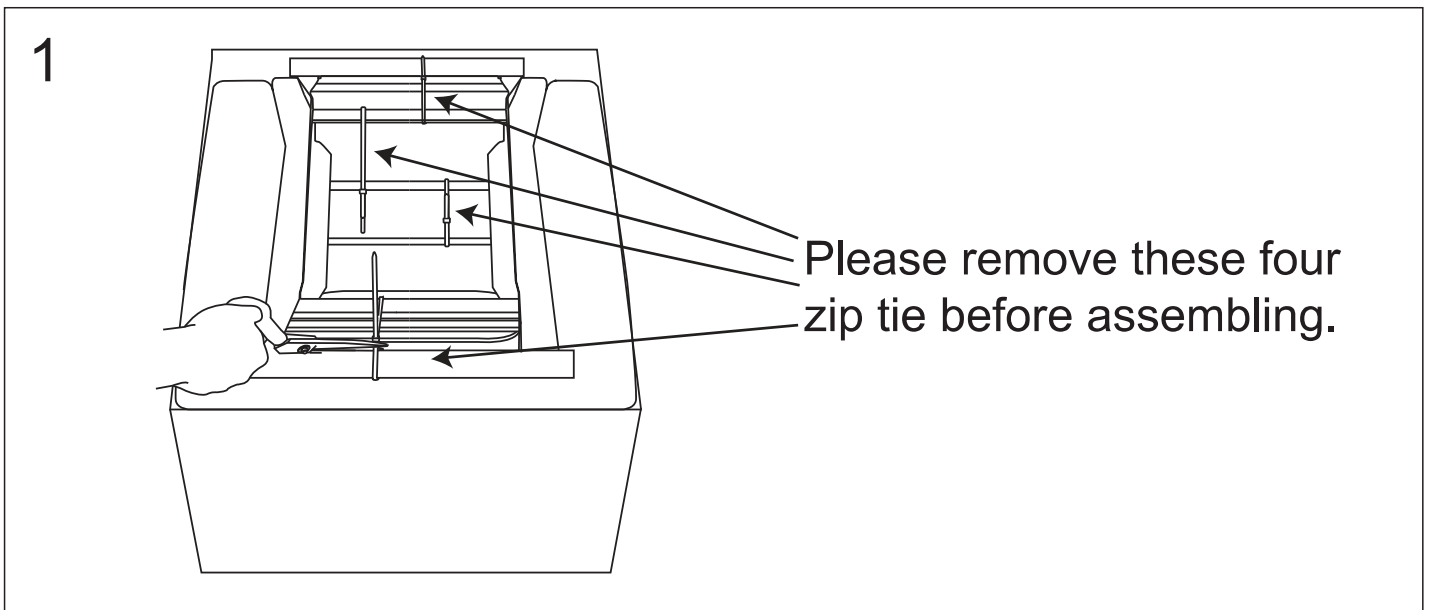
### WARRANTY:

Please keep the after-sale card. If the product is damaged by non-human factors within six months, please contact our after-sales team.

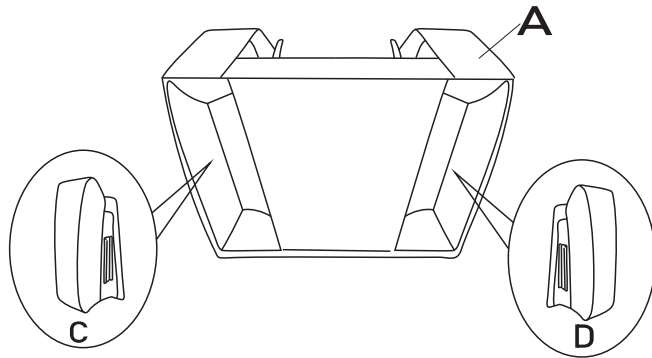
# COMPONENTS



# ASSEMBLY INSTRUCTION

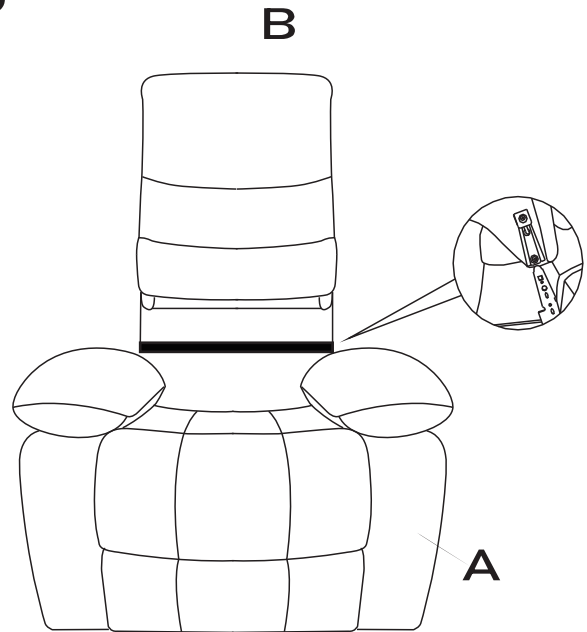


2



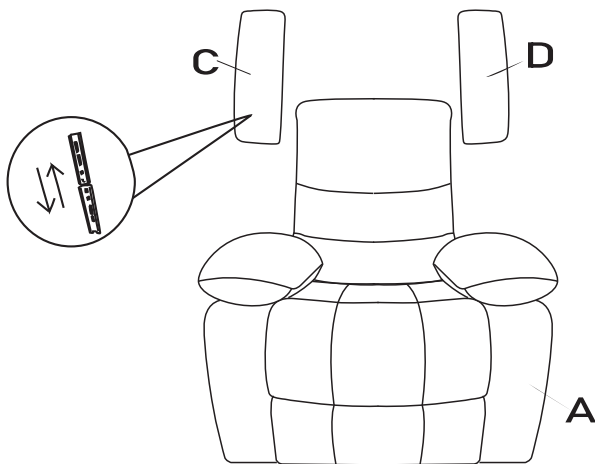
Please take out Part C and Part D from under the seat.

3



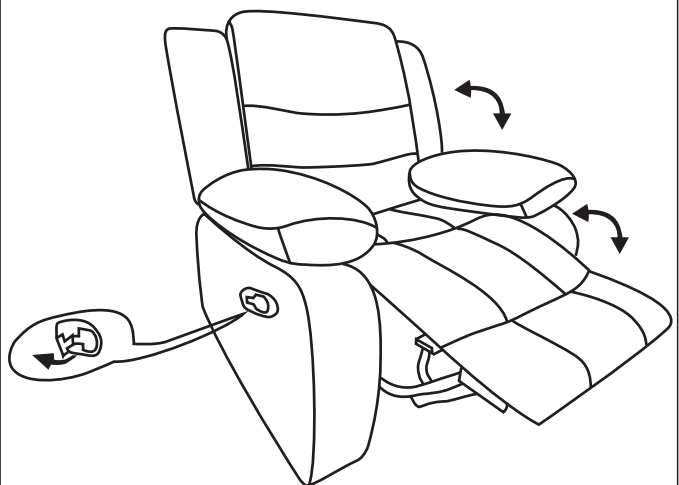
Please insert the Backrest into the Seat Base.

4



Please install part C and part D to the sides of the backrest.

5



Open the footrest with one click, places your hands on the armrests and leans back with your body to tilt the chair up to 135 °.