

INSTALLATION

Product Manual

Version: 590017US-01-25A-NYX



IMPORTANT INFORMATION!

please read the entire manual before starting to assemble and/or using this product. follow the manual thoroughly and keep it for further reference.



AVOID SCRATCHES!

In order to avoid scratching this furniture should be assembled on a soft layer- could be a rug.



IMPROVE EFFICIENCY !

Try to find a partner to install with you, which can speed up the installation efficiency and shorten the time.



ANTI-TOPPLE WARNING !

Overturnd furniture can cause serious or fatal crush injuries. To prevent tipping over, be sure to use the wall attachment, if not included with this product. Please purchase the wall attachment that fit your wall. If unsure, seek professional advice. Please read and follow each step of the instructions carefully.

IMPORTANT !

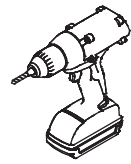
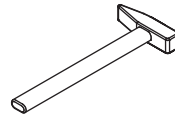
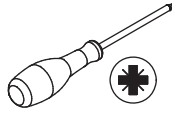
It is important that any product which is assembled using any kind of screw is re-tightened 2 weeks after assembly, and once every 3 months - in order to assure stability through-out the lifespan of the product.

For regular maintenance and cleaning of the product, for the frame, please use a rag dipped in neutral detergent to fully wipe it, and then dry it with a clean rag. For glass materials, wipe with a rag dampened with water glass cleaner, and then dry with a dry rag.

Do not use an electric screwdriver, and do not use too much force when installing, because the board is easy to break.

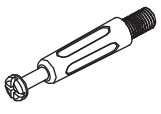


Please prepare the following tools




When installing, please carefully confirm whether each screw corresponds to the manual, accessories with similar shapes can be distinguished by size

A x 68



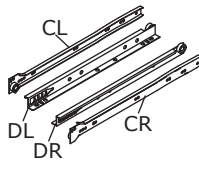
Ø 6 x 35 mm

B x 68



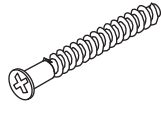
Ø 15 x 9.5 mm

C x 3



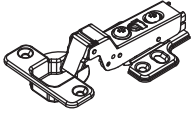
300 mm

D x 14

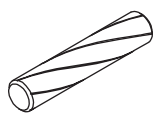


Ø 5 x 40 mm

E x 2

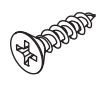


F x 19



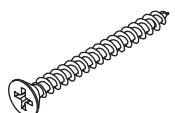
Ø 8 x 40 mm

G x 48



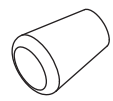
Ø 3.5 x 14 mm

H x 22

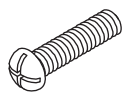


Ø 3.5 x 35 mm

I x 3

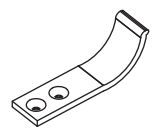


J x 3

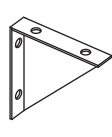


Ø 4 x 15 mm

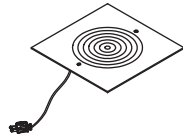
K x 2



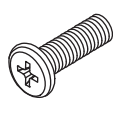
L x 2



M x 1

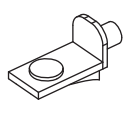


N x 18

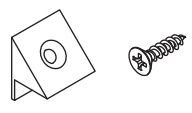


Ø 6 x 30 mm

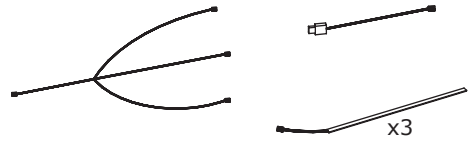
O x 12



P x 8

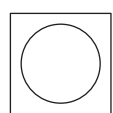


Q x 1

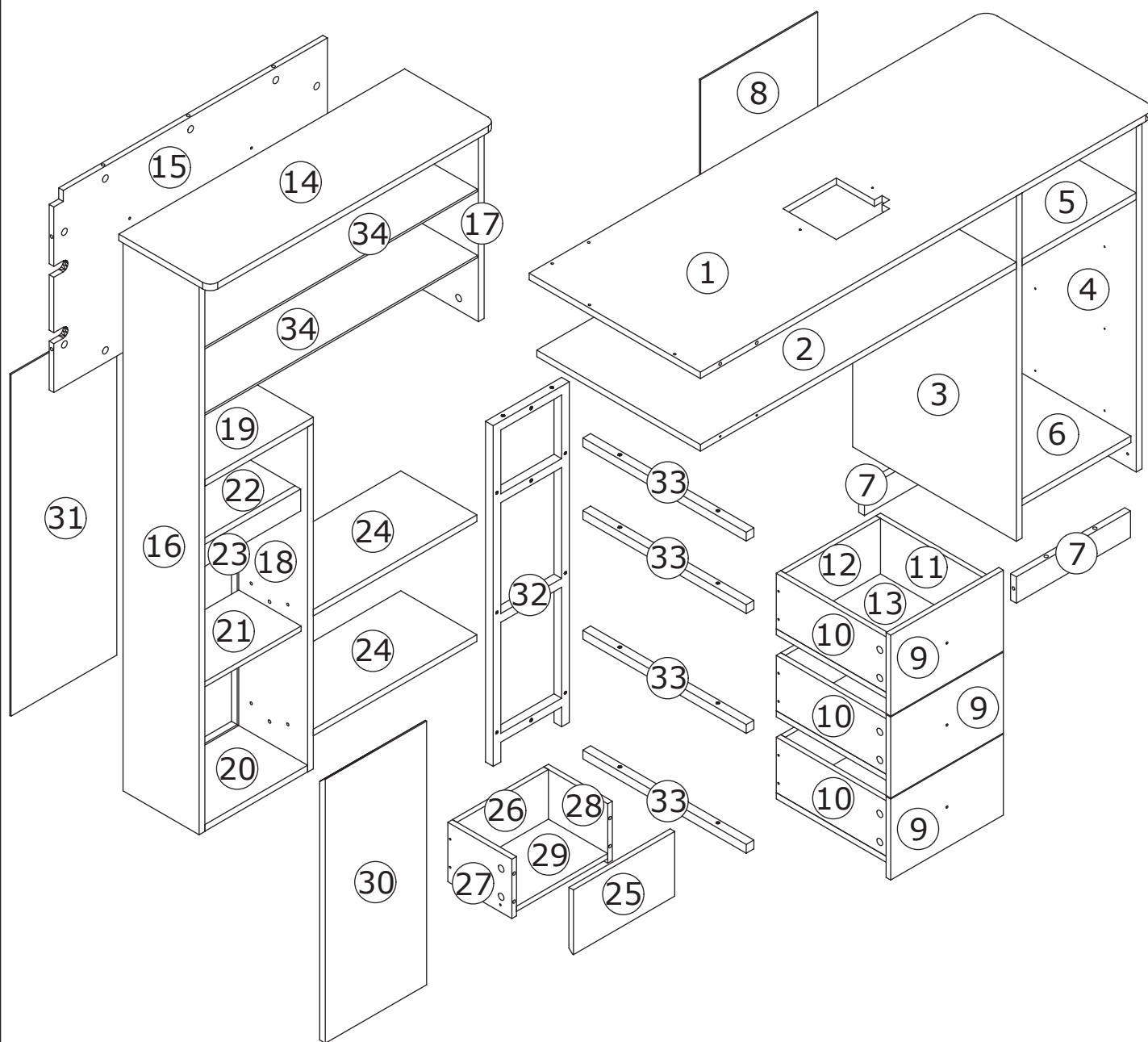


x3

R x 20



Ø 20 mm



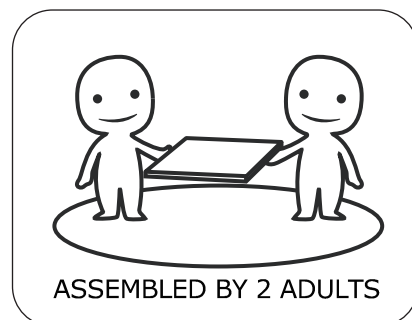
⚠ WARNING



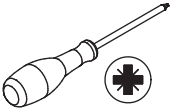
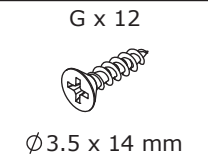
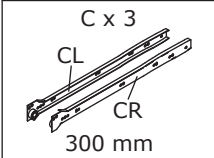
Children have died from furniture tipover. To reduce the risk of furniture tipover:

- ALWAYS install Anti-tip device provided.
- NEVER put a TV on this product.
- NEVER allow children to stand, climb or hang on drawers, doors, or shelves.
- NEVER open more than one drawer at a time.
- Place heaviest items in the lowest drawers.

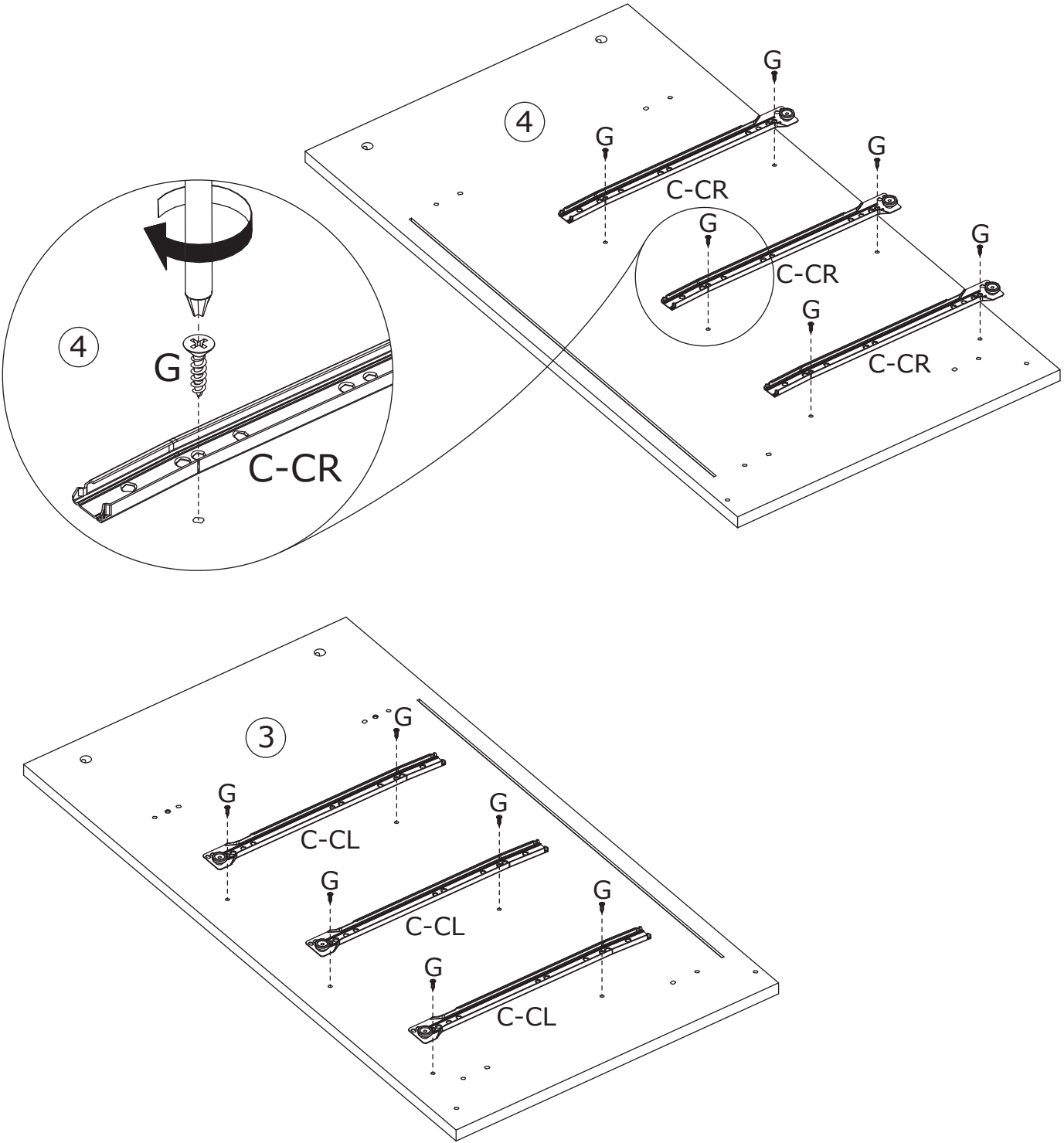
*This is a permanent label.
Do not remove!*



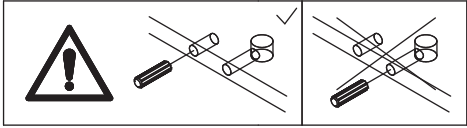
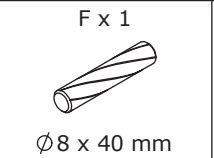
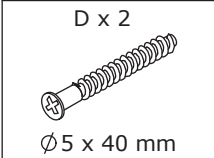
1



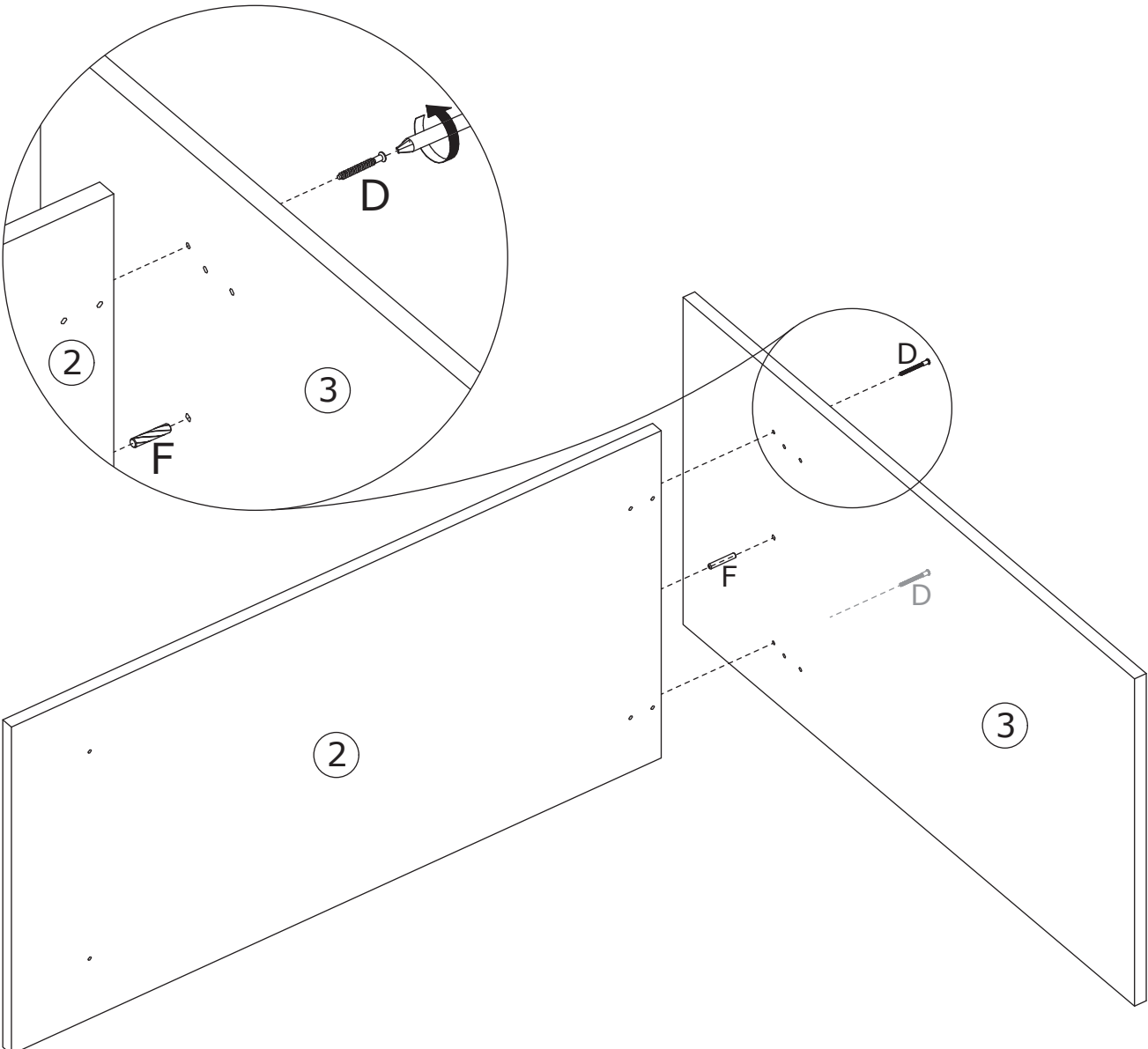
Secure rail C (CR and CL sections) to boards 3 and 4 using screw G.



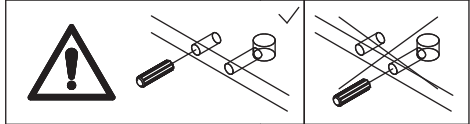
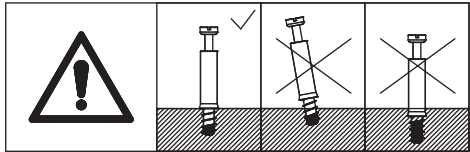
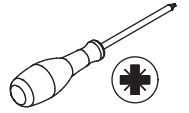
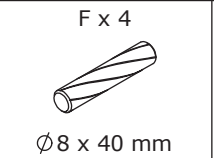
2



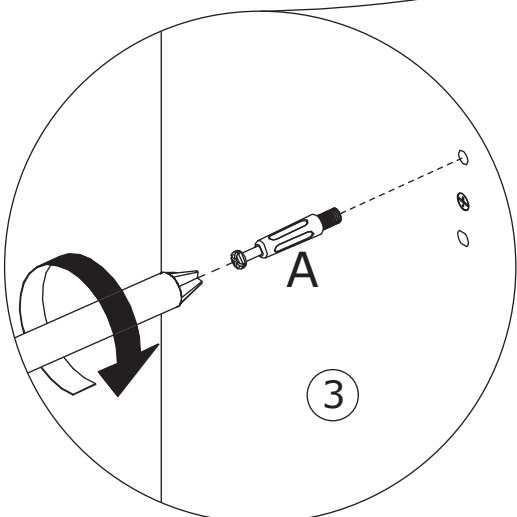
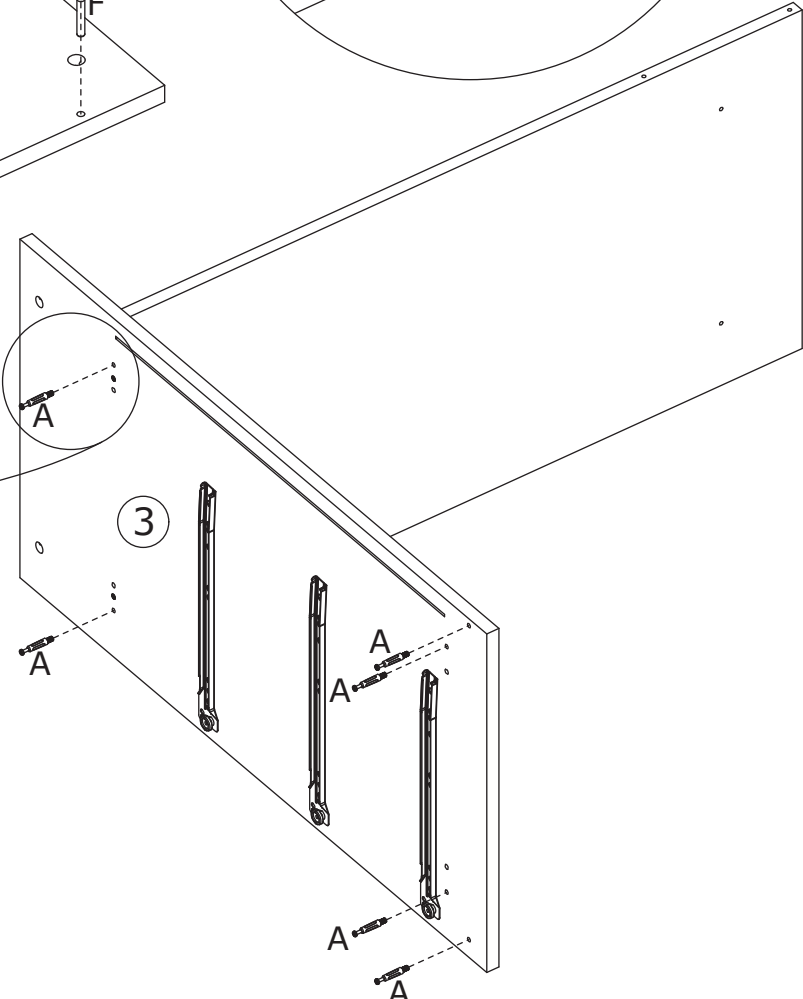
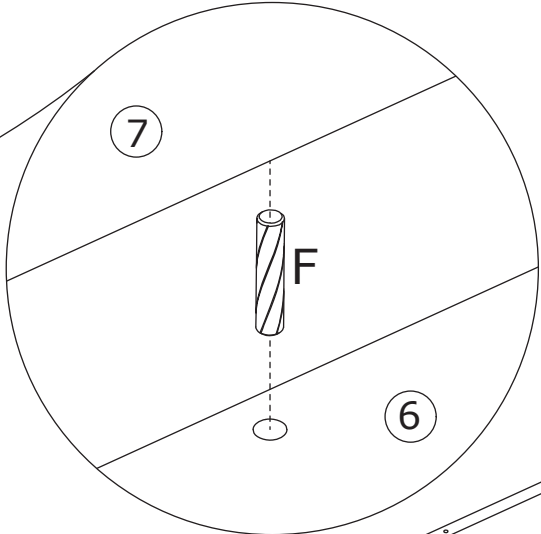
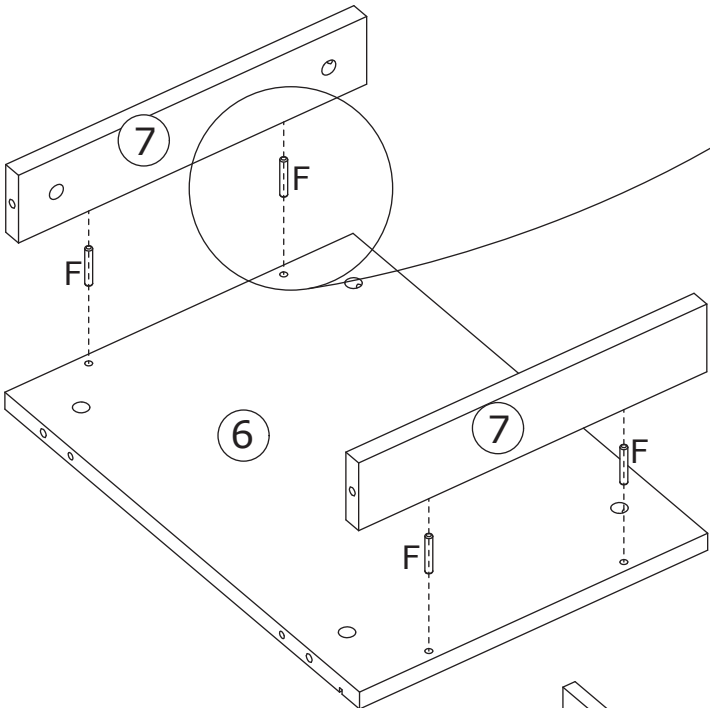
Connect boards 2 and 3 with dowel F, then secure with screw D.



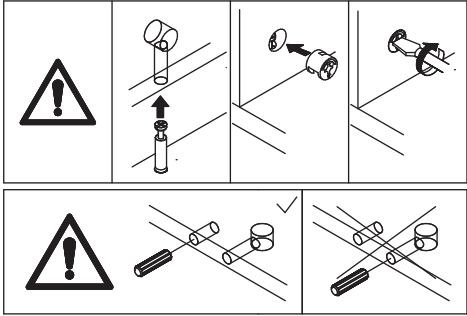
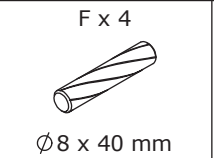
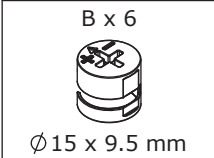
3



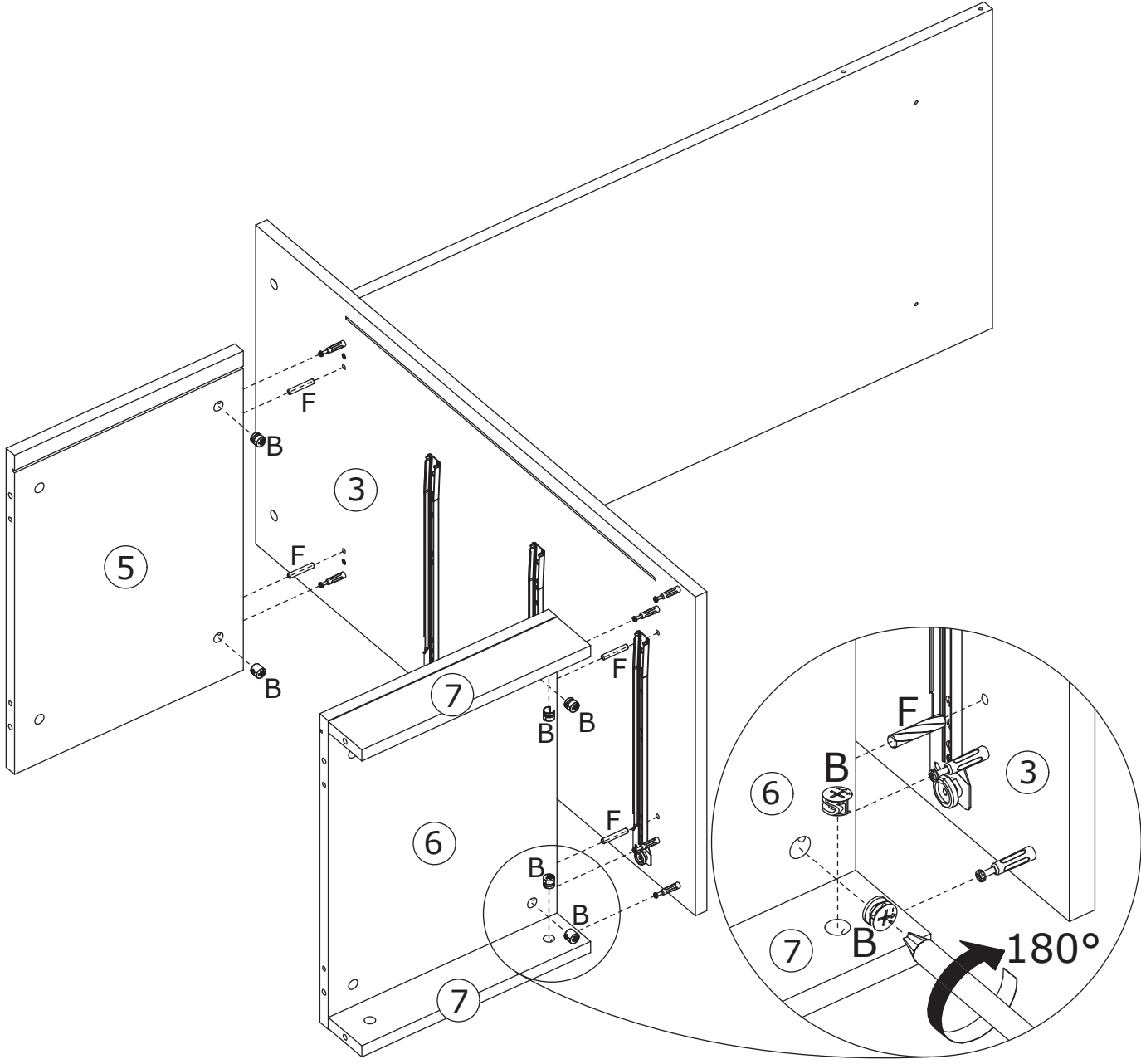
Connect boards 7 and 6 with dowel F, then install threaded rod A to board 3.



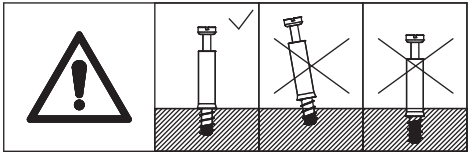
4



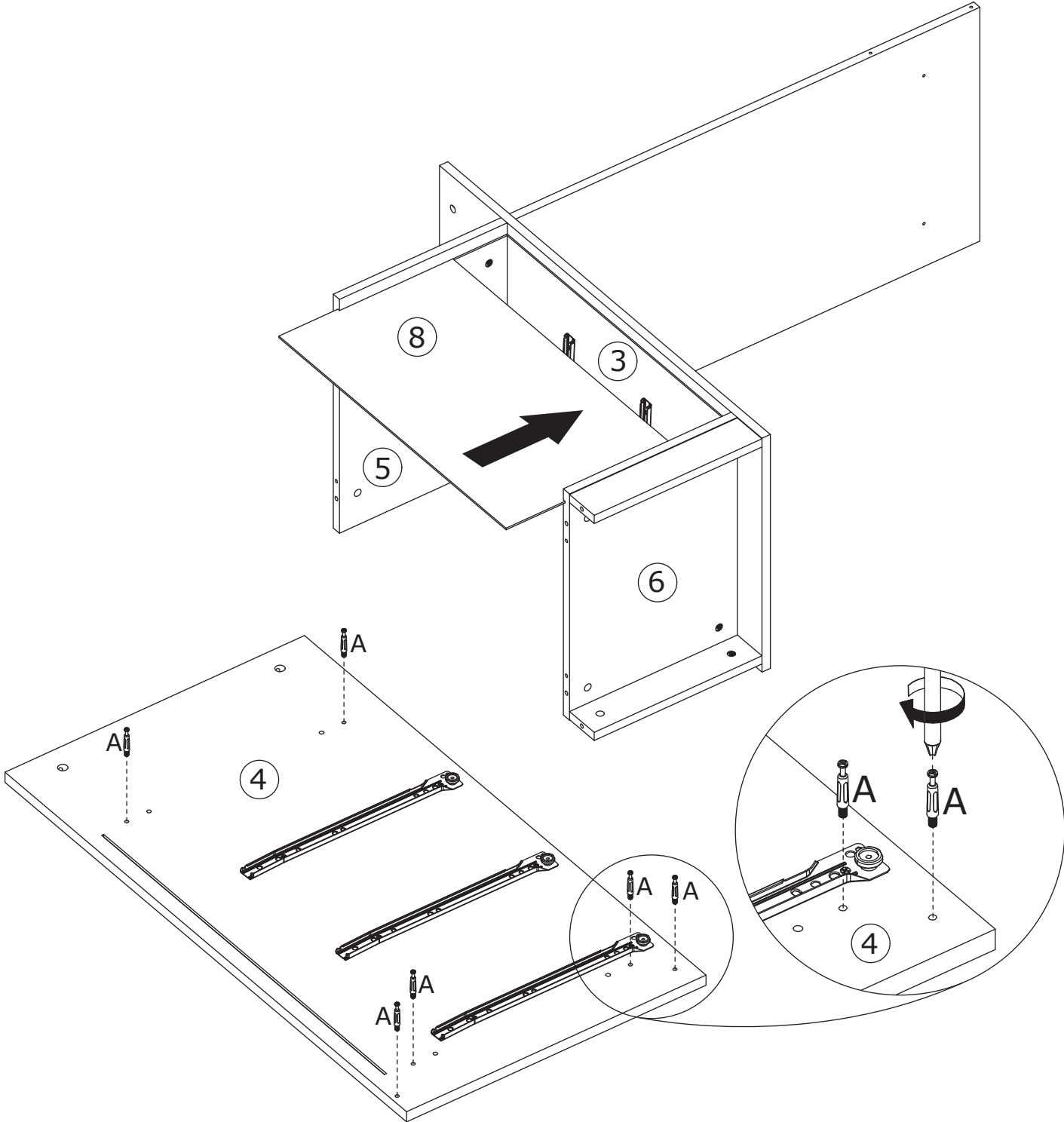
Join boards 5, 6, 7 and board 3 with dowel F, insert cam lock B and tighten.



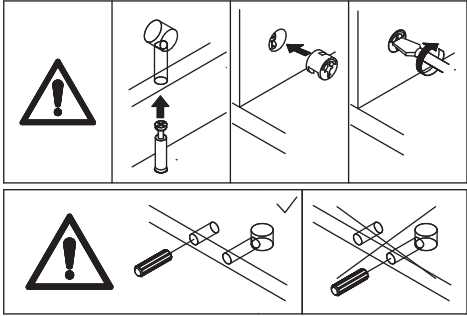
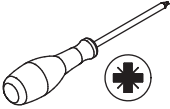
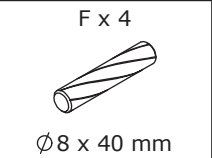
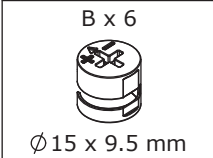
5



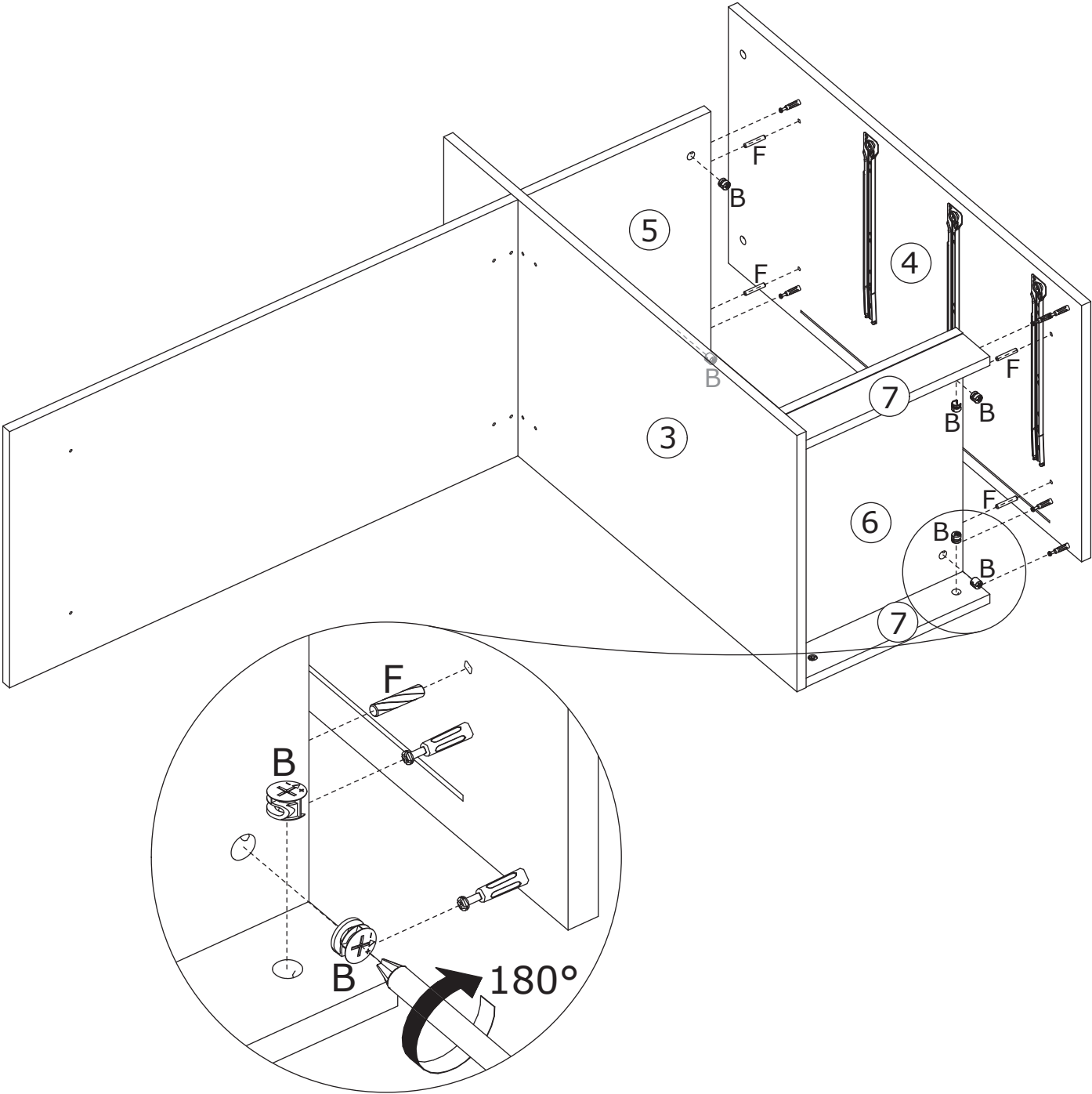
Insert board 8 into slots of boards 3, 5 and 6,
then install threaded rod A to board 4.



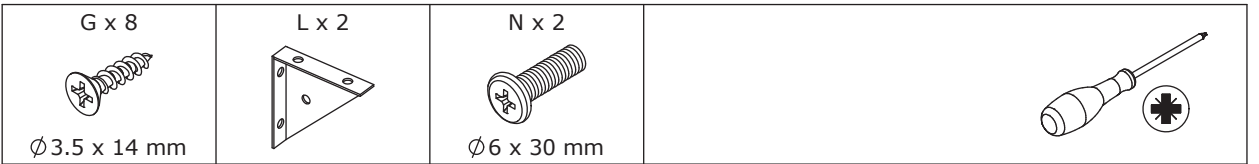
6



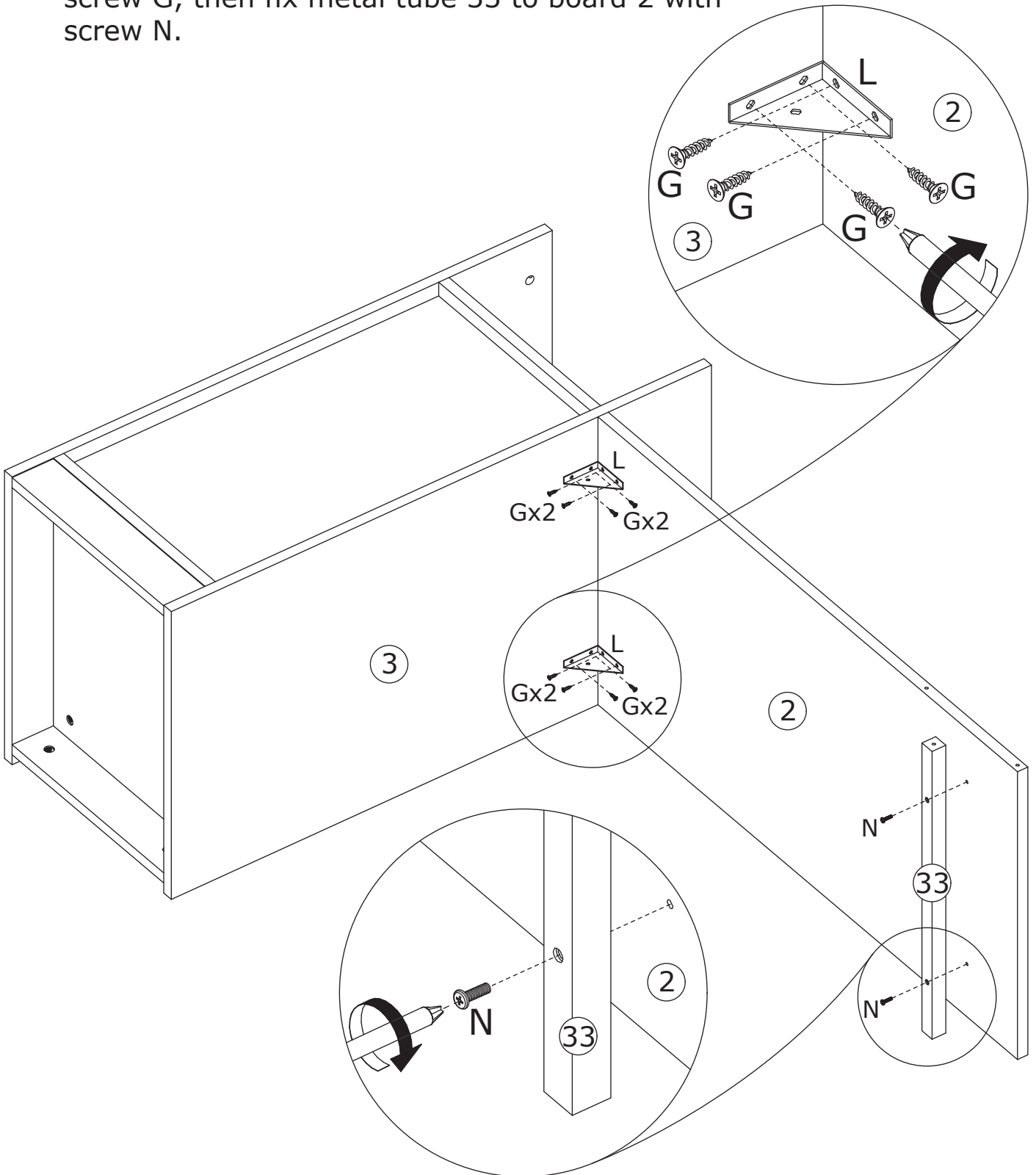
Connect boards 4 and 5, 6 and 7 with dowel F, insert cam lock B and tighten.



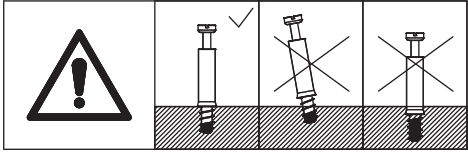
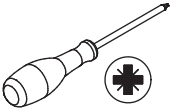
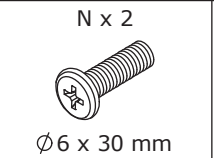
7



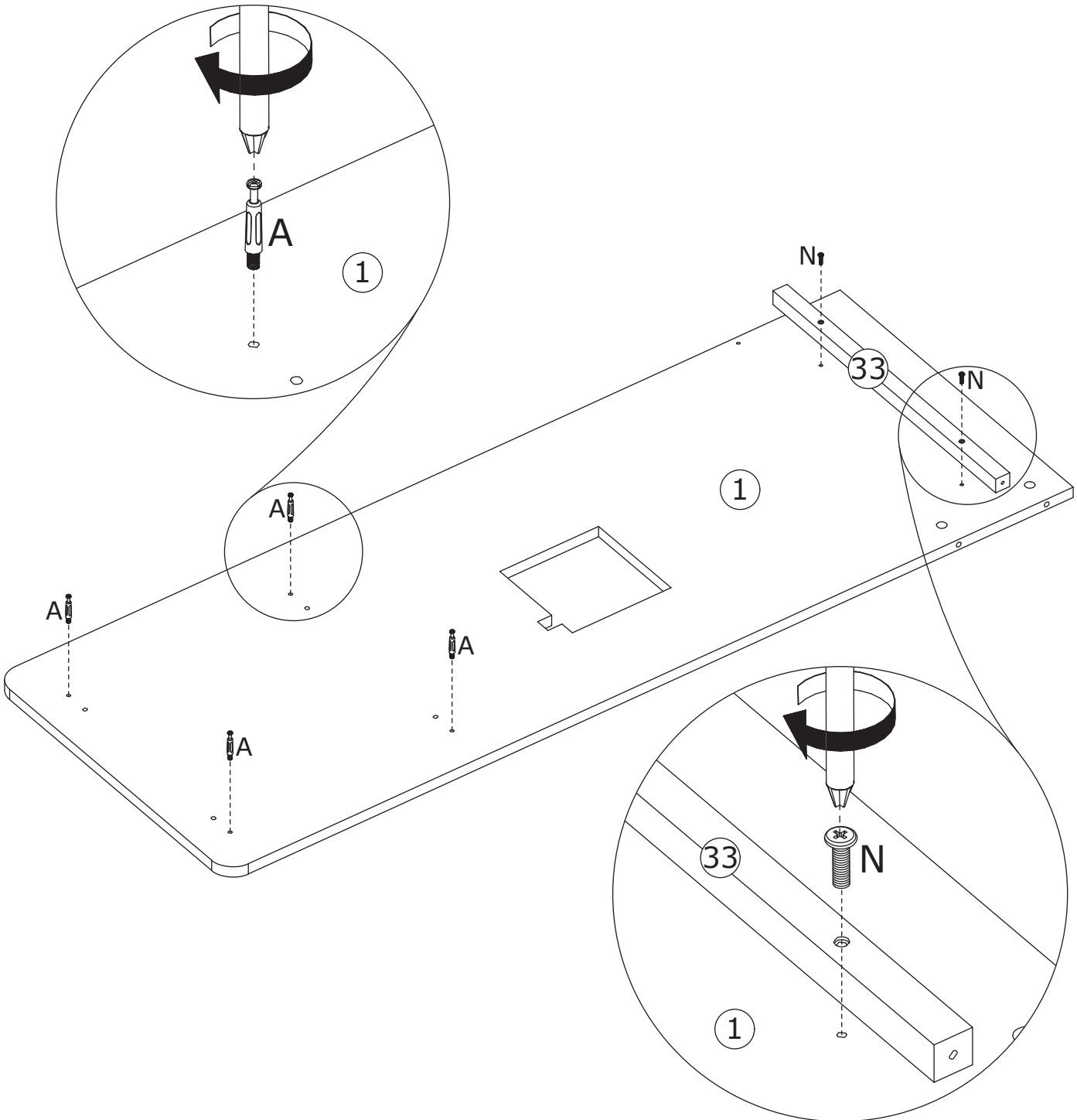
Mount angle bracket L to boards 2 and 3 using screw G, then fix metal tube 33 to board 2 with screw N.



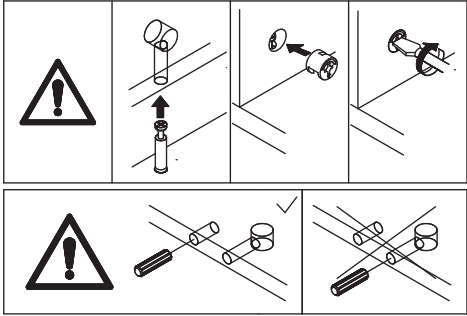
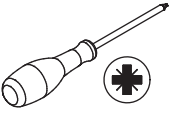
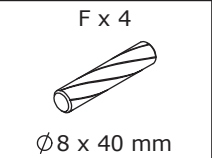
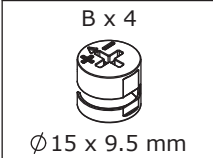
8



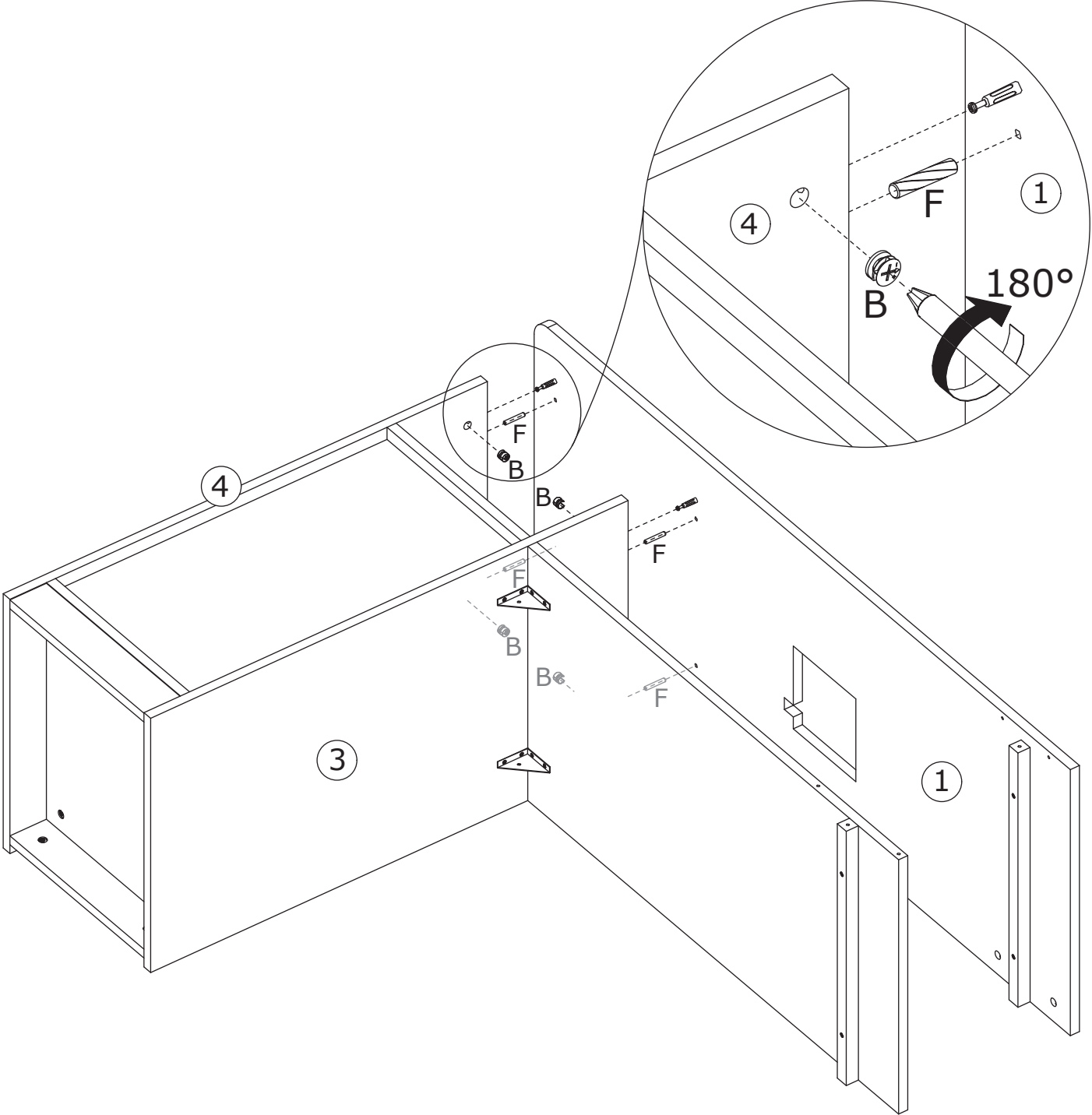
Install threaded rod A to board 1, then secure metal tube 33 to board 1 with screw N.



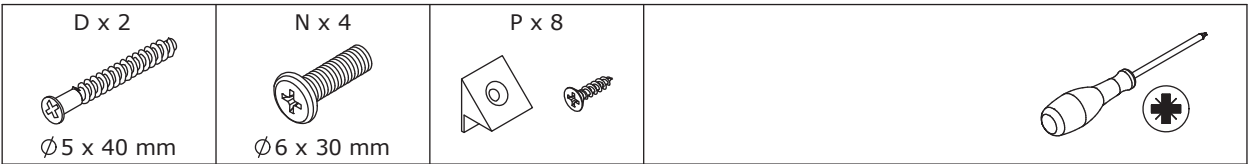
9



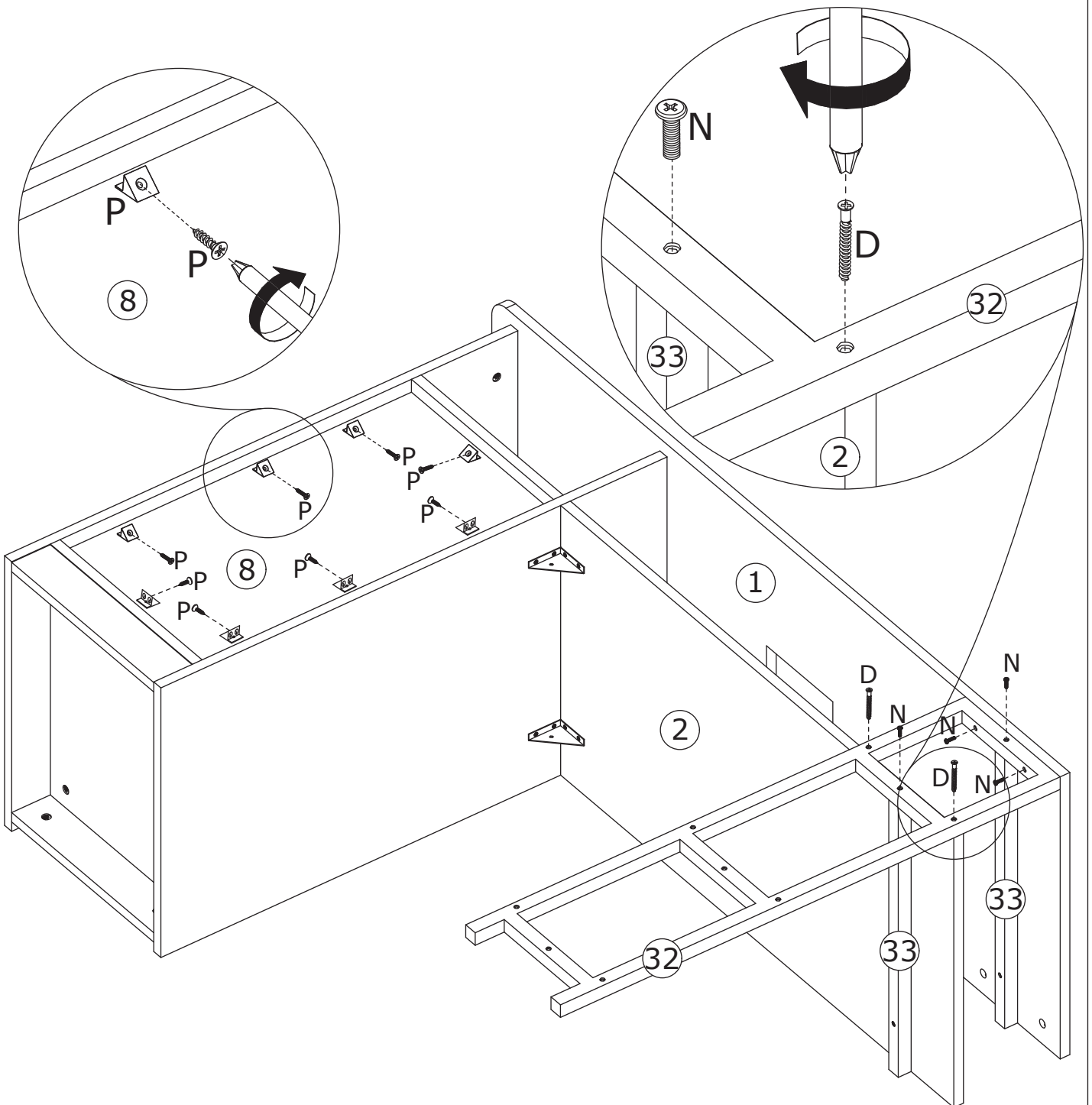
Connect boards 1, 3 and 4 with dowel F, insert cam lock B and tighten.



10



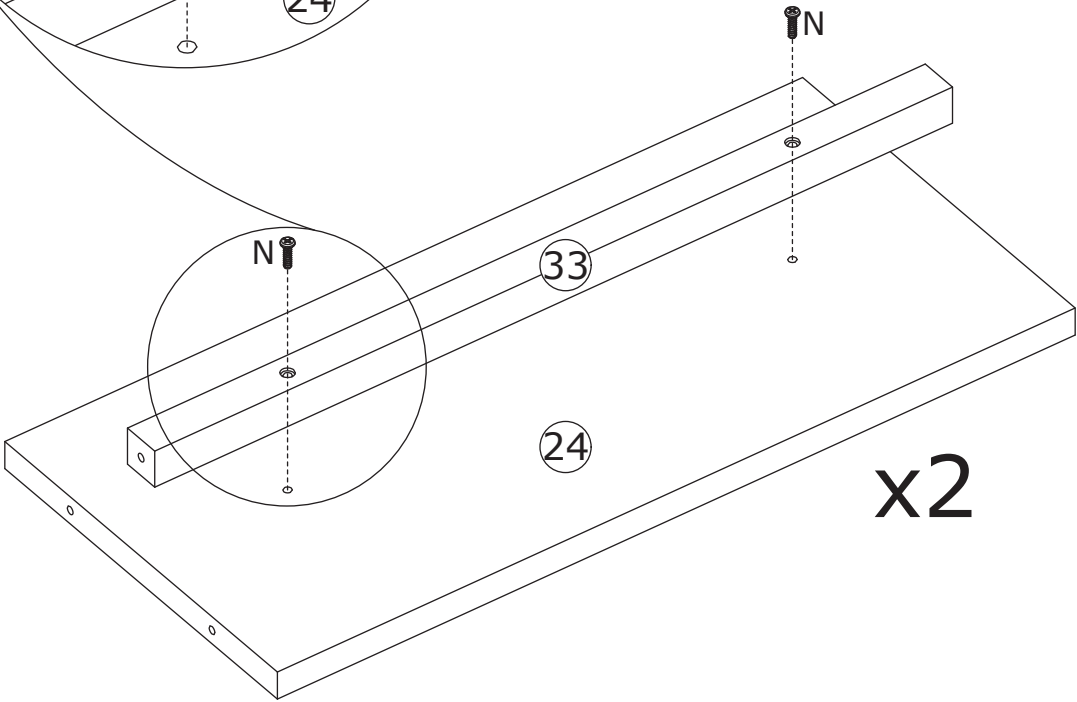
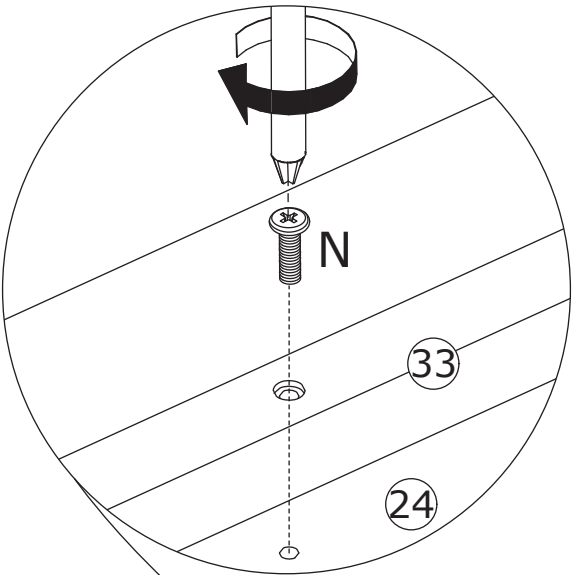
Secure metal frame 32 to boards 1, 2 and metal tube 33 using screws N and D, then insert back panel clips P into the slots and secure them.



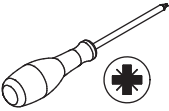
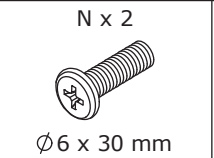
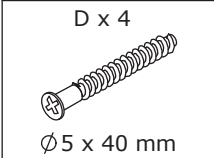
11



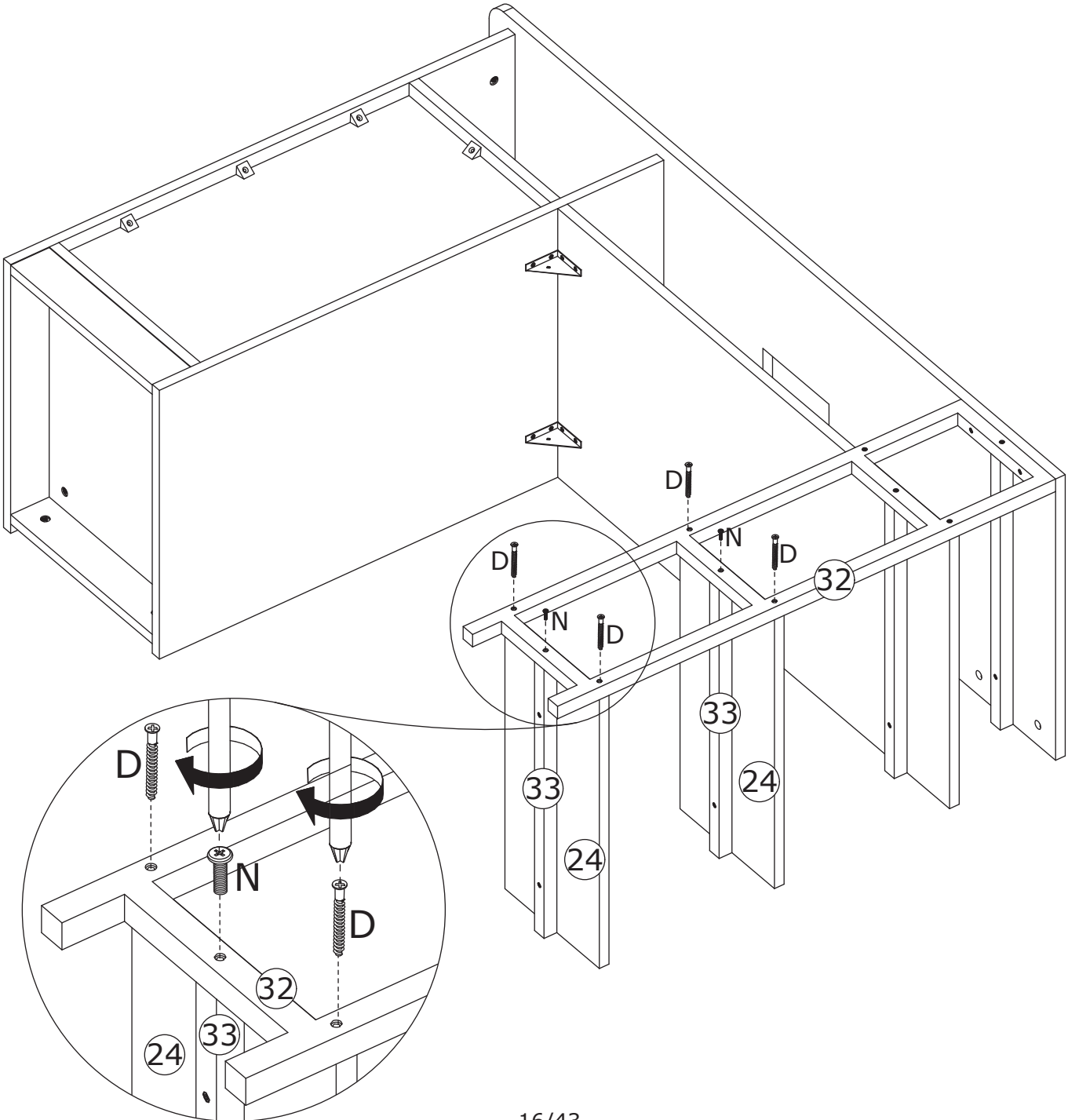
Fix metal tube 33 to board 24 using screw N.



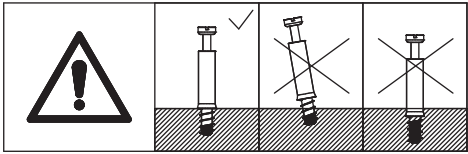
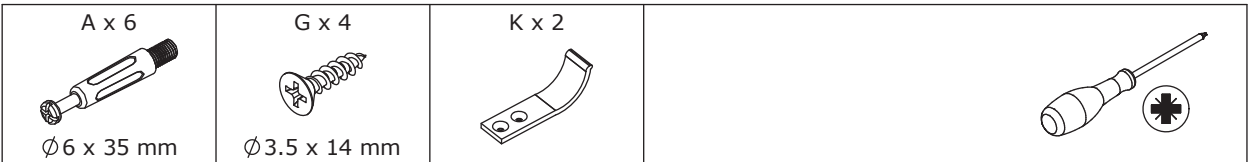
12



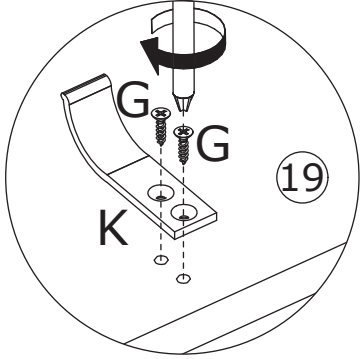
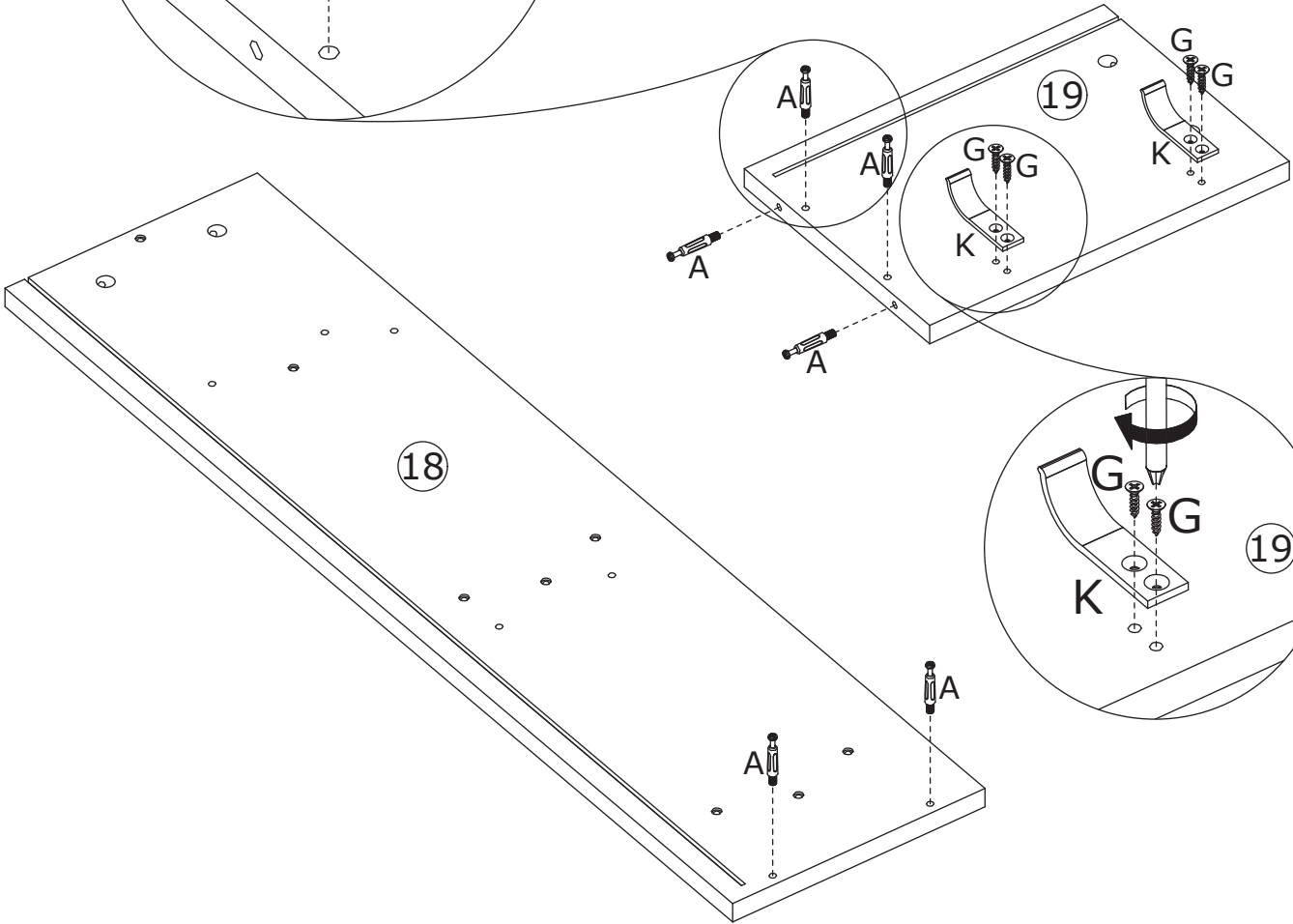
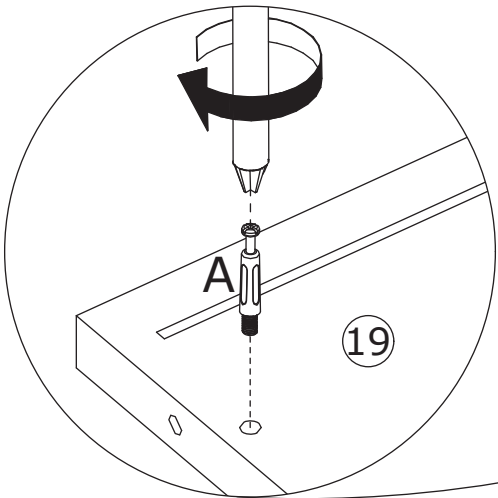
Secure metal tube 33 and board 24 to metal frame 32 using screws N and D.



13

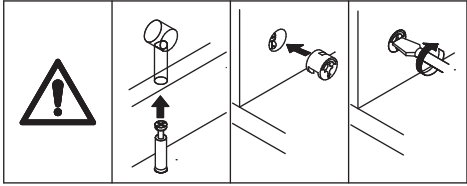


Install threaded rod A to boards 18 and 19, then mount accessory K to board 19 with screw G.

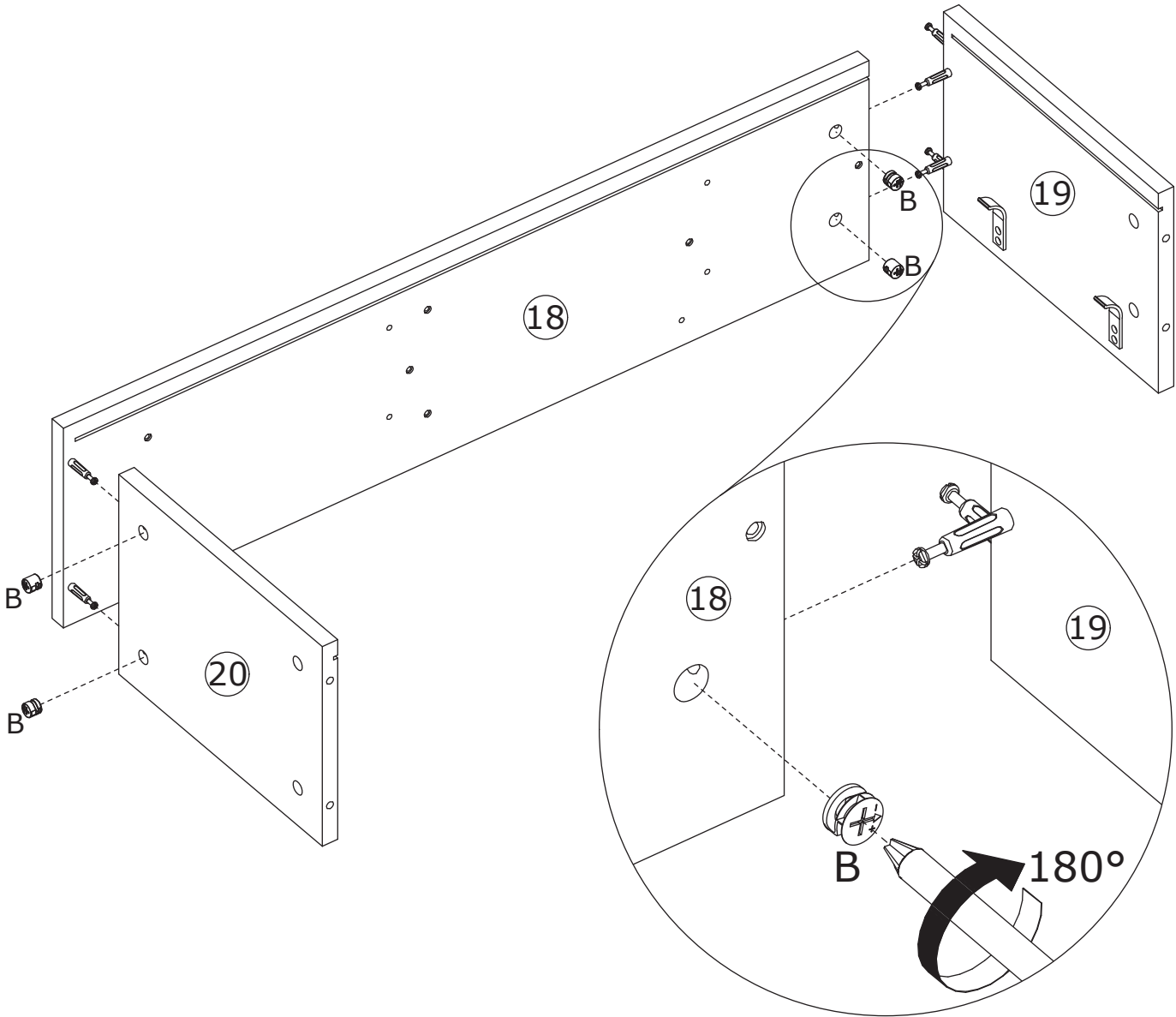


14

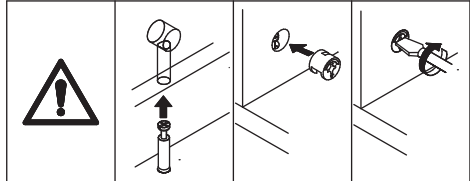
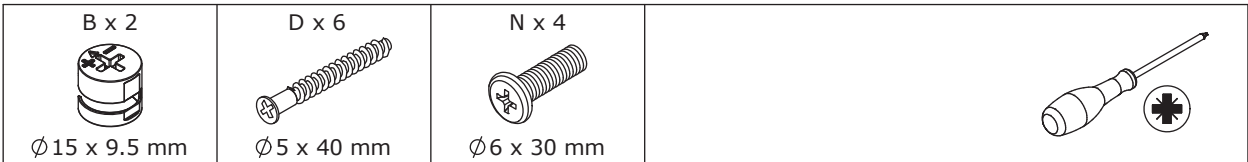
B x 4
Ø 15 x 9.5 mm



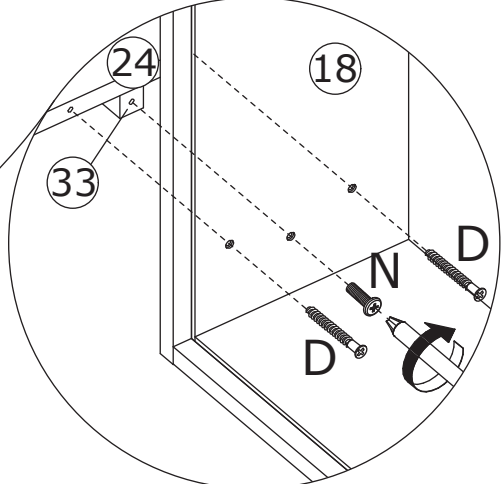
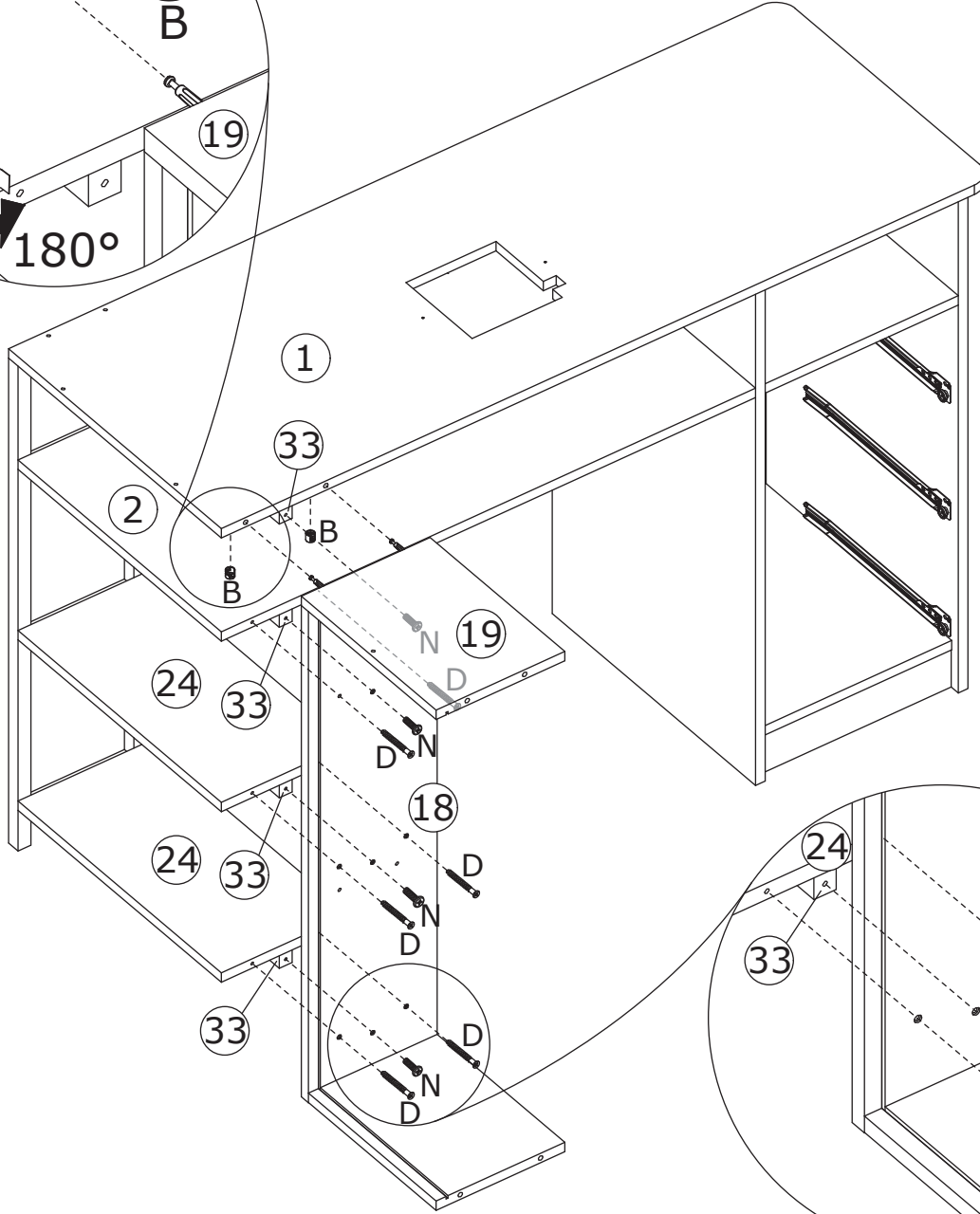
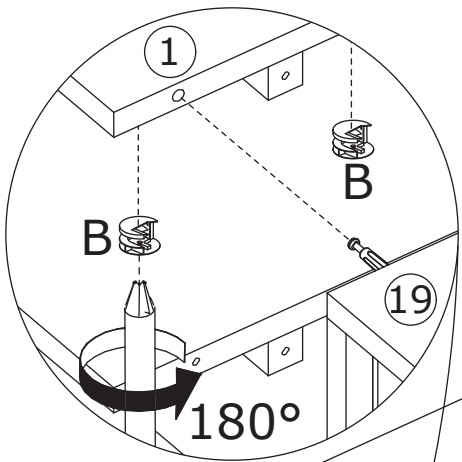
Connect boards 18, 19 and 20,
insert cam lock B and tighten.



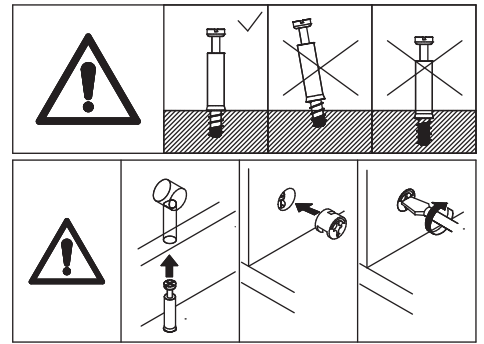
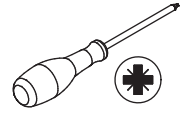
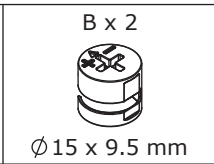
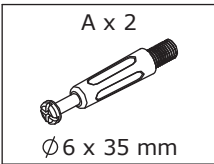
15



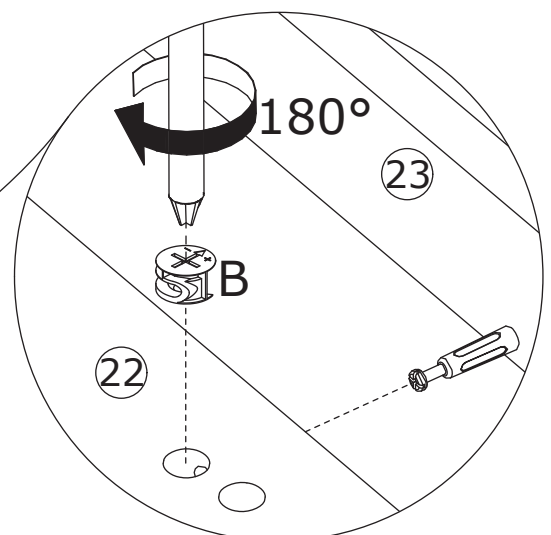
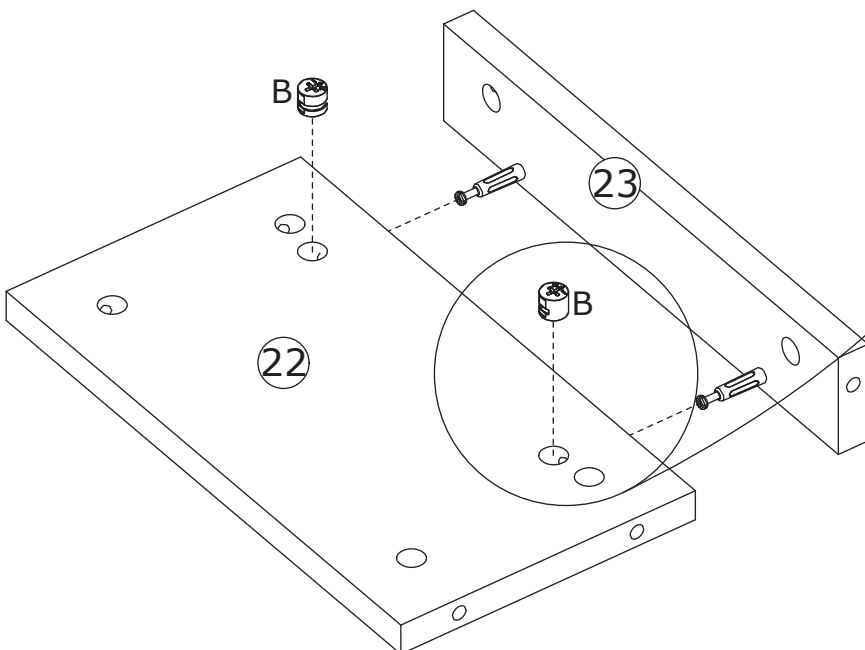
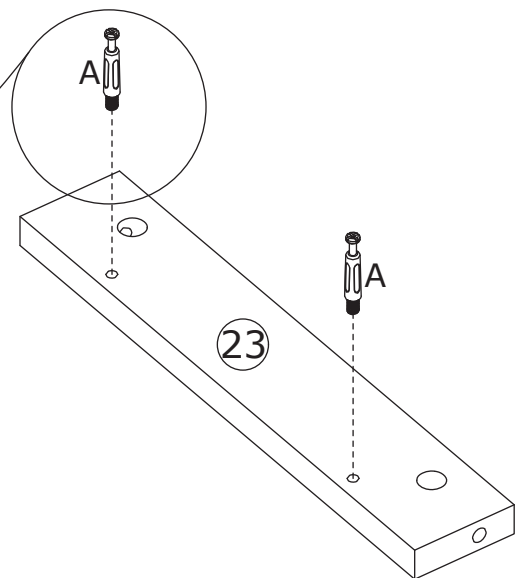
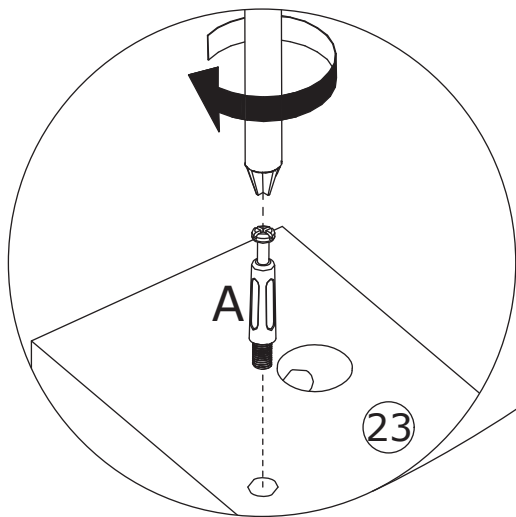
Secure boards 18 and 19 to pre-assembled structure using screws D and N, insert cam lock B and tighten.



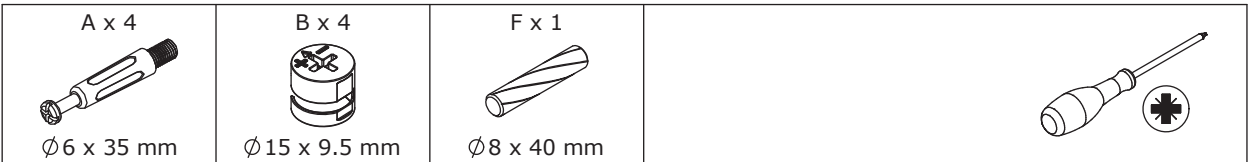
16



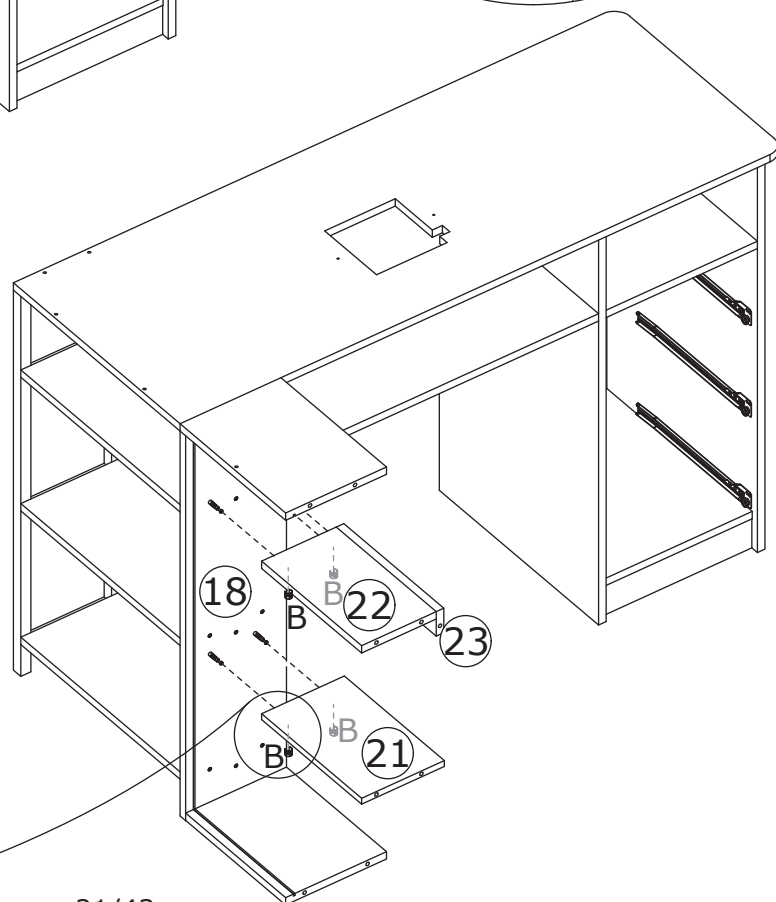
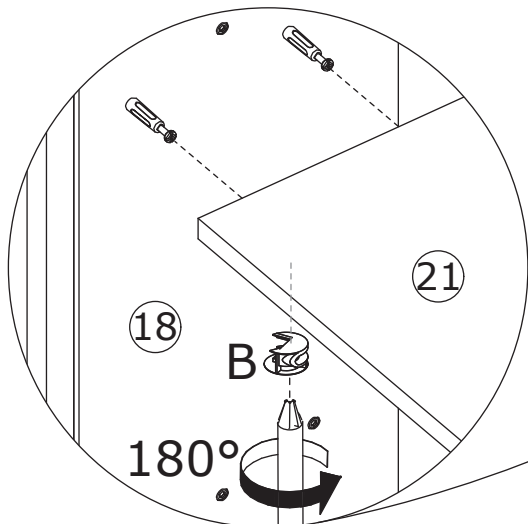
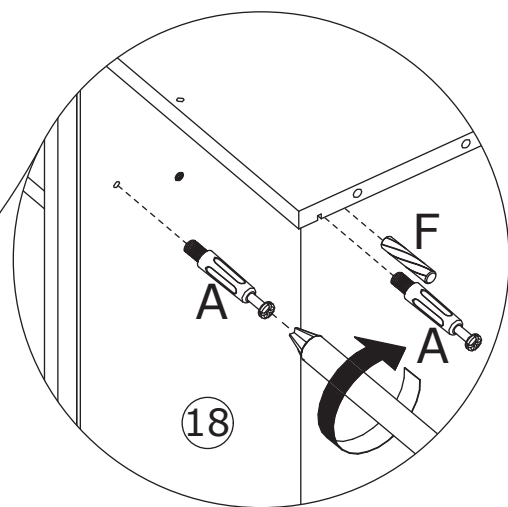
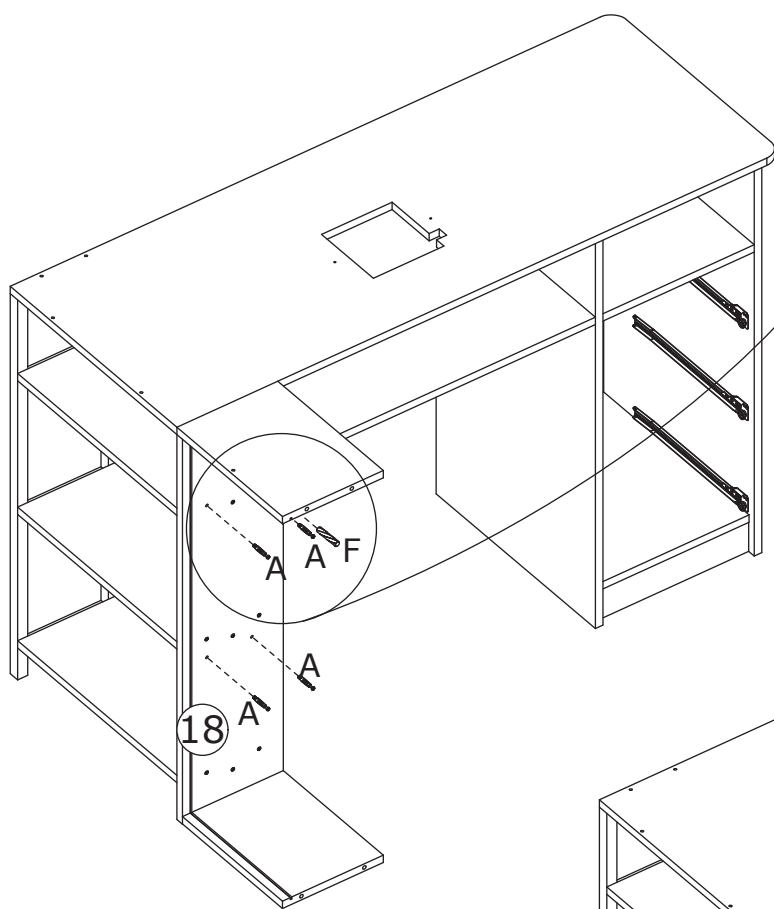
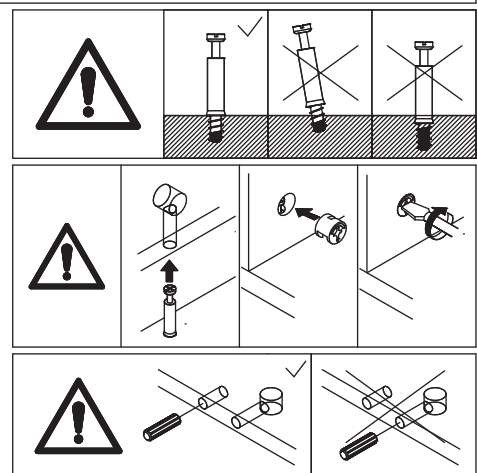
Install threaded rod A to board 23, connect boards 22 and 23, insert cam lock B and tighten.



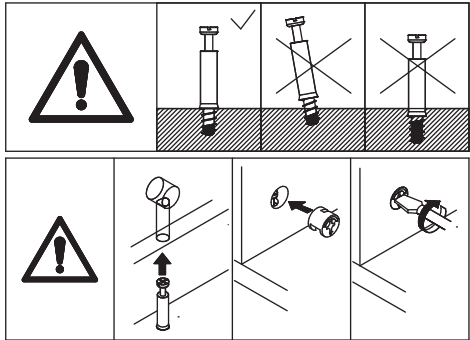
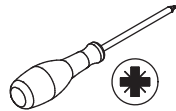
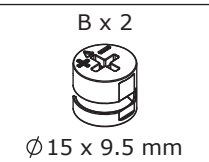
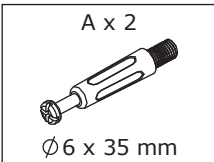
17



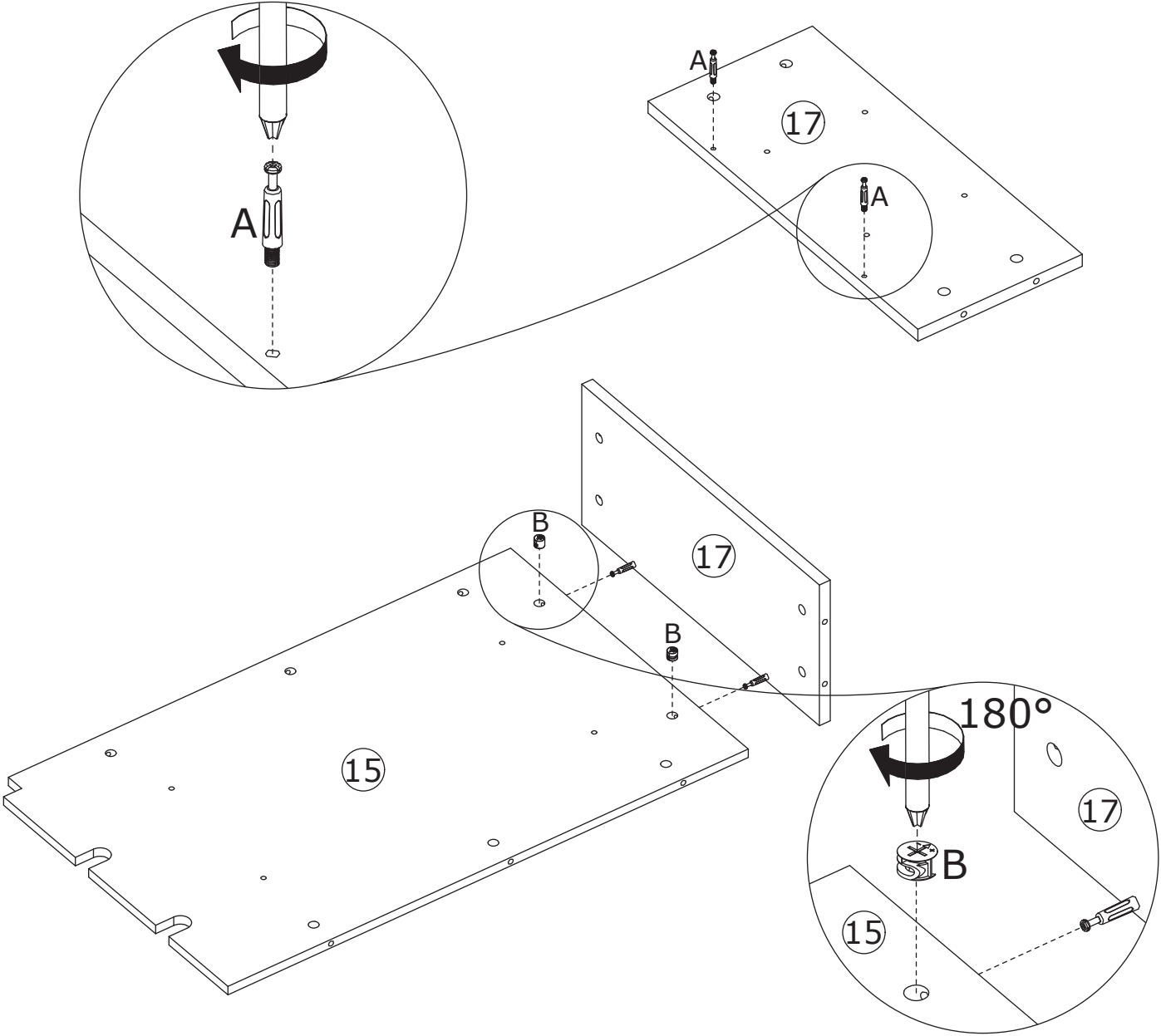
Install threaded rod A to board 18, connect boards 21, 22 and 23, insert cam lock B and tighten.



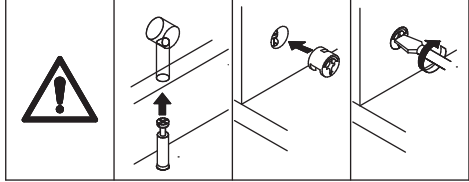
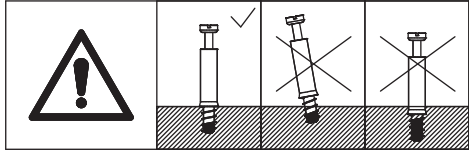
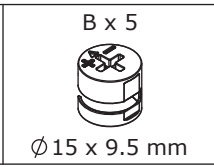
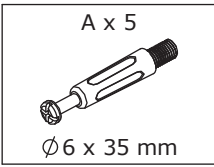
18



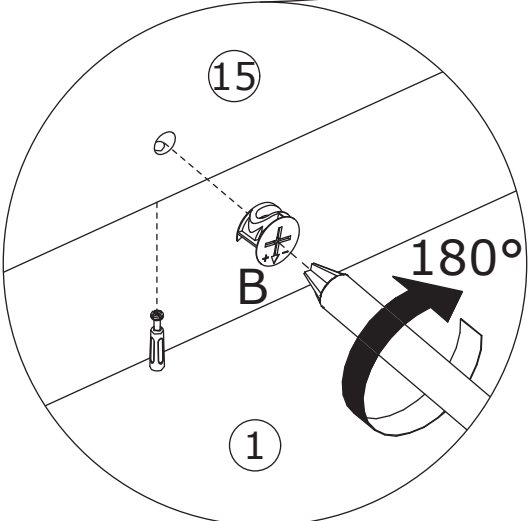
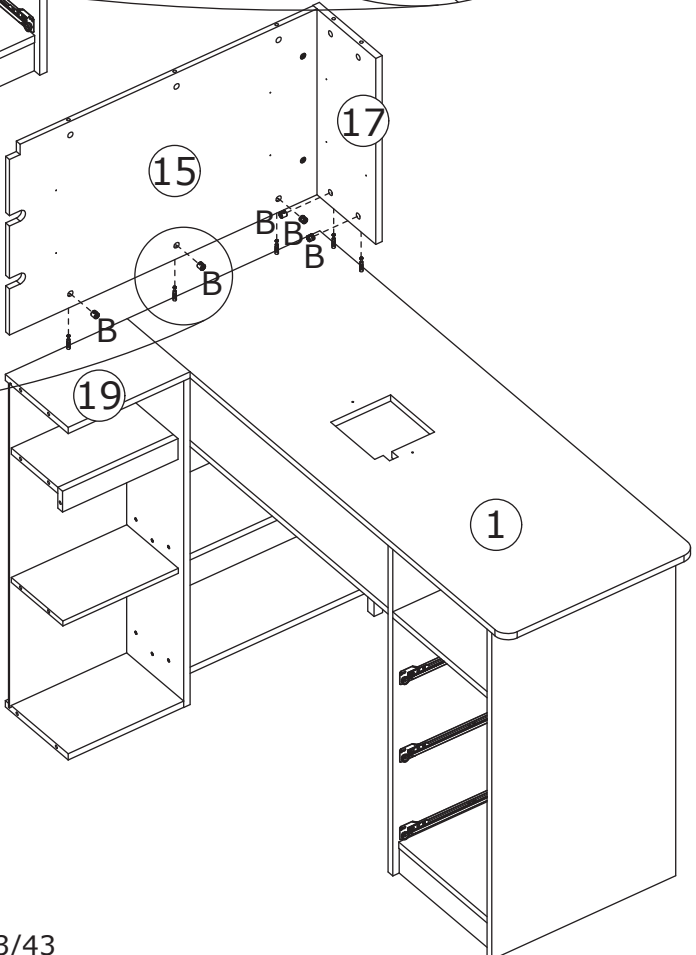
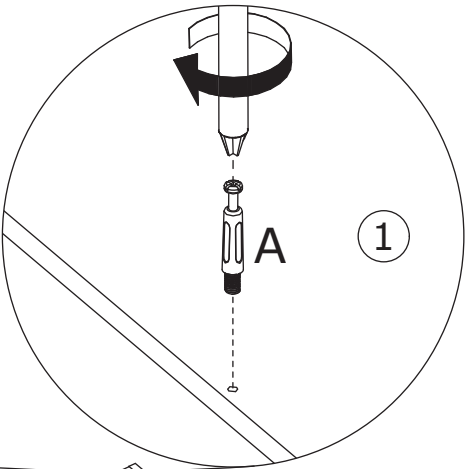
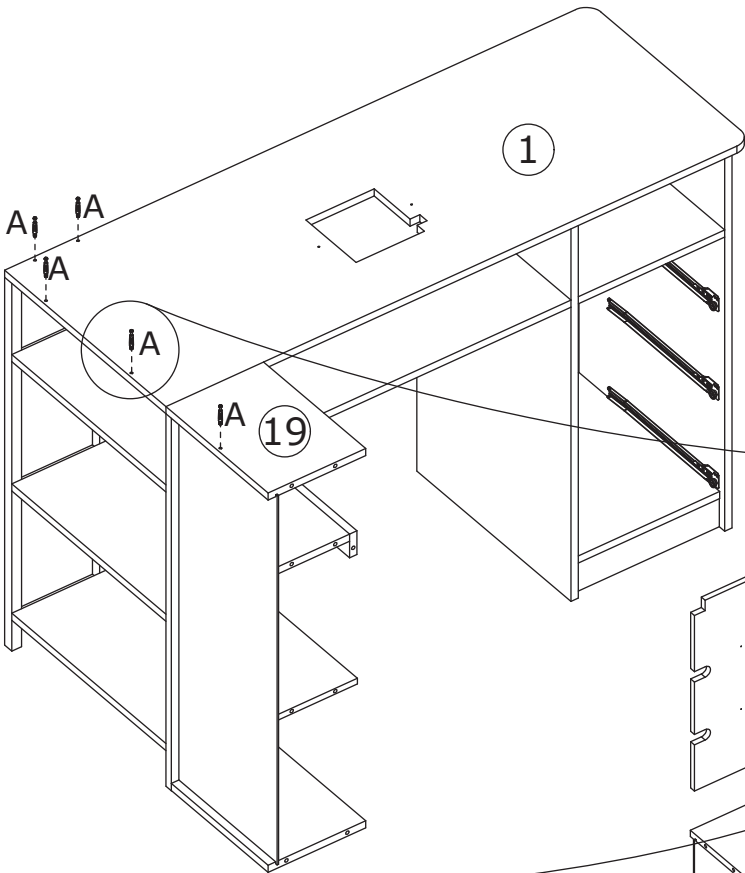
Install threaded rod A to board 17, connect boards 17 and 15, insert cam lock B and tighten.



19

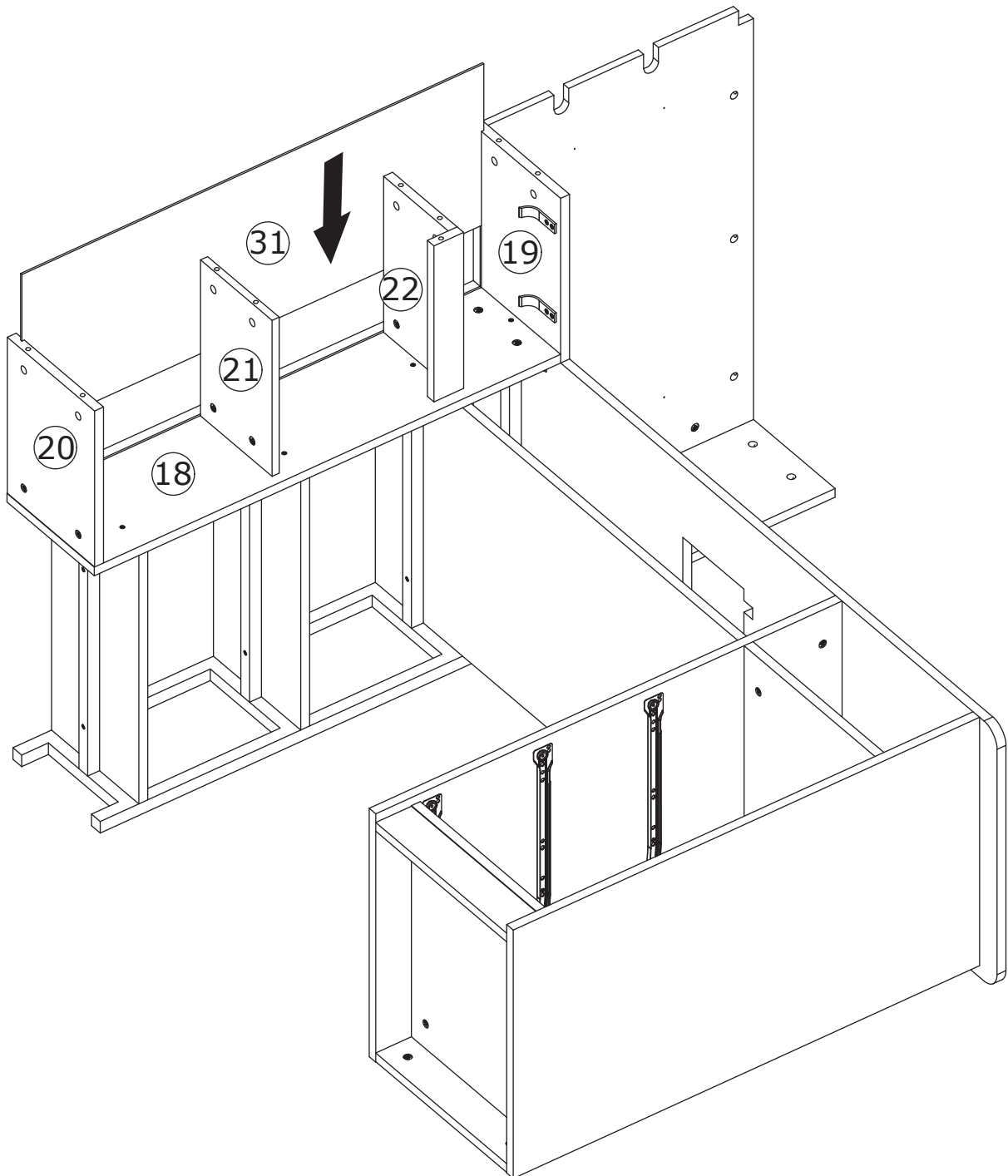


Install threaded rod A to boards 1 and 19, connect boards 15, 17, 1 and 19, insert cam lock B and tighten.



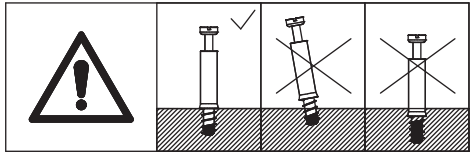
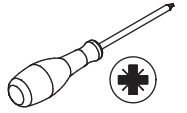
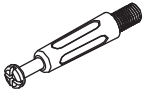
20

Insert board 31 into slots of boards 18, 19 and 20.

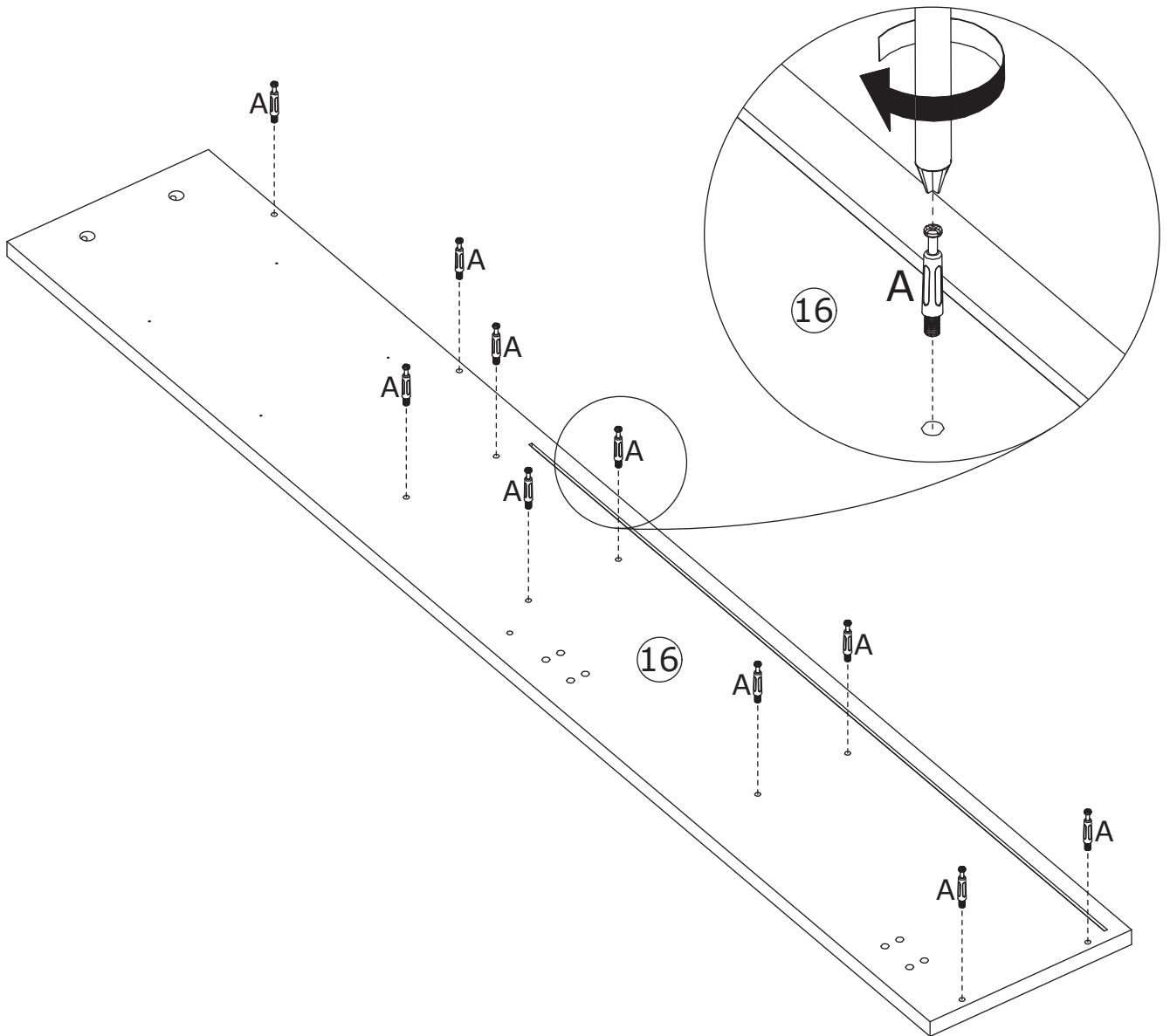


21

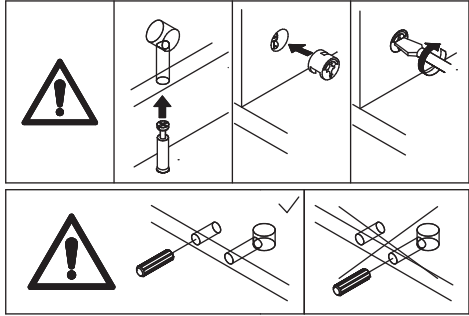
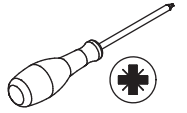
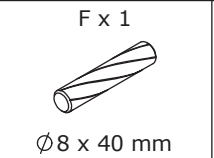
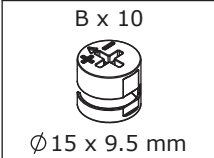
A x 10
Ø6 x 35 mm



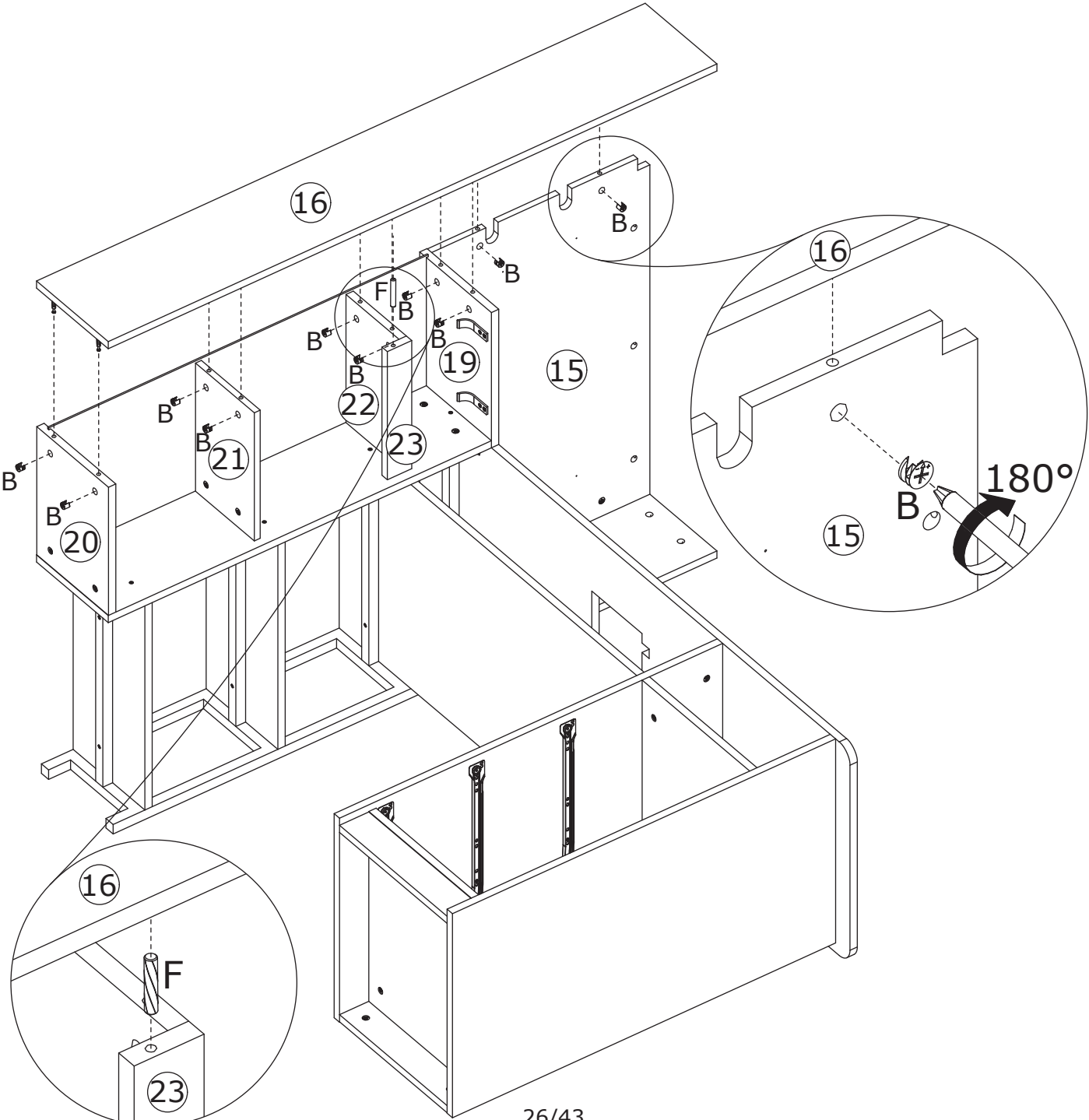
Install threaded rod A to board 16.



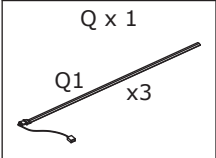
22



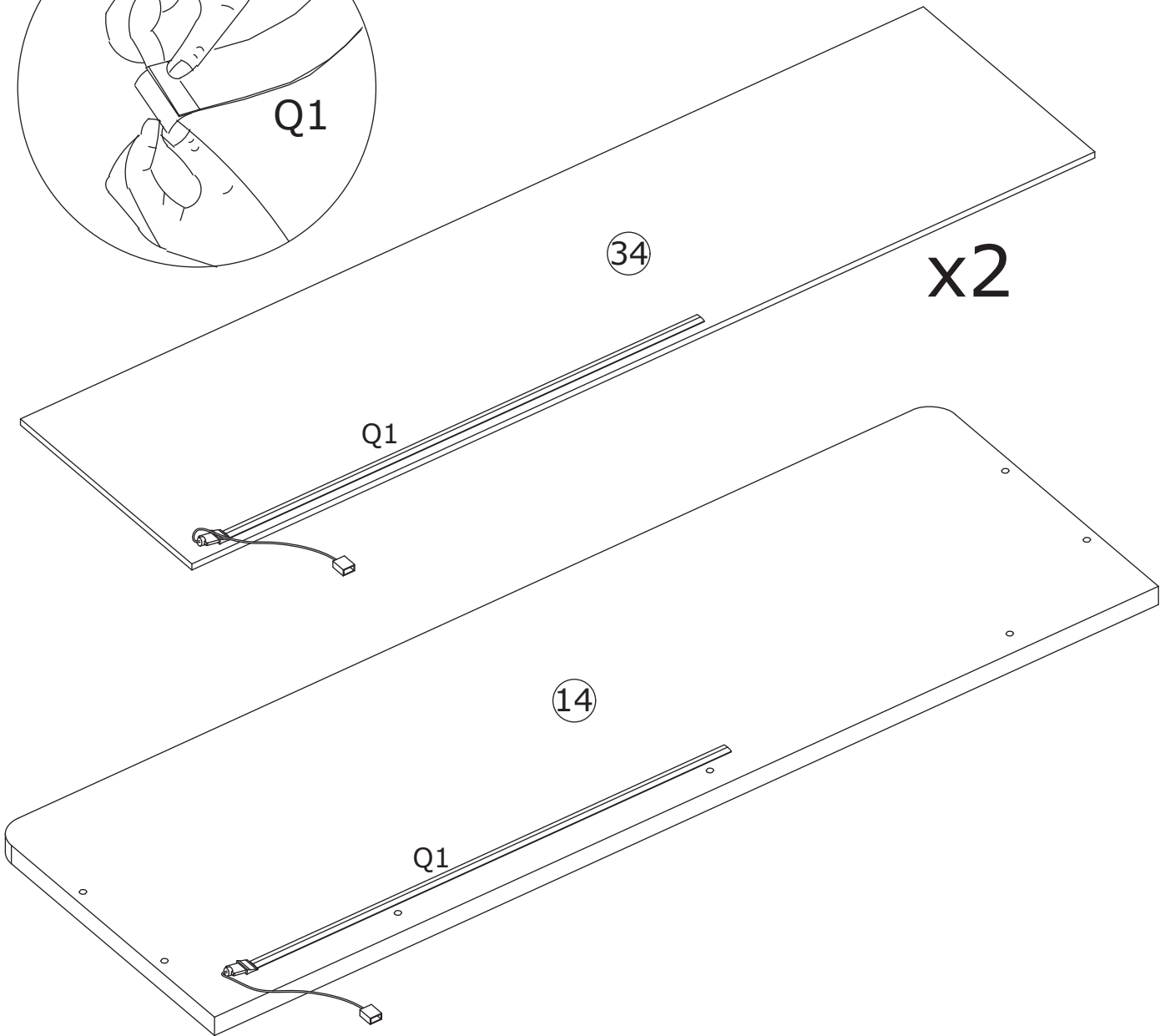
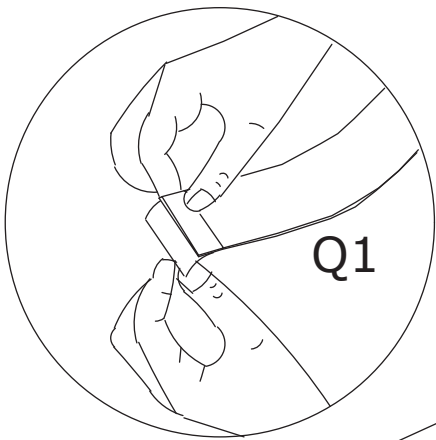
Insert dowel F into board 23 at first.
Connect board 16 to assembled structure,
insert cam lock B and tighten.



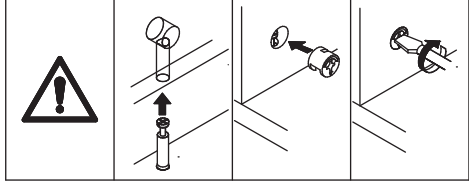
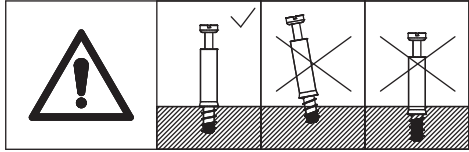
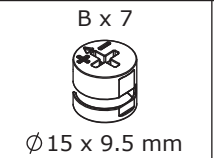
23



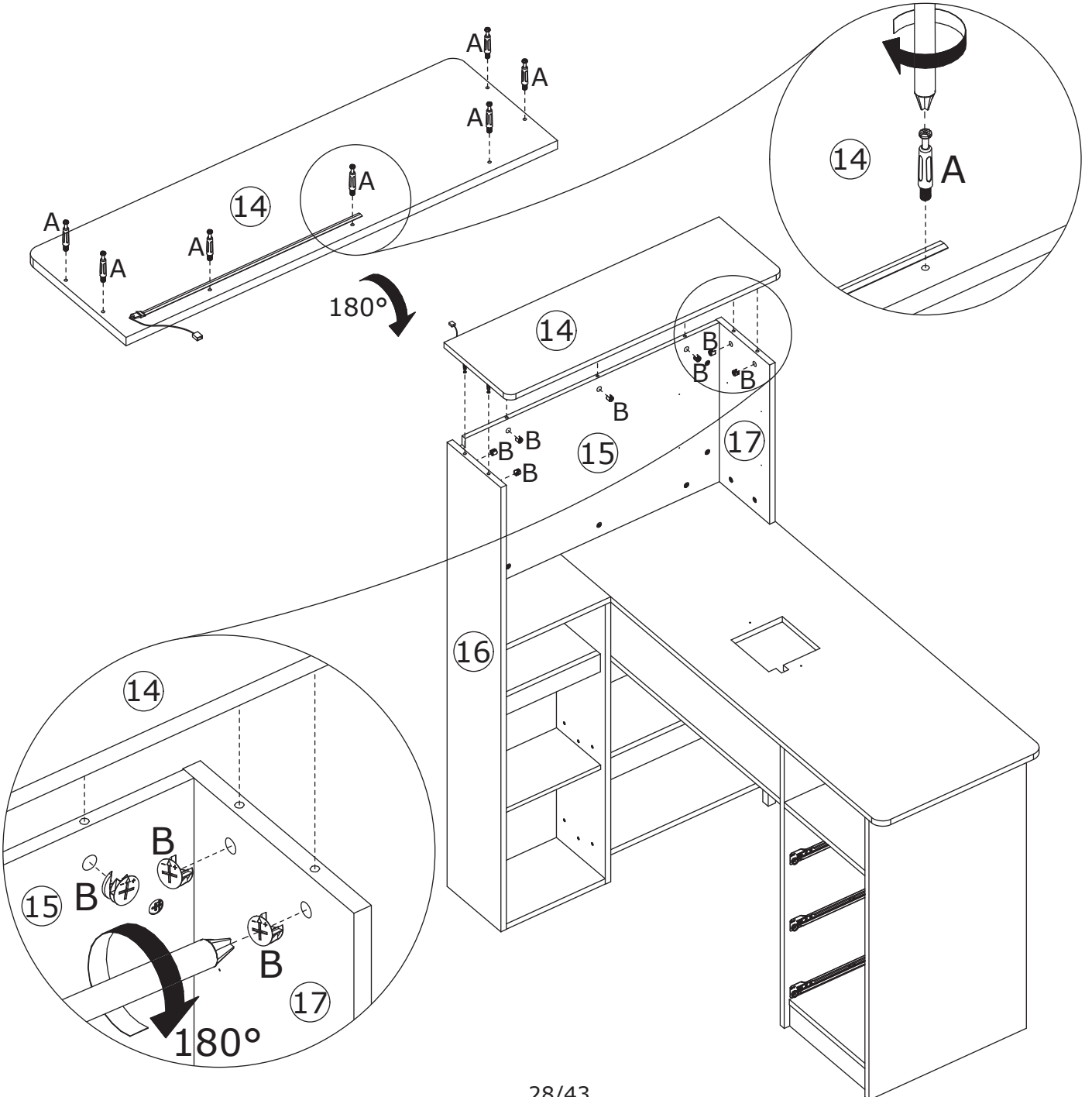
Remove protective film from light strip Q (Q1 section) and adhere to board 14 and glass panel 34.



24



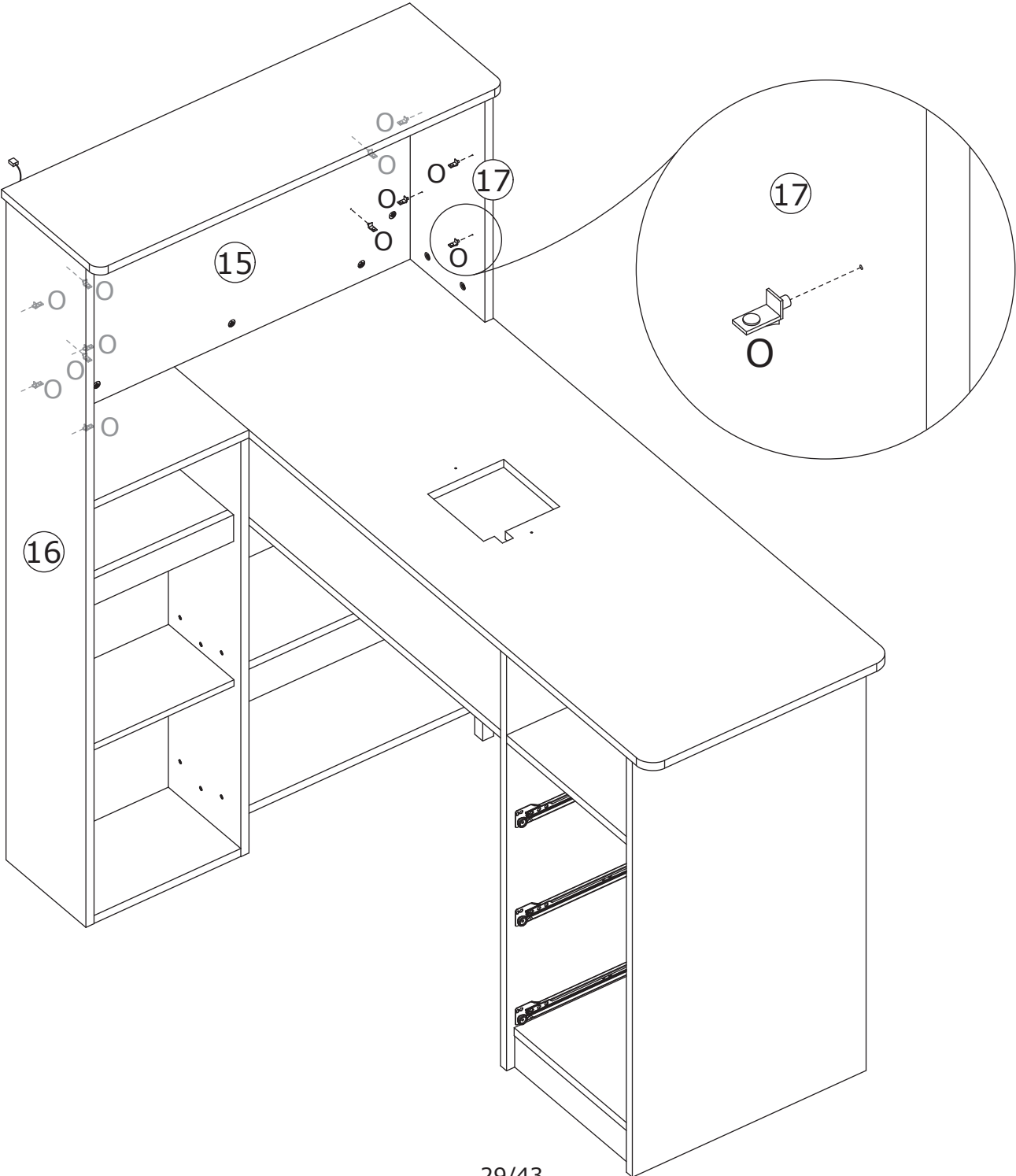
Install threaded rod A to board 14, connect boards 14, 15, 16 and 17, insert cam lock B and tighten.



25

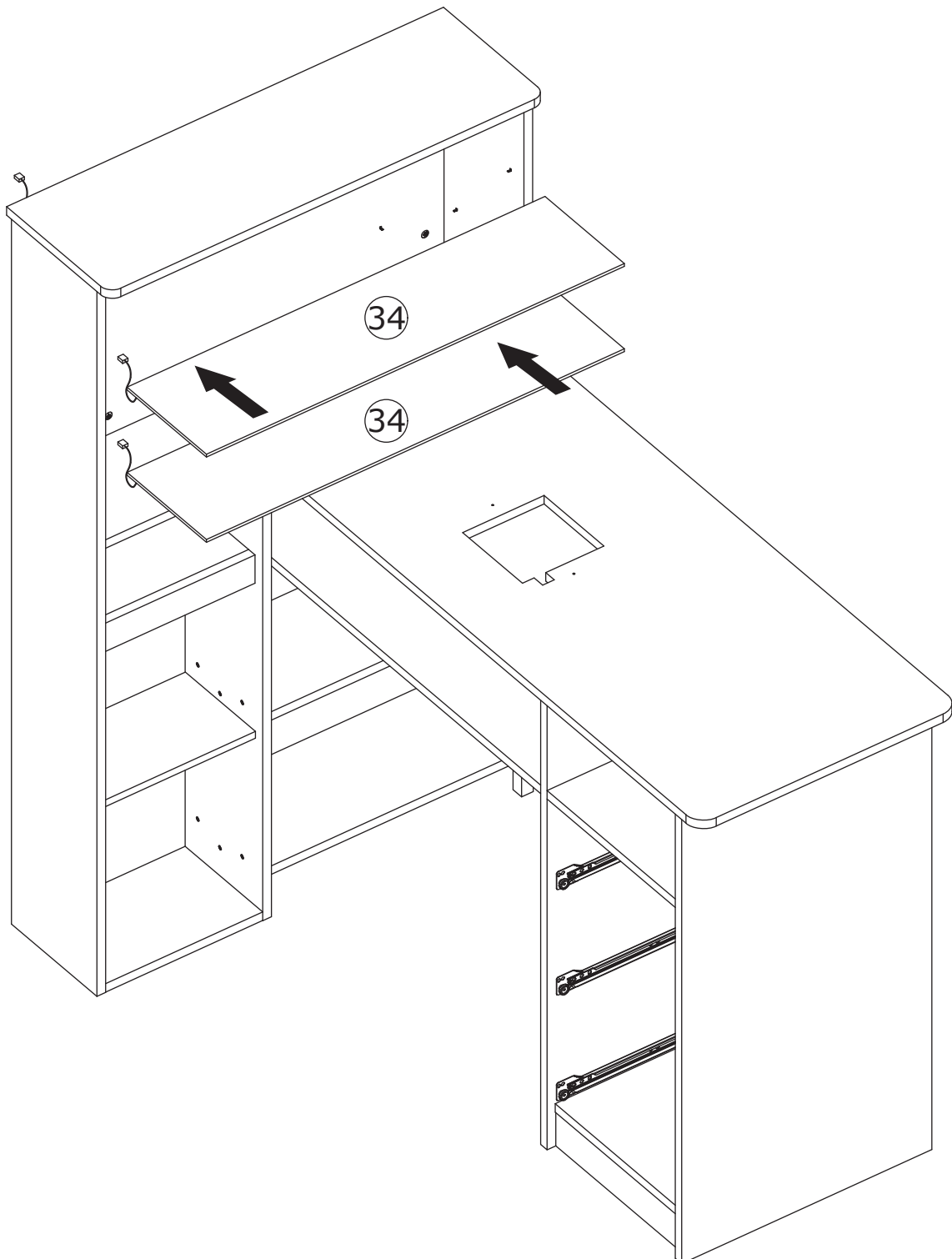


Insert accessory O into pre-drilled holes on boards 15, 16 and 17.



26

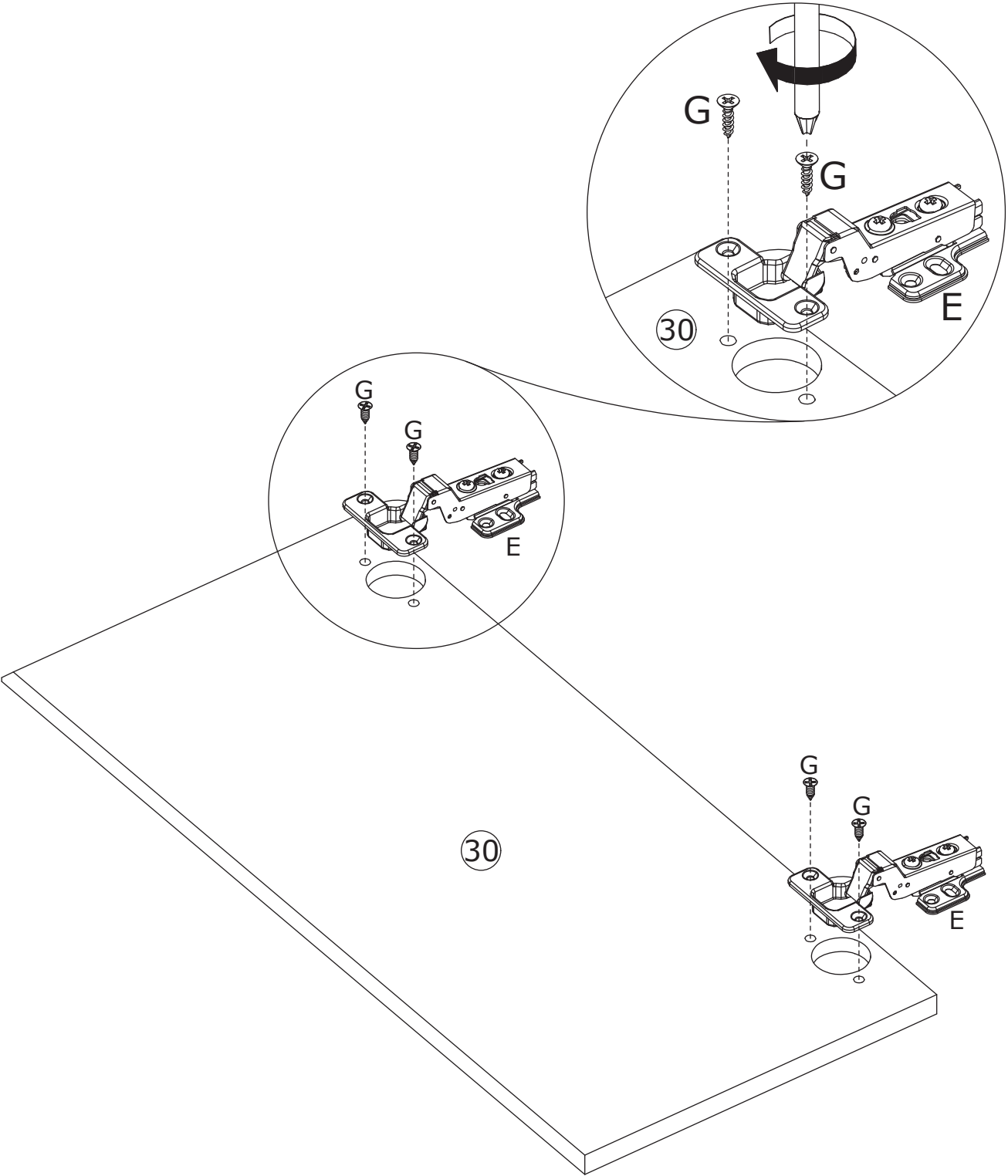
Place glass panel 34 onto accessory O.



27

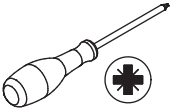
<p>E x 2</p> 	<p>G x 4</p>  <p>Ø3.5 x 14 mm</p>	
--	--	---

Mount hinge E to board 30 using screw G.

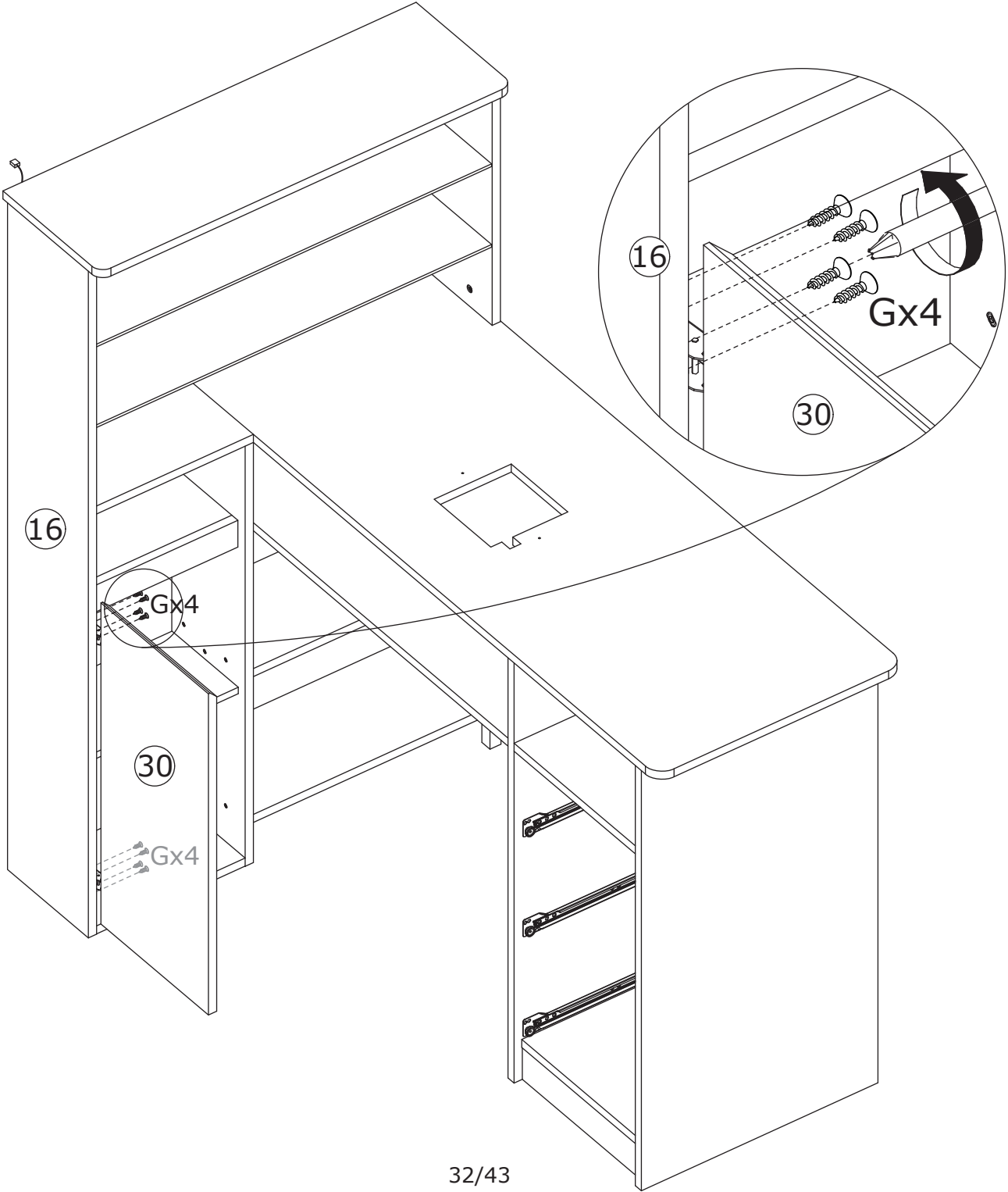


28

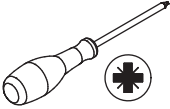
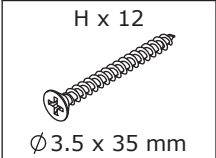
G x 8
Ø 3.5 x 14 mm



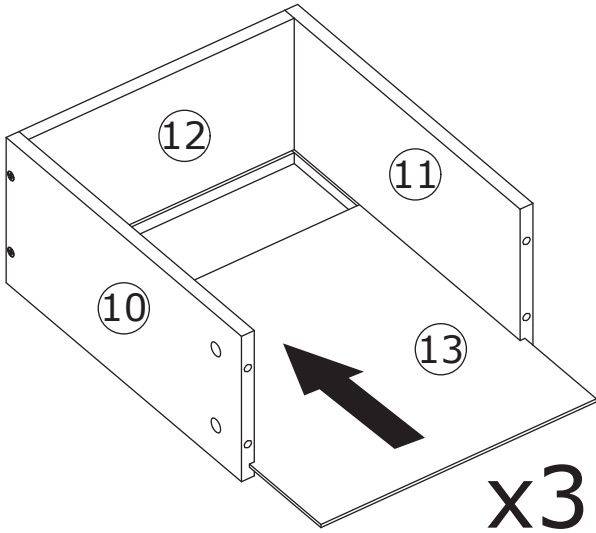
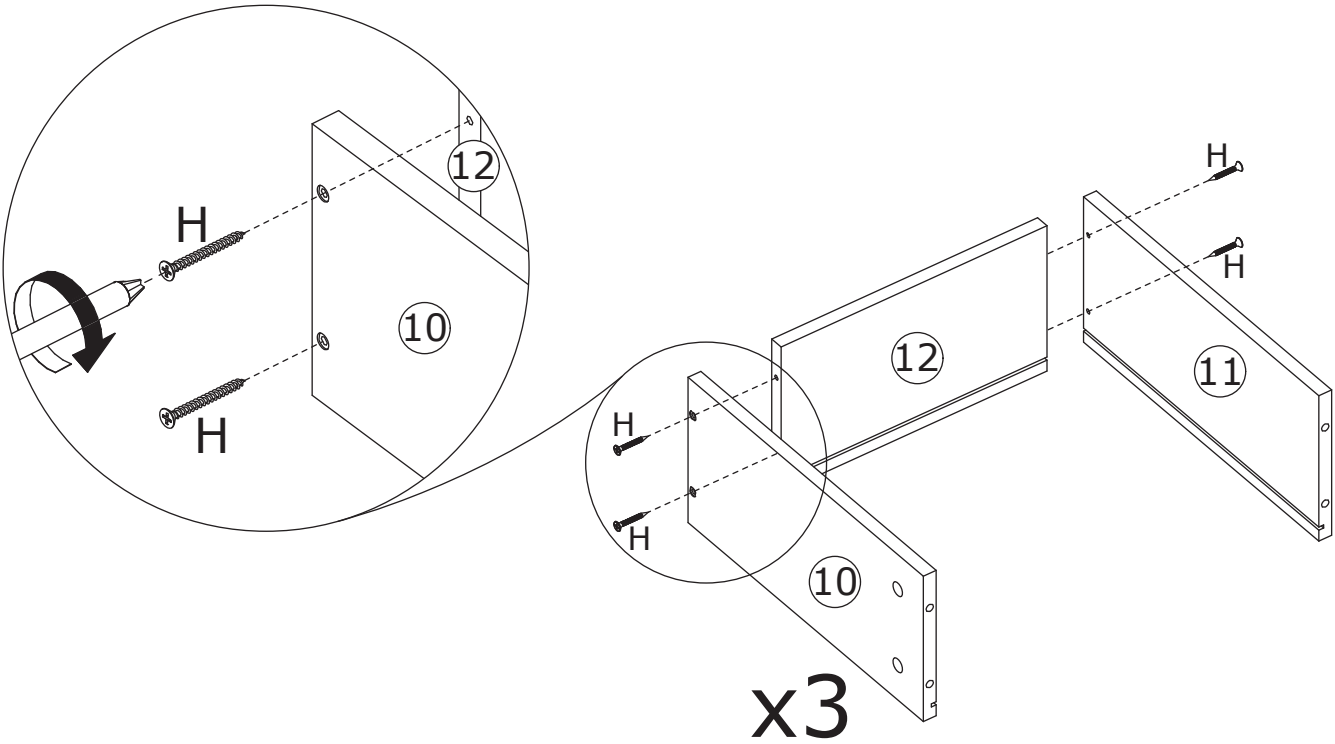
Secure hinge E to board 16 using screw G.



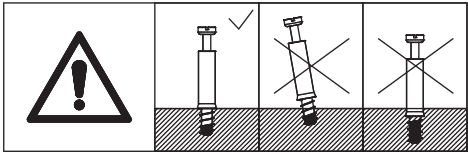
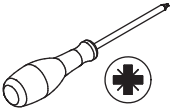
29



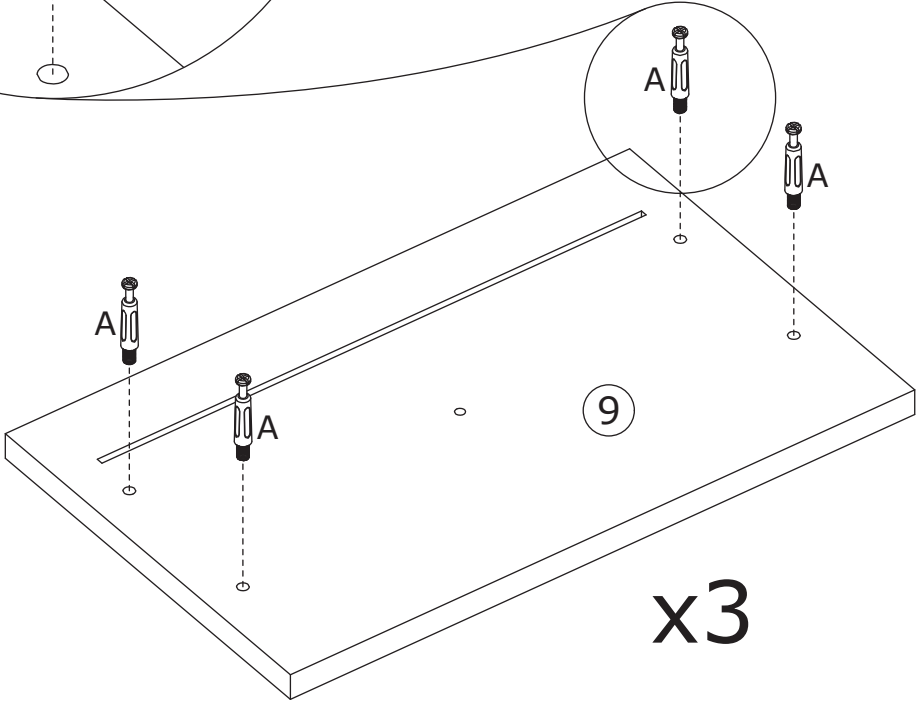
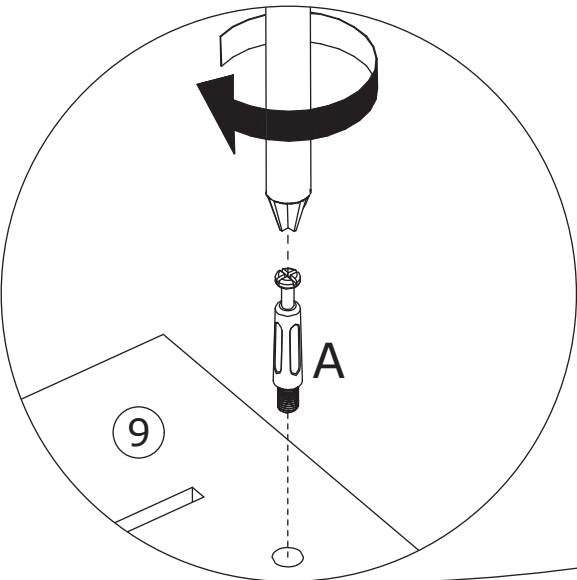
Fix boards 10 and 11 to board 12 with screw H, then insert board 13 into slots of boards 10, 11 and 12.



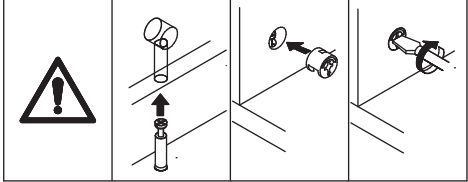
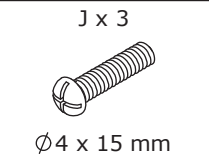
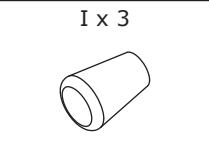
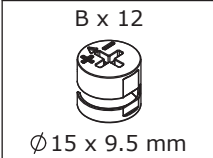
30



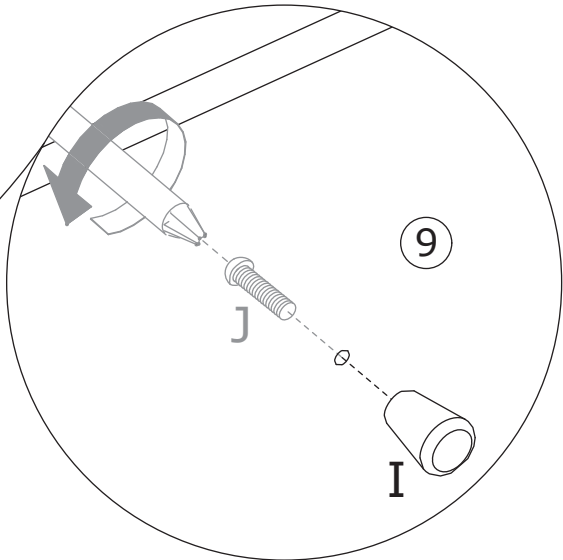
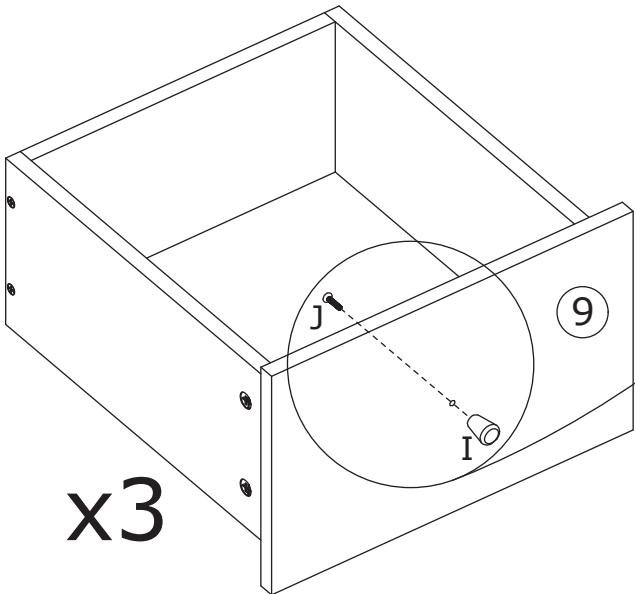
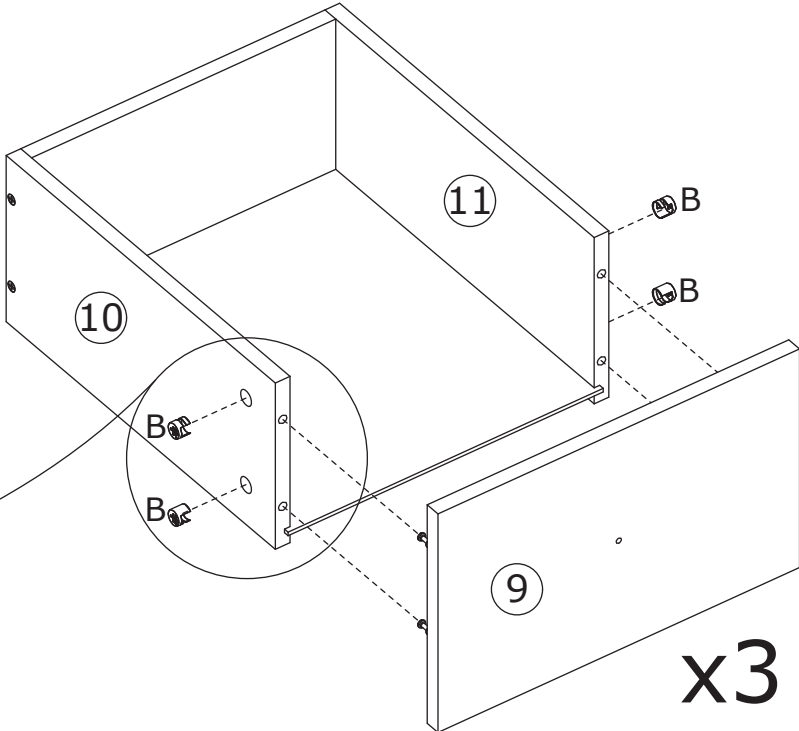
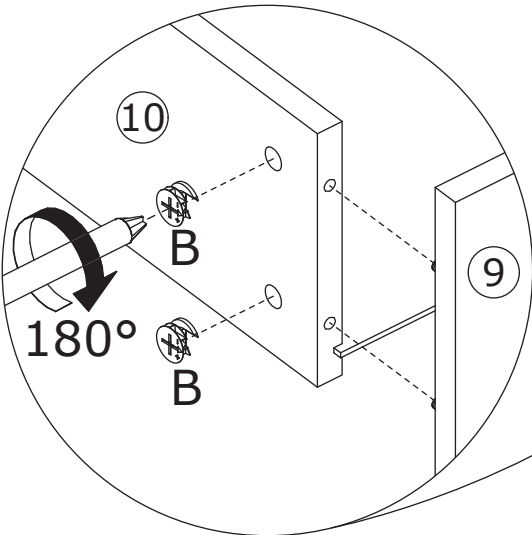
Install threaded rod A to board 9.



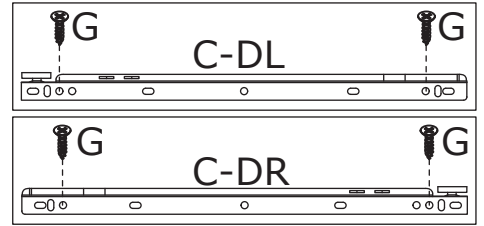
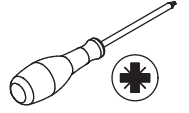
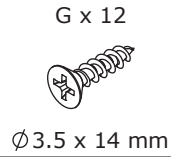
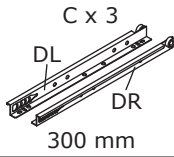
31



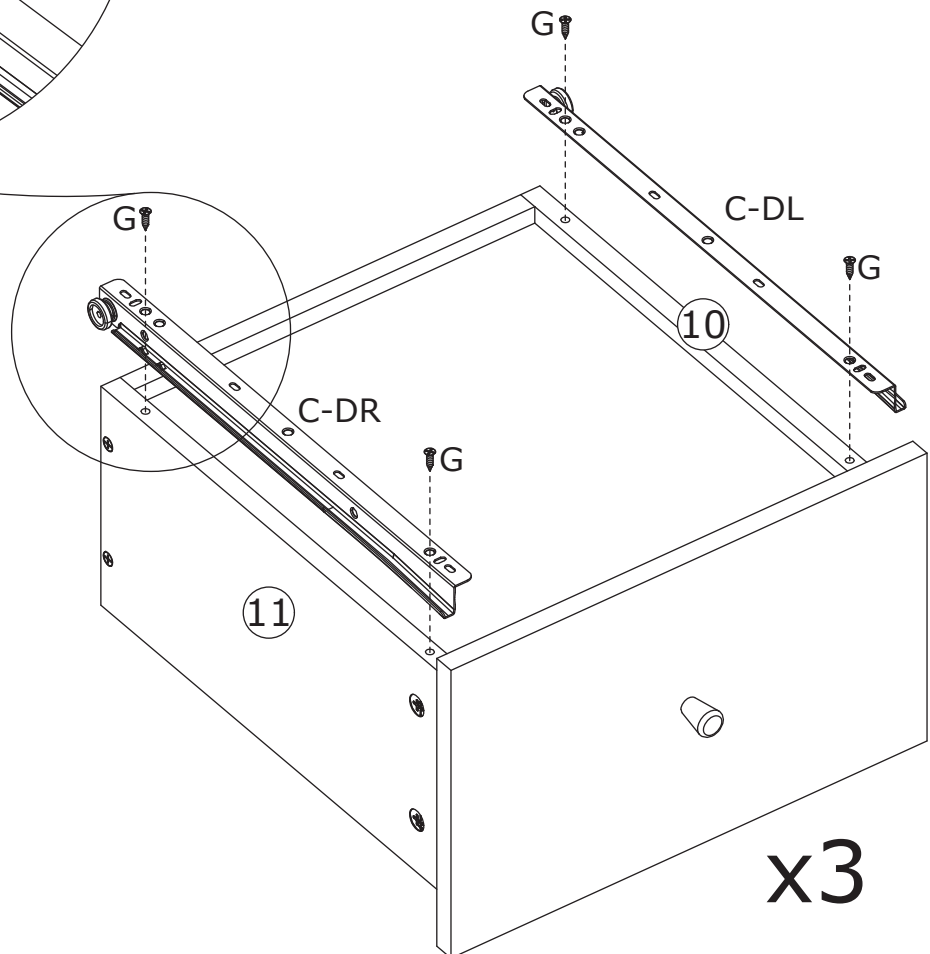
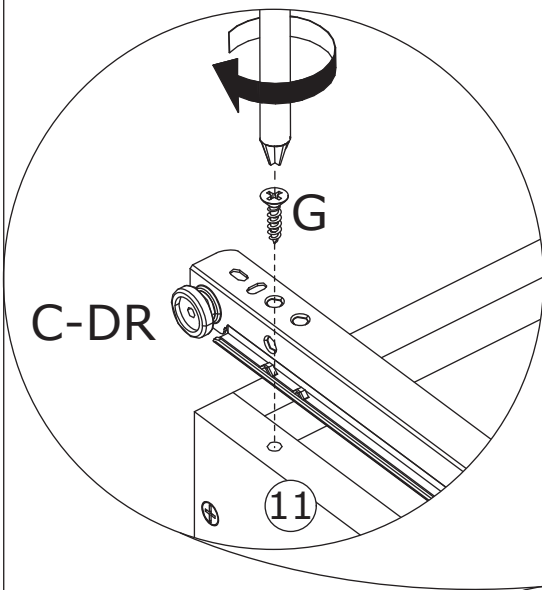
Connect board 9 to boards 10 and 11, insert cam lock B and tighten, then mount knob I to board 9 with screw J.



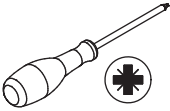
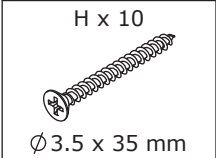
32



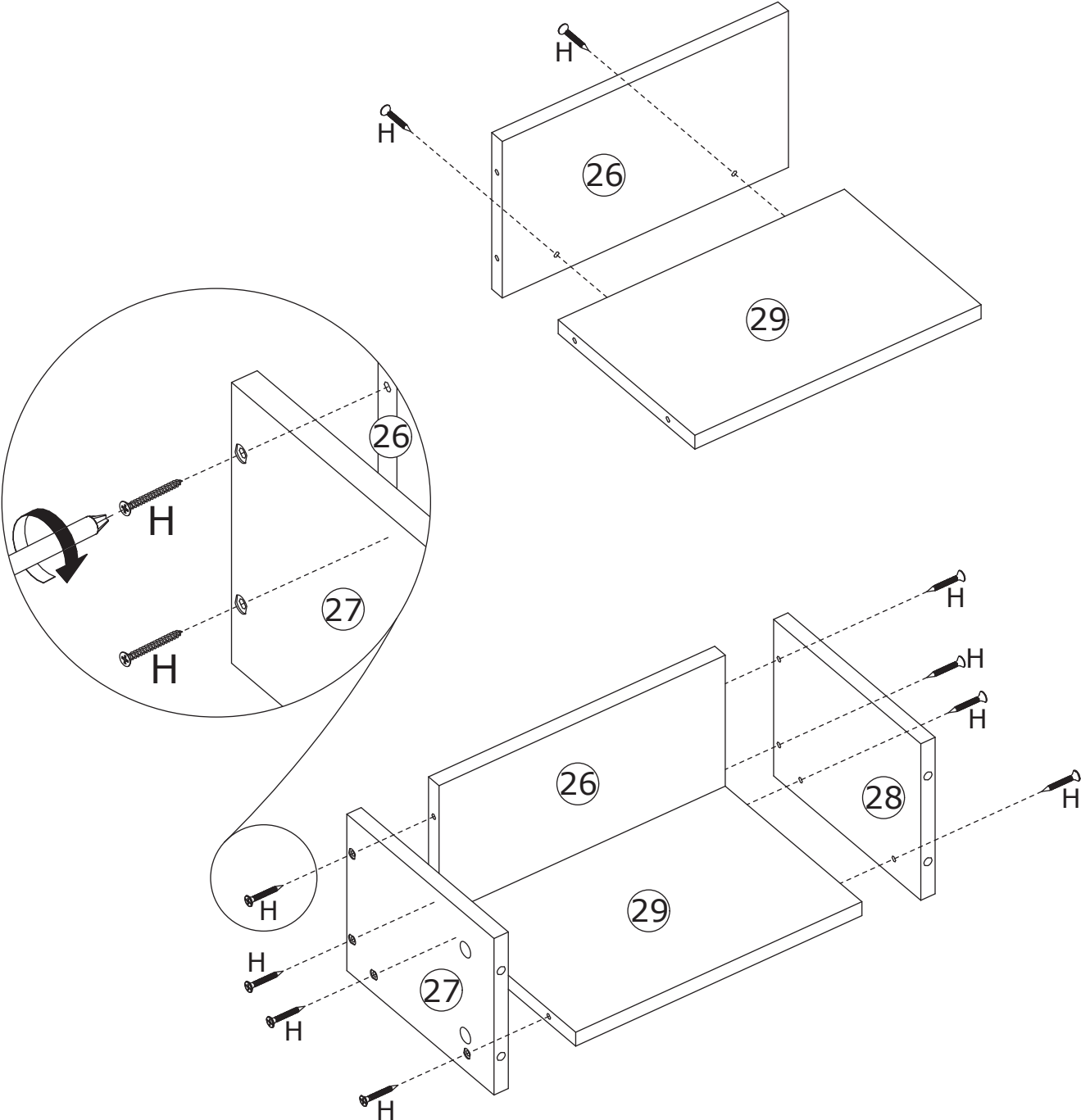
Secure rail C (DR and DL sections) to boards 10 and 11 using screw G.



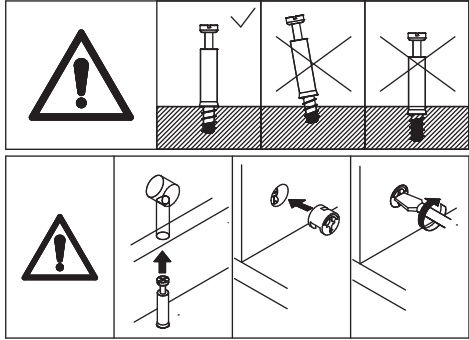
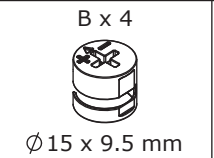
33



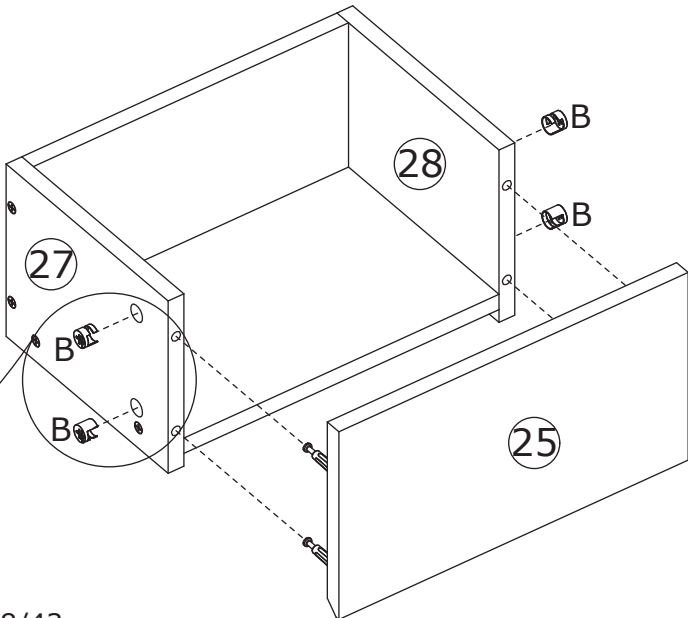
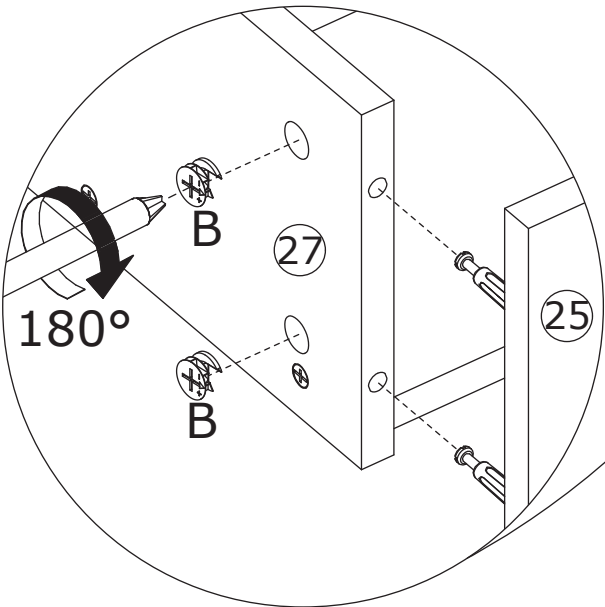
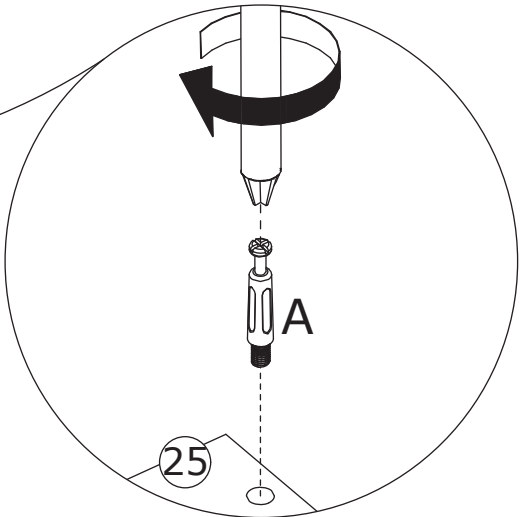
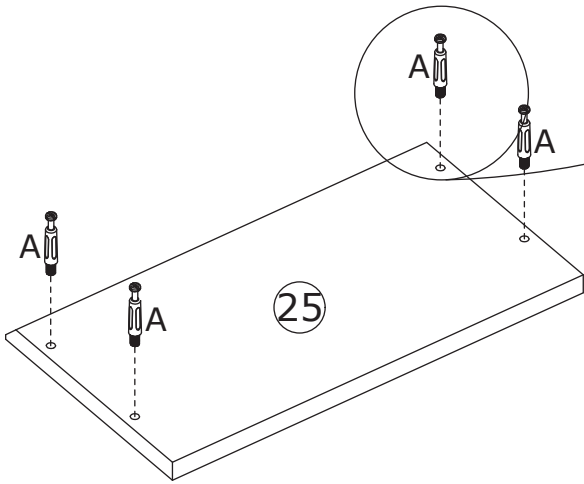
Fix board 26 to board 29 with screw H,
then secure boards 27 and 28 to boards
26 and 29 with screw H.



34

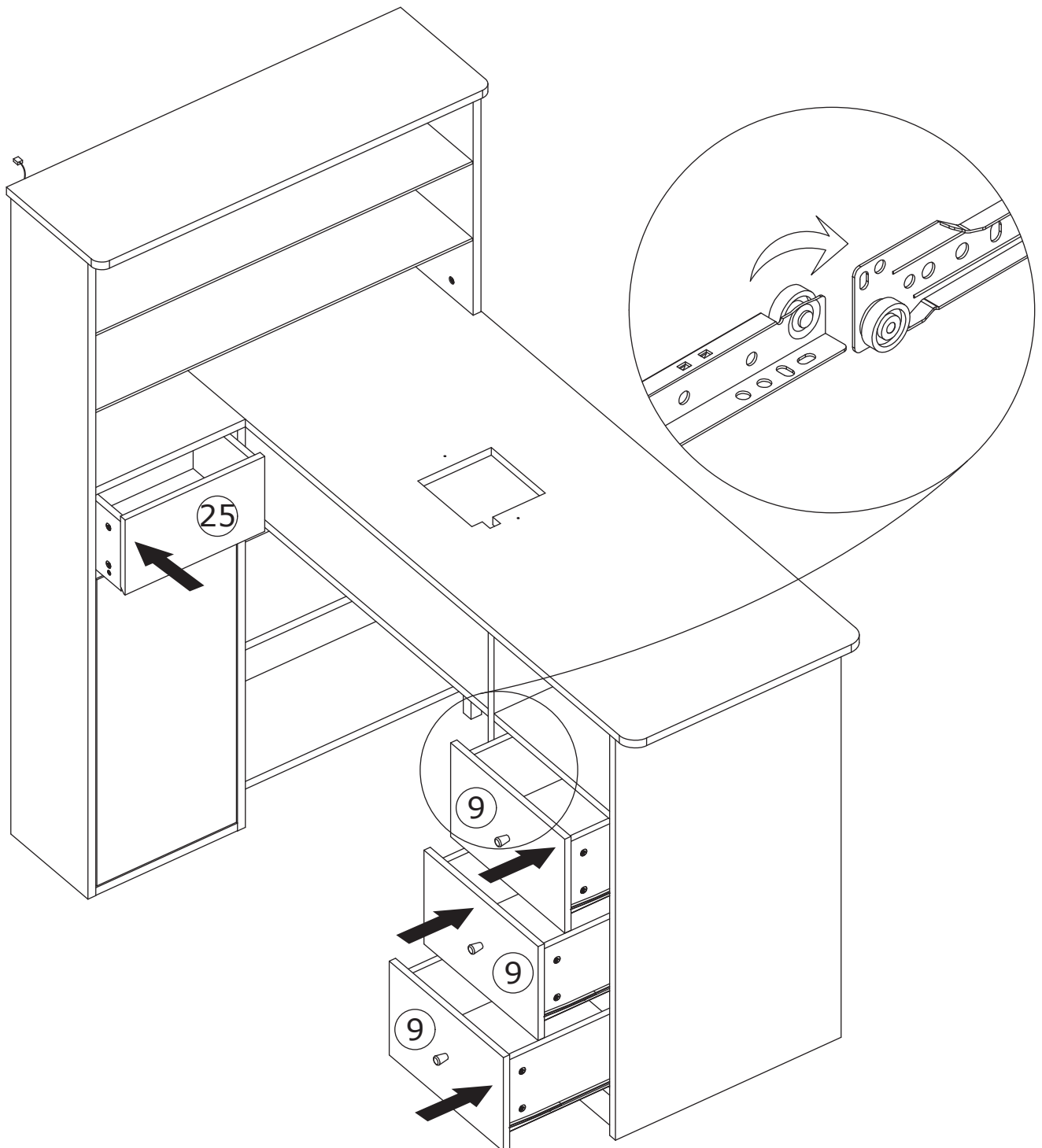


Install threaded rod A to board 25, connect boards 25, 27 and 28, insert cam lock B and tighten.

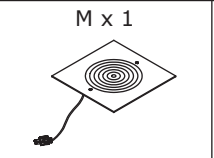
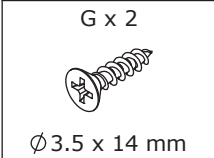


35

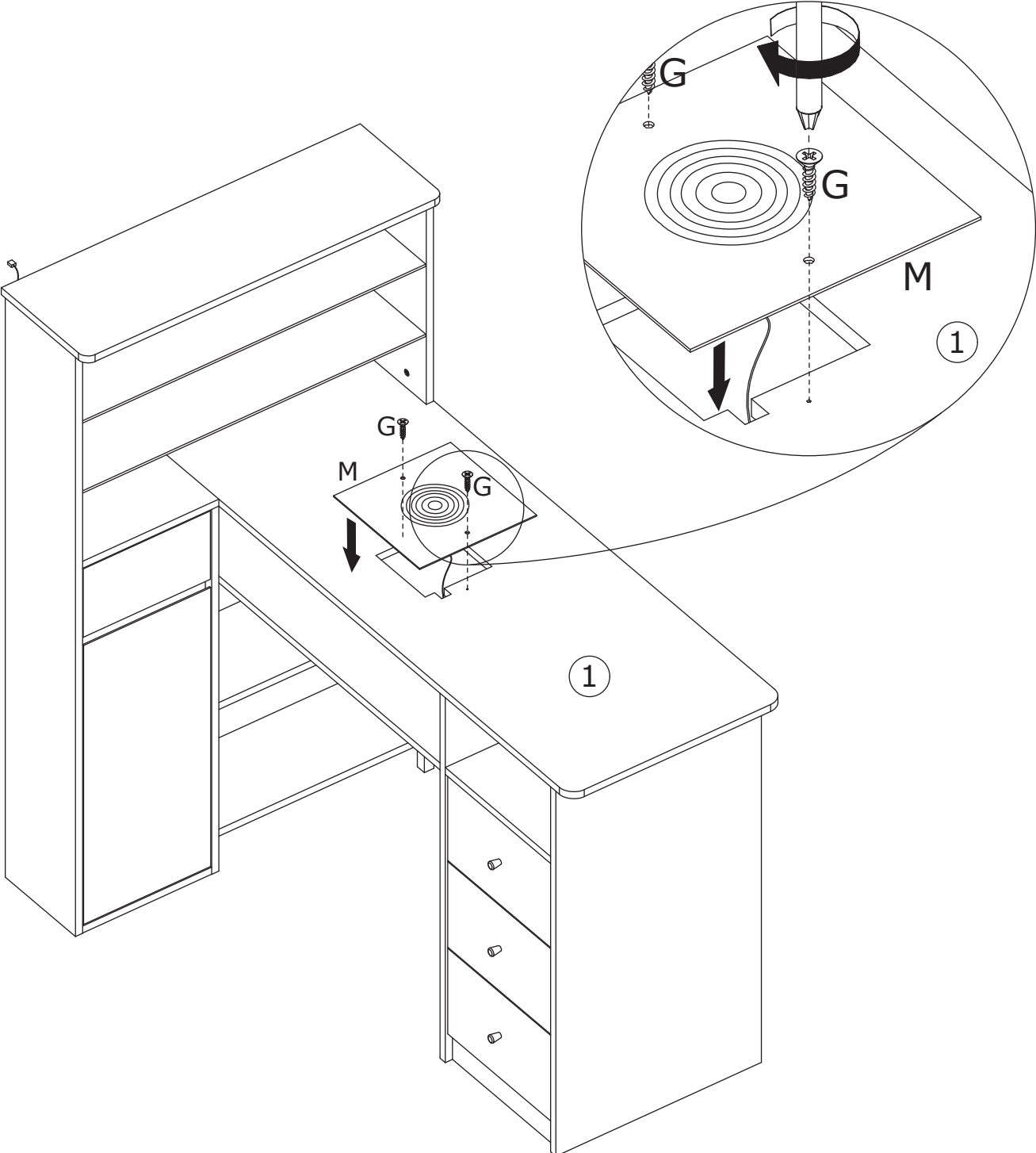
Insert assembled drawers into the unit.



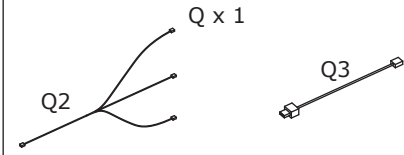
36



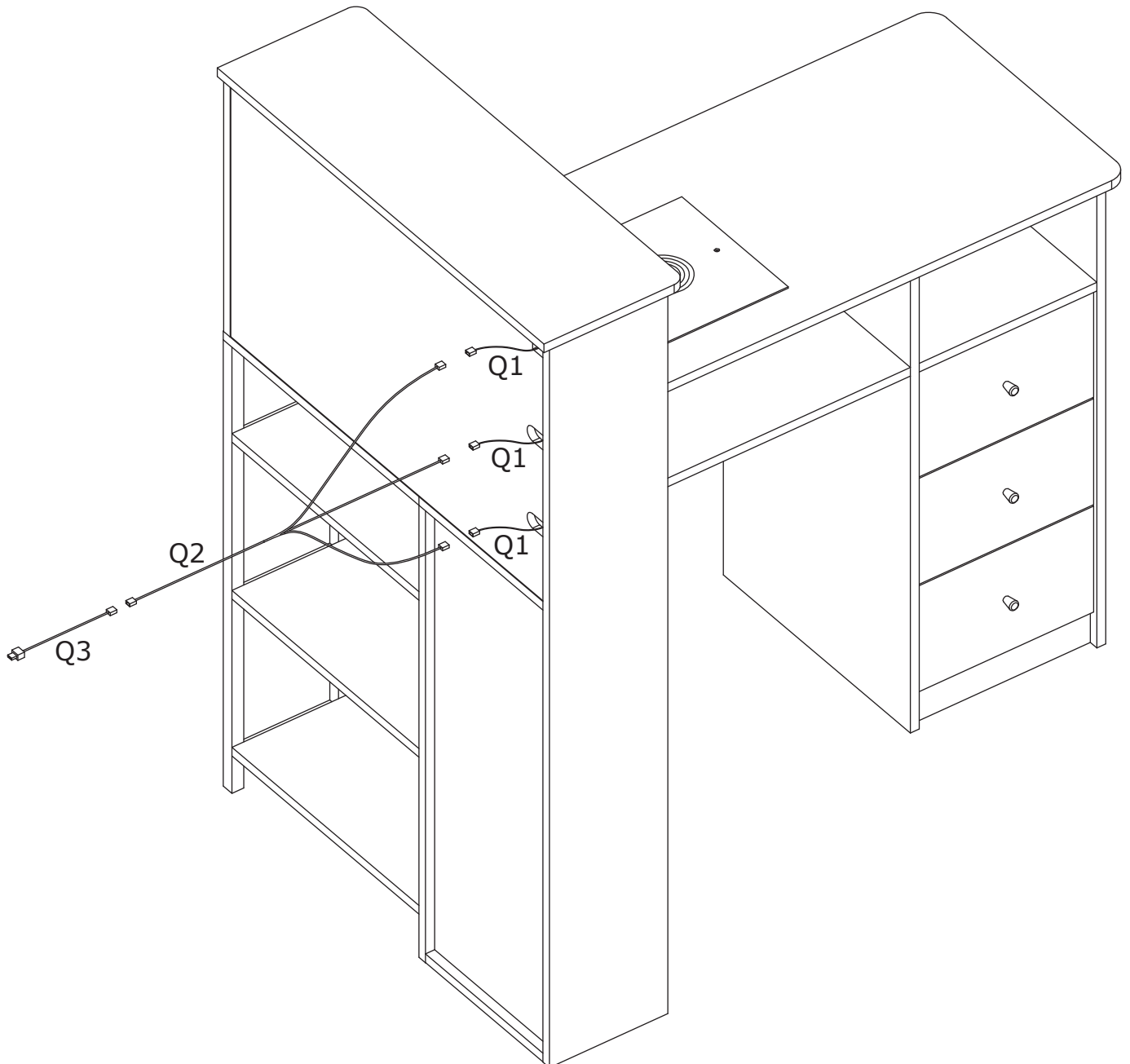
Mount vacuum cleaner M to board 1 with screw G, and attach dust collection bag underneath board.



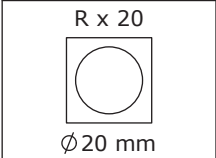
37



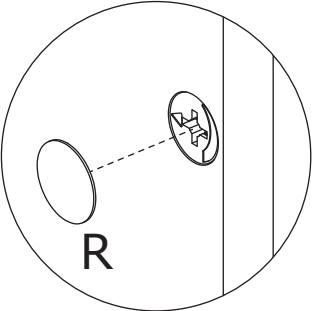
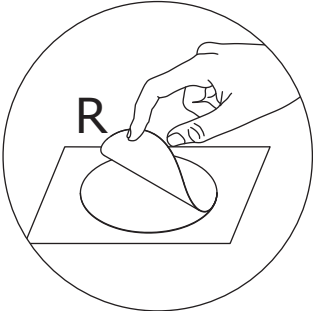
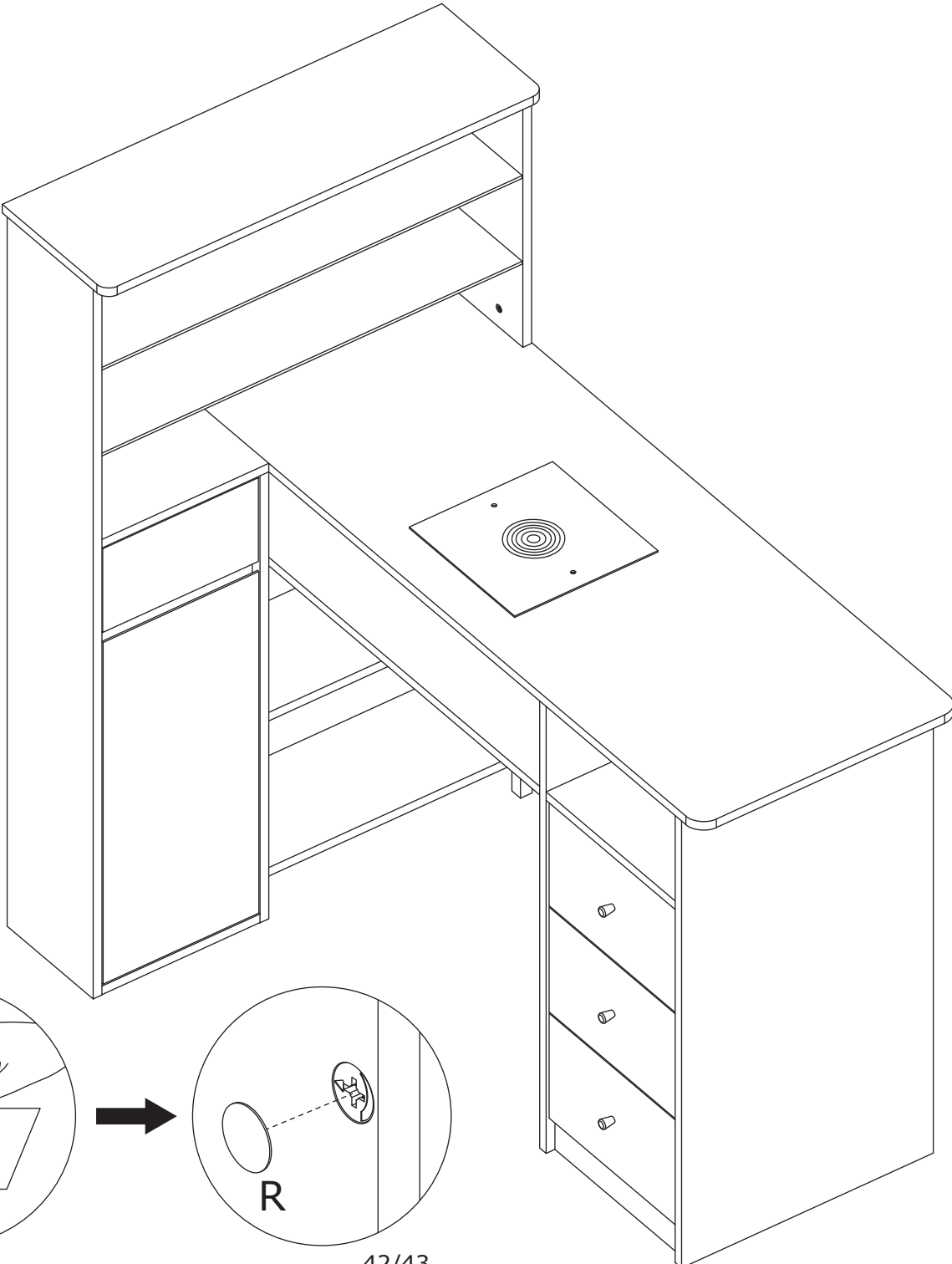
Route light strip Q (Q1 section) through pre-drilled hole in board 15, then connect Q2 and Q3 sections.

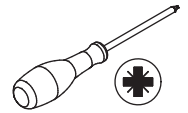


38



If needed, use hole cover R to conceal unwanted screw holes.

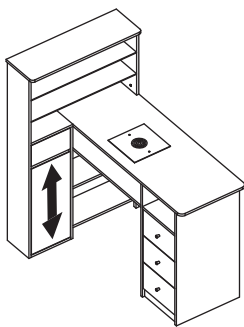
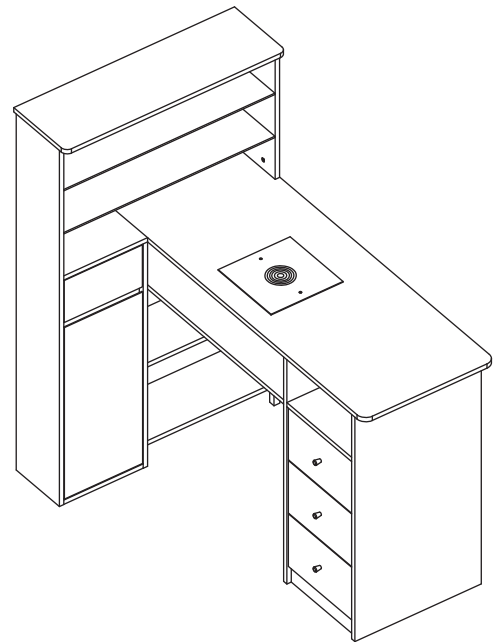




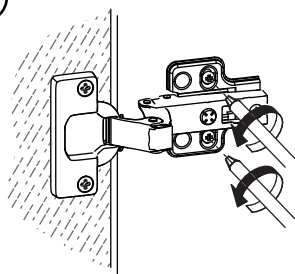
If doors are still not aligned if the hinges are properly correctly, please watch the video.

<https://youtu.be/n0Lb36SoODM>

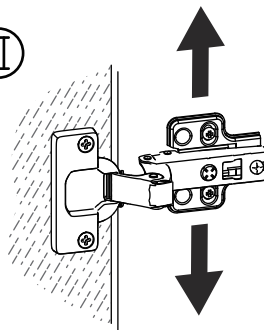
If there is misalignment after you install, adjust the screw to the best condition



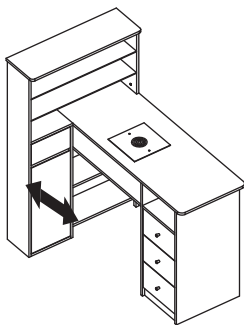
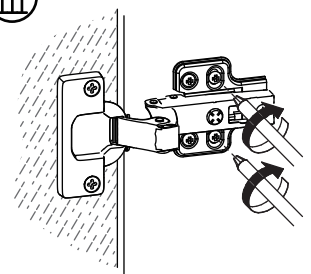
Ⓘ



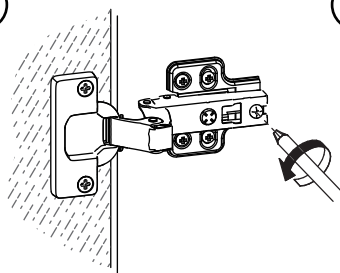
Ⓙ



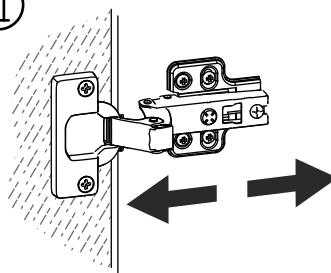
Ⓚ



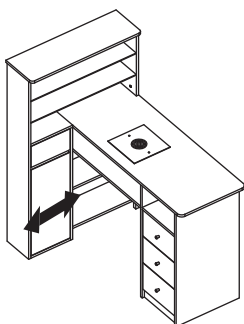
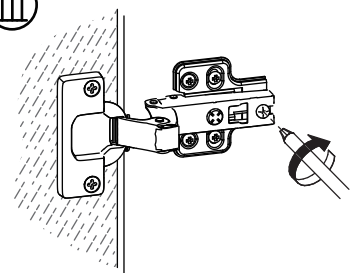
Ⓘ



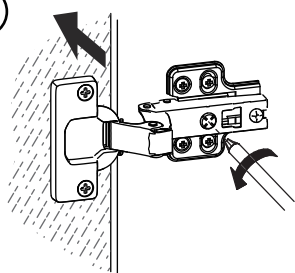
Ⓙ



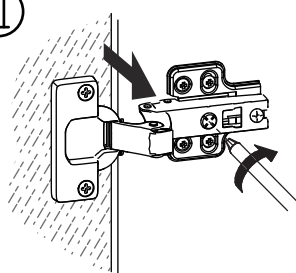
Ⓚ



Ⓘ



Ⓙ



WARRANTY

WARRANTY CLAIMS

- There is a 30-day warranty for broken furniture or any other problems that do not work properly. The warranty will start from the date of purchase which must be verified by proof of purchase.
- Before making a claim, we may be able to answer your query, simply call us. Please leave your purchase order number, along with some details of the problem, if you want a replacement part. We will arrange within 48 hours. If there is out of stock, we will reply with a shipping date.
- The product must be used in accordance with the instructions provided. For health reasons.
- For other reasons, if the furniture needs to be returned, it must be cleaned and dried and operated within 30 days of receipt.

Type of Warranty Claim

- Failure to follow the furniture instructions will invalidate the warranty. Attention please.
- Does not include damage during installation, but includes damage during transportation.

Scope of responsibility

- Shall not bear any responsibility for misuse or user damage and / or loss of parts during the installation of furniture.
- After using, the damage and scratches of the furniture are not covered by the warranty.

The Warranty Relates to All Bought in The Us and Covers The Following Areas

- Sheet parts: 1 month from the date of purchase.
- Electrical parts: 1 month from the date of purchase.

RETURNS

CHANGED YOUR MIND AND NEED TO RETURN YOU ITEM?

PLEASE FOLLOW THE BELOW INSTRUCTIONS:

- If you have purchased and have simply changed your mind, follow the retailer's instructions for returns.

DEFECTIVE ITEMS

- If your item is defective in any way, i.e. it doesn't work but you can't identify why, in the first instance, please call us.

DAMAGED ITEMS

- If you receive an order with obvious shipping damage from the retailer, then we suggest the delivery is refused. If the delivery has been accepted and then shipping damage is found, please follow the specific instructions advised by the retailer.
In all circumstances please save all packaging material and paperwork for the order. Please be aware that if you dispose of packaging material or attempt to return the merchandise without contacting the fulfiller, you jeopardise your chances of making a claim, and you may not receive a credit for the return.

AFTER-SALES CONTACT



adelahu@fufugaga.com



208-820-0068