

ASSEMBLY INSTRUCTIONS



Fine Furniture for every stage of life

(B1&B2)
Dining Table

ASSEMBLY INSTRUCTIONS

ASSEMBLY TIPS:

1. Remove hardware from box and sort by size.
2. Please check to see that all hardware and parts are present prior to start of assembly.
3. Please follow attached instructions in the same sequence as numbered to assure fast & easy assembly.



WARNING!

1. Don't attempt to repair or modify parts that are broken or defective. Please contact the store immediately.
2. This product is for home use only and not intended for commercial establishments.



ASSEMBLY TIME

15 MINUTES

PARTS IDENTIFICATION

B1(BOX 1)

A TOP 1PC



B LEG CONNECTOR 1PC



B2(BOX 2)

C LEG FRAME 4PCS



HARDWARE IDENTIFICATION

B1(BOX 1) - HARDWARE PACK IS LOCATED IN (B1)

1 BOLT (JCBC M6 X 25mm) 16PCS



2 ALLEN WRENCH (M4 - BLK) 1PC



3 LOCK WASHER (M6 - BLK) 16PCS

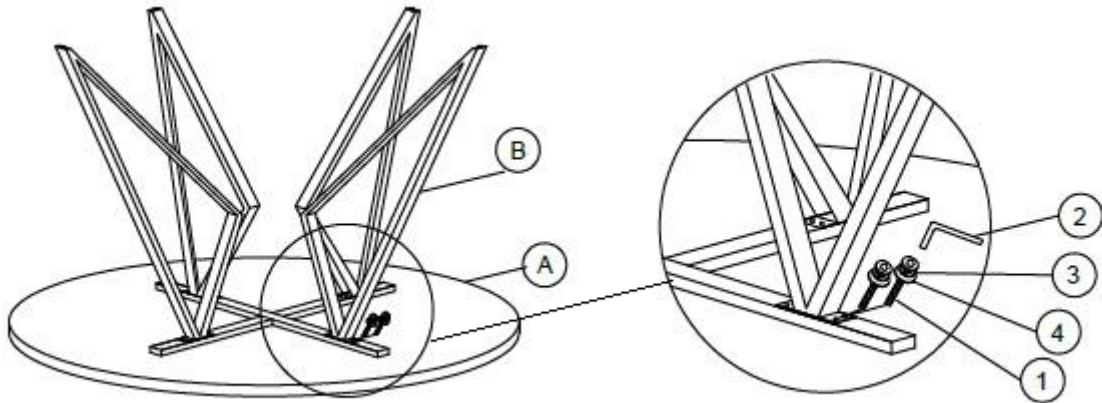


4 FLAT WASHER (M6 - BLK) 16PCS

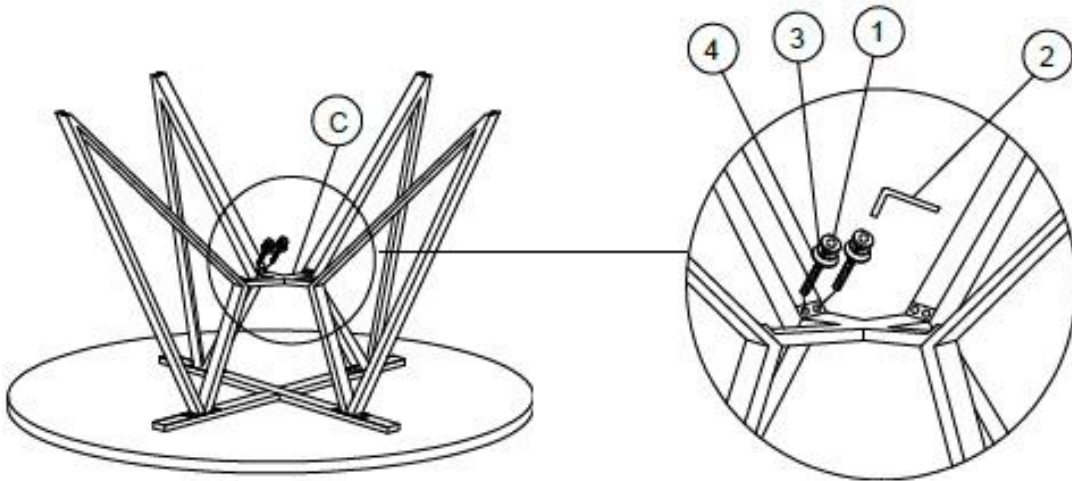


ASSEMBLY INSTRUCTIONS

STEP 1

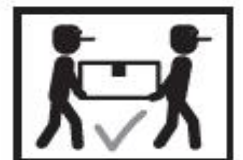
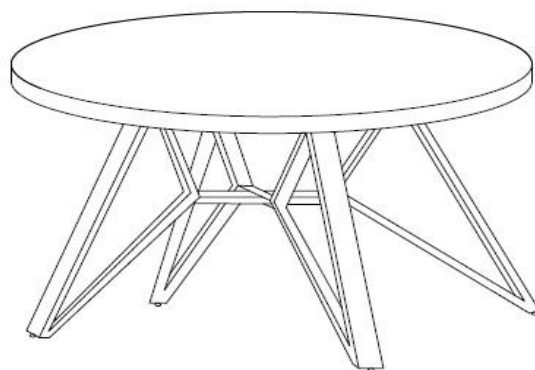


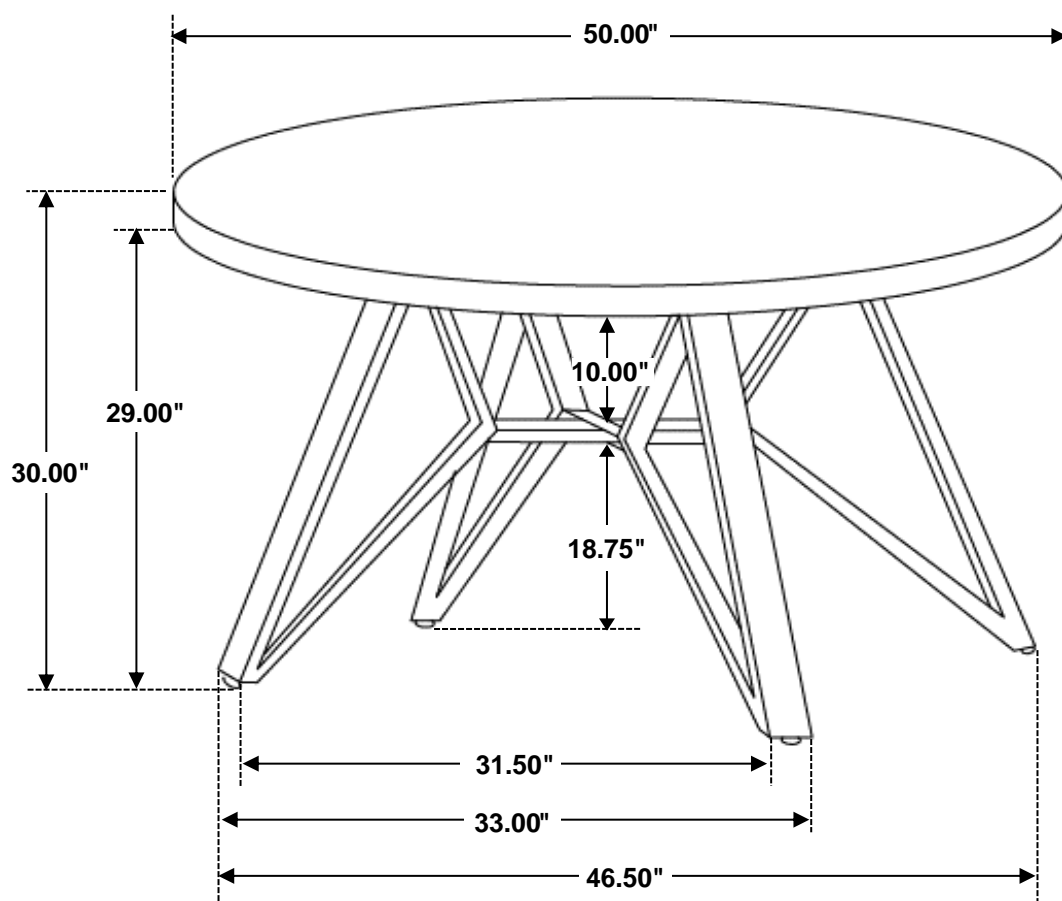
STEP 2



STEP 3

COMPLETE





Note: Dimension tolerance $\pm 5\%$

ASSEMBLY INSTRUCTIONS



DINING CHAIR

ASSEMBLY INSTRUCTIONS

ASSEMBLY TIPS:

1. Remove hardware from box and sort by size.
2. Please check to see that all hardware and parts are present prior to start of assembly.
3. Please follow attached instructions in the same sequence as numbered to assure fast & easy assembly.

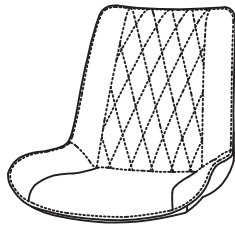


WARNING!

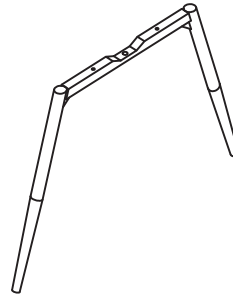
1. Don't attempt to repair or modify parts that are broken or defective. Please contact the store immediately.
2. This product is for home use only and not intended for commercial establishments.

ASSEMBLY TIME

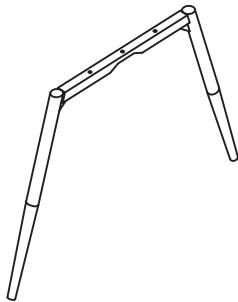
5 MINUTES



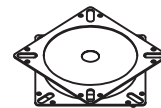
A SEAT AND BACK 1PC



C LOWER LEG 1PC







B UPPER LEG 1PC

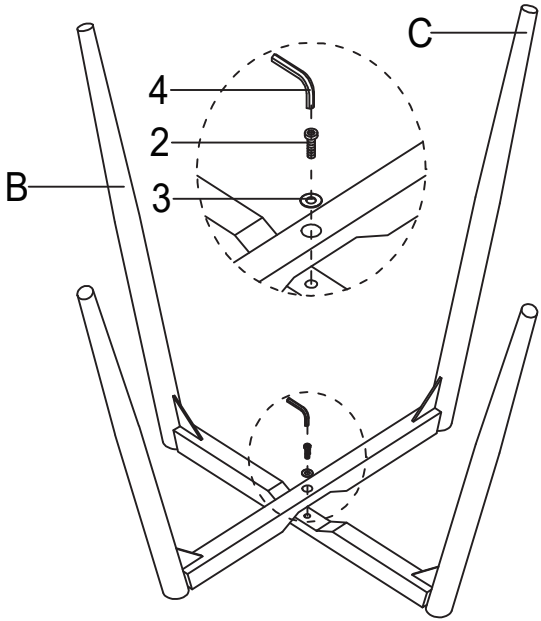


D SWIVEL 1PC

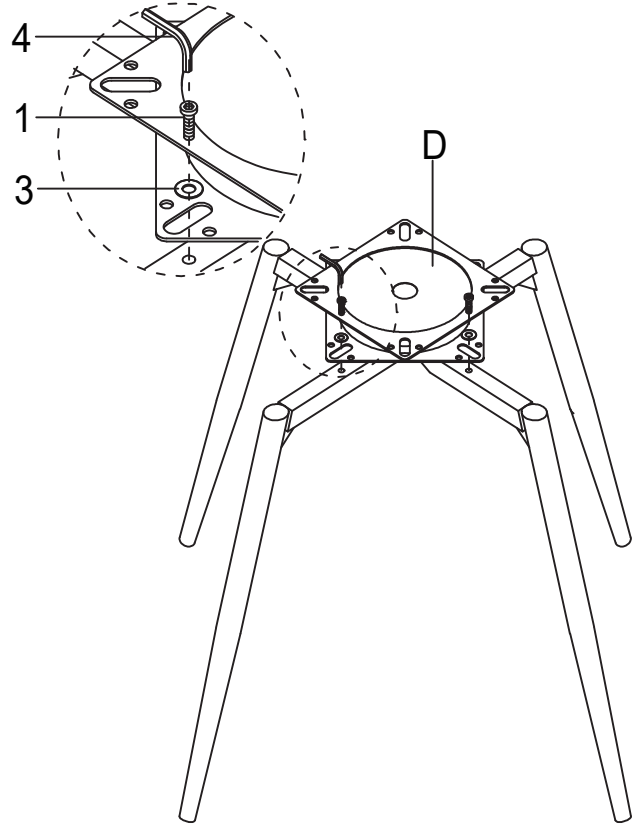
HARDWARE IDENTIFICATION

Z	HARDWARE NAME	FIGURE	QTY
1	BOLT	 M6*16	6PCS
2	BOLT	 M6*25	3PCS
3	FLAT WASHER		9PCS
4	ALLEN WRENCH	 M5	1PC

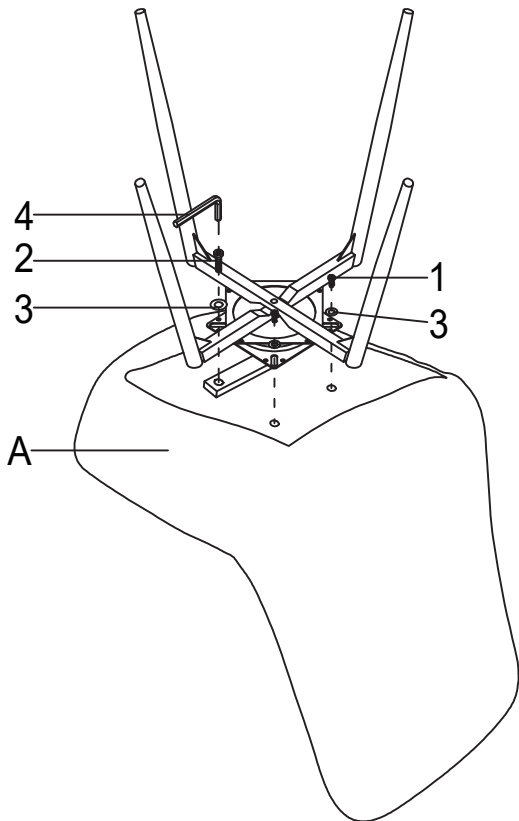
STEP 1



STEP 2



STEP 3



STEP 4

