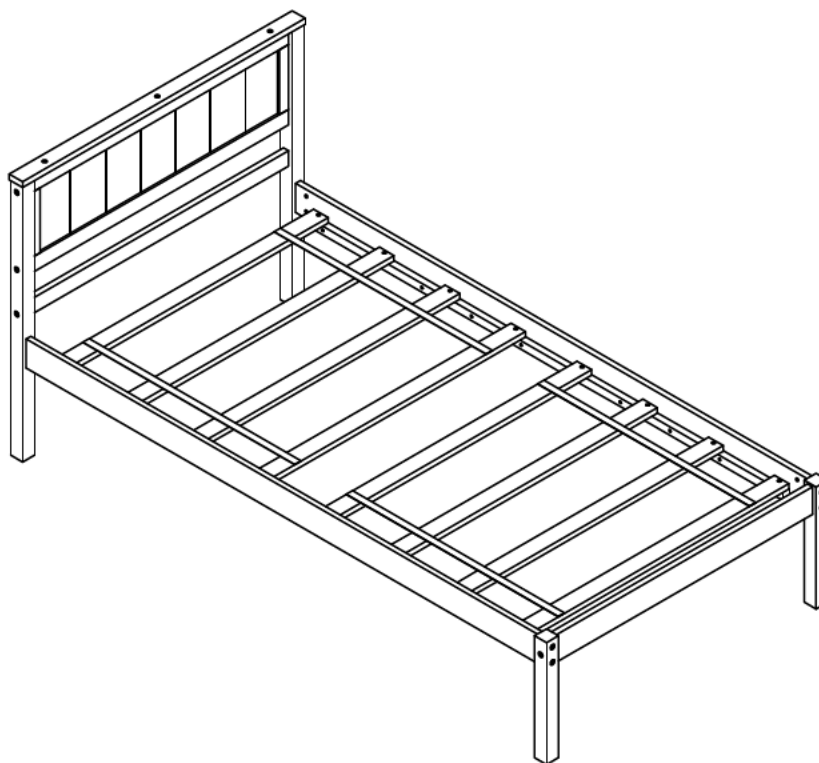
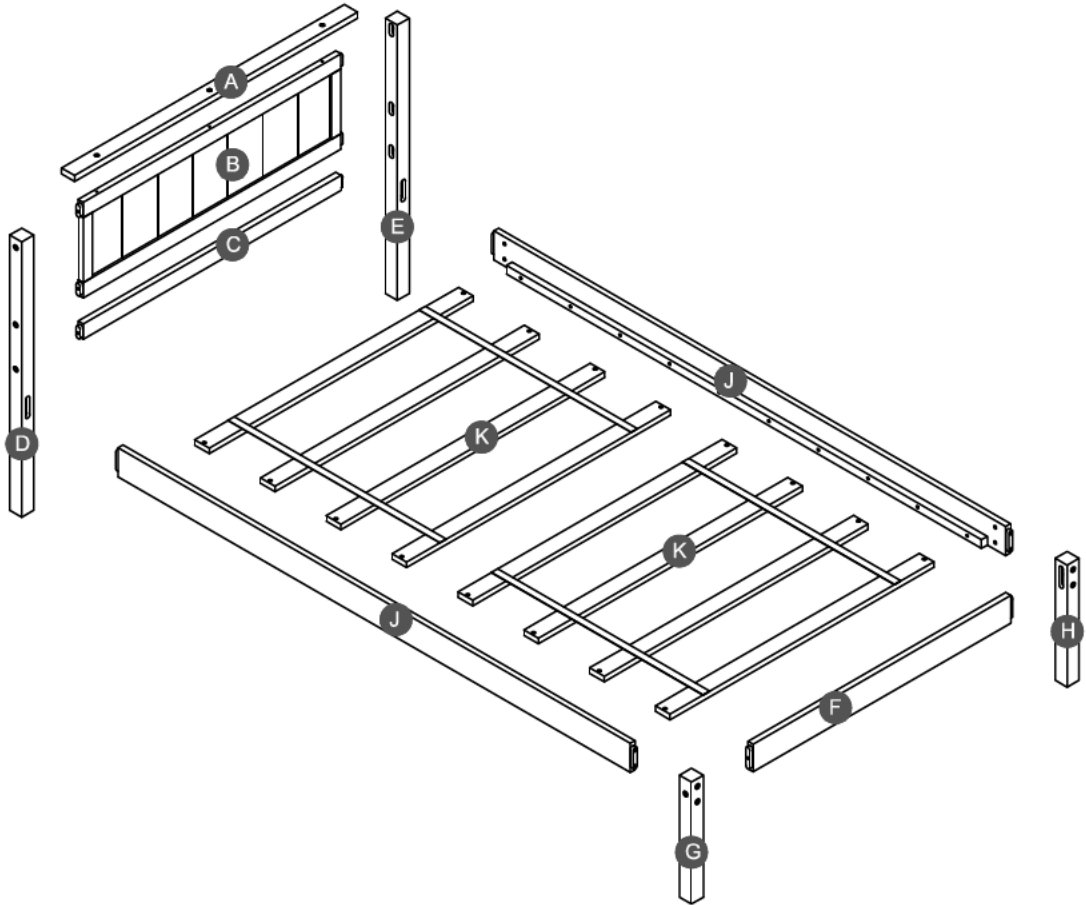


# ASSEMBLY INSTRUCTIONS

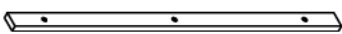
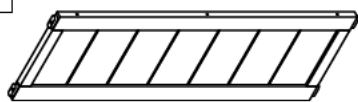
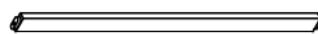

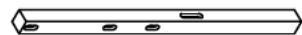





## TWIN BED





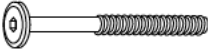



# Detail View



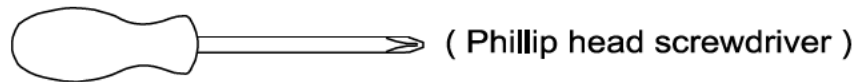
# Part List

<b>A</b>  Cap for HB - 1pc	<b>B</b>  HB Frame - 1pc	<b>C</b>  Horizontal bar (HB)- 1pc
<b>D</b>  Leg HB (Left) - 1pc	<b>E</b>  Leg HB (Right) - 1pc	<b>F</b>  Horizontal (FB) - 1pc
<b>G</b>  Leg FB (Left) - 1pc	<b>H</b>  Leg FB (Right) - 1pc	<b>J</b>  Side rail - 2pcs
<b>K</b>  Slats - 8pcs		

# Hardware List



<b>1</b>  (1/4")4.5*58mm Allen key (1pc)	<b>2</b>  (Ø15)1/4"*100mm Hex-Head bolts (8pcs)	<b>3</b>  (Ø15)1/4"*80mm Hex-Head bolts (8pcs)
<b>4</b>  (Ø12)1/4"*40mm Hex-Head bolts (3pcs)	<b>5</b>  1/4"*15 (9.5mm) Horizontal-Hole bolts(16pcs)	<b>6</b>  Ø4*30mm Wood screws (16pcs)

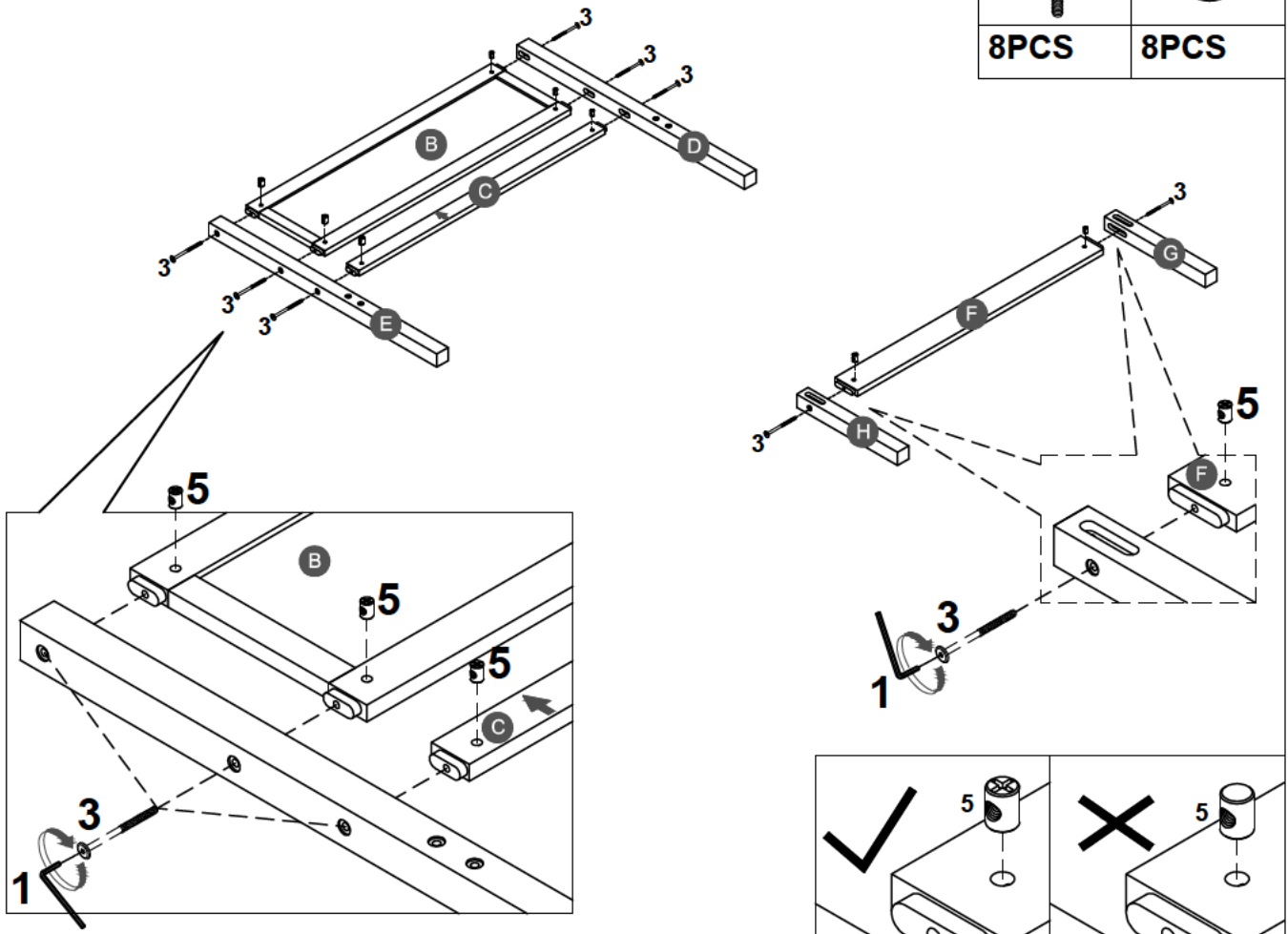
## ASSEMBLY TOOLS REQUIRED ( NOT INCLUDED )



**DO NOT USE POWER TOOLS TO ASSEMBLE THIS PRODUCT !**


# STEP 1:

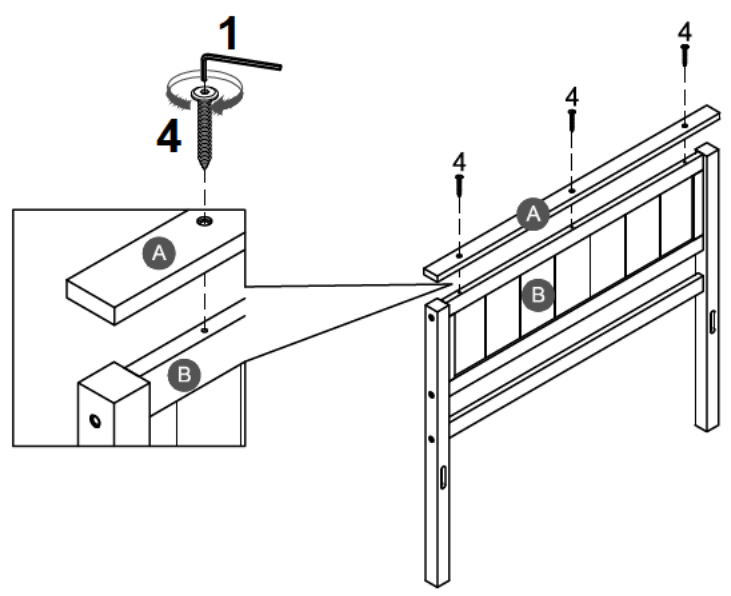
<b>3</b>		<b>5</b>	
<b>8PCS</b>		<b>8PCS</b>	





Note: Part 5 will face up with the "x" mark on it, otherwise it cannot be tightened

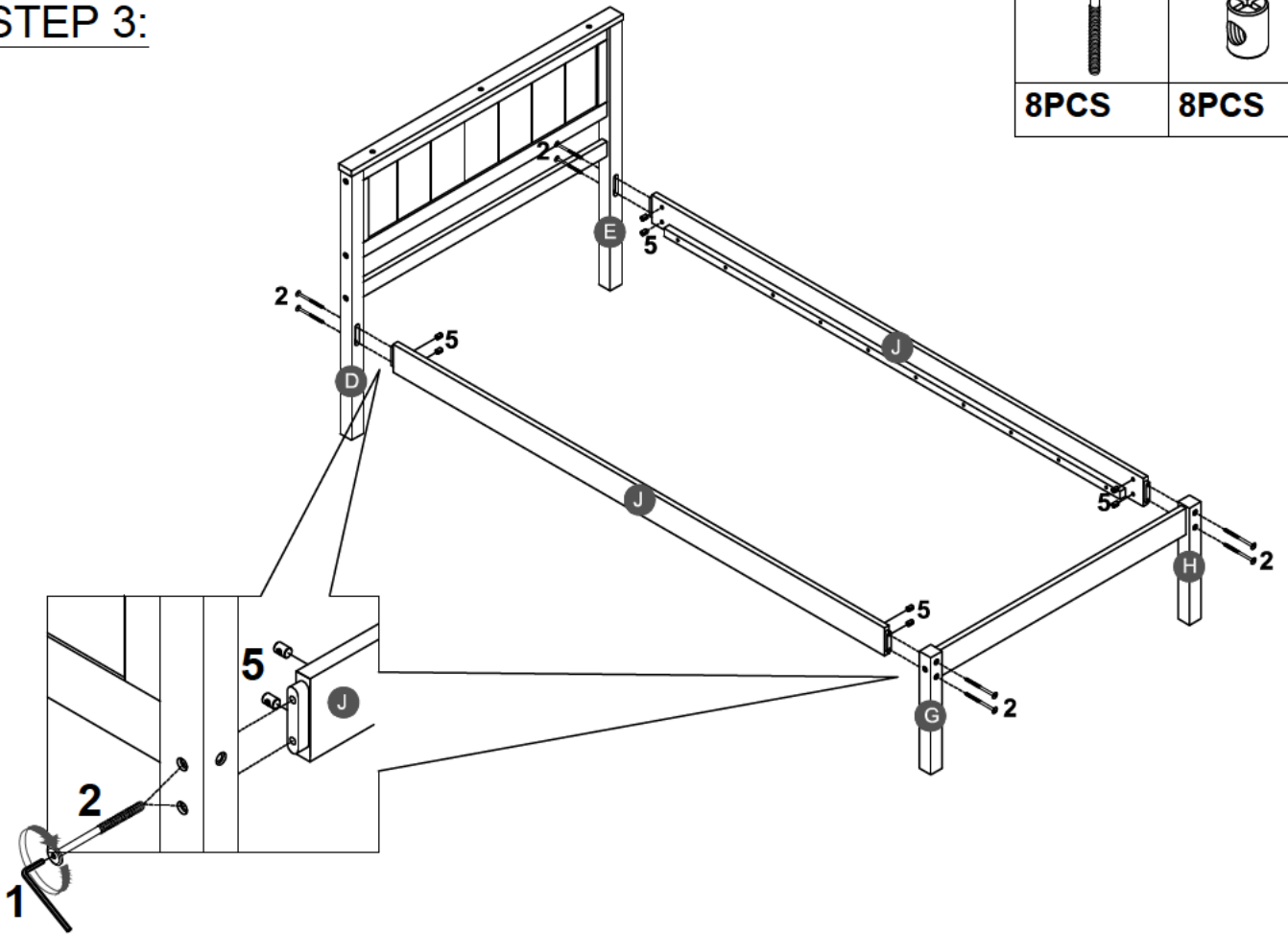
# STEP 2:

<b>4</b>	
<b>3PCS</b>	




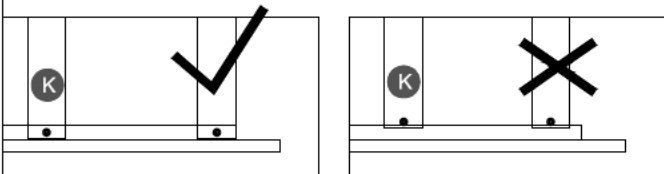
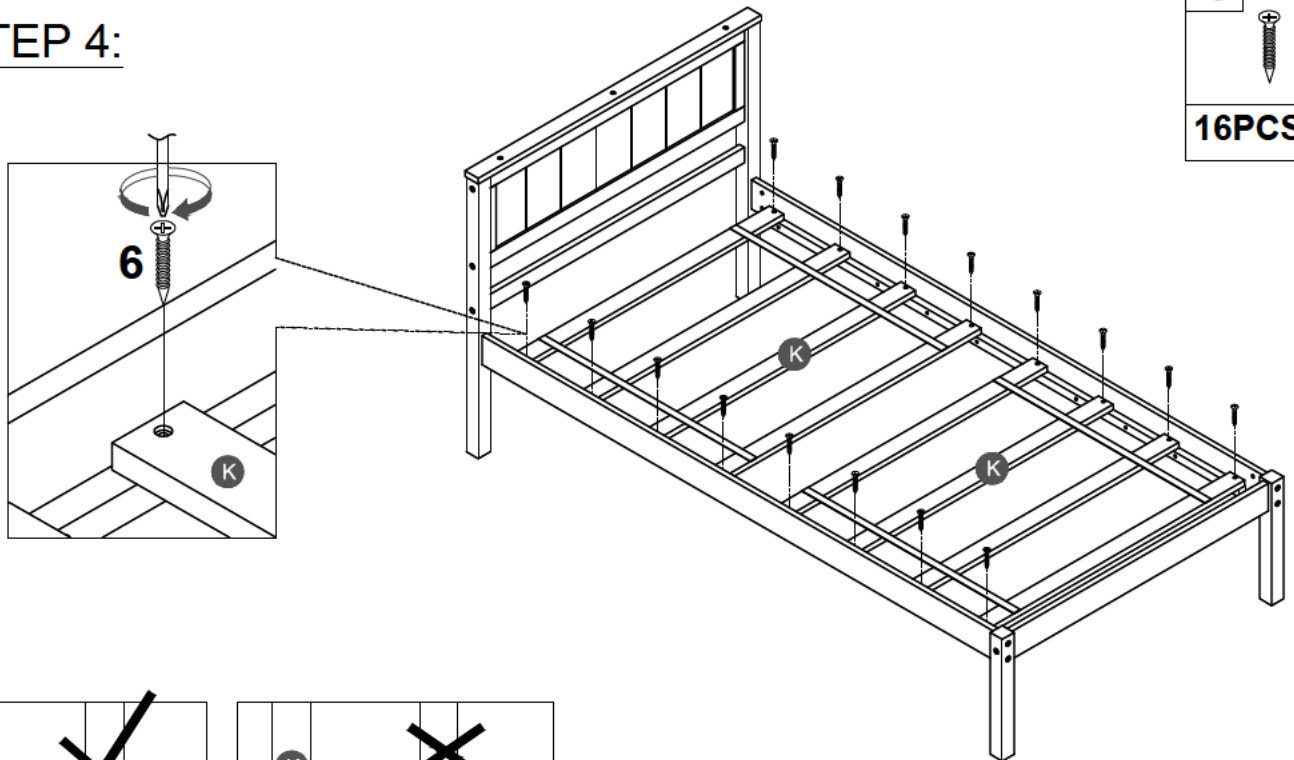
### STEP 3:

<b>2</b>		<b>5</b>	
<b>8PCS</b>		<b>8PCS</b>	



### STEP 4:

<b>6</b>	
<b>16PCS</b>	



Note: Do not lock the screws of the bed slats to the outermost edge of the bed slats, you need to leave a certain space at the edges, otherwise it will cause the board to break