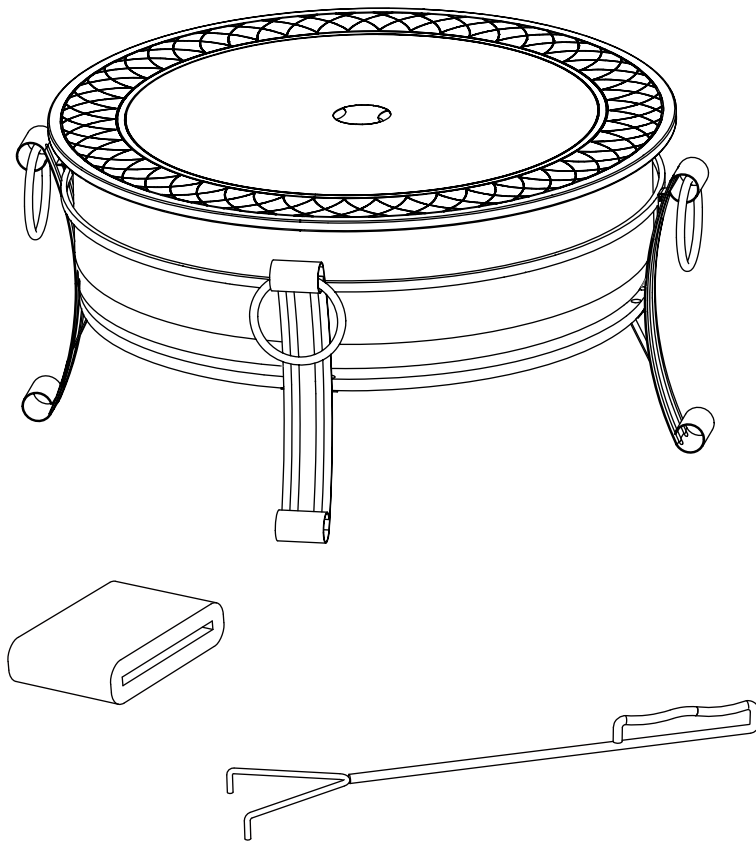


Assembly Instructions

36 Inch Fire Pit With Grill



SAFETY INFORMATION

Please read and understand this entire manual before attempting to assemble, operate or install the product.

WARNING For Your Safety

1. Do NOT use this fire pit without reading this entire document and all WARNINGS, cautions and instructions. Death, serious injury or damage to property may occur if the following is not followed.
2. This item is for outdoor use only, and shall NOT be used in a building, garage or any other enclosed area.
3. Do NOT use this fire pit for indoor heating, TOXIC carbon monoxide fumes can accumulate and cause asphyxiation
4. This fire pit is NOT for commercial use.
5. This fire pit is NOT to be operated by children,
6. This fire pit is NOT to be used in or on boats or recreational vehicles.
7. Always use in accordance with all applicable local, state and national codes. Contact your local fire department for details on outdoor burning.
8. When using this fire pit, exercise the same precautions you would with any open fire.
9. The use of alcohol, prescription or non-prescription drugs may impair the consumer's ability to properly assemble or safely operate this fire pit,
10. When this fire pit is used with dry, seasoned hardwood, it will burn hotter, more completely.
11. Do NOT burn charcoal briquette, lump charcoal, manufactured logs, driftwood, trash, leaves, papers, cardboard, plywood, painted or stained or pressure treated wood. Avoid using softwoods such as pine or cedar that can throw sparks.
12. Do NOT alter this fire pit In any manner.
13. Do NOT use this fire pit until it is COMPLETELY assembled and all parts are securely fastened and tightened.
14. Do NOT store or use gasoline or other flammable vapors or liquids in the vicinity of this or any other appliance.
15. Do NOT store or use an UP gas cylinder within 10 feet (3.05m) of this fire pit while it is in operation.
16. Do NOT use this fire pit near automobiles, trucks, vans or recreational vehicles.
17. Do NOT use in an explosive atmosphere. Keep the outdoor area clean and free from combustible materials, gasoline and other flammable liquids.
18. Do NOT use this fire pit under an overhead or near any unprotected combustible constructions. Avoid using near or under overhanging trees and shrubs.
19. Always use this fire pit on a hard level non-combustible surface such as concrete, rock or stone. An asphalt or blacktop surface may not be acceptable for this purpose. Do Not use on wooden decks.
20. Always empty this fire pit before each use.
21. Do NOT wear flammable or loose clothing when operating this fire pit.
22. Do NOT use in windy conditions.
23. Do NOT use gasoline, kerosene, diesel fuel, or lighter fluid to start a fire or enhance an existing fire.
24. Keep all electrical cords away from a hot fire pit.
25. All surfaces of this fire pit are hot when in operation. To avoid burns, do NOT touch the fire pit until it has completely cooled unless you are wearing protective gear (potholders, gloves, BBQ mittens, hot pads & etc). Never touch ashes or coals to see if they are hot.
26. Do NOT leave a lit fire pit unattended, especially around children and pets.
27. Do NOT attempt to move or store this fire pit until ashes and coals are completely extinguished.
28. Do NOT remove ashes or coals until they are completely and extinguished.
29. Use heat-resistant gloves or hot pads when contacting handles.
30. Use long, sturdy fire pit tools when adding or moving logs.
31. Do NOT overload the fire pit. Do NOT add additional firewood until the fire burns down.
32. Do NOT lean over this fire pit when lighting or when in use.

SAFETY INFORMATION

33. Do NOT place hot fire pit tools onto combustible surfaces such as grass, wooden deck or furniture.
34. Avoid breathing smoke from the fire and avoid getting it into your eyes.
35. This fire pit should be thoroughly inspected and cleaned on a regular basis.
36. After a period of storage and/or non-use, check for signs of damage and creosote build-up. Do NOT operate until necessary repairs and/or clean-up are executed.

LIGHTING

1. Remove old ash or coals before continuing.
2. Place dry kindling or a natural fire starter in the center of the fire pit.
3. Stack dry and seasoned hardwood around and over the kindling. (Avoid hardwood longer than 18 inches.)
4. Light the kindling or fire starter using a long match.

TENDING THE FIRE

Do NOT use gasoline, kerosene, diesel fuel, lighter fluid or alcohol.

Do NOT place hot tools onto combustible surfaces, such as grass or wooden furniture.

Wear heat-resistant gloves when tending the fire or fire pit. Avoid touching hot surfaces.

Use a long-handled fireplace tool (tongs or poker) to shift logs as needed for complete burning.

Do NOT add additional wood until embers have developed. To add wood, gently place it onto the embers.

EXTINGUISHING THE FIRE

Allow the fire to burn out. Spread wood/coals/embers apart to help it burn out quicker.

Do NOT leave the fire unattended.

DO NOT use water to extinguish a fire. Doing so could result in injury or damage to the fire pit.

GRILLING OVER THE FIRE

To grill using the swing-away grid, build a suitable bed of embers/coals inside the fire pit.

Position the grid at the desired height.

Pivot the grid so it is centered inside the fire pit and over the heat.

GRILLING TIPS

Build a good bed of hot embers prior to cooking. You can create smoke to add flavor by adding a small amount of wood to the embers.

Adjust the cooking grate as needed to achieve the desired cooking temperature. The grate can be placed in different positions. In addition, the grate swivels, allowing the easy ability to position it over or away from the heat or fire.

Clean the grate after each use. Use vegetable oil to coat the grid after each use to help prevent corrosion.

FOOD SAFETY

To avoid sickness, practice food safety while preparing and cooking any food.

Do NOT mix any raw meats with any cooked food.

Do NOT reuse pans, serving dishes or utensils after touching raw meats.

Do NOT leave meats at room temperature to thaw. Allow them to thaw over time inside a refrigerator. Keep all grilling tools, dishes and your hands clean, especially after handling raw meats.

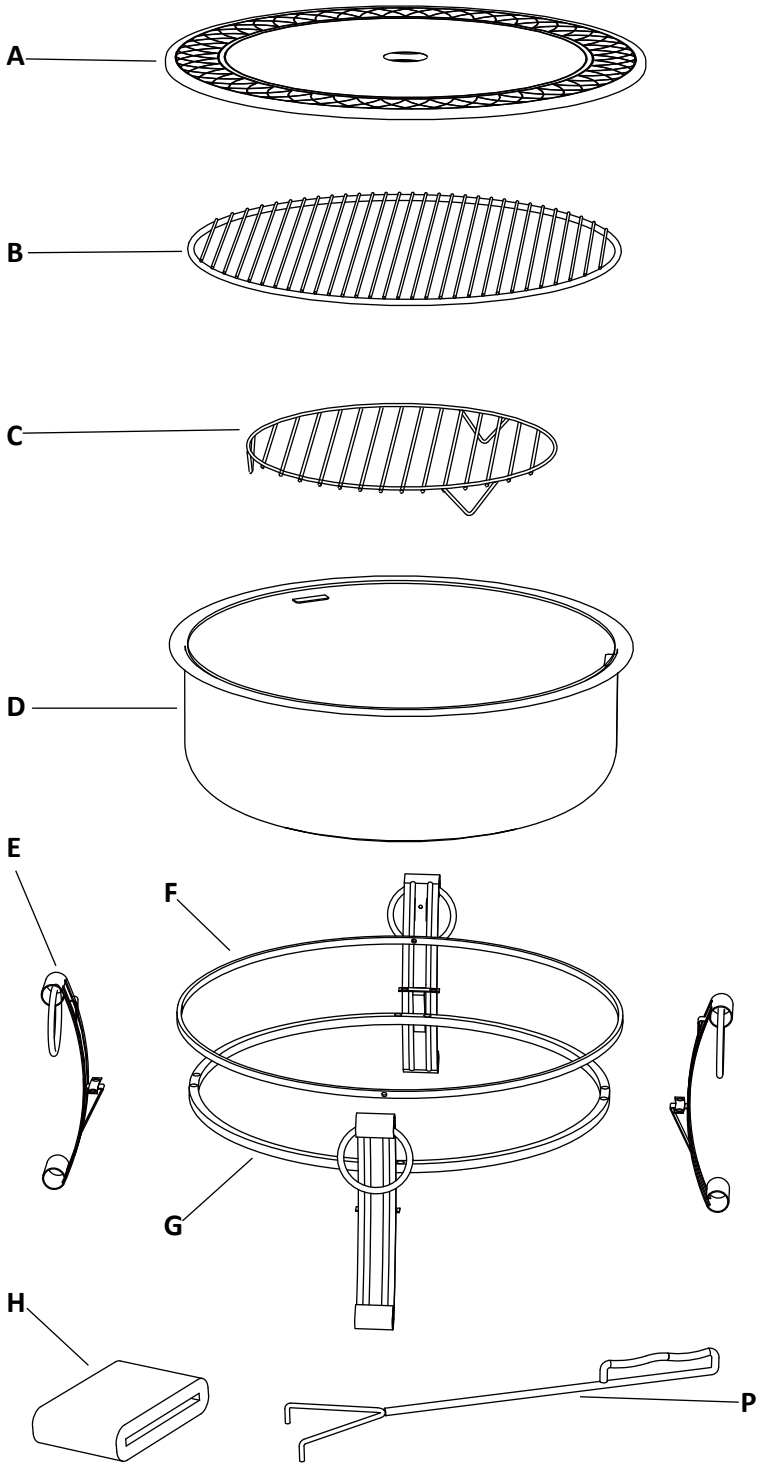
Do NOT eat or serve food that is undercooked.

Note: Do NOT bake food directly on the cooking grate, please use the cooking pan or food-grade aluminum foil to grill indirectly.



WARNING: FUELS USED IN WOOD OR CHARCOAL BURNING APPLIANCES, AND THE PRODUCTS COMBUSTION OF SUCH FUELS, CAN EXPOSE YOU TO CHEMICALS INCLUDING CARBON BLACK,

PART LIST

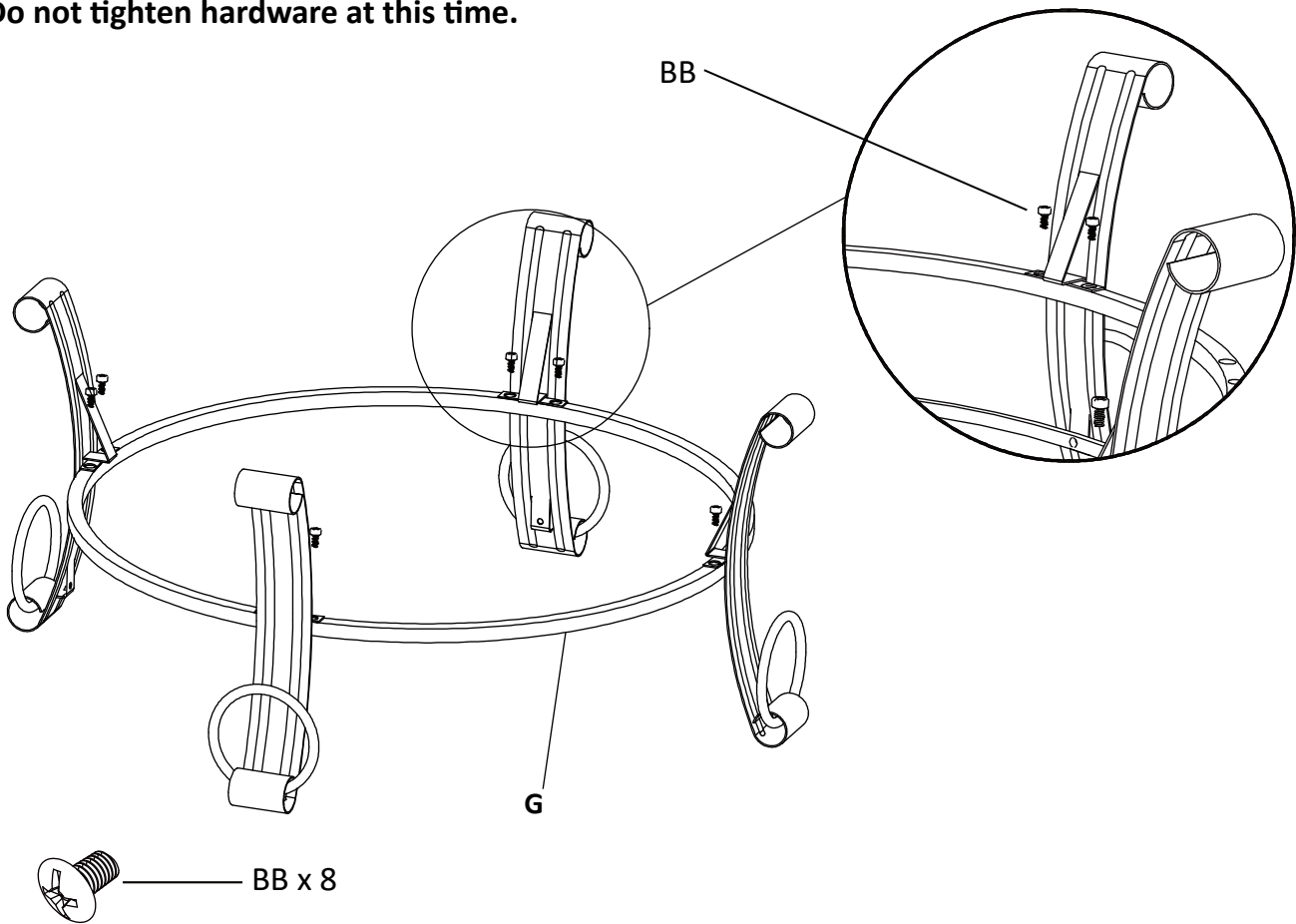


No.	Parts	Qty
A	Tabletop Lid	1
B	Grill	1
C	Wood Grate	1
D	Fire Bowl	1
E	Legs	4
F	Upper Support Ring	1
G	Lower Support Ring	1
H	Cover	1
P	Poker	1

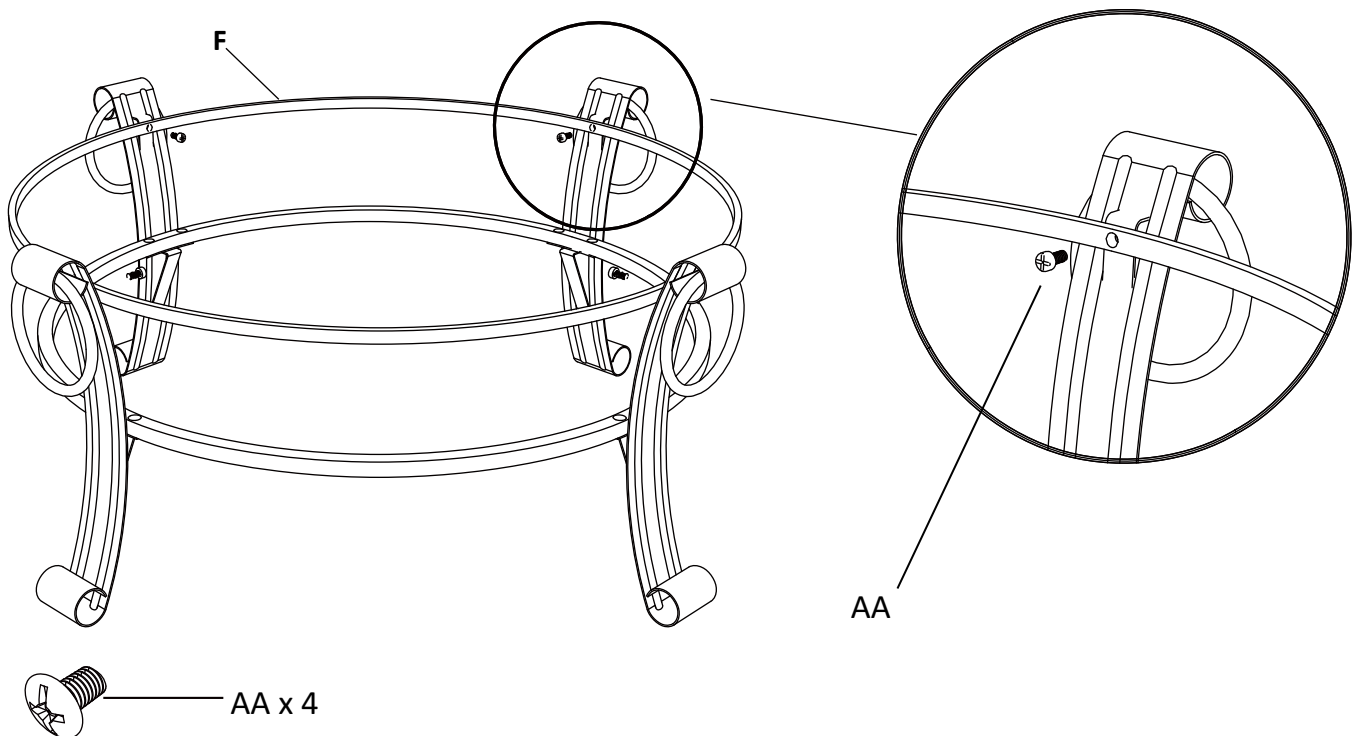
No.	Hardware	Qty
AA	M6x16mm Bolt	4
BB	M6x12mm Bolt	8

Assembly Instructions

Step 1: Connect Lower Support Ring (G) to the legs (E) by using M6x12mm Bolt (BB), Do not tighten hardware at this time.

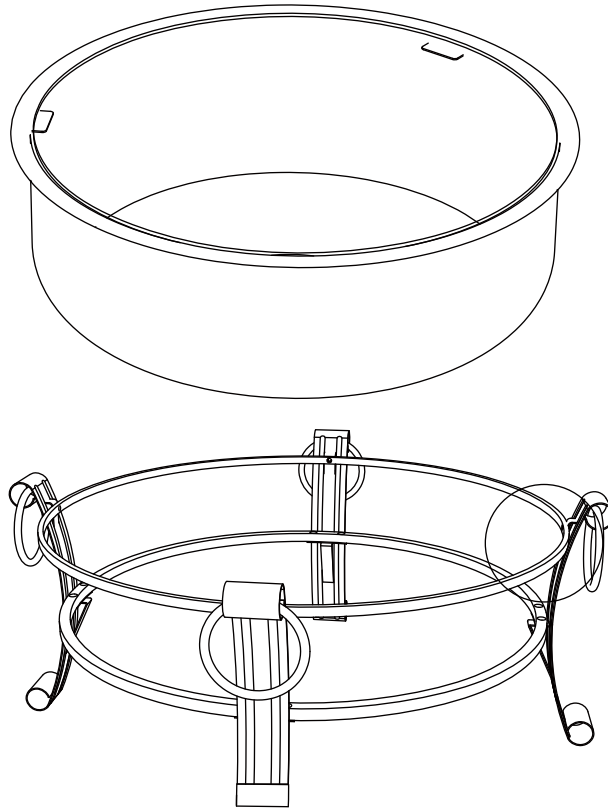


Step 2: Connect Upper Support Ring (F) to the legs (E) by using M6x16mm Bolt (AA). Tighten all the hardware..

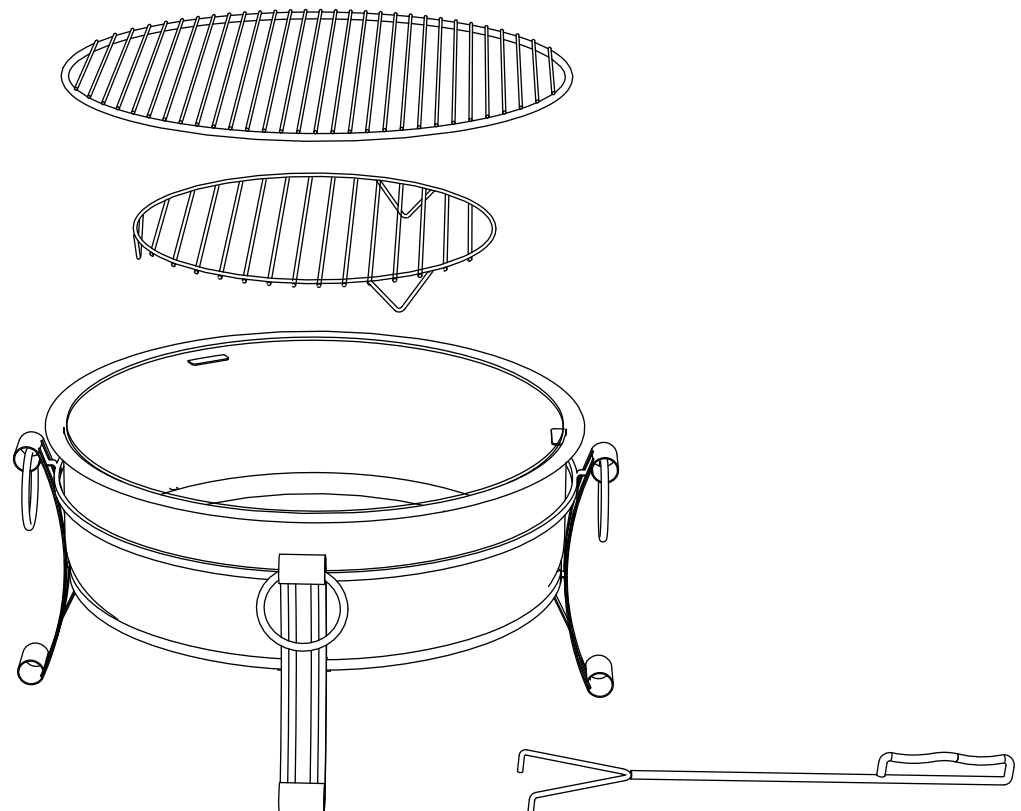


Assembly Instructions

Step 3: Place the fire bowl (D) into the assembled frame.

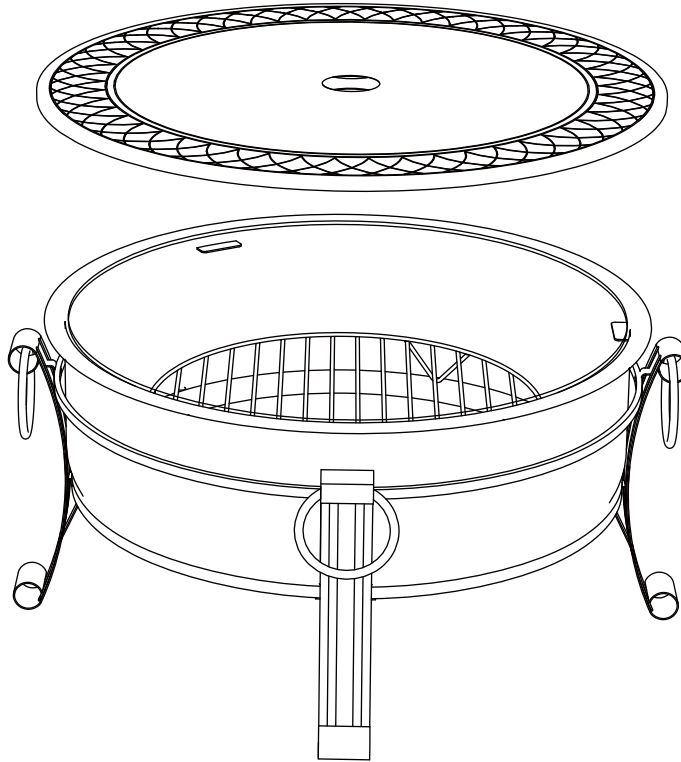


Step 4: Place the wood grate (C) into the fire bowl (D), put the Grill (B) on the fire bowl and place the poker (P) near the base assembly.

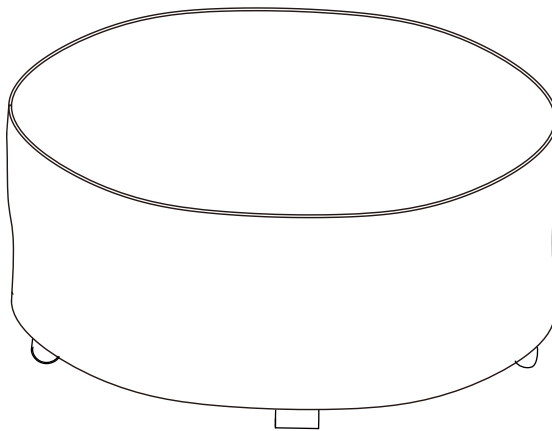


Assembly Instructions

Step 5: After extinguishing the fire and allowing the bowl to cool, place the tabletop lid (A) into the fire bowl (D) to use it as a table.



Step 6: Keep the fire pit covered when cooled and not in use .



Maintenance

MAINTENANCE

To ensure product safety and prolonged product life, thoroughly clean the fire pit after each use. Inspect for any damage (repair if needed). Store the fire pit in a dry place or cover to keep water out. Allow the fire pit to completely cool before attempting to clean or perform maintenance. Do not clean any part of the fire pit with abrasive chemicals or oven spray.

CLEANING

Mix warm water with mild dish washing detergent. Using a soft cloth, wipe the fire pit with the cleaning mixture. A nylon brush might be required to remove some stains (or use a citrus based degreaser). Rinse thoroughly and dry with a soft towel.

INSPECTING

Check that all hardware is tight. Look for damage or rust on the tables and grid riser post. Repair all damage before using the fire pit again. If rust is found, remove the rust and spray over using a high temperature black paint. Once the fire is out and the fire pit has completely cooled, remove and properly dispose of ash. Store the fire pit in a safe, dry place, out of reach from children and pets. For prolonged life, keep the fire pit covered and dry.