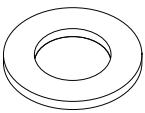
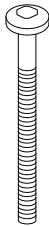
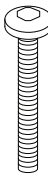
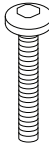
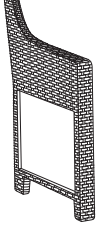
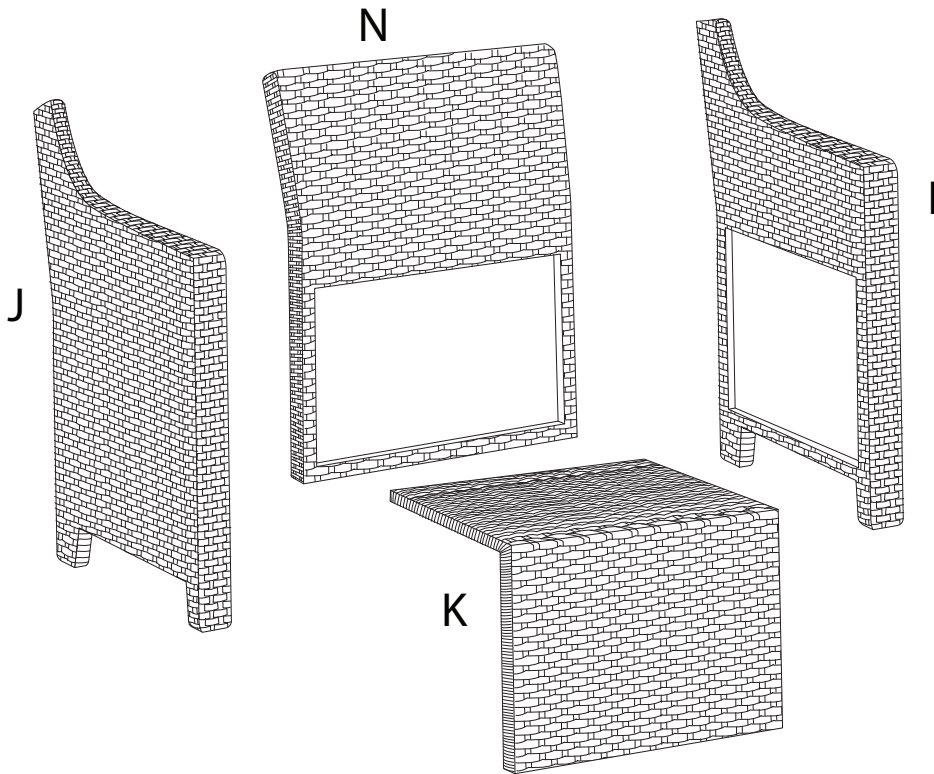
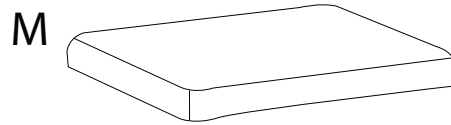
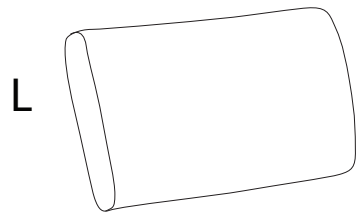

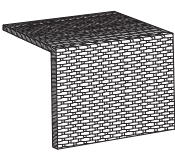
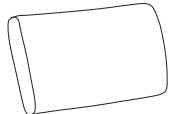
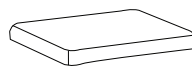
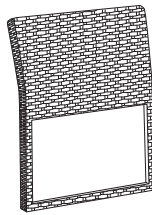



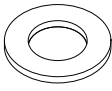
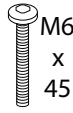
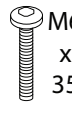




A x 2

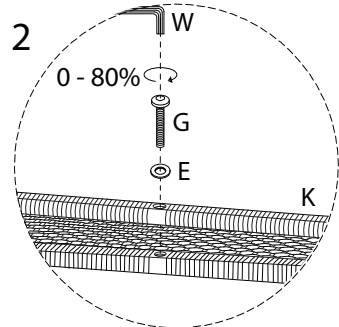
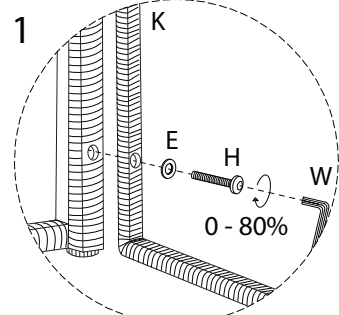
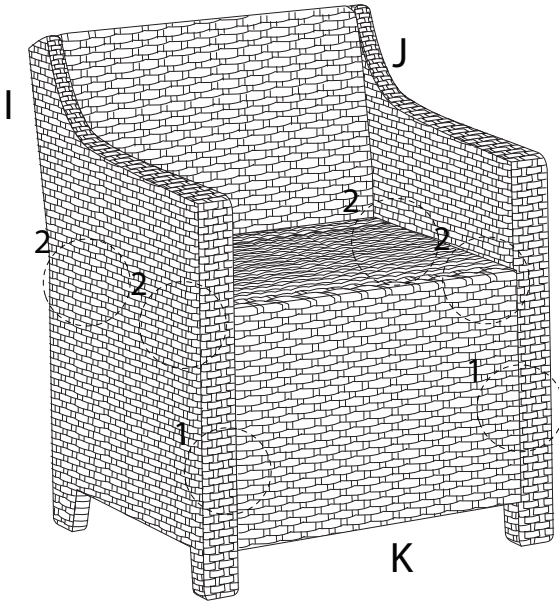
<p>E</p>  <p>x 11</p>	<p>F</p>  <p>M6 x 55</p> <p>x 2</p>	<p>G</p>  <p>M6 x 45</p> <p>x 5</p>	<p>H</p>  <p>M6 x 35</p> <p>x 4</p>	<p>I</p>  <p>x 1</p>
---	---	---	---	--



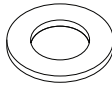

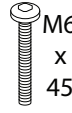


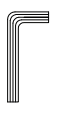
<p>J</p>  <p>x 1</p>	<p>K</p>  <p>x 1</p>	<p>L</p>  <p>x 1</p>	<p>M</p>  <p>x 1</p>	<p>N</p>  <p>x 1</p>	<p>W</p>  <p>x 1</p>
--	--	--	--	--	--

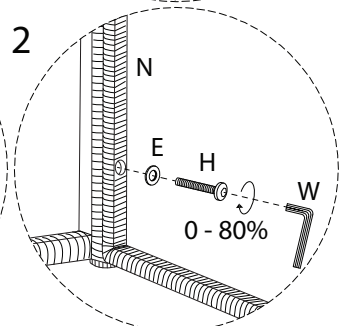
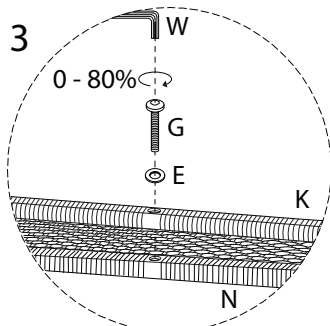
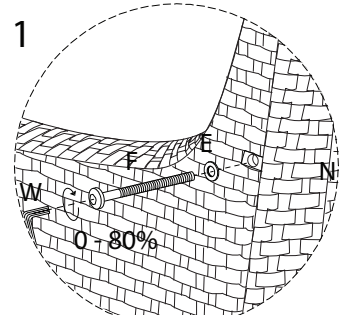
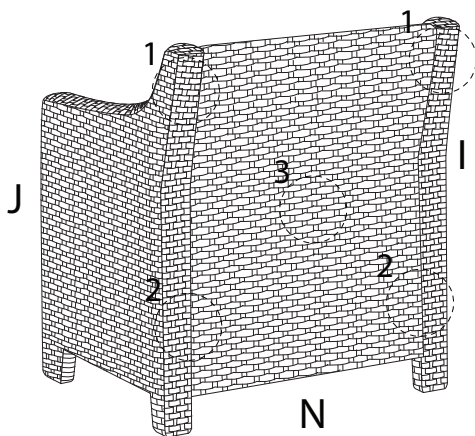
1

E  x 6	G  M6 x 45 x 4	H  M6 x 35 x 2	I  x 1	J  x 1	K  x 1	W  x 1
--	--	--	--	--	--	--

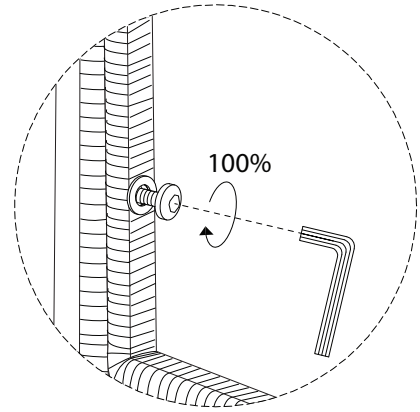
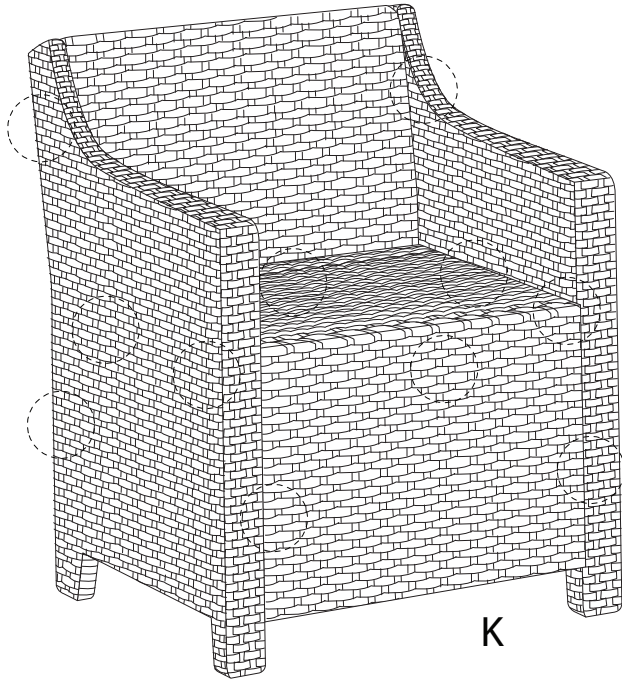


2

E  x 5	F  M6 x 55 x 2	G  M6 x 45 x 1	H  M6 x 35 x 2	N  x 1	W  x 1
--	--	--	---	--	--

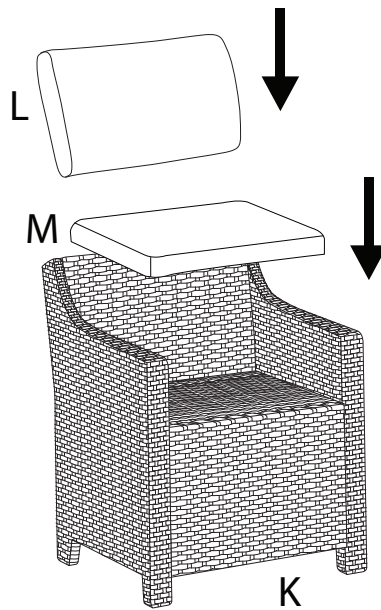
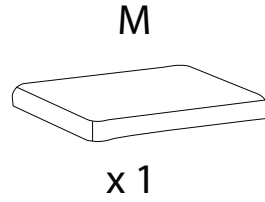
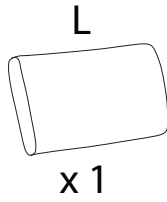


3



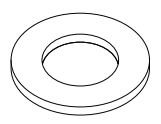
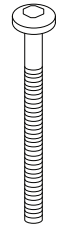
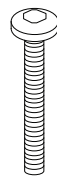
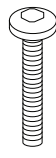

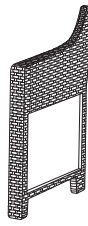
K

4

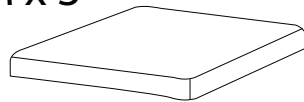


K

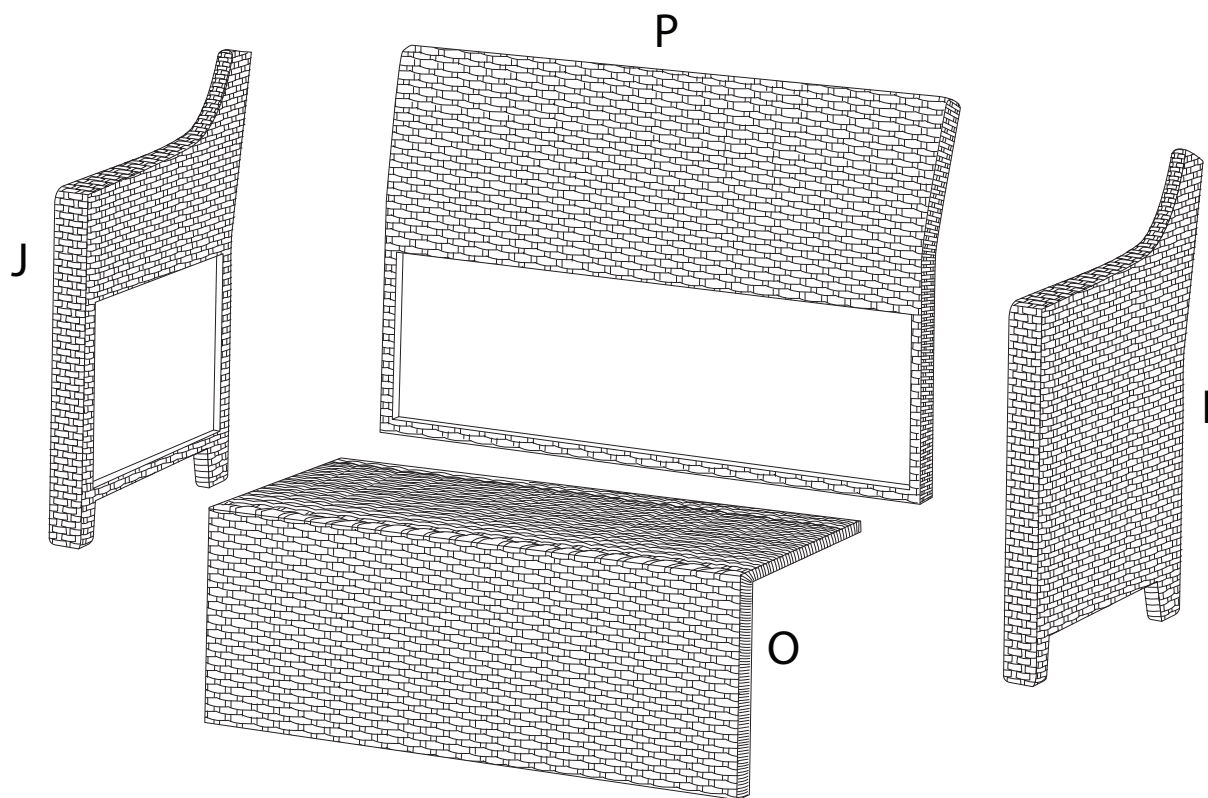
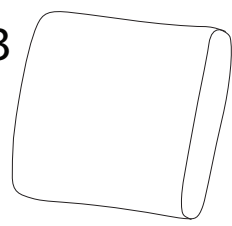
B

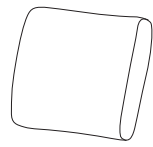

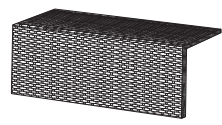
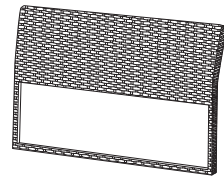
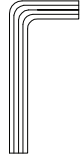
E  x 15	F  M6 x 55 x 2	G  M6 x 45 x 7	H  M6 x 35 x 6	I  x 1	J  x 1
---	--	--	--	--	--

M x 3

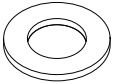
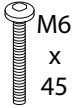


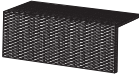
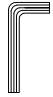


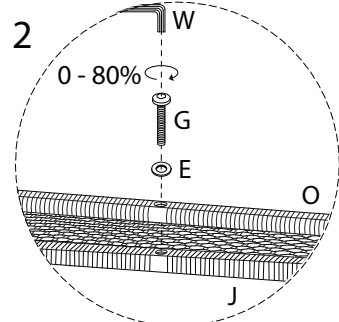
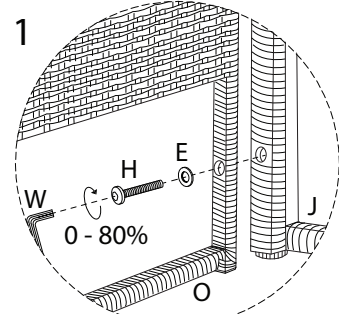
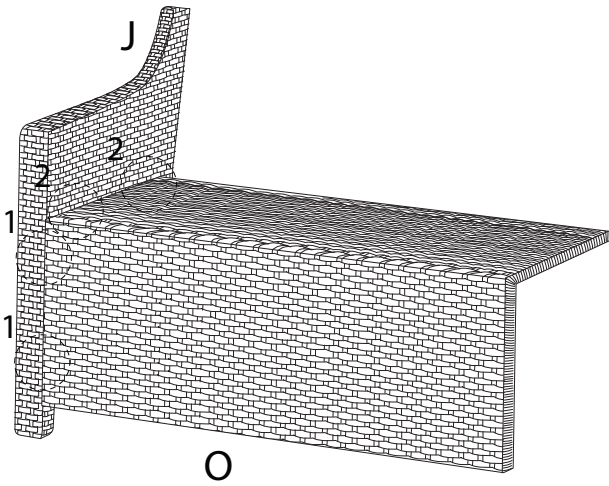
L x 3



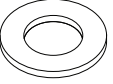
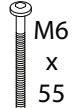
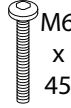

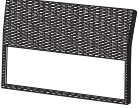
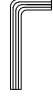
L  x 3	M  x 3	O  x 1	P  x 1	W  x 1
--	--	--	---	--

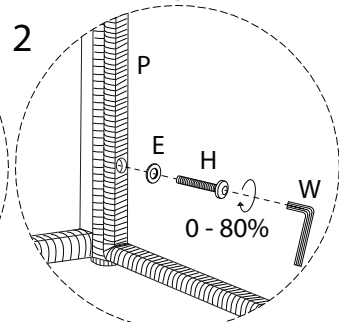
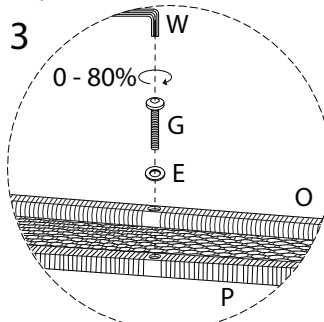
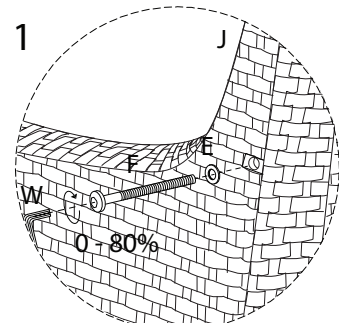
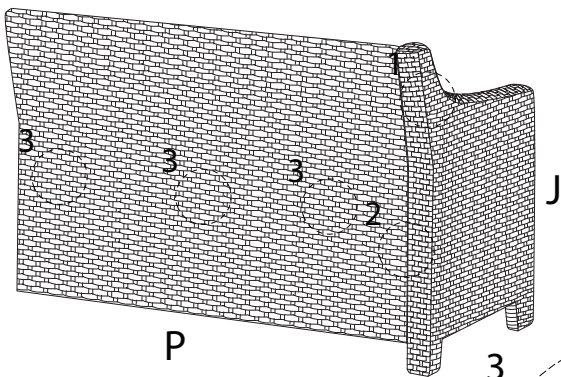
1

E  x 4	G  M6 x 45 x 2	H  M6 x 35 x 2	J  x 1	O  x 1	W  x 1
---	---	---	--	---	---

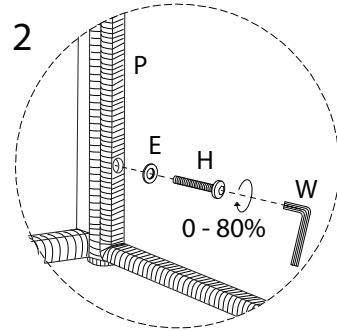
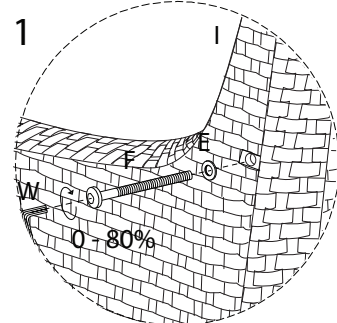
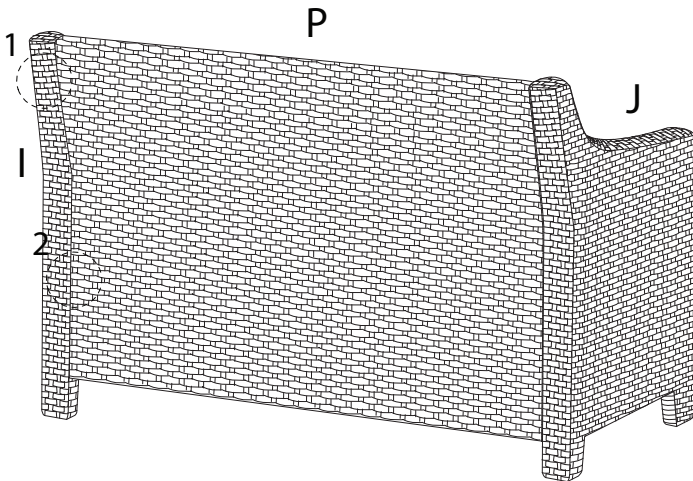
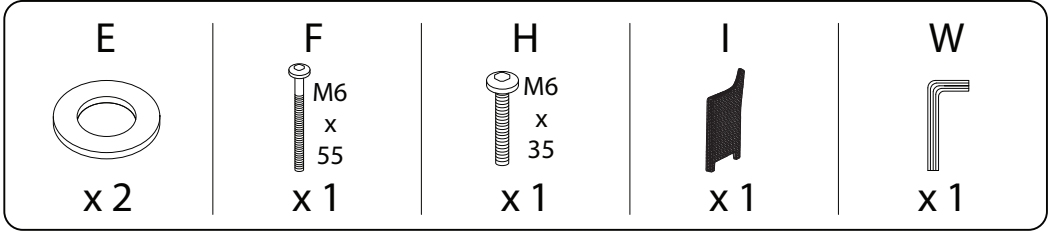


2

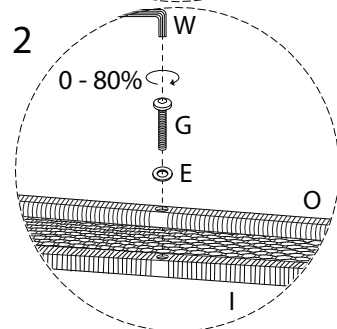
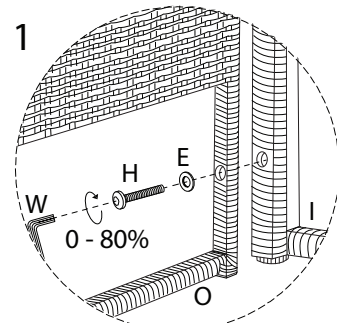
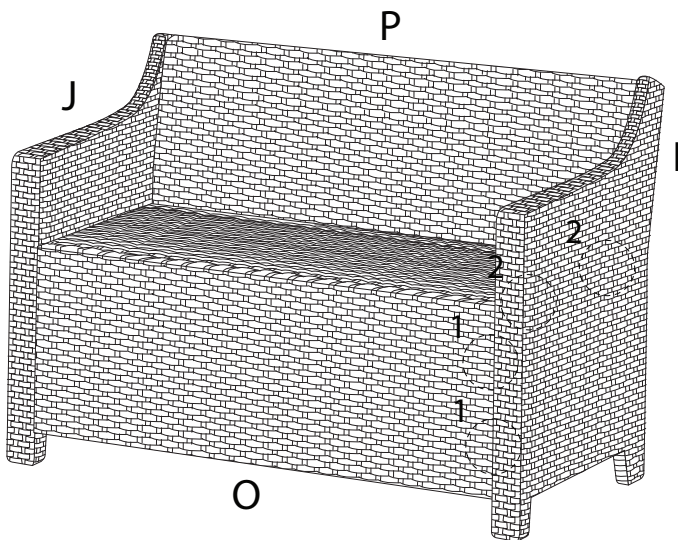
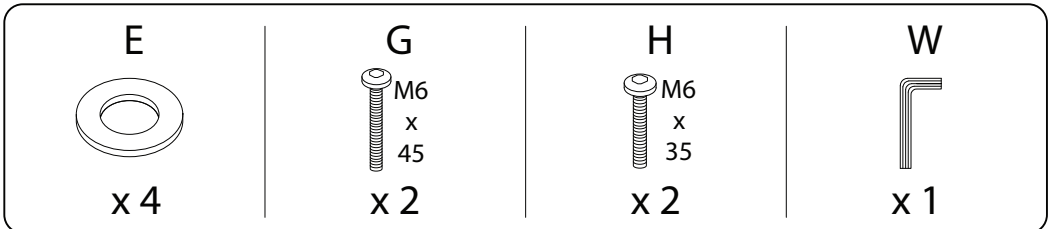
E  x 5	F  M6 x 55 x 1	G  M6 x 45 x 3	H  M6 x 35 x 1	P  x 1	W  x 1
---	---	---	--	---	---



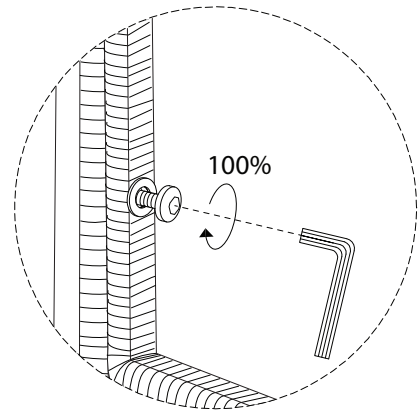
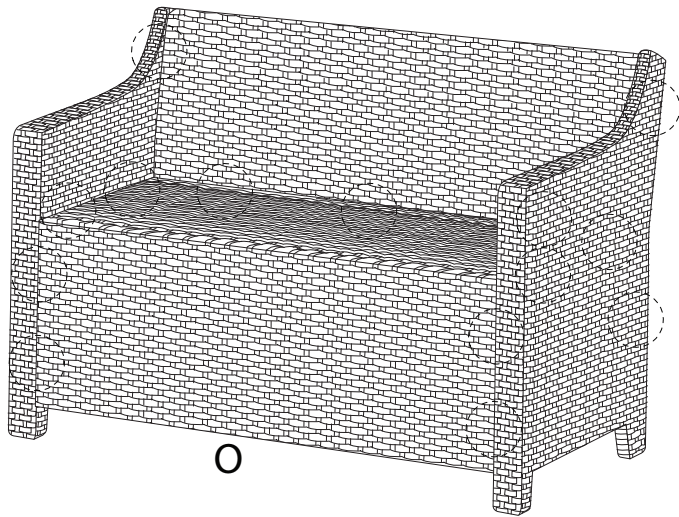
3



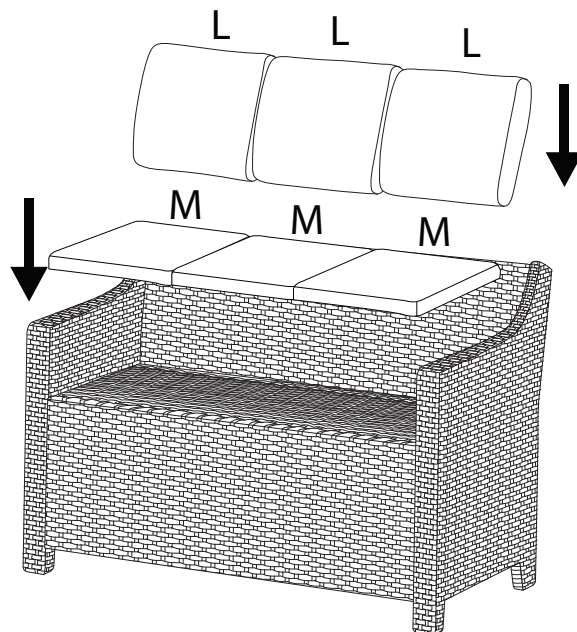
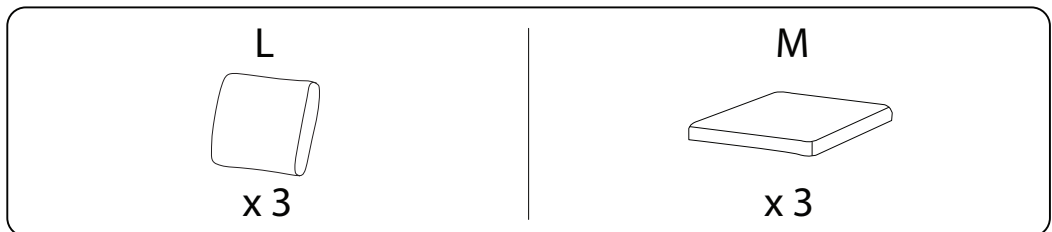
4



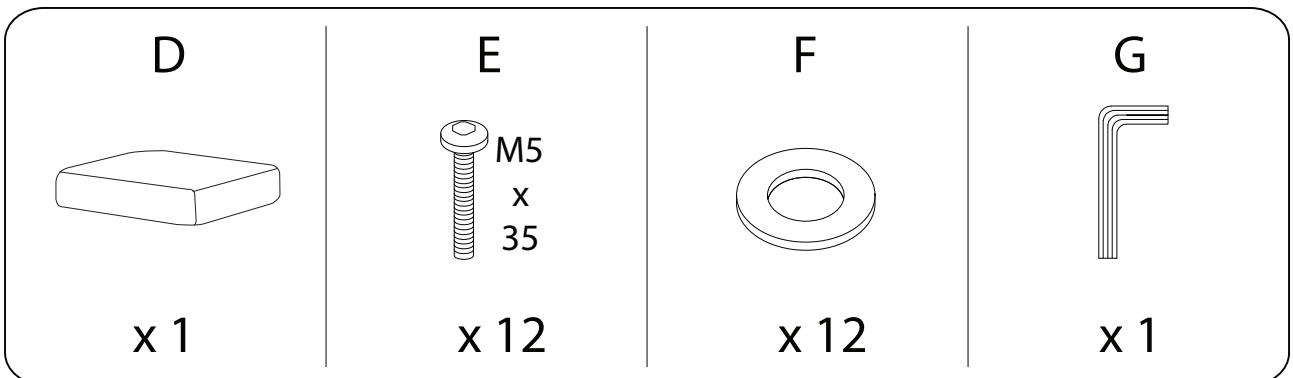
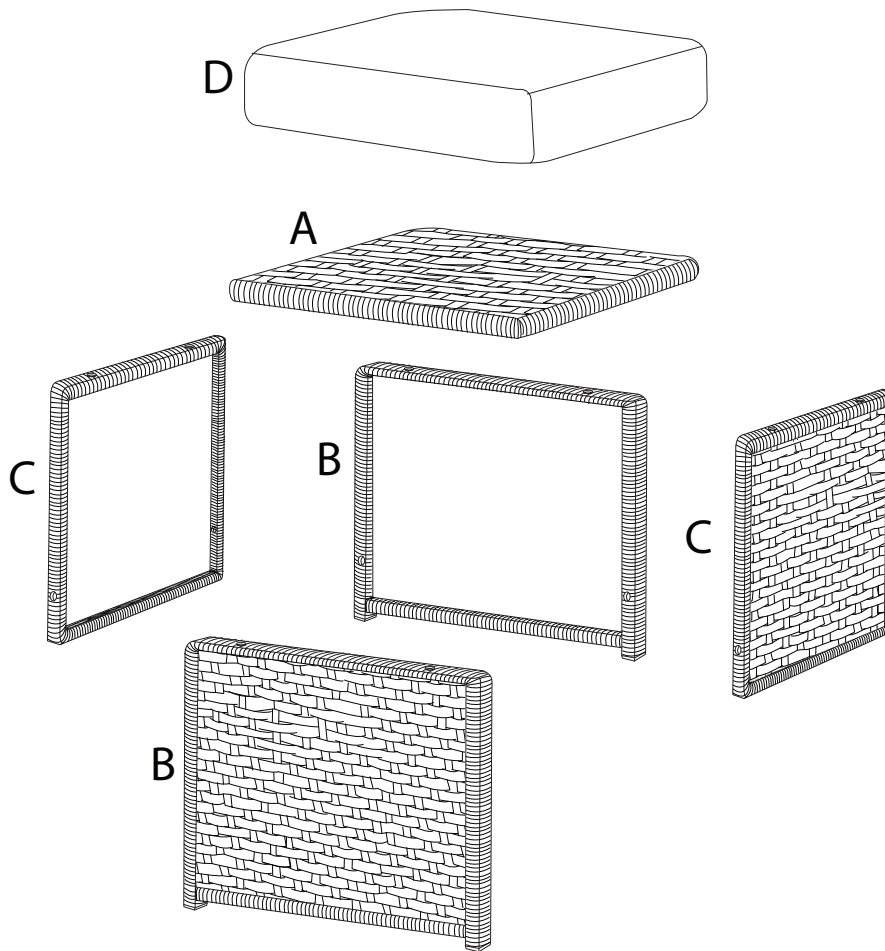
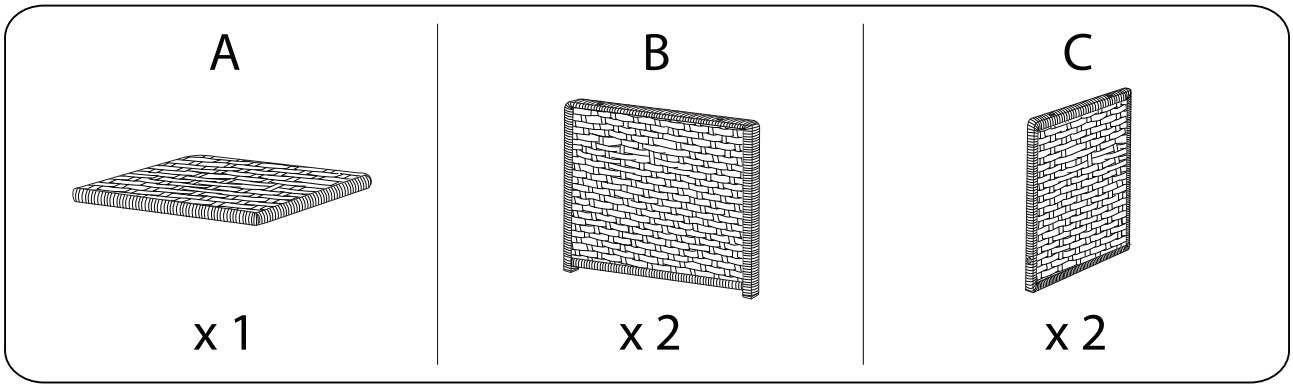
5



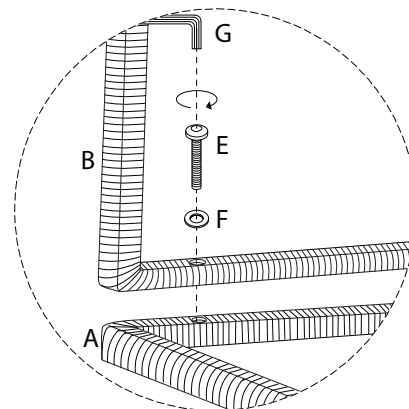
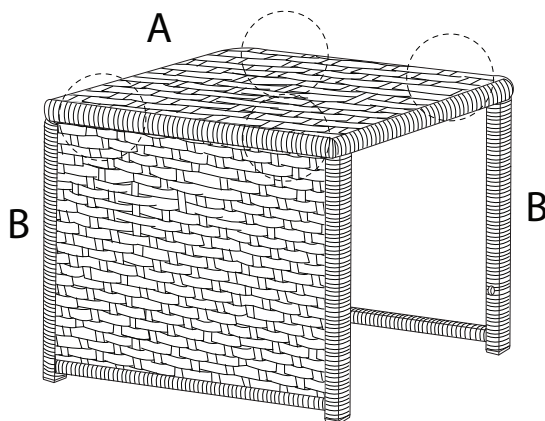
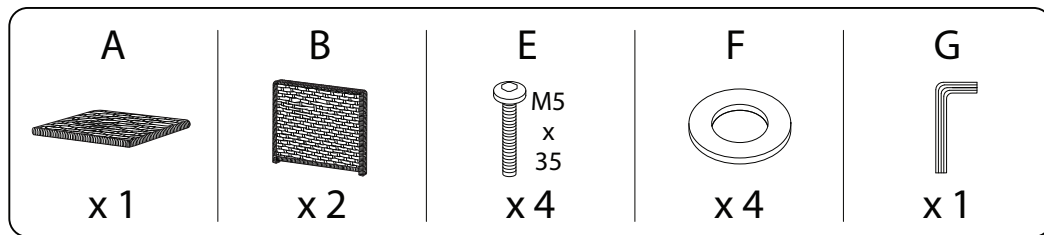
6



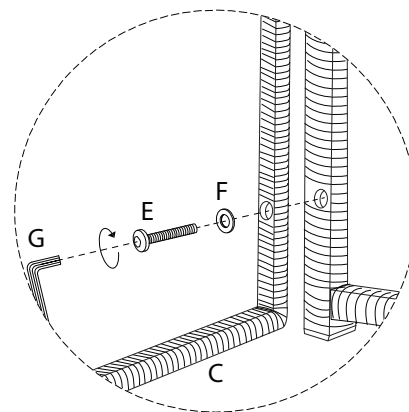
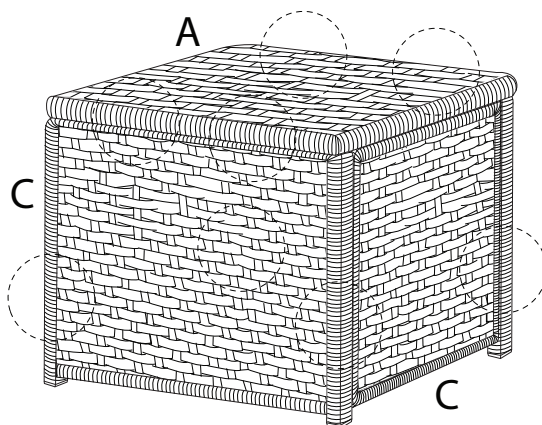
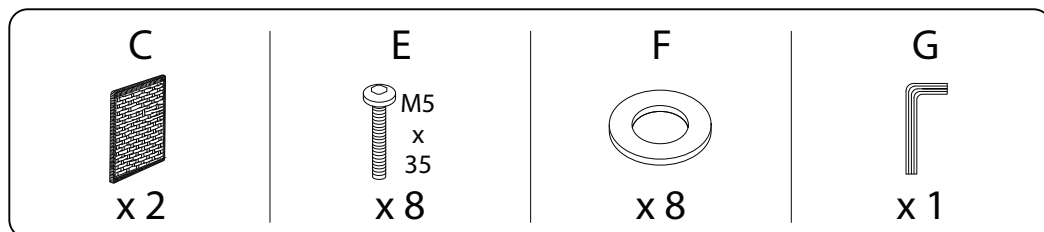
C x 2



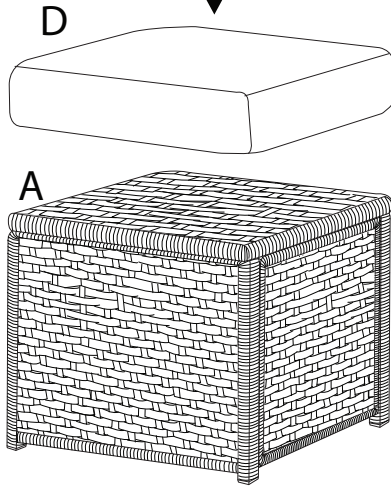
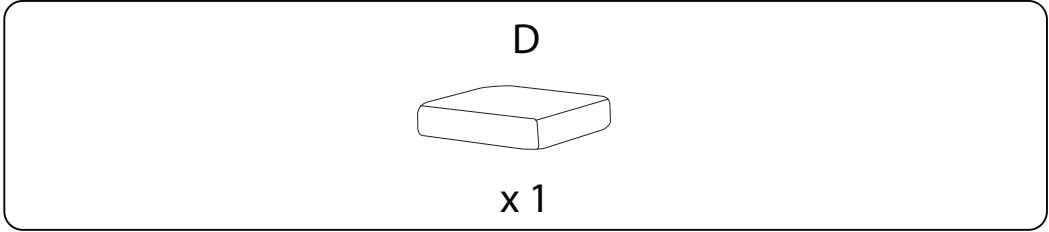
1



2



3



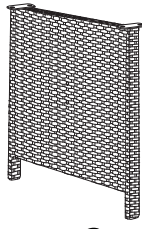
D

A



x 1

B



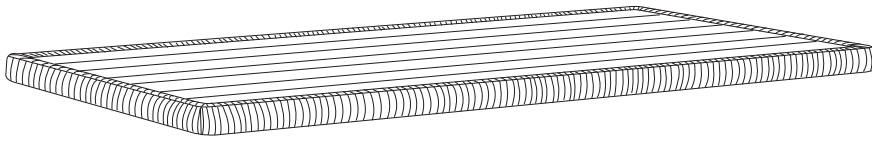
x 2

C



x 1

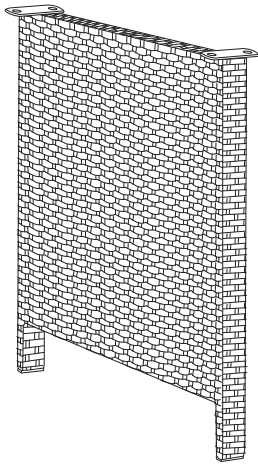
A



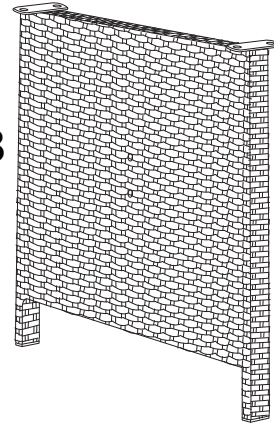
C



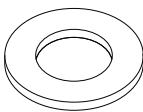
B



B

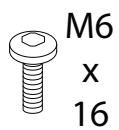


E



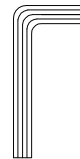
x 12

Q



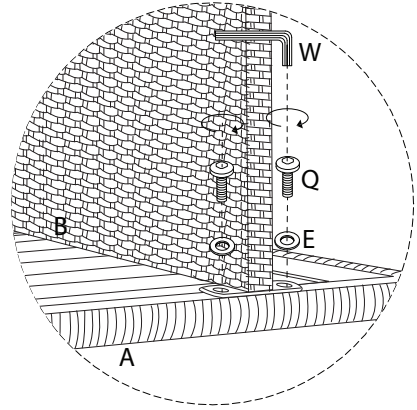
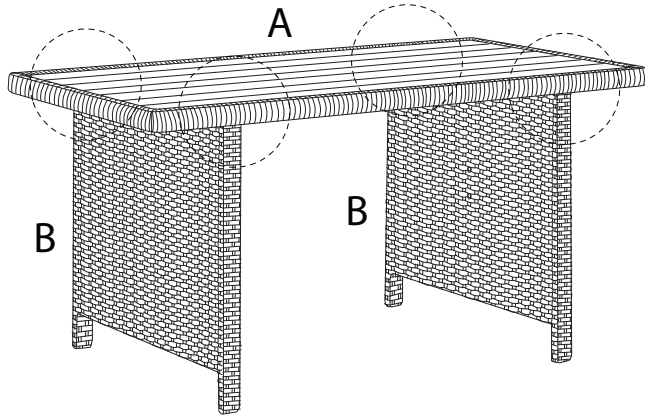
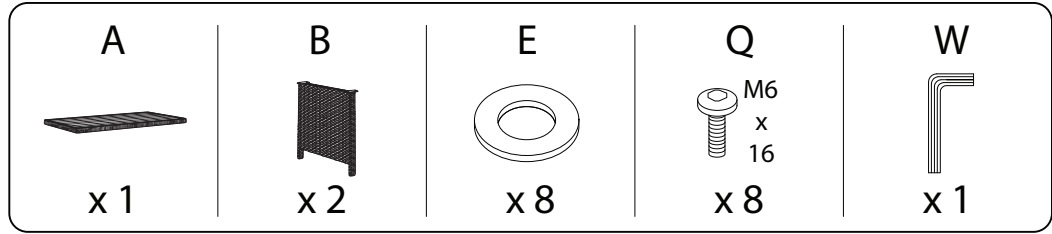
x 12

W



x 1

1



2

