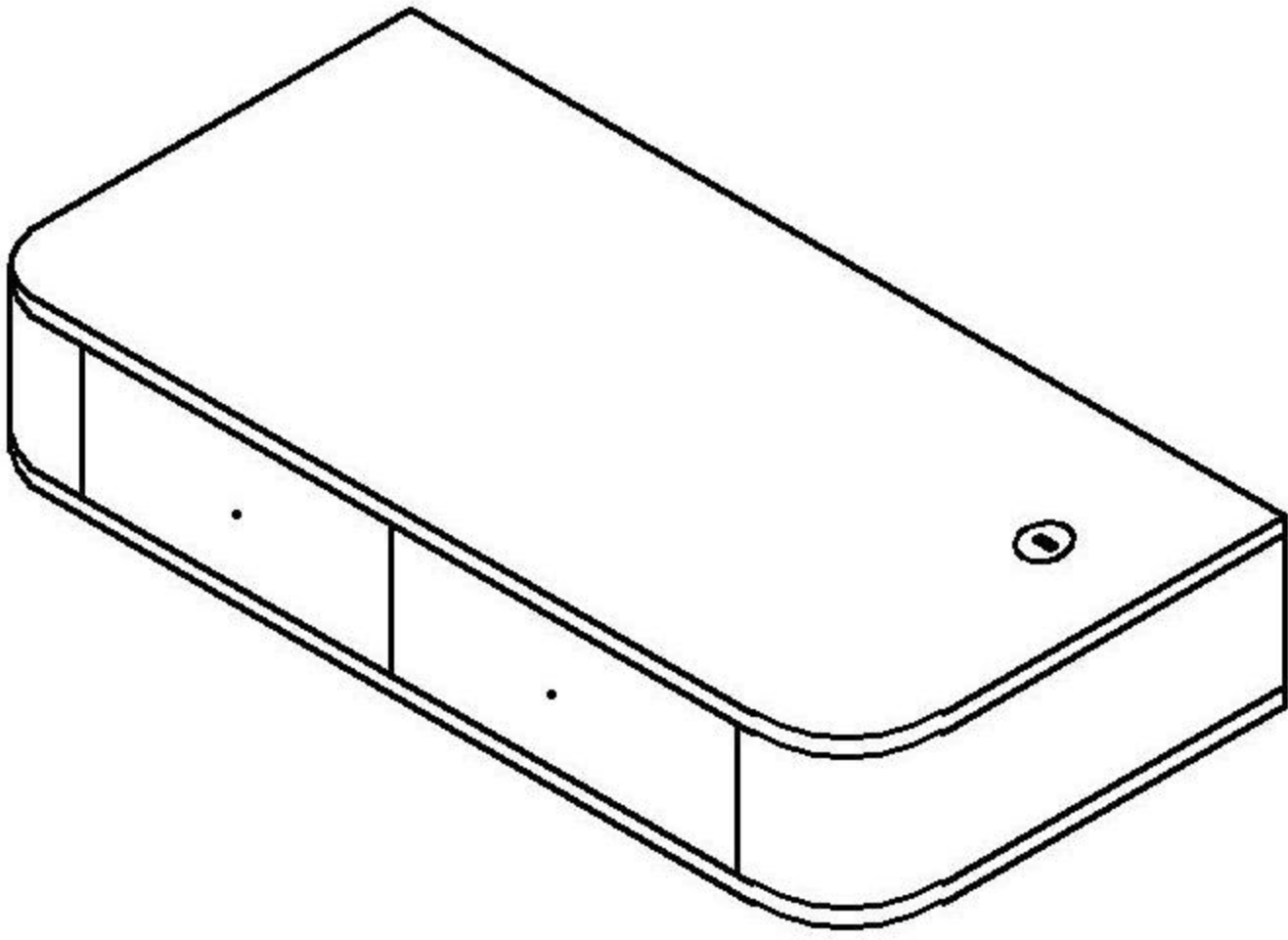
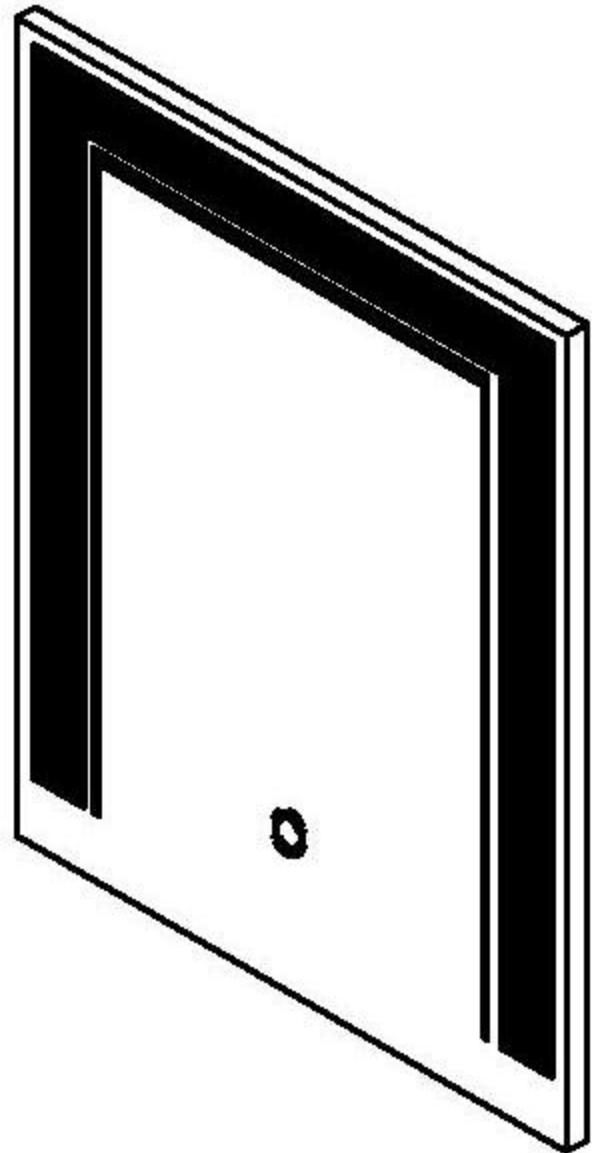


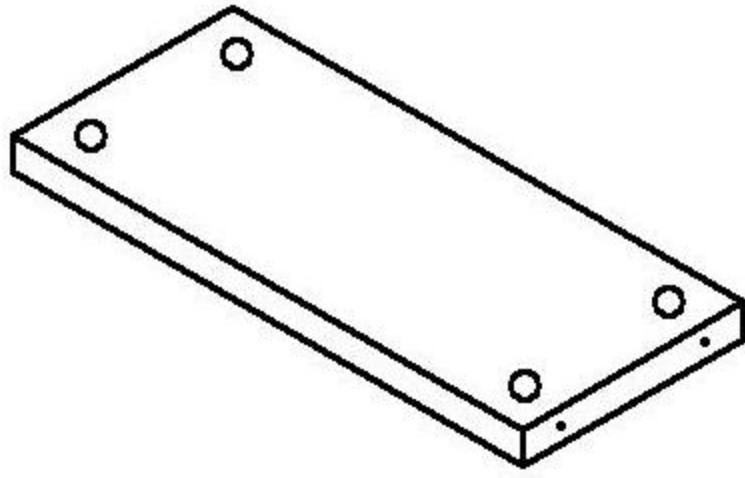
# Hardware list



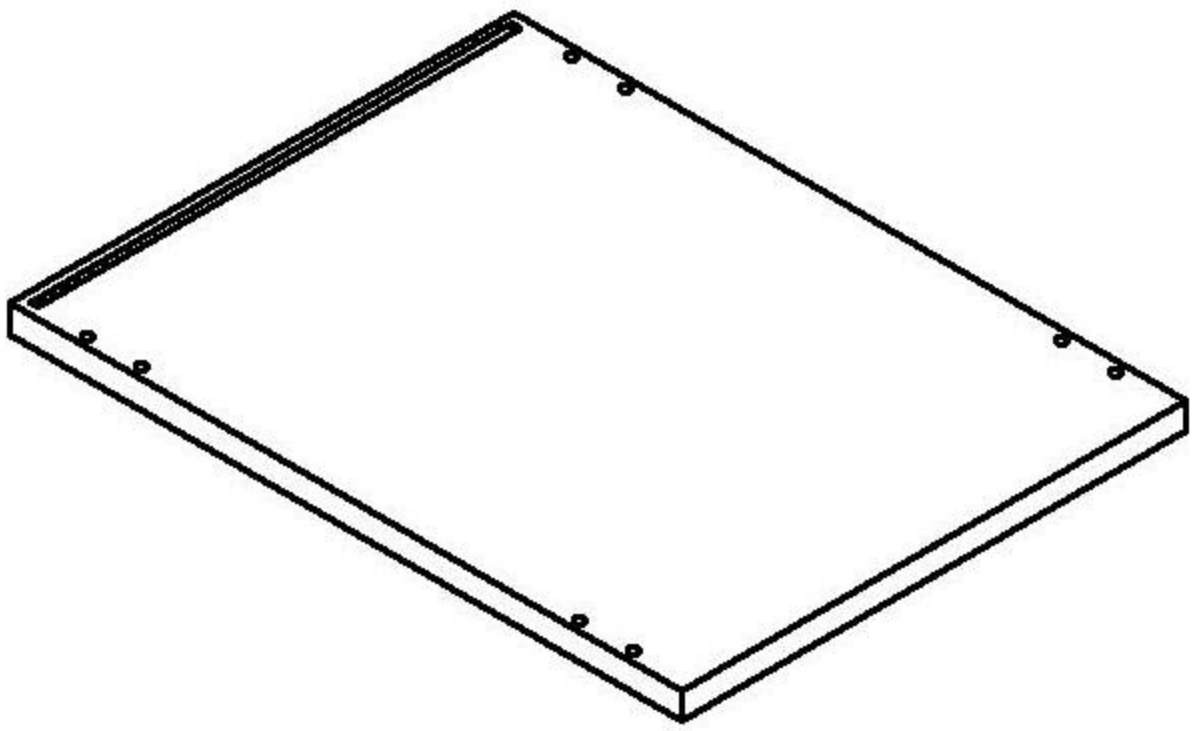
A



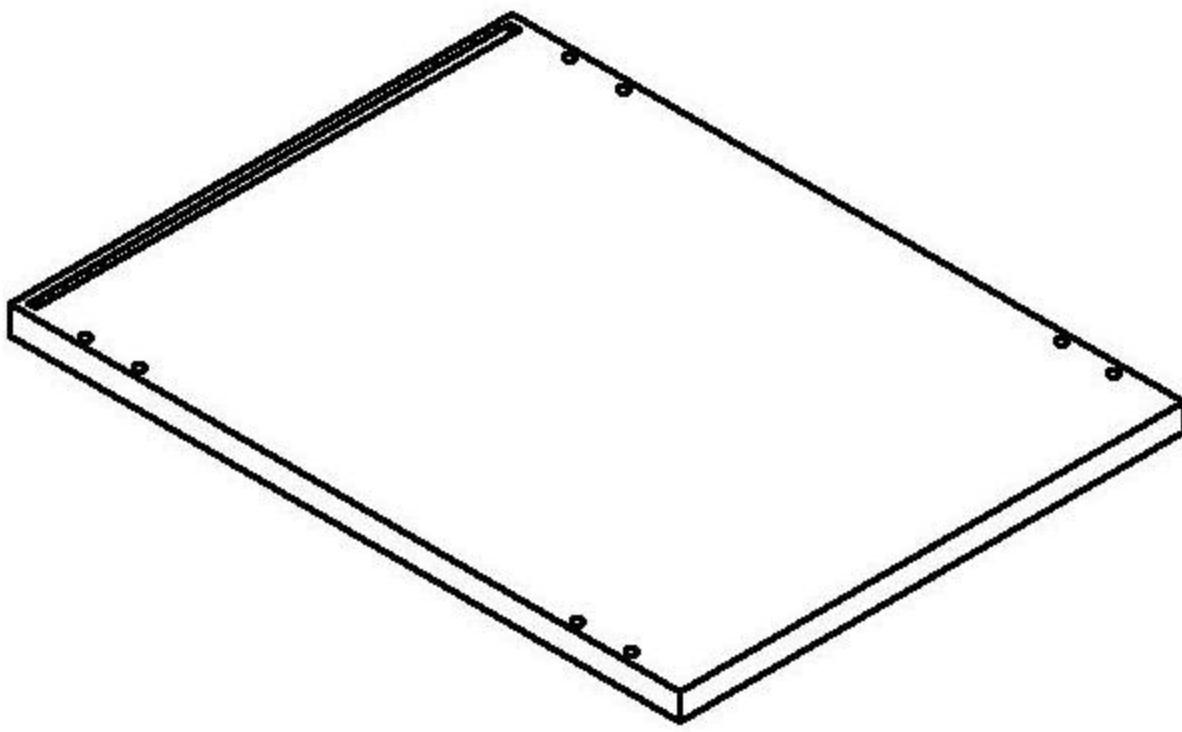
B



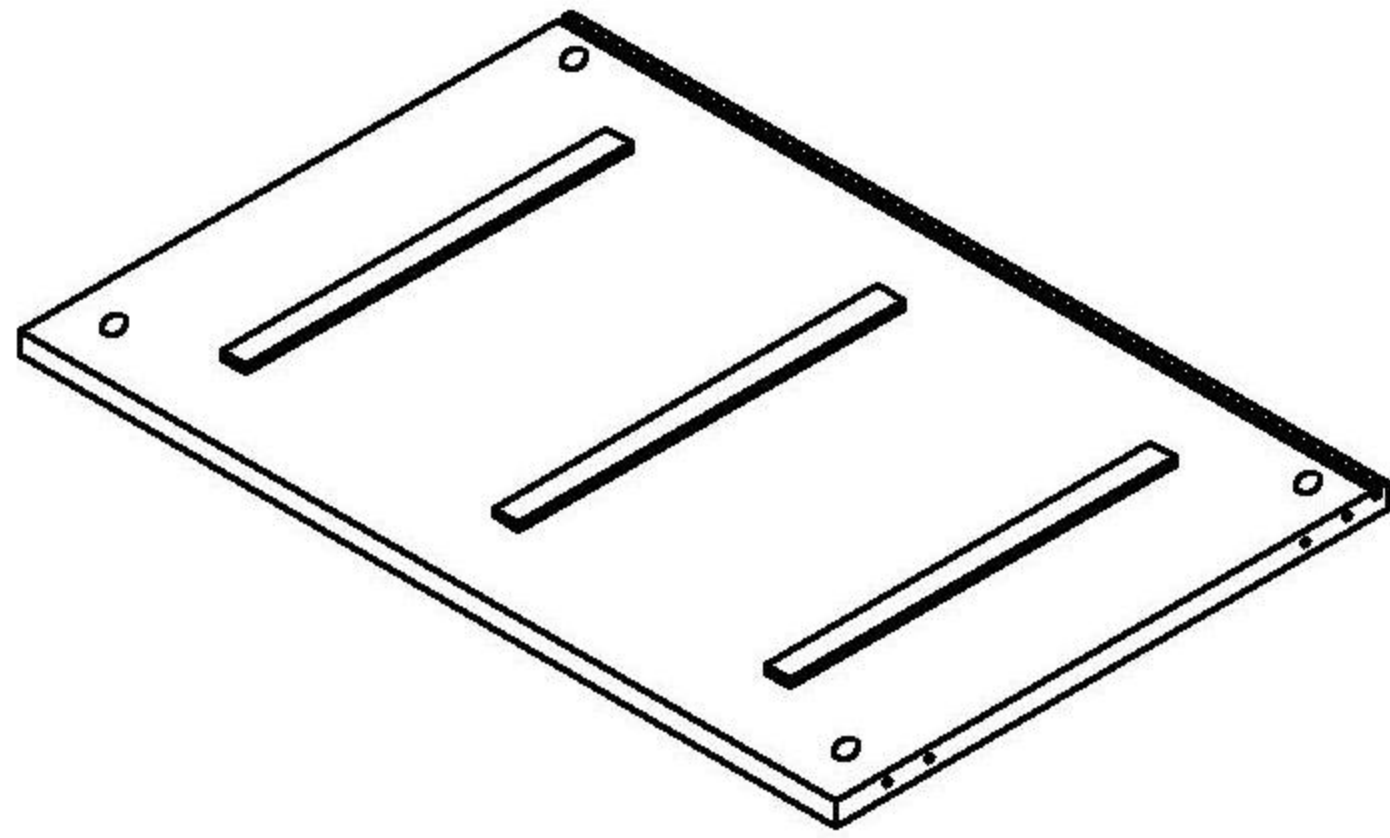
Cx2



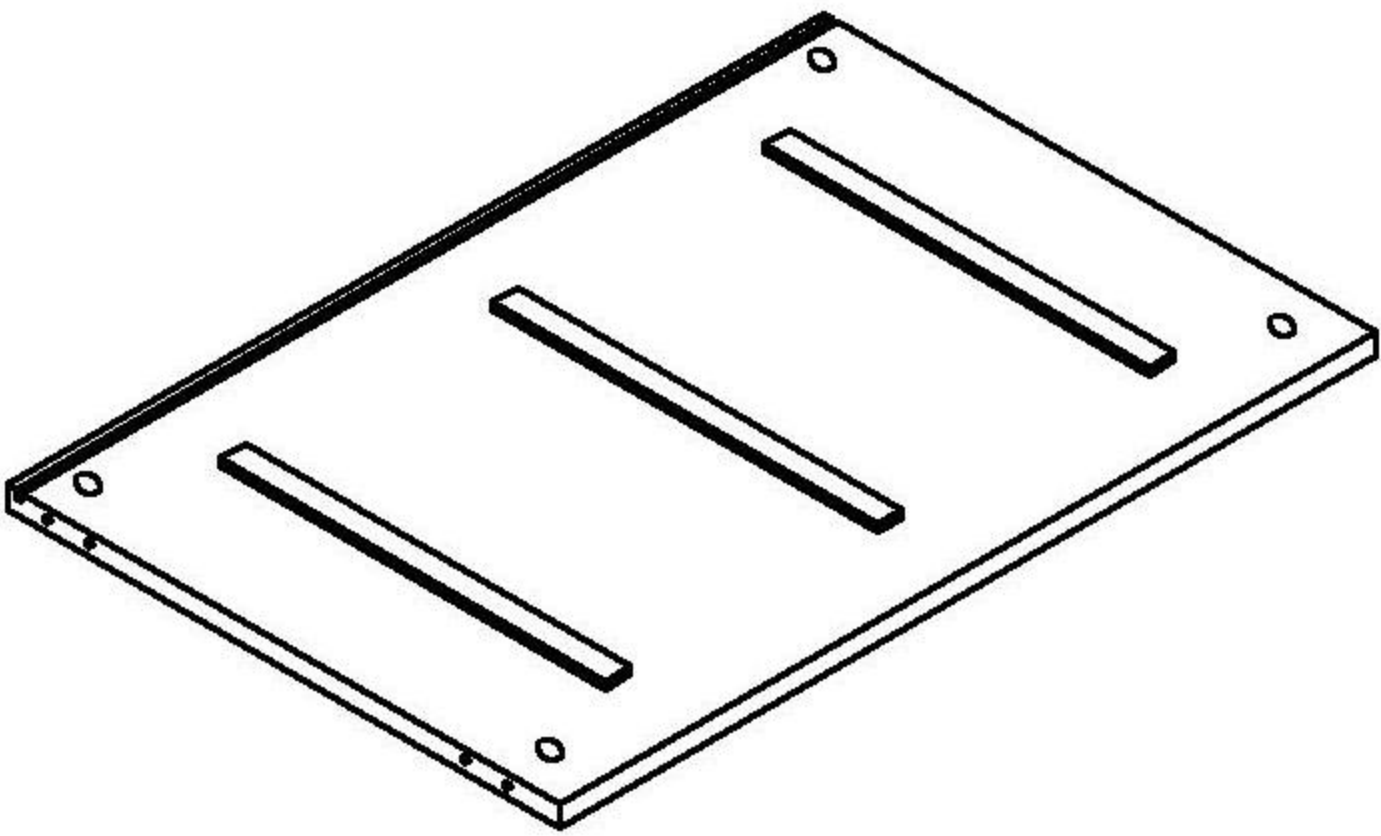
D



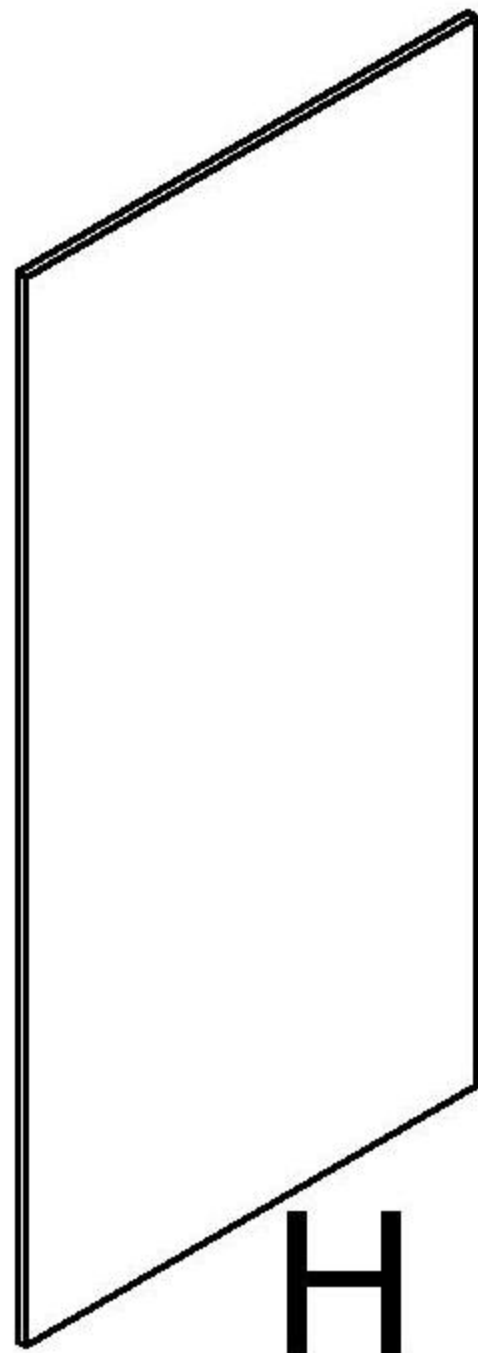
E



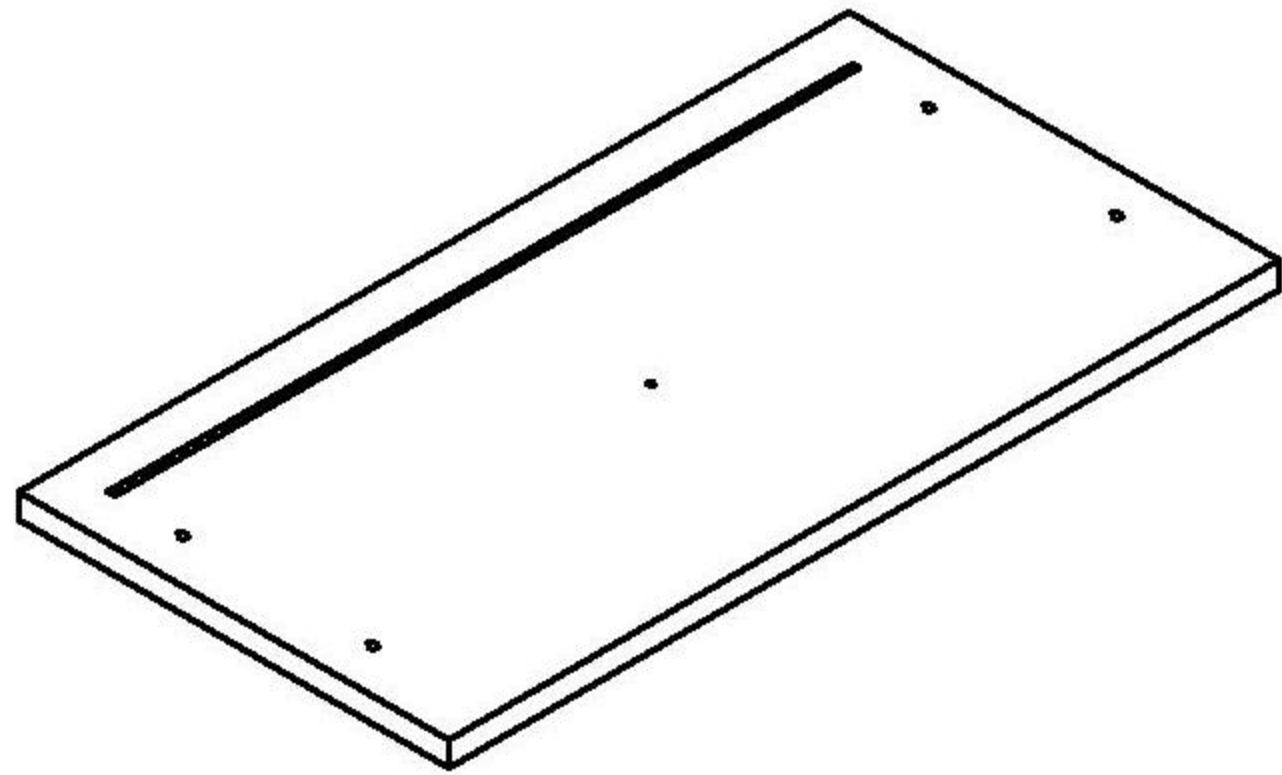
F



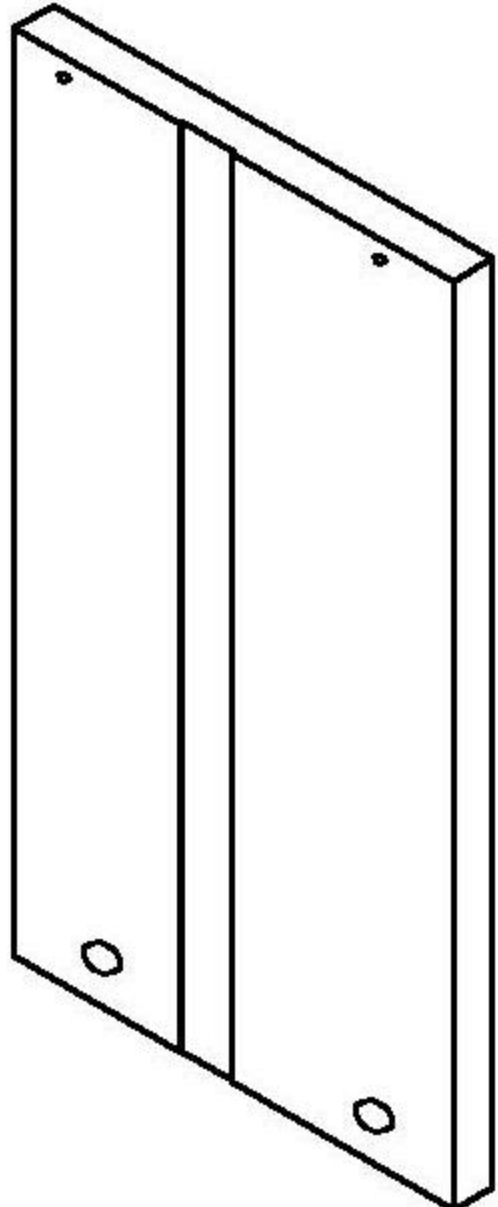
G



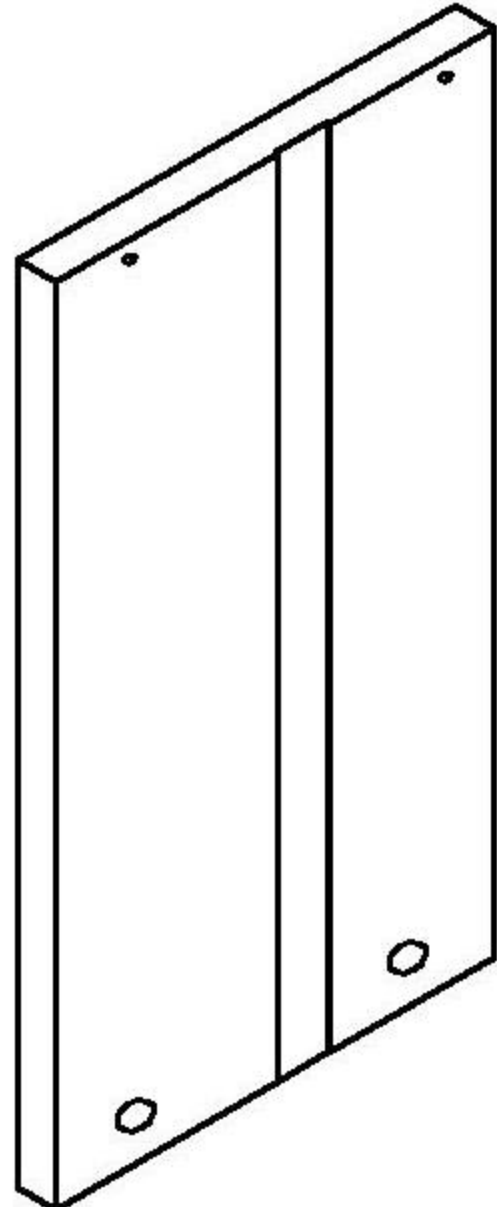
H



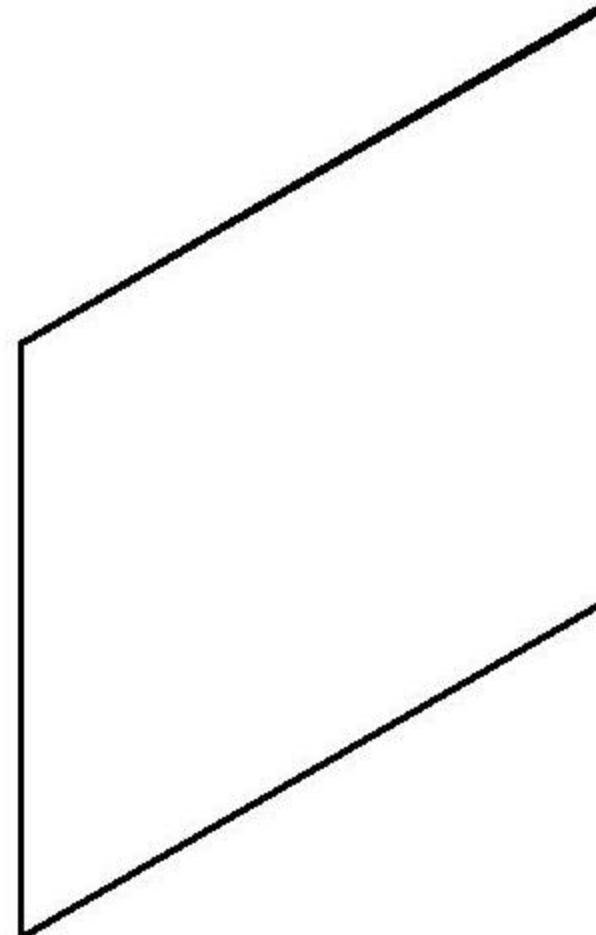
Ix3



Jx3

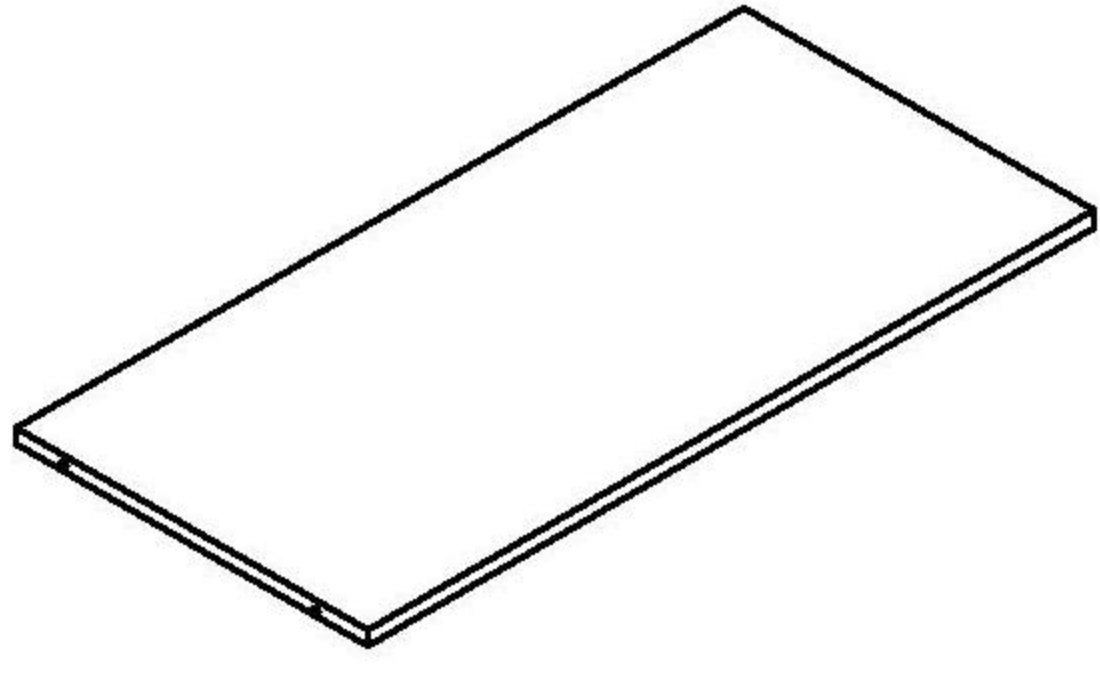


Kx3

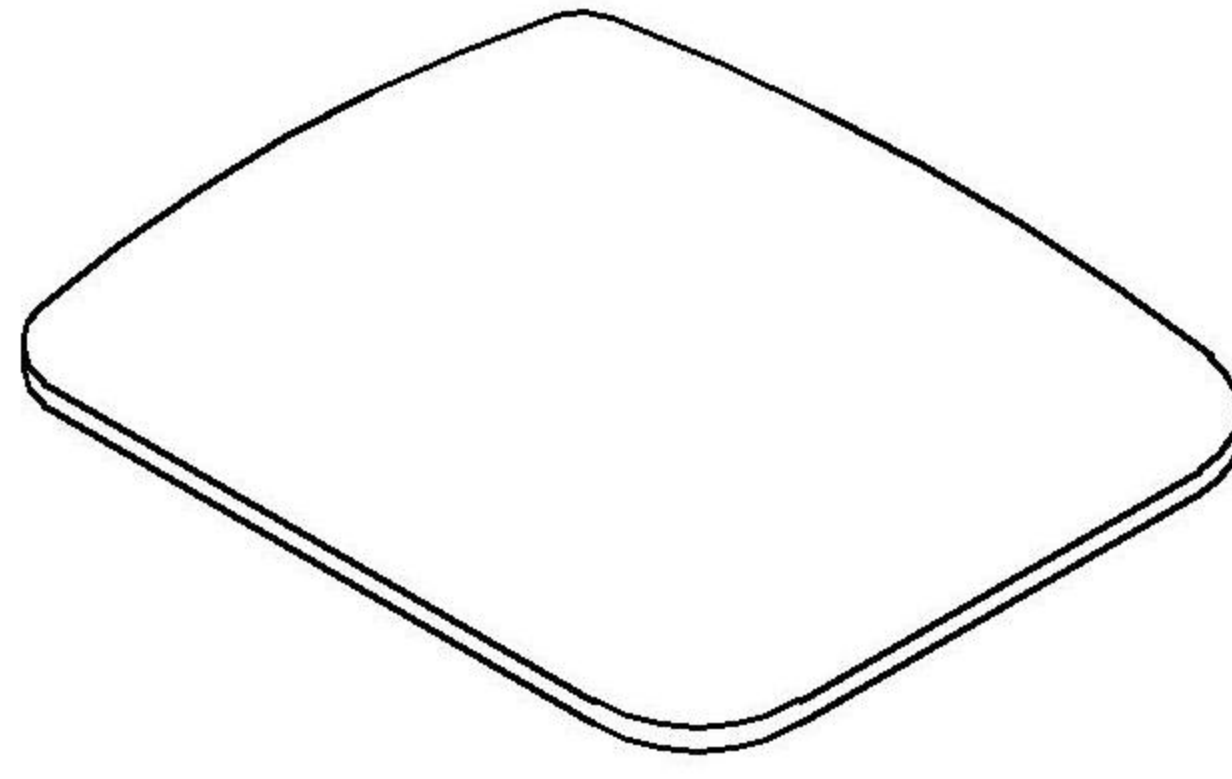


Lx3

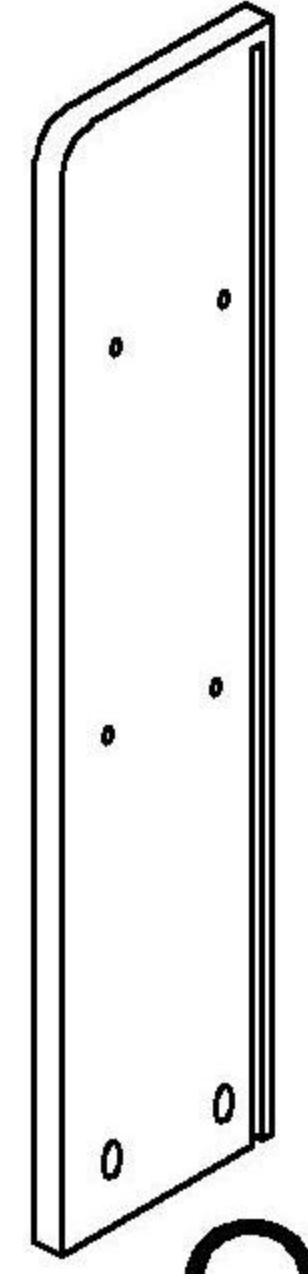
# Hardware list



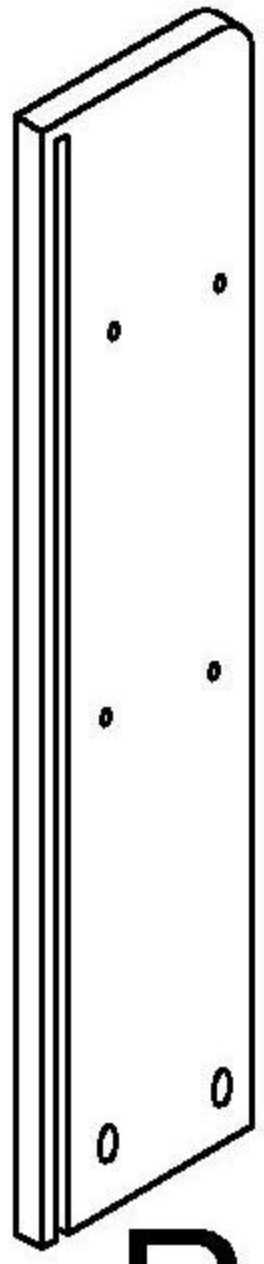
**Mx3**



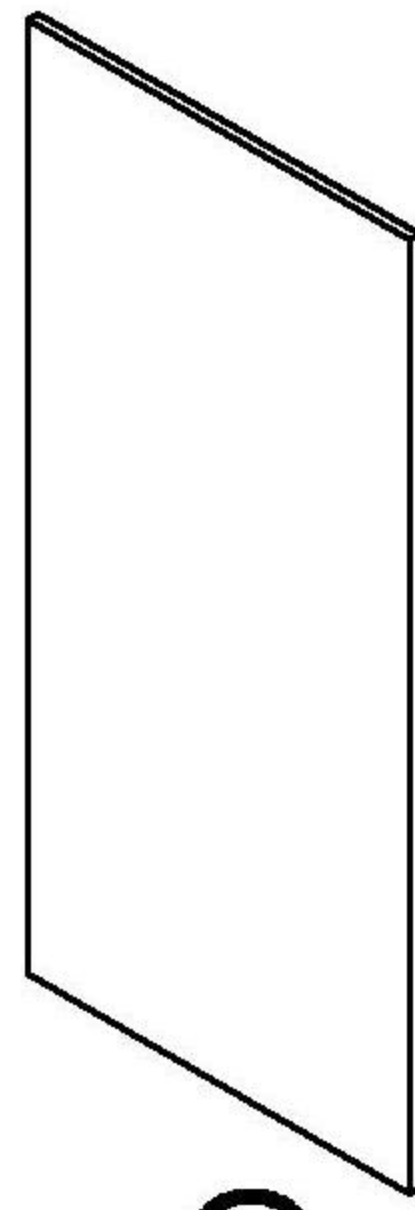
**N**



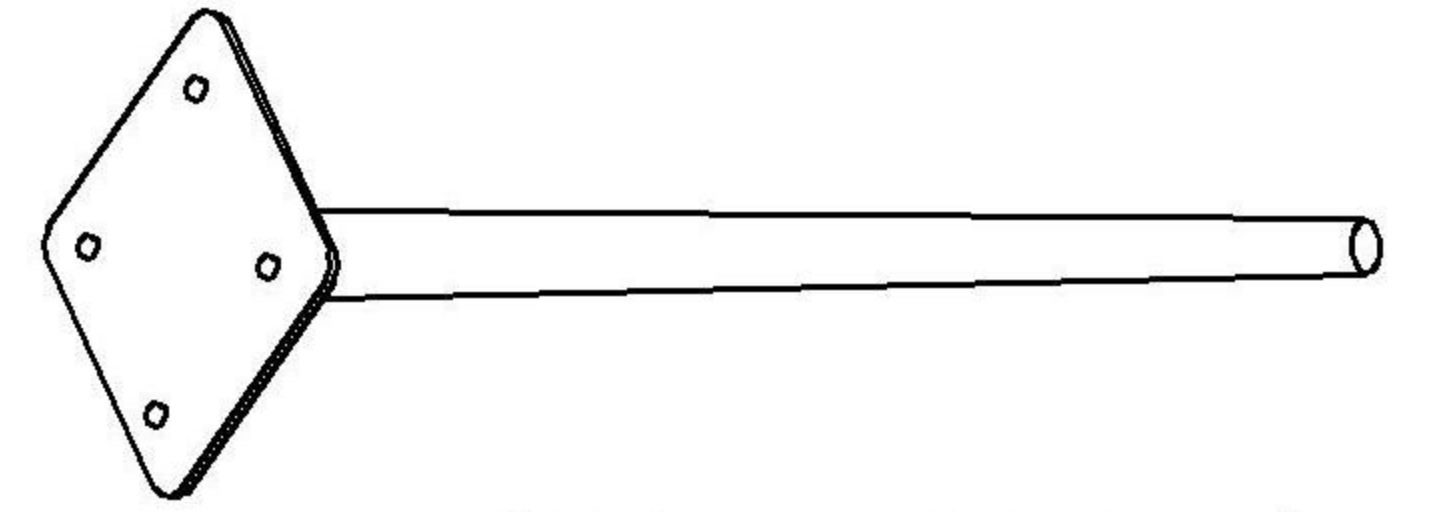
**O**



**P**

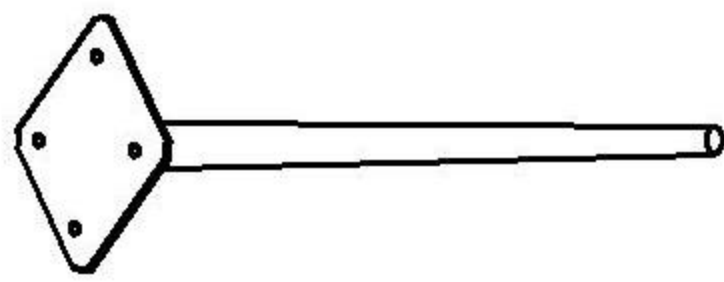


**Q**



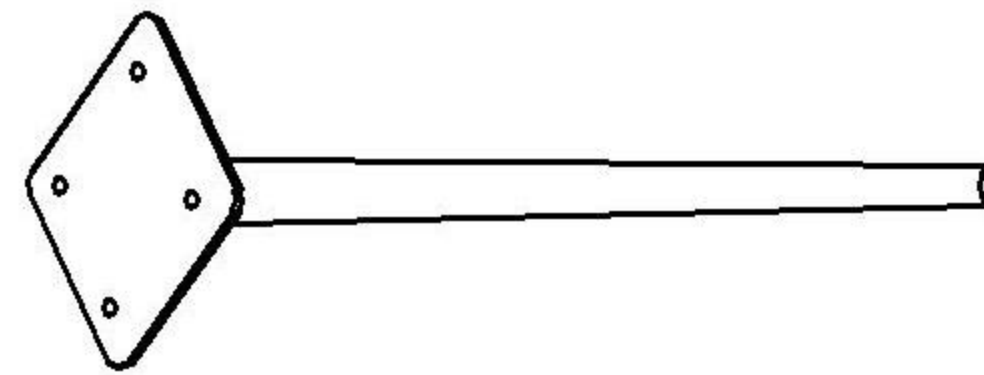
(Size: 610mm)

**Rx2**



(Size: 150mm)

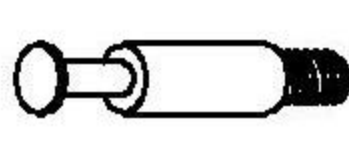

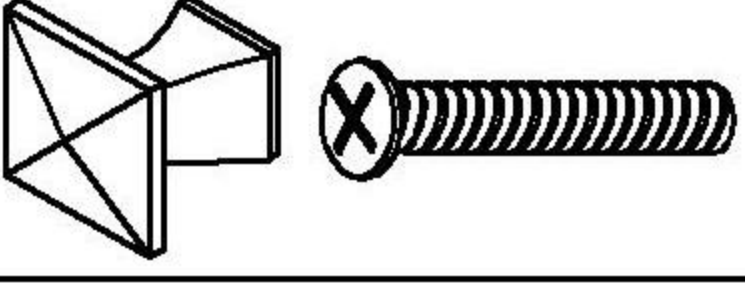
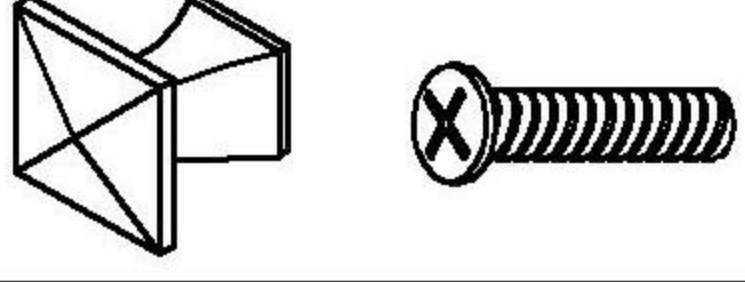
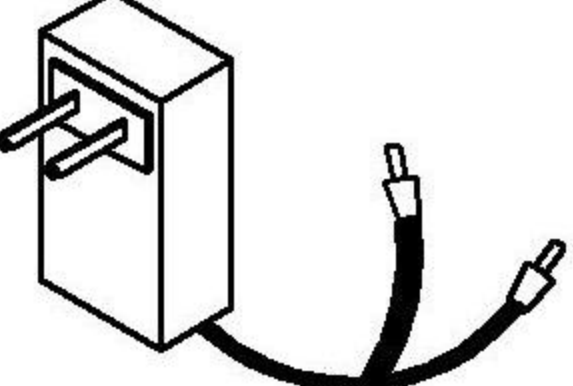

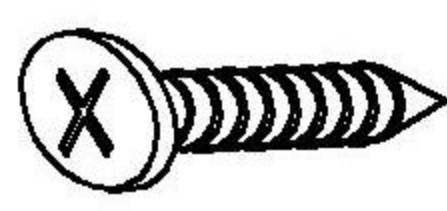
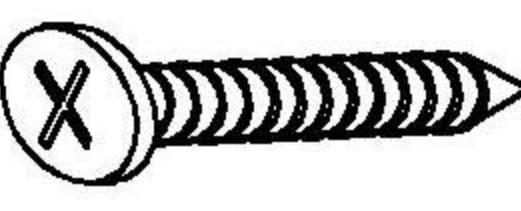
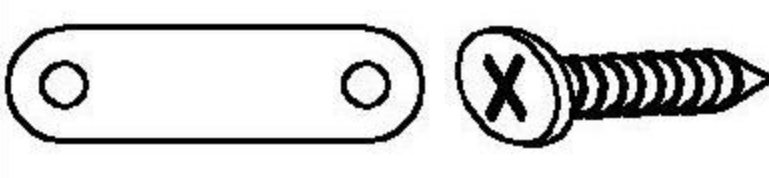
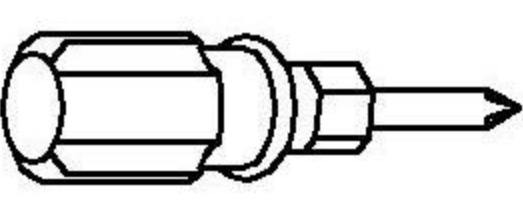

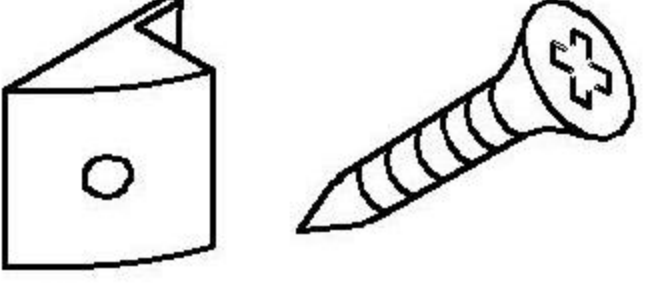
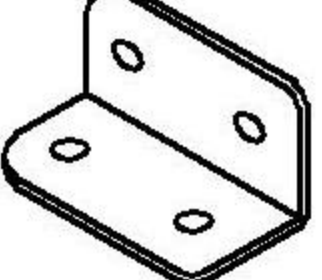
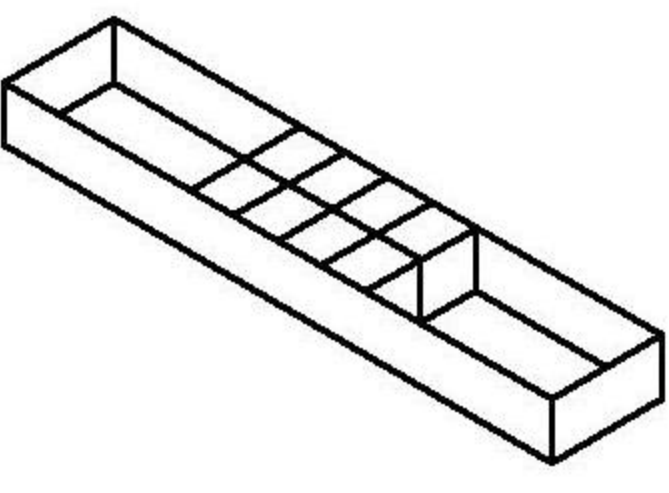
**Sx4**



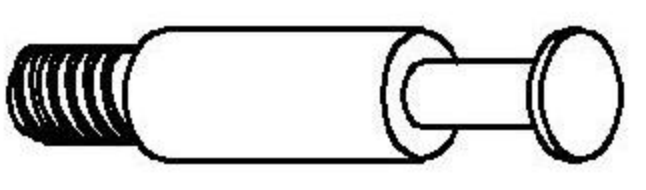

(Size: 400mm)

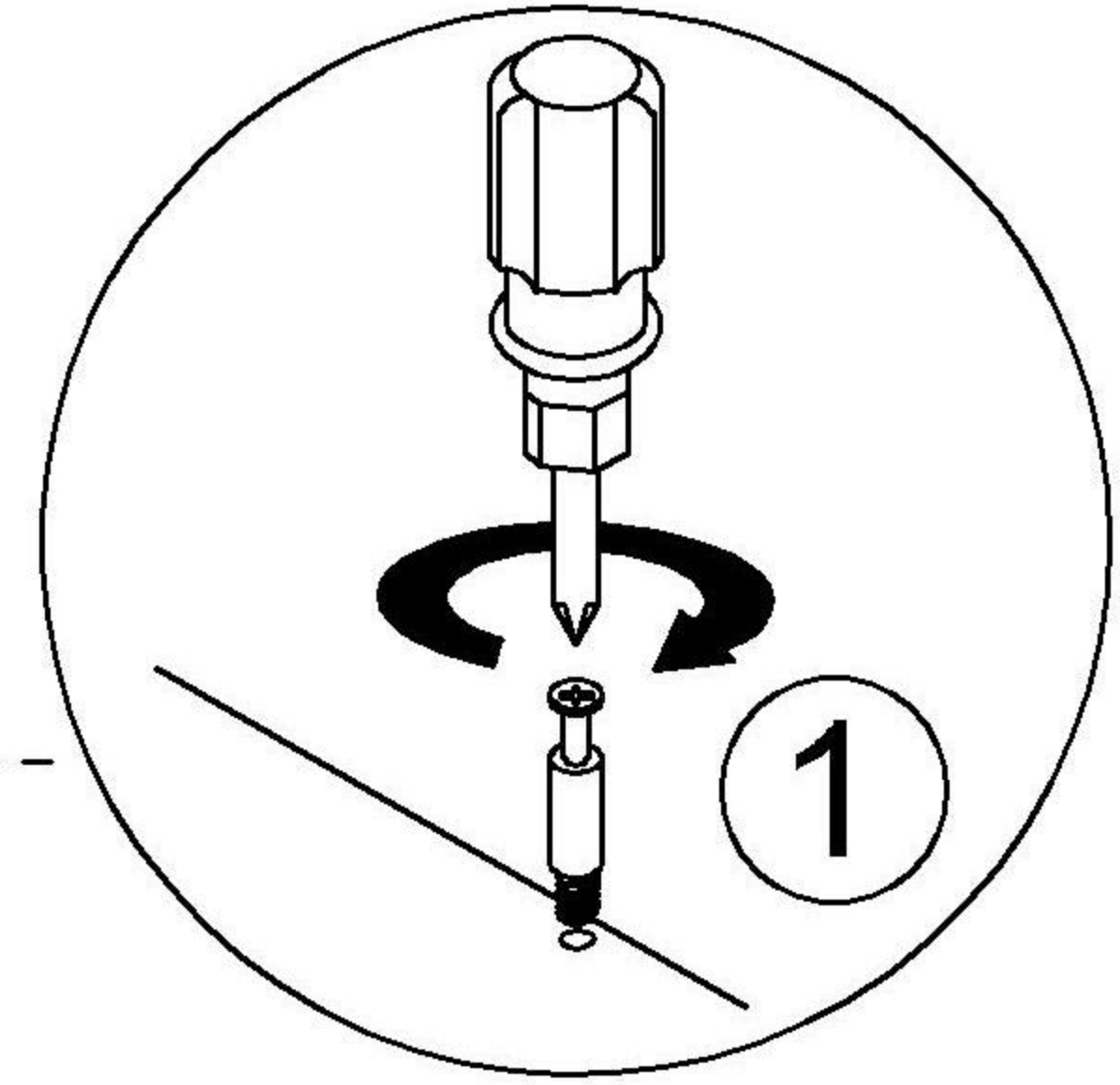
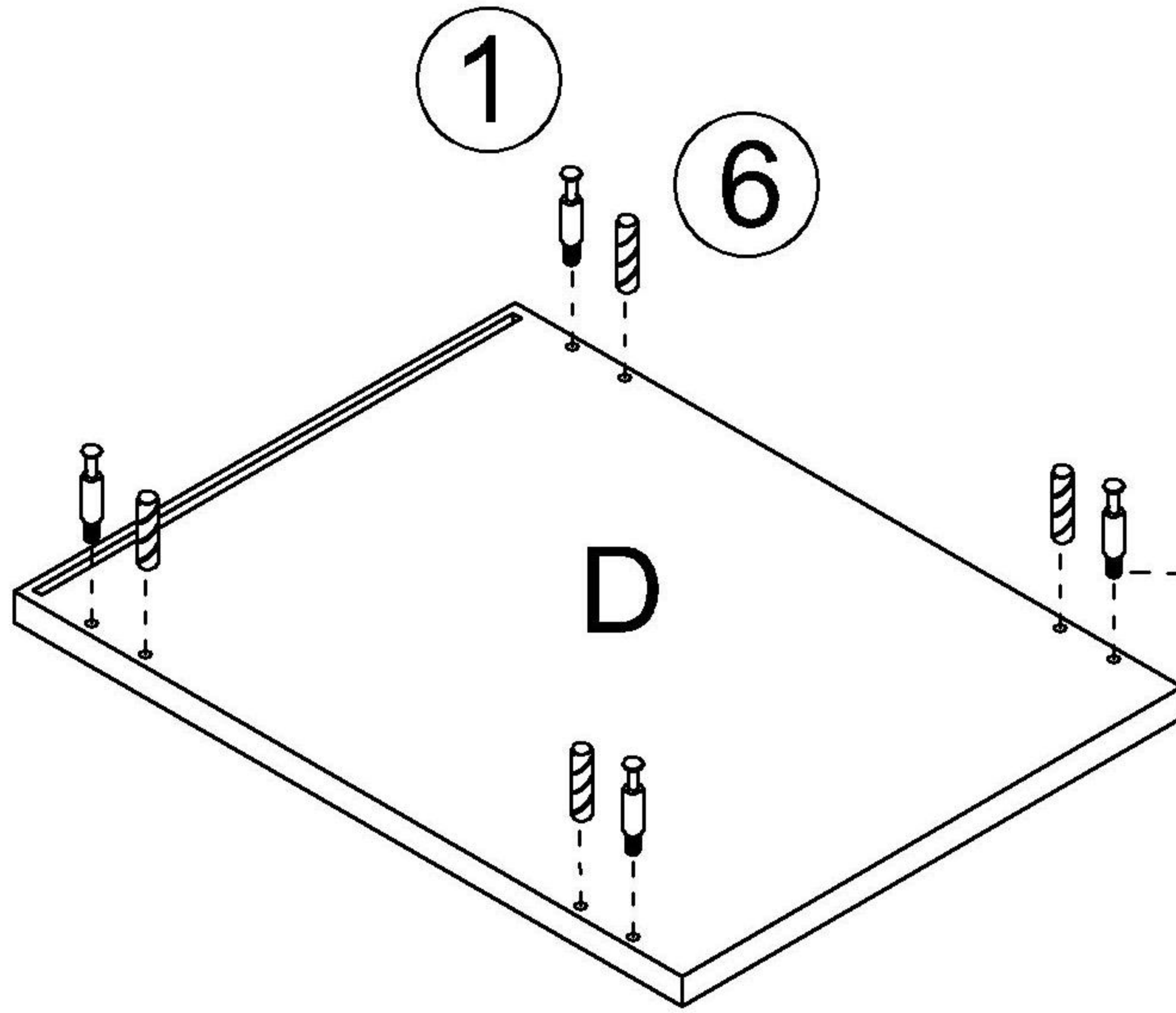
**Tx4**

# Accessories list

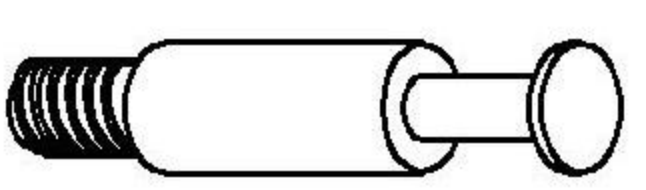

①		Two in one screw (10x38mm)	34 Pcs
②		Two in one nut (10x14mm)	34 Pcs
③		Cross machine wire (4x28mm)	2 Pcs
④		Cross machine wire (4x18mm)	3 Pcs
⑤		The power adapter	1 Pc
⑥		Wood chipping (6x30mm)	8 Pcs
⑦		Countersunk head tapping screw (3.5x12mm)	48 Pcs
⑧		Countersunk head tapping screw (3.5x30mm)	12 Pcs
⑨		Iron gasket & Self tapping screw	2 Pcs
⑩		Cross screwdriver	1 Pc
⑪		Protective sticker	14 Pcs
⑫		Back plate buckle & Screw (3x16mm)	4 Pcs
⑬		Corner code	2 Pcs
⑭		Lipstick storage box	1 Pc

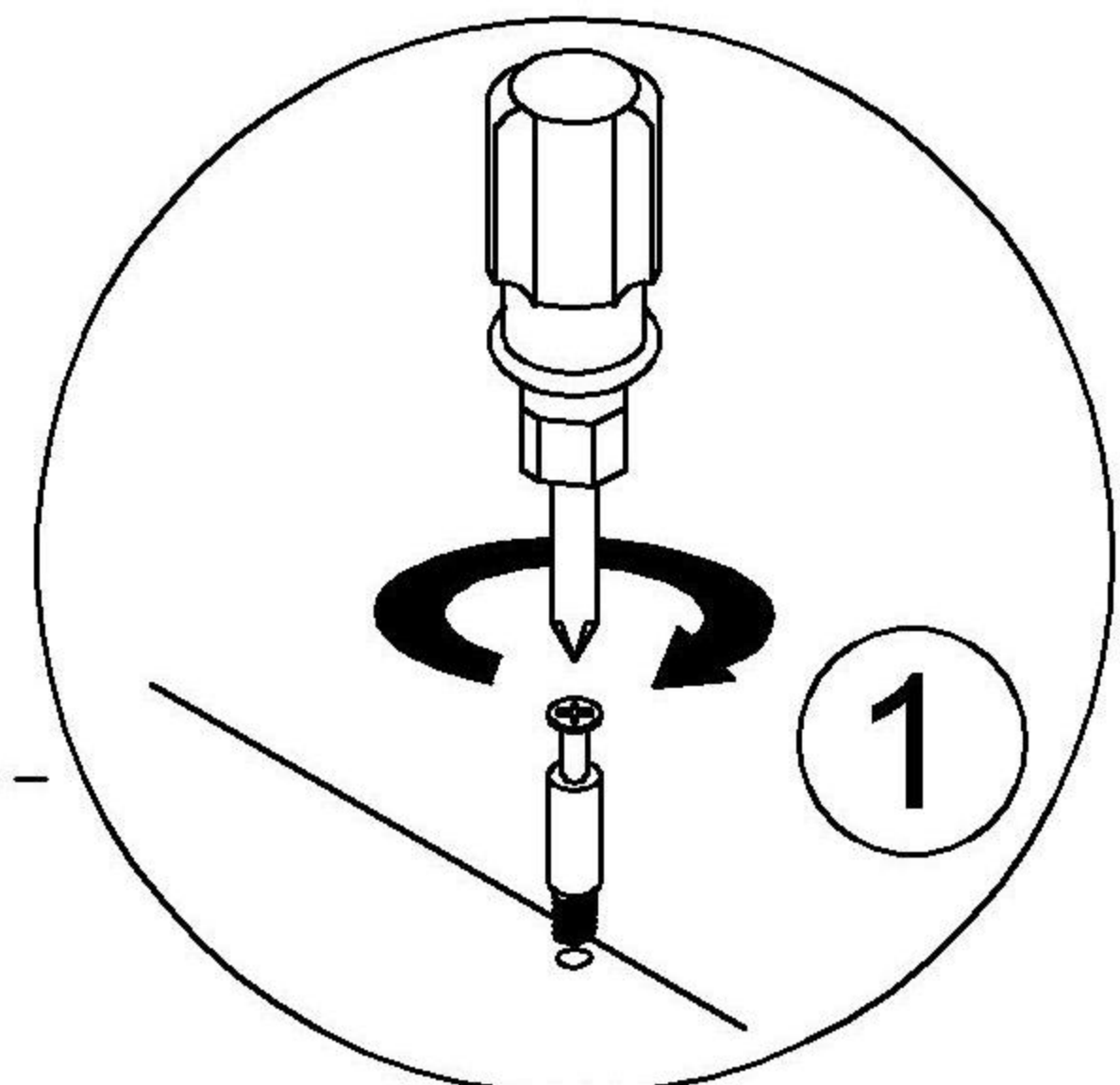
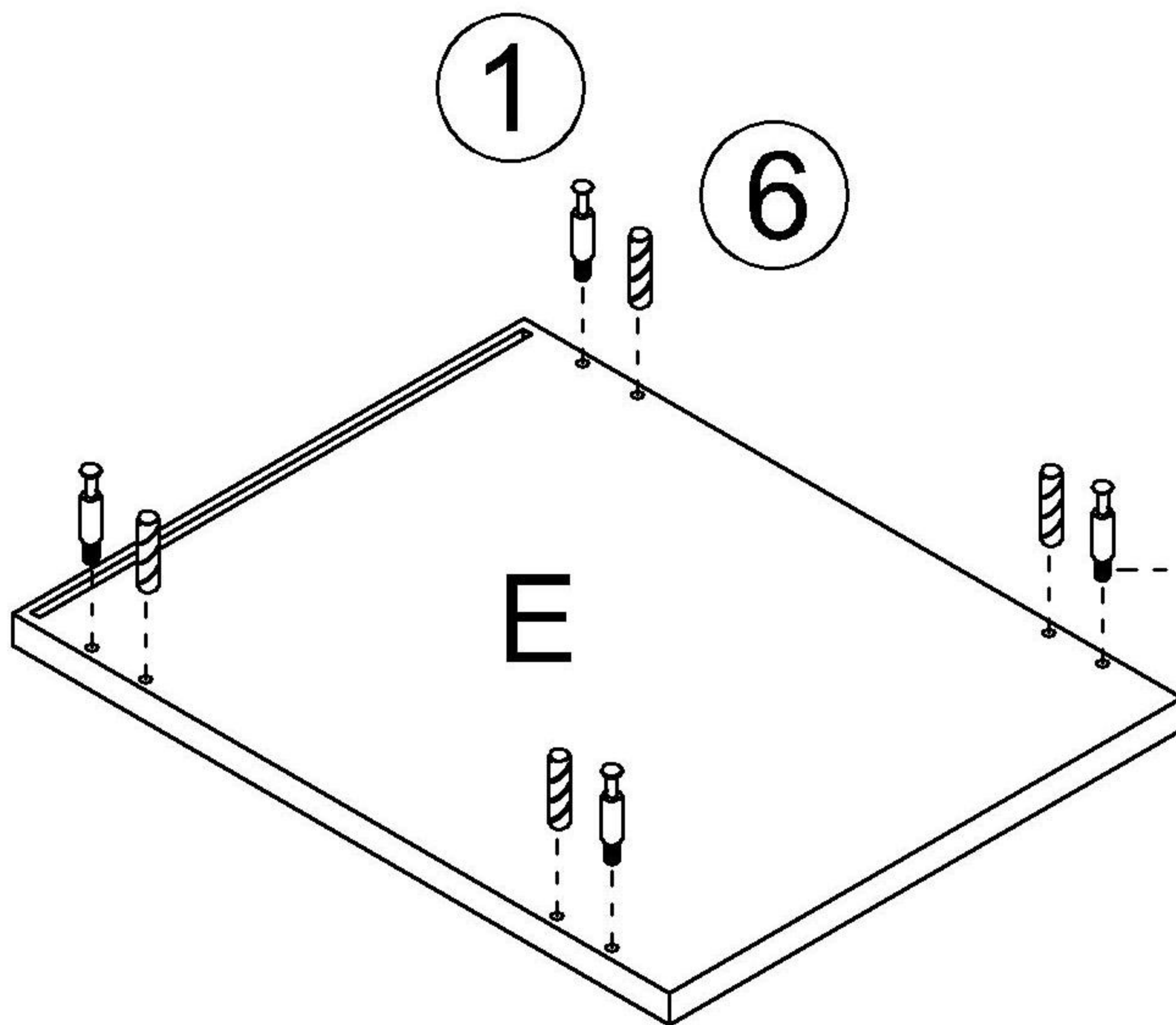
# Step 1

1		x 4
6		x 4

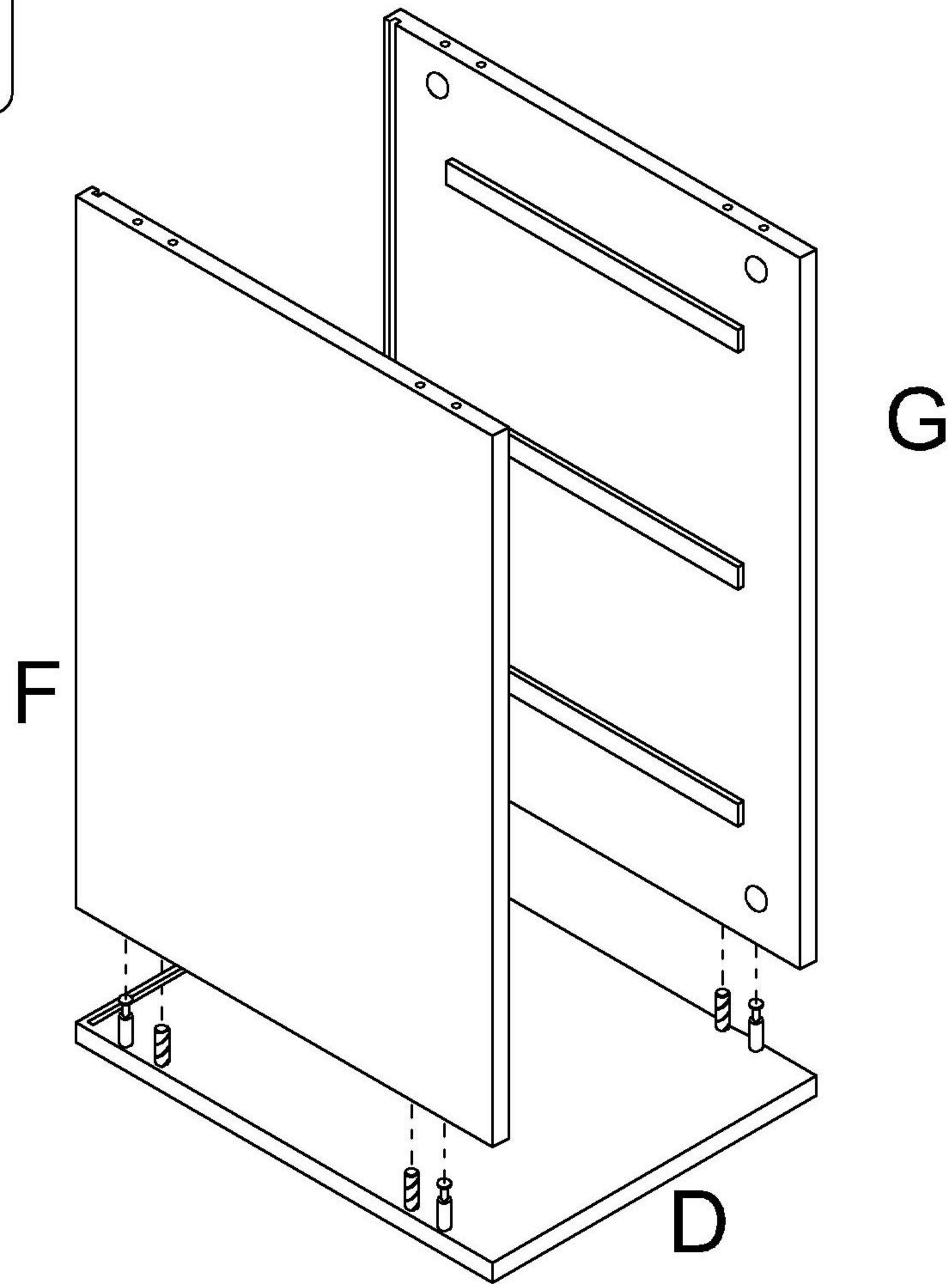


# Step 2


1		x 4
6		x 4

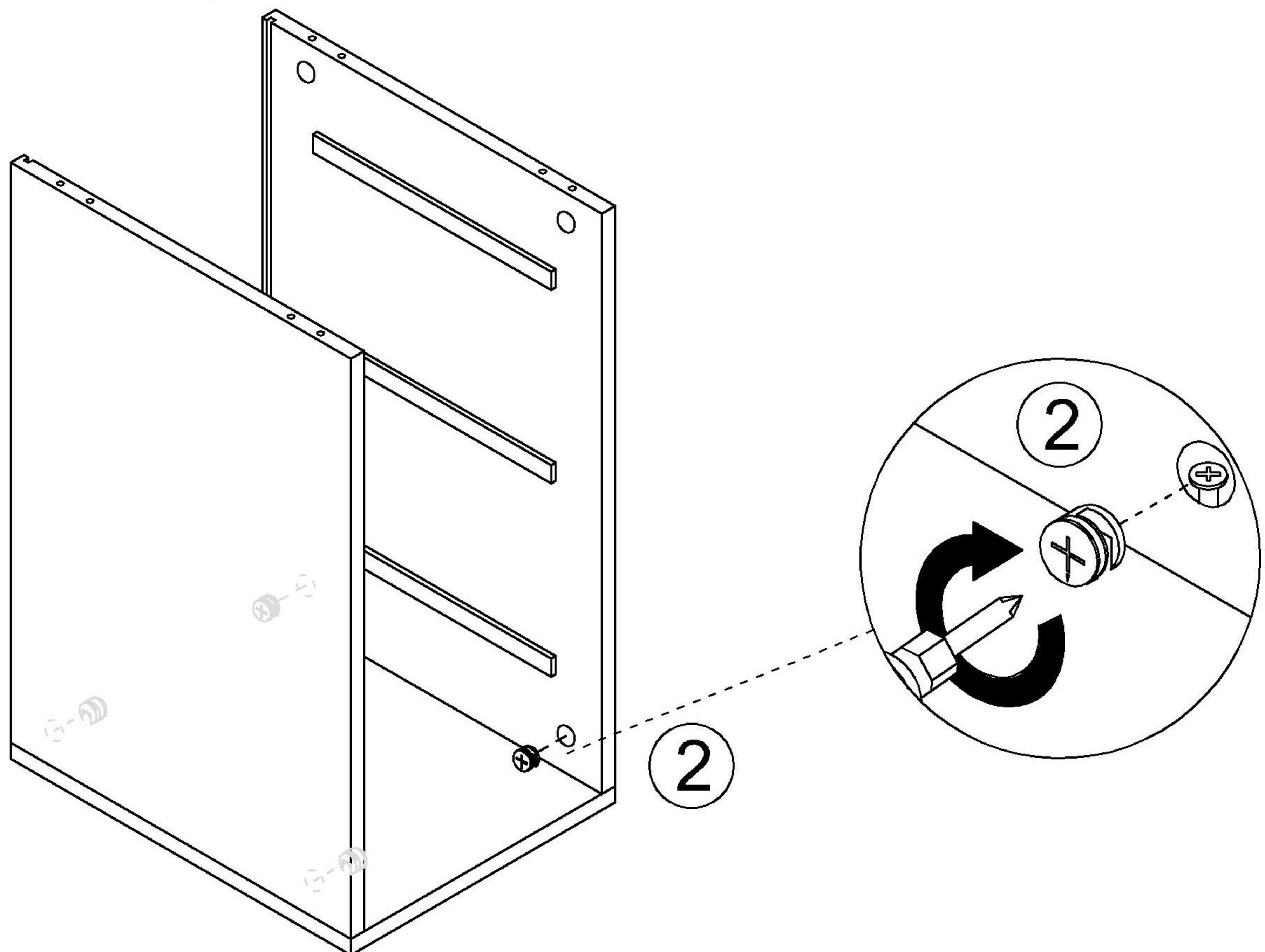


# Step 3

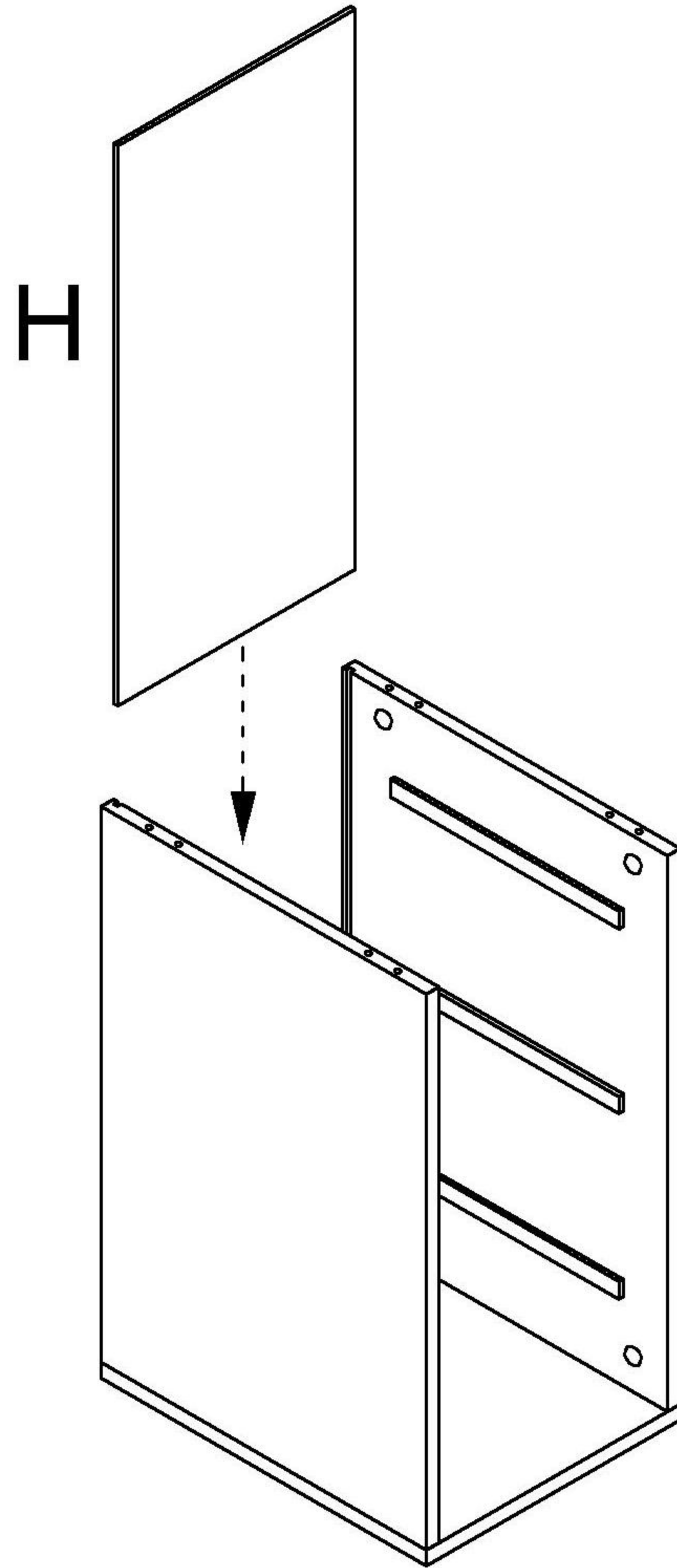


# Step 4

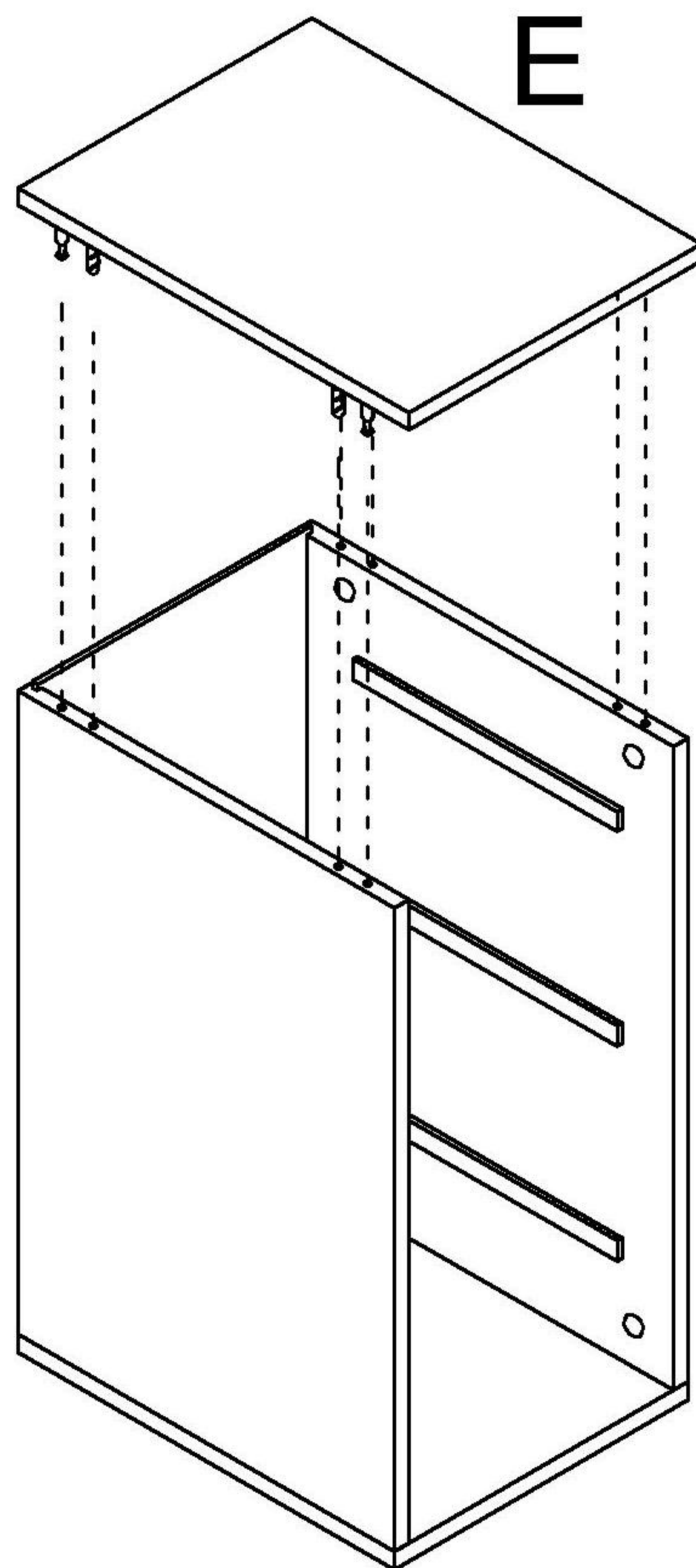
2  x 4



# Step 5



# Step 6

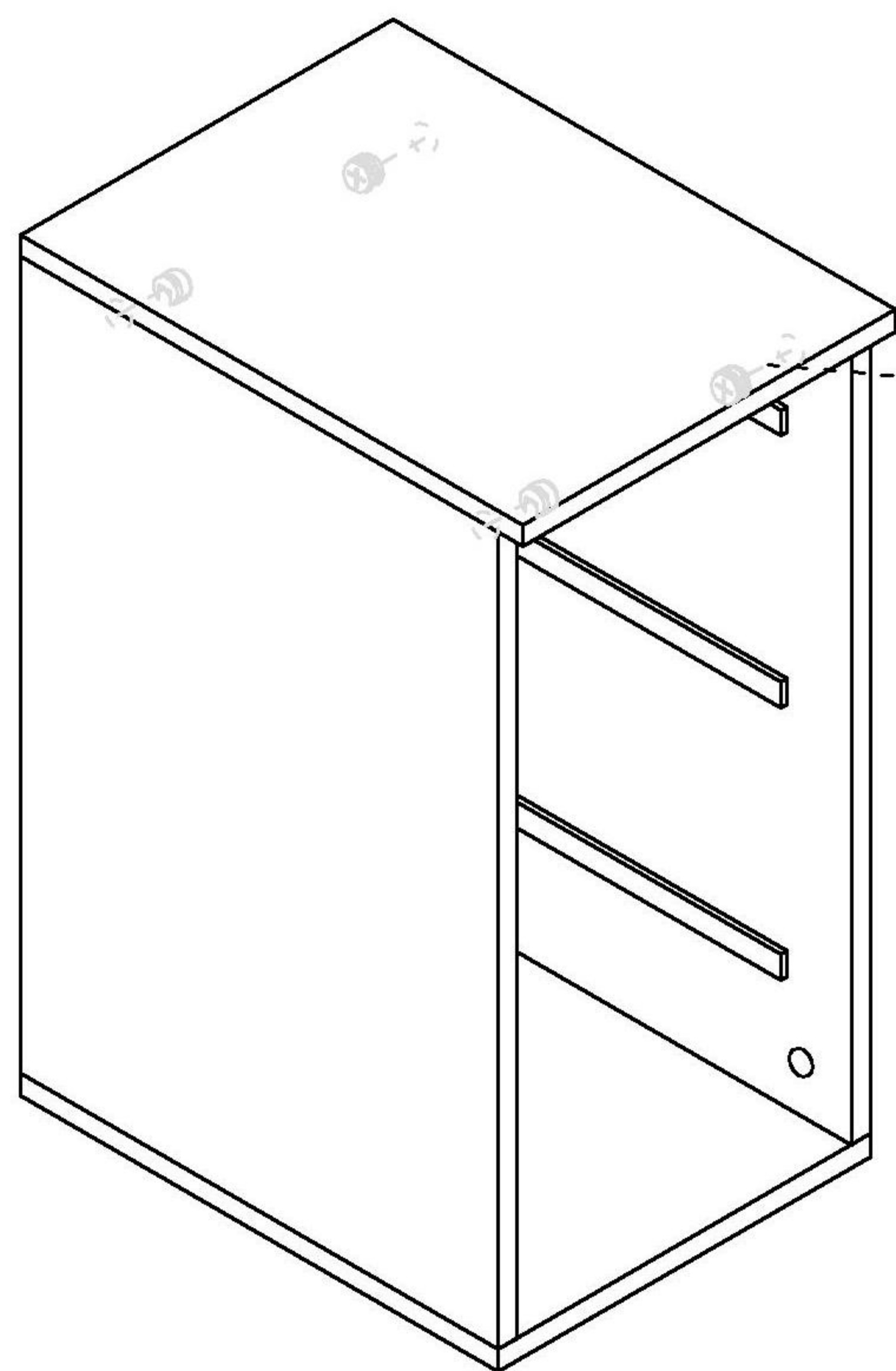


# Step 7

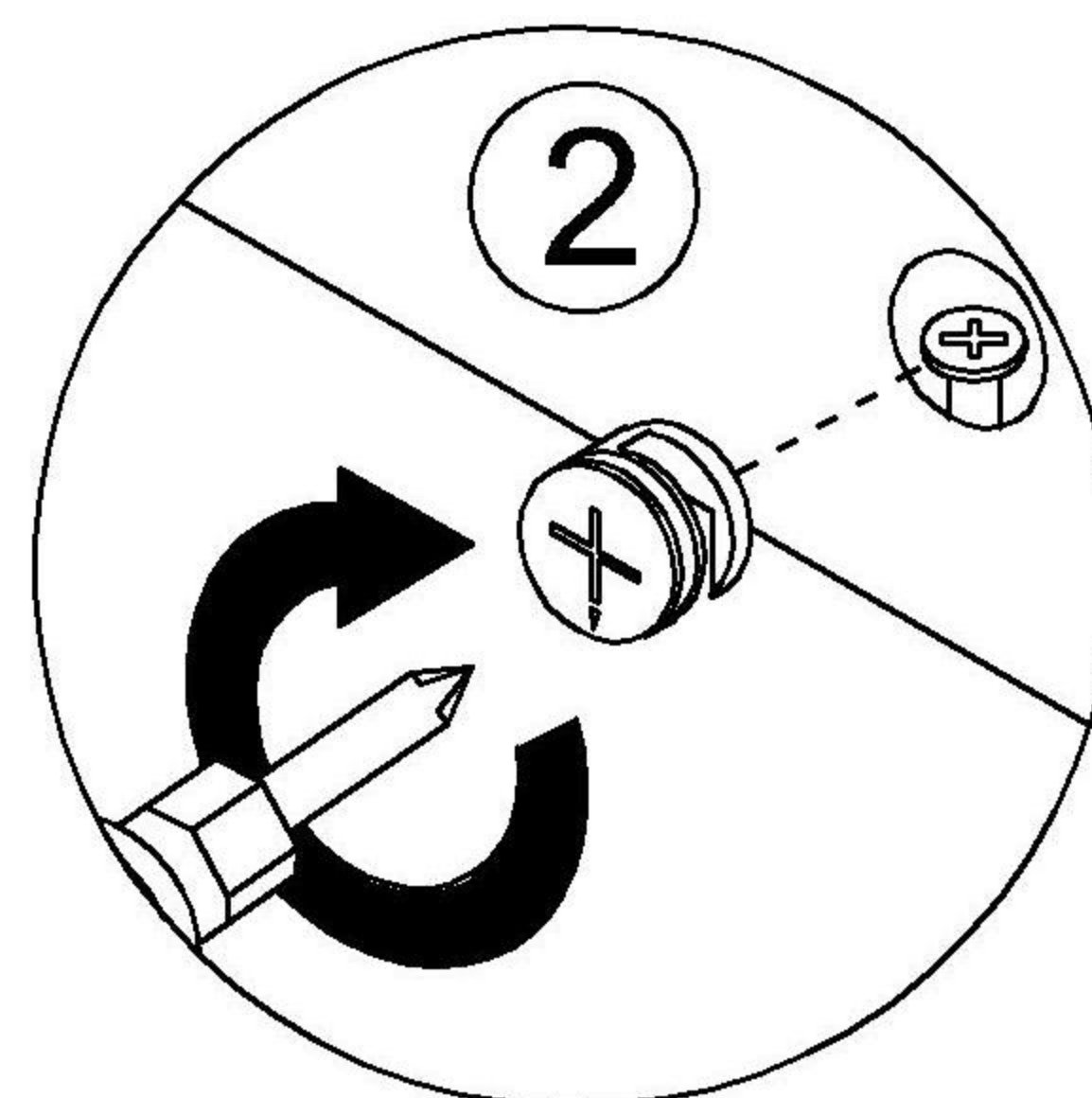
2



x 4

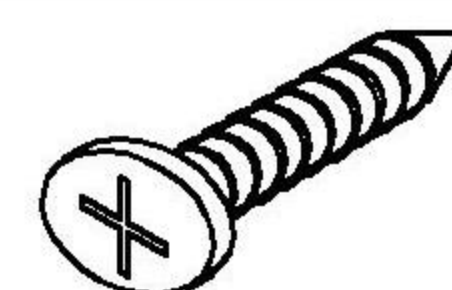


2

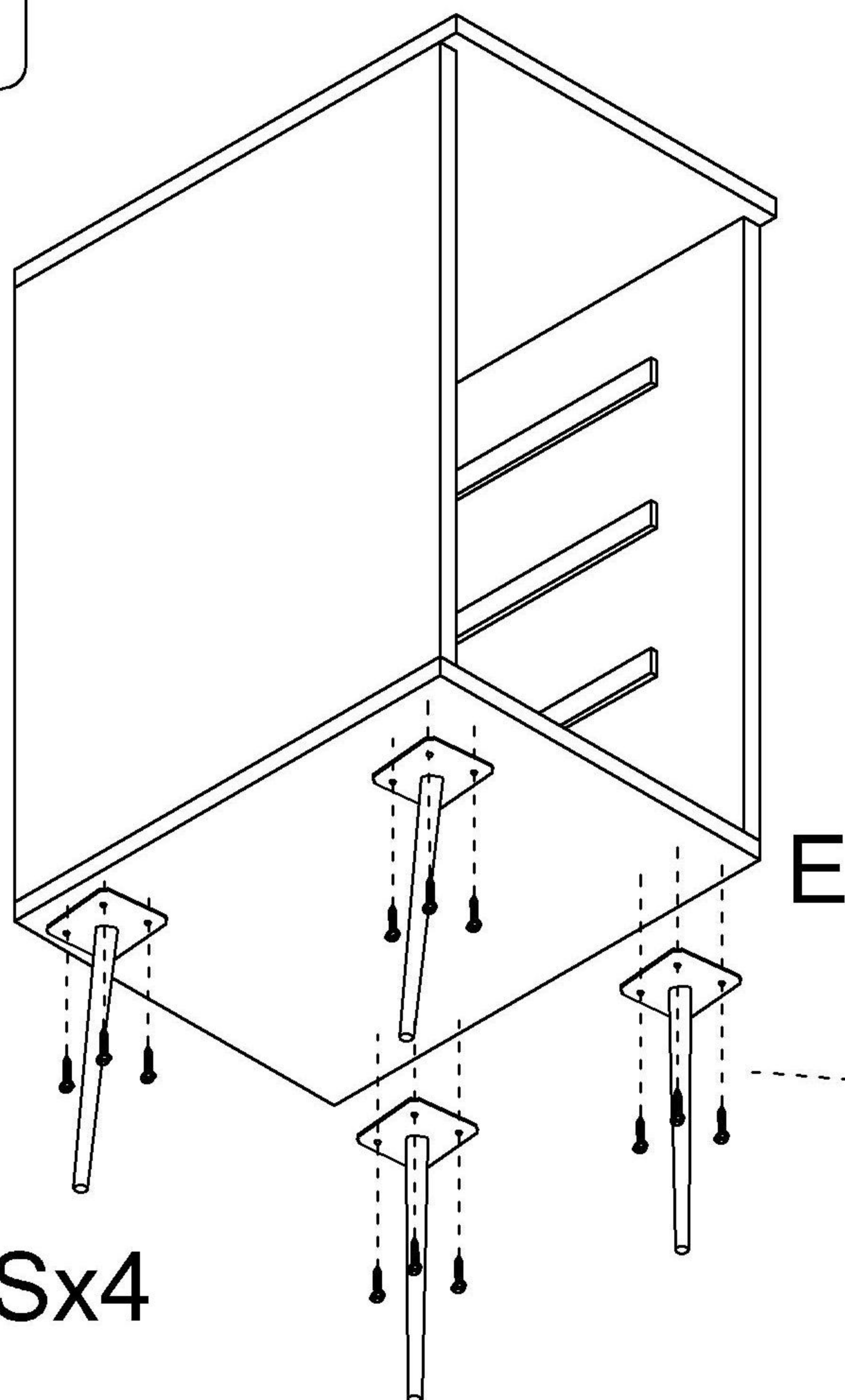


# Step 8

7

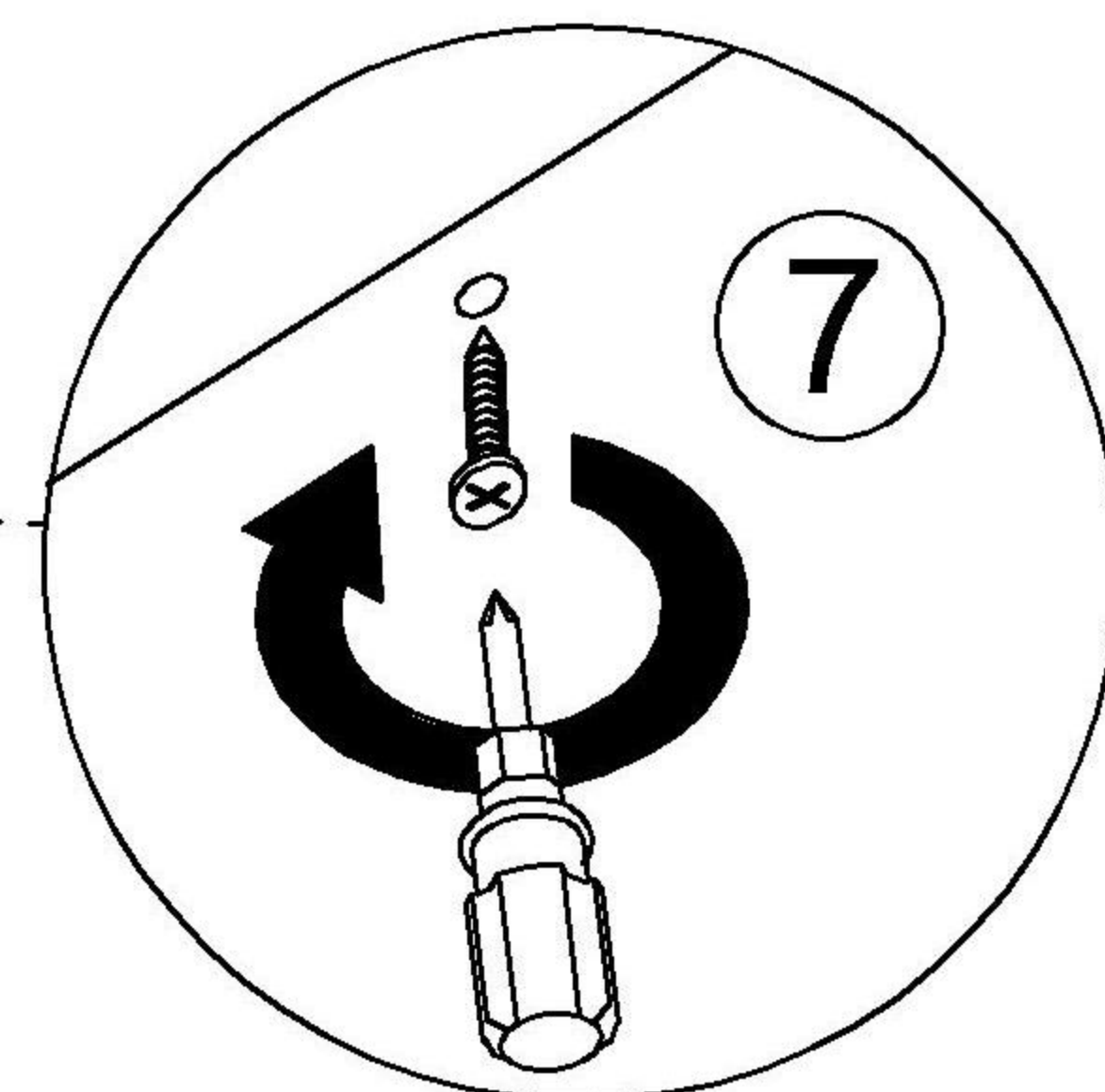


x 16



Sx4

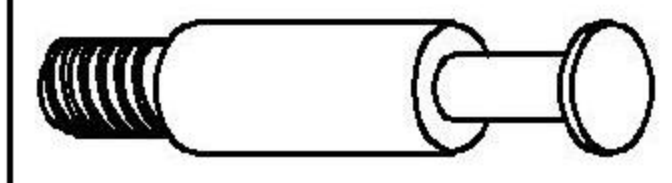
E



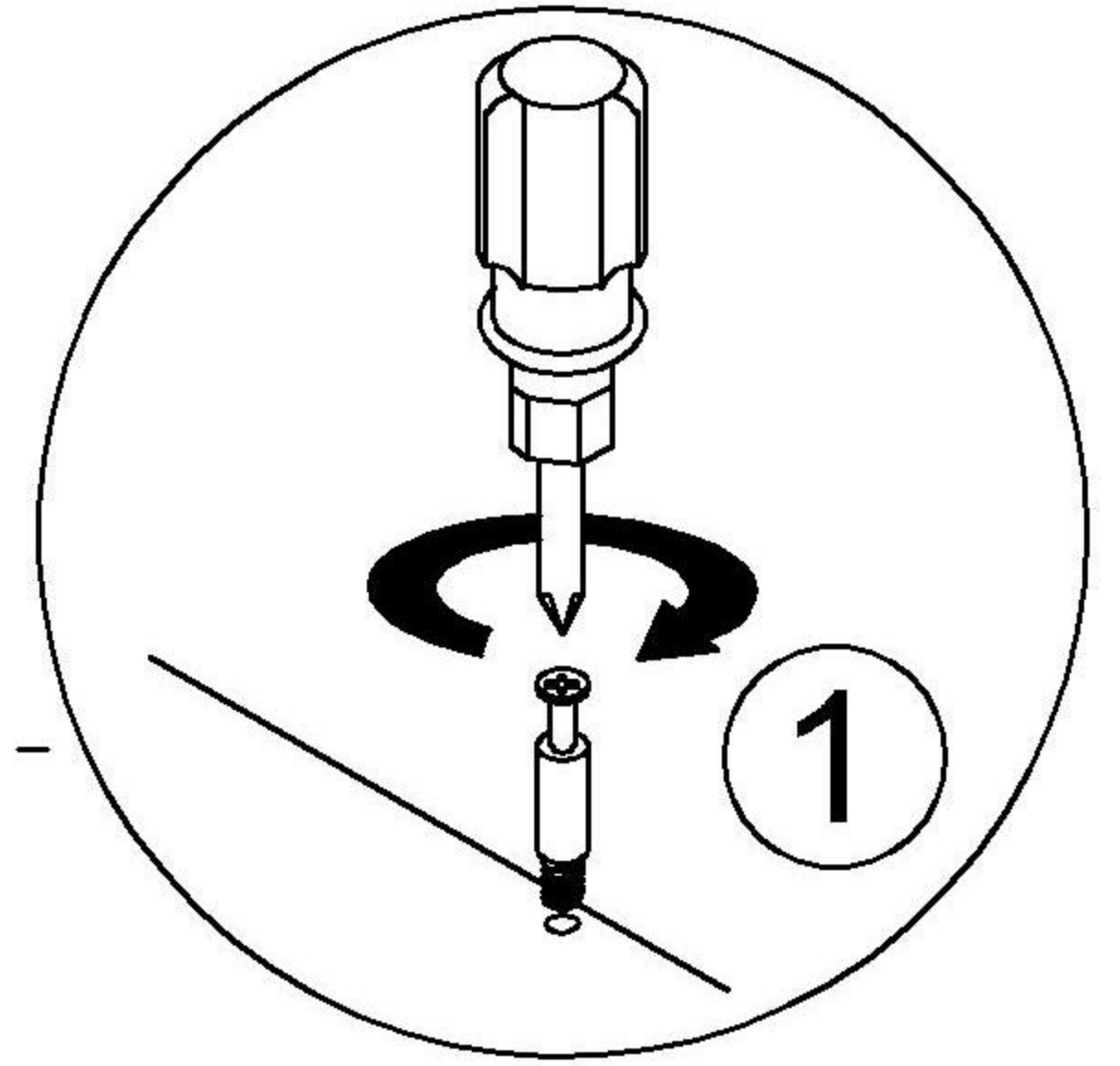
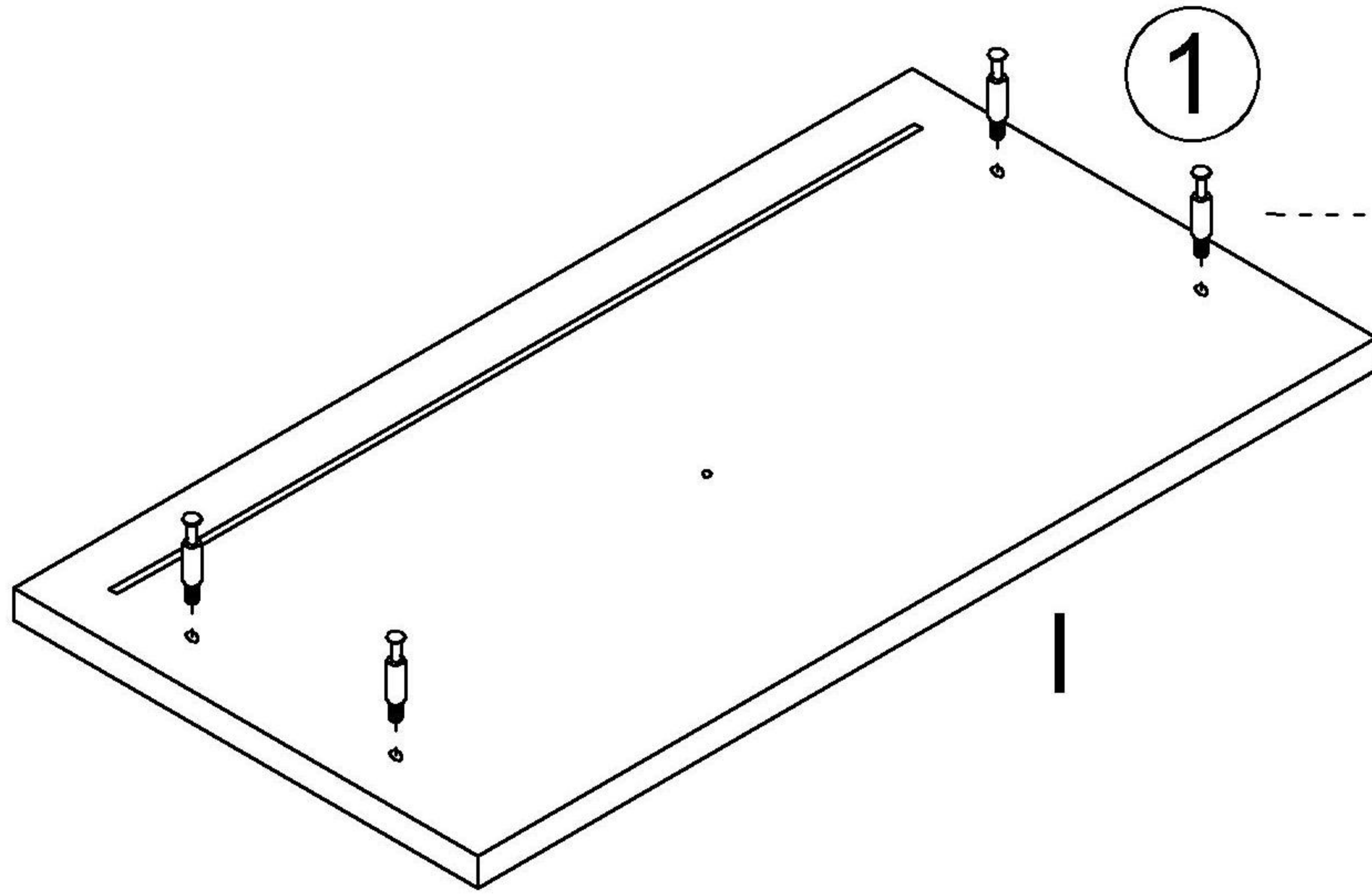
Step 9

x3

1

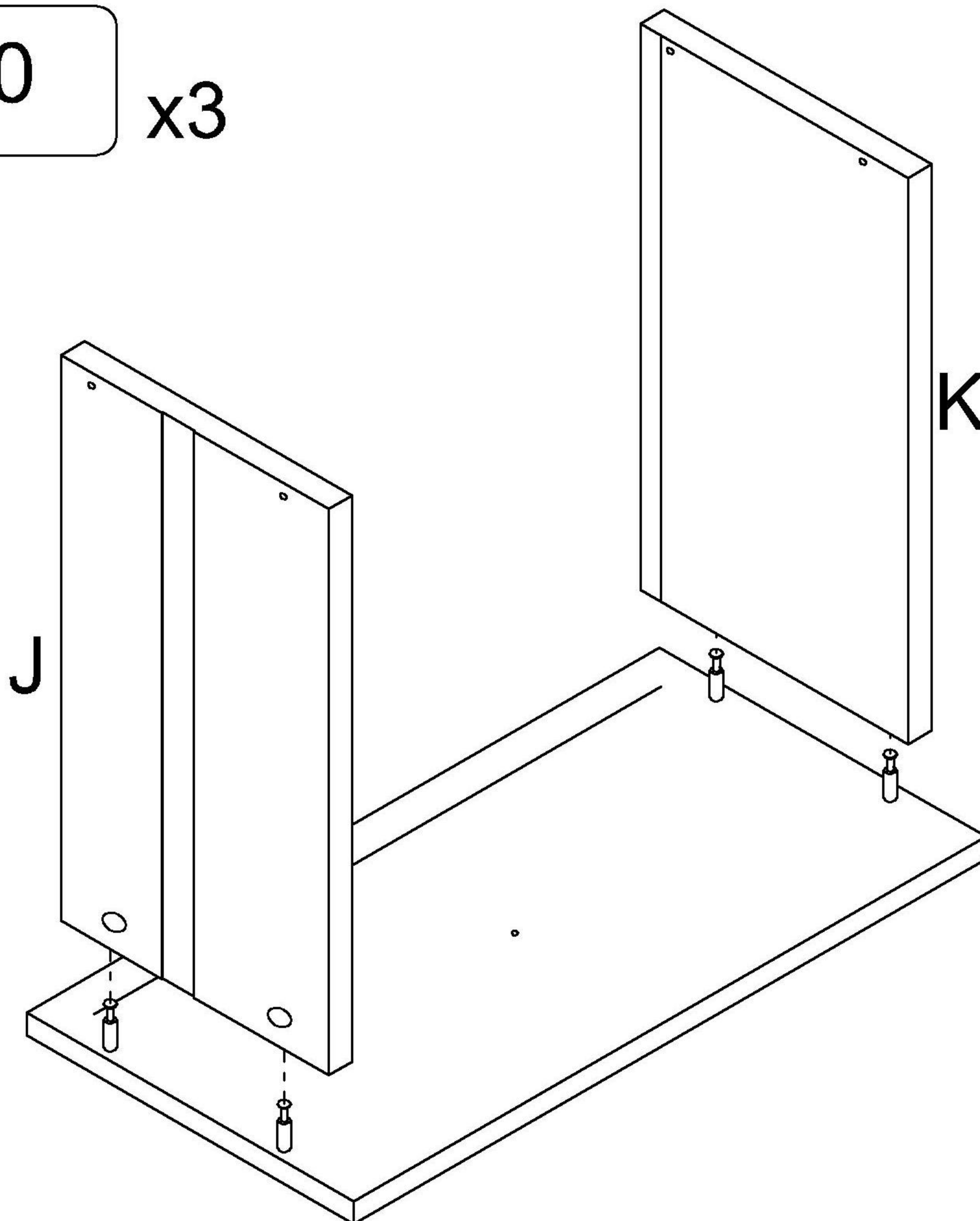


x 4



Step 10

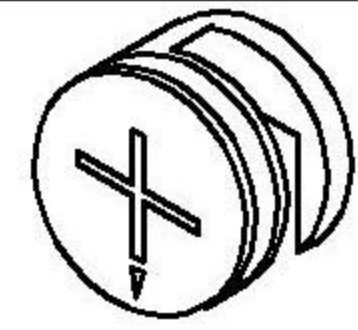
x3



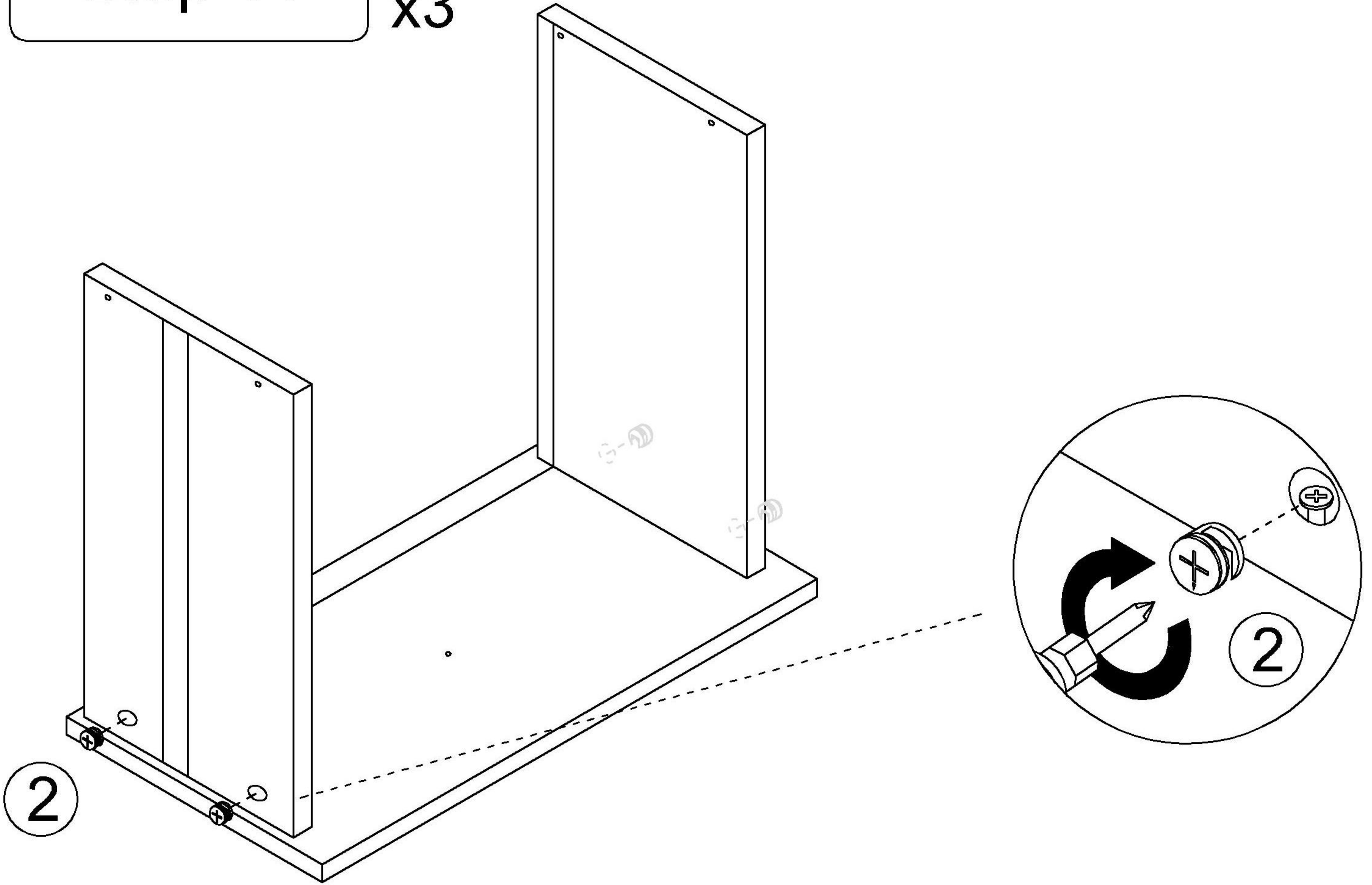
# Step 11

x3

2

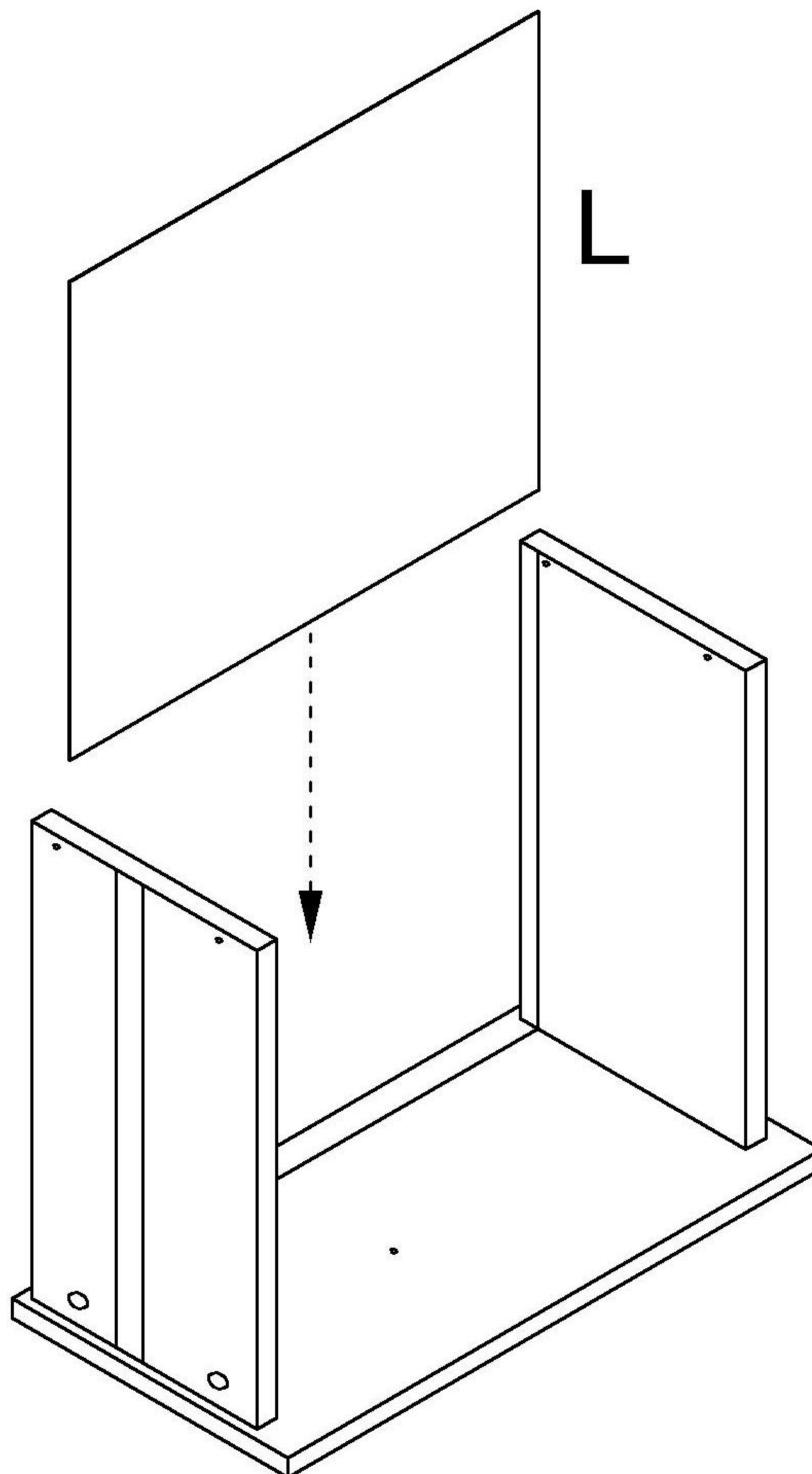


x4



# Step 12

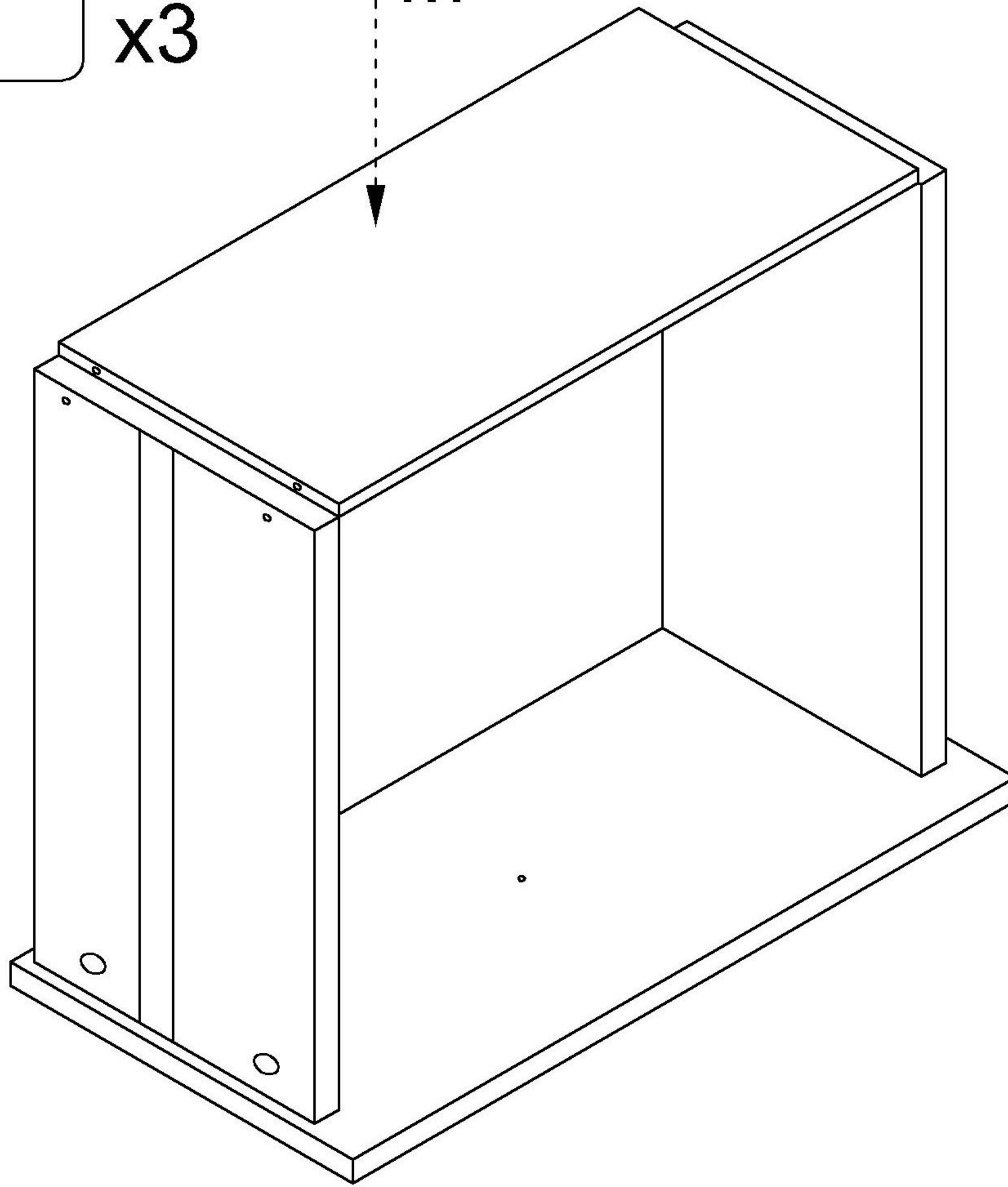
x3



Step 13

x3

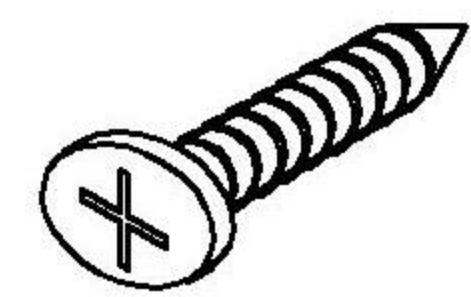
M



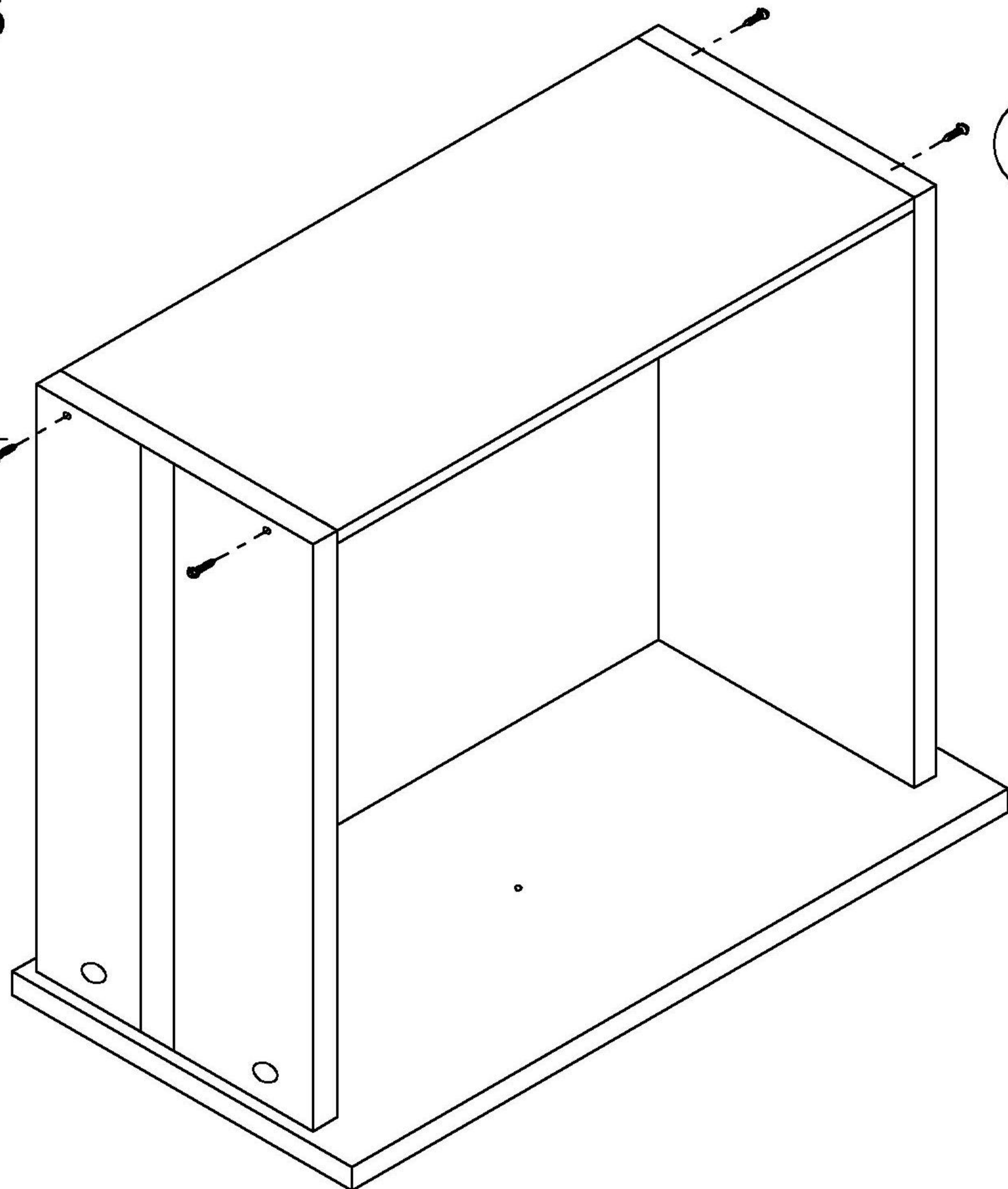
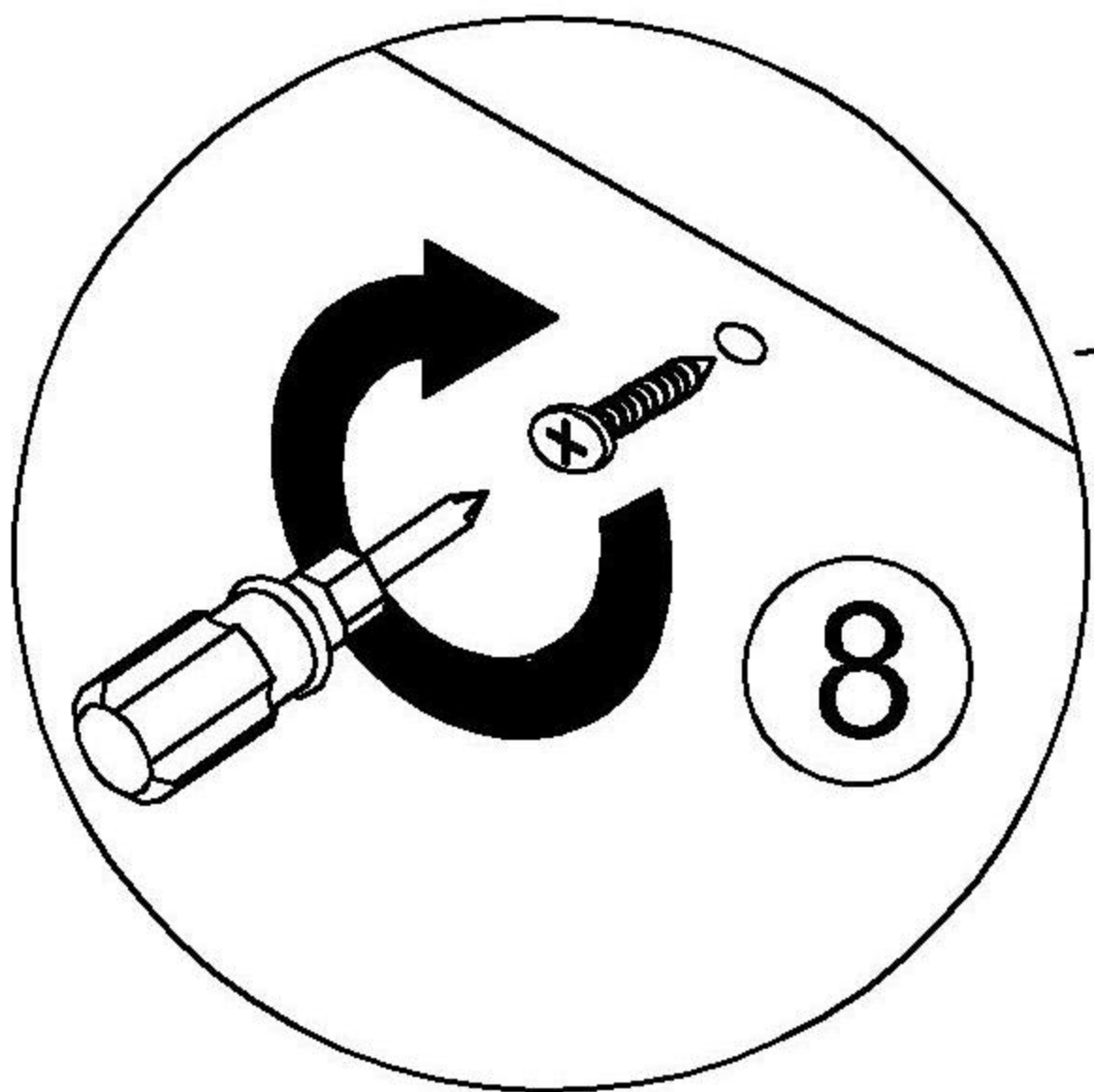
Step 14

x3

8



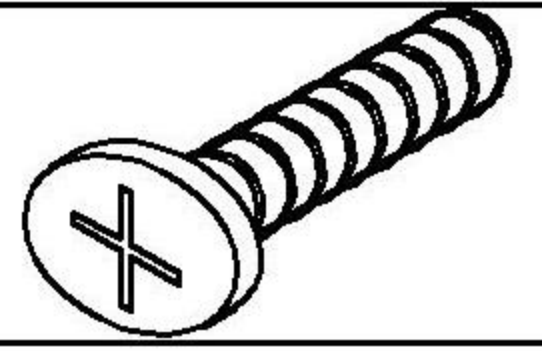
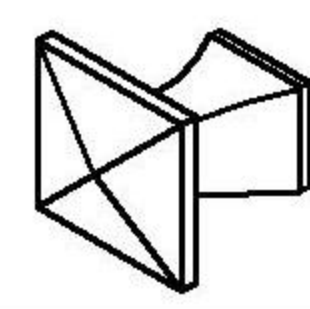
x 4



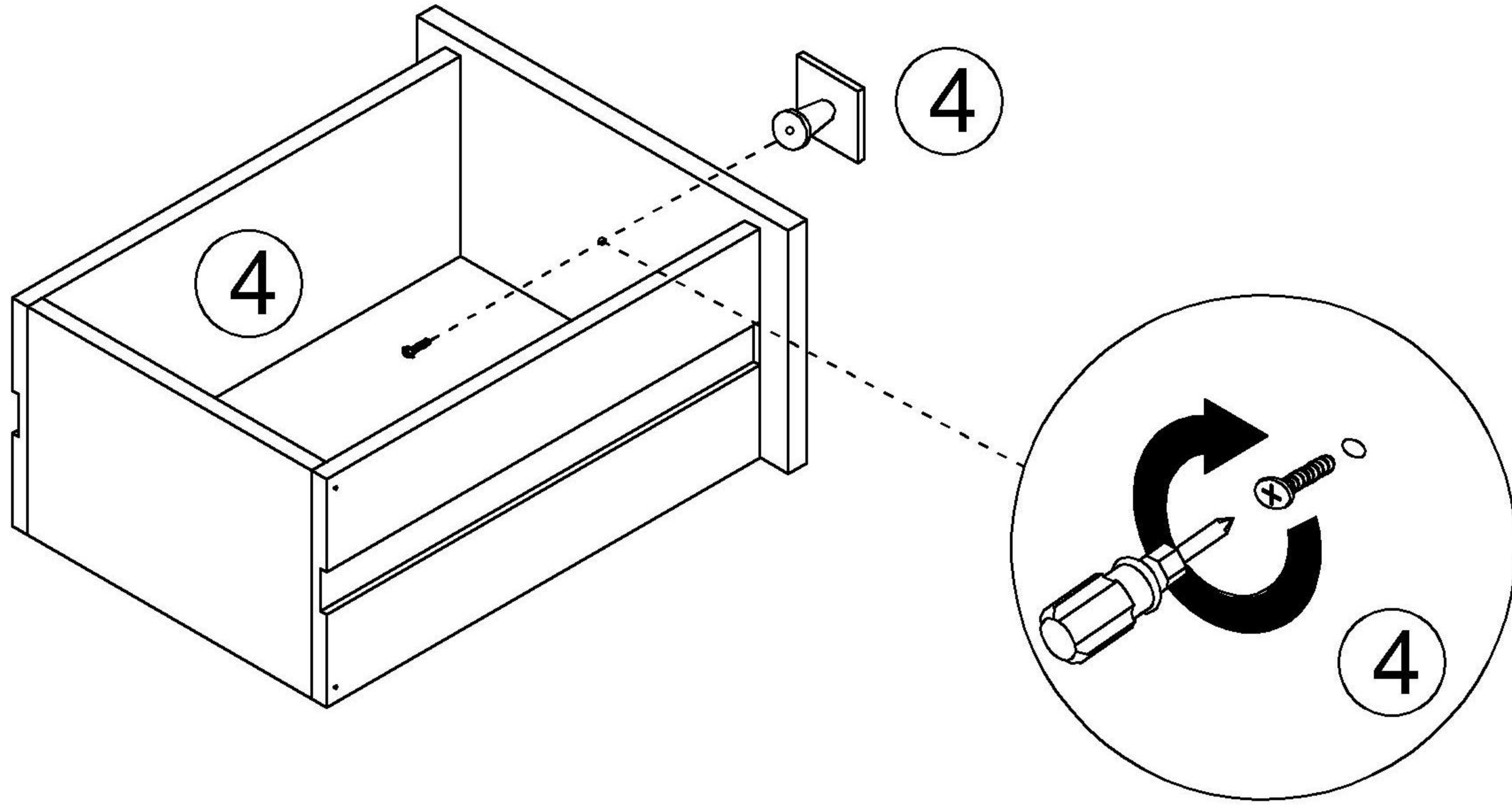
# Step 15

x3

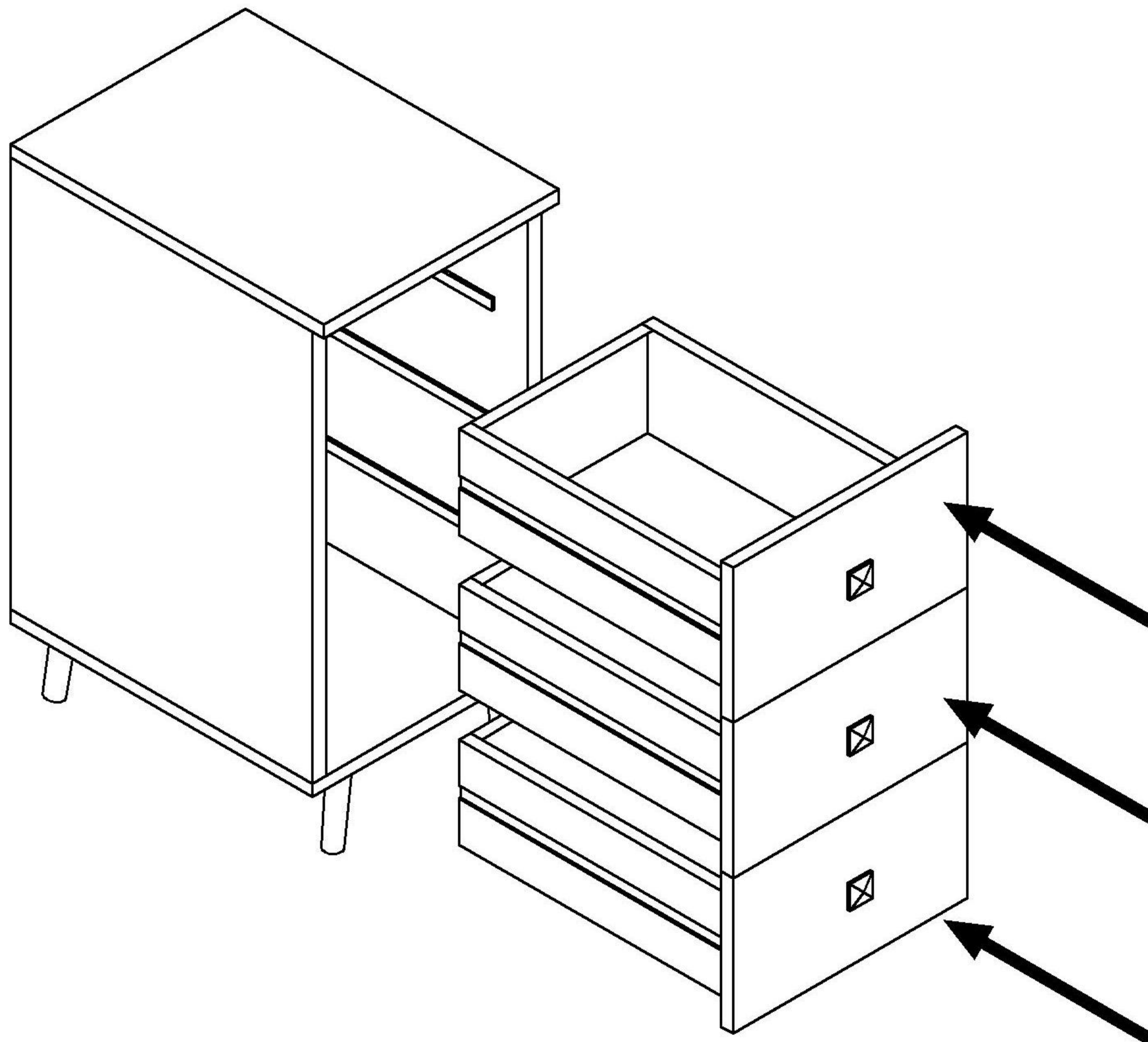
4



x 1

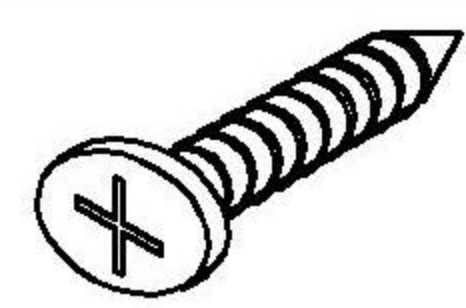


# Step 16

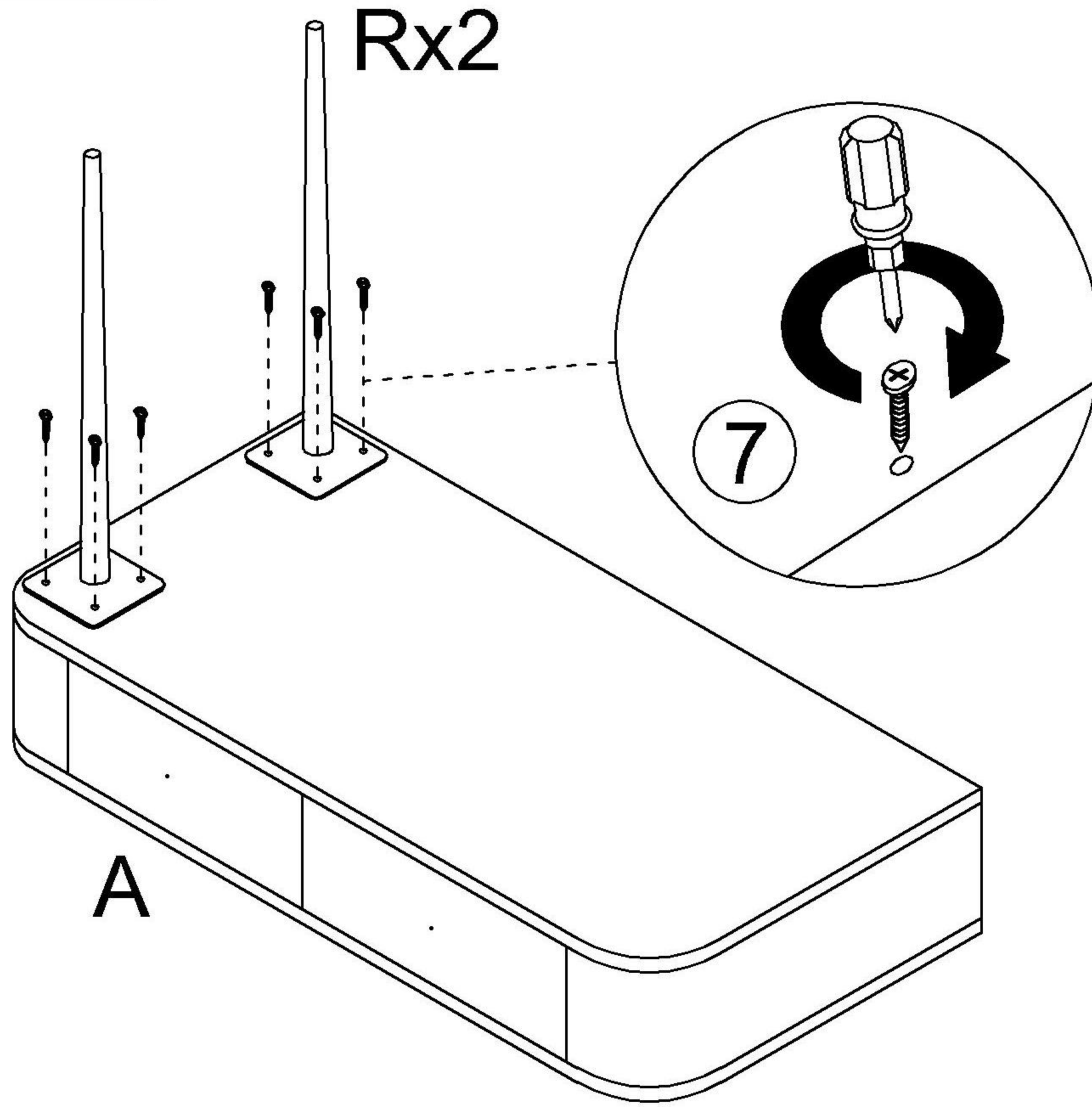


# Step 17

7

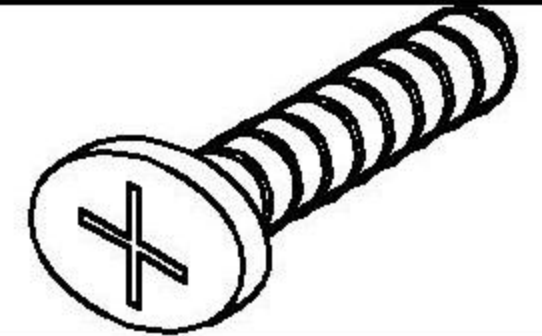
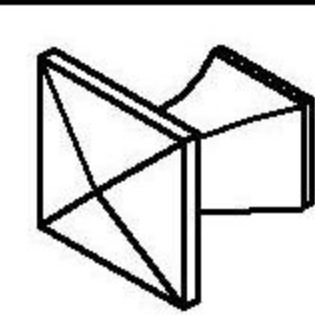


x 8

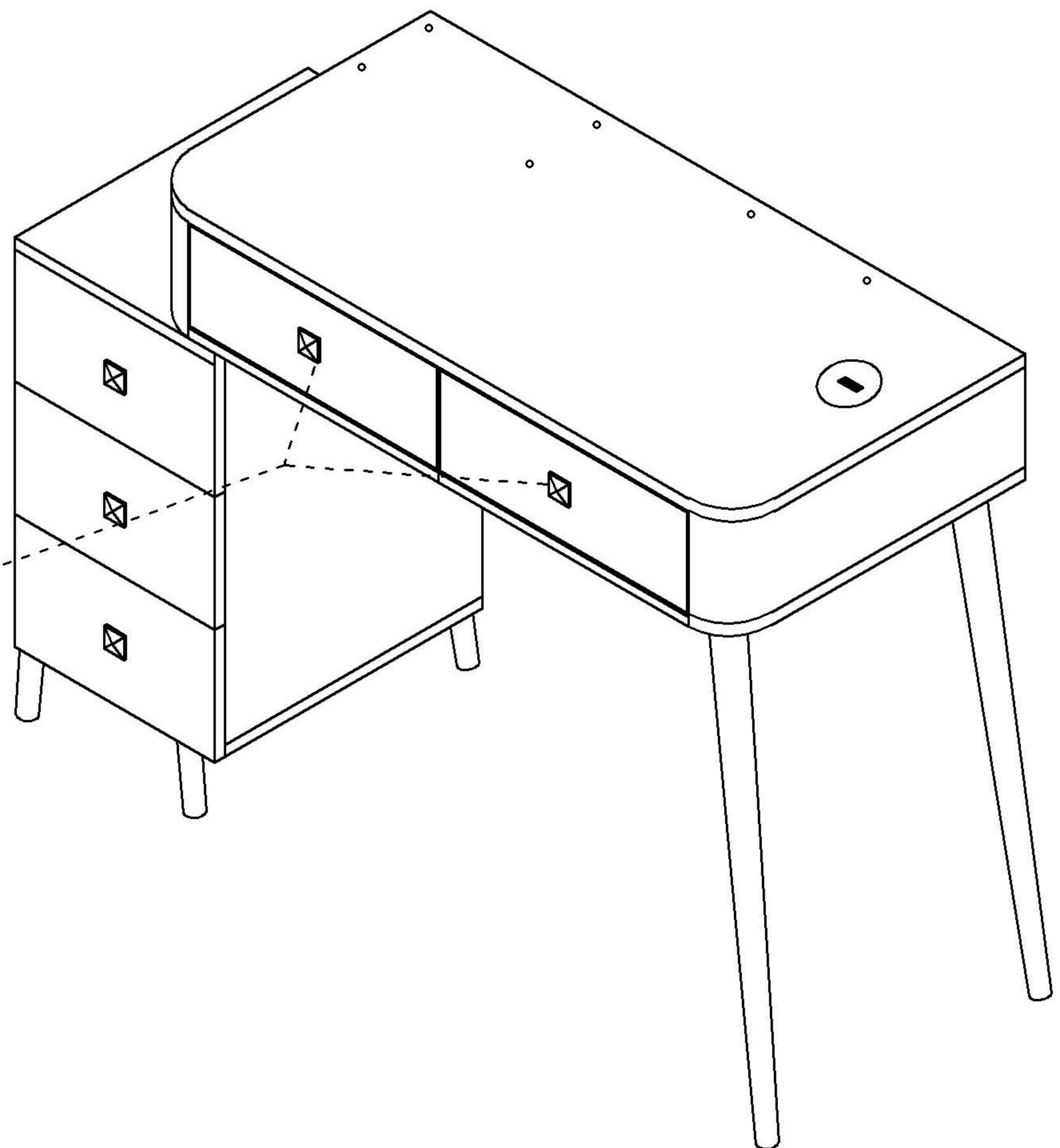
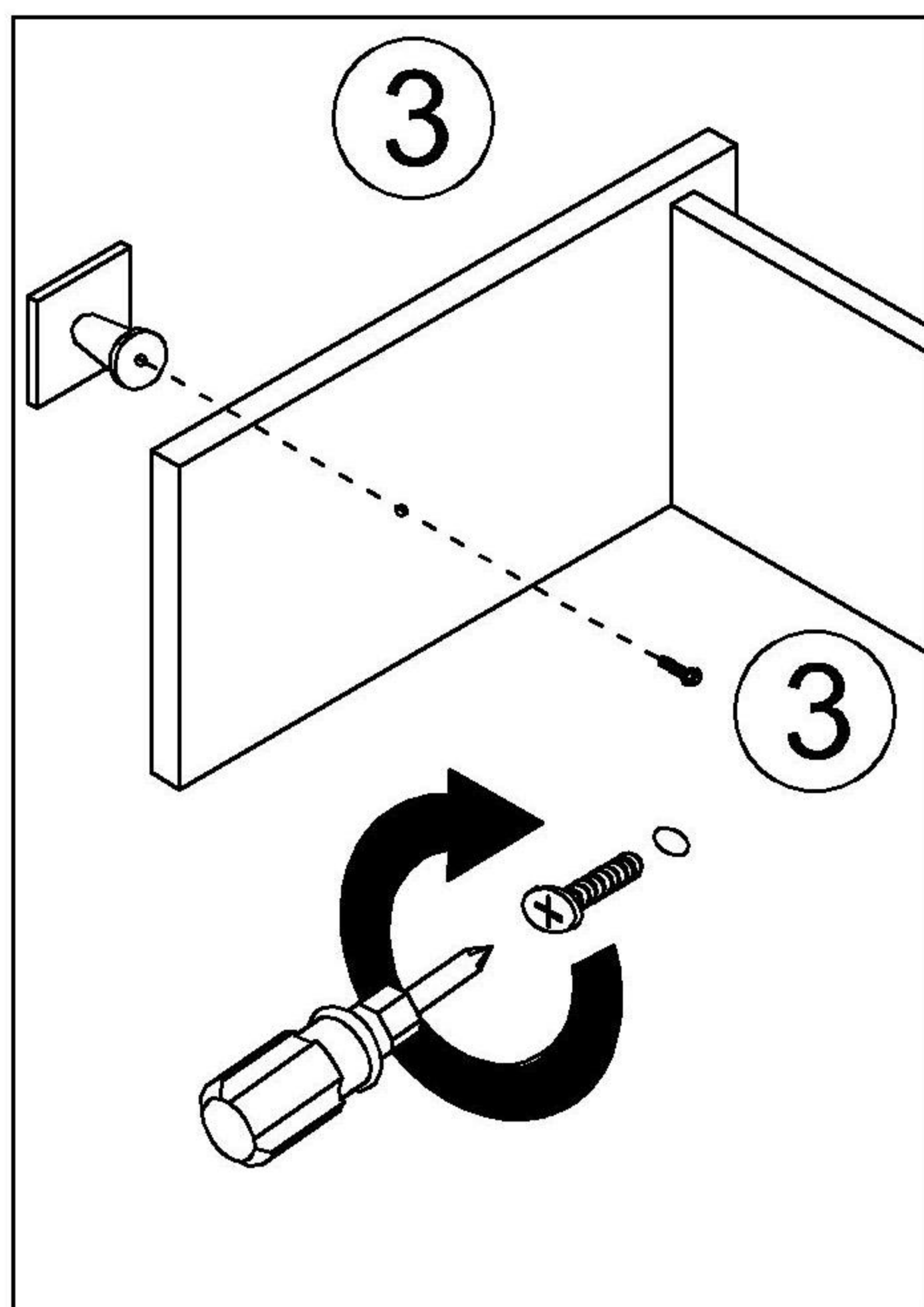


# Step 18

3

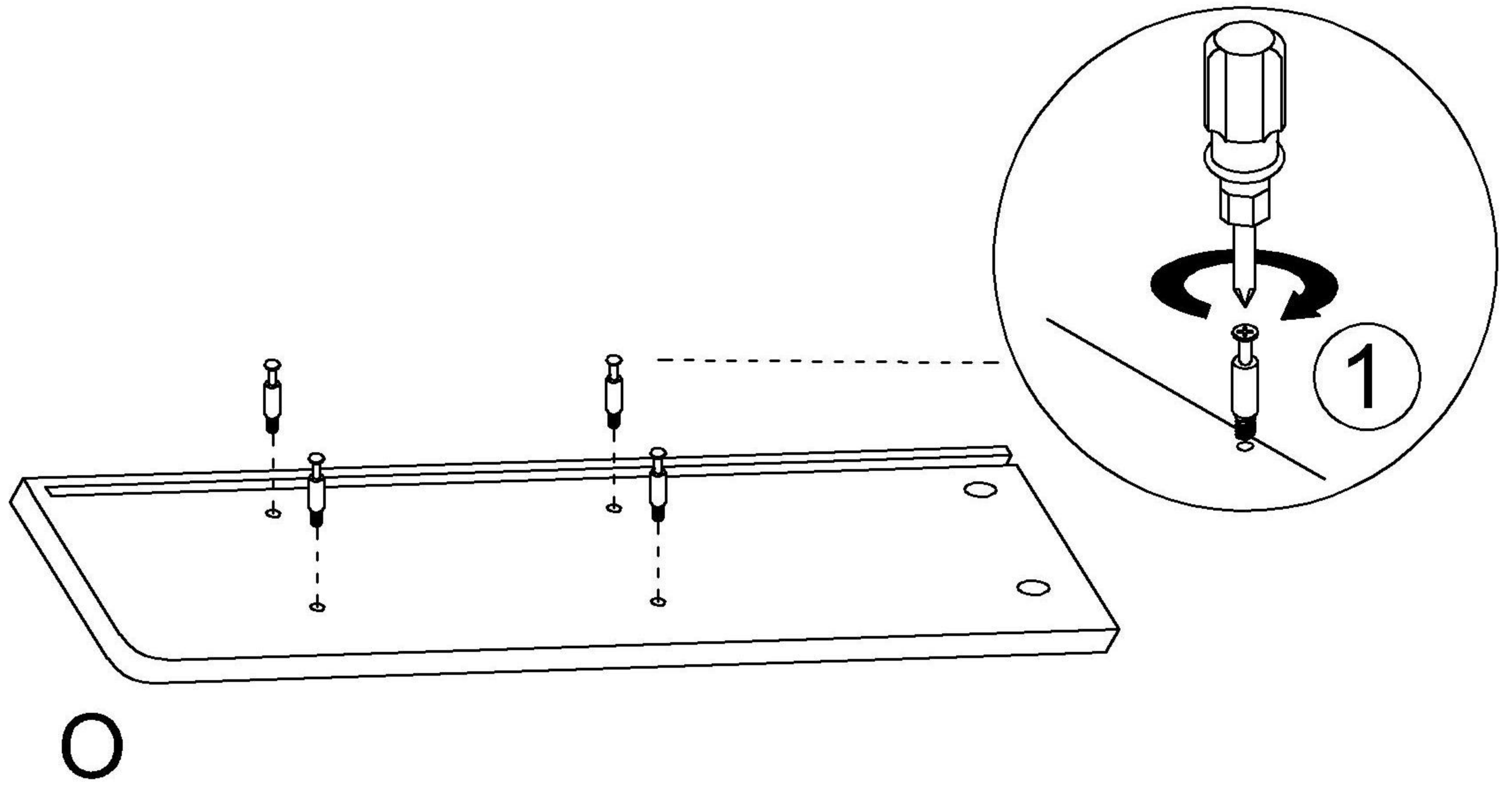


x 2



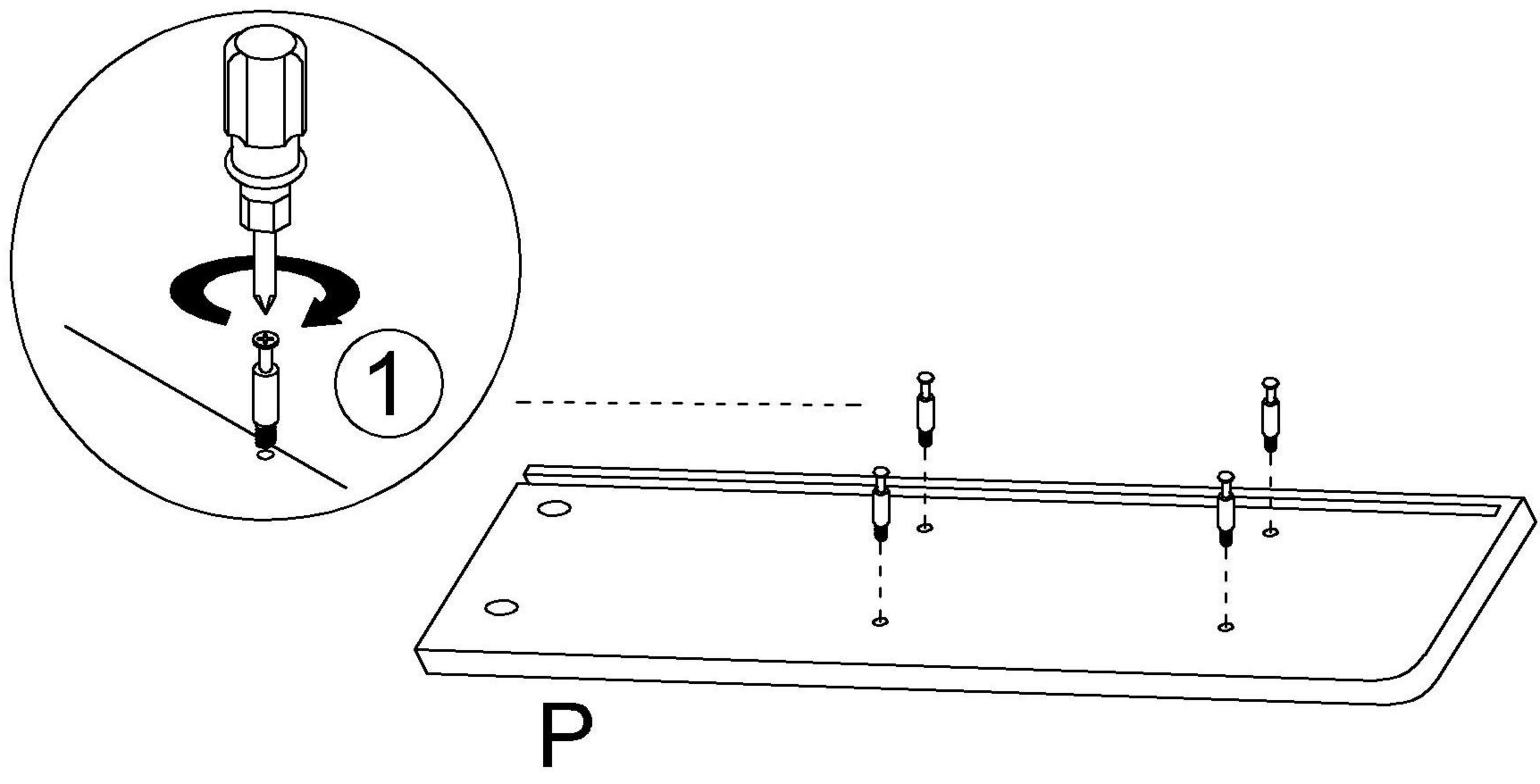
# Step 19

1 x 4

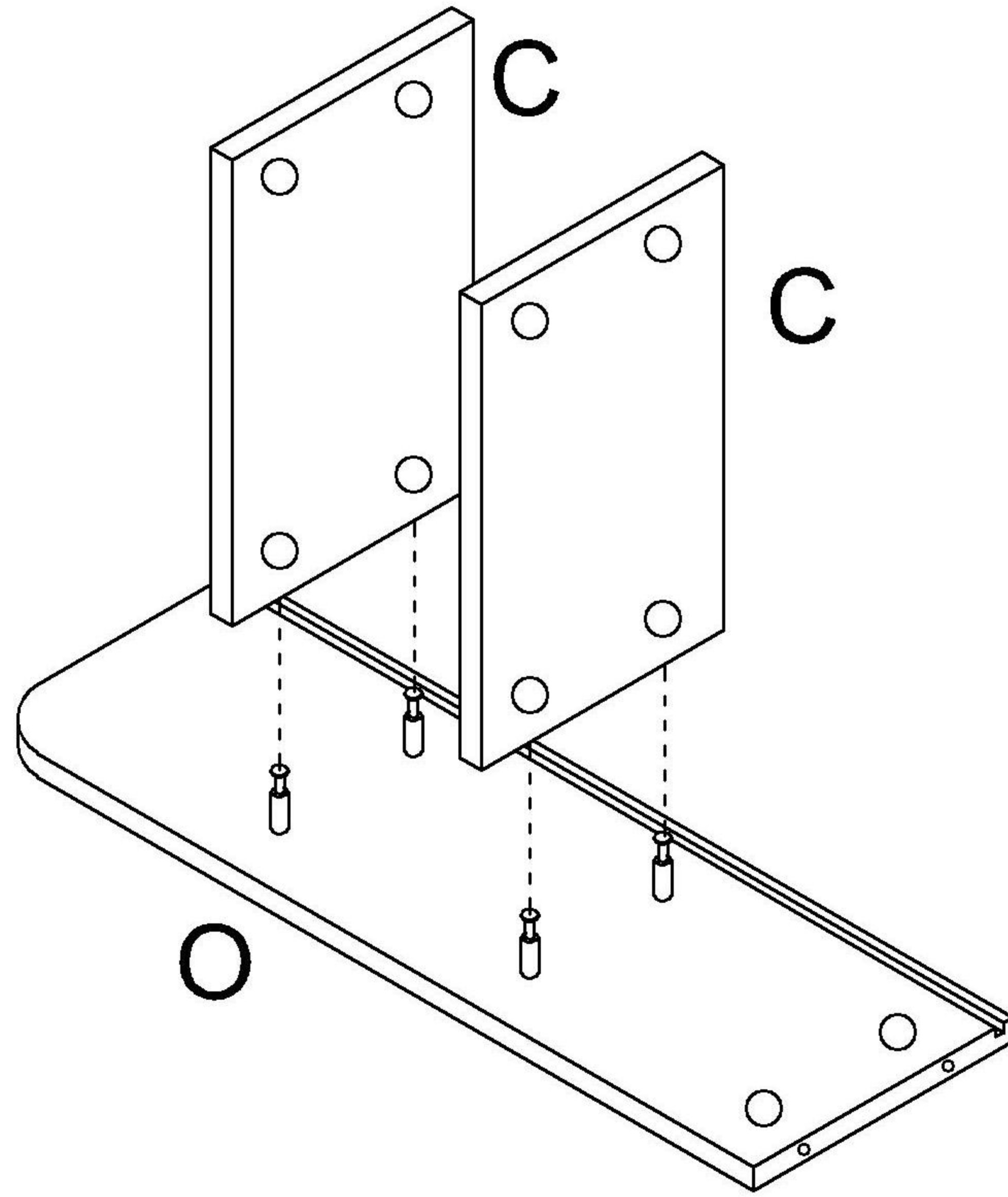


# Step 20


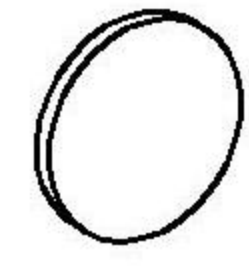
1 x 4

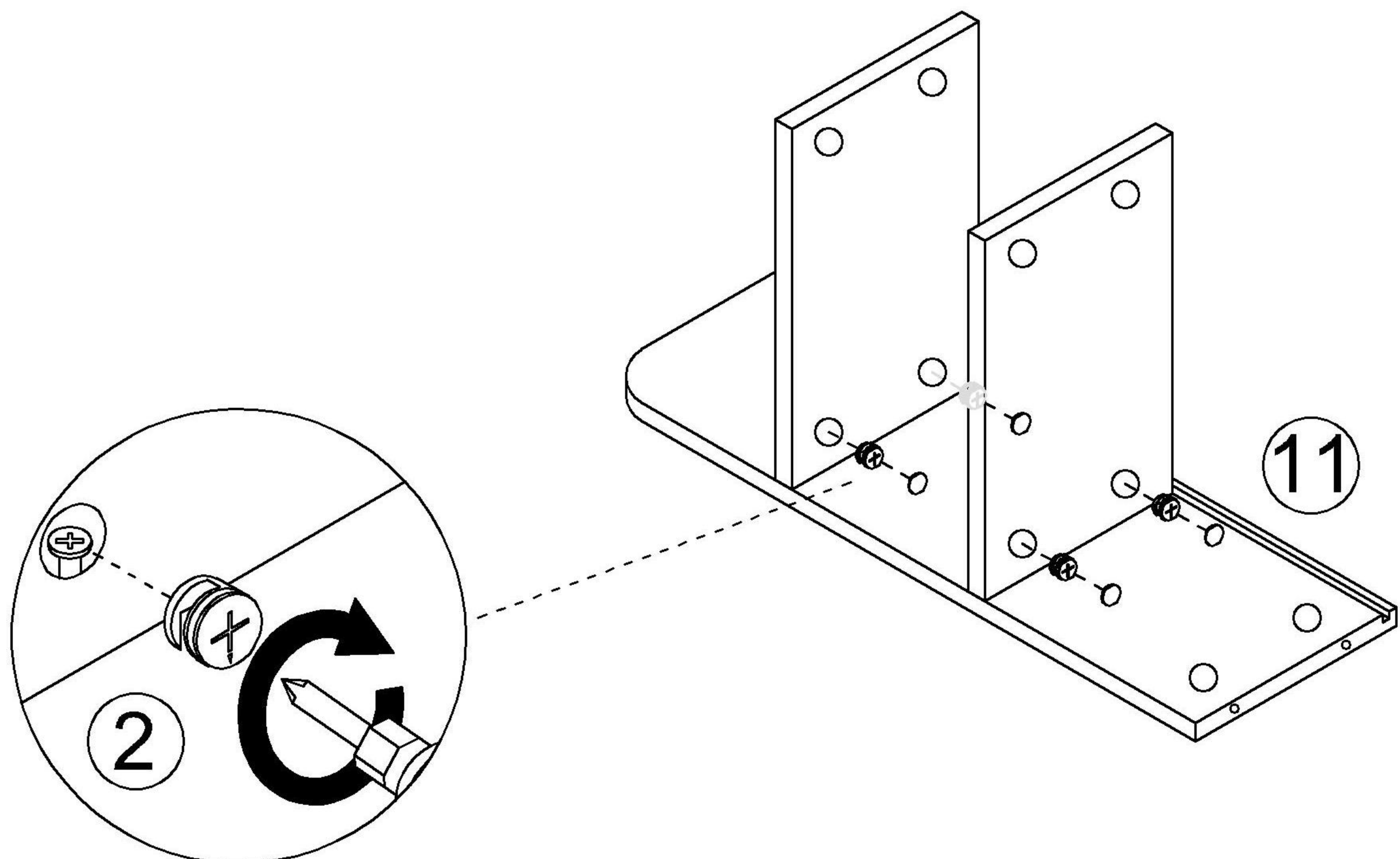


# Step 21



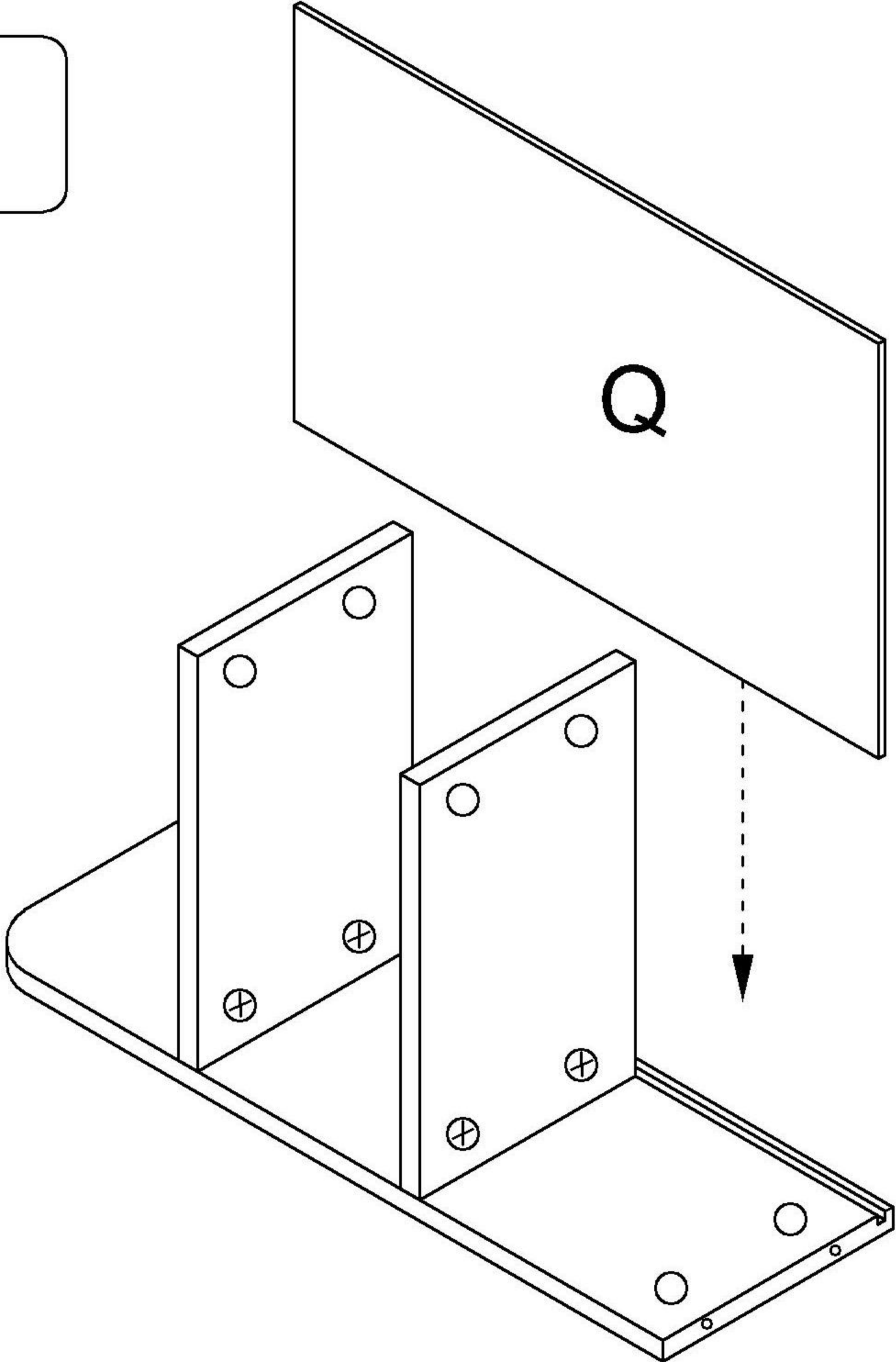
# Step 22

2		x 4
11		x 4

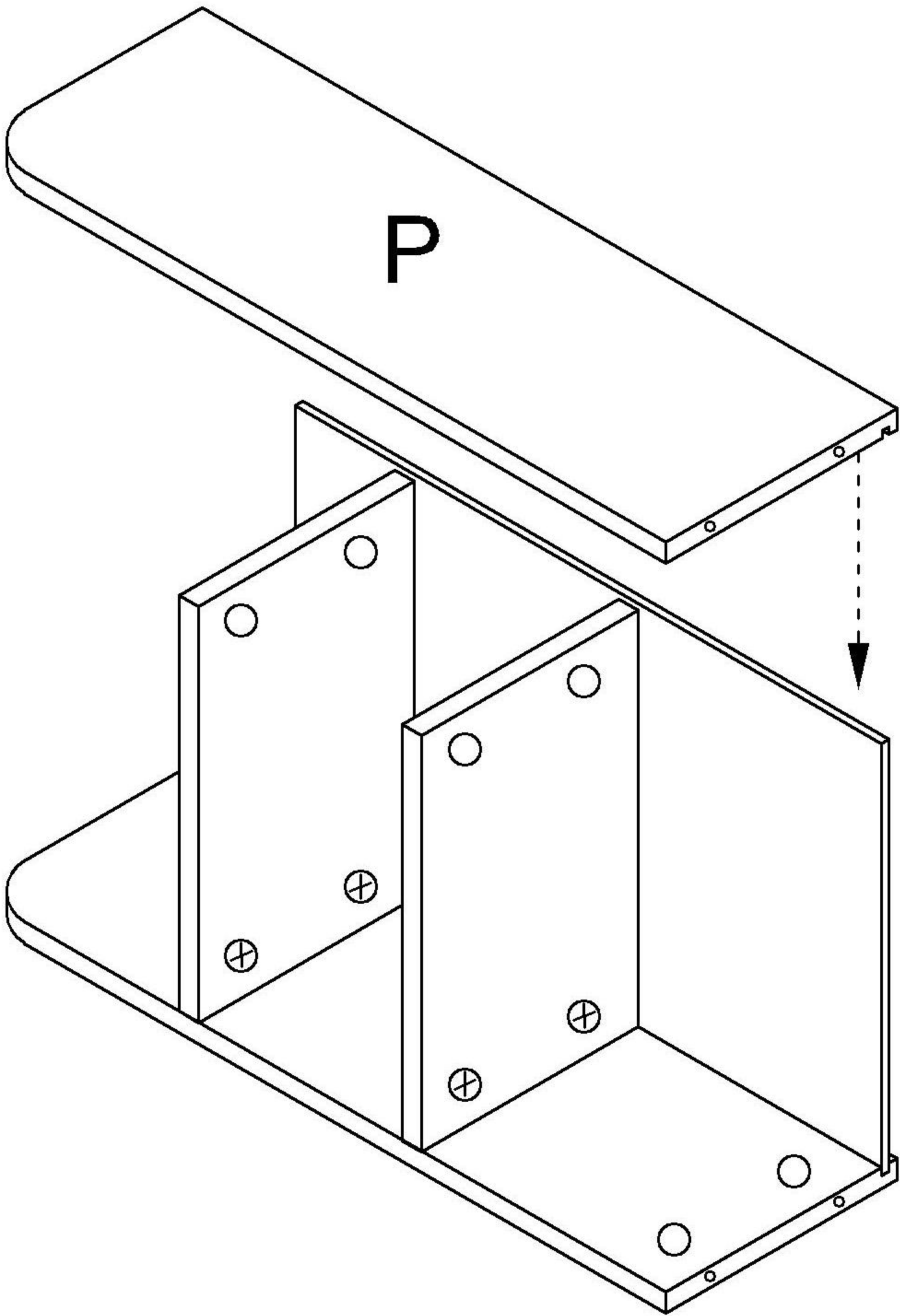


Attach attachment ⑪ to the outside after installing the screws

Step 23



Step 24



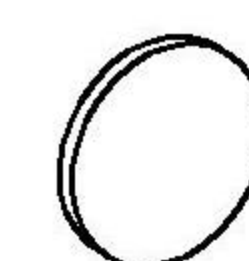
# Step 25

2

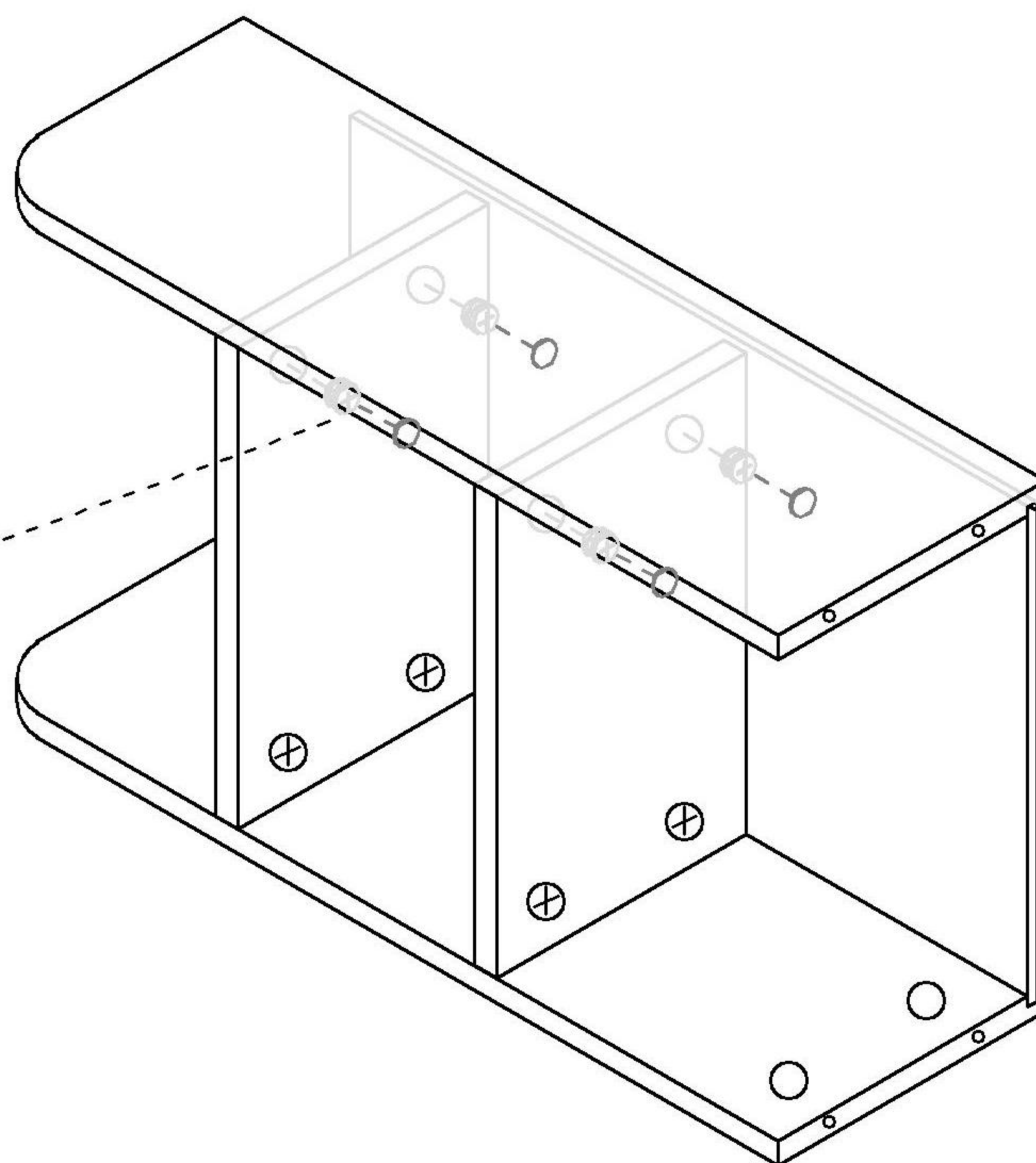
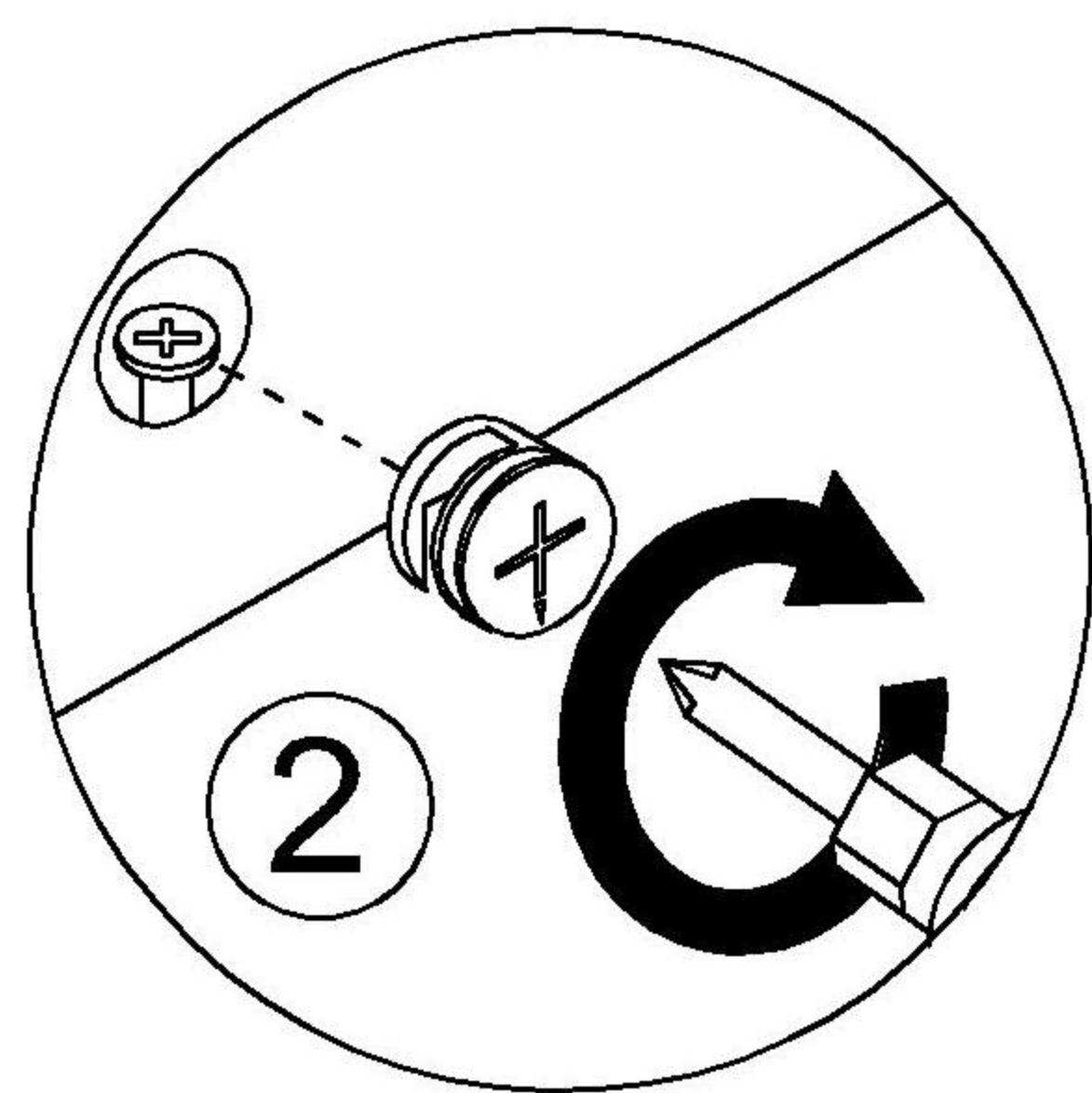


x 4

11



x 4



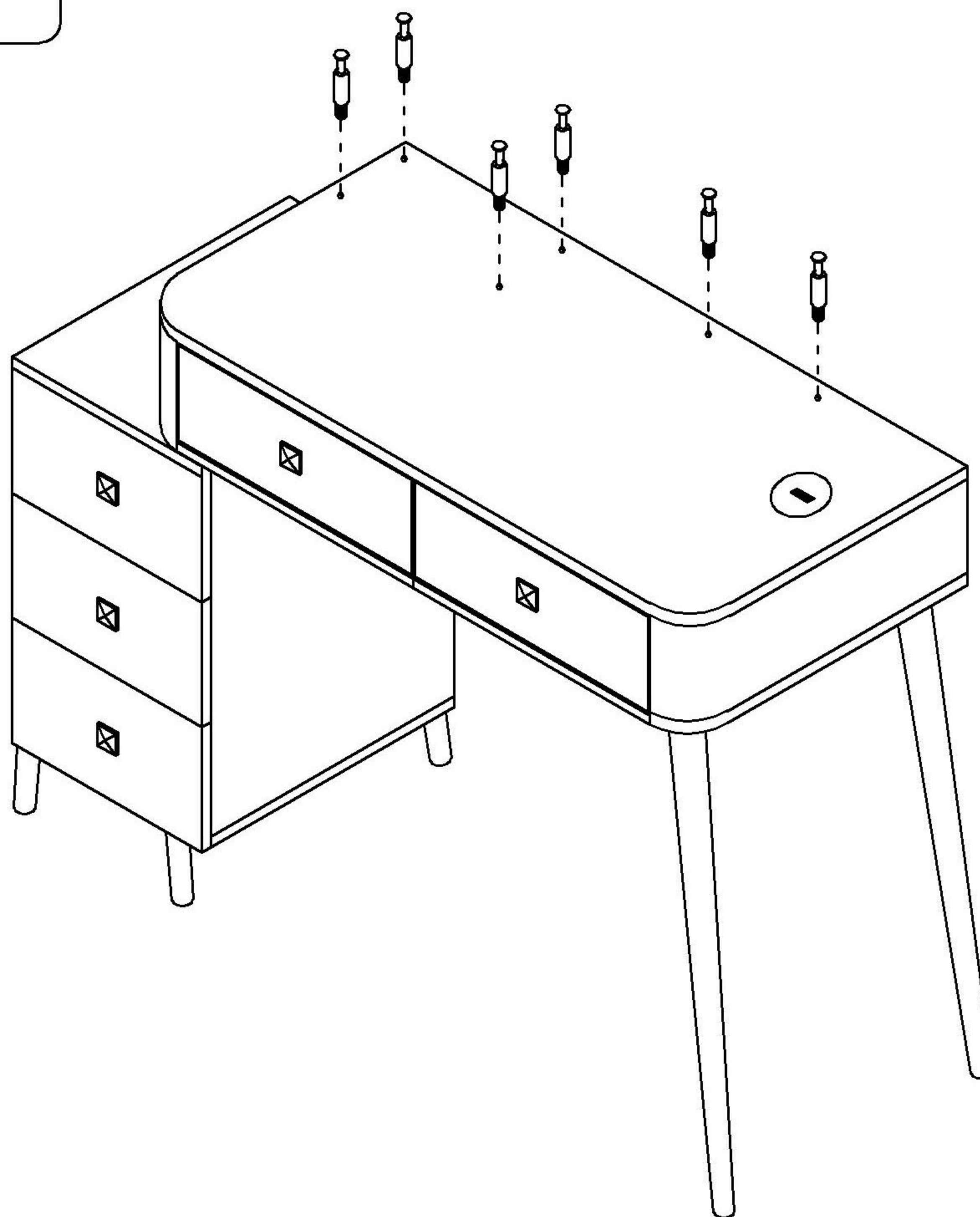
Attach attachment ⑪ to the outside after installing the screws

# Step 26

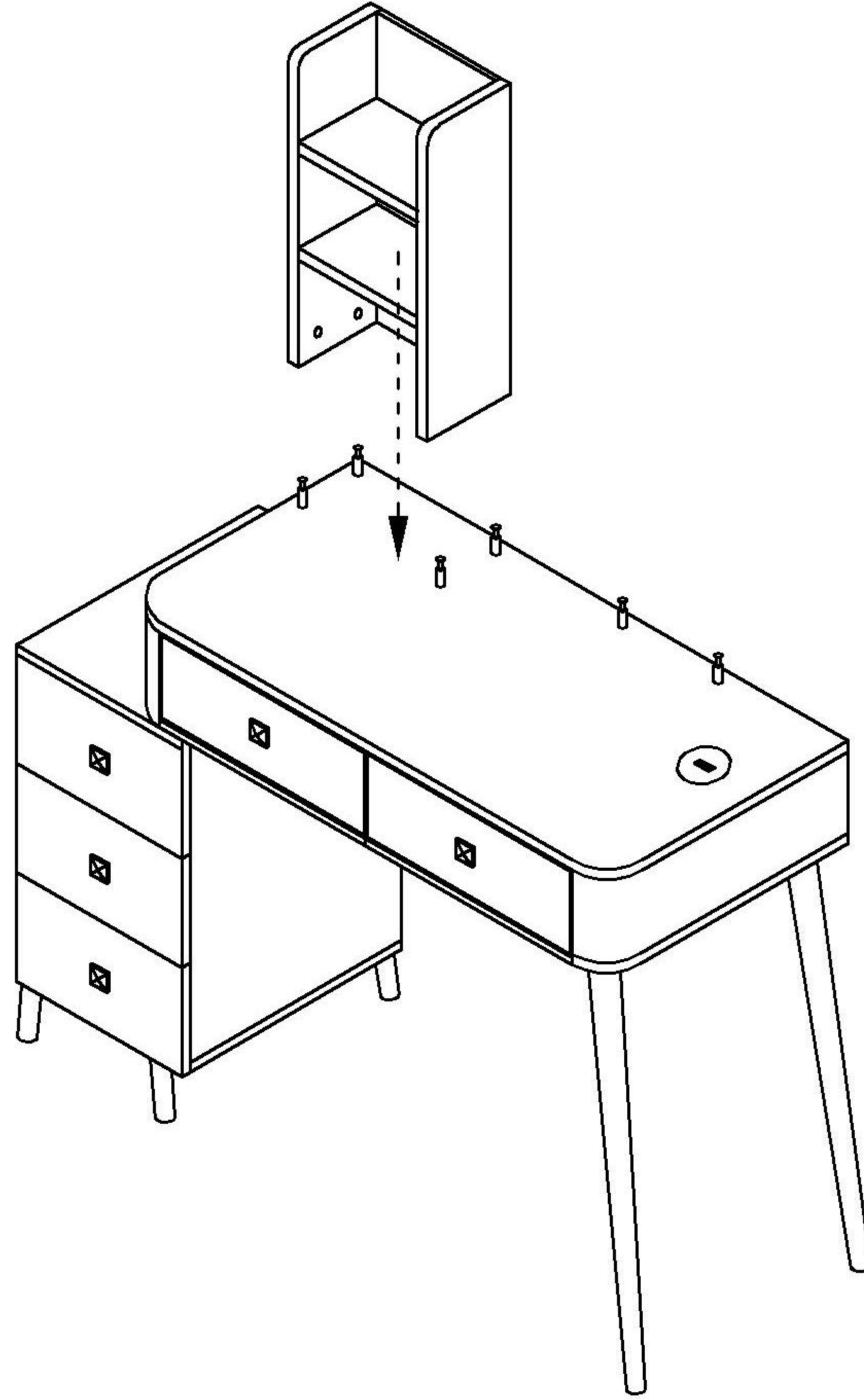
1



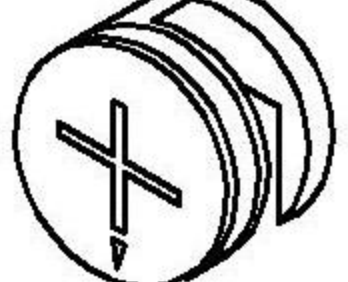
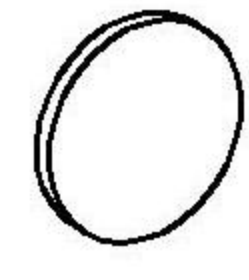
x 6

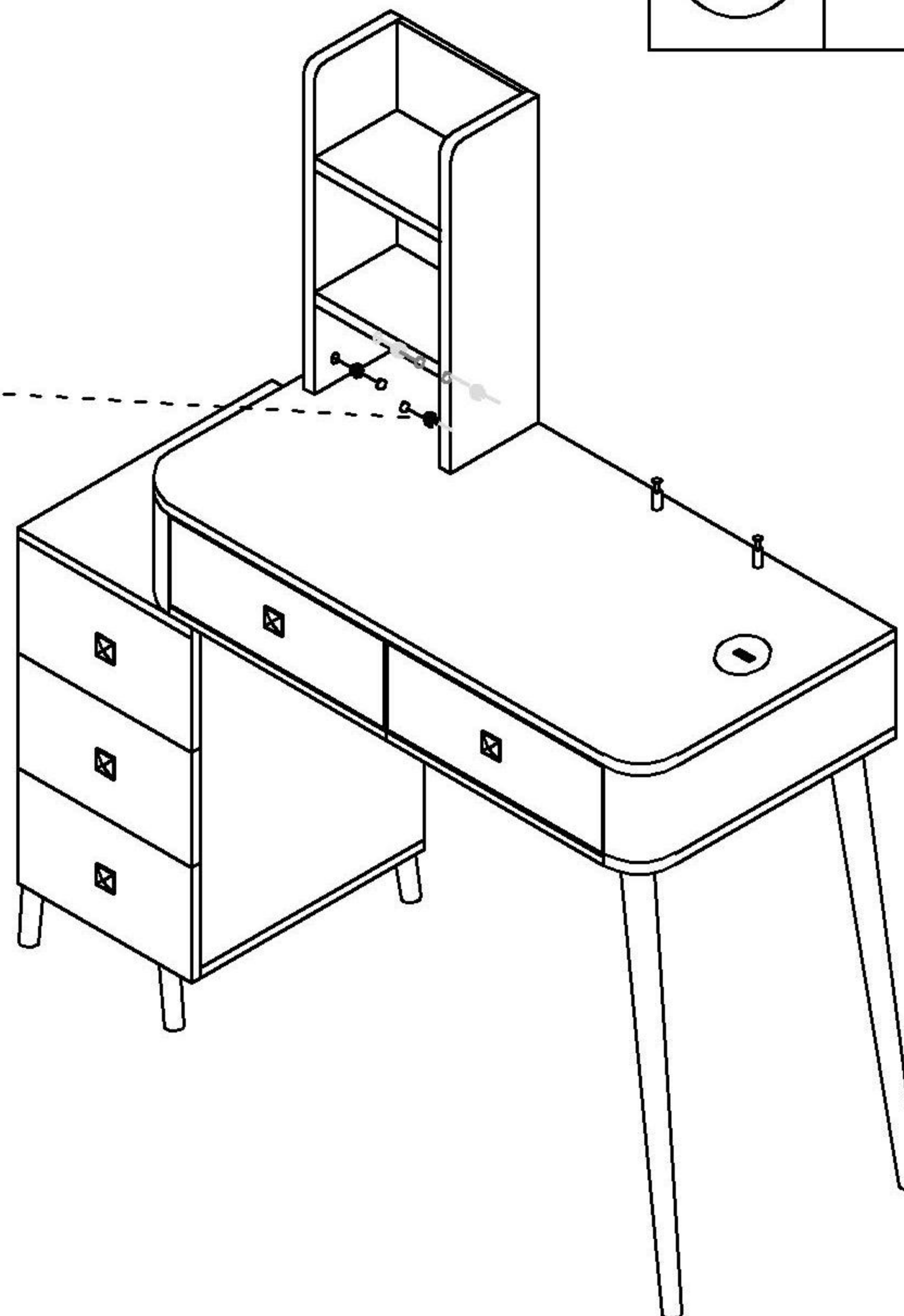
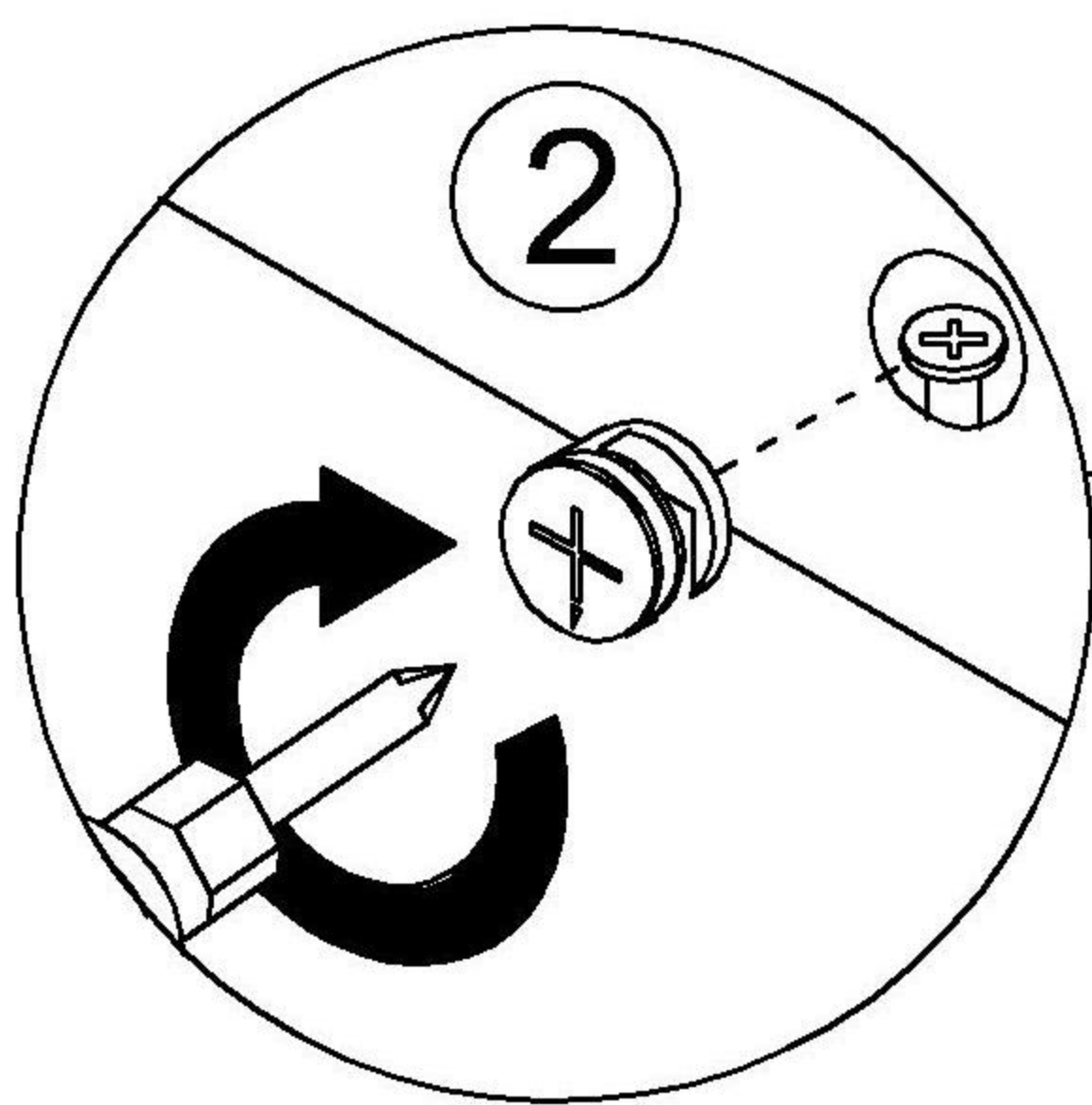


# Step 27



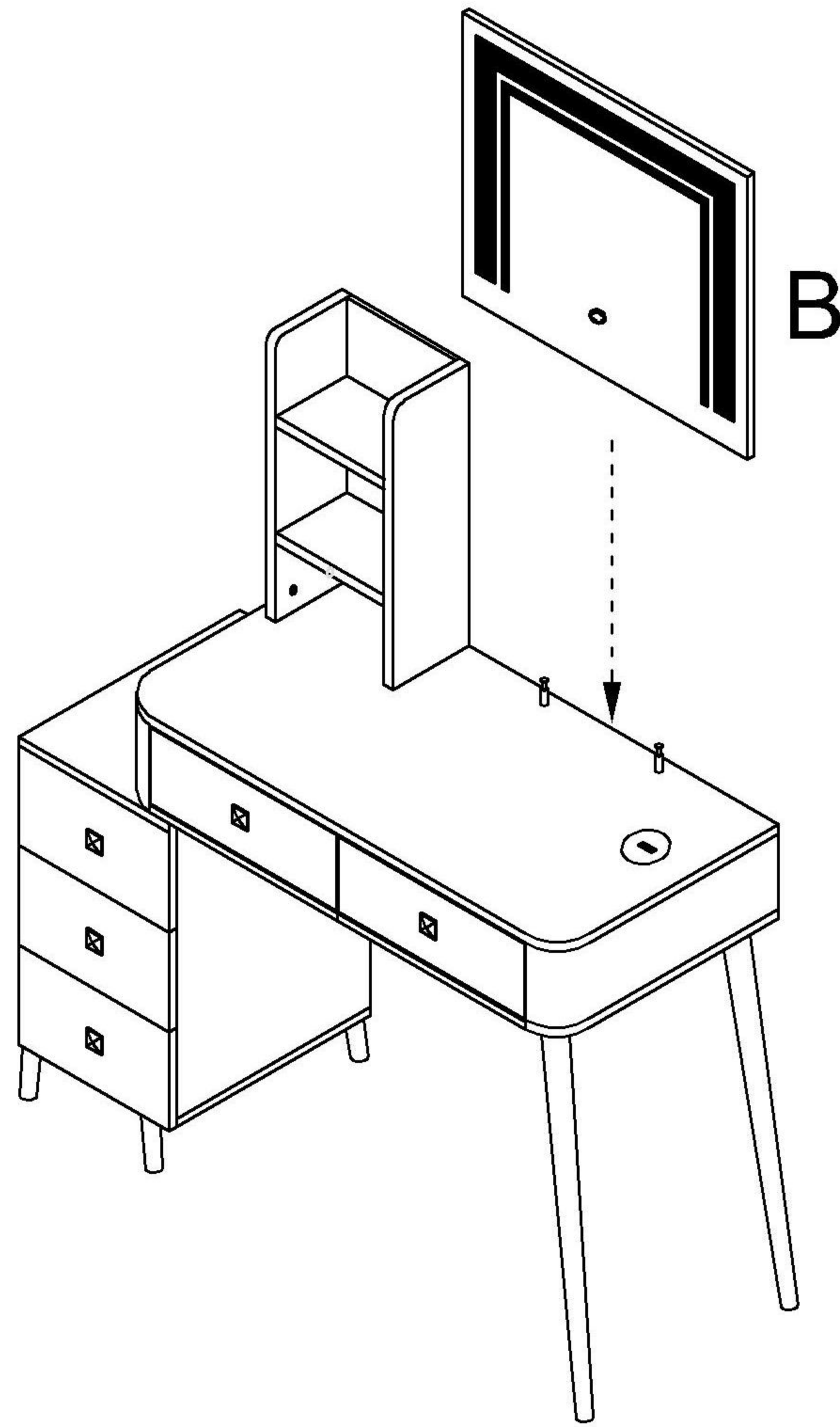
# Step 28

2		x 4
11		x 4



Attach attachment ⑪ to the outside after installing the screws

# Step 29

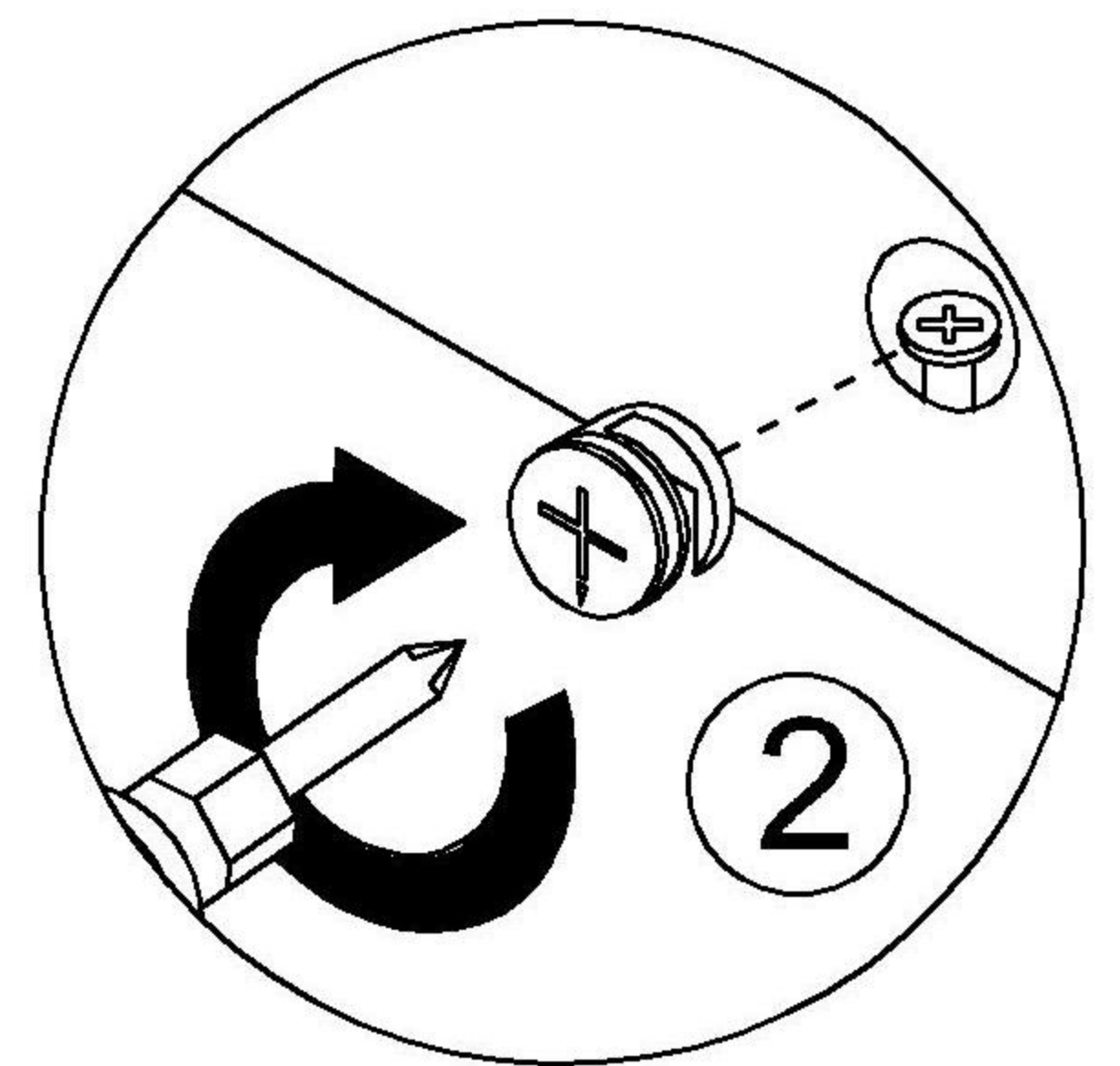
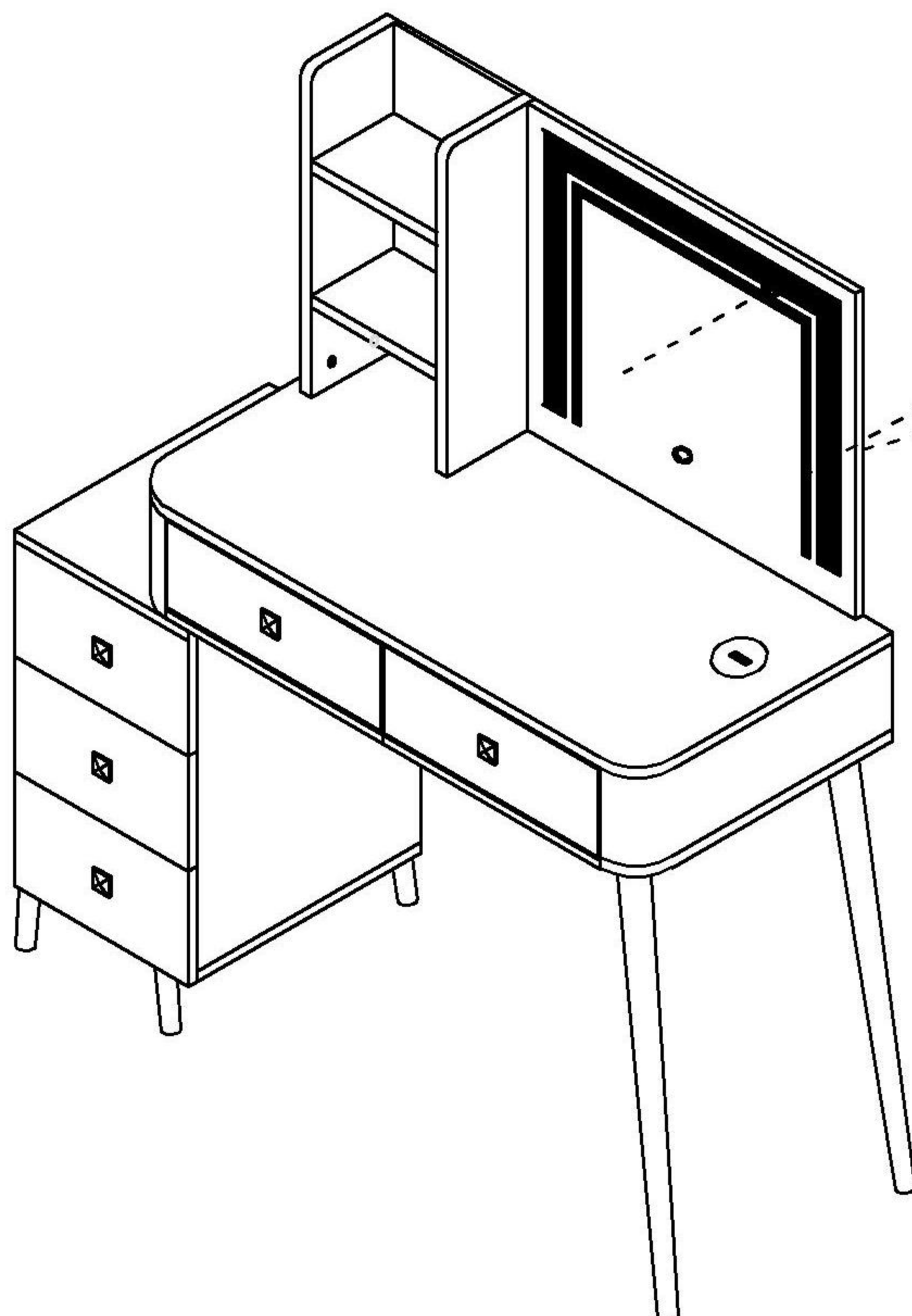


# Step 30

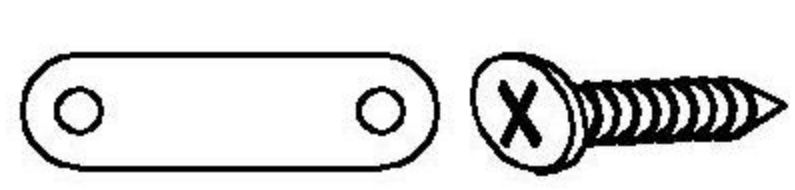
2

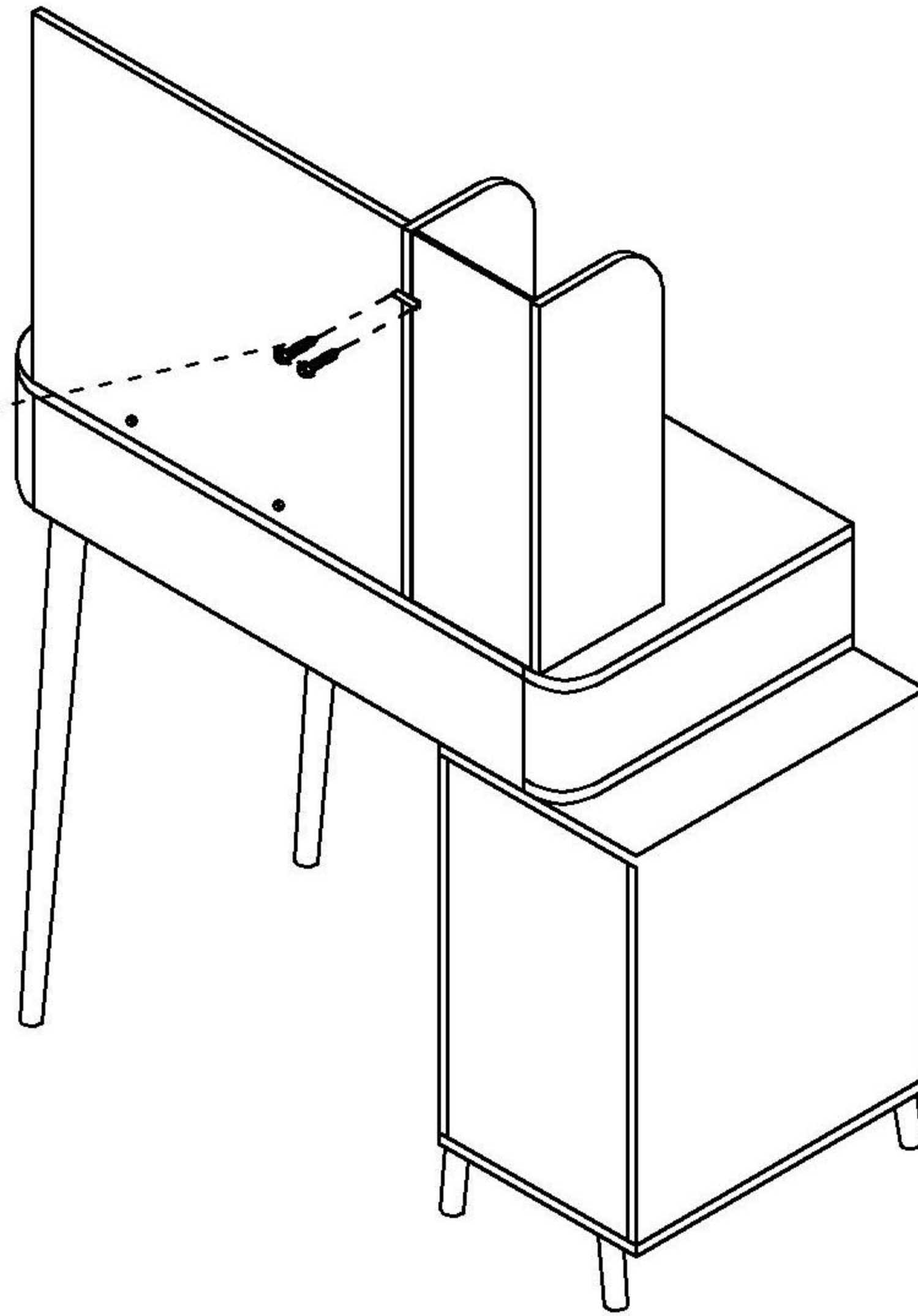
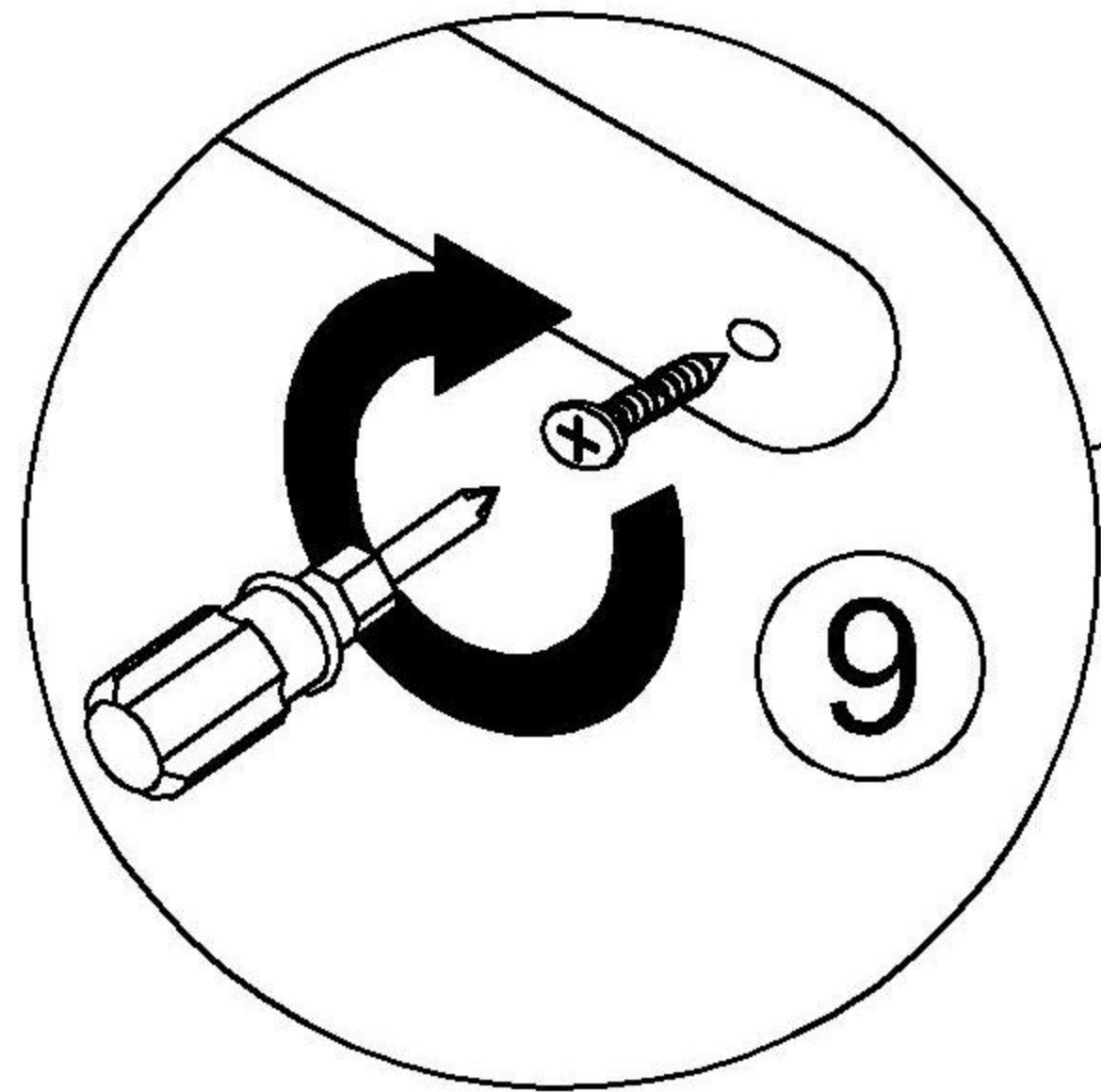


x 2

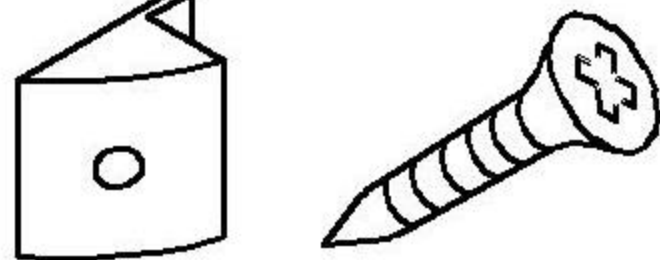


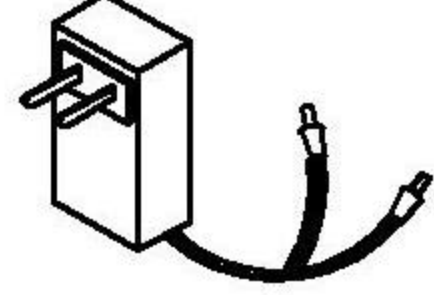
# Step 31

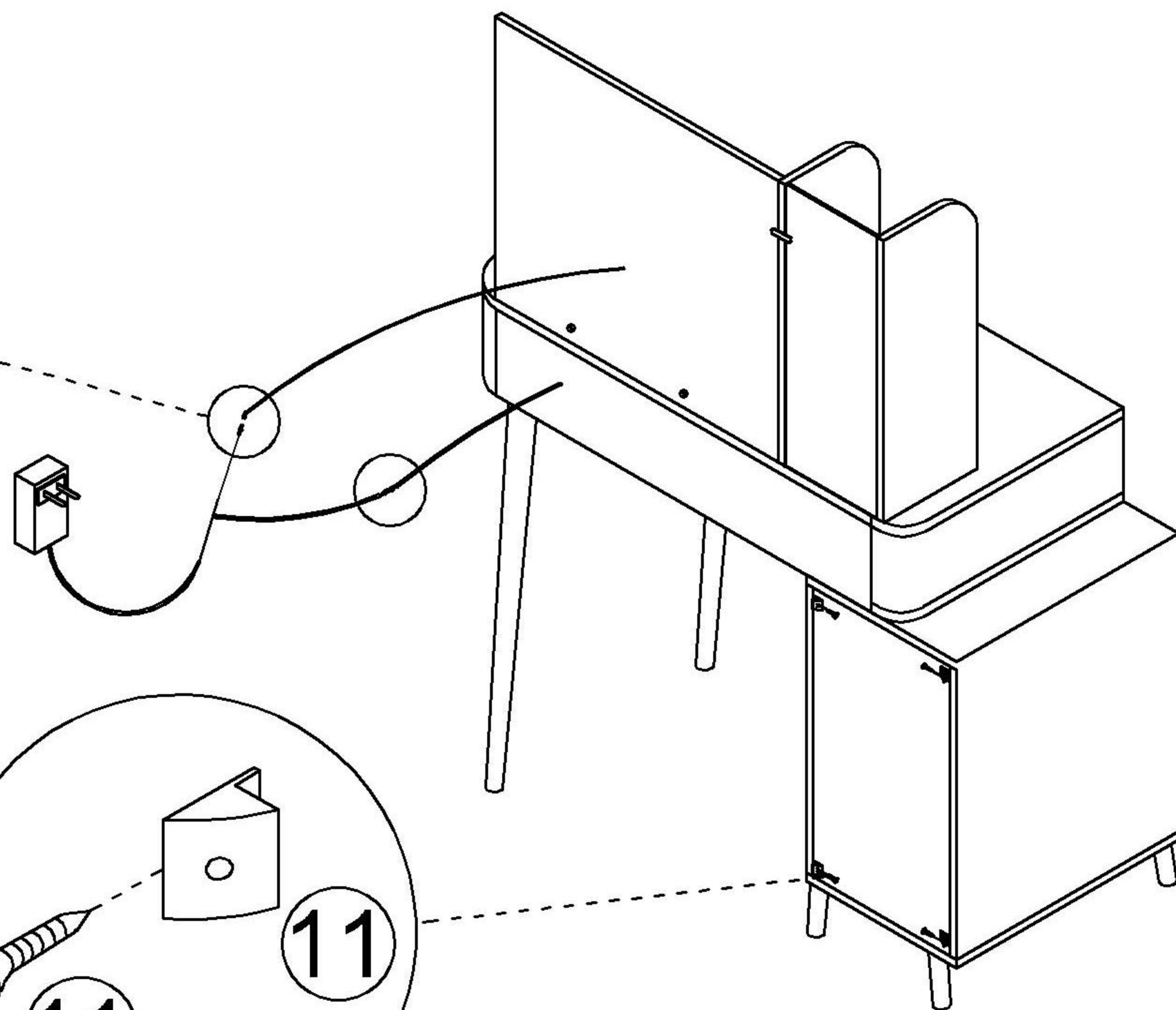
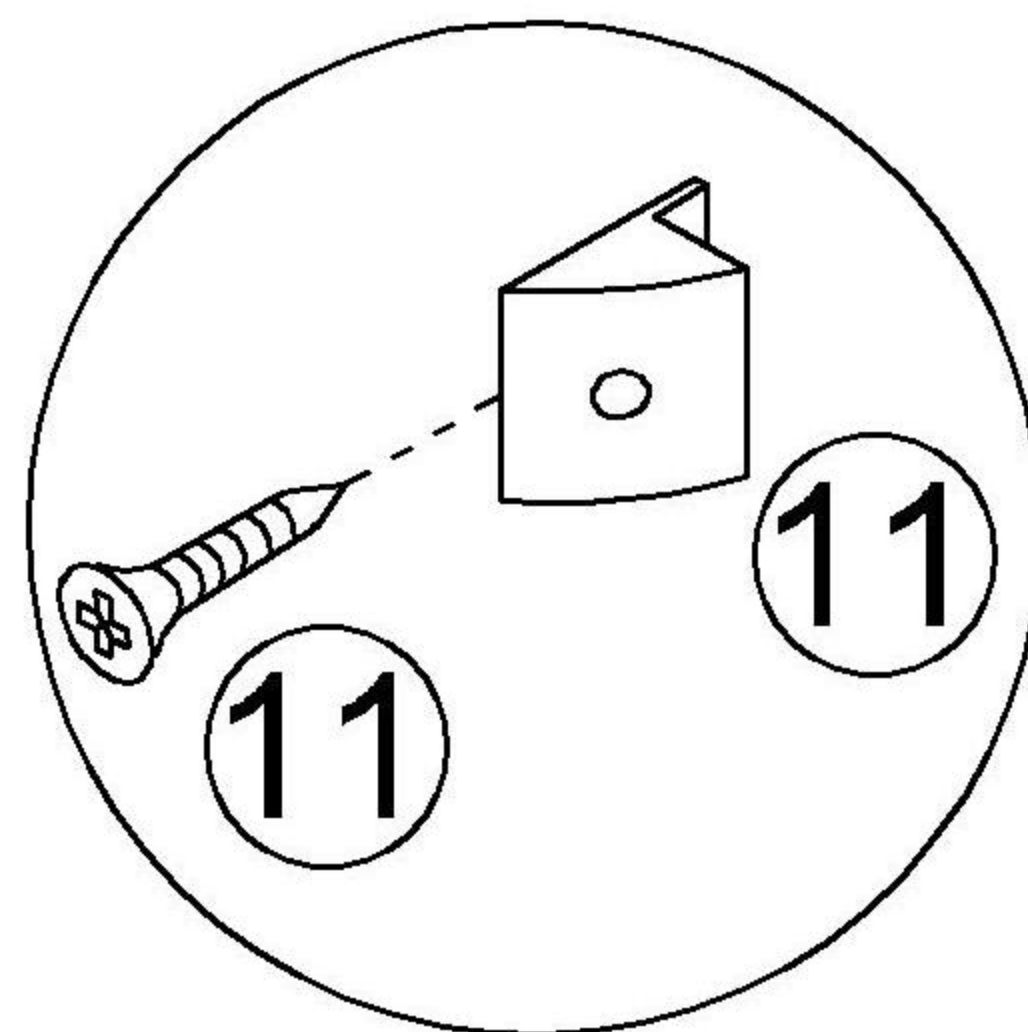
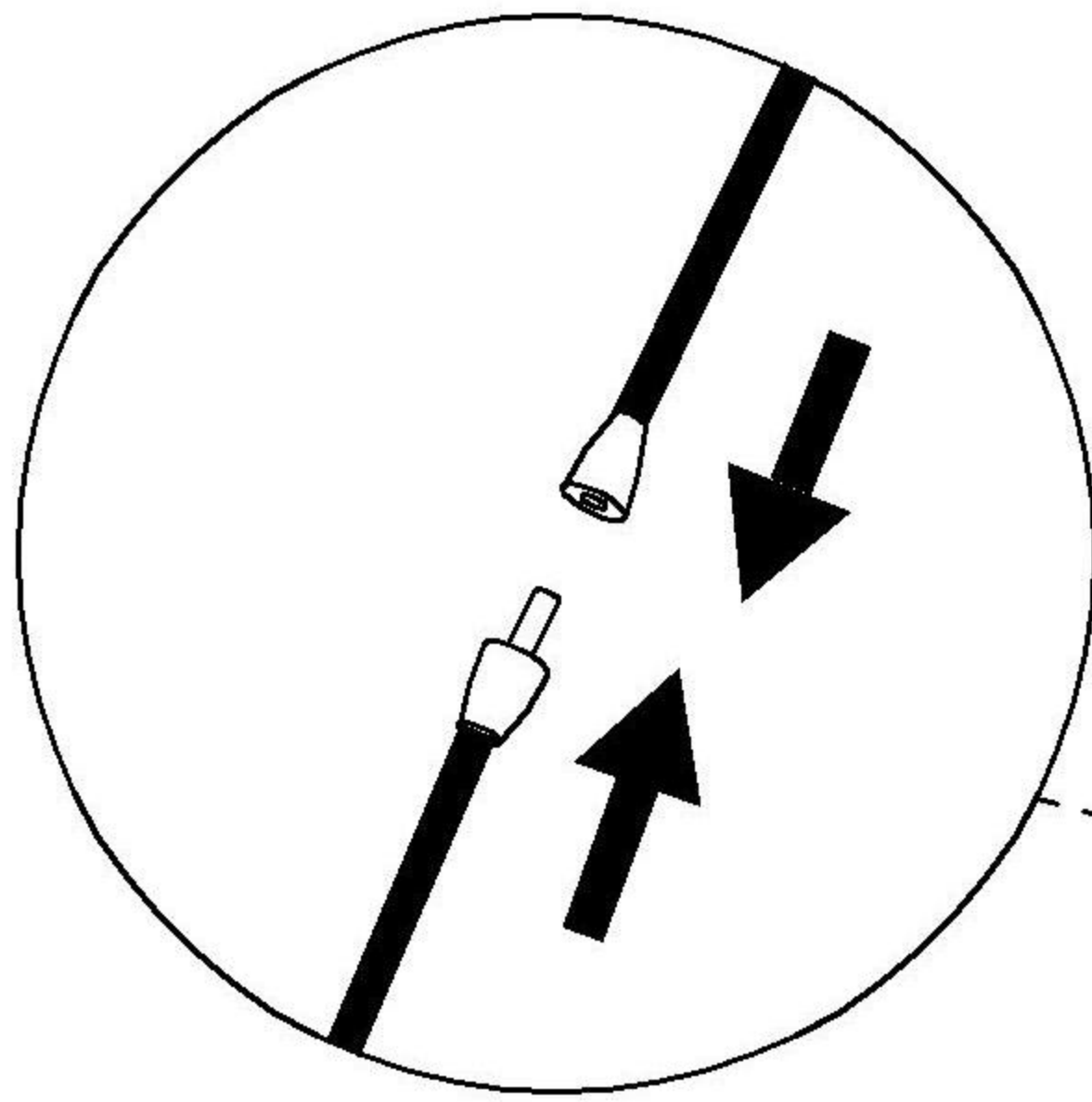
9  x 1



# Step 32

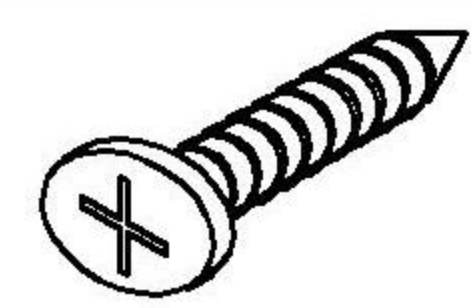
11  x 4

5  x 1

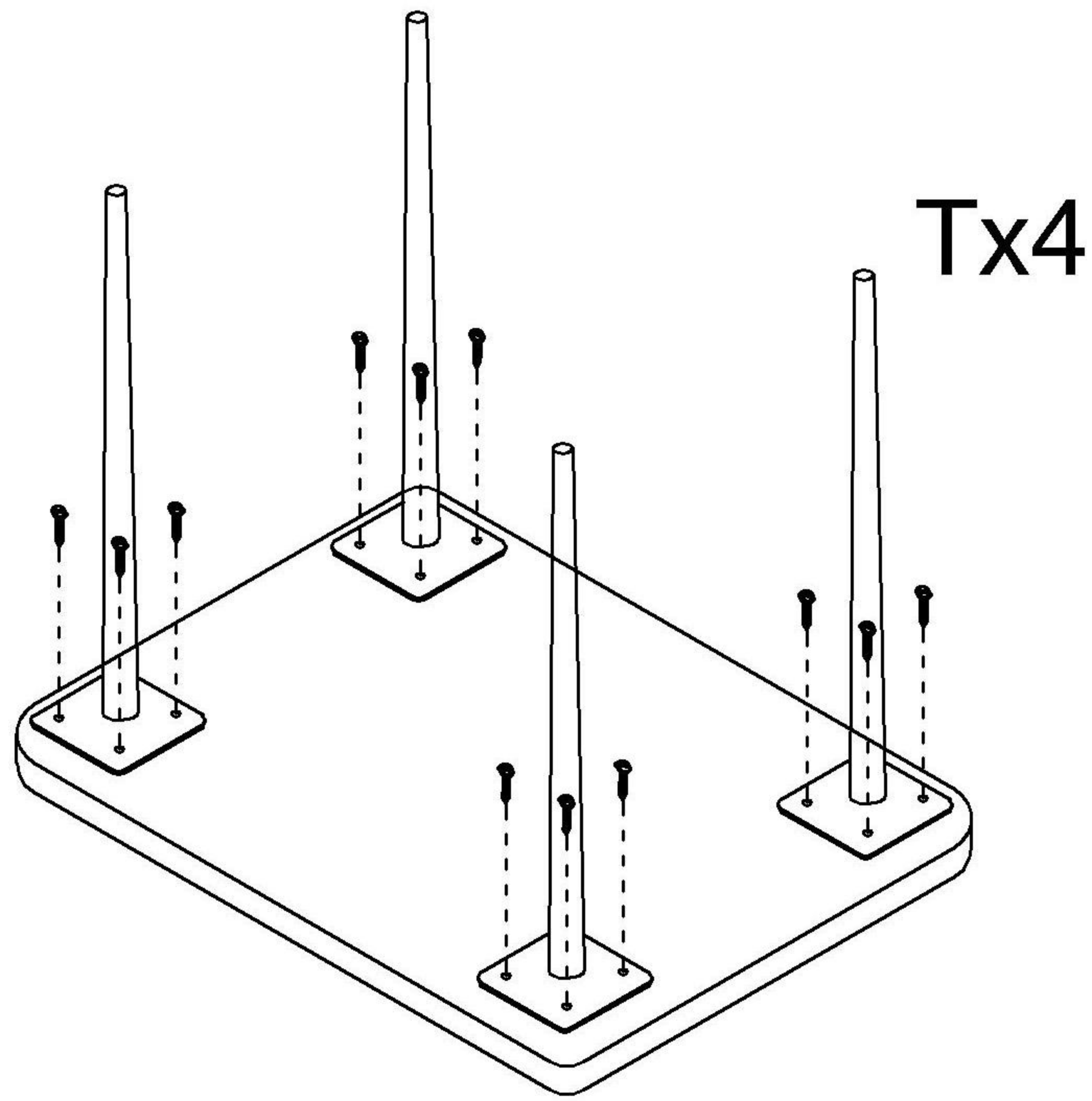
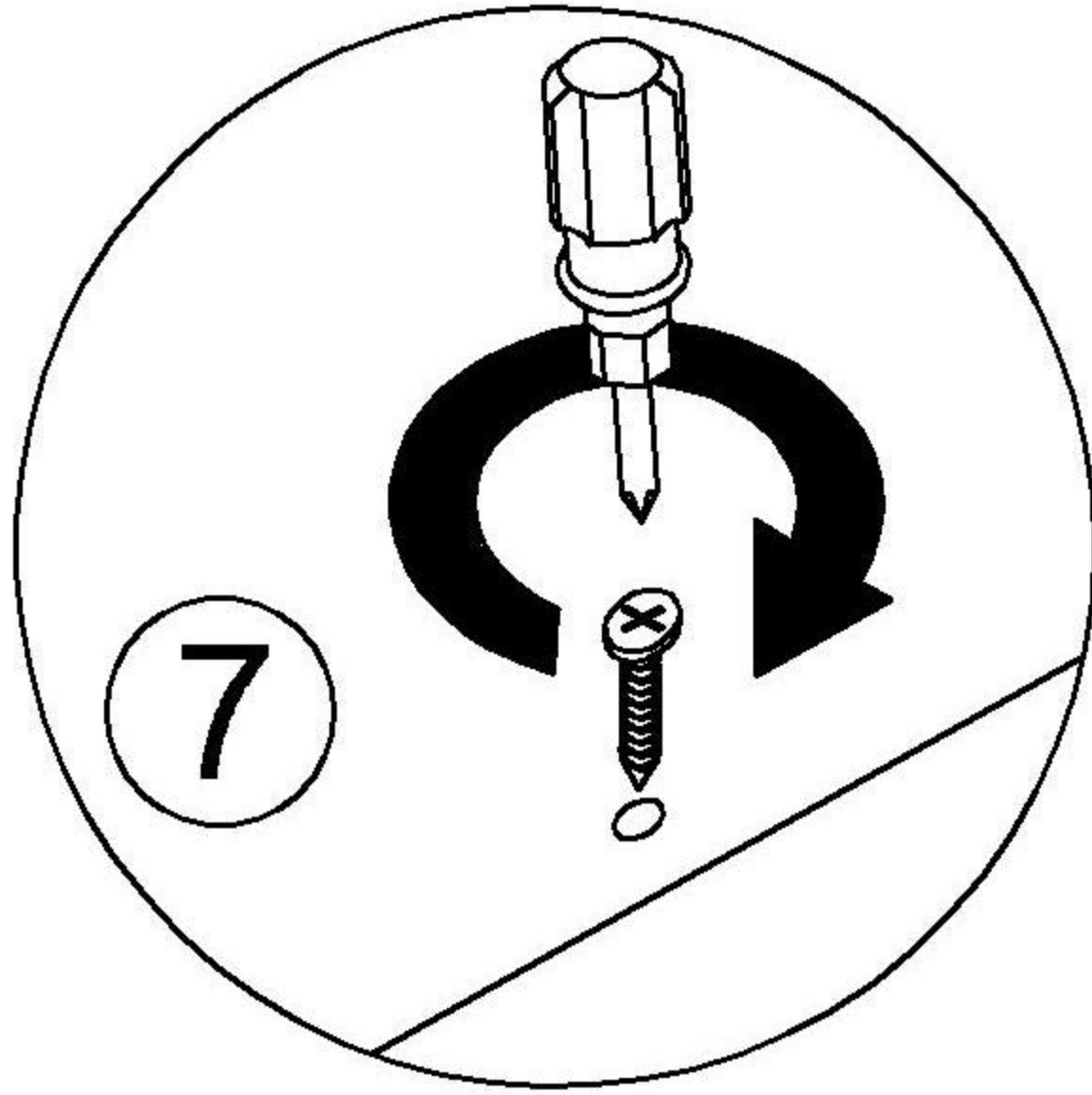


# Step 33

7

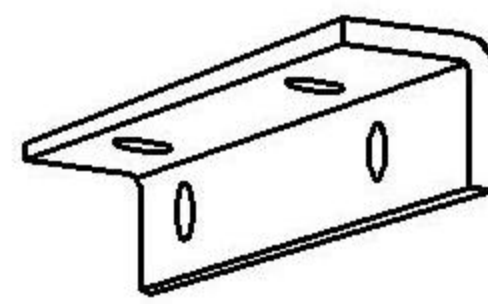


x 16



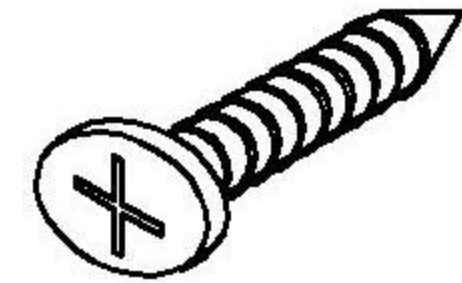
# Step 34

13



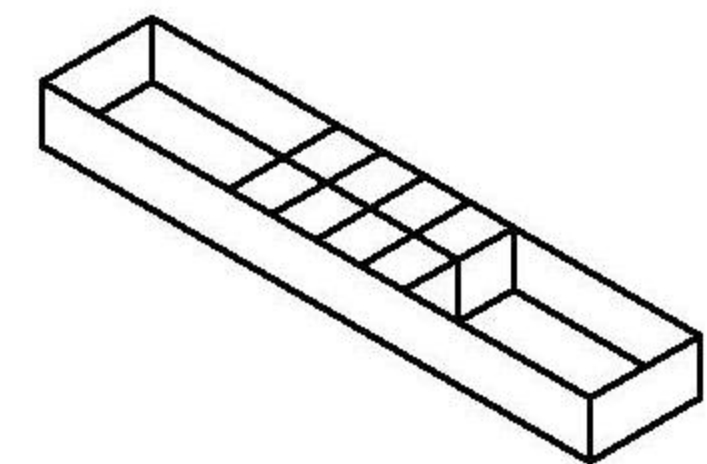
x 2

7

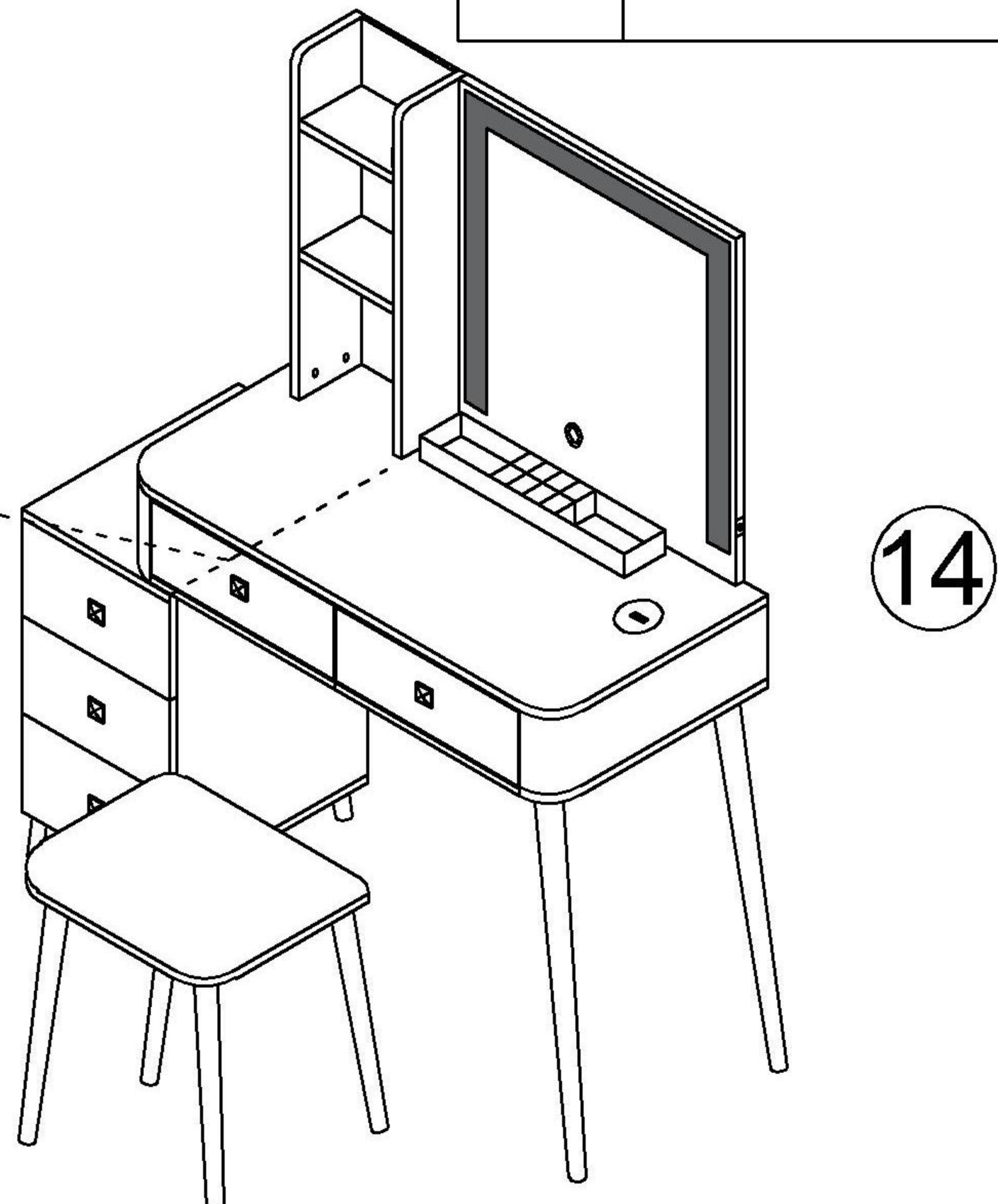
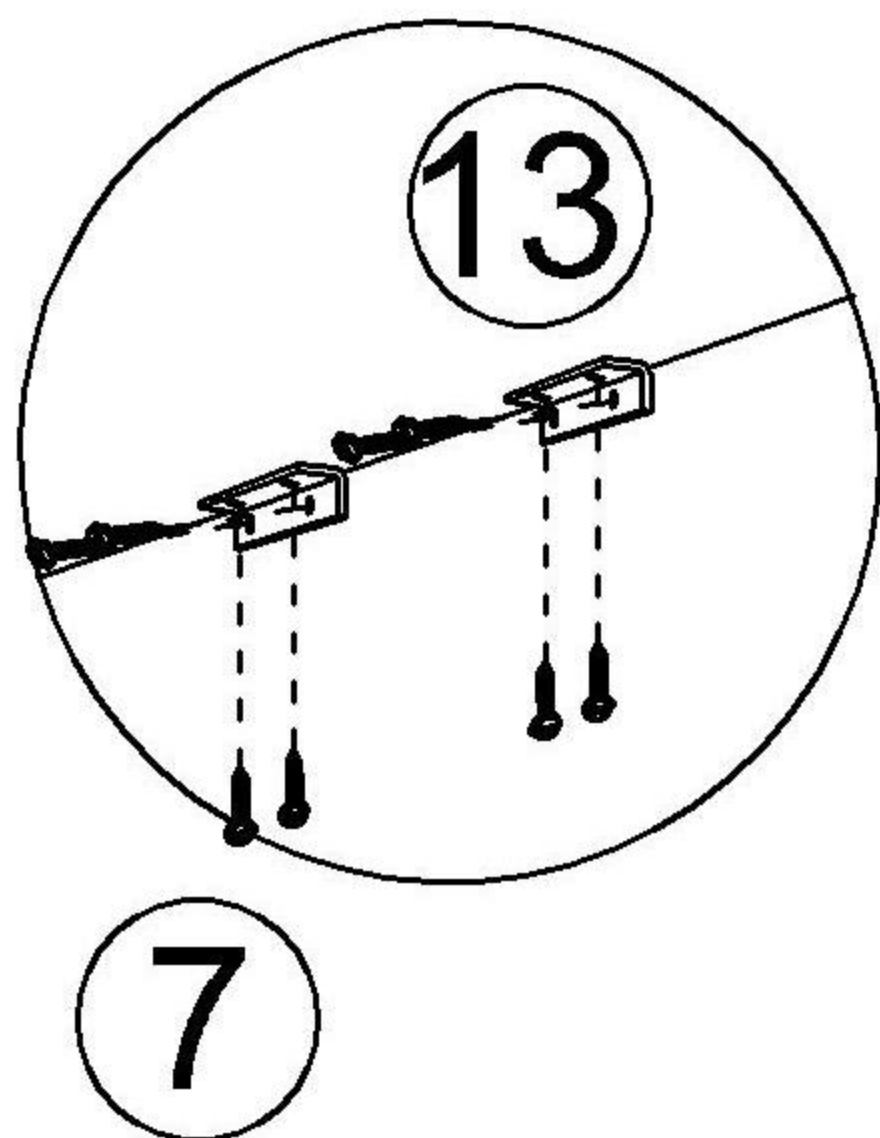


x 8

14

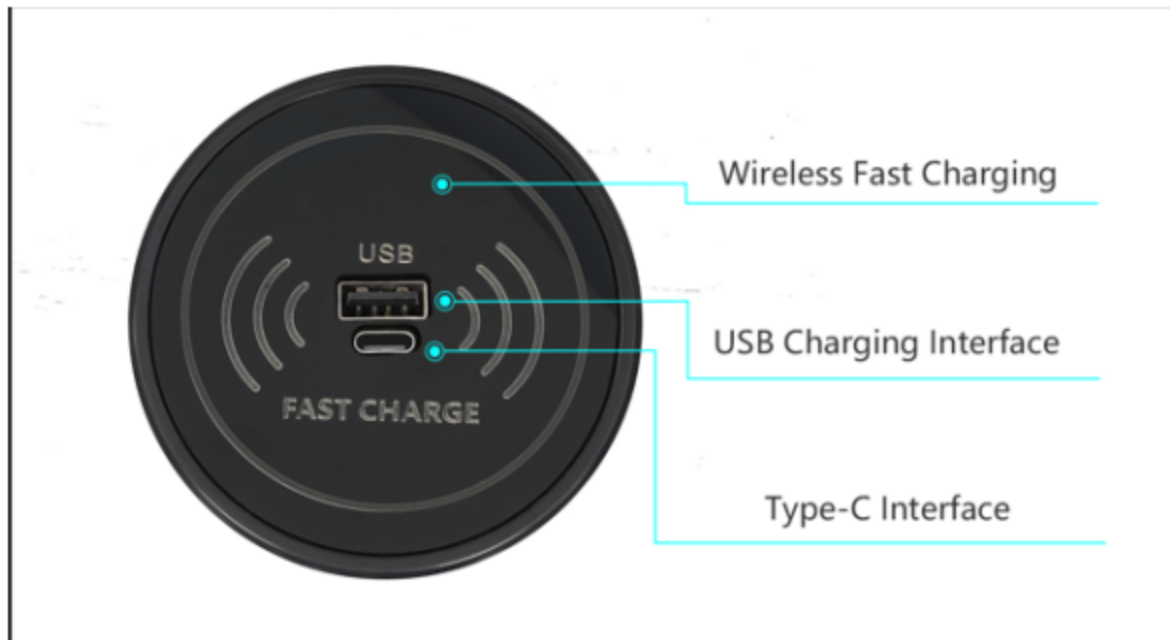


x 1



# 15W CHARGING STATION

## parameters and instructions:



**Product model:** 15W wireless charger

**Wireless charging output:** 15W/10W/7.5W/5W charging efficiency;

**Wired charging output:** 10W charging efficiency

**Wireless charging standard:** Compatible with WPCv1.2.4 standard;

**Wireless charging receiver:** Support wireless-charging mobile phone and Qi standard receiver  
Support 5W, Apple 7.5W, Samsung 10W charging

**Input voltage and current:** DC9-12V/2-3A

**Wired USB /TYPE-C charging Power:** 5V 2A, 10W

IF USB and TYPE-C charging at the same time, the charging power is 5V 1A

**Working frequency:** 100kHz-205kHz

**Charging distance:** When using wireless charging, it needs to be placed on the front of the charger. It is recommended to contact the charger at zero distance.

**Safety protection:** Built-in smart chip and software that effectively prevent from over-current, short-circuit, over-temperature etc.

### NOTE:

1. This charging station should be kept away from high temperature ( $>45^{\circ}\text{C}$ ) and low temperature ( $<-20^{\circ}\text{C}$ ) environment and children.
2. Please use a soft, dry cloth to clean the surface. Chemicals, soaps or detergents are forbidden.