

# artos

F906A-5TK

INSTALLATION GUIDE

volume control trim kit only  
rnd+lever

BRUSHED NICKEL(BN)



CHROME(CH)



BLACK(BK)



# artos

F906A-5TK

volume control trim kit only  
rnd+lever

## OPERATING SPECIFICATIONS

for associated valve | F906A-V0 or F906A34-V0



### OPERATING PRESSURE

Minimum: 10 psi  
Maximum: 125 psi

### FLOW CAPACITY

(F906A-V0) 5.6USGPM@60 psi  
or  
(F906A34-V0) 7.1USGPM@60 psi

### INLET/OUTLET

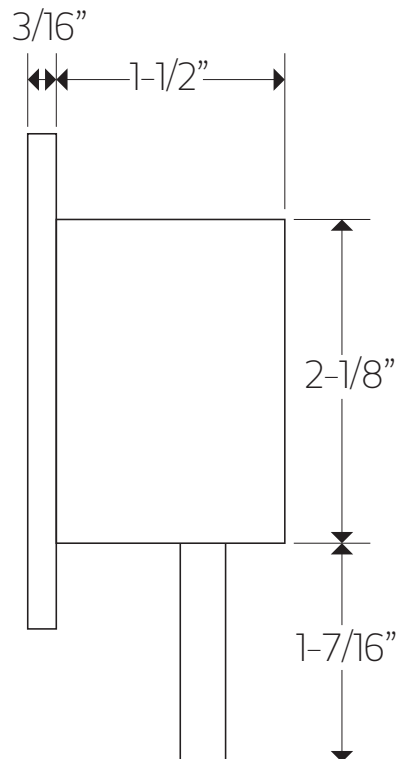
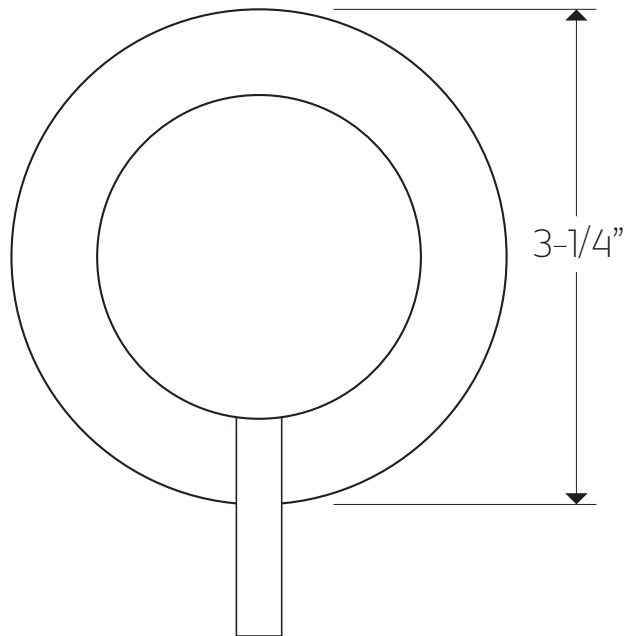
(F906A-V0) 1/2" Female NPT  
or  
(F906A34-V0) 3/4" Female NPT

# artos

F906A-5TK

## PRODUCT DIMENSIONS

volume control trim kit only  
rnd+lever

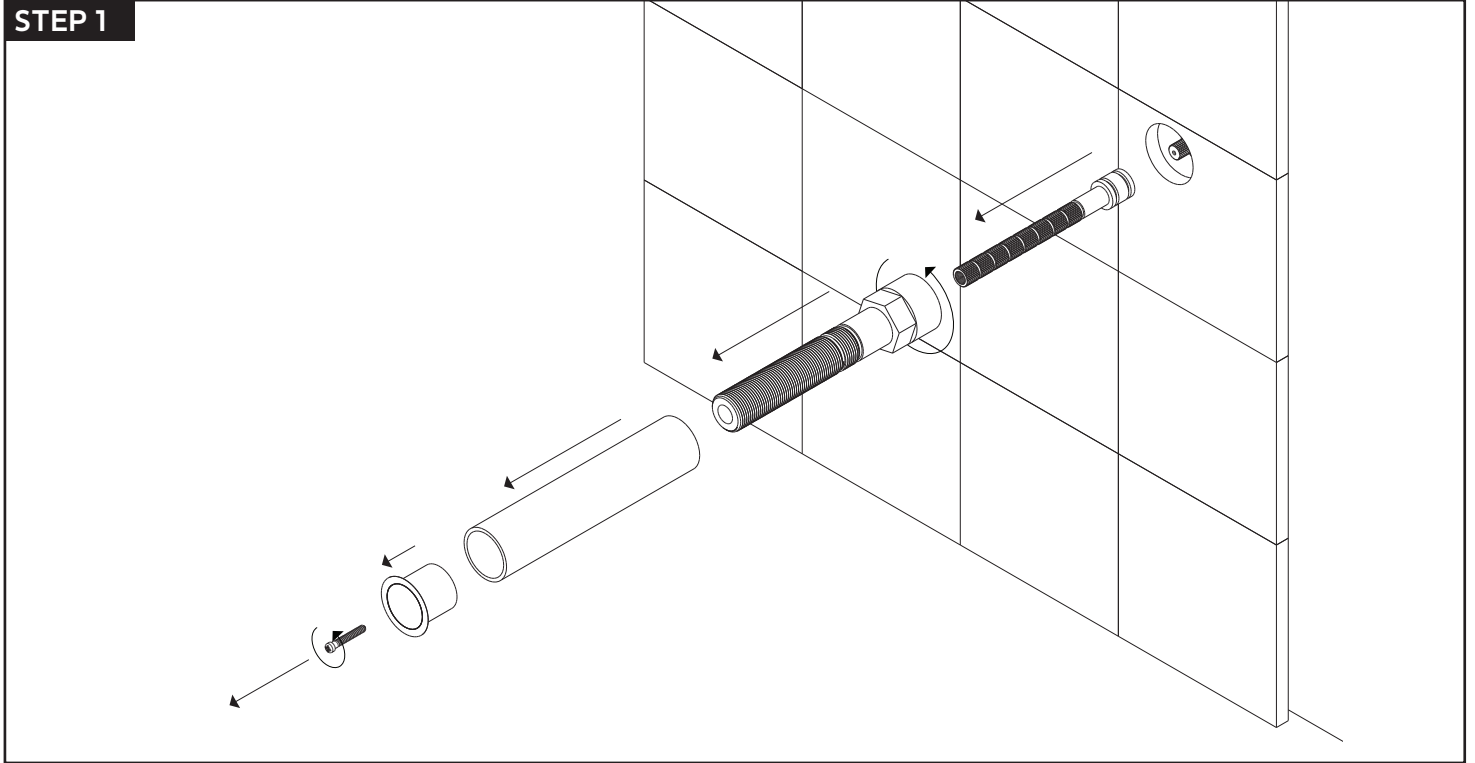


# artos

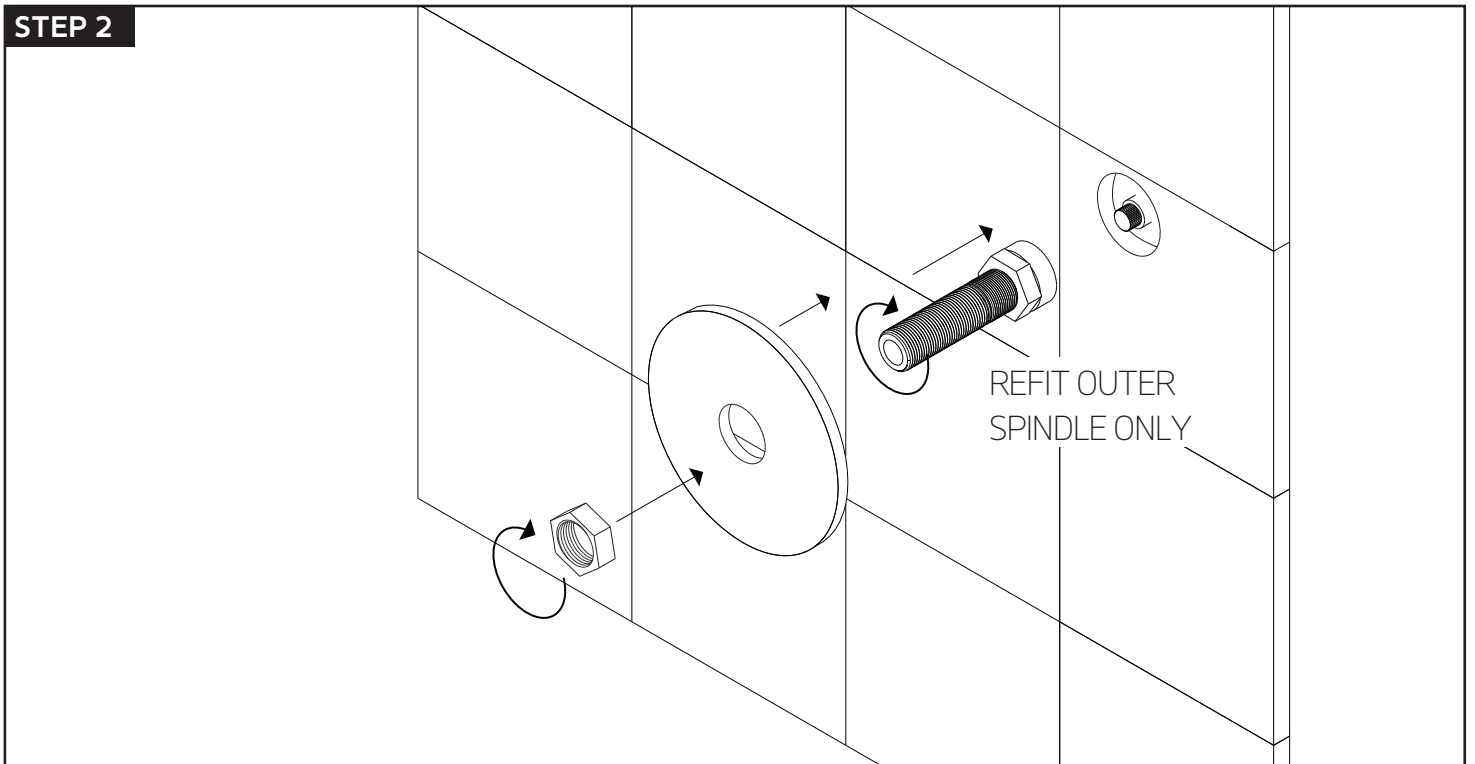
F906A-5TK

volume control trim kit only  
rnd+lever

## STEP 1

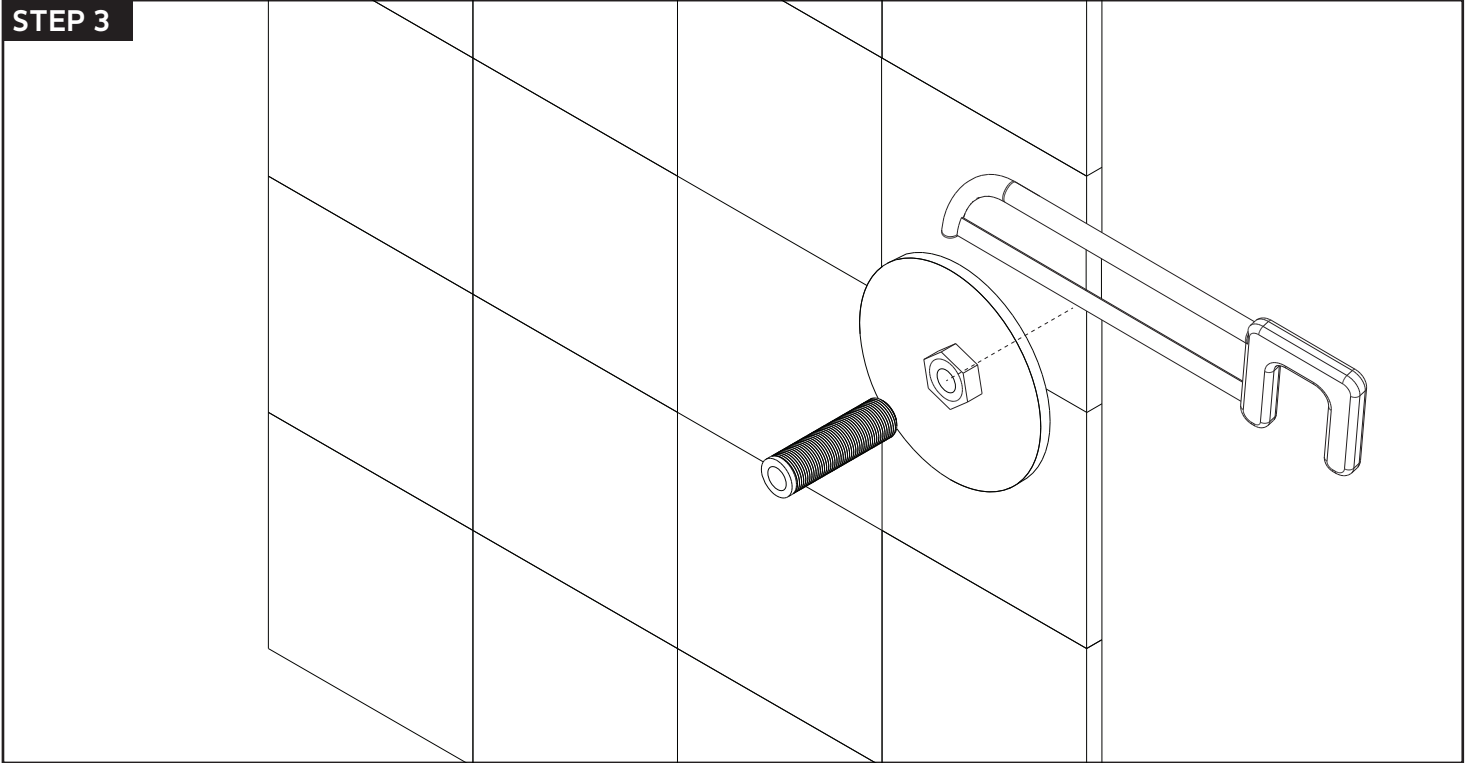


## STEP 2

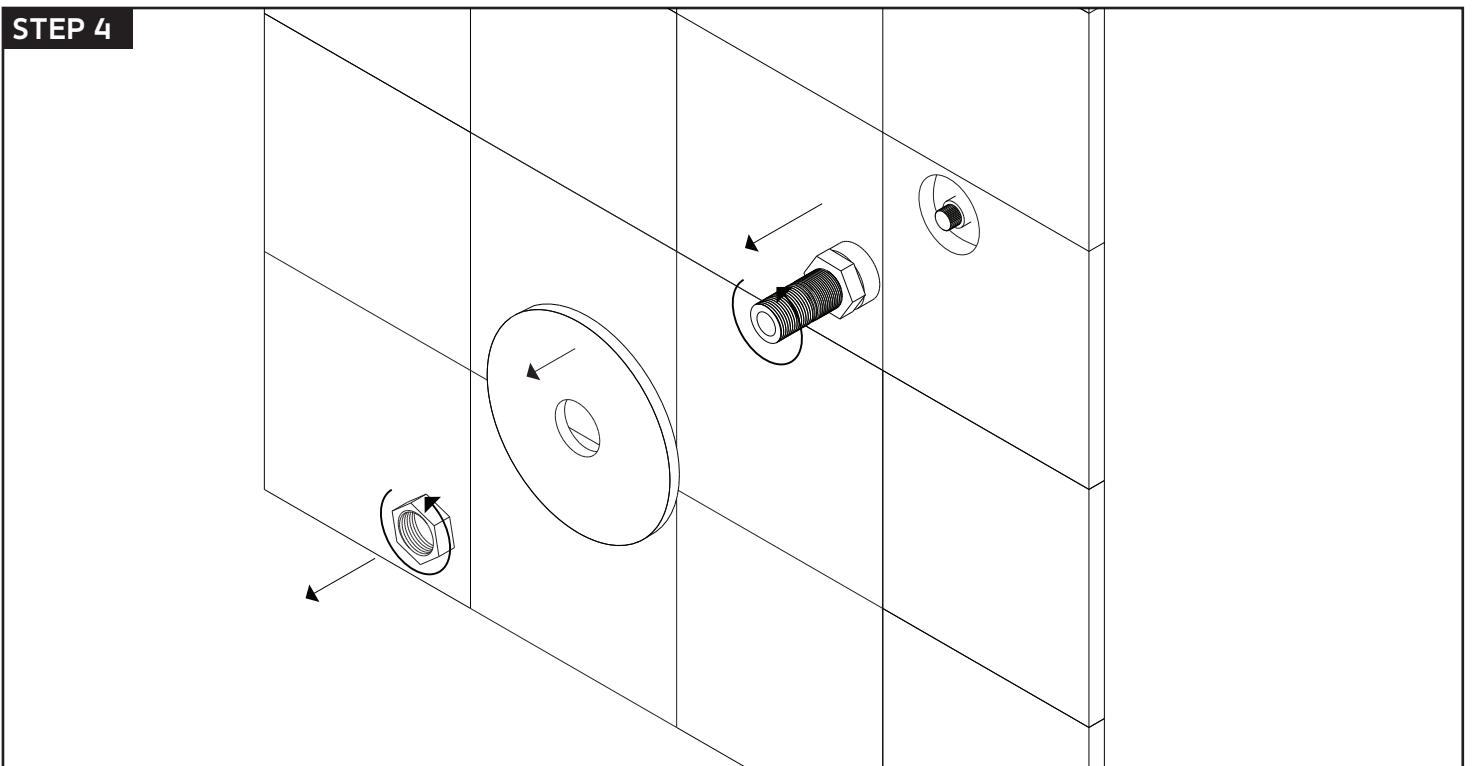


# INSTALLATION STEPS

## STEP 3



## STEP 4

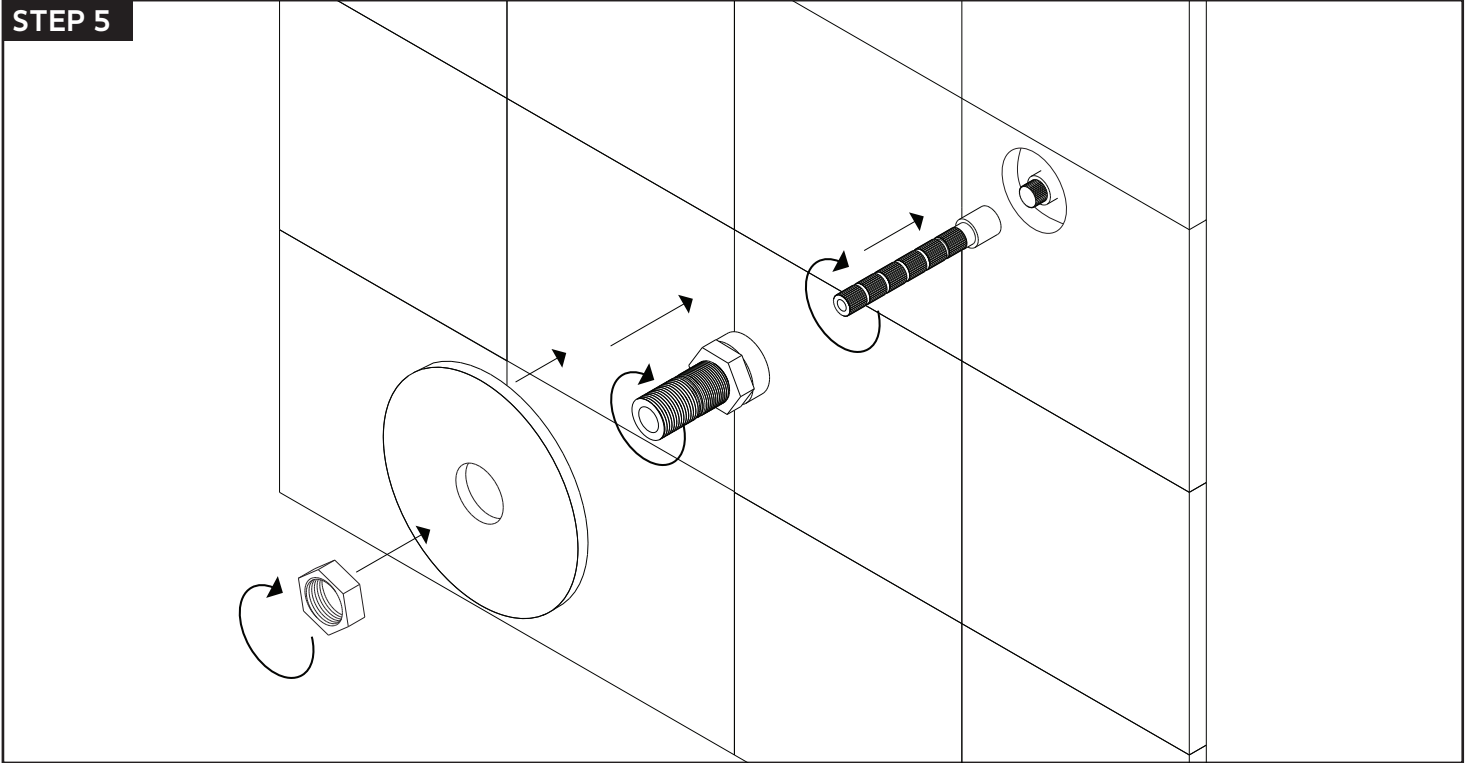


# artos

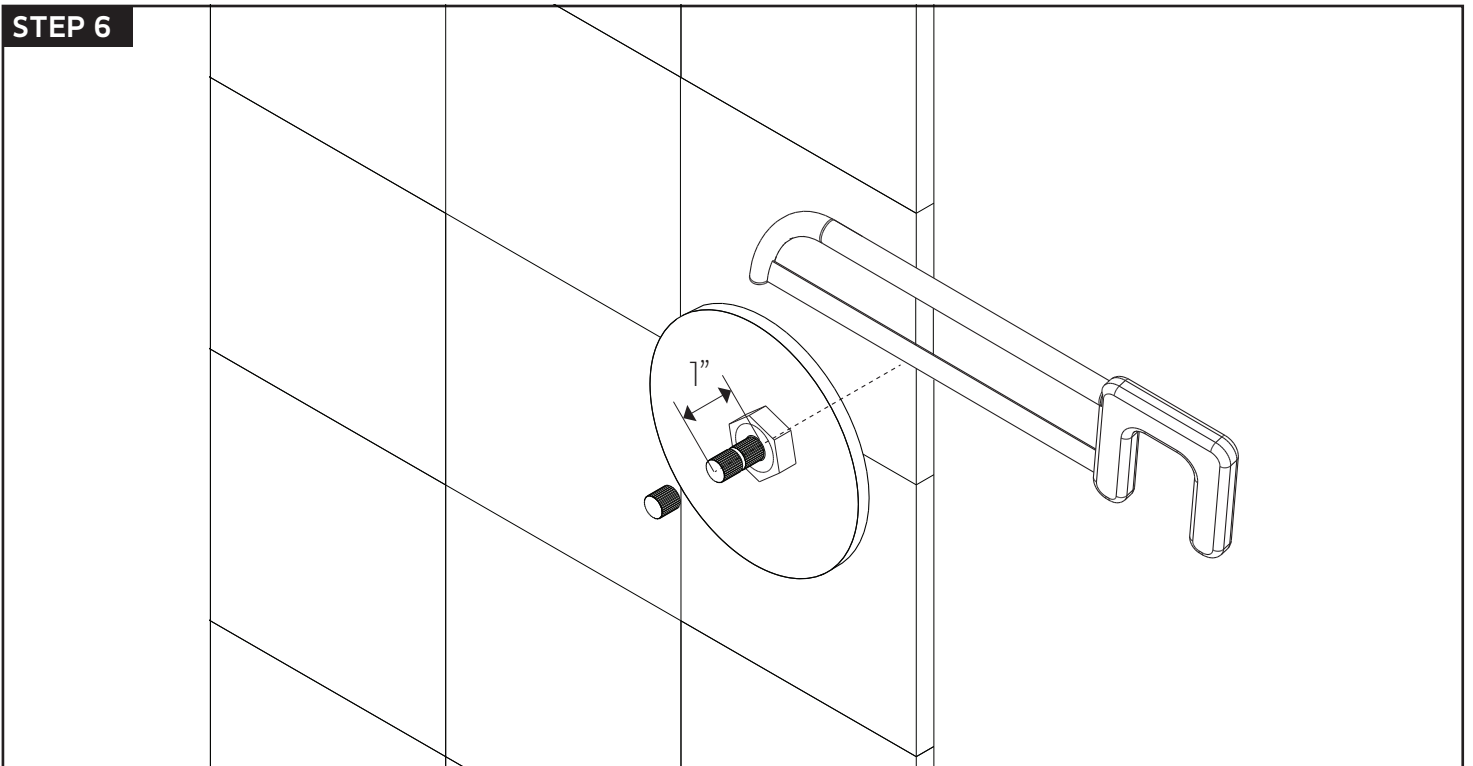
F906A-5TK

volume control trim kit only  
rnd+lever

## STEP 5

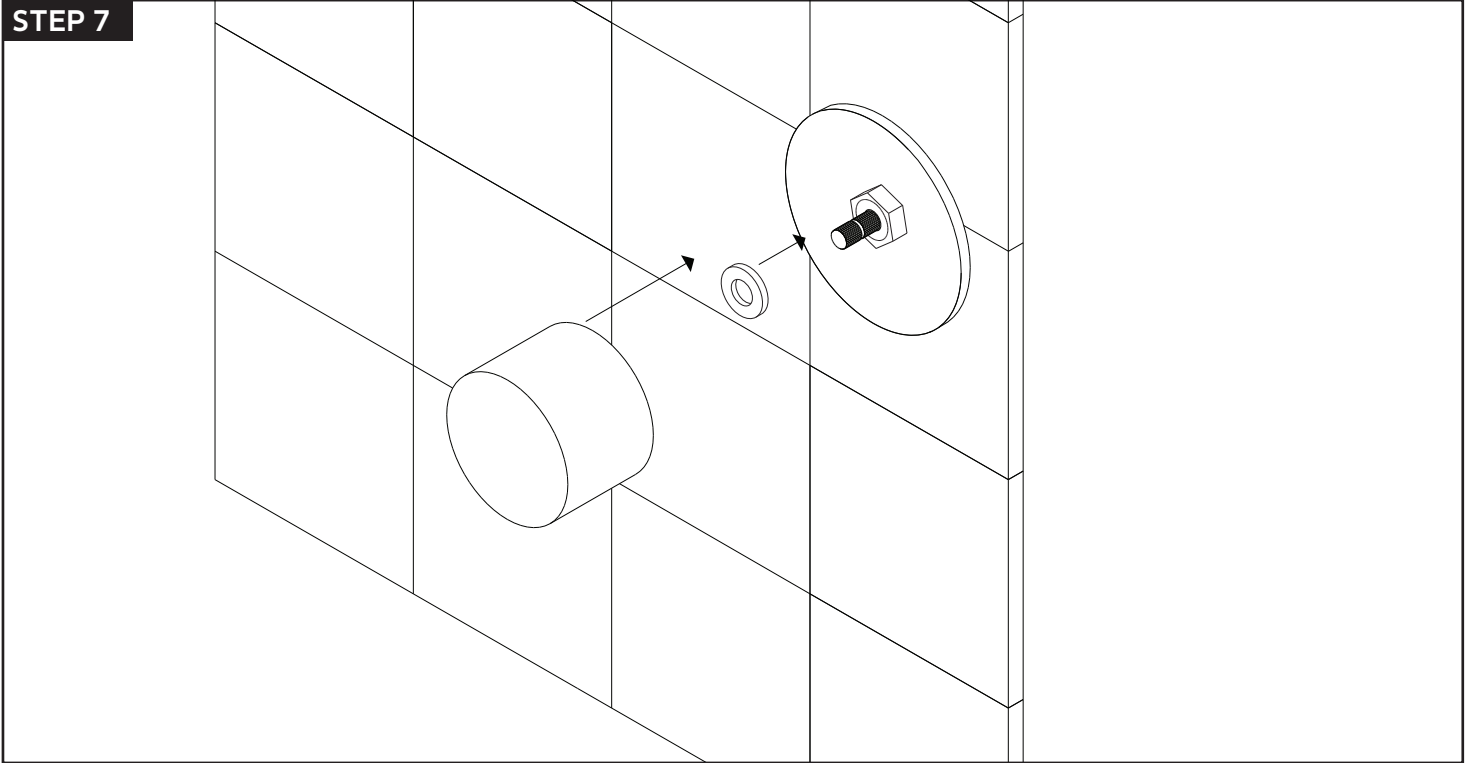


## STEP 6

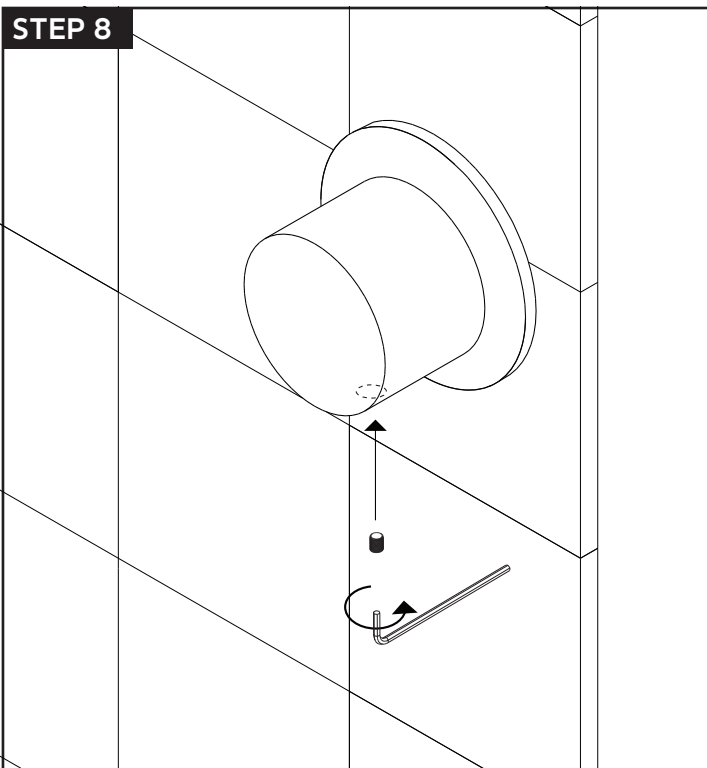


# INSTALLATION STEPS

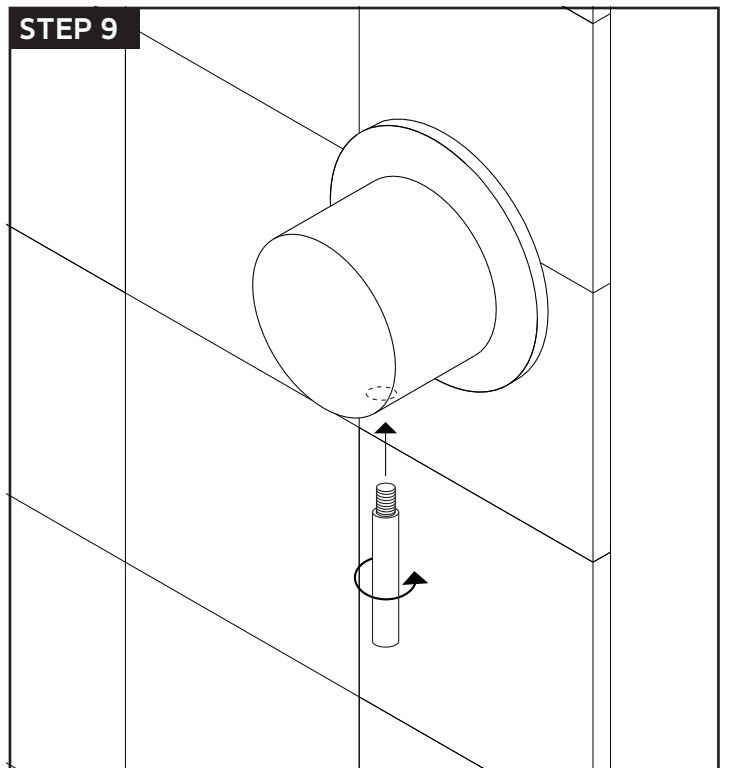
STEP 7



STEP 8



STEP 9

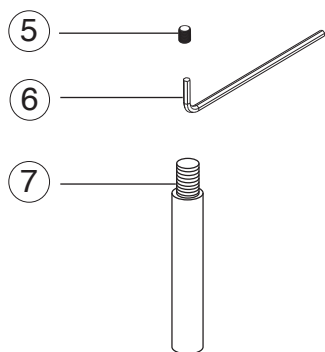
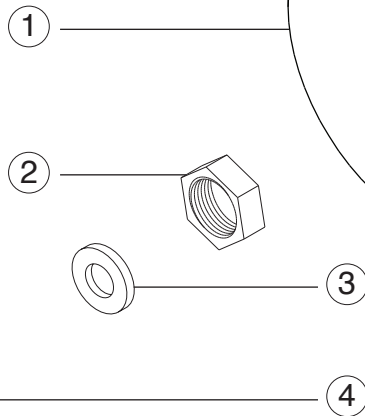
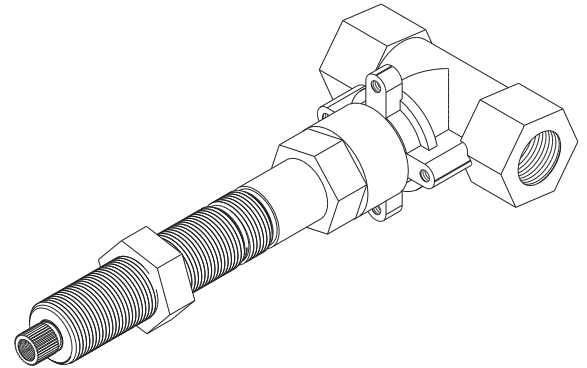


# artos

F906A-5TK

## PARTS BREAKDOWN

volume control trim kit only  
rnd+lever



- ① ESCUTCHEON
- ② LOCKING NUT
- ③ NYLON WASHER
- ④ HANDLE
- ⑤ SET SCREW
- ⑥ ALLEN WRENCH
- ⑦ HANDLE LEVER