

SPEAKMAN®

SLV-3020

Installation, Operation & Maintenance Instructions

SENTINEL MARK II® COMBINATION SERIES

DESCRIPTION

Speakman Sentinel Mark II® Combination SLV-3020 includes: Trim (CPT-3001), and Anystream® Wall Mounted Shower Head (S-2280). This combination does not include the Shower Valve.

PB

This combination should be installed with one of the following Speakman Sentinel Mark II® Pressure Balance Shower Valves

- CPV-PB:** Pressure Balance Shower Valve
Sweat & Thread Connections
- CPV-PB-PXC:** Pressure Balance Shower Valve
PEX F1807 Crimp Inlet Connections
- CPV-PB-PXE:** Pressure Balance Shower Valve
PEX F1960 Cold-Expansion Inlet Connections

T

This combination should be installed with one of the following Speakman Sentinel Mark II® Thermostatic Shower Valves

- CPV-T:** Thermostatic Shower Valve
Sweat & Thread Connections
- CPV-T-PXC:** Thermostatic Shower Valve
PEX F1807 Crimp Inlet Connections
- CPV-T-PXE:** Thermostatic Shower Valve
PEX F1960 Cold-Expansion Inlet Connections

SPECIFICATIONS

CPT-3001 SENTINEL MARK II® SHOWER VALVE TRIM:

FINISH: Polished Chrome

COMPLIANCE: ASME A112.18.1 / CSA B125.1 Standard

S-2280 ANYSTREAM® WALL MOUNTED SHOWER HEAD:

CONNECTIONS: ½" NPT Female Inlet

FLOW RATE: 2.5 gpm (9.5 L/min)

FINISH: Polished Chrome

COMPLIANCE: ASME A112.18.1 / CSA B125.1 Standard

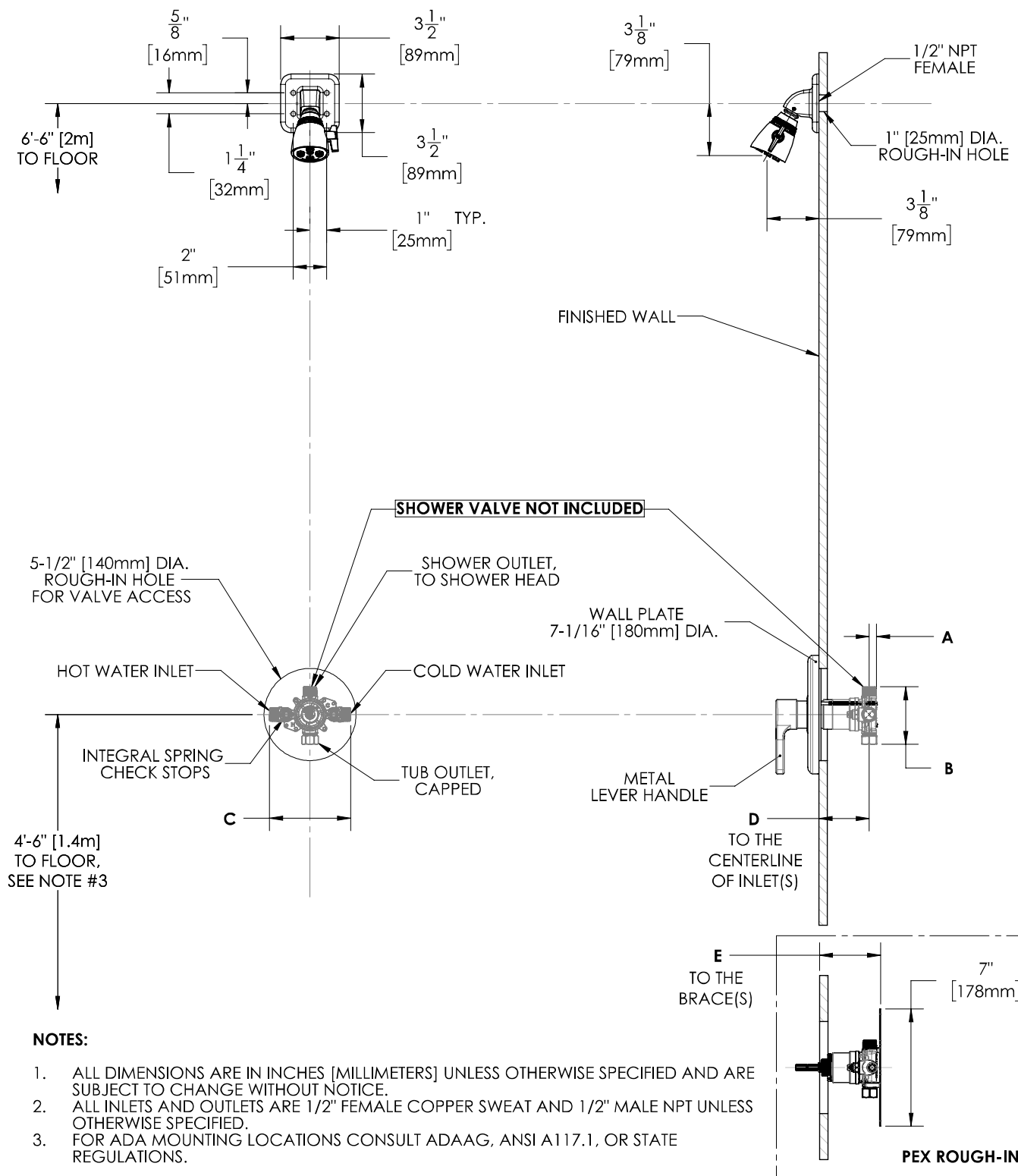
INSTRUCTIONS

See individual products for installation of the components and warranty information.

SPEAKMAN®

Phone: 800-537-2107 Fax: 800-977-2747
11/19/18 www.speakman.com 92C-SLV-3020-01

ROUGH-IN



NOTES:

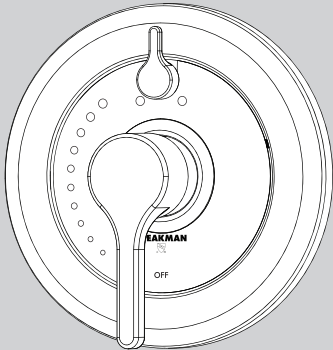
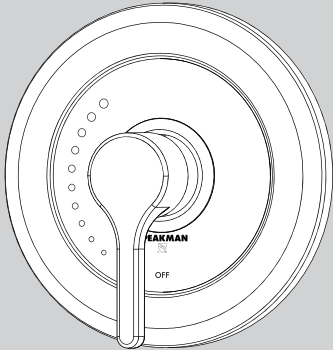
1. ALL DIMENSIONS ARE IN INCHES [MILLIMETERS] UNLESS OTHERWISE SPECIFIED AND ARE SUBJECT TO CHANGE WITHOUT NOTICE.
2. ALL INLETS AND OUTLETS ARE 1/2" FEMALE COPPER SWEAT AND 1/2" MALE NPT UNLESS OTHERWISE SPECIFIED.
3. FOR ADA MOUNTING LOCATIONS CONSULT ADAAG, ANSI A117.1, OR STATE REGULATIONS.

DIMENSION	CPV-PB	CPV-T	CPV-PB-PXC	CPV-PB-PXE	CPV-T-PXC	CPV-T-PXE
A	7/16" (11mm)	1/2" (12mm)	7/16" (11mm)		1/2" (12mm)	
B	3-5/16" (84mm)	3-1/2" (89mm)	3-5/16" (84mm)		3-1/2" (89mm)	
C	4-13/16" (123mm)	5-7/8" (150mm)	4-13/16" (123mm)		5-7/8" (150mm)	
D	2-1/2" (63mm) MIN TO 3-1/2" (89mm) MAX					
E			3-1/8" (79mm) MIN TO 4-1/8" (105mm) MAX		3-3/16" (81mm) MIN TO 4-3/16" (106mm) MAX	

SPEAKMAN®

INSTRUCTIONS FOR MODELS

CPT-3001
CPT-3401



NEED HELP?

For additional assistance or service please contact:

SPEAKMAN®

800-537-2107

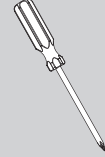
customerservice@speakman.com

www.speakman.com

92-CPT-3001-01

TOOLS AND SUPPLIES

Phillips
Screwdriver



Hex Key Wrench
(included)



IMPORTANT



- Be sure to read instructions thoroughly before beginning installation.
- Be sure to have properly adjusted the Temperature Limiting Stop (TLS) as outlined in the Valve Installation Manual.
- Cover your drain to prevent loss of parts. Be sure to wear eye protection while cutting pipe.

MAINTENANCE

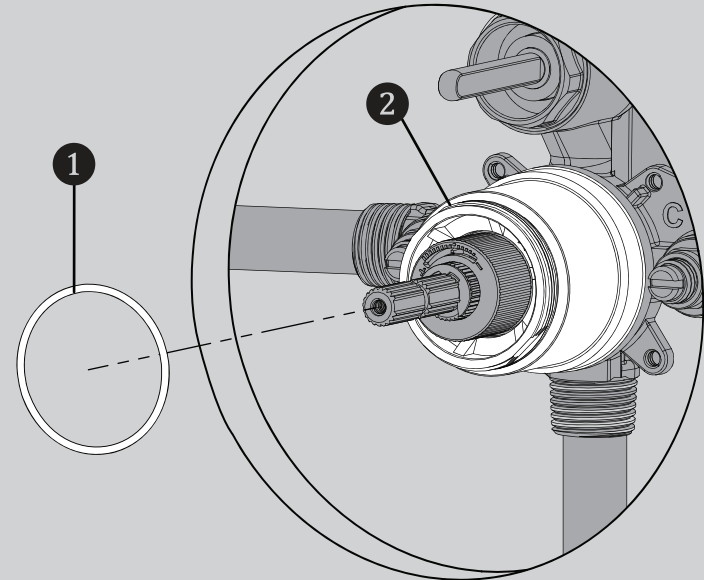
Your new Valve Trim is designed for years of trouble-free performance. Keep it looking new by cleaning it periodically with a soft cloth. The use of harsh chemicals and abrasives on any of the Speakman custom finish products may damage the finish and void the product warranty. Please be sure to only use approved cleaners. Please contact Speakman for any clarification of acceptable cleaners.

WARRANTY

Warranty information can be found at:
www.speakman.com

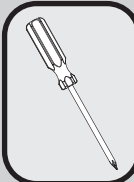
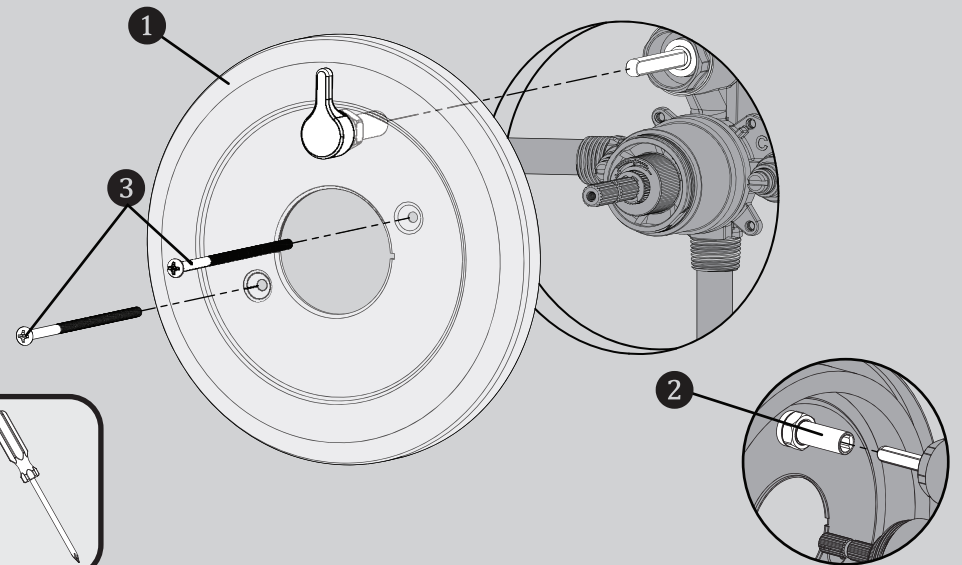
1

OPTIONAL: If a firm fit is required, insert the O-Ring **1** onto the Bonnet **2** of the Shower Valve.

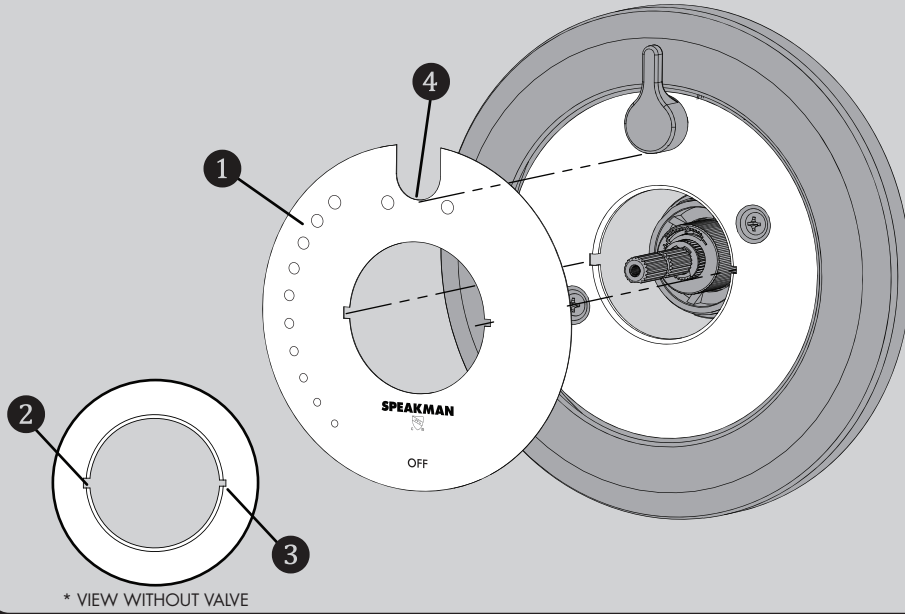


2

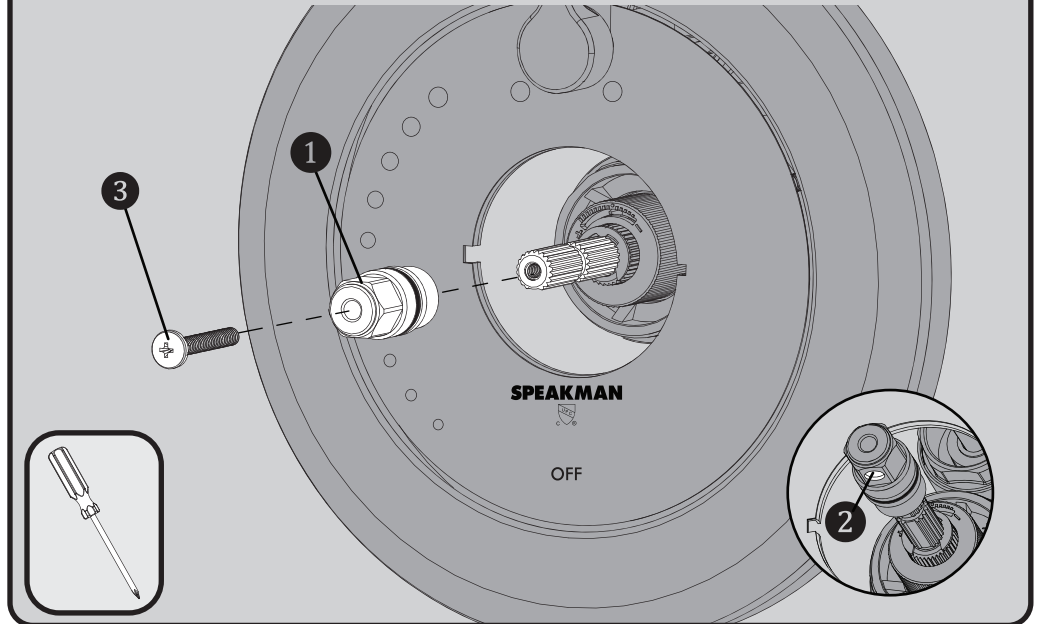
Verify that the Valve is in the "OFF" position. Install the Wall Plate **1** to the Valve. If installing a Diverter model of Trim, align the Diverter Handle to the 12 o'clock position and position the Diverter Drive Tube **2** over the Diverter Spindle of the Valve. Secure with the included Mounting Screws **3**.



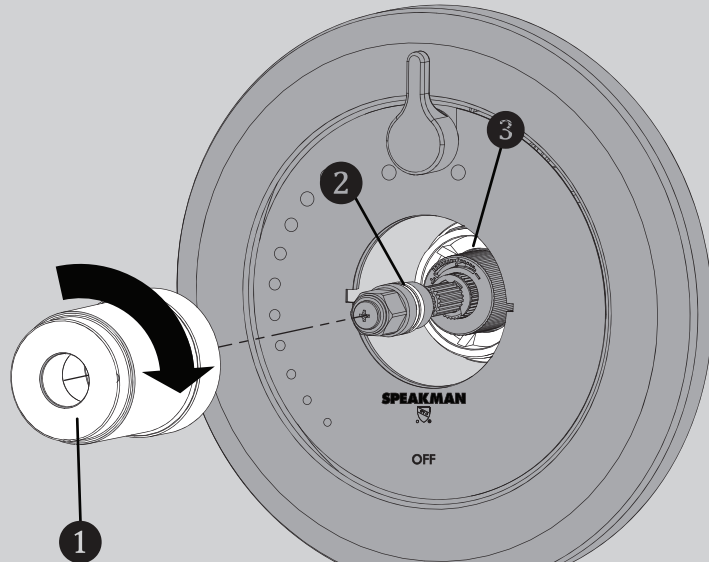
3 Align the Index Plate **1** with the Large Slot **2** and Small Slot **3** on the Wall Plate. If installing onto a Diverter Model, align the U shape **4** under the Diverter Handle and then align to the slots.



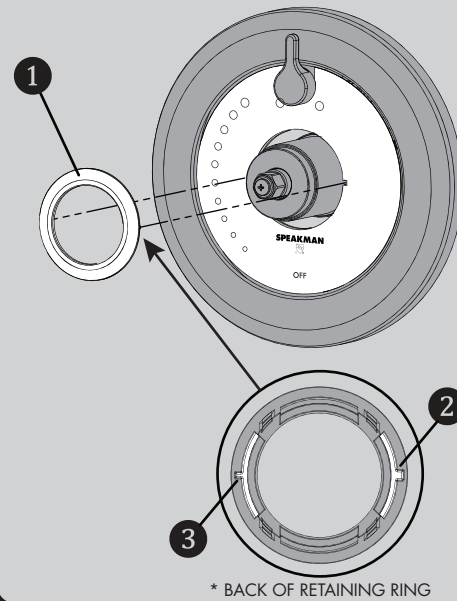
4 Install the Spindle Adapter **1** (with appropriate O-ring in its place) onto the Spindle so that the Circular Indent **2** is pointing downward and is horizontal as shown below. Secure the Spindle Adapter with the included Screw **3**.



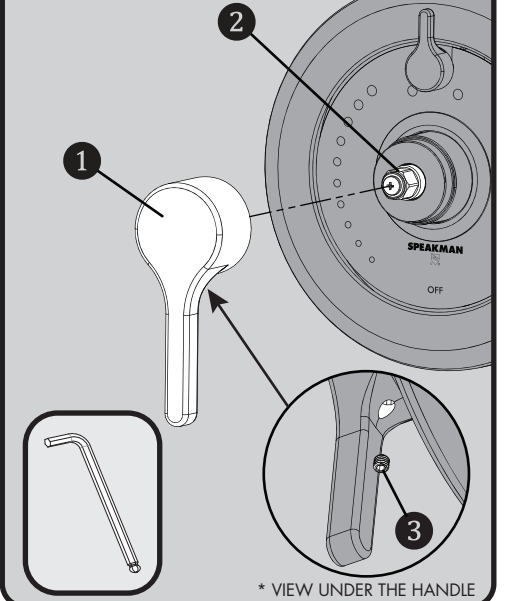
5 Push the Escutcheon **1** gently over the O-ring **2** of Spindle Adapter. Thread the Escutcheon onto the Bonnet **3** of the Valve. Hand tighten into position.



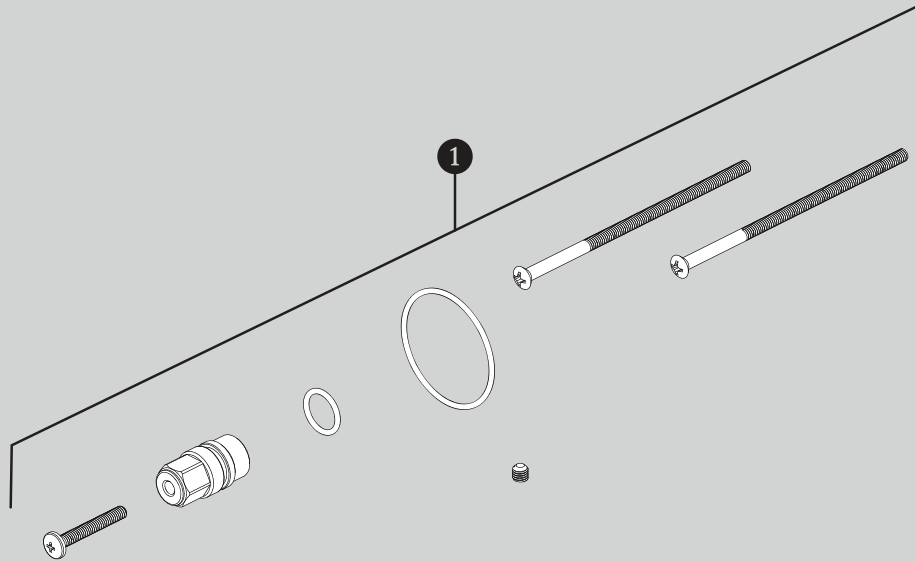
6 Install Retaining Ring **1**. Align the Retaining Ring with the Large Slot **2** and Small Slot **3** on the Wall Plate. Snap in place.



7 Orient the Handle **1** as shown below and position over the Spindle Adapter **2**. Secure with the included Set Screw **3**.



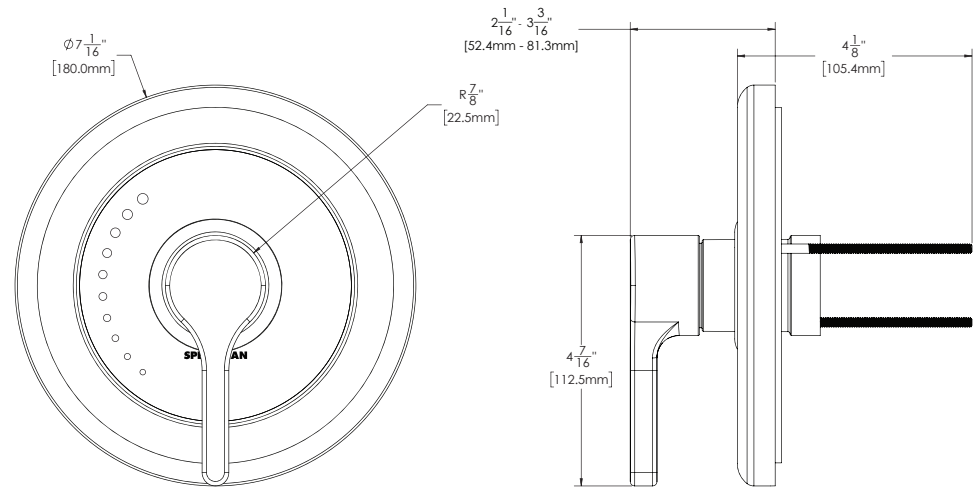
CPT-3001/3401 REPAIR PARTS



ITEM NO.	PART NO.	DESCRIPTION
1	RPG05-1126	REPAIR PARTS GROUP FOR CPT-3X01 TRIMS

CPT-3001 ROUGH-IN DIAGRAM

SPEAKMAN®

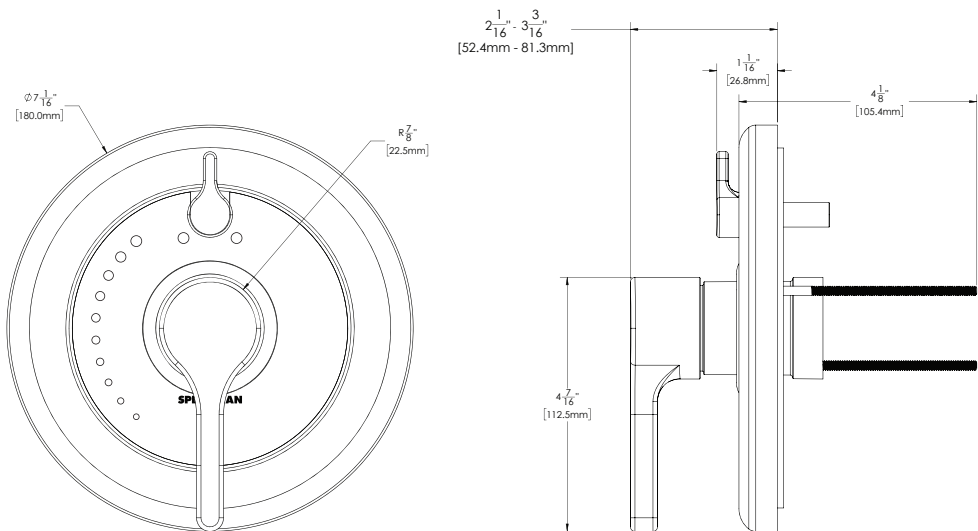


TRIM IS SHOWN AT A ROUGH-IN DEPTH OF 3.0in

DIMENSIONS SUBJECT TO CHANGE WITHOUT NOTICE.

CPT-3401 ROUGH-IN DIAGRAM

SPEAKMAN®



TRIM IS SHOWN AT A ROUGH-IN DEPTH OF 3.0in

DIMENSIONS SUBJECT TO CHANGE WITHOUT NOTICE.

SPEAKMAN®

S-2280

Installation, Operation & Maintenance Instructions

ANYSTREAM® SHOWER HEAD

DESCRIPTION

Polished chrome plated ANYSTREAM wall mounted shower head. Rigid brass ball. Spray adjusting T-handle, 2-1/4" face. 4 Lexan® deposit resisting plungers with 32 spray channels. Drilled for but less mounting bolts. Water conserving pressure compensating AUTOFLO® device reduces flow to 2.5 GPM/9.46LPM maximum, to meet existing ANSI A112.18.1 Standard. Vandal resistant standard. 1/2" NPT back inlet.

SPECIFICATIONS

SUPPLY INLET: 1/2" NPTF

FLOW RATE: 2.5 GPM/9.46LPM MAXIMUM

FLOW CONTROL: VARIABLE

SHIPPING WEIGHT: 2.1 LBS

OPTIONS:

AP	Anchor Plate Assembly with Mounting Screws
BJ	Ball Joint
E15	Low Flow Head (1.5 GPM/ 5.7 LPM) (Ball Joint Only)
E20	Low Flow Head (2.0 GPM/ 7.6 LPM) (Ball Joint Only)

INSTALLATION

Apply pipe thread tape in a clockwise direction to threads of supply nipple. Pipe joint compound may be used instead of tape. Turning in a clockwise direction, thread the showerhead on to the supply nipple. Tighten & position with a strap wrench or a pair of soft jaw pliers. Mark and drill holes for mounting screws (not provided). Note: If necessary, remove shower head and use proper screw anchors (4) (not provided). Turn the water supply on and check for leaks. Tighten mounting screws (4).

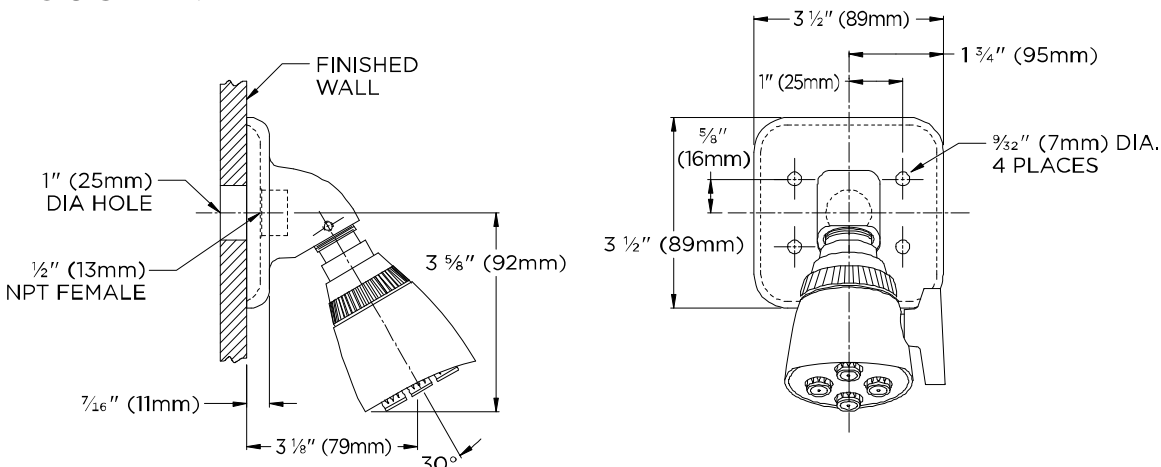
OPERATION

To adjust the spray pattern of the shower head, simply rotate the handle to the desired spray (needle spray, gentle rain or full flood).

MAINTENANCE

The gleaming finish of your SPEAKMAN WATERSAVER® shower head can be cleaned by using mild soap and warm water. Dry immediately with a soft, clean cloth for best results. The flow control device limits water flow to 2.5 gallons per minute. The small orifice may become clogged with scale and other minerals found in potable water. To clean the flow regulator, simply loosen the side set screw and remove the shower head from the flanged elbow, remove the flow control from the brass retainer and clean as necessary.

ROUGH-IN



SPEAKMAN®

400 Anchor Mill Rd. New Castle, DE 19720 Phone: 800-537-2107 Fax: 800-977-2747

11/06/17

www.speakman.com

92-S-2280-01