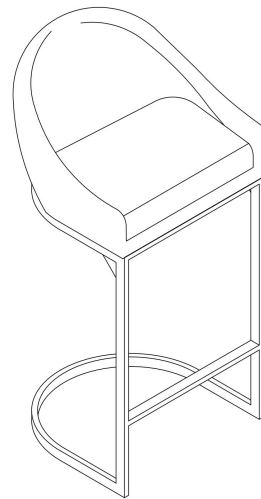
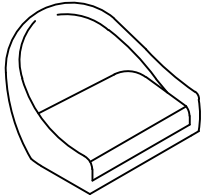
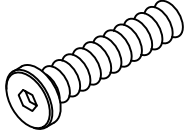
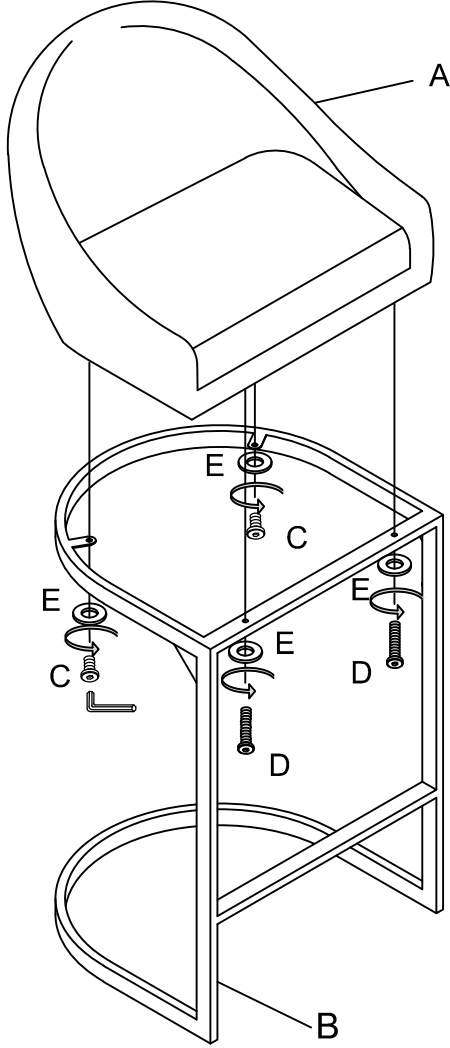
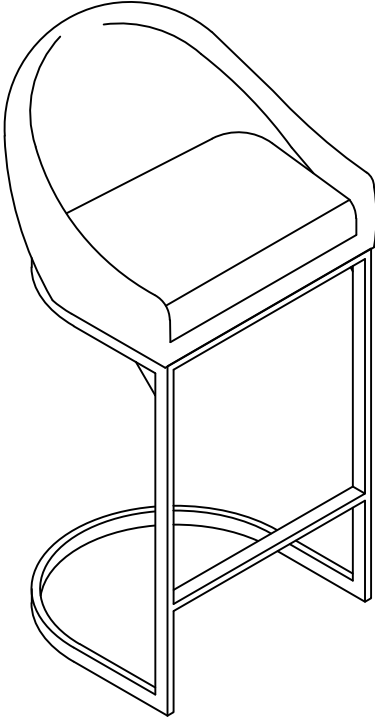
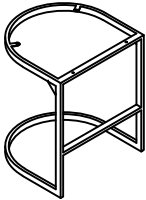

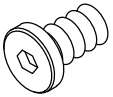

Assembly Instructions



Thank you for purchasing a Carolina Classic company product. This product has been designed for easy assembly and is constructed for durability. Please take the time to read and follow the assembly instructions carefully. If a part or hardware is missing or you have any difficulties in assembling this product,

ASSEMBLY INSTRUCTION

PARTLIST		1	2		
A x 1 	D x 2 			 <p>Diagram 1 shows the seat assembly process. A seat cushion (A) is being attached to a metal frame (B). The frame has four vertical legs and a curved base. The seat is being secured to the top of the frame using four screws (D) and four washers (E). The screws (D) are being inserted through the seat (A) and the washers (E) into the frame (B). The screws (D) are being inserted through the seat (A) and the washers (E) into the frame (B).</p>	 <p>Diagram 2 shows the completed chair. The seat (A) is fully attached to the frame (B), resulting in a chair with a curved base and a seat cushion.</p>
B x 1 	E x 4 				
C x 2 	F x 1 