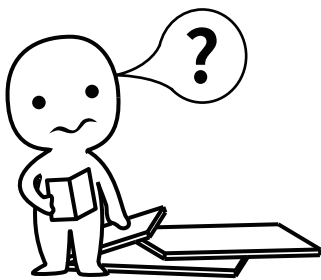


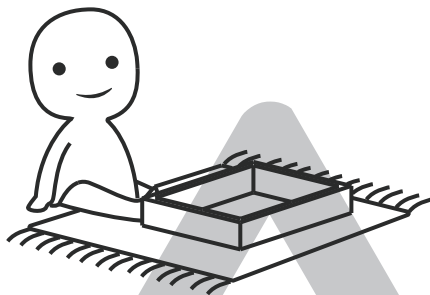
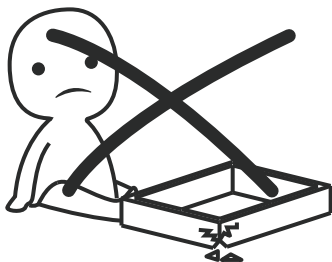
INSTALLATION

Product Manual



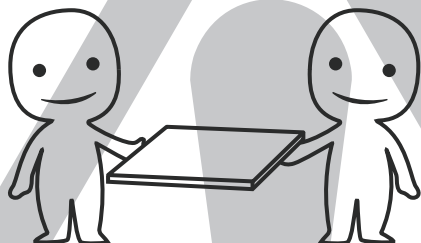
IMPORTANT INFORMATION!

please read the entire manual before starting to assemble and/or using this product follow the manual thoroughly and keep it for further reference.



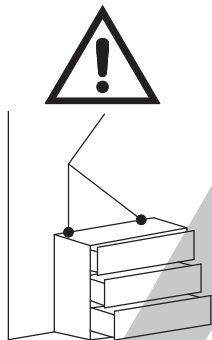
AVOID SCRATCHES!

In order to avoid scratching this furniture should be assembled on a soft layer-could be a rug.



IMPROVE EFFICIENCY !

Try to find a partner to install with you, which can speed up the installation efficiency and shorten the time.



ANTI-TOPPLE WARNING !

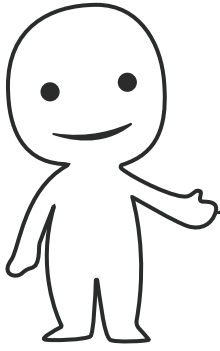
Overturnd furniture can cause serious or fatal crush injuries. To prevent tipping over, be sure to use the wall attachment, if not included with this product. Please purchase the wall attachment that fit your wall. If unsure, seek professional advice. Please read and follow each step of the instructions carefully.

IMPORTANT !

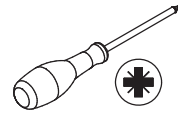
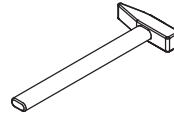
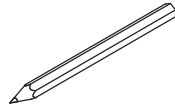
It is important that any product which is assembled using any kind of screw is re-tightened 2 weeks after assembly, and once every 3 months - in order to assure stability through-out the lifespan of the product.

For regular maintenance and cleaning of the product, for the frame, please use a rag dipped in neutral detergent to fully wipe it, and then dry it with a clean rag. For glass materials, wipe with a rag dampened with water glass cleaner, and then dry with a dry rag.

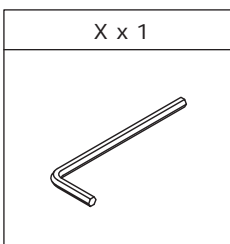
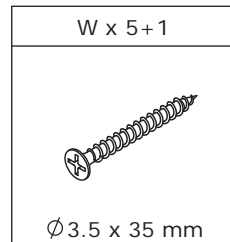
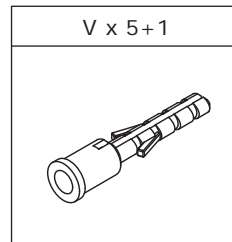
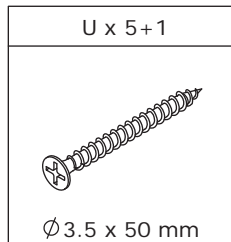
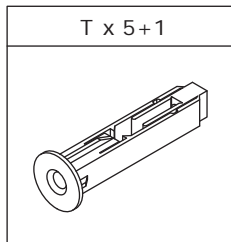
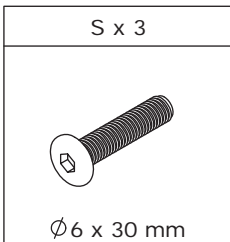
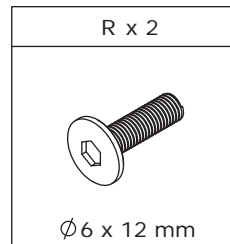
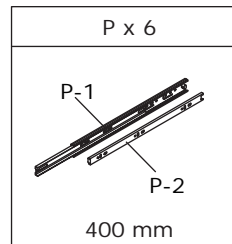
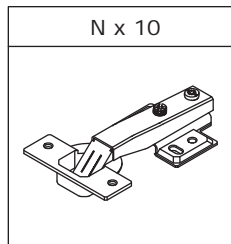
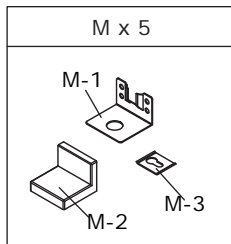
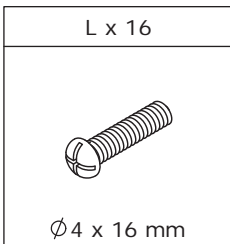
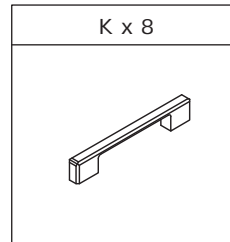
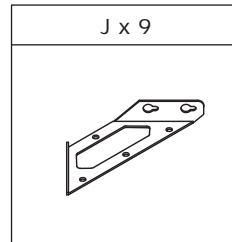
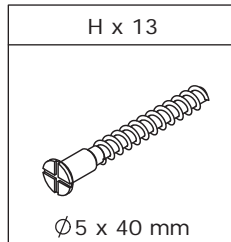
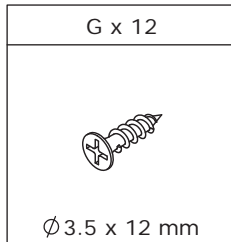
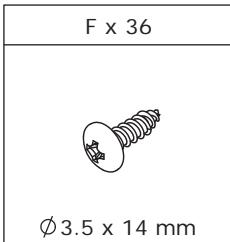
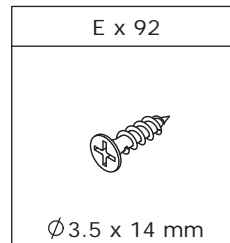
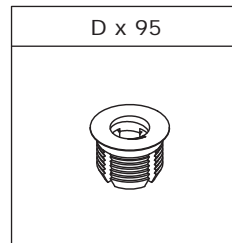
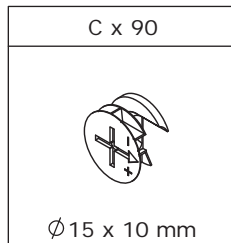
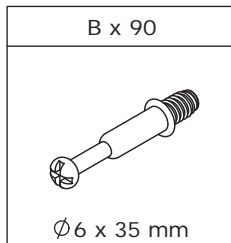
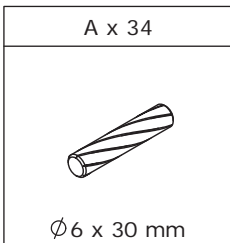
Do not use an electric screwdriver, and do not use too much force when installing, because the board is easy to break.

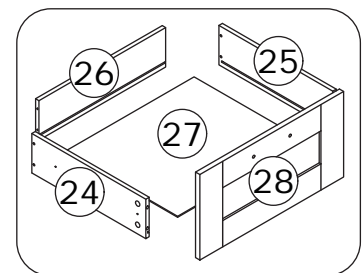
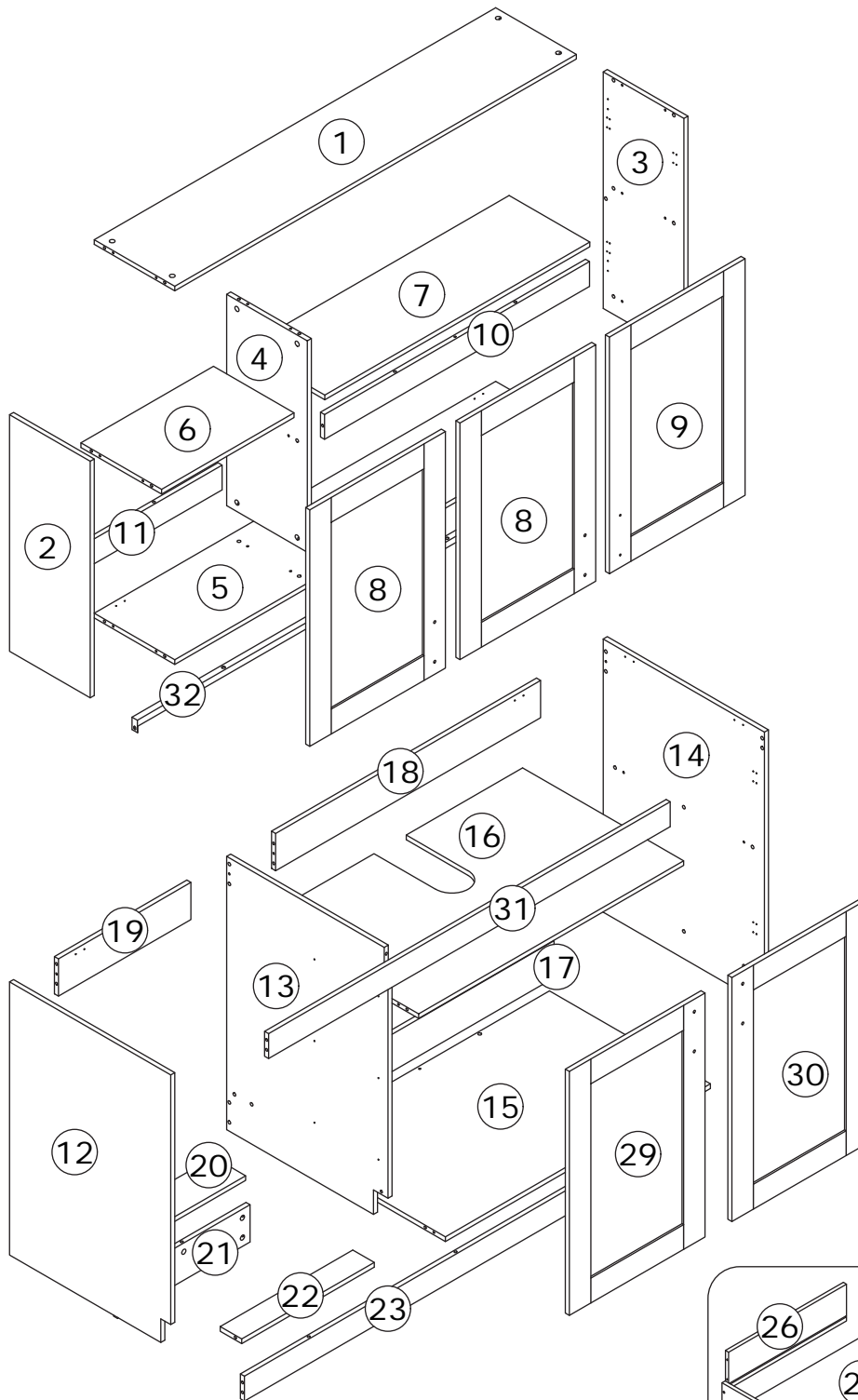


Please prepare the following tools

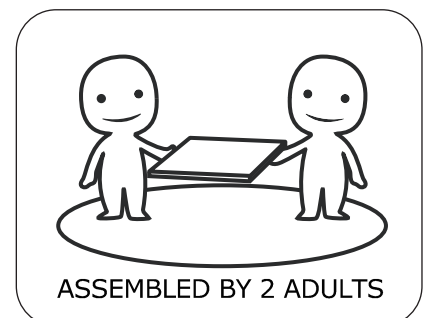


When installing, please carefully confirm whether each screw corresponds to the manual, accessories with similar shapes can be distinguished by size





x3



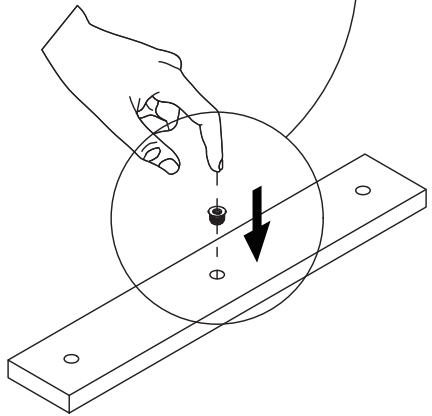
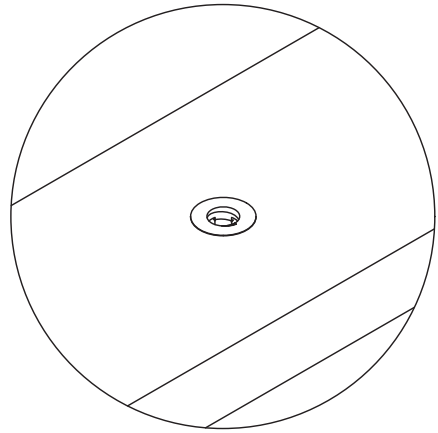
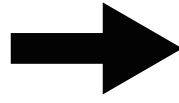
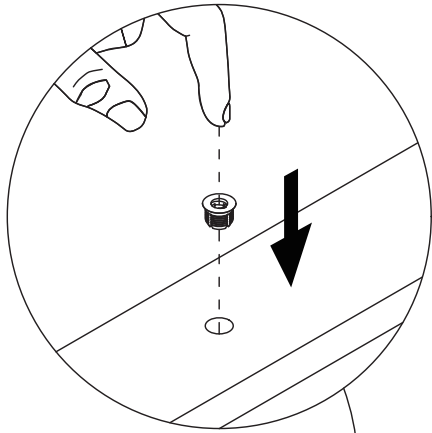
⚠ WARNING



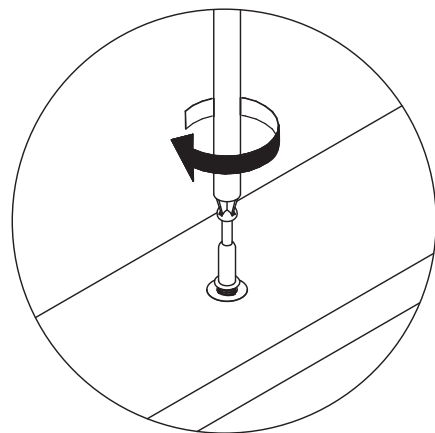
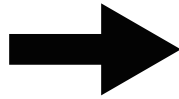
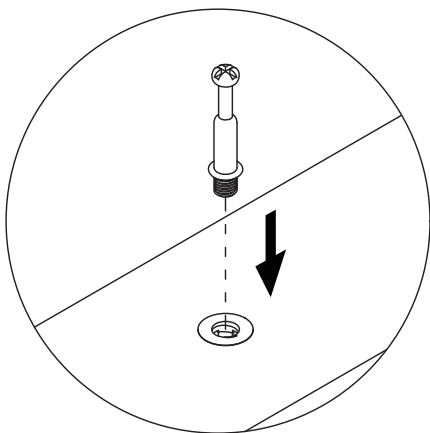
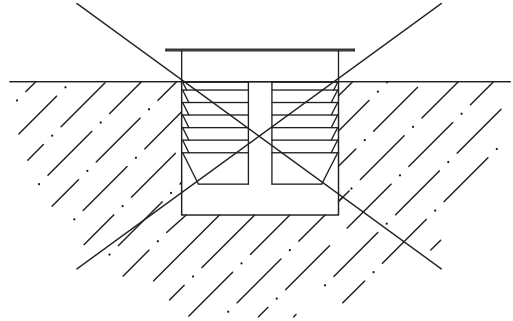
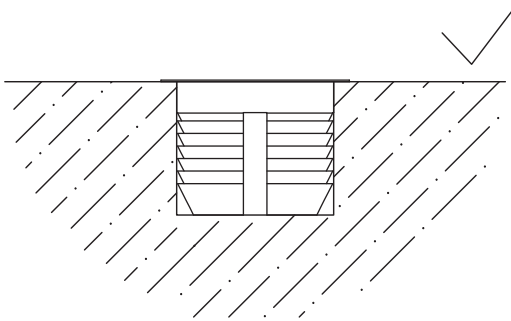
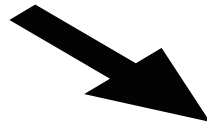
Children have died from furniture tipover. To reduce the risk of furniture tipover:

- ALWAYS install Anti-tip device provided.
- NEVER put a TV on this product.
- NEVER allow children to stand, climb or hang on drawers, doors, or shelves.
- NEVER open more than one drawer at a time.
- Place heaviest items in the lowest drawers.

*This is a permanent label.
Do not remove!*



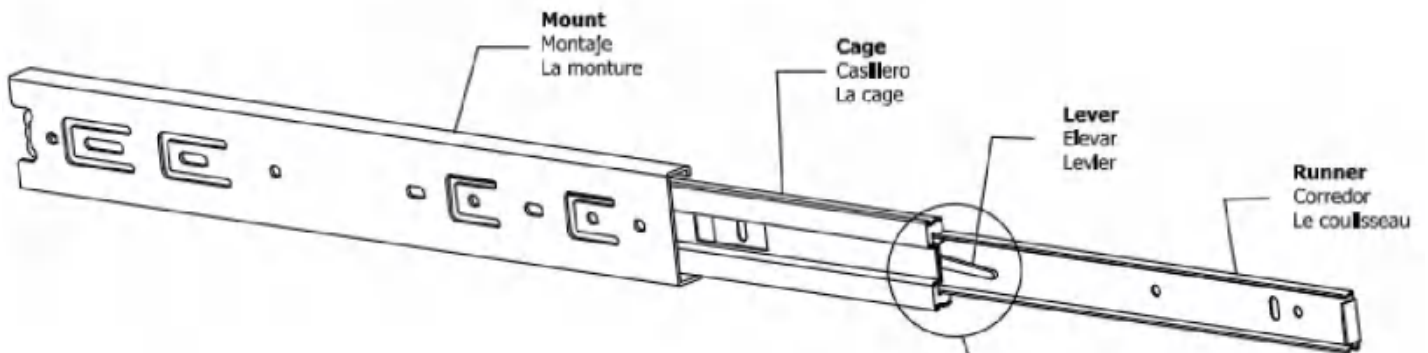
OR



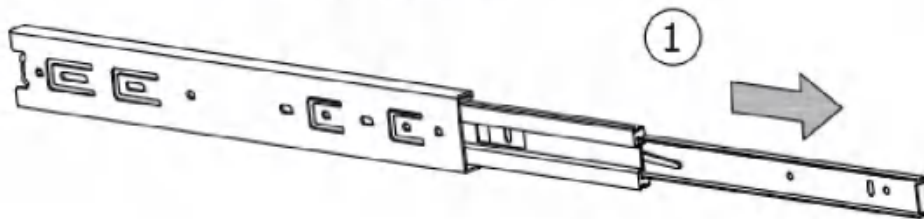
Slides Must Be Separated Before Assembly.
After Separated, Set Aside Until Needed for Assembly.

Las diapositivas deben separarse antes del montaje.
Después de la separación, déjelo a un lado hasta que sea necesario.

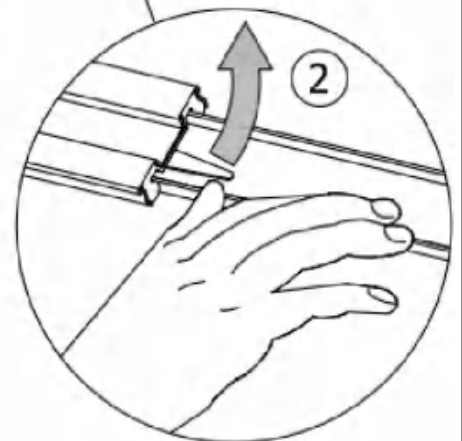
Les glissières doivent être séparées avant l'assemblage.
Après la séparation, mettez de côté jusqu'au moment de l'assemblage.



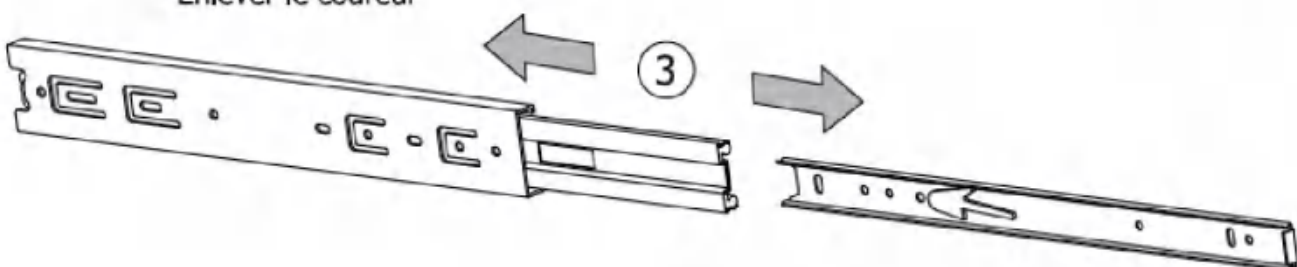
STEP 1: Extend Slide
Extender la diapositiva
Extendre la diapositive



STEP 2: Push Lever UP
Empujar hacia arriba
Lever le levier

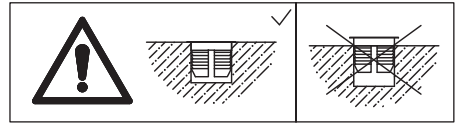


STEP 3: Remove Runner
Quitar el corredor
Enlever le coureur

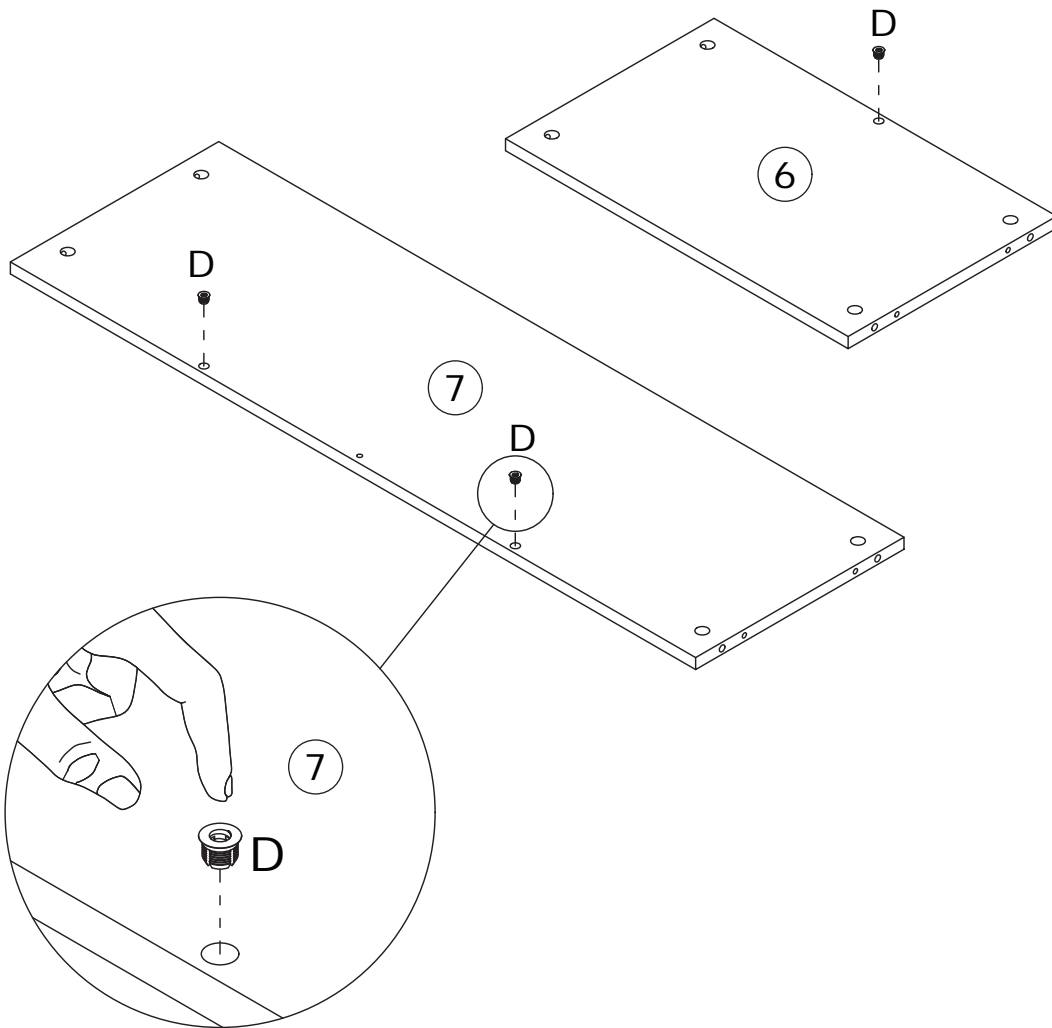


1

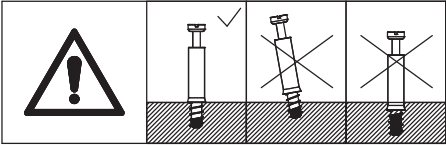
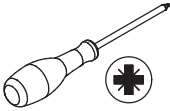
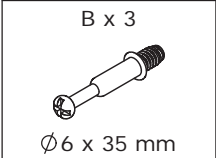
D x 3



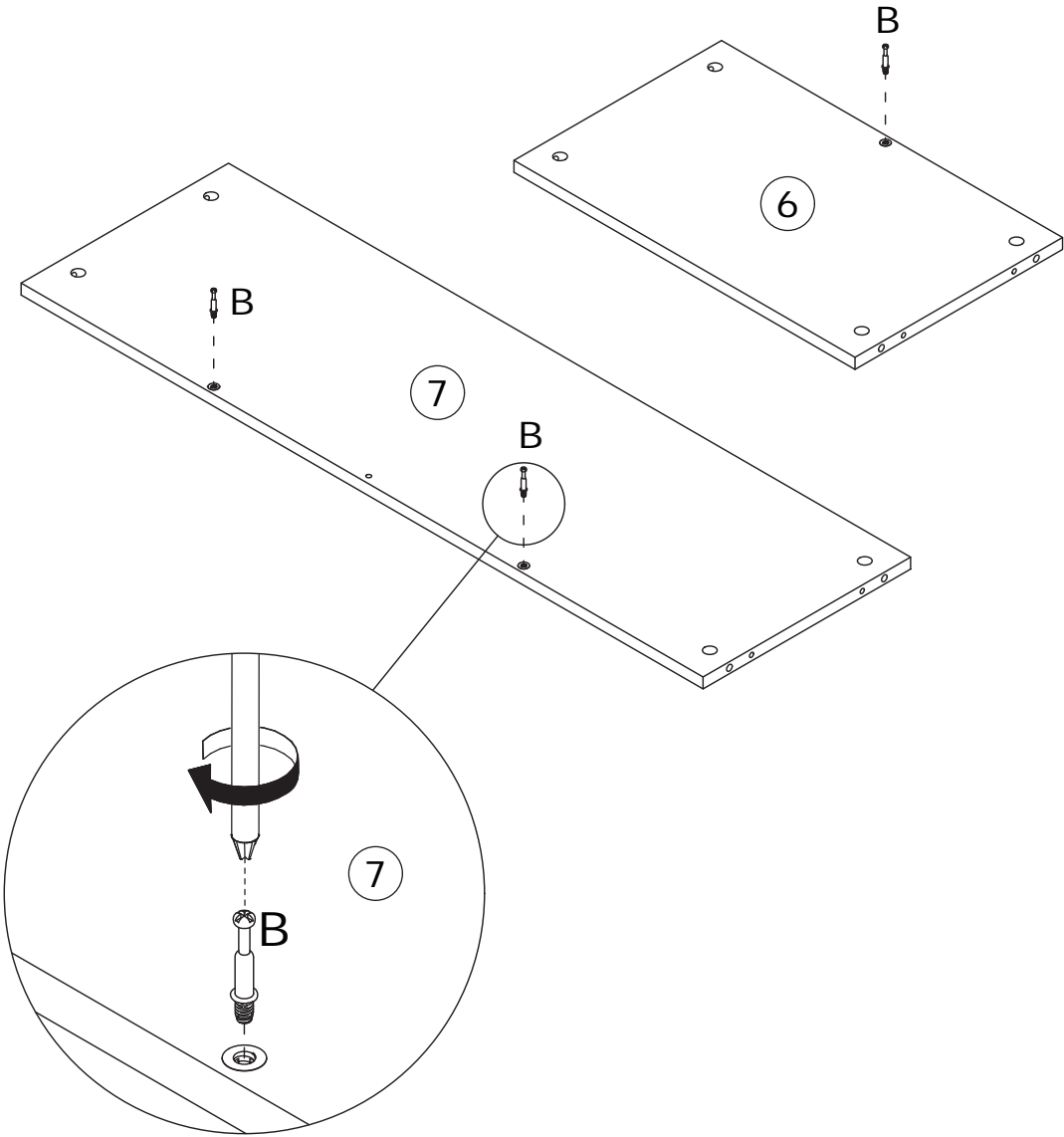
As shown in the diagram, attach part (D) to panel 6 and 7.



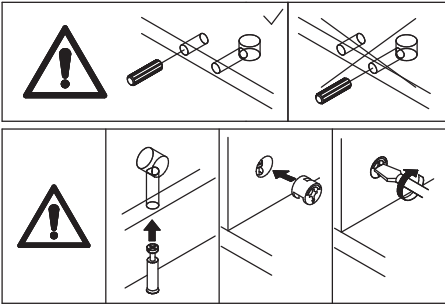
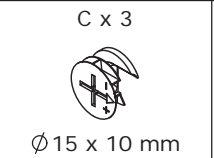
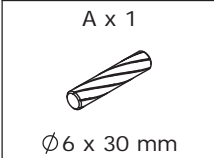
2



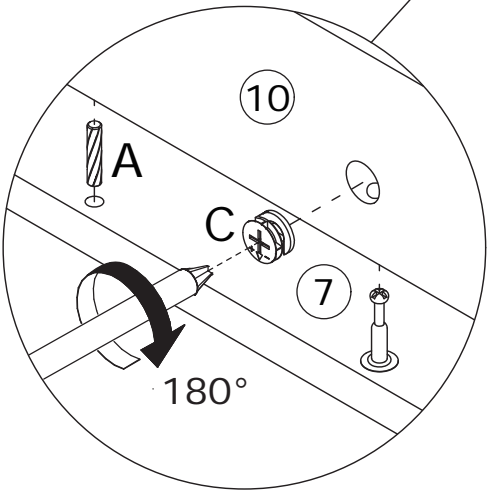
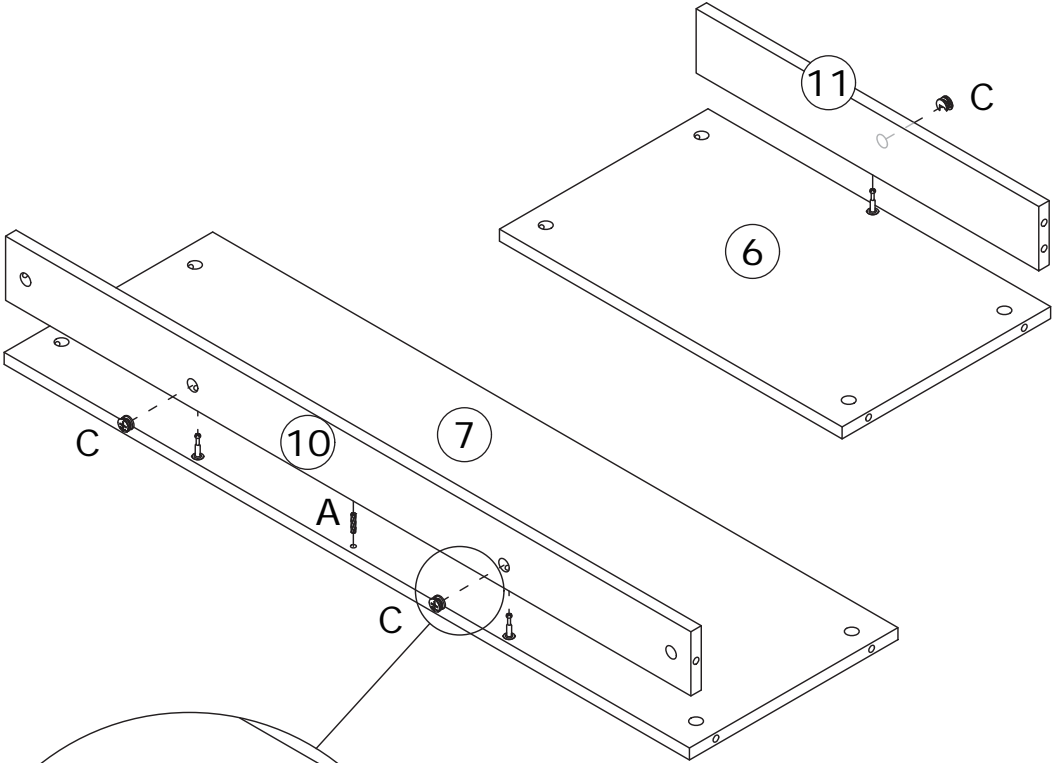
As shown in the diagram, screw the self-tapping rod (B) into panel 6 and 7.



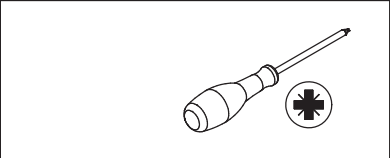
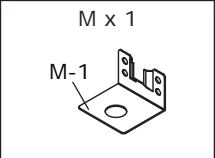
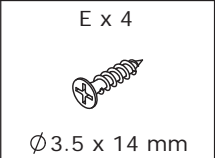
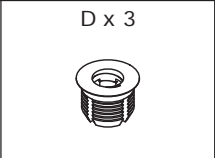
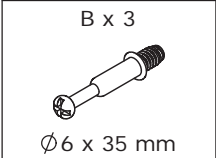
3



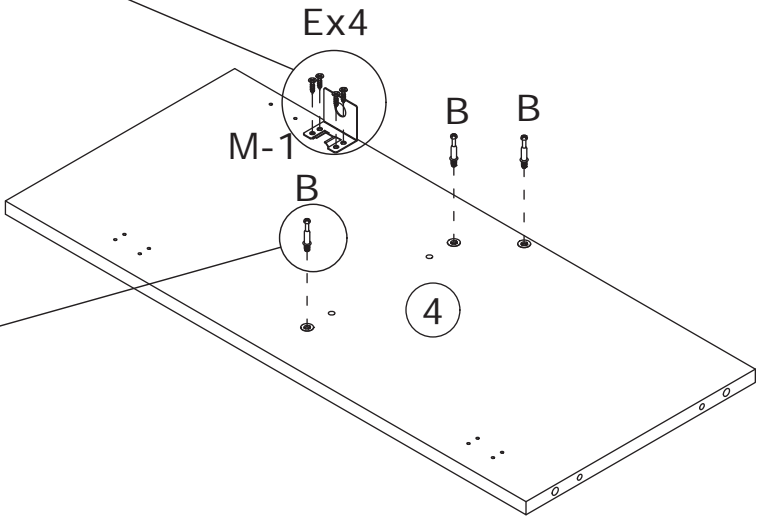
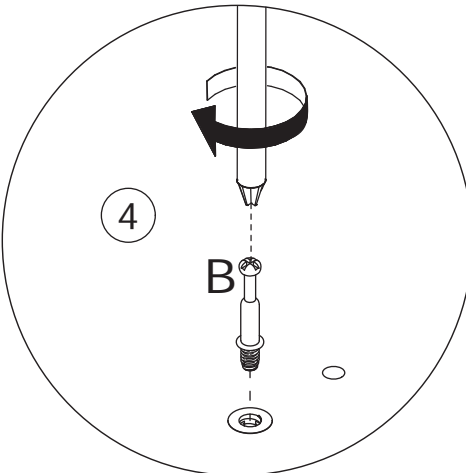
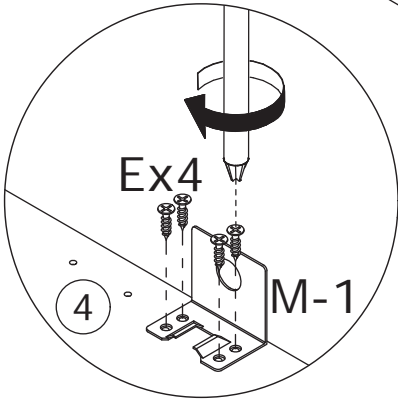
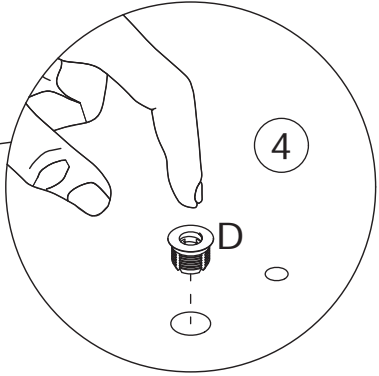
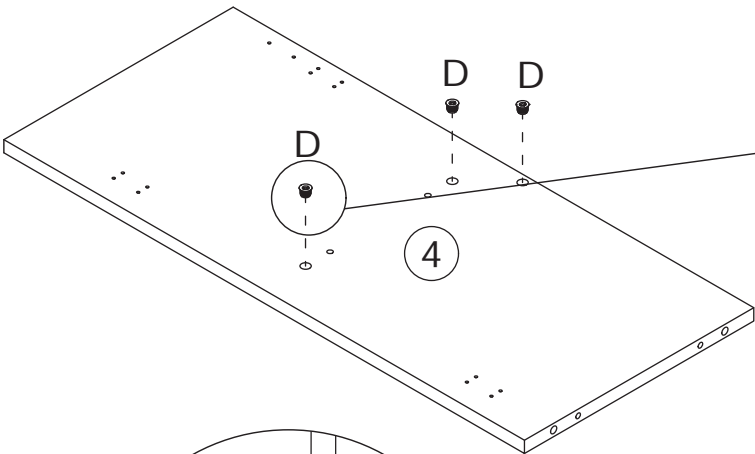
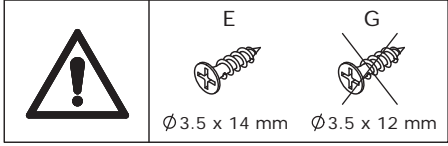
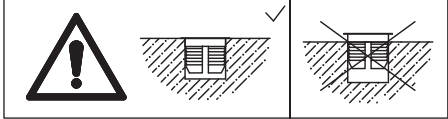
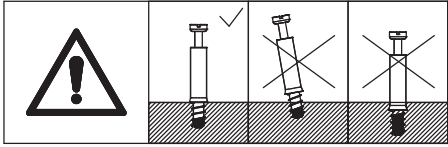
As shown in the diagram, connect panel 10 to panel 7 and panel 11 to panel 6 using dowels (A), then tighten the cam locks (C) by rotating clockwise.



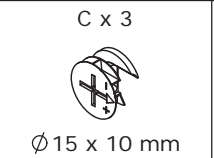
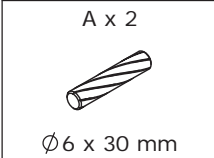
4



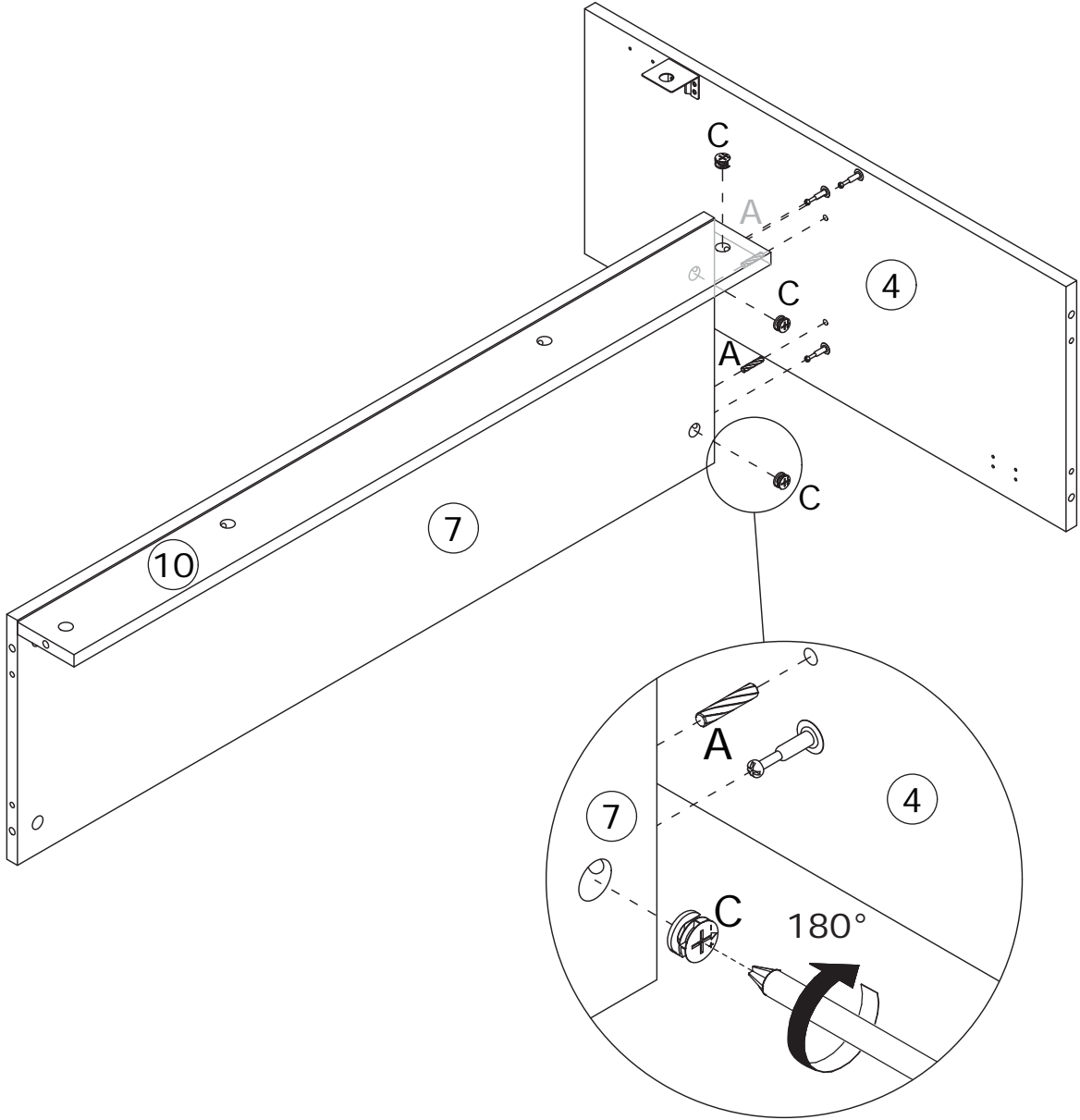
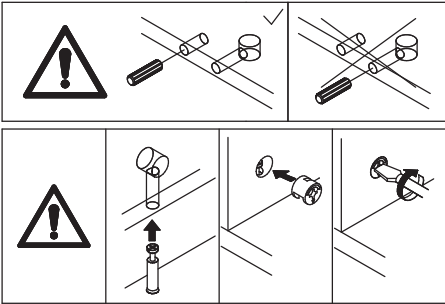
As shown in the diagram, attach part (D) to panel 4, screw the self-tapping rod (B) into and secure part (M-1) using screws (E).



5

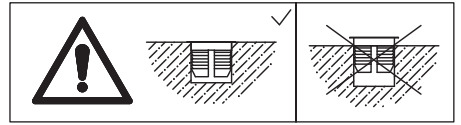


As shown in the diagram, connect panel 4 to panel 7 and 10 using dowels (A), then tighten the cam locks (C) by rotating clockwise.

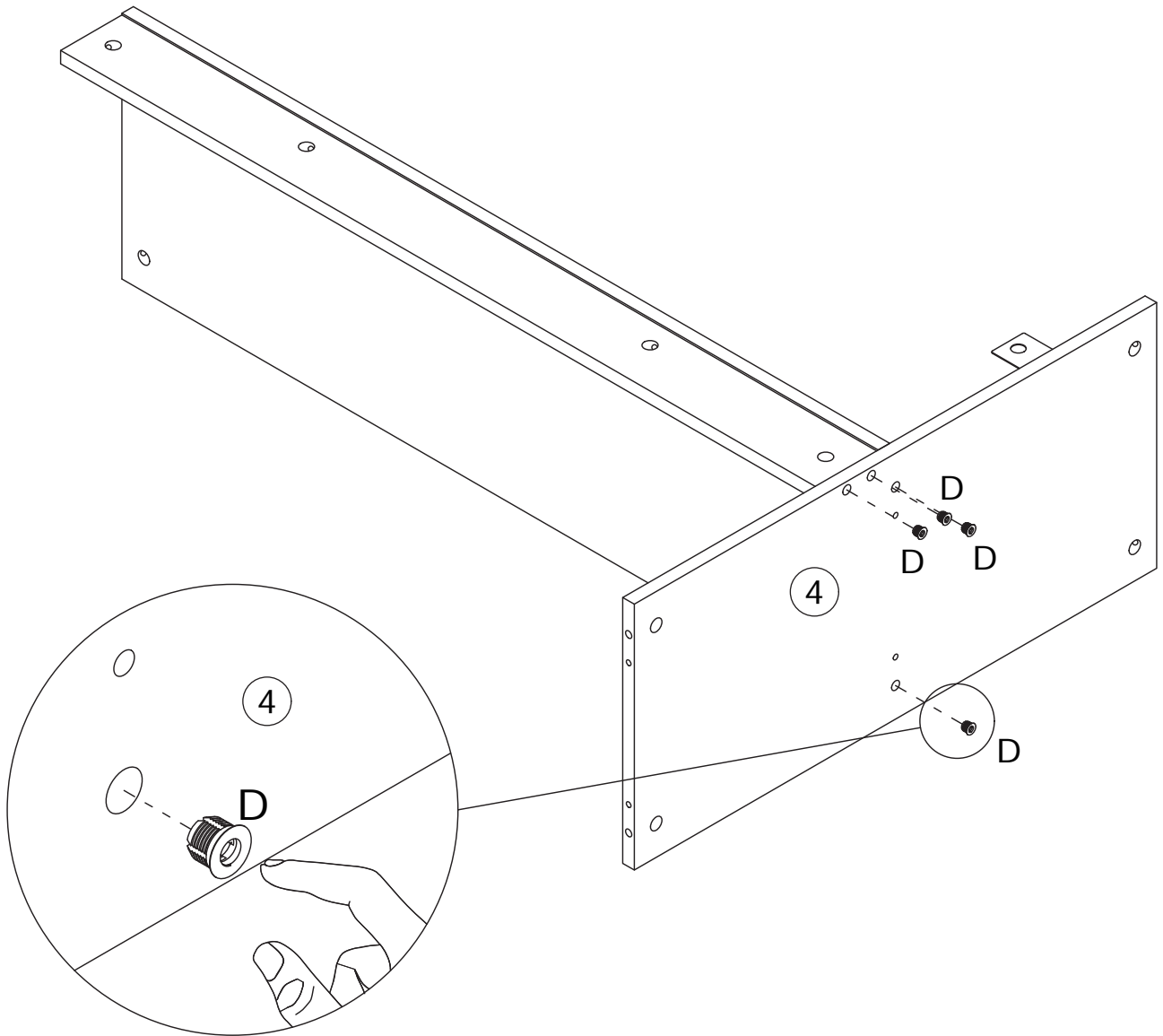


6

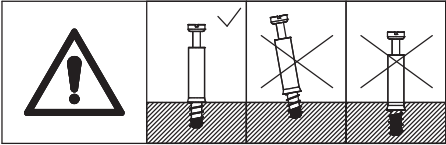
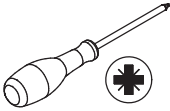
D x 4



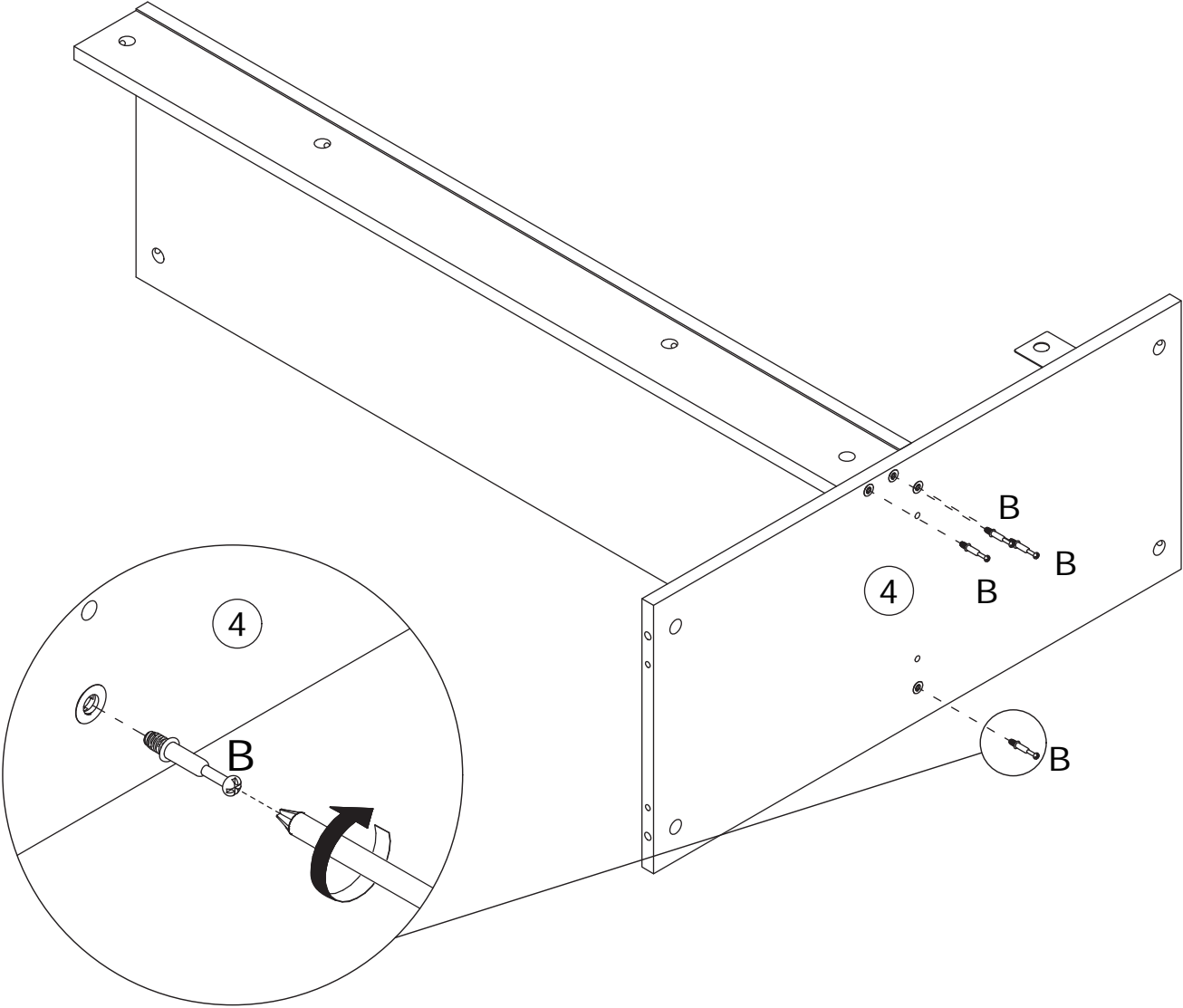
As shown in the diagram,
attach part (D) to panel 4.



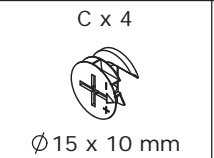
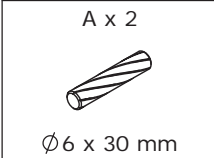
7



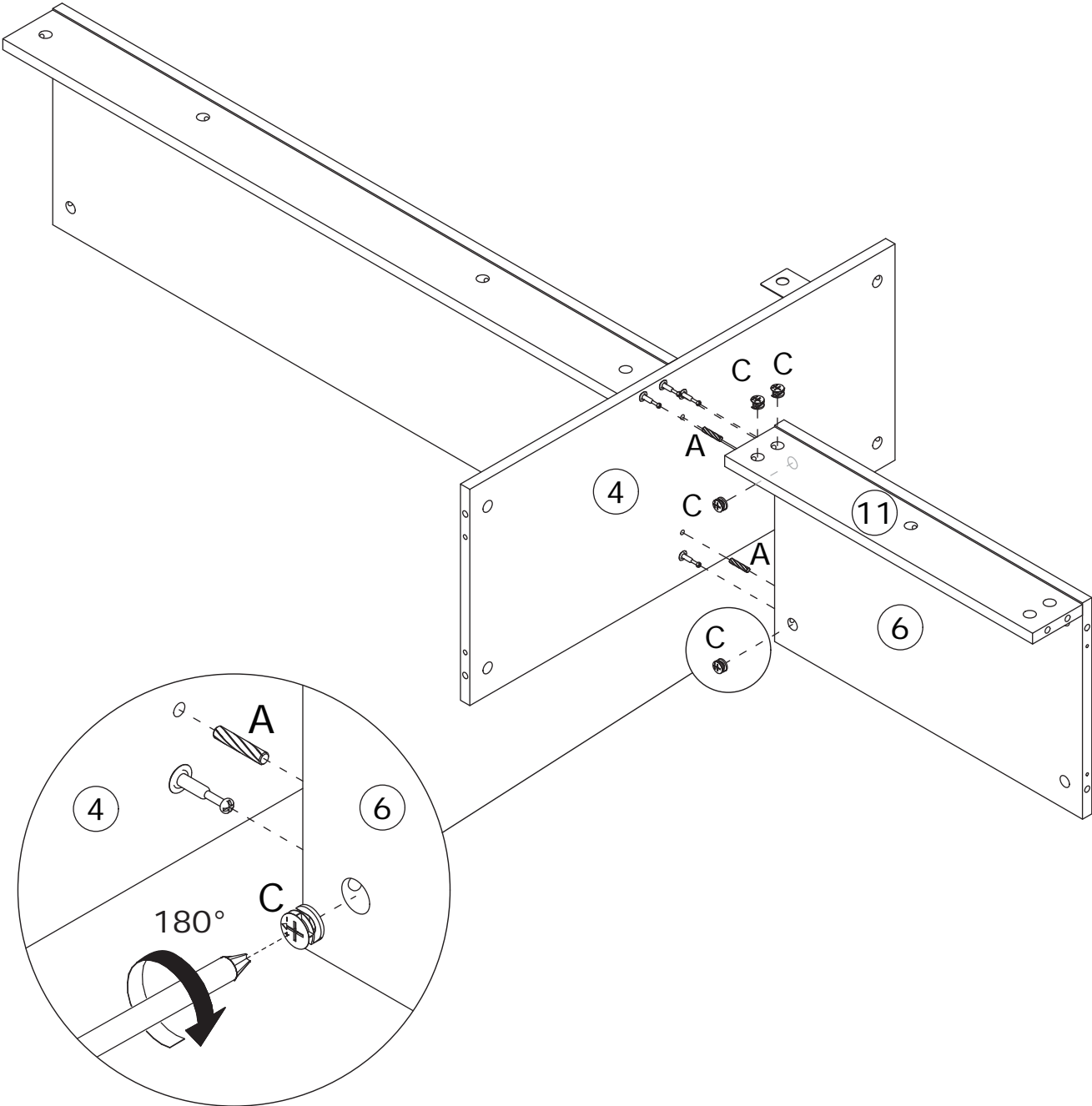
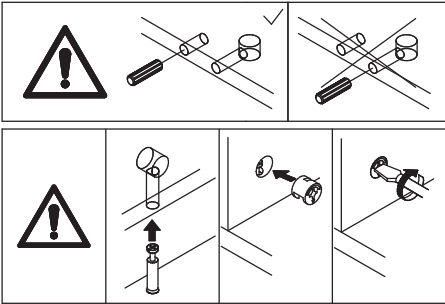
As shown in the diagram, screw the self-tapping rod (B) into panel 4.



8

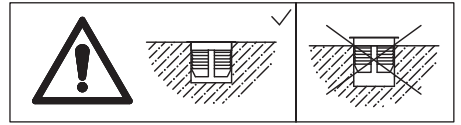


As shown in the diagram, connect panel 4 to panel 6 and 11 using dowels (A), then tighten the cam locks (C) by rotating clockwise.

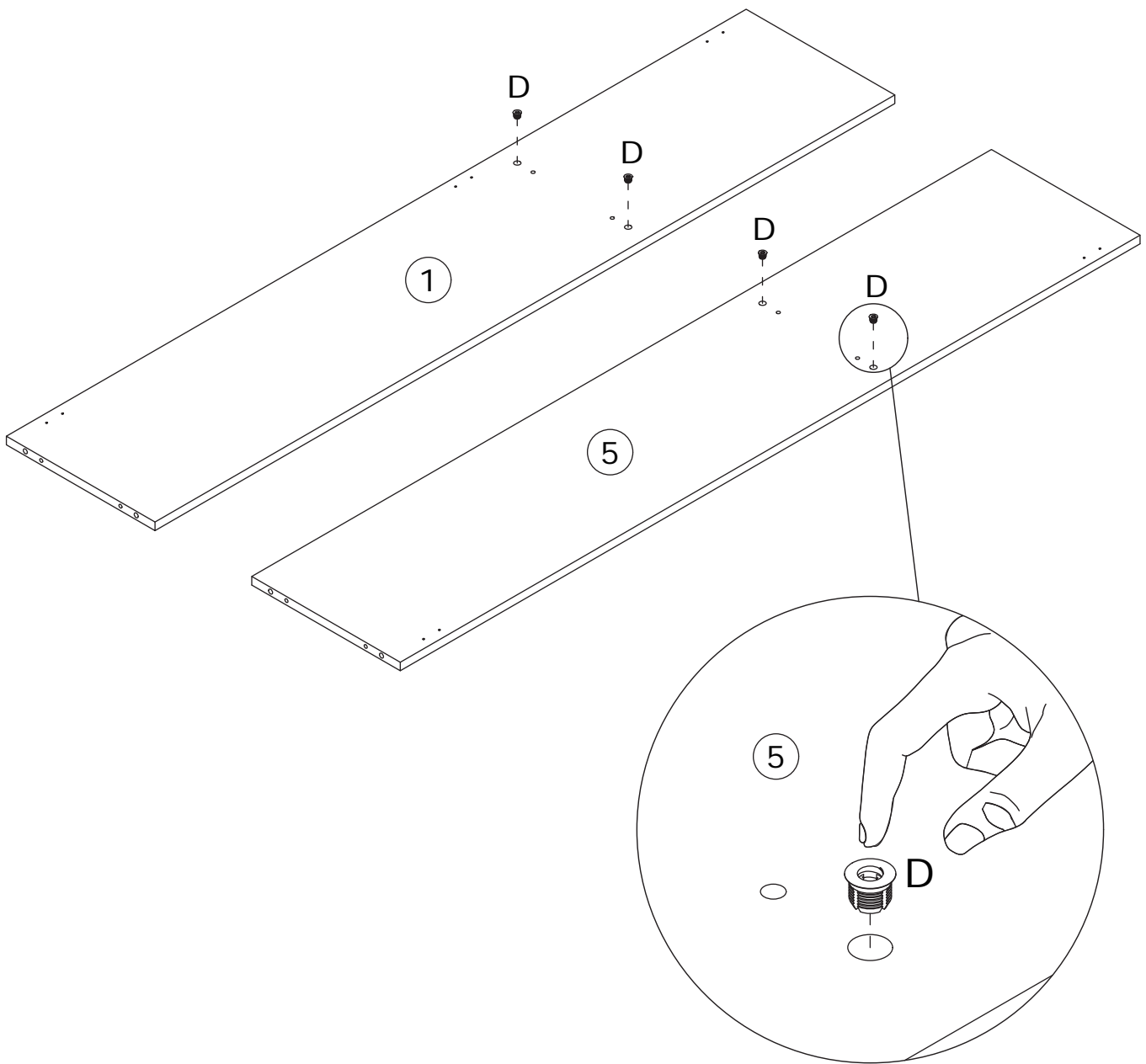


9

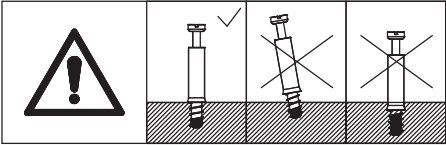
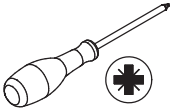
D x 4



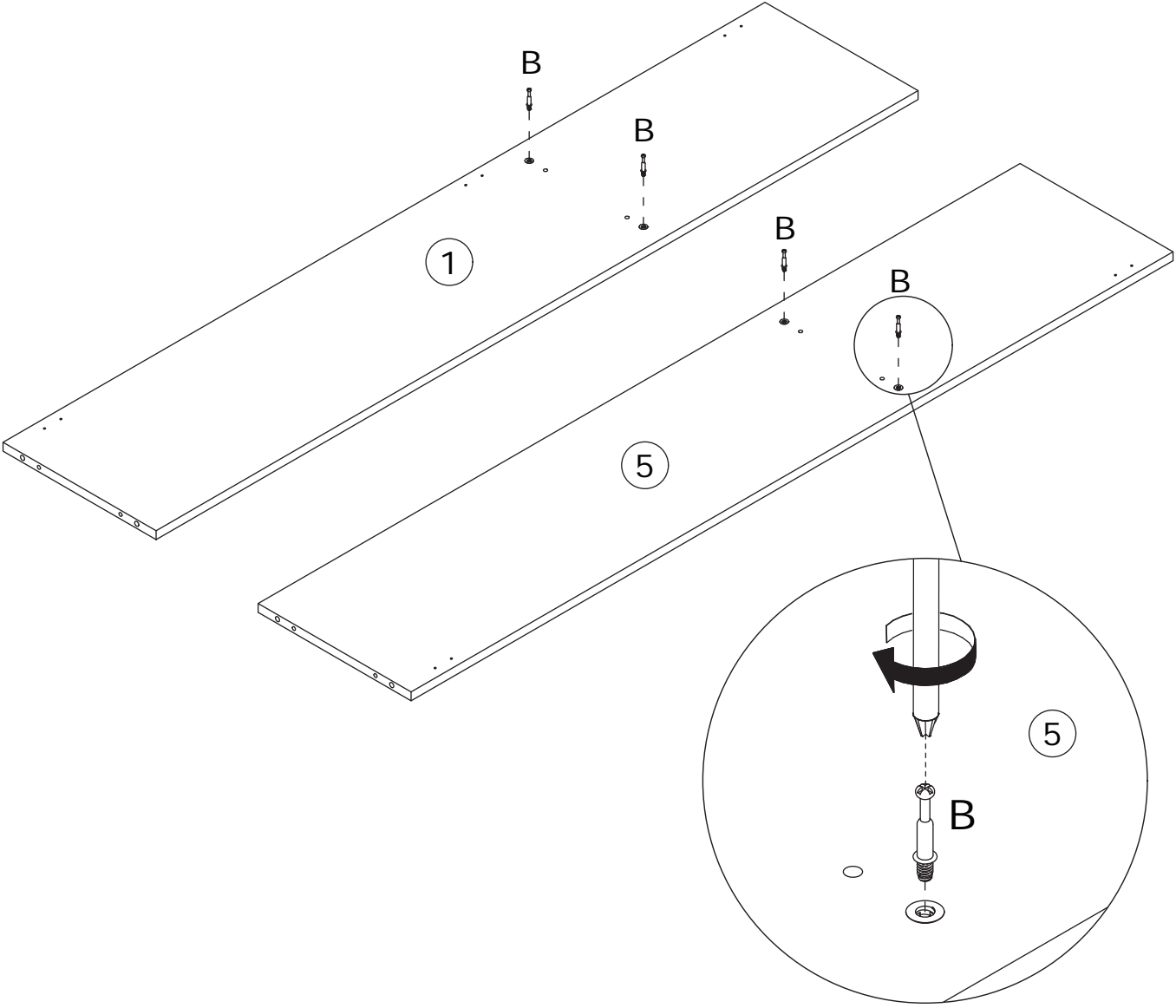
As shown in the diagram, attach part (D) to panel 1 and 5.



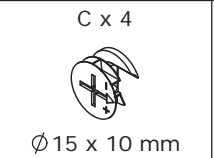
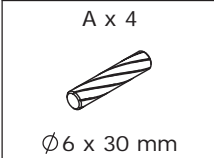
10



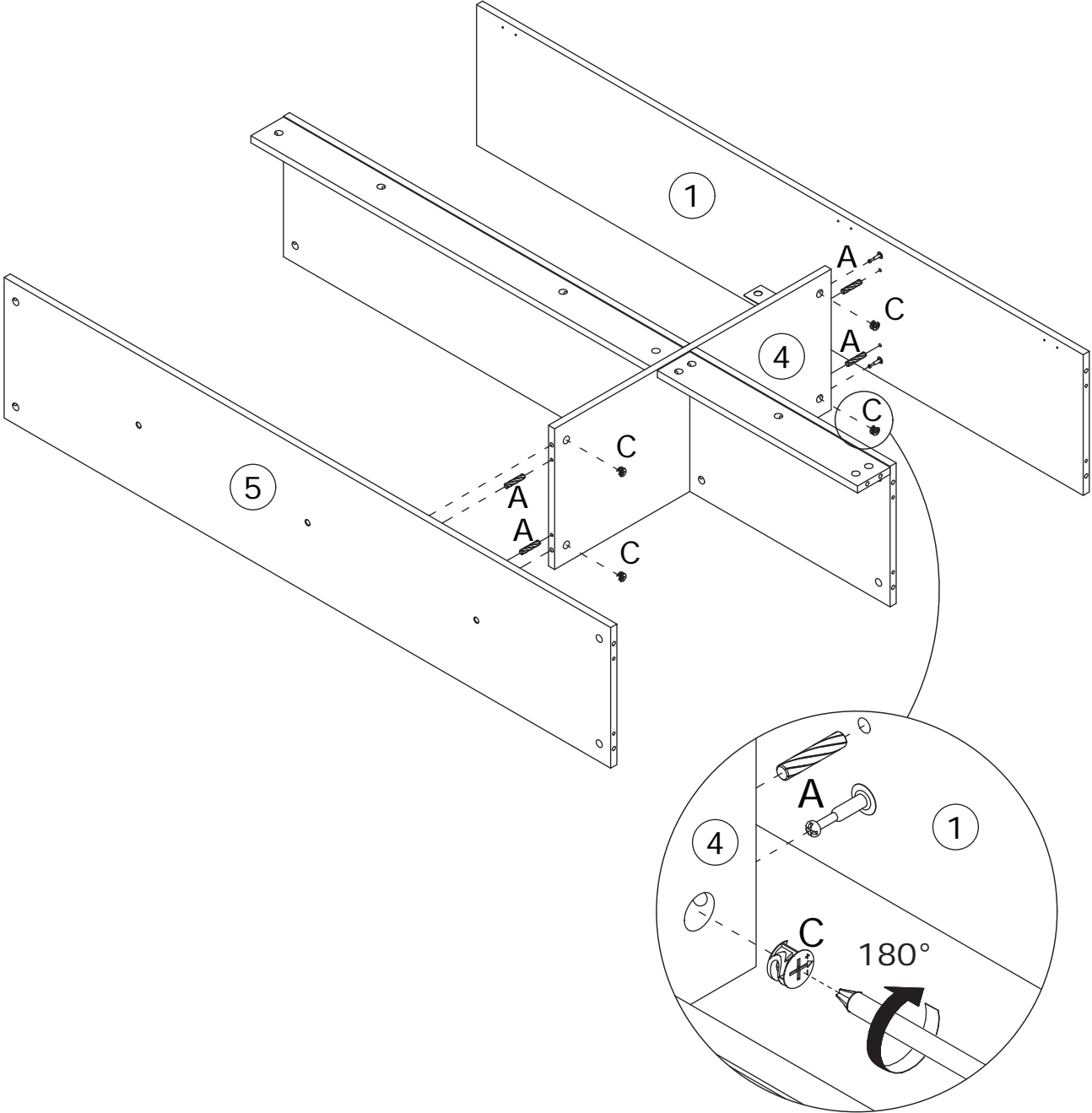
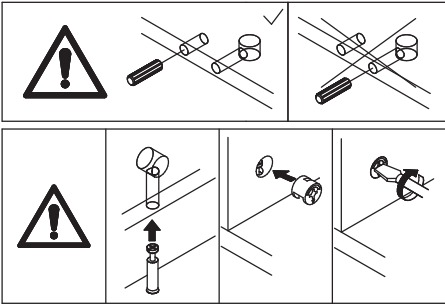
As shown in the diagram, screw the self-tapping rod (B) into panel 1 and 5.



11

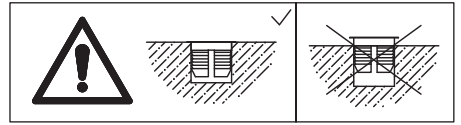


As shown in the diagram, connect panel 4 to panel 1 and 5 using dowels (A), then tighten the cam locks (C) by rotating clockwise.

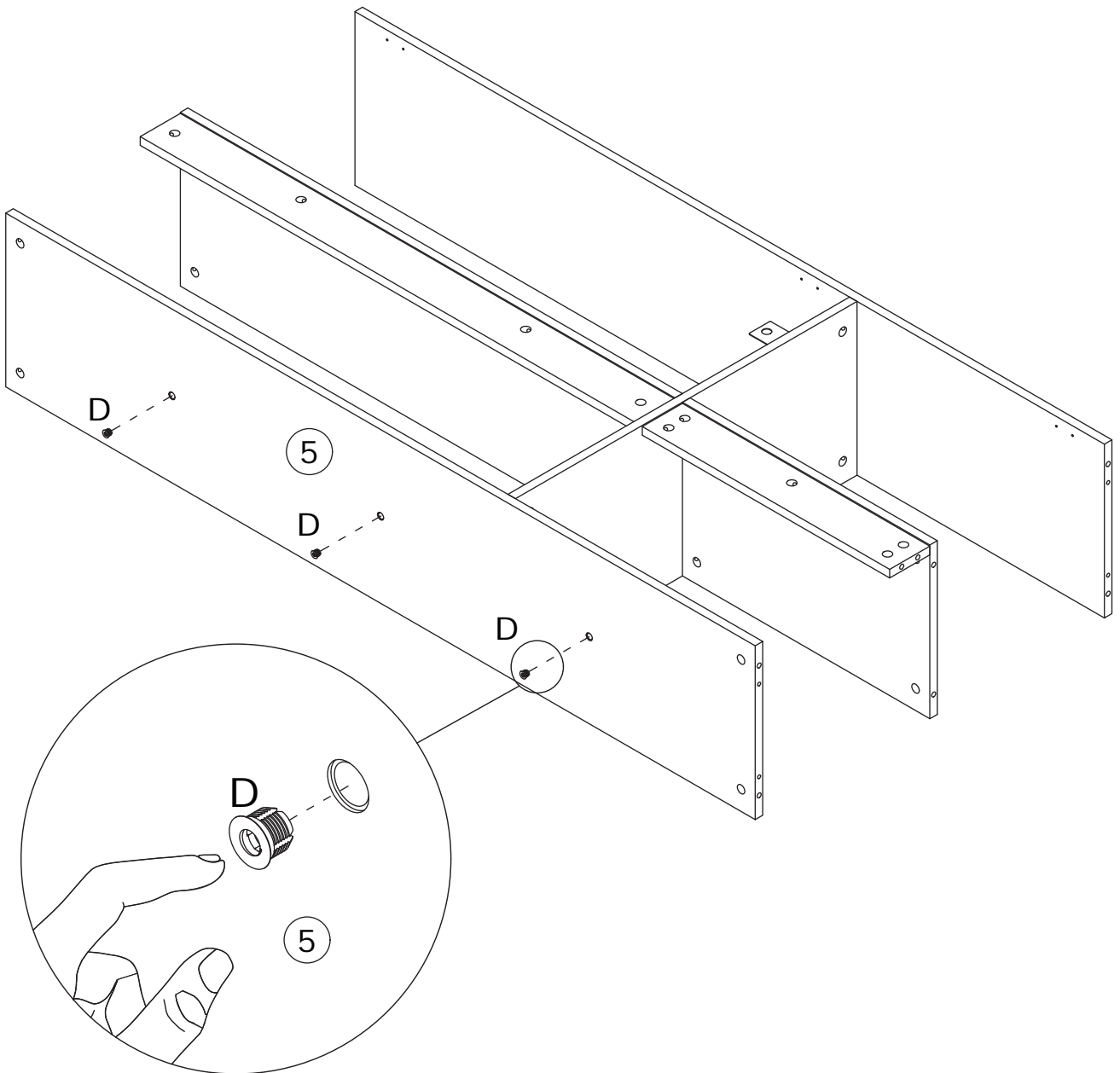


12

D x 3

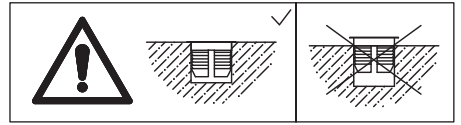


As shown in the diagram,
attach part (D) to panel 5.

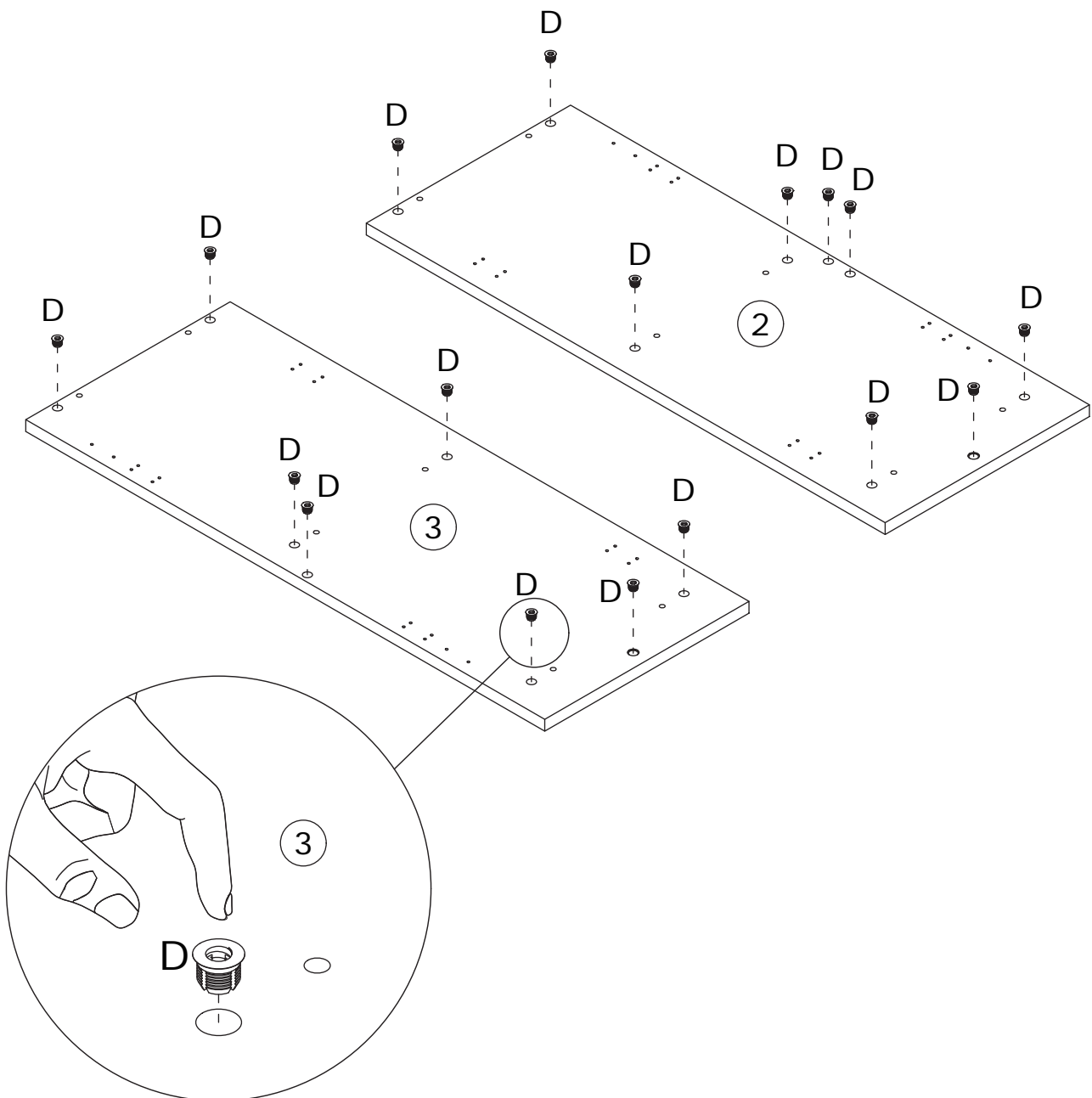


13

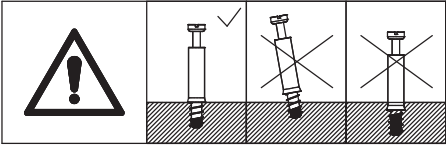
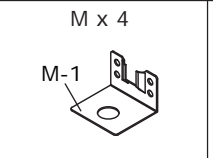
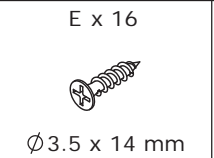
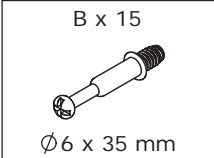
D x 17



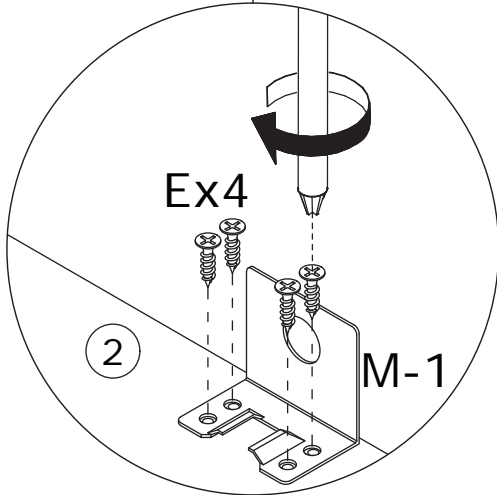
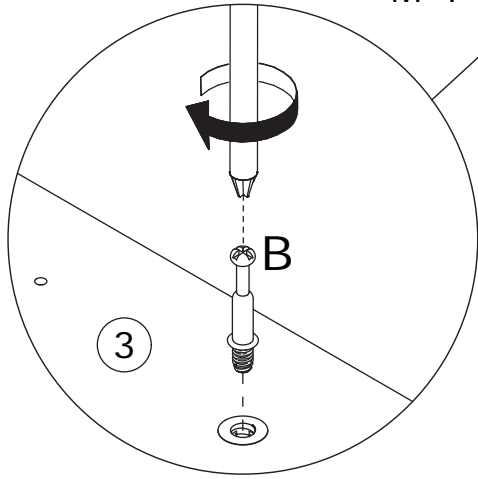
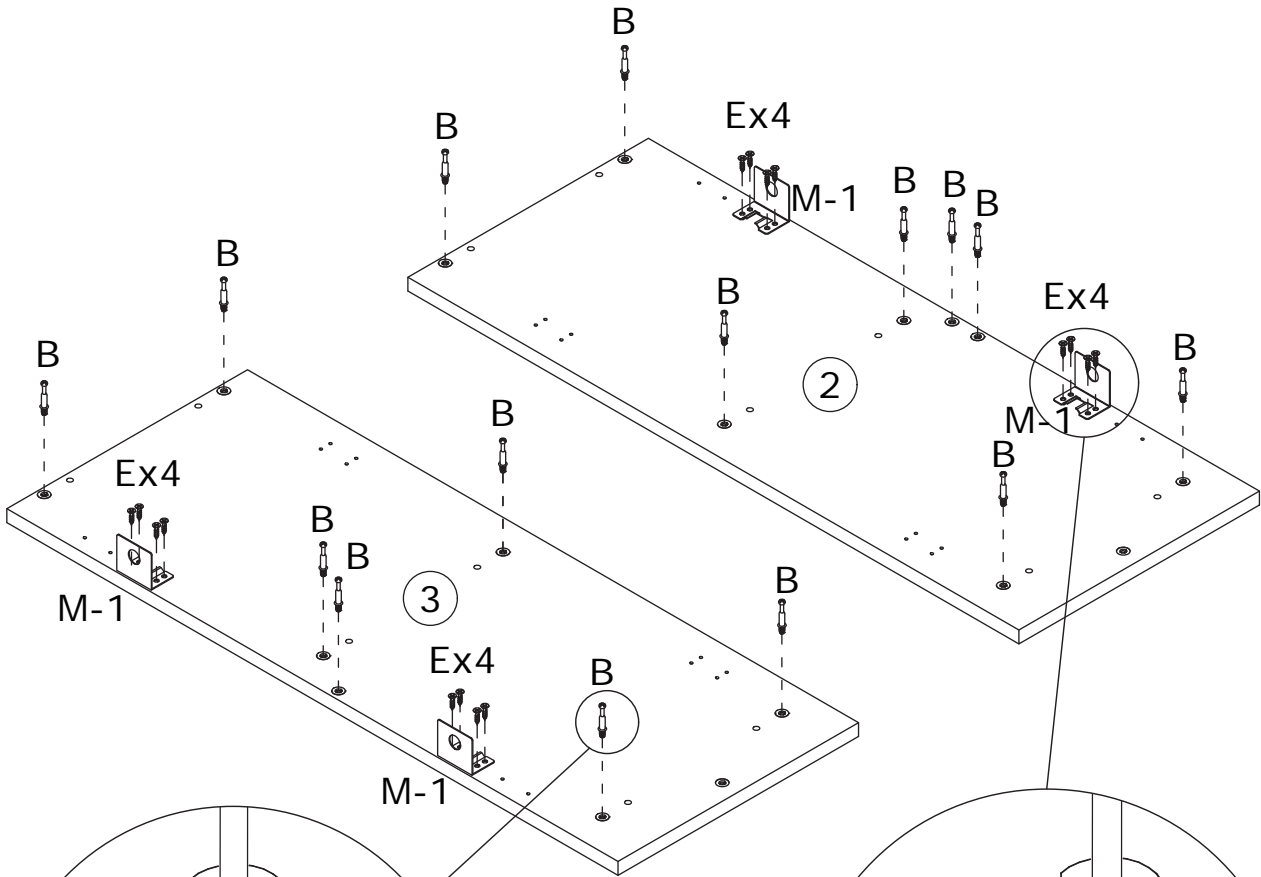
As shown in the diagram, attach part (D) to panel 2 and 3.



14



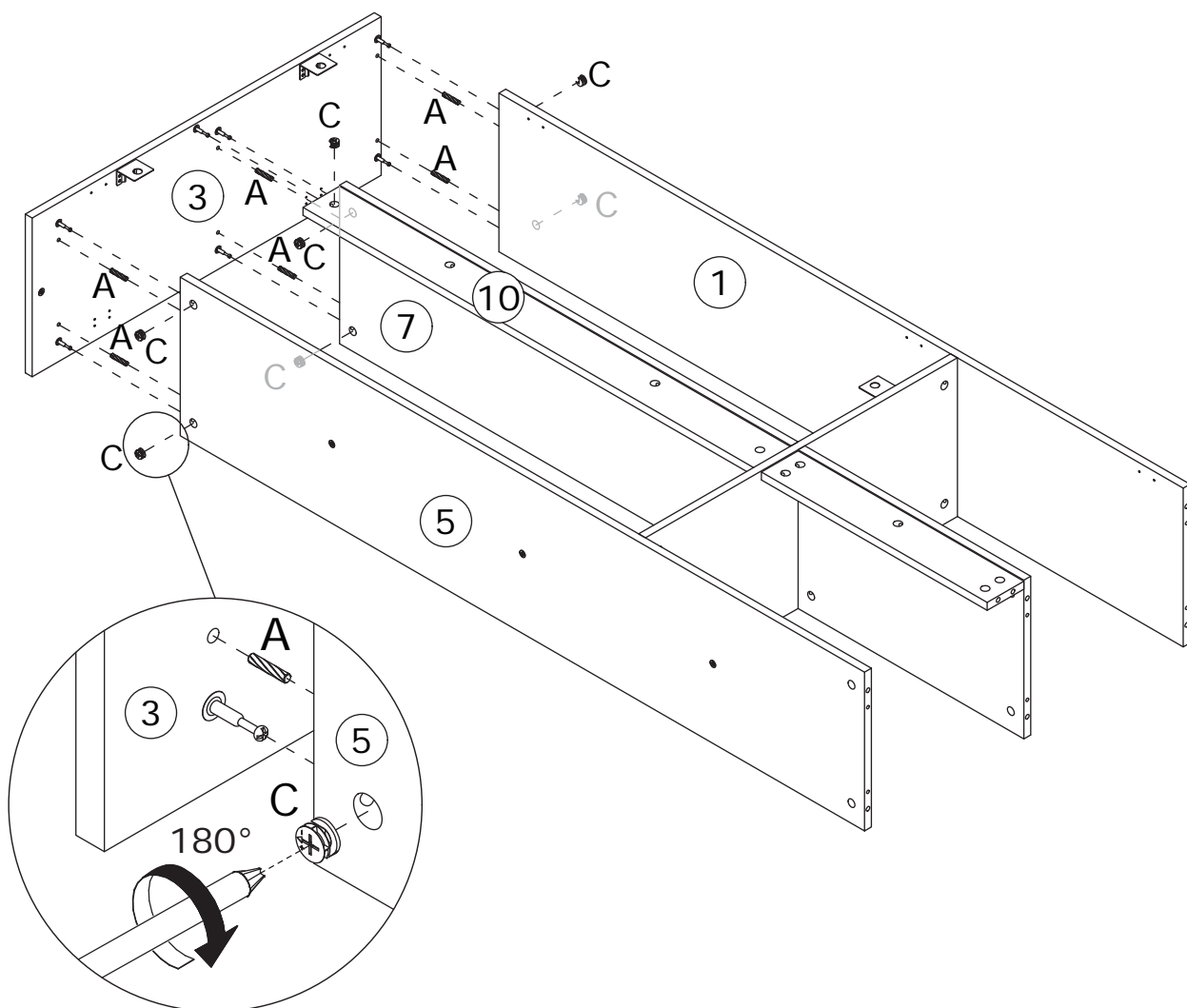
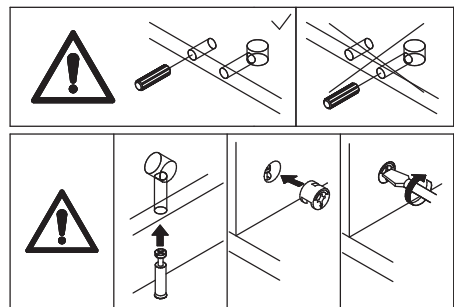
As shown in the diagram, screw the self-tapping rod (B) into panel 2 and 3, and secure part (M-1) using screws (E).



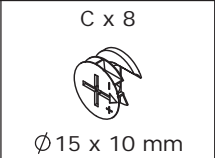
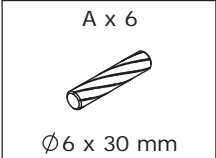
15



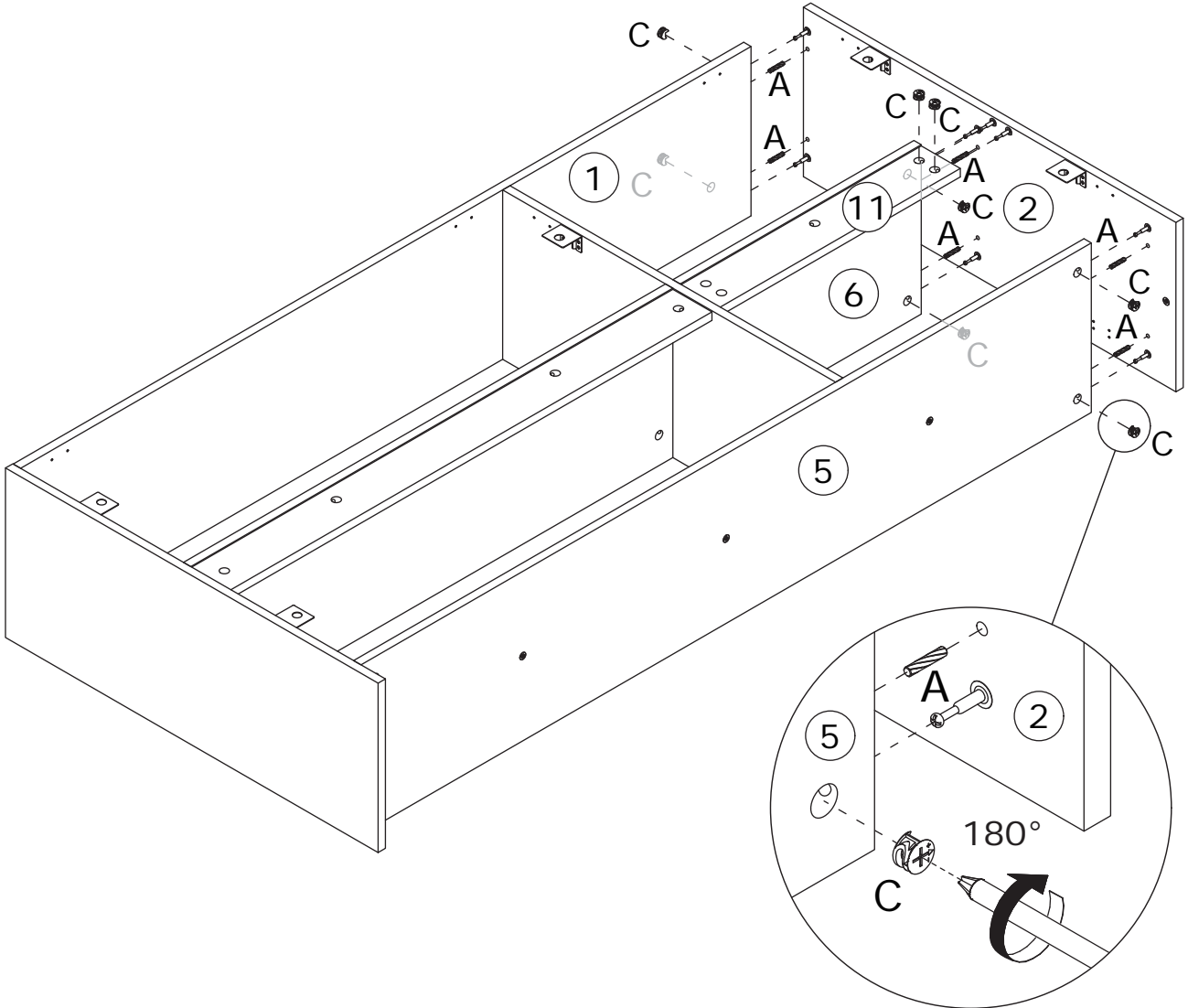
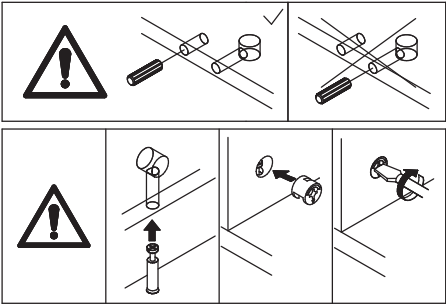
As shown in the diagram, connect panel 3 to the installation unit using dowels (A), then tighten the cam locks (C) by rotating clockwise.



16



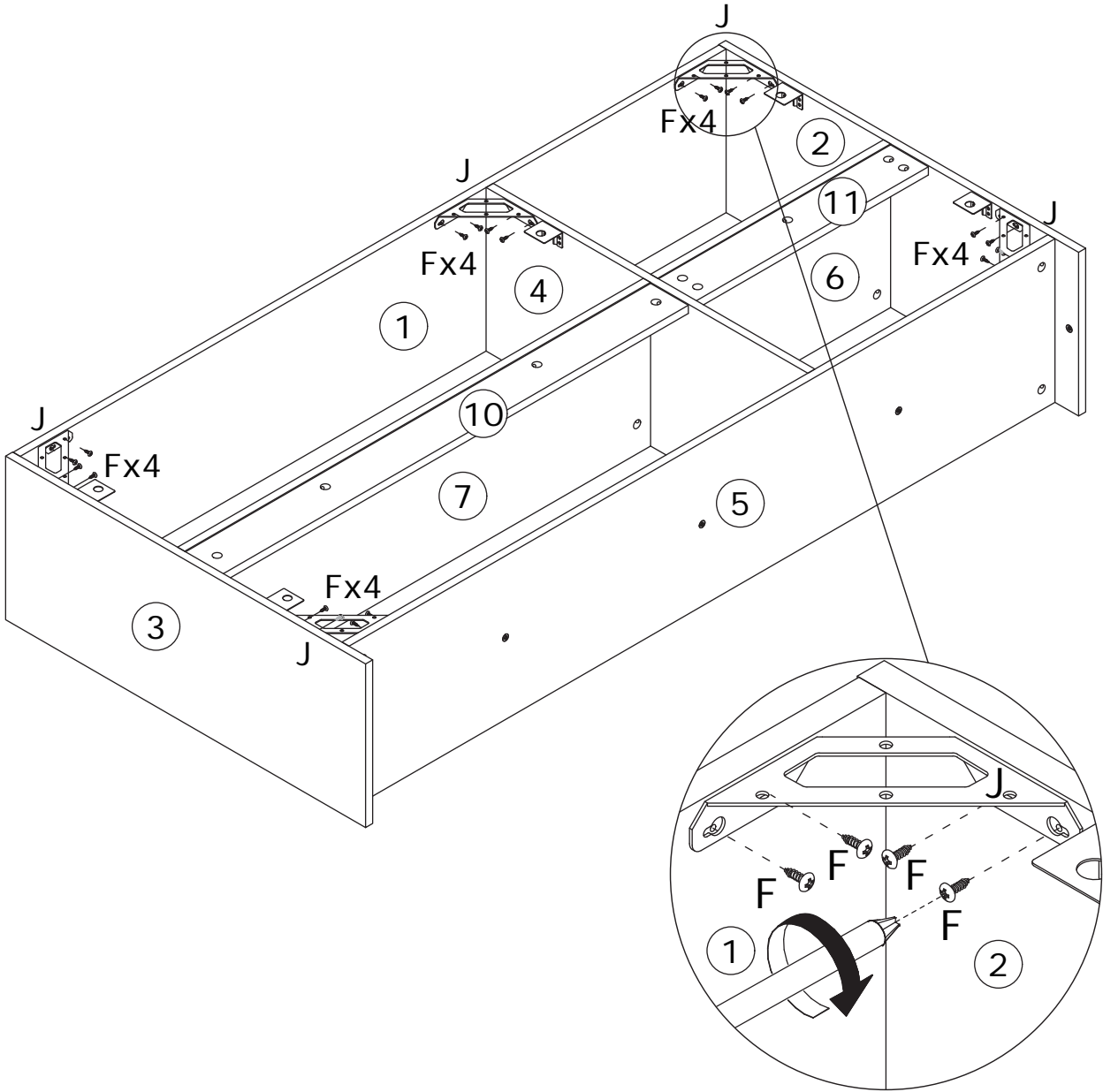
As shown in the diagram, connect panel 2 to the installation unit using dowels (A), then tighten the cam locks (C) by rotating clockwise.



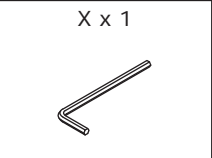
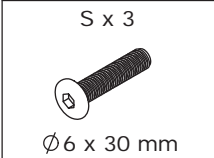
17



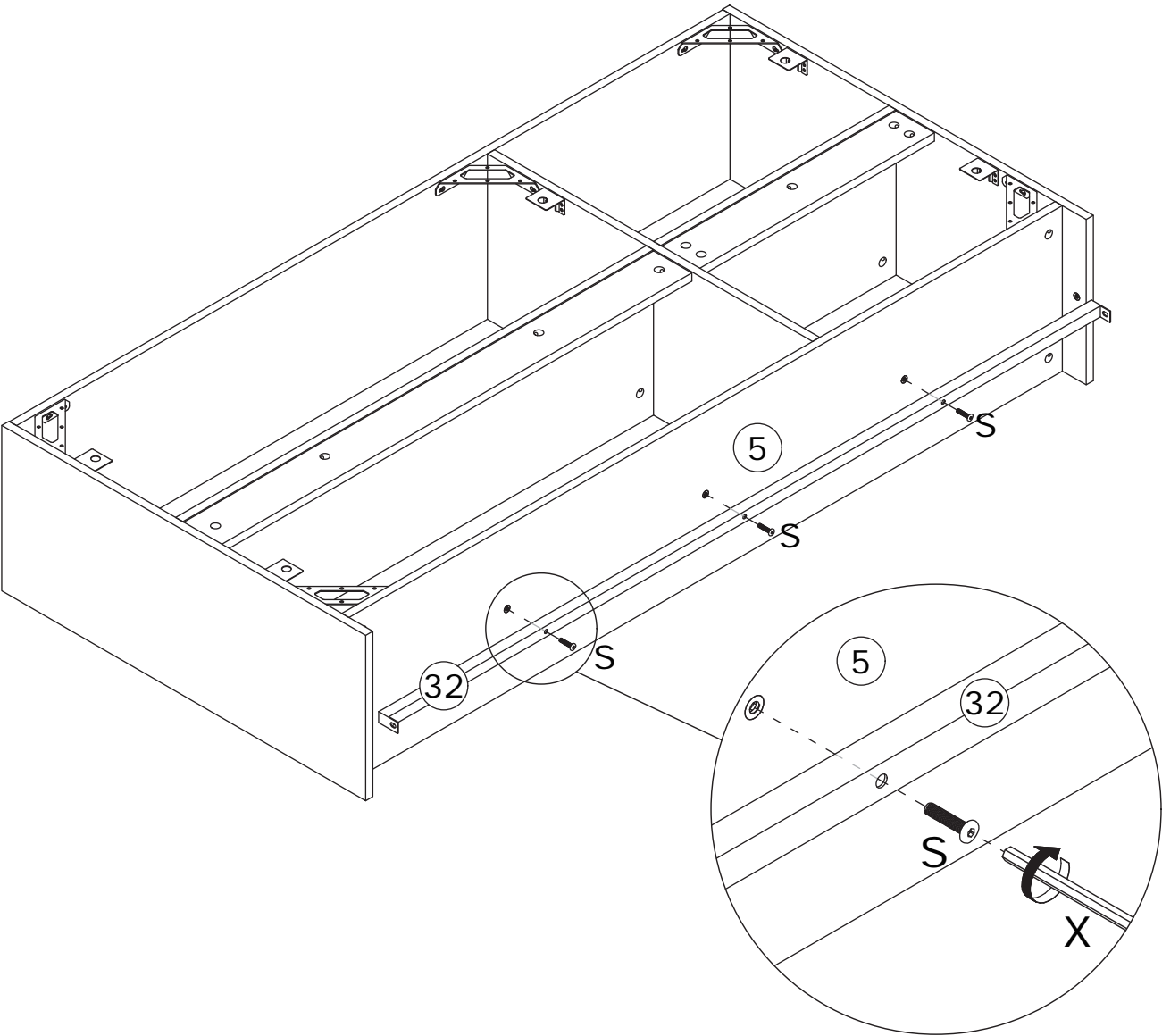
As shown in the diagram, secure part (J) to the installation unit using screws (F).



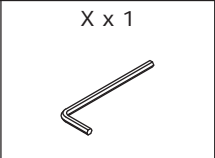
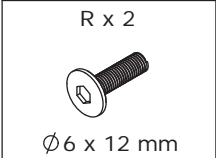
18



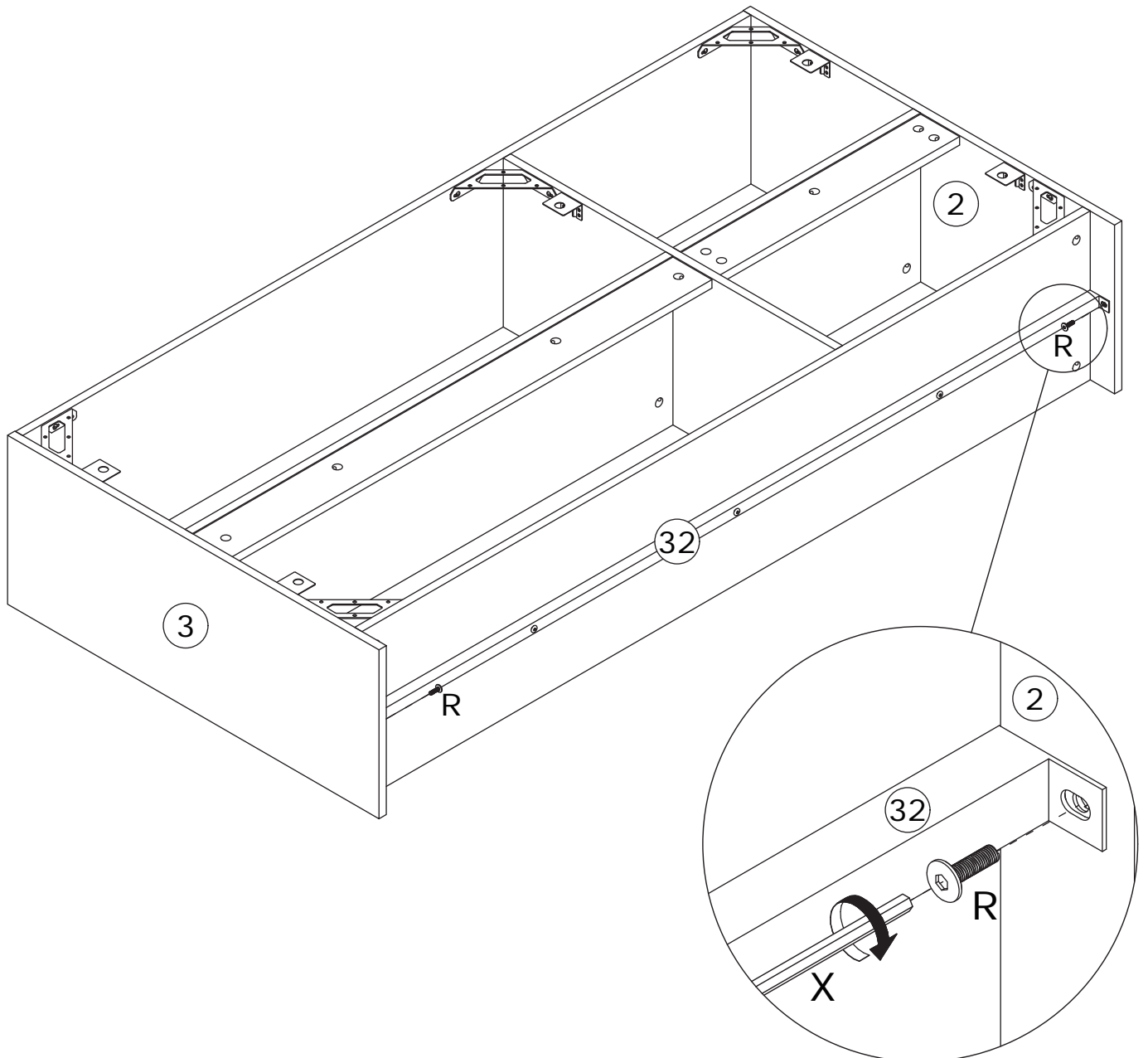
As shown in the diagram, secure part 32 to panel 5 using screws (S).



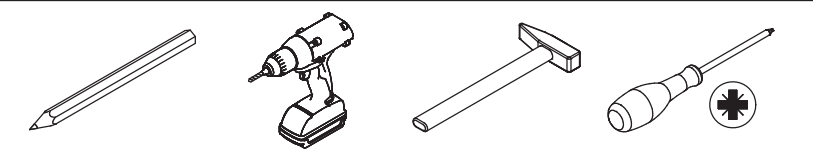
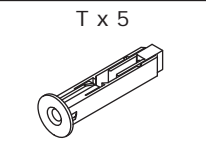
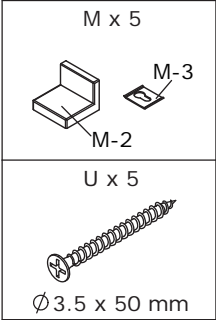
19



As shown in the diagram, secure part 32 to panel 2 and 3 using screws (R).

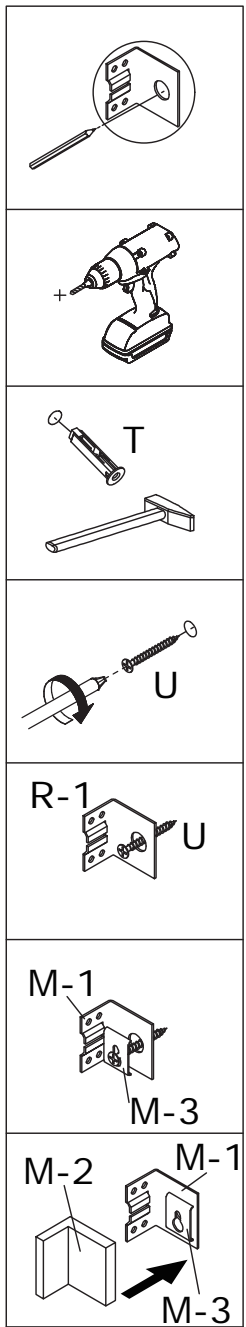
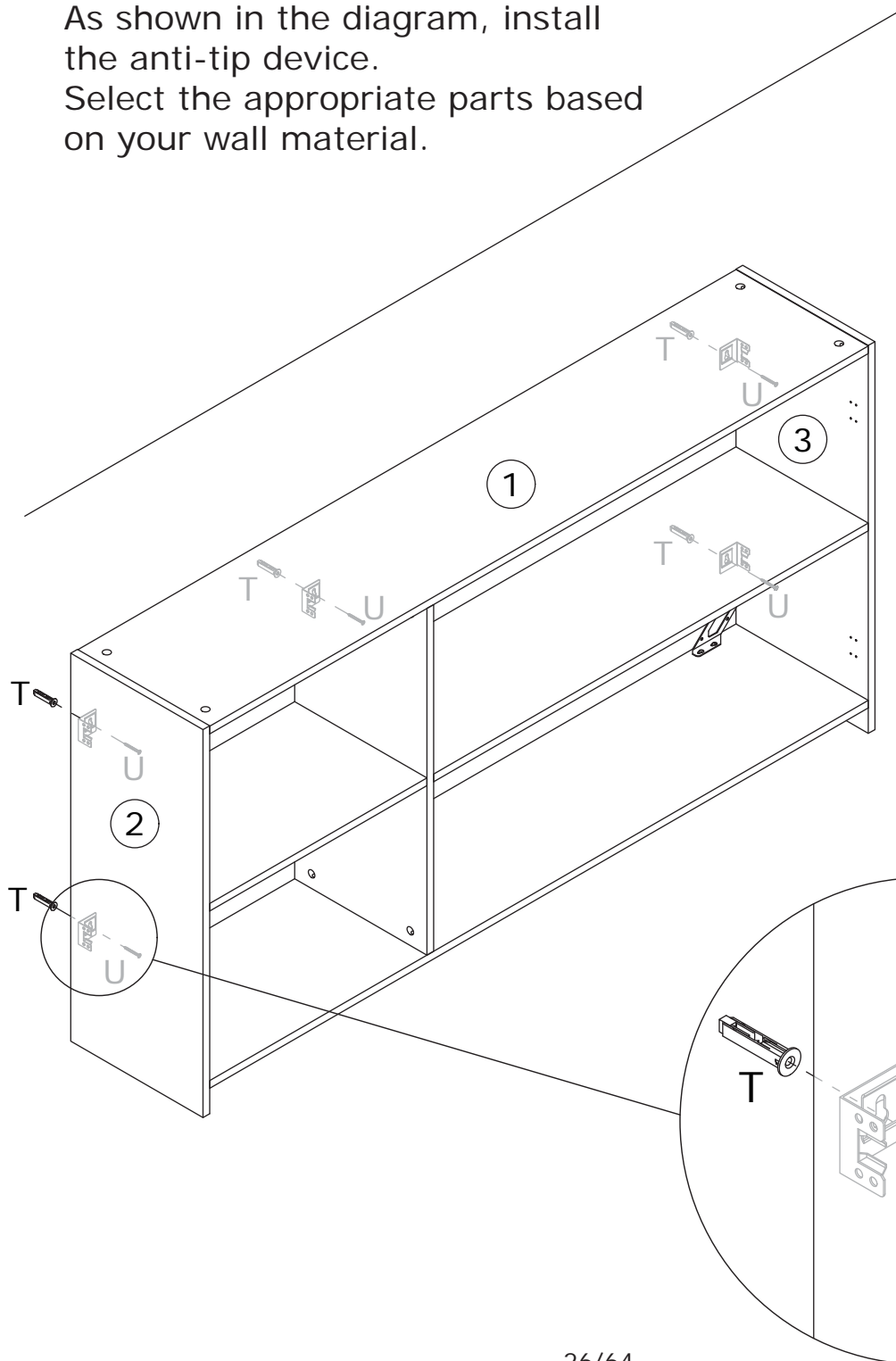


20

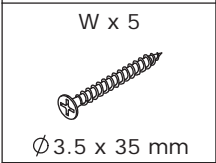
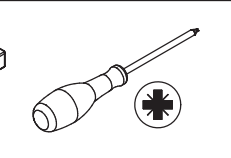
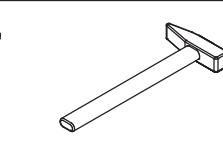
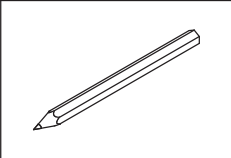
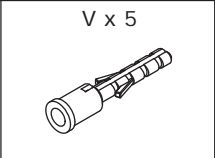
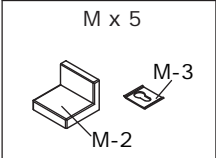


Option A

As shown in the diagram, install the anti-tip device.
Select the appropriate parts based on your wall material.

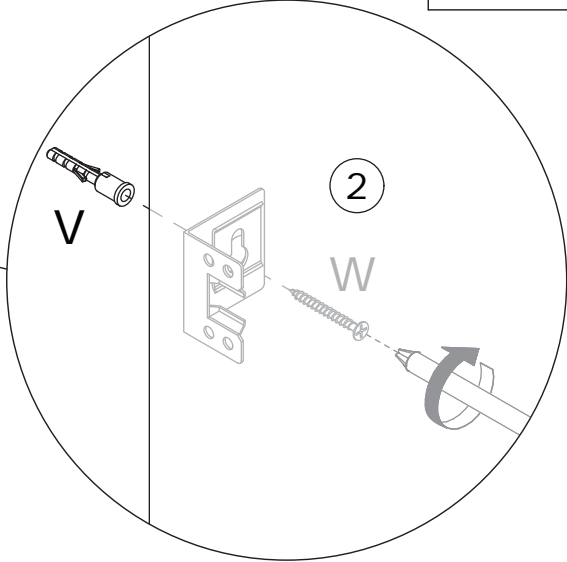
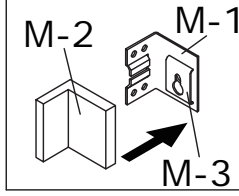
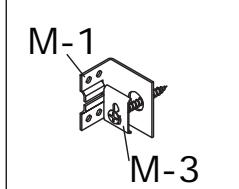
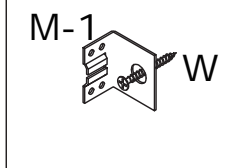
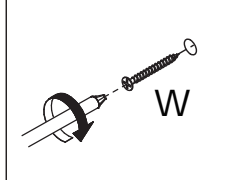
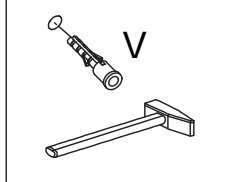
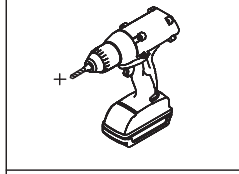
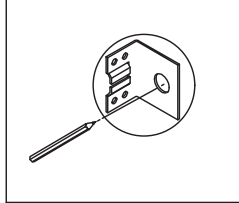
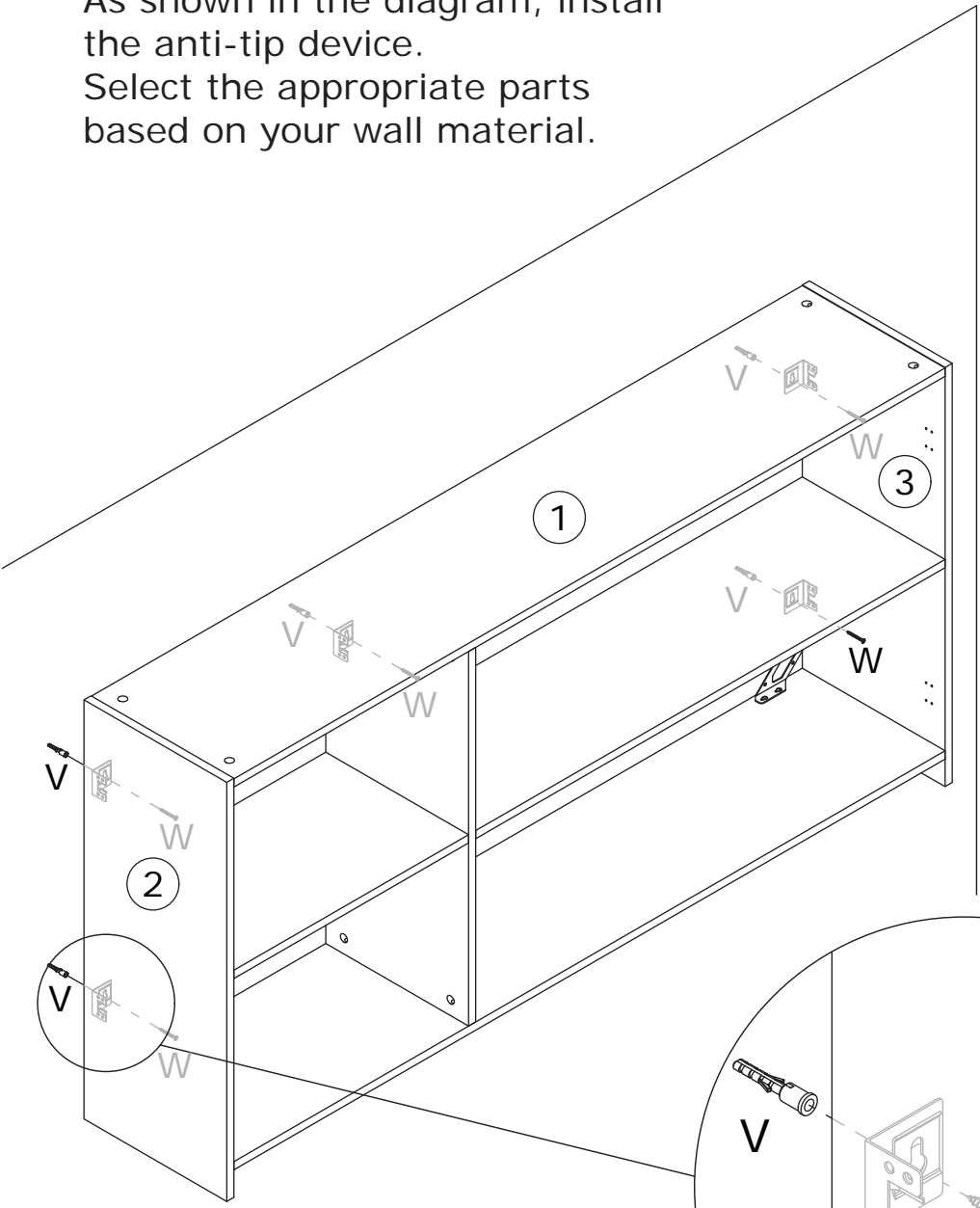


21

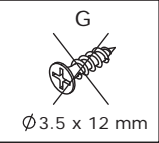
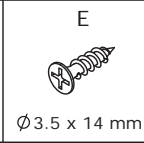
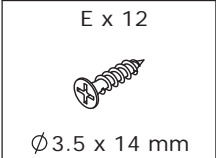


Option B

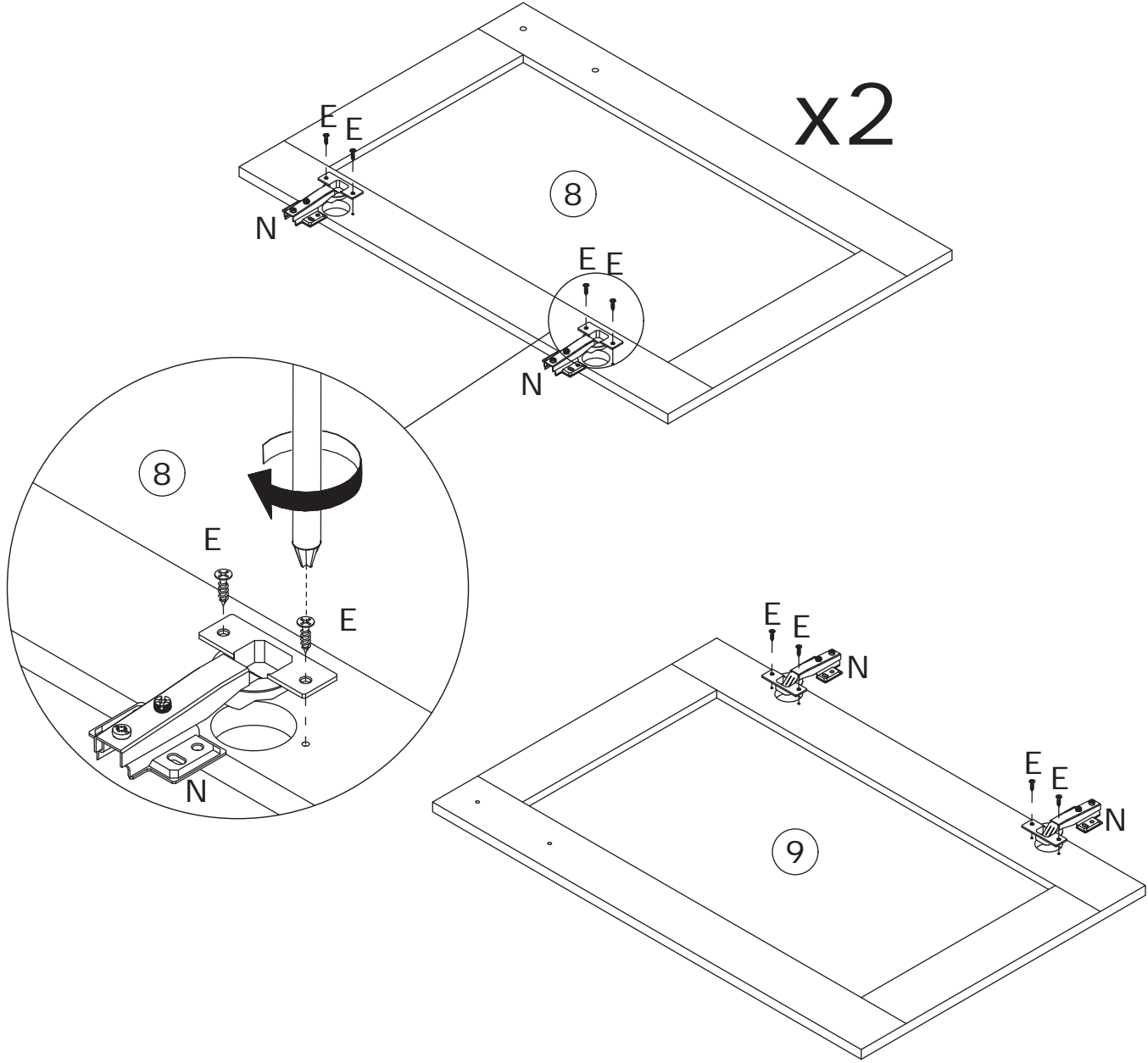
As shown in the diagram, install the anti-tip device. Select the appropriate parts based on your wall material.



22

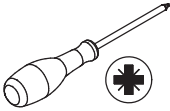


As shown in the diagram, secure part (N) to panel 8 and 9 using screws (E).

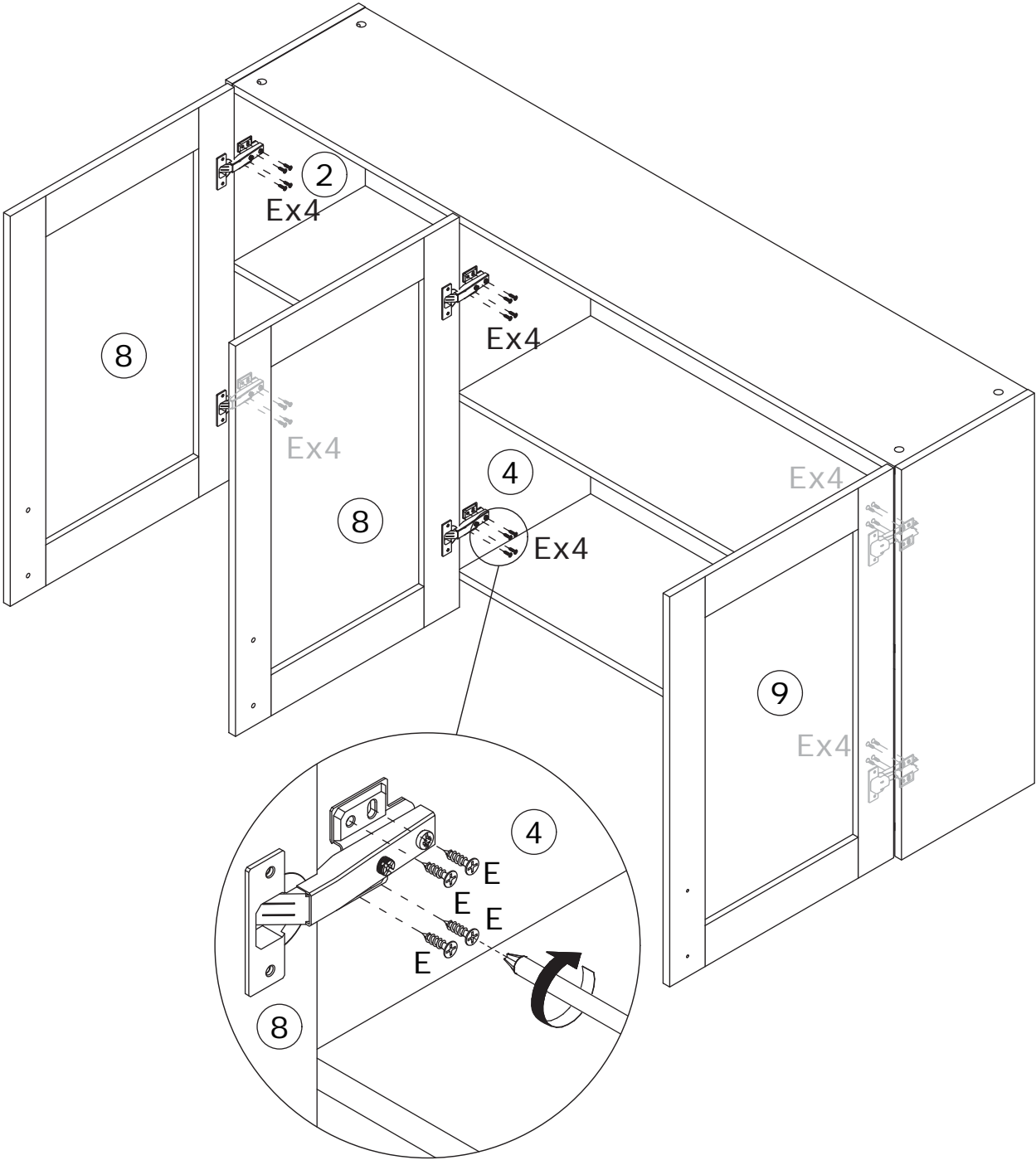
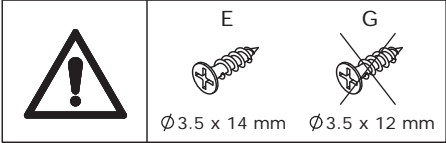


23

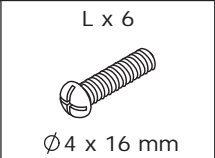
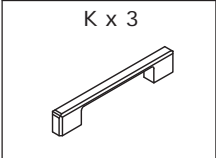
E x 24
Ø3.5 x 14 mm



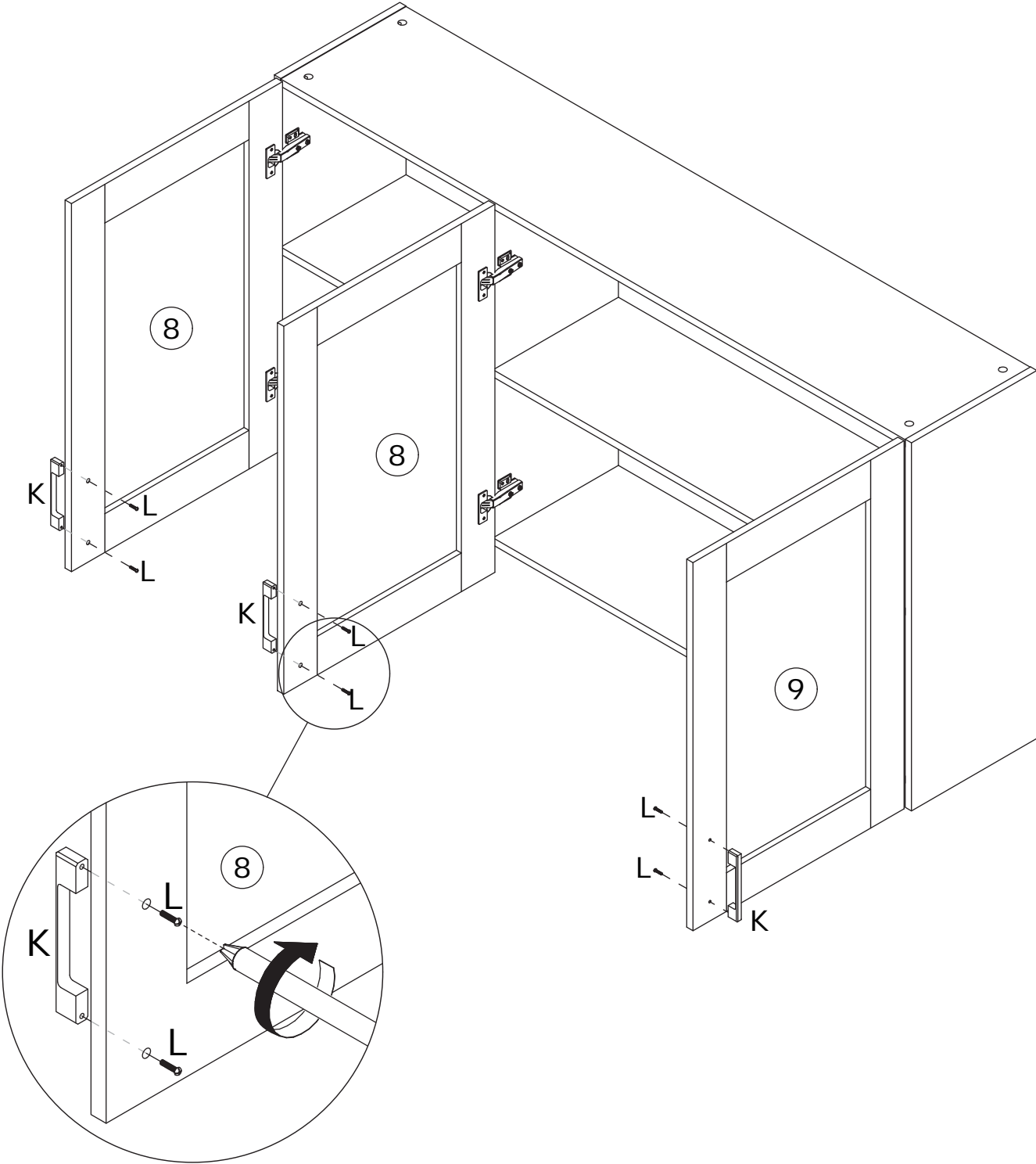
As shown in the diagram, connect panel 8 to panel 2 and 4, and panel 9 to panel 3 using screws (E).



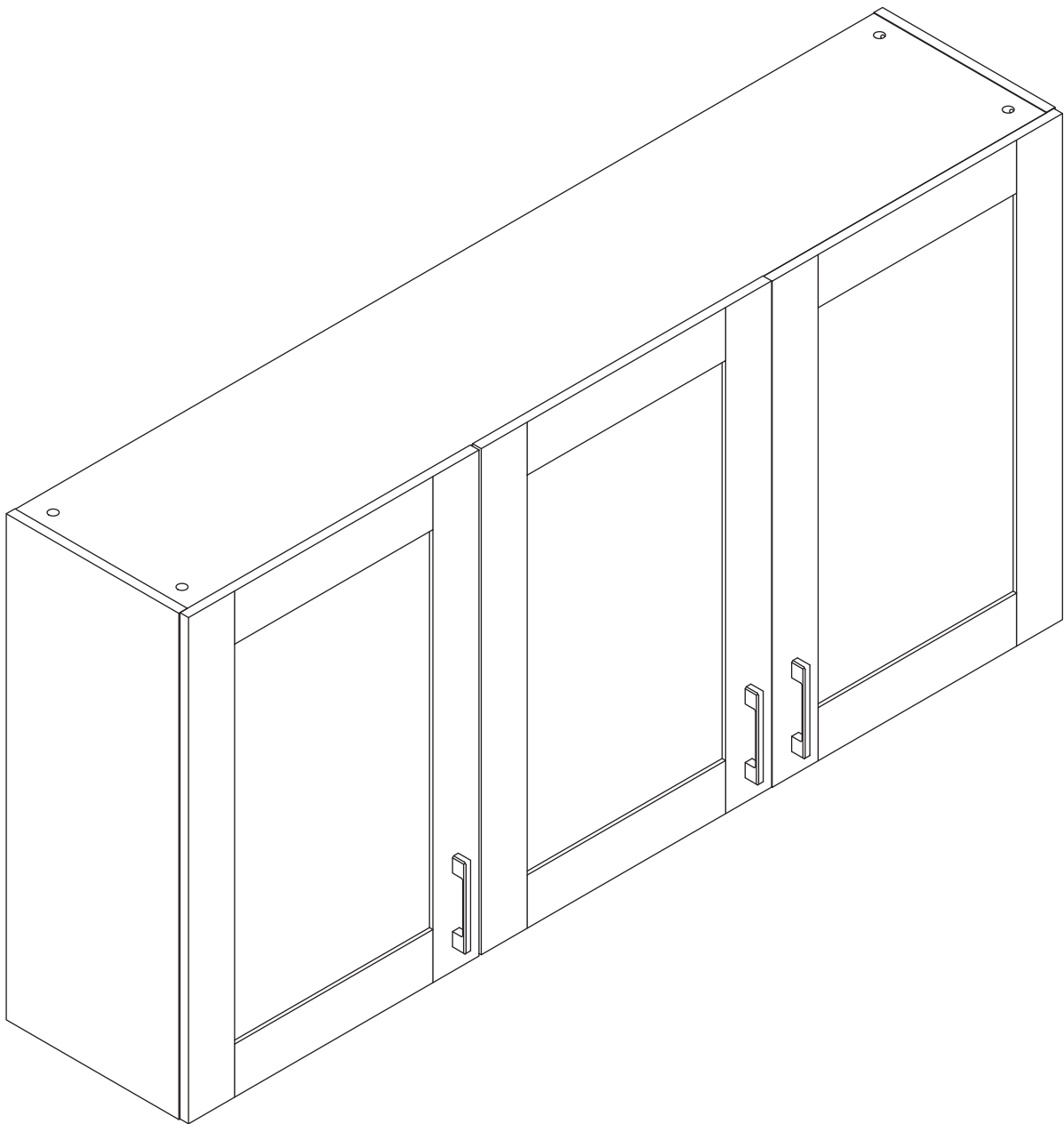
24



As shown in the diagram, secure handle (K) to panel 8 and 9 using screws (L).

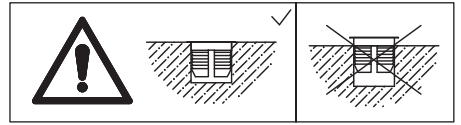


25

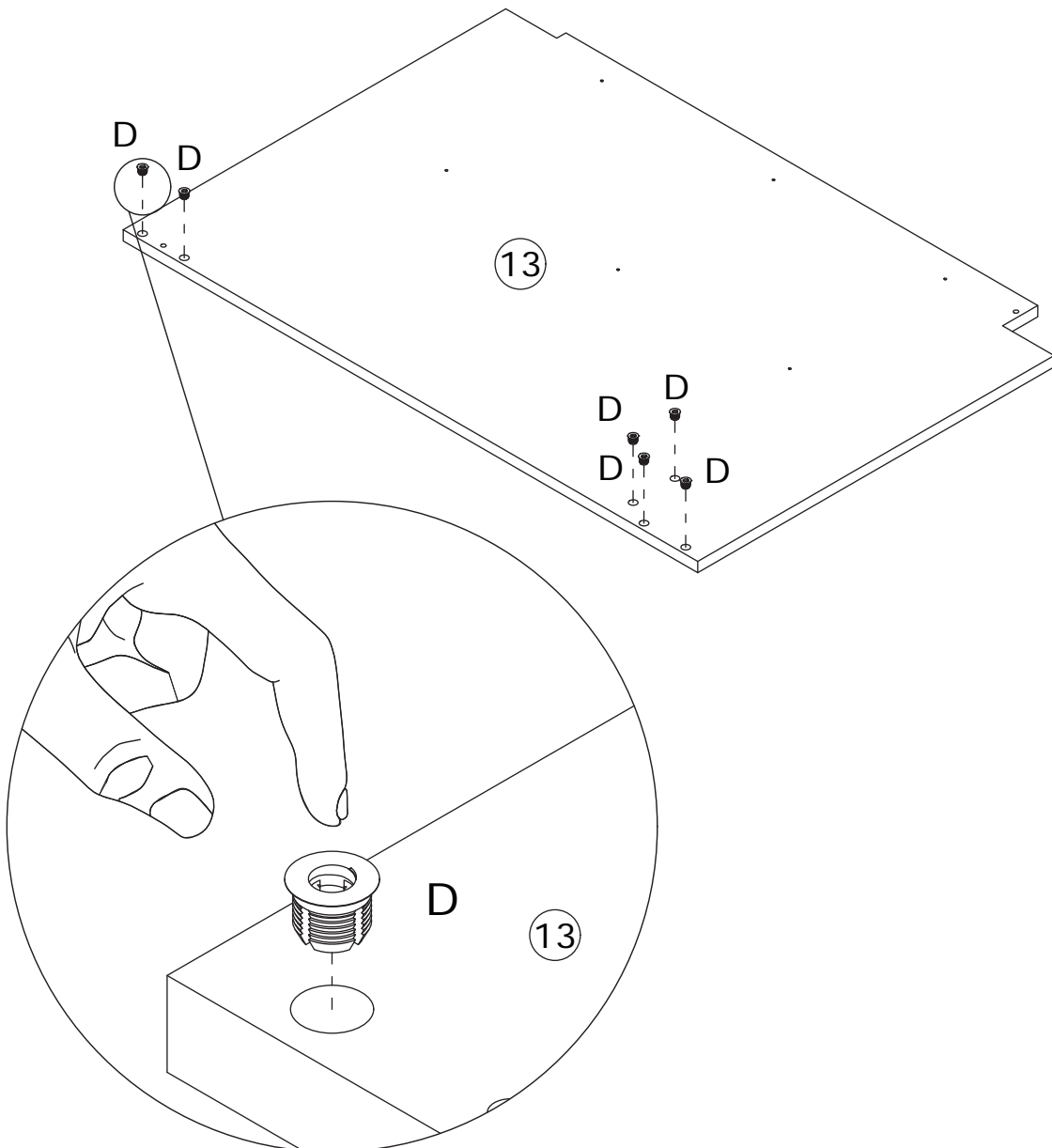


26

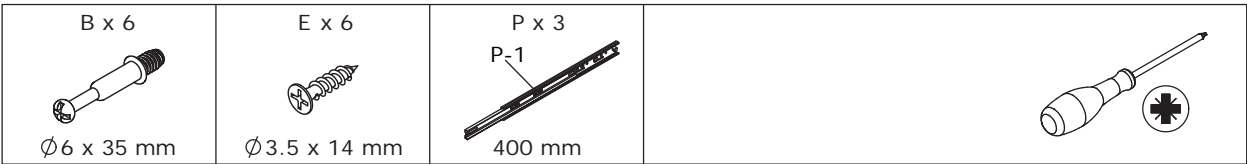
D x 6



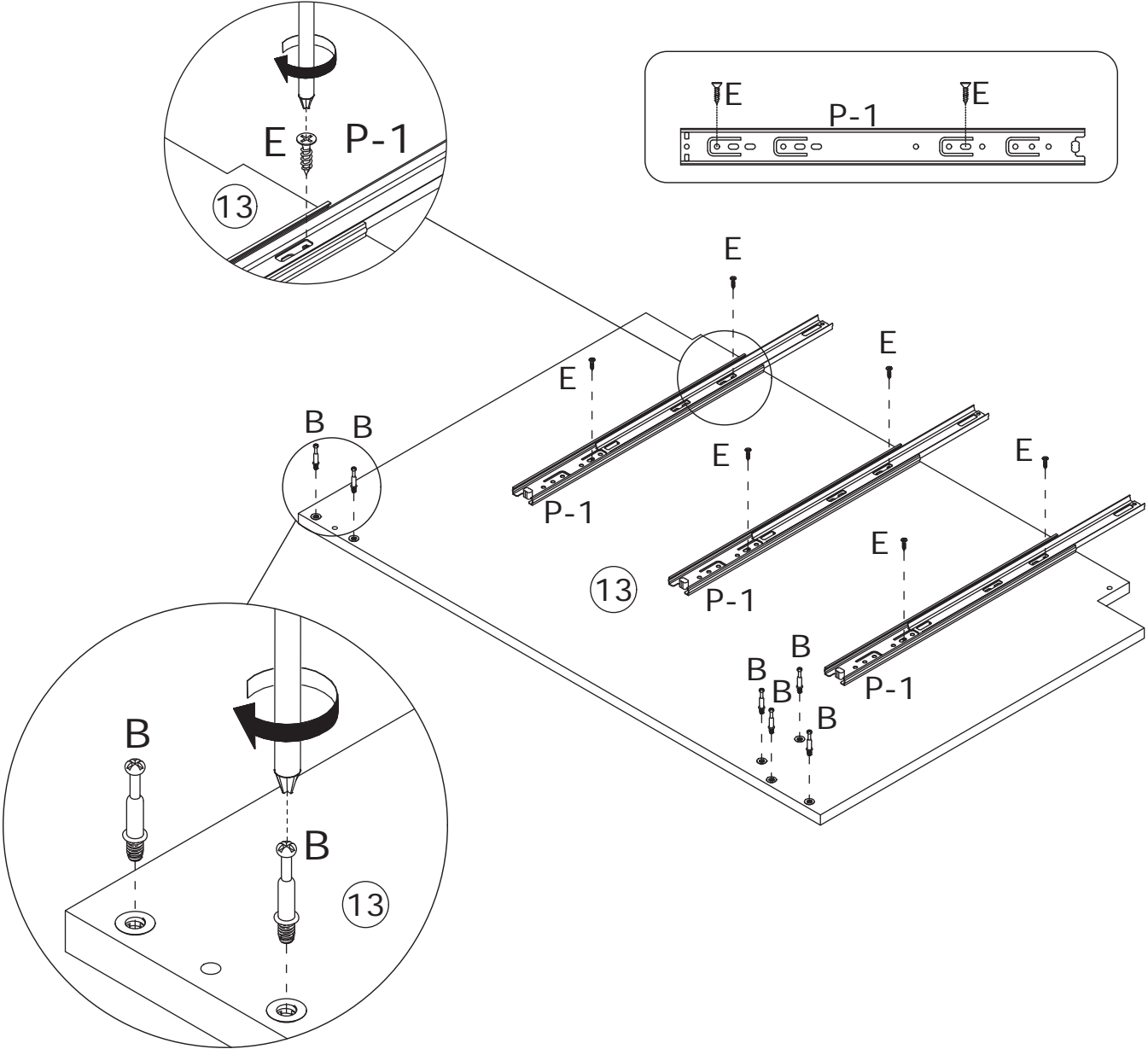
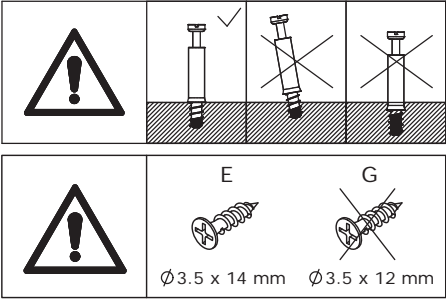
As shown in the diagram, attach part (D) to panel 13.



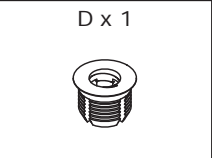
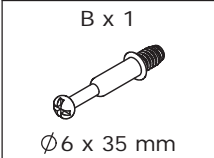
27



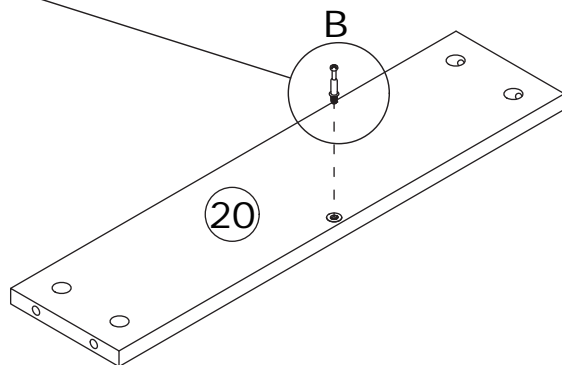
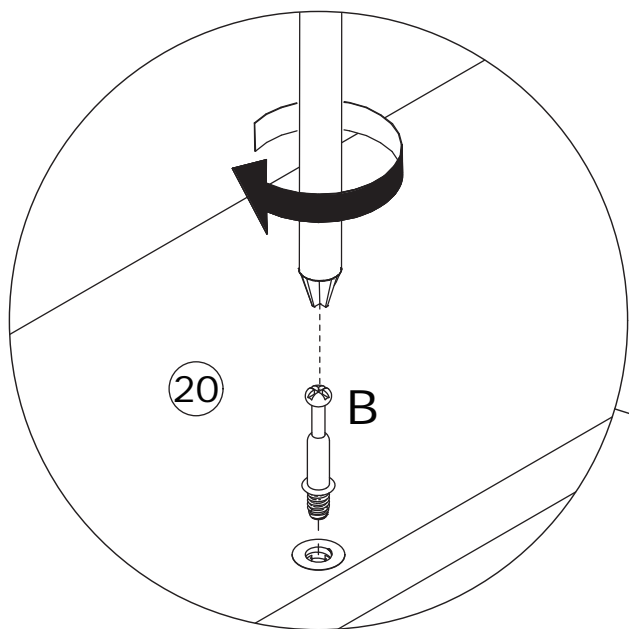
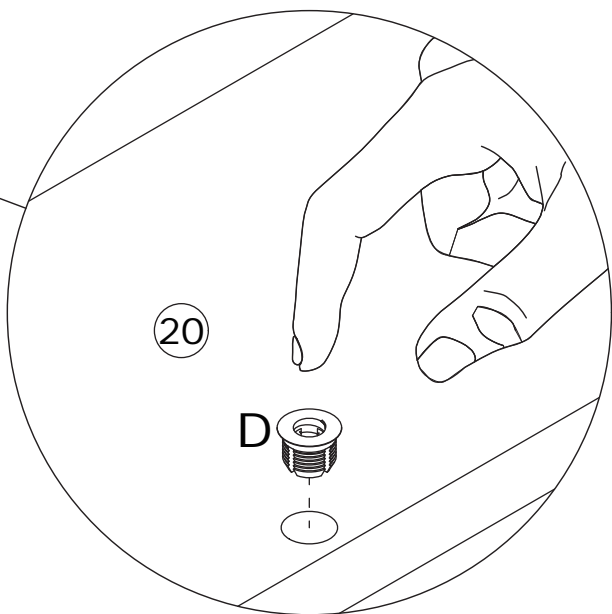
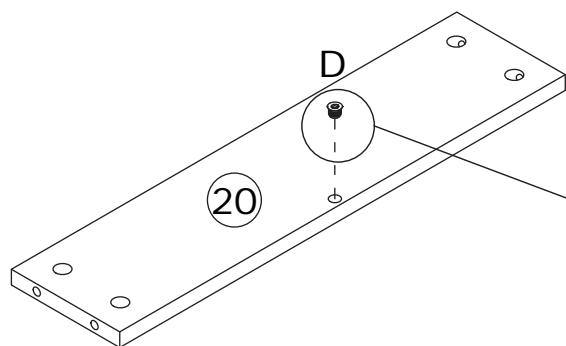
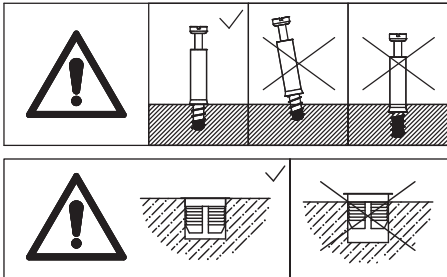
As shown in the diagram, install the slide rail (P-1) to panel 13 using screws (E), and screw the self-tapping rod (B) into panel 13.



28

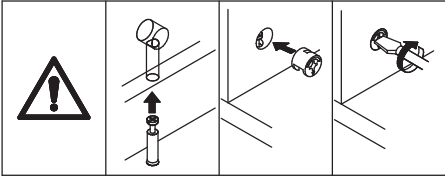
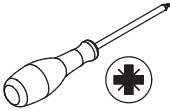


As shown in the diagram, attach part (D) to panel 20, and screw the self-tapping rod (B) into panel 20.

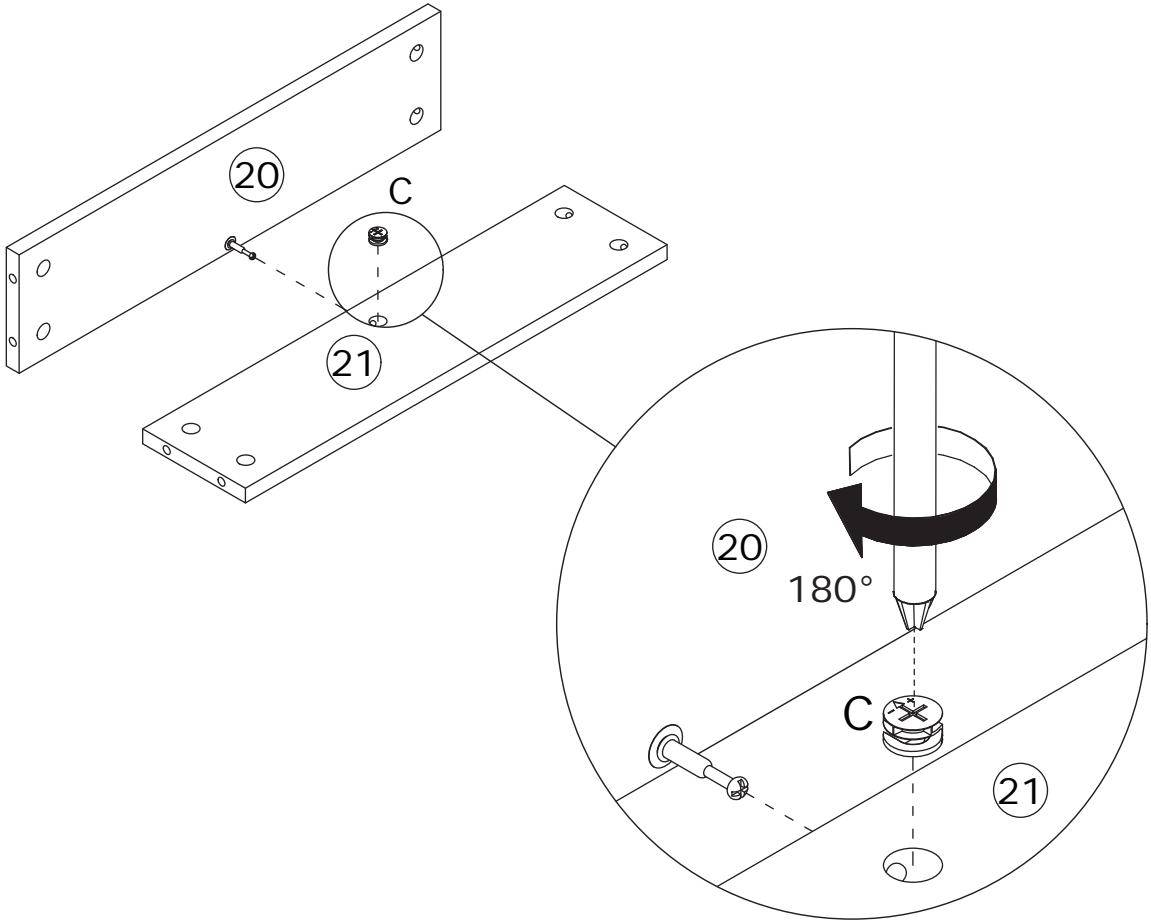


29

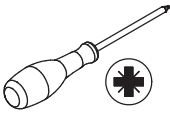
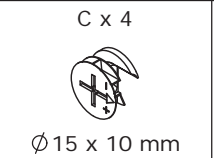
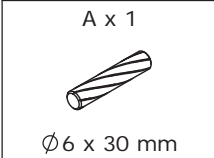
C x 1
Ø15 x 10 mm



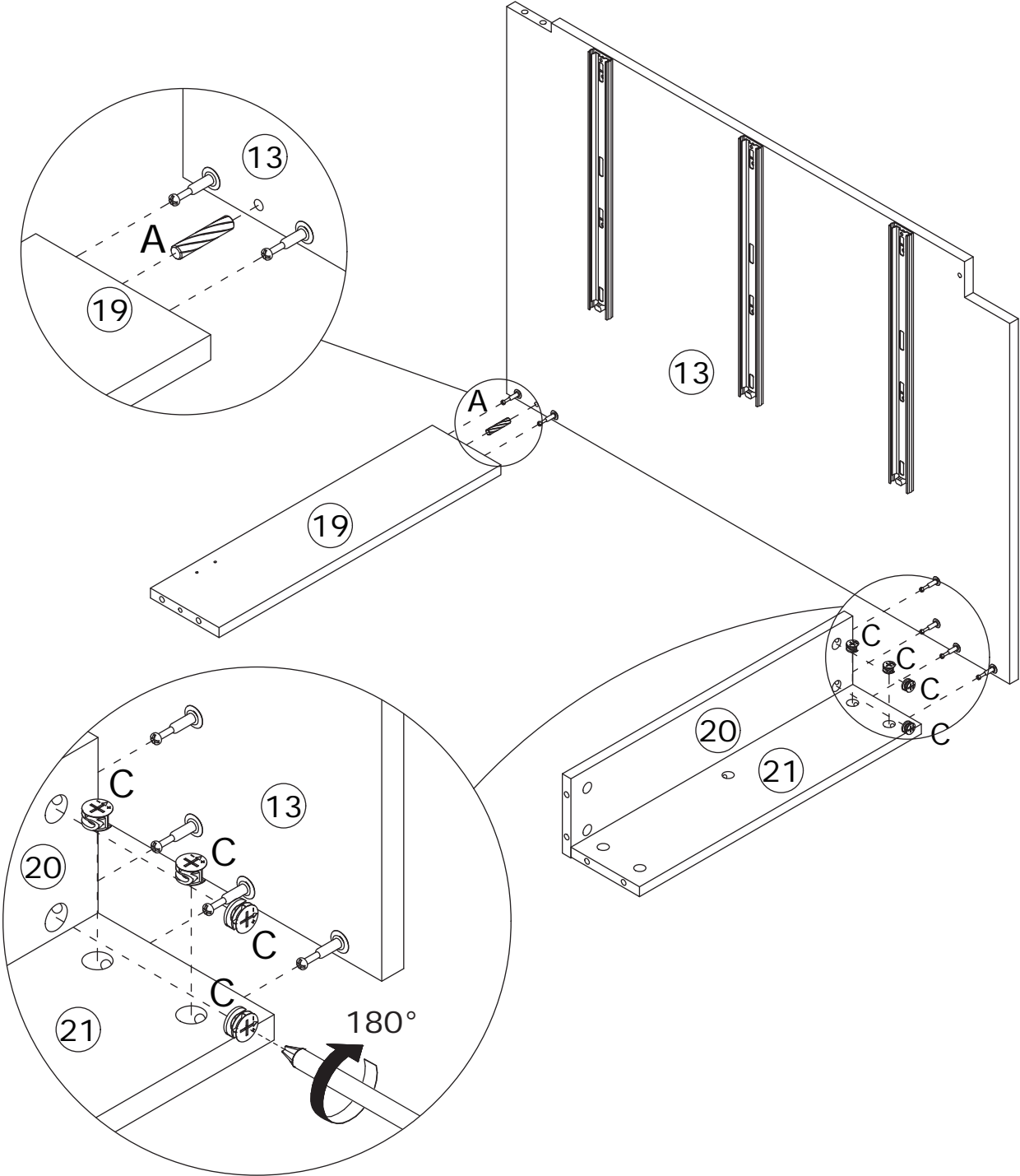
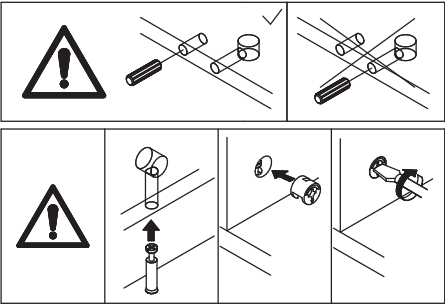
As shown in the diagram, connect panel 20 to panel 21, then tighten the cam locks (C) by rotating clockwise.



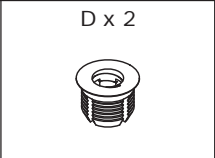
30



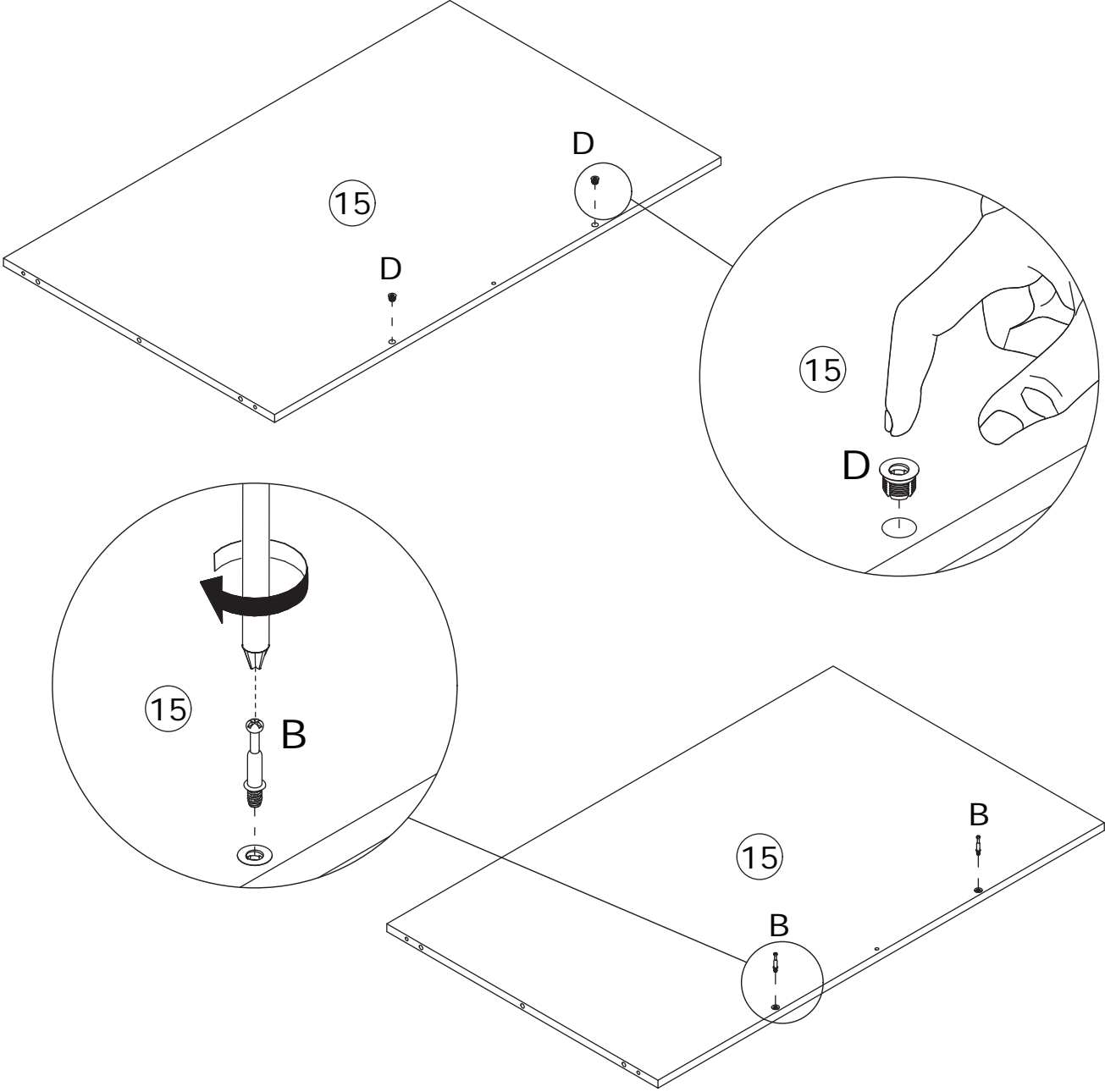
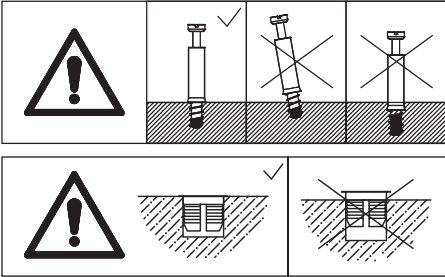
As shown in the diagram, connect panel 13 to panel 19, 20, and 21 using dowels (A), then tighten the cam locks (C) by rotating clockwise.



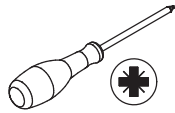
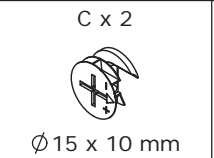
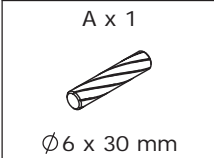
31



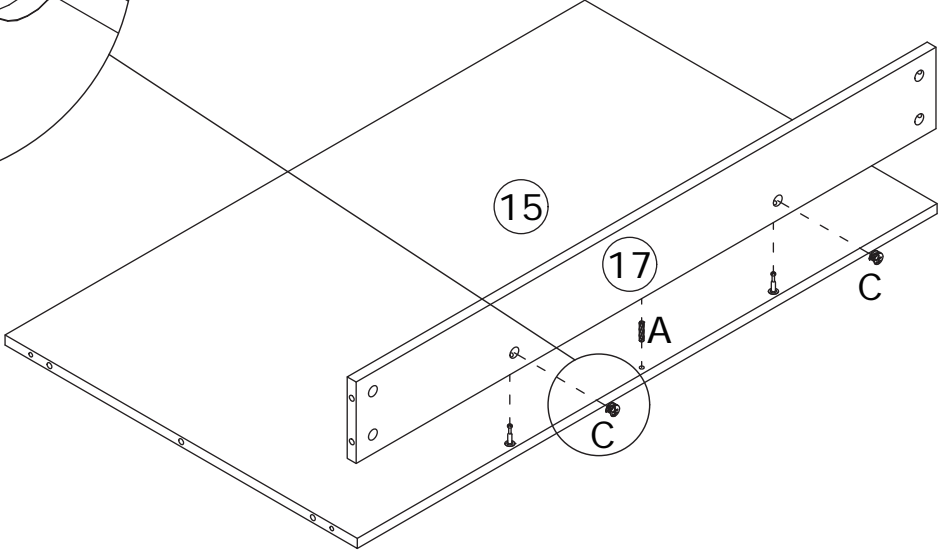
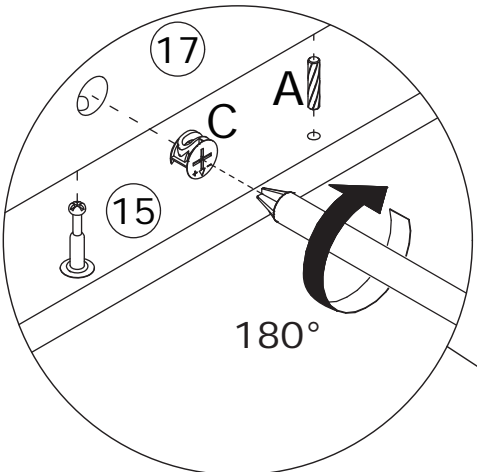
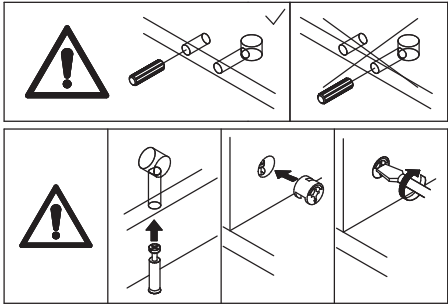
As shown in the diagram, attach part (D) to panel 15, and screw the self-tapping rod (B) into panel 15.



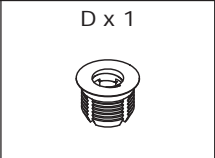
32



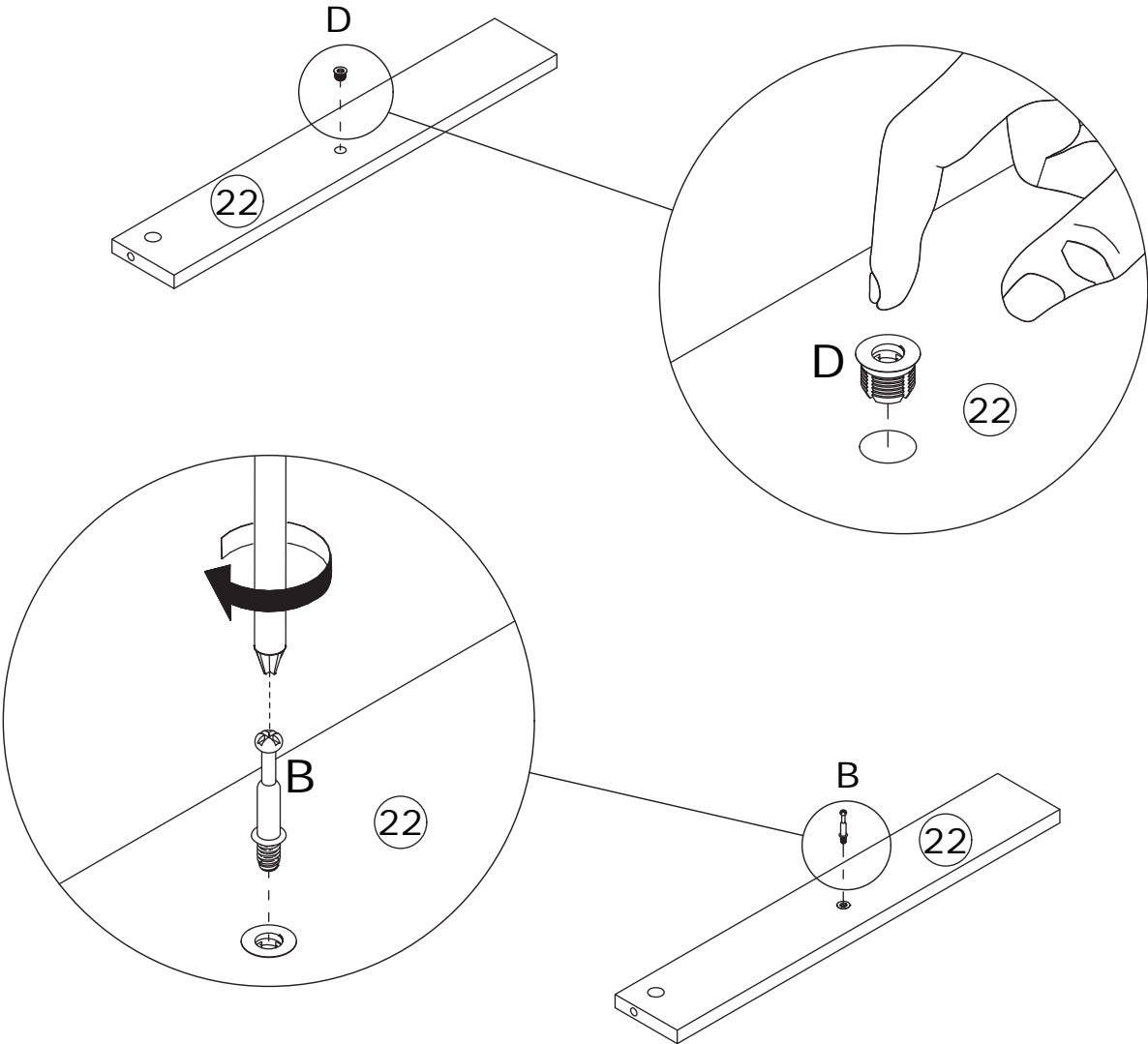
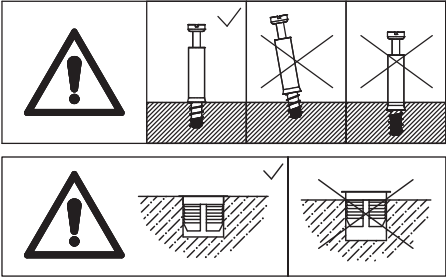
As shown in the diagram, connect panel 17 to panel 15 using dowels (A), then tighten the cam locks (C) by rotating clockwise.



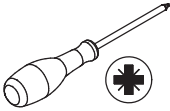
33



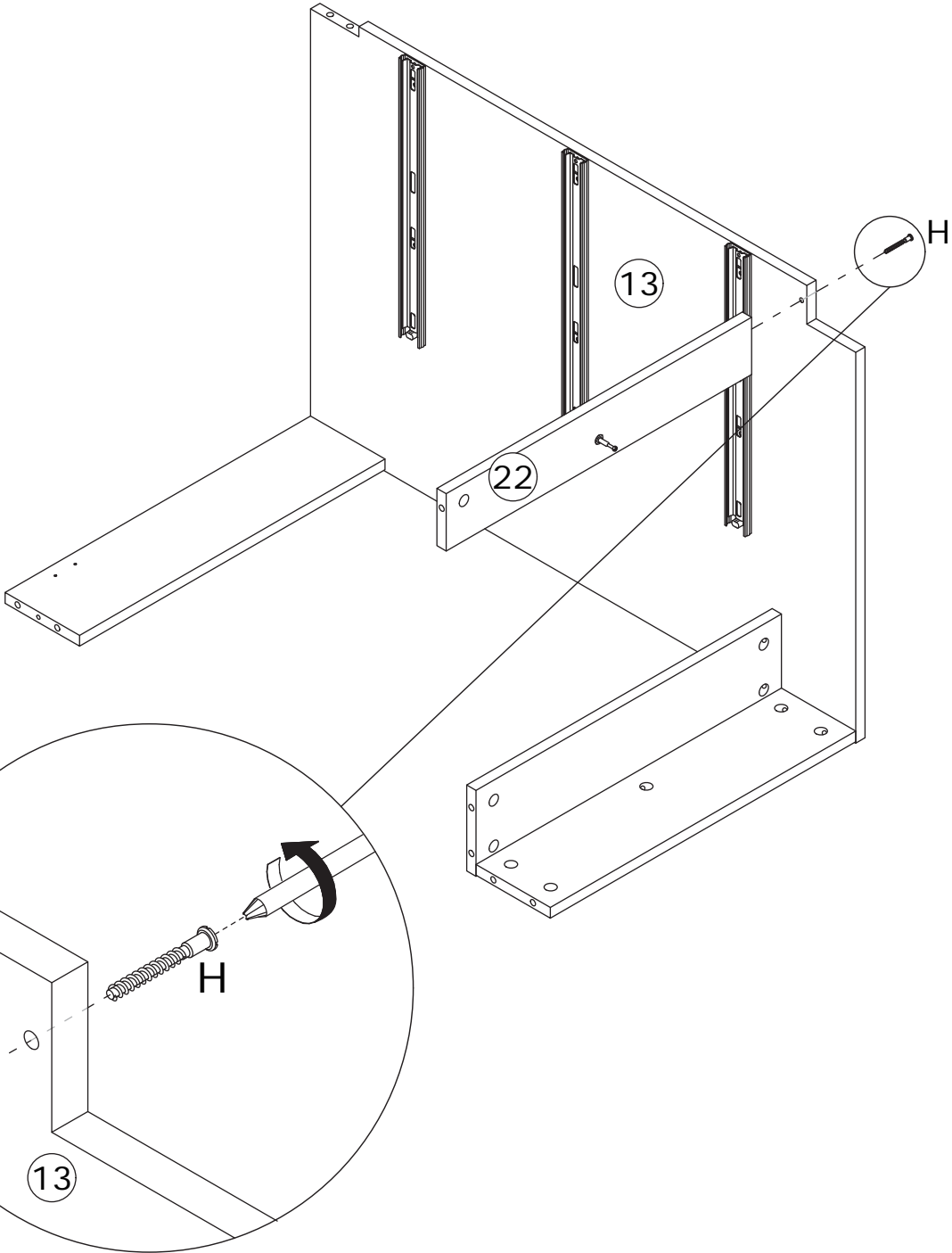
As shown in the diagram, attach part (D) to panel 22, and screw the self-tapping rod (B) into panel 22.



34

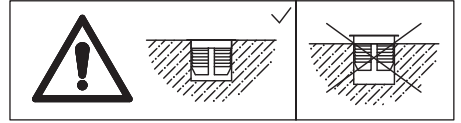


As shown in the diagram, connect panel 22 to panel 13 using screws (H).

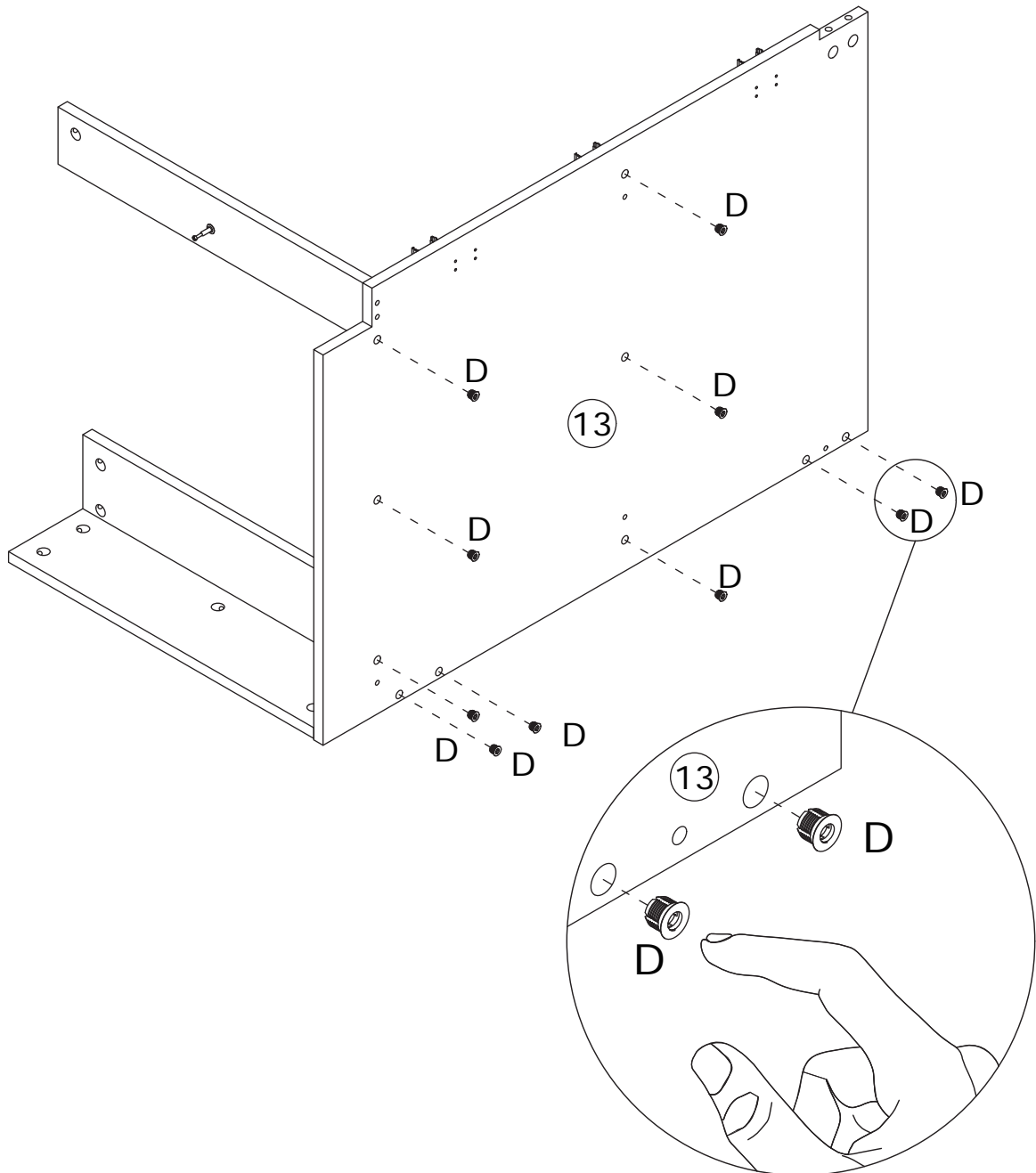


35

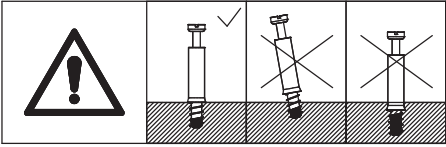
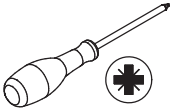
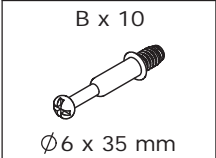
D x 10



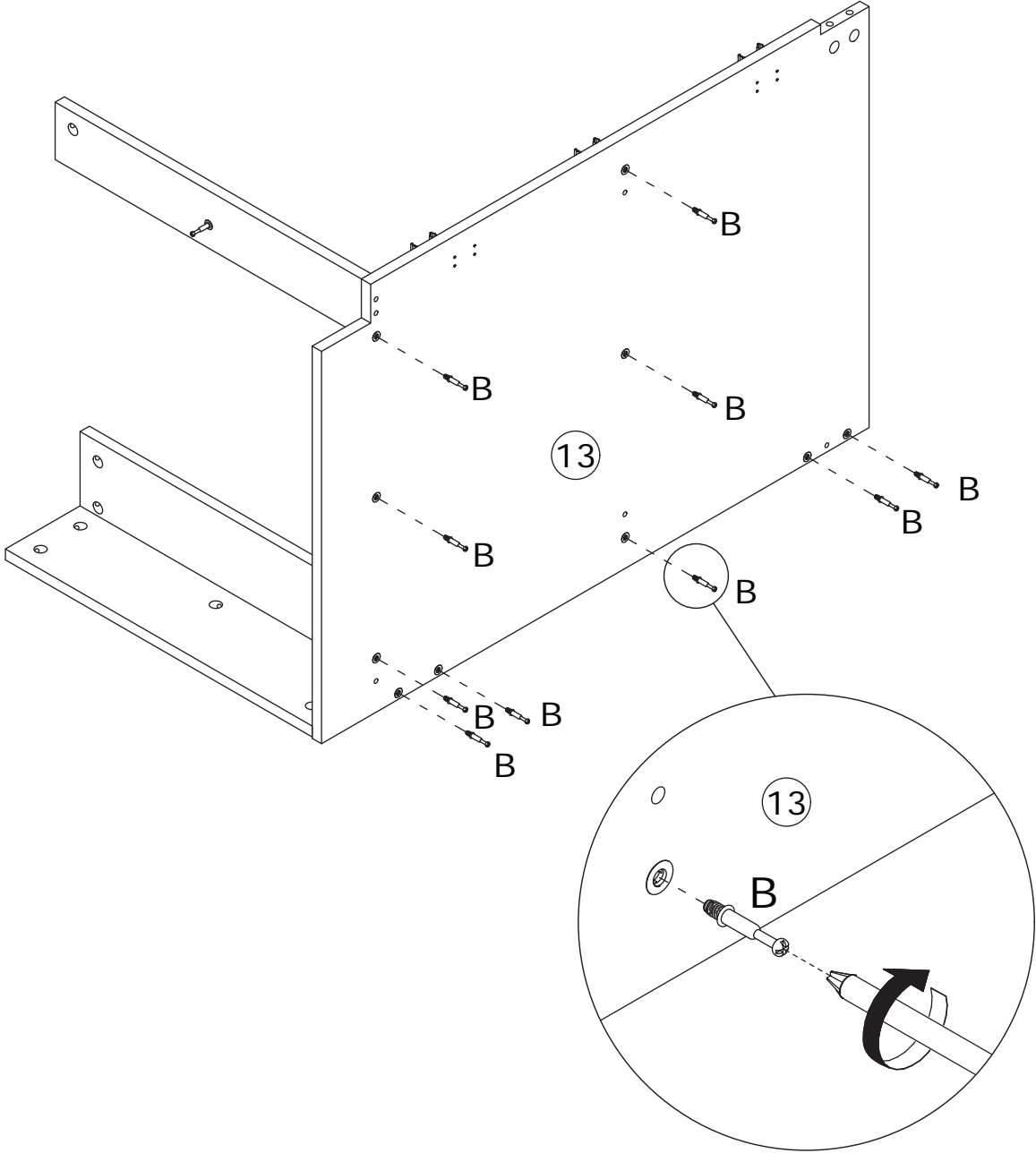
As shown in the diagram, attach part (D) to panel 13.



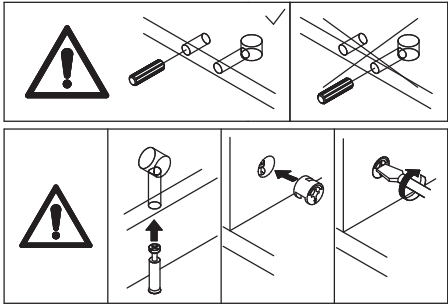
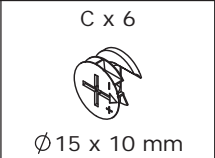
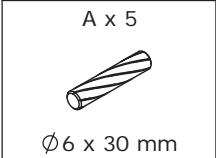
36



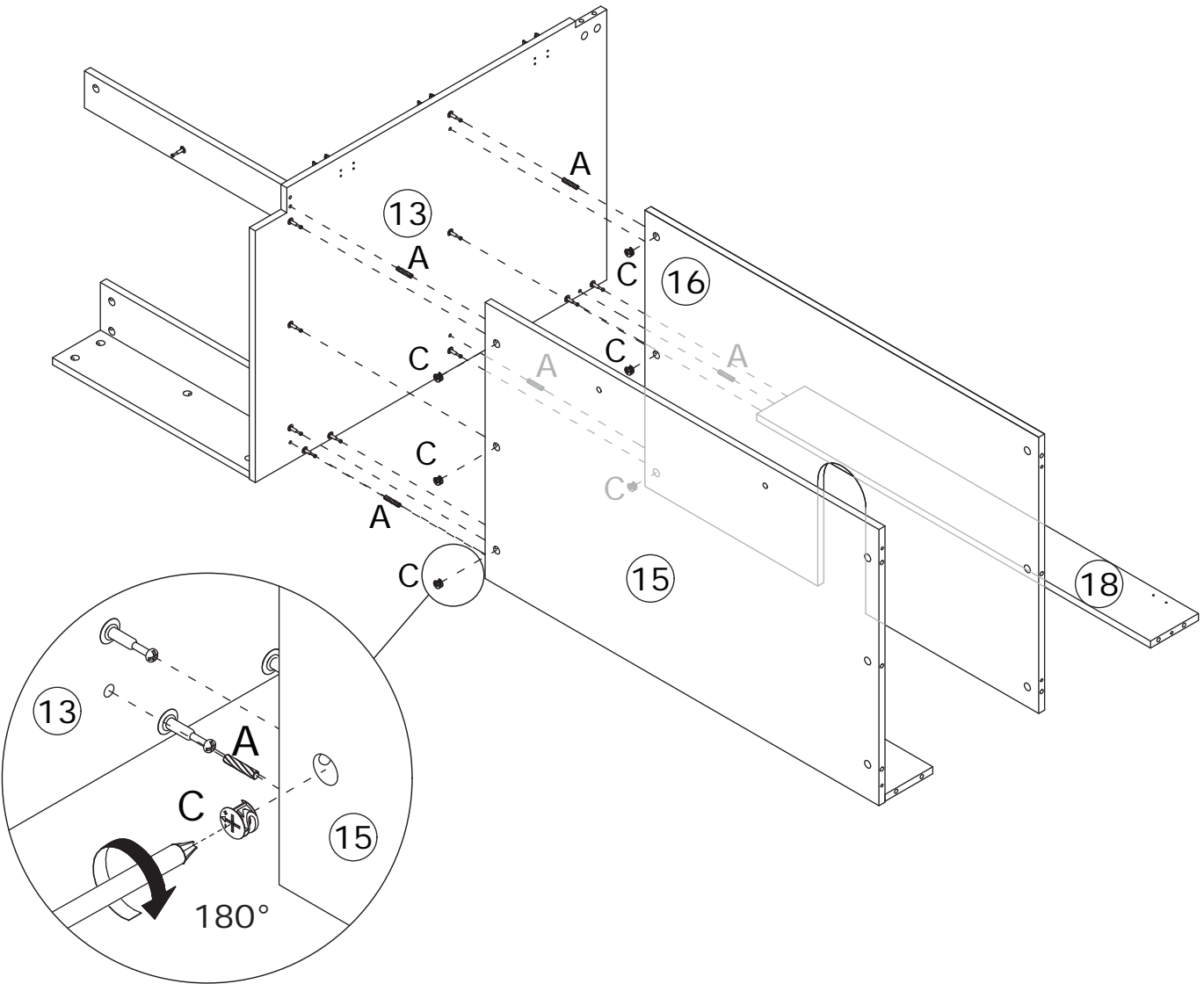
As shown in the diagram, screw the self-tapping rod (B) into panel 13.



37

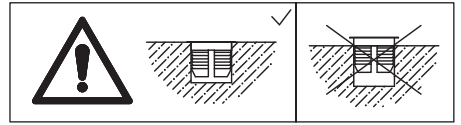


As shown in the diagram, connect panel 13 to panel 15, 16, 17, and 18 using dowels (A), then tighten the cam locks (C) by rotating clockwise.

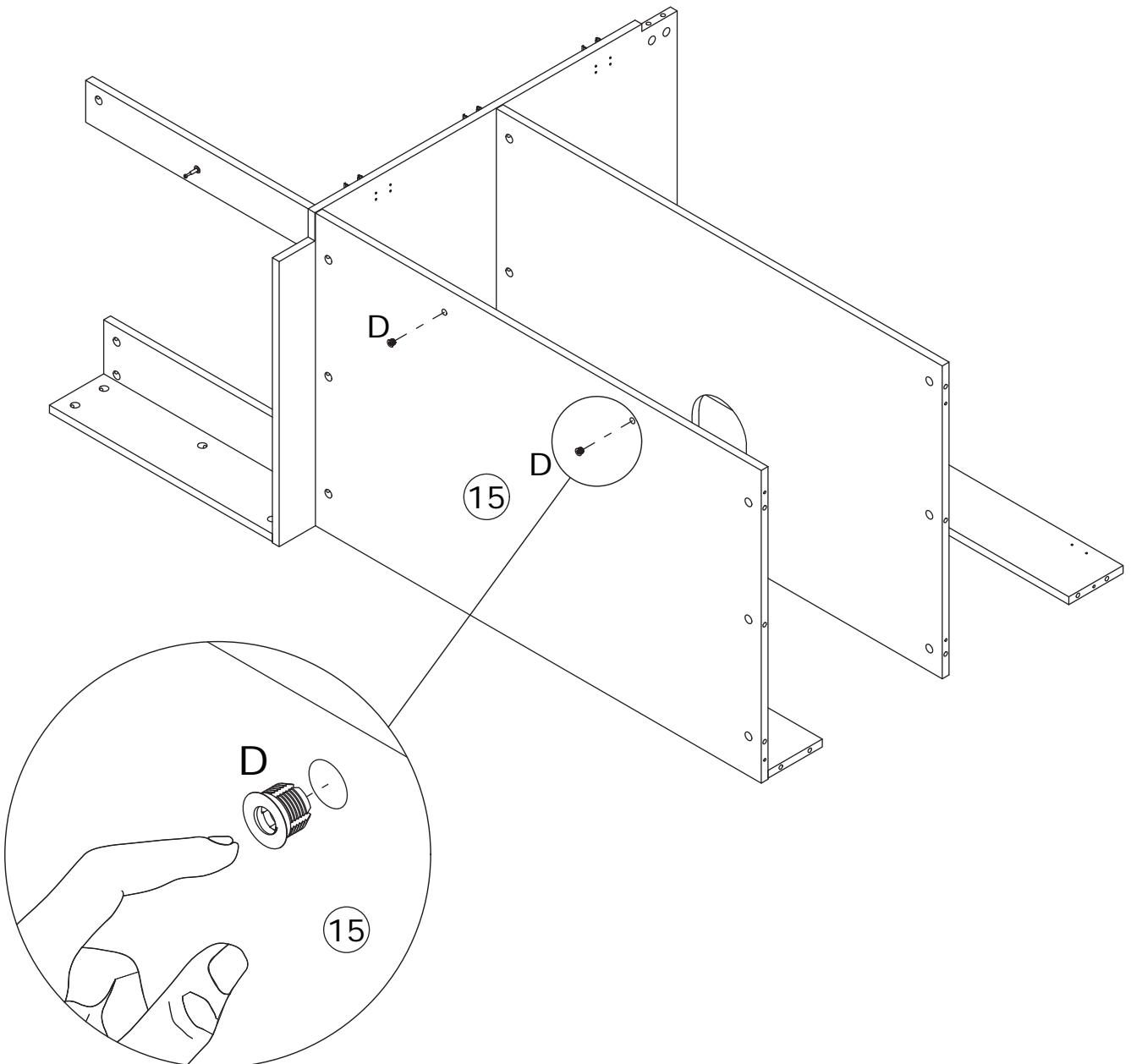


38

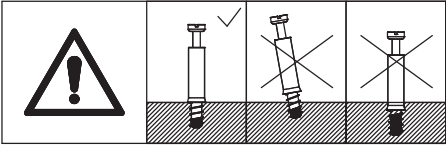
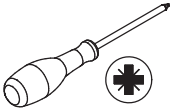
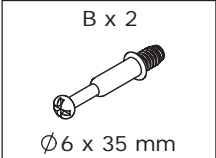
D x 2



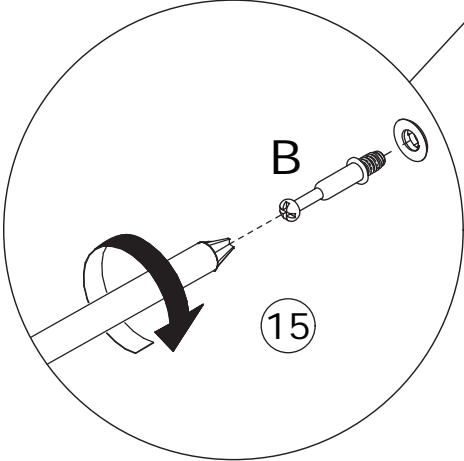
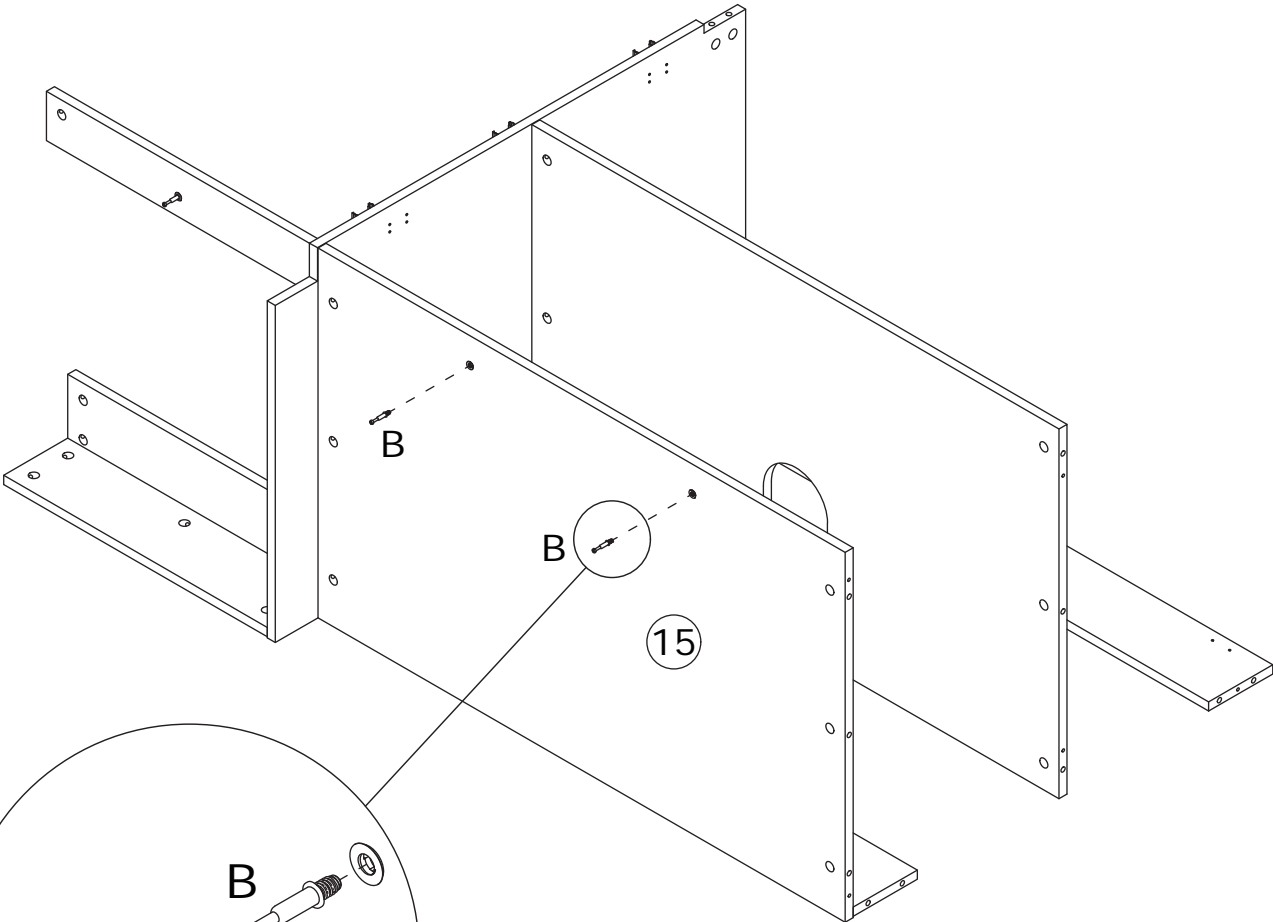
As shown in the diagram,
attach part (D) to panel 15.



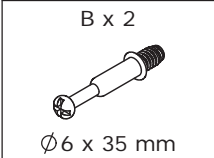
39



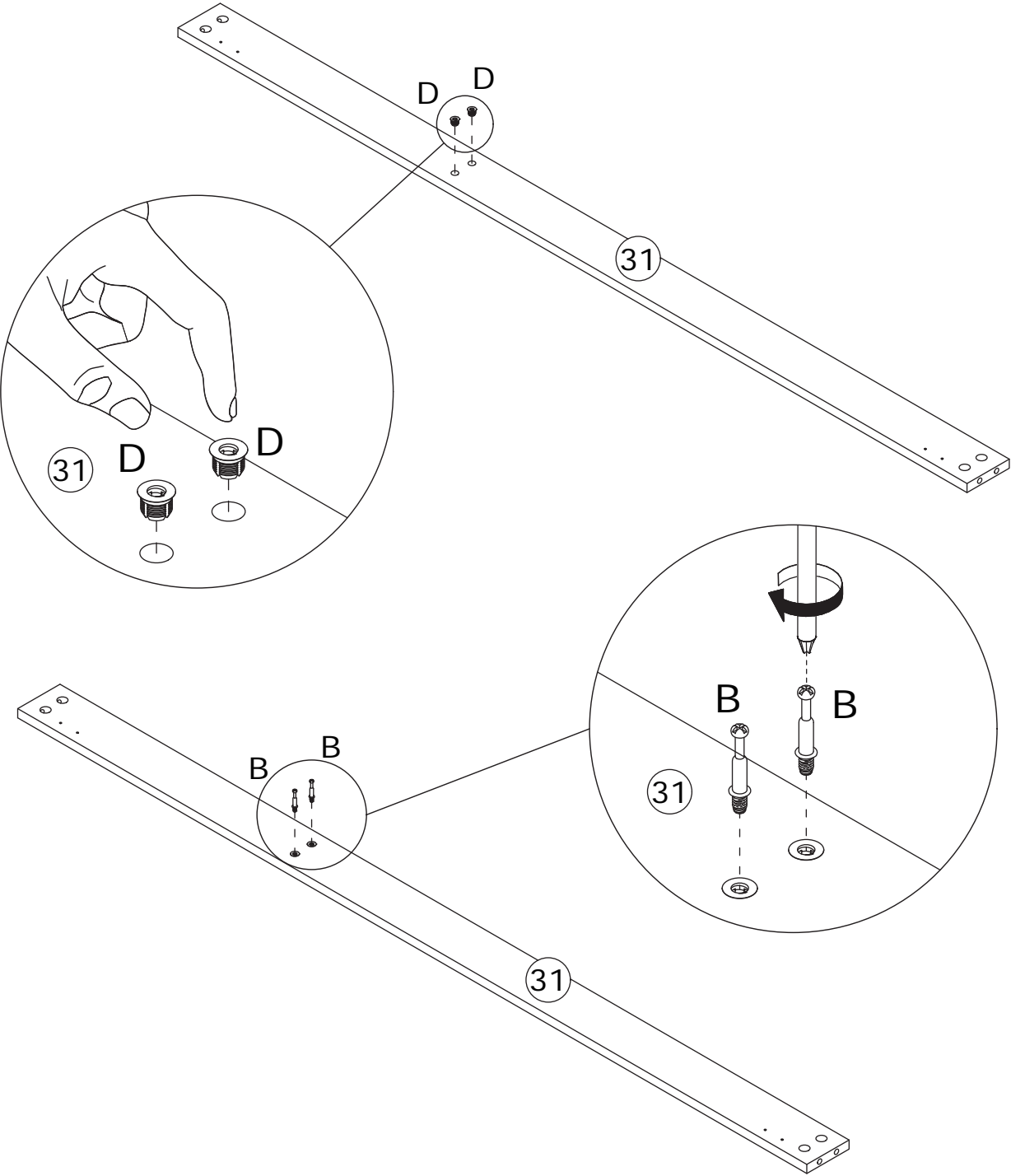
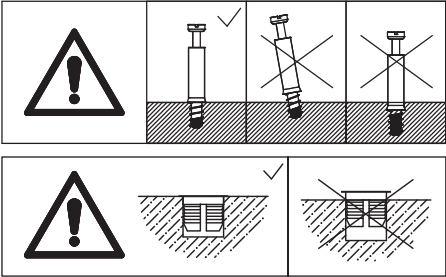
As shown in the diagram,
screw the self-tapping rod (B)
into panel 15.



40

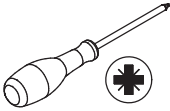


As shown in the diagram, attach part (D) to panel 31, and screw the self-tapping rod (B) into panel 31.

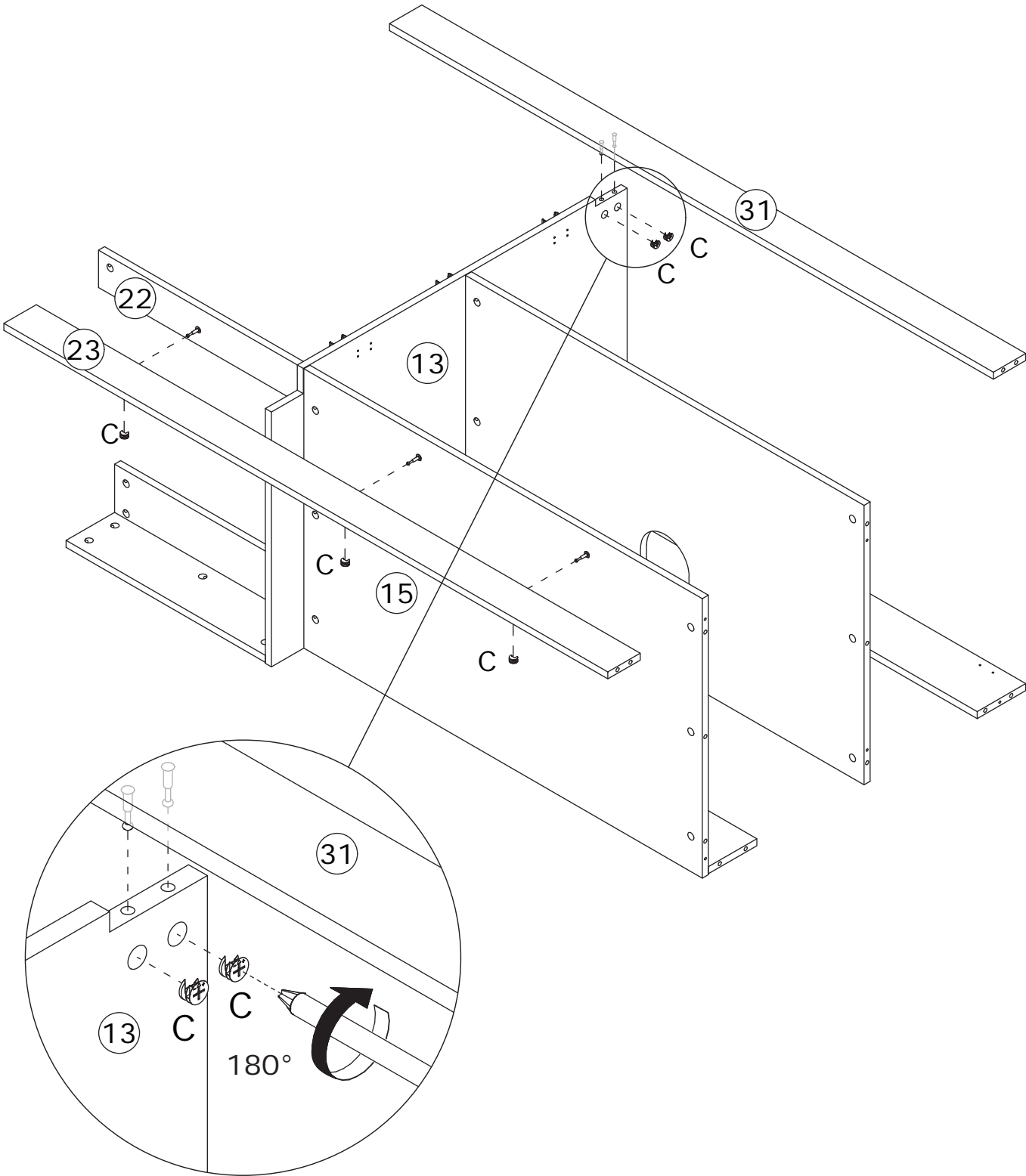
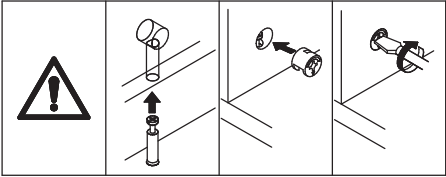


41

C x 5
Ø 15 x 10 mm

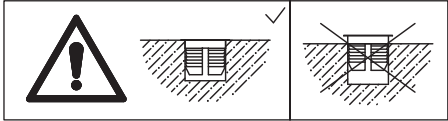


As shown in the diagram, connect panel 23 to panel 22 and 15, and panel 31 to panel 13, then tighten the cam locks (C) by rotating clockwise.

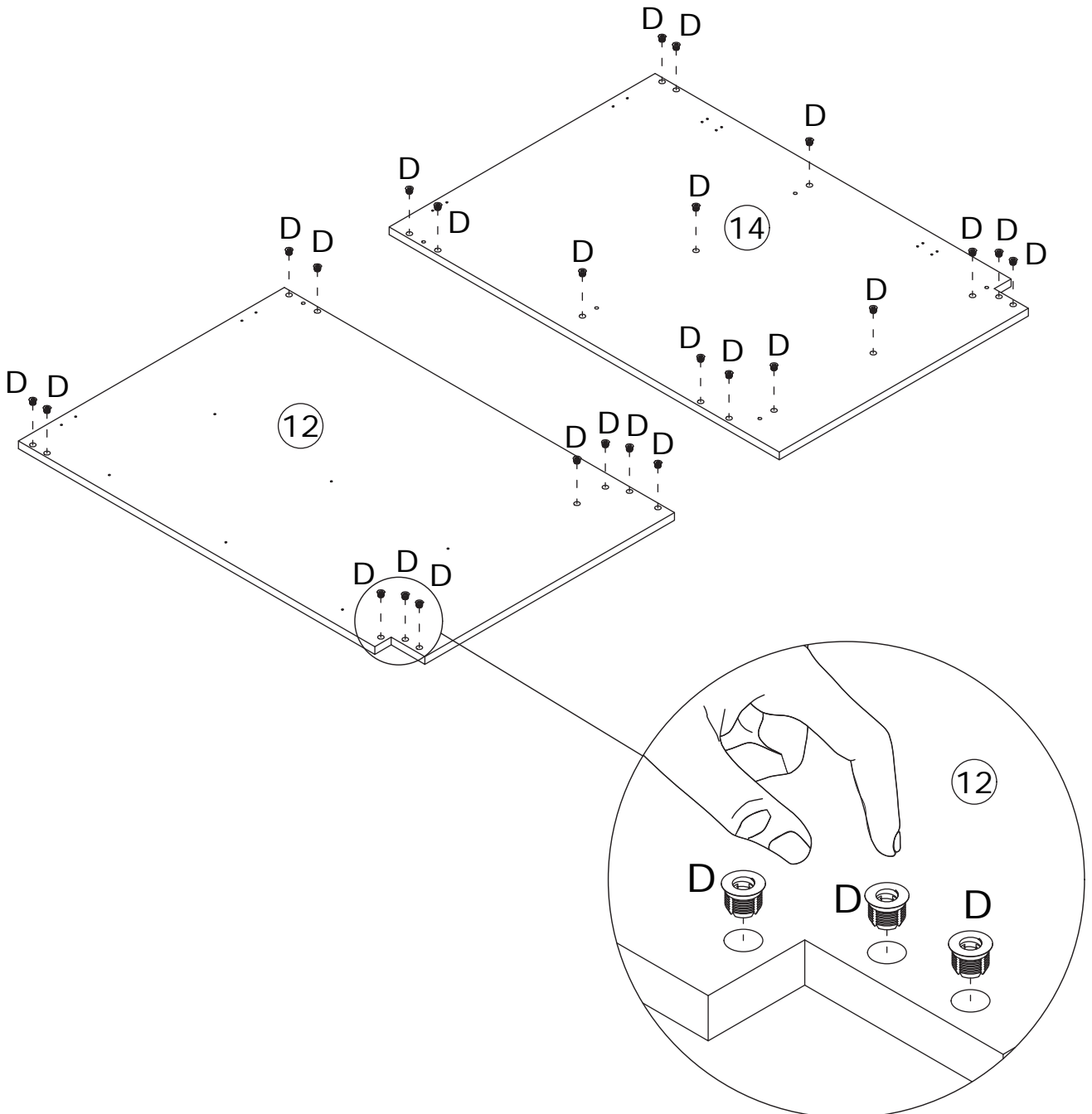


42

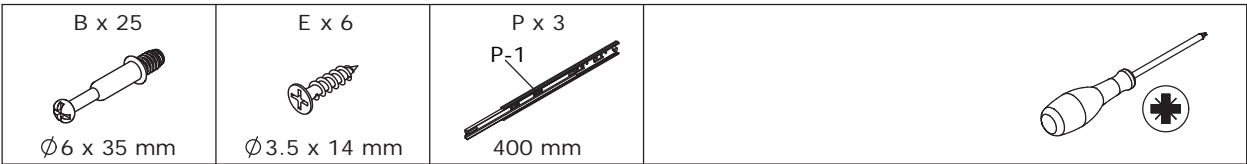
D x 25



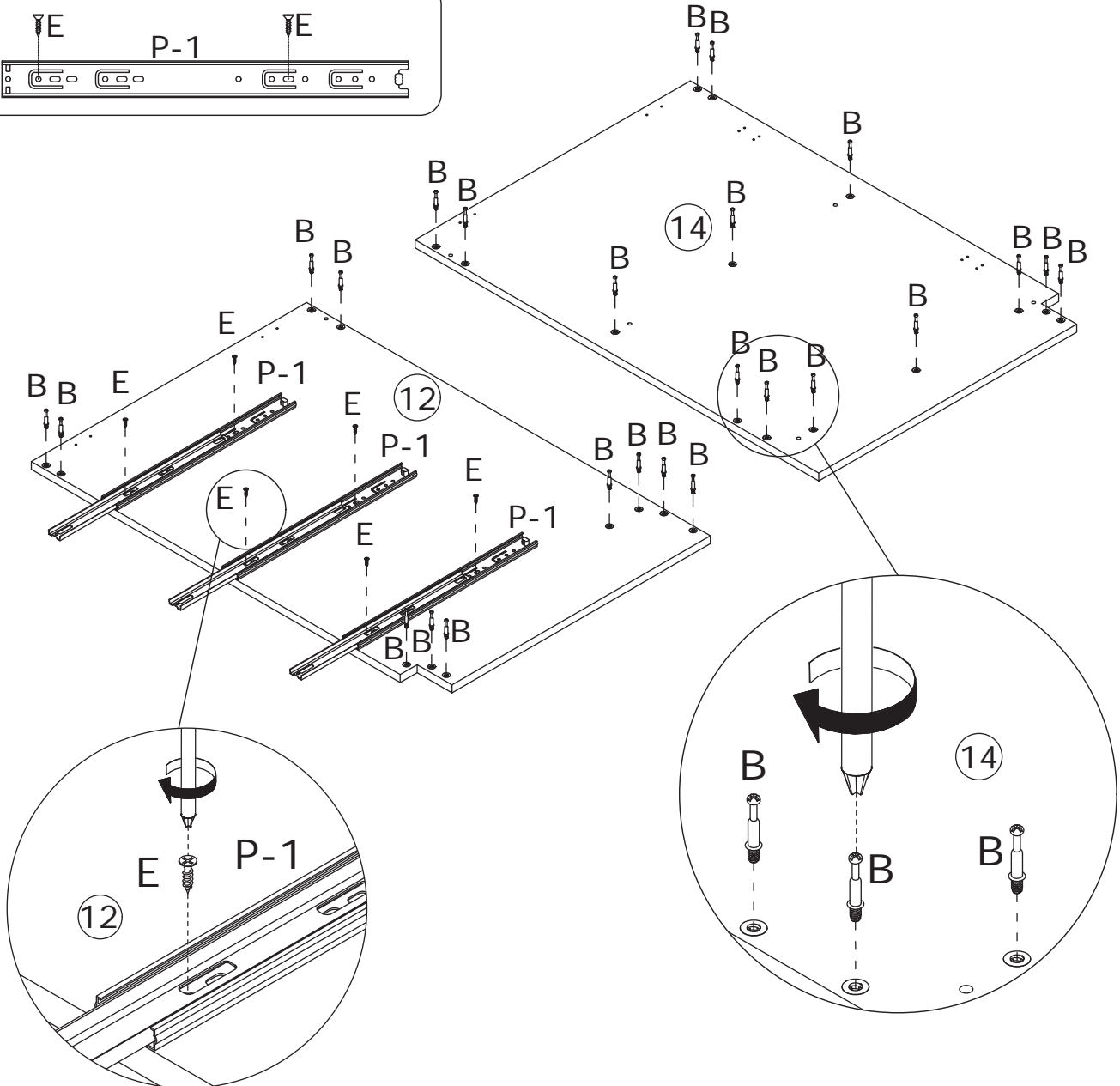
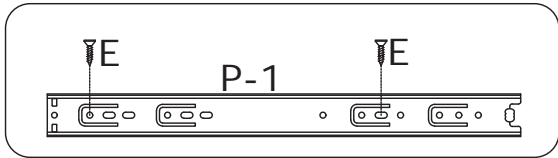
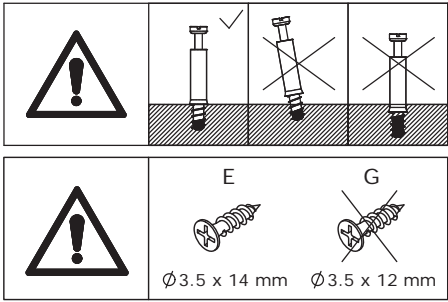
As shown in the diagram, attach part (D) to panel 12 and 14.



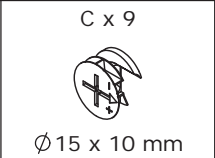
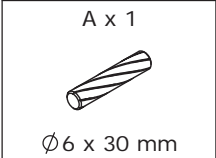
43



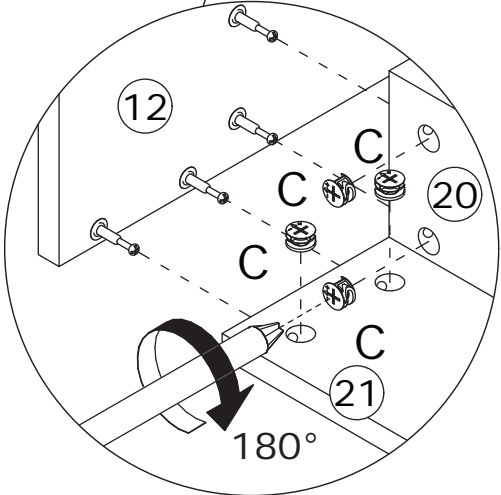
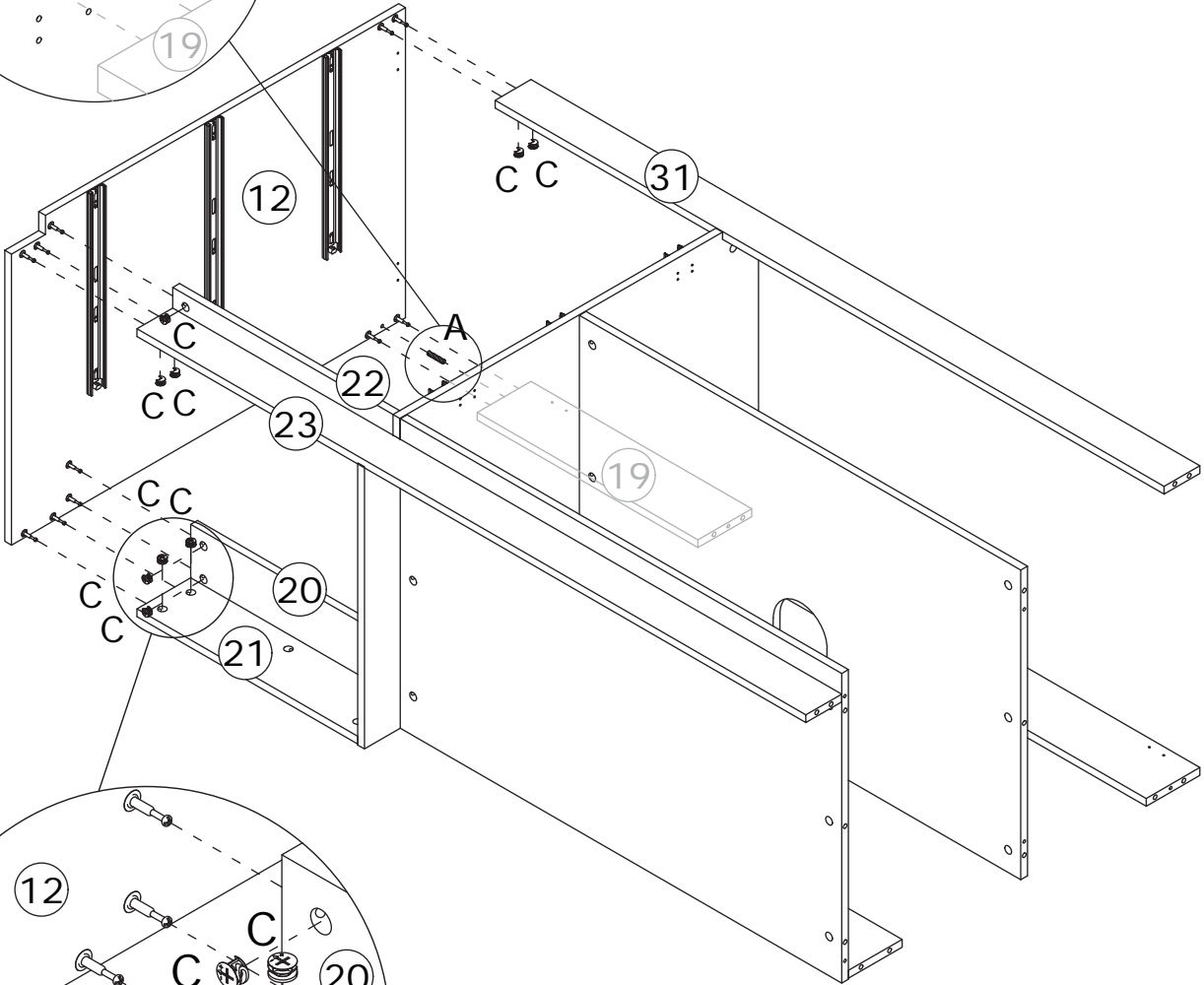
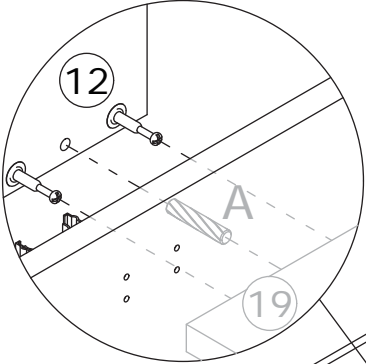
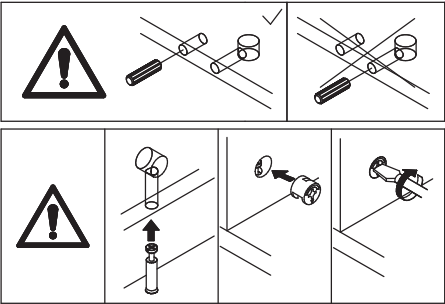
As shown in the diagram, install the slide rail (P-1) to panel 12 using screws (E), and screw the self-tapping rod (B) into panel 12 and 14.



44



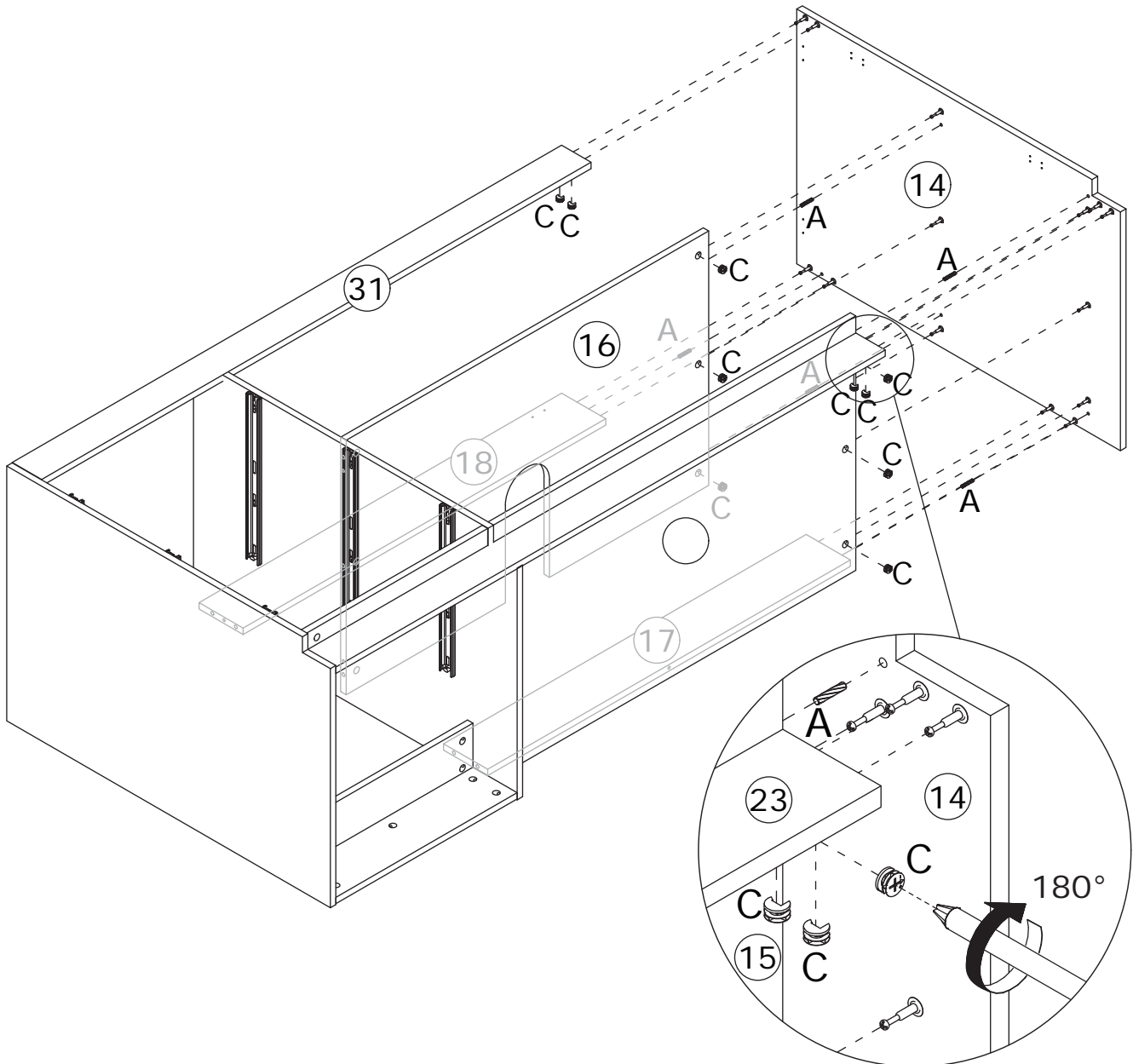
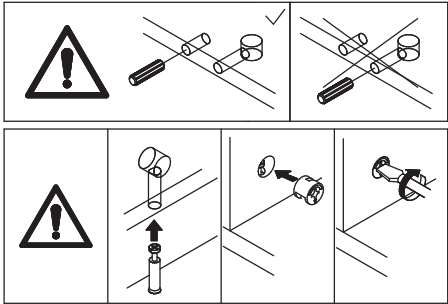
As shown in the diagram, connect panel 12 to the installation unit using dowels (A), then tighten the cam locks (C) by rotating clockwise.




45

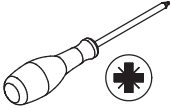


As shown in the diagram, connect panel 14 to the installation unit using dowels (A), then tighten the cam locks (C) by rotating clockwise.

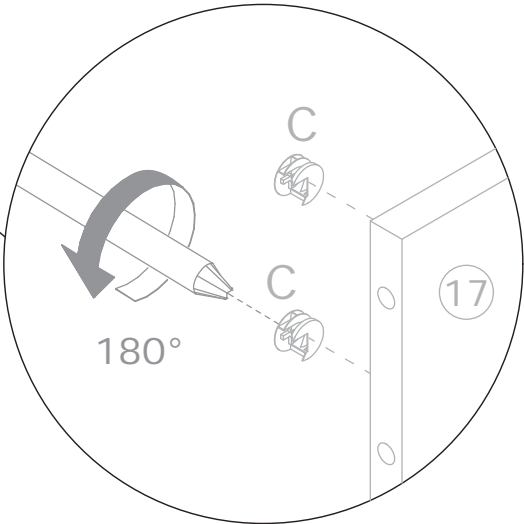
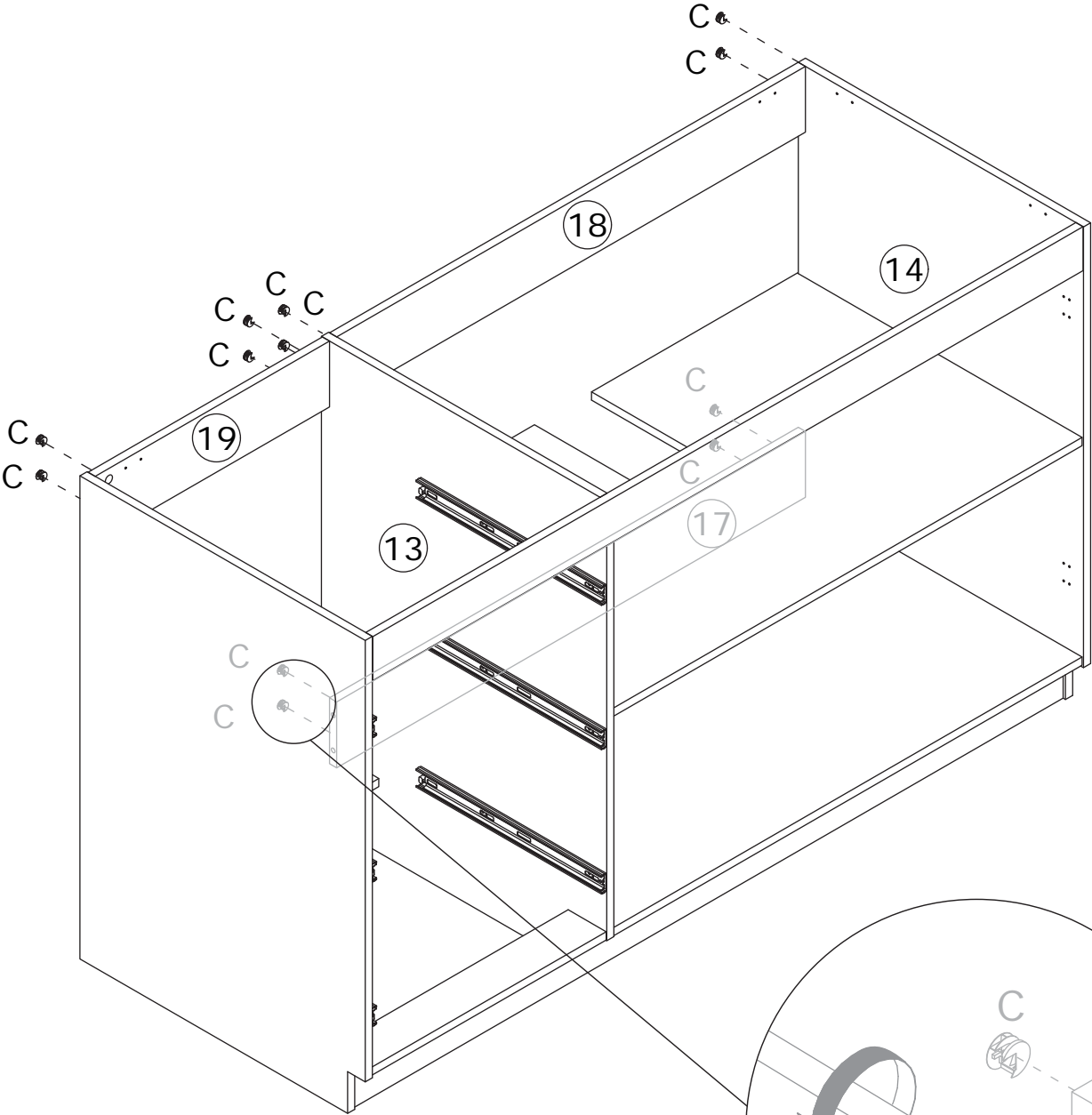
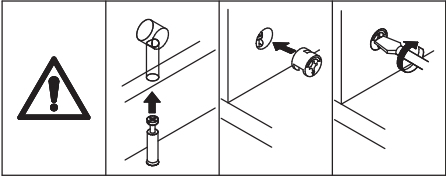


46

C x 12

Ø 15 x 10 mm



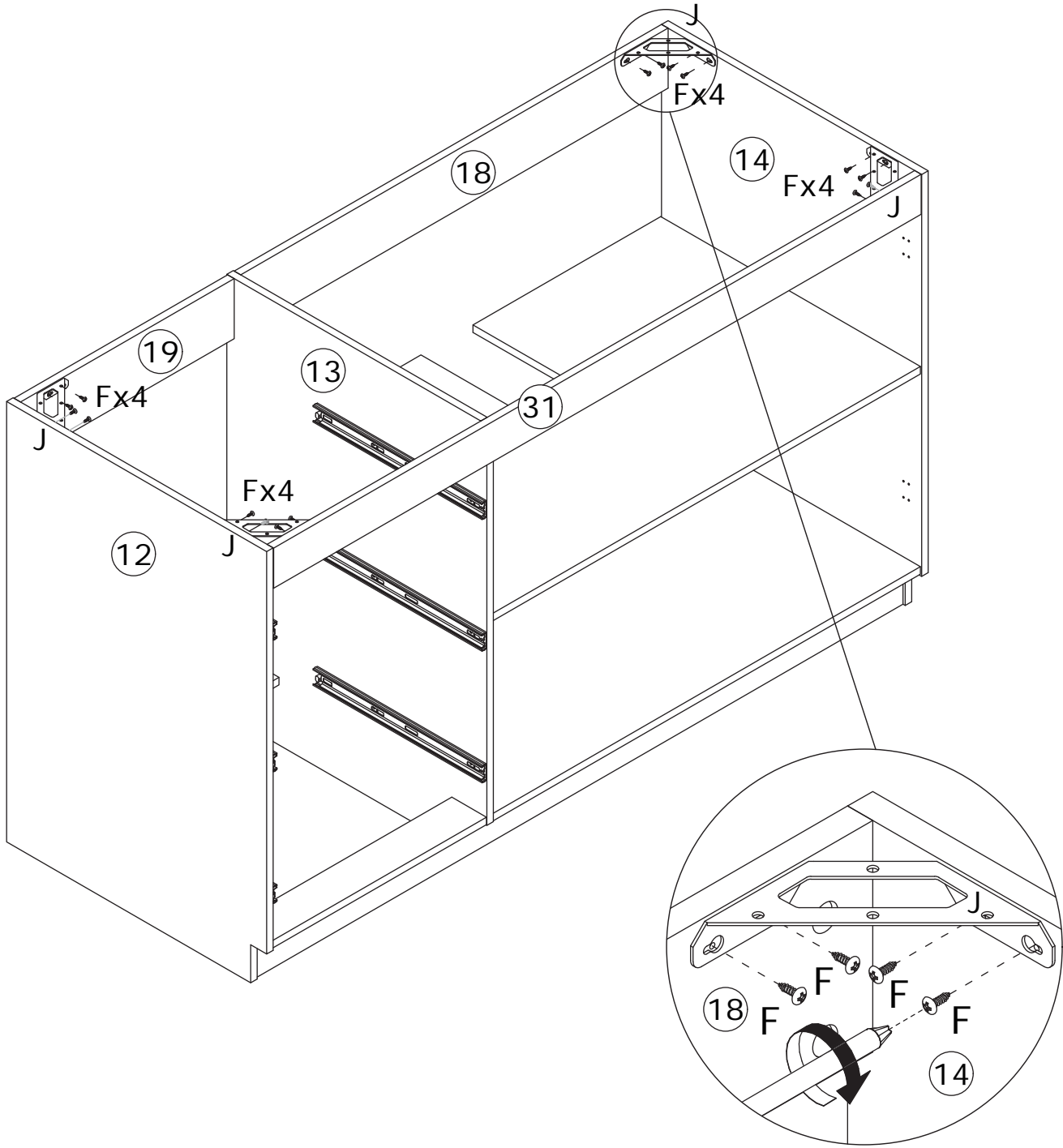
As shown in the diagram, install cam locks (C) on panel 17, 18, and 19, then tighten by rotating clockwise.



47






As shown in the diagram, secure part (J) to the installation unit using screws (F).

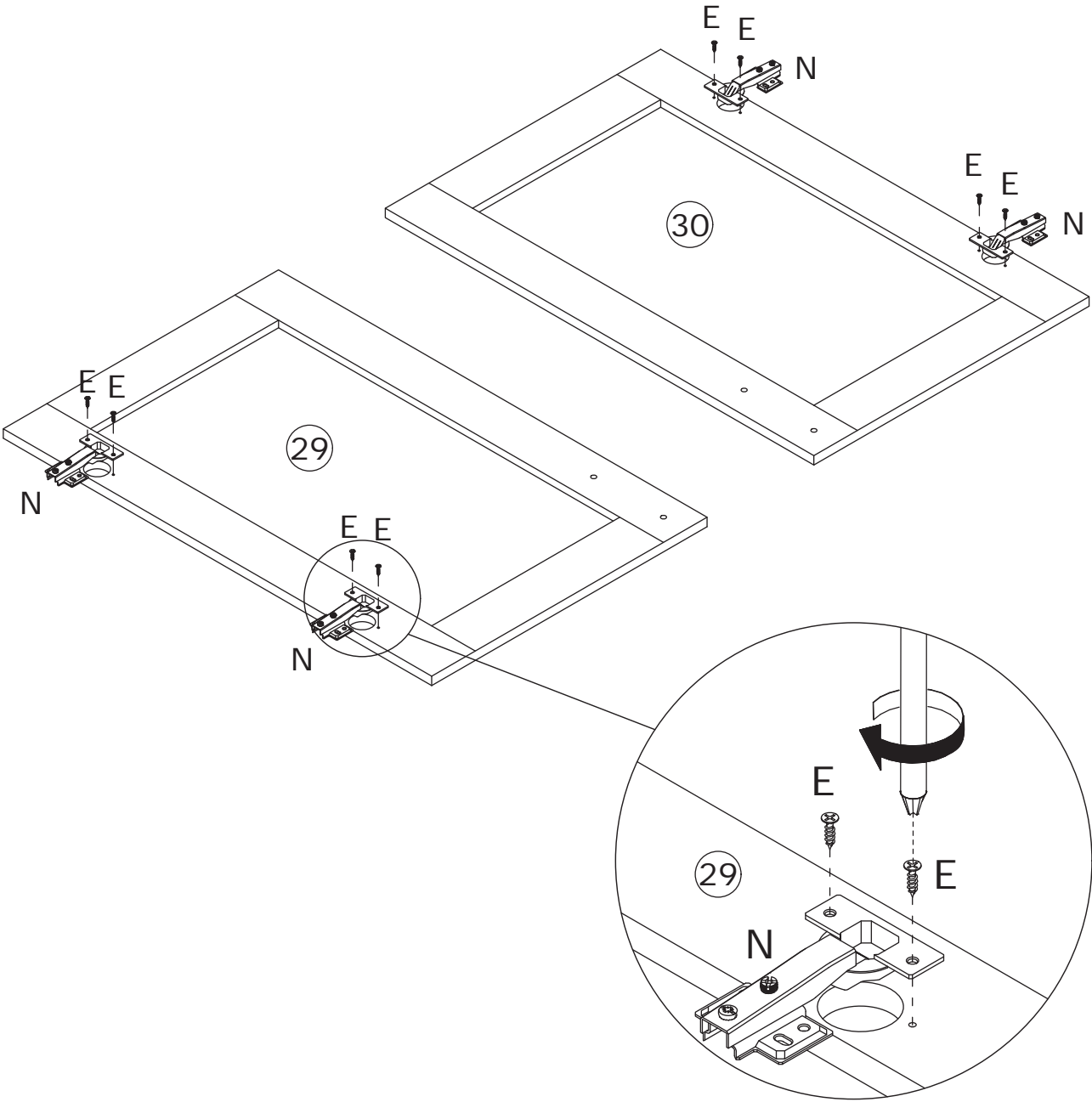


48

<p>E x 8</p>  <p>Ø 3.5 x 14 mm</p>	<p>N x 4</p> 	
---	--	---

	<p>E</p>  <p>Ø 3.5 x 14 mm</p>	<p>G</p>  <p>Ø 3.5 x 12 mm</p>
---	---	---

As shown in the diagram, secure hinge (N) to panel 29 and 30 using screws (E).

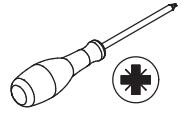


49

E x 16



Ø3.5 x 14 mm



E



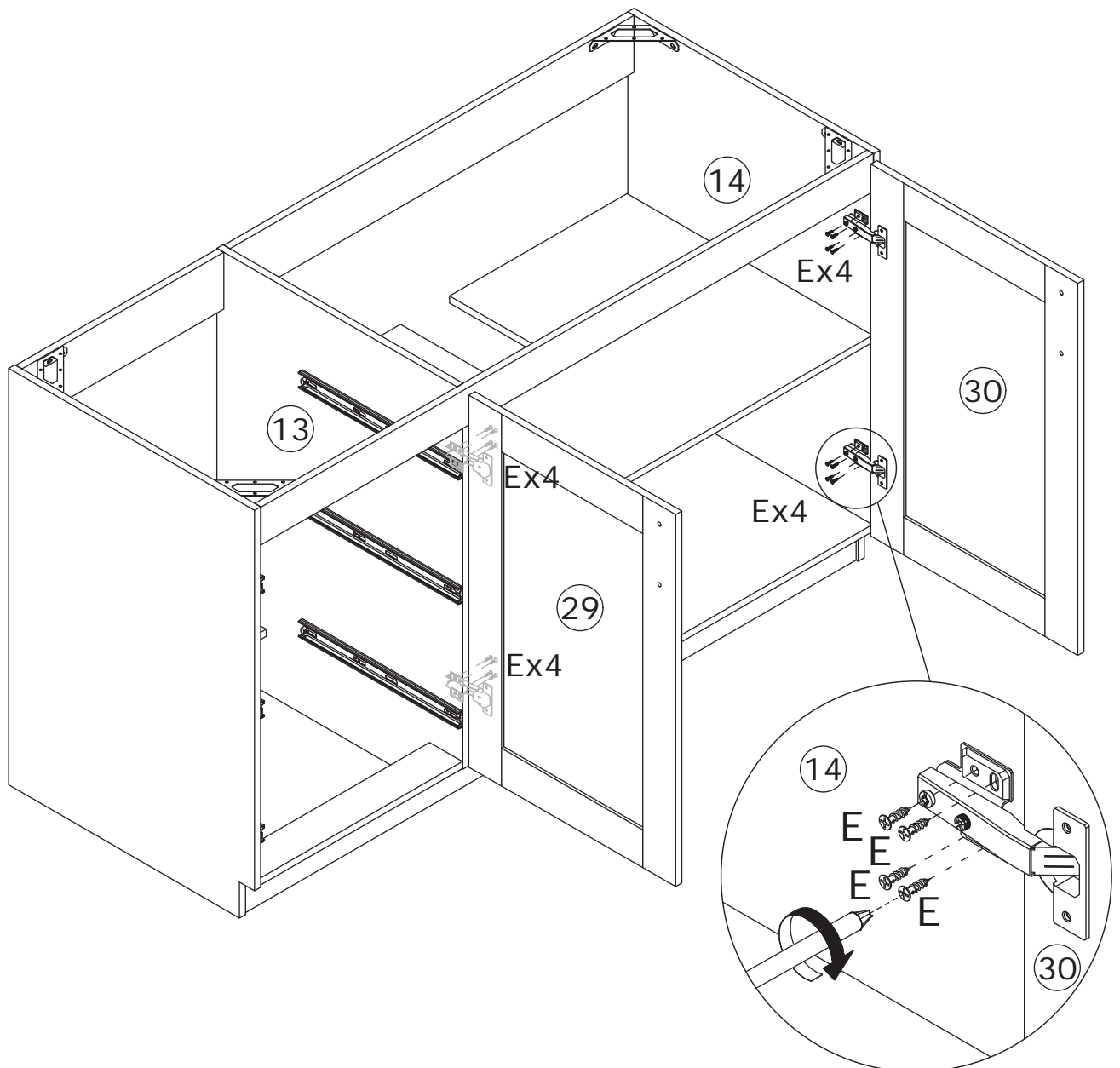
Ø3.5 x 14 mm

G

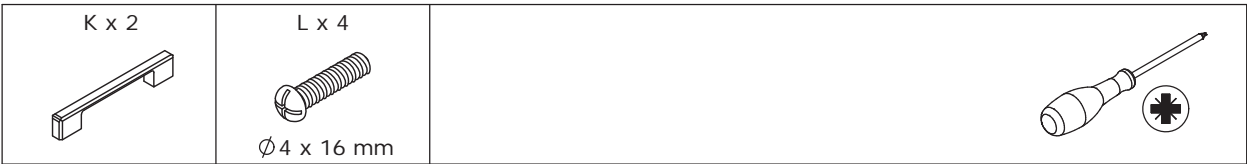


Ø3.5 x 12 mm

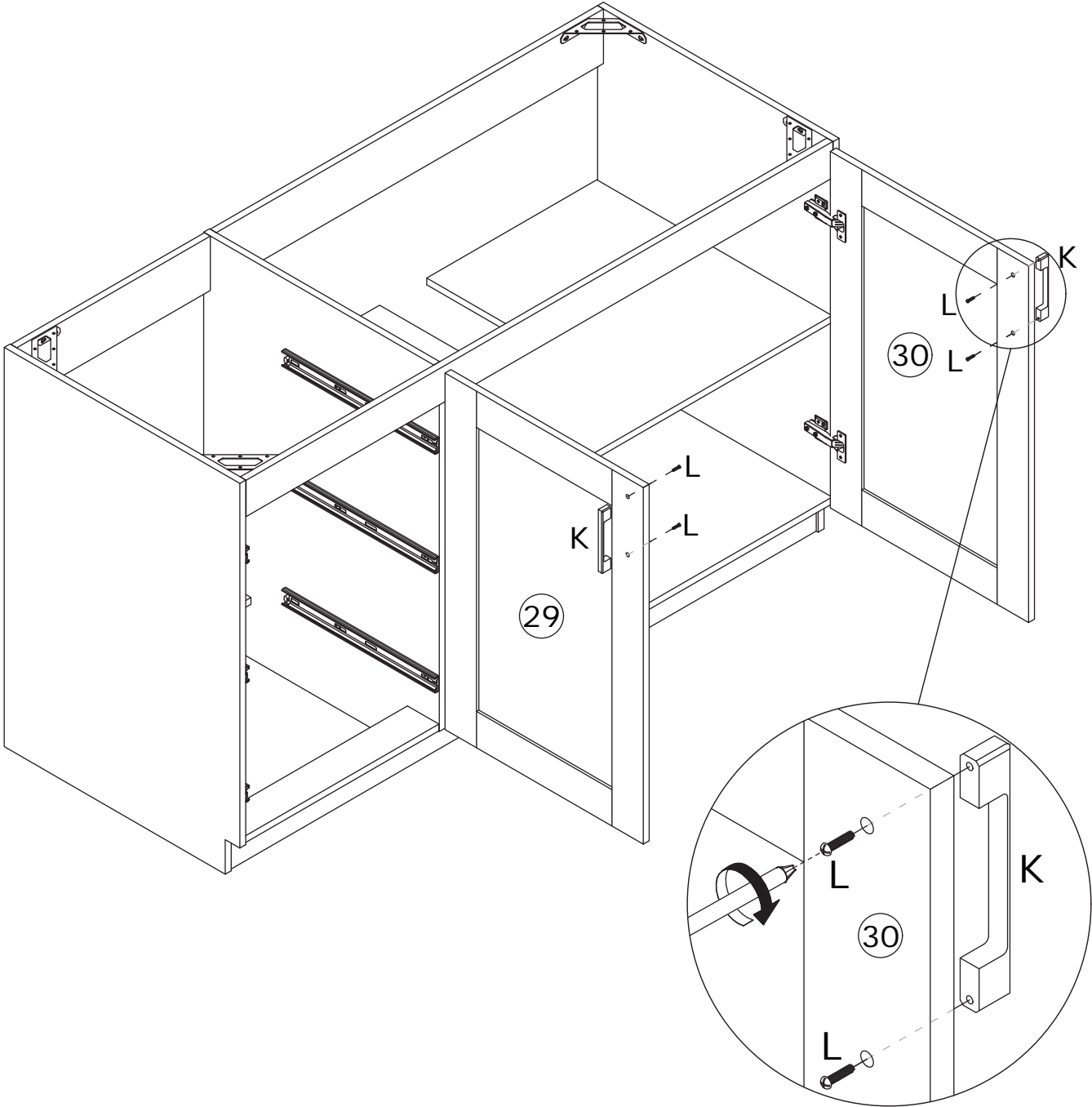
As shown in the diagram, connect panel 29 to panel 13, and panel 30 to panel 14 using screws (E).



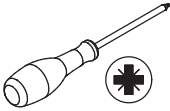
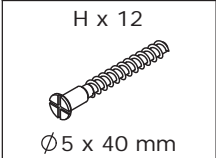
50



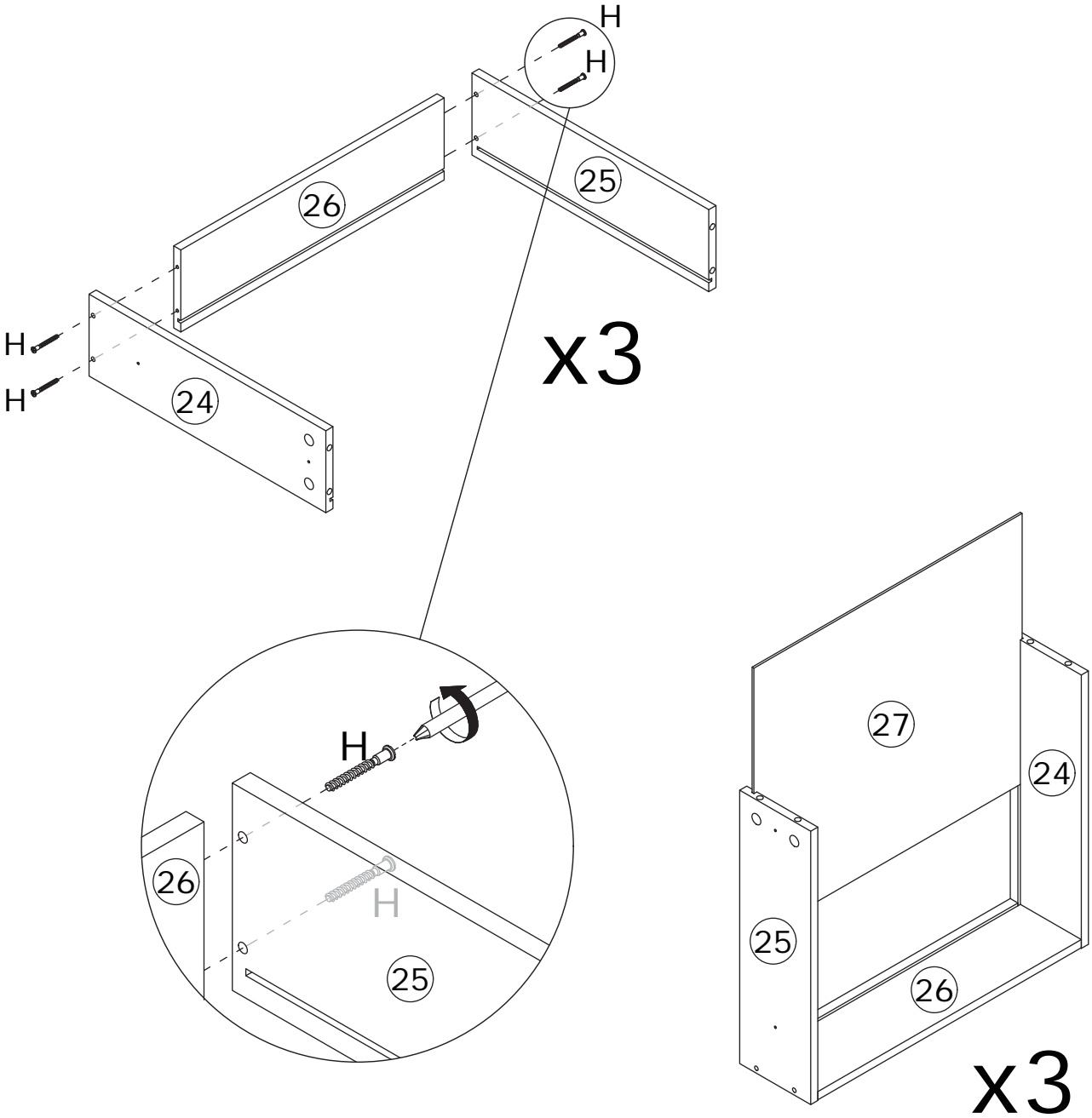
As shown in the diagram, secure handle (K) to panel 29 and 30 using screws (L).



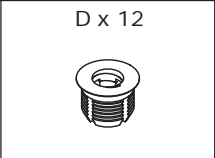
51



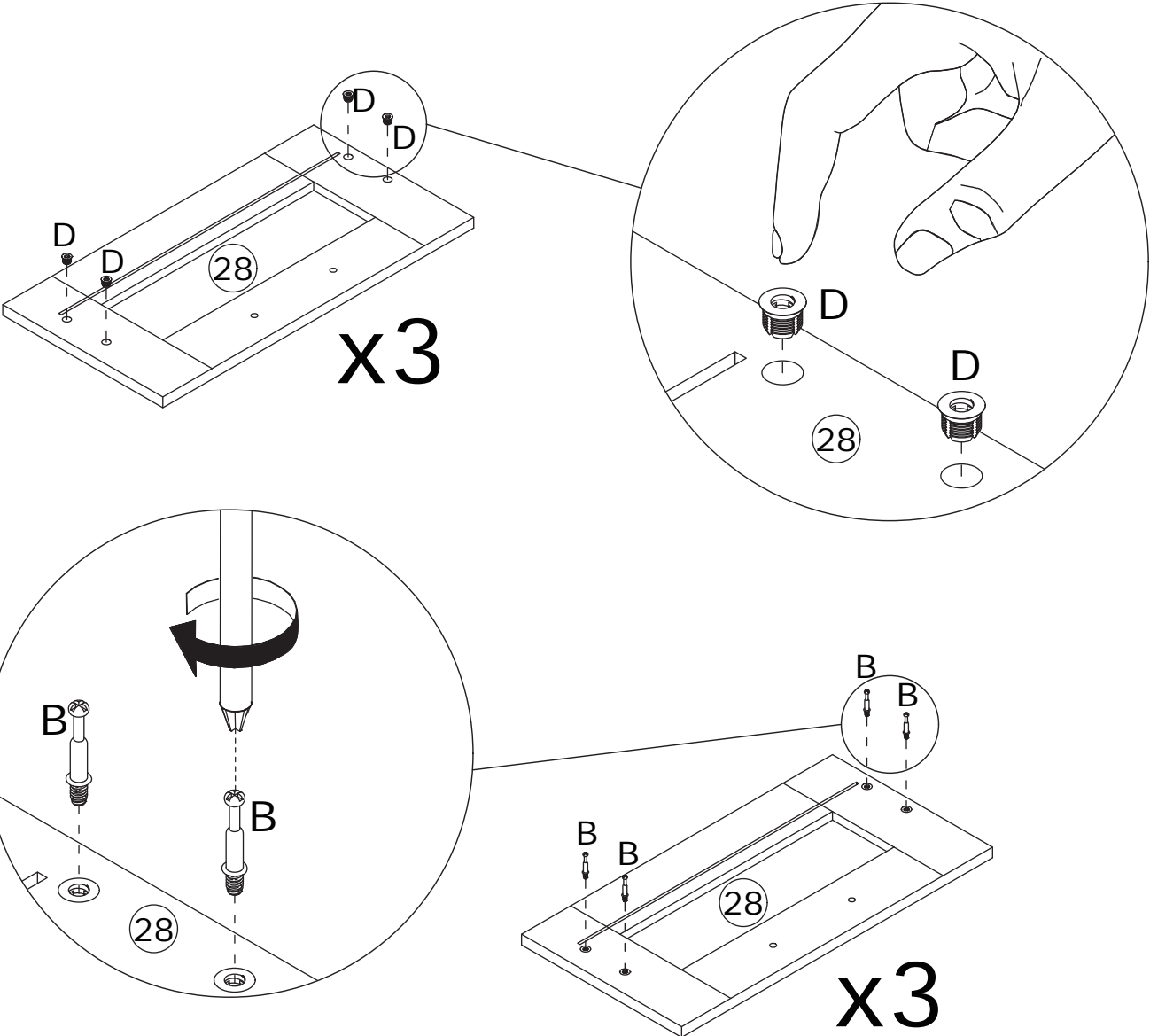
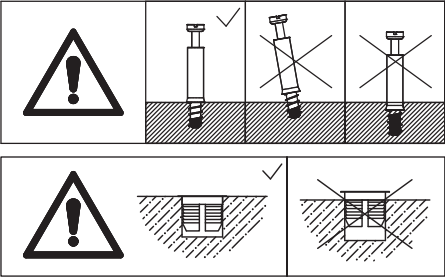
As shown in the diagram, connect panel 26 to panel 24 and 25 using screws (H), and insert panel 27 along the available slot.





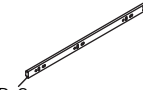
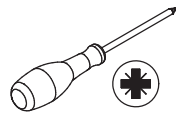
52



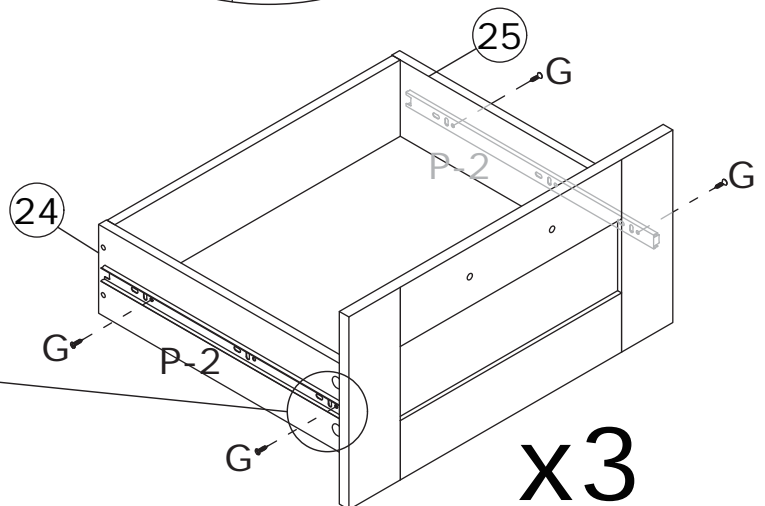
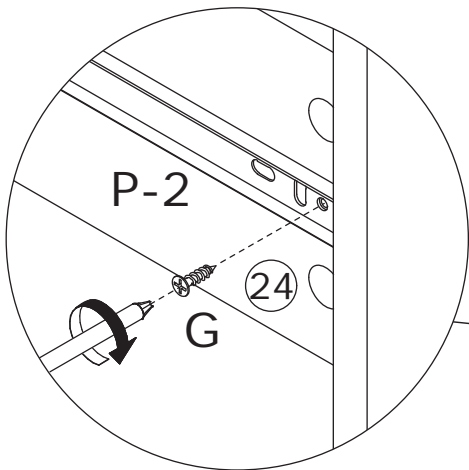
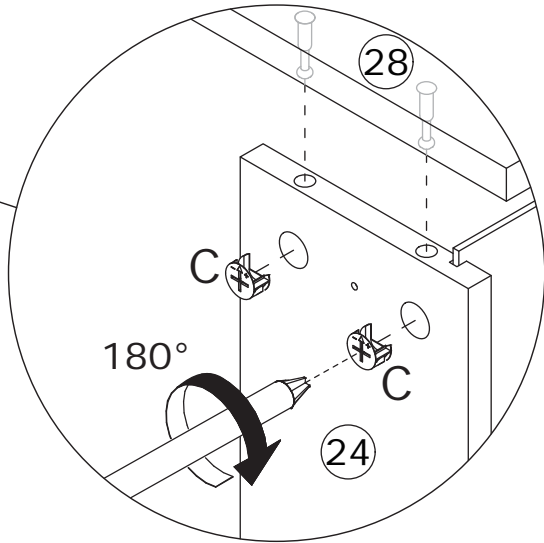
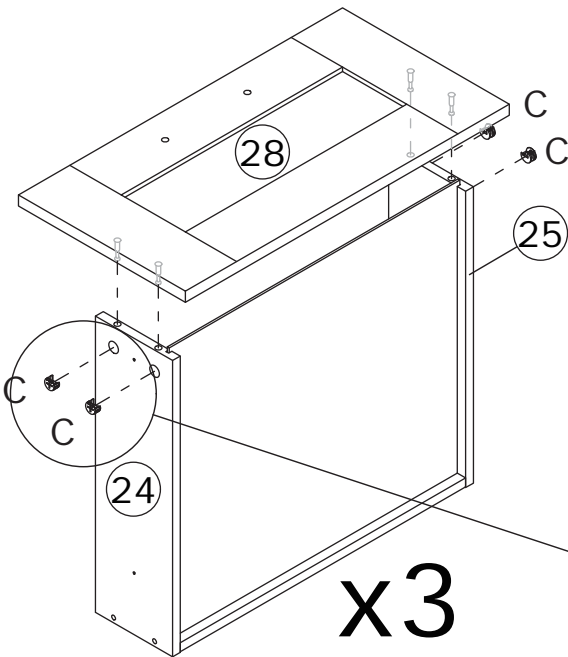
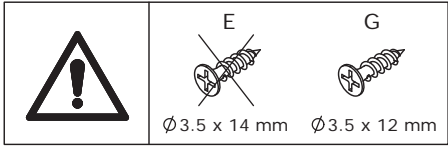
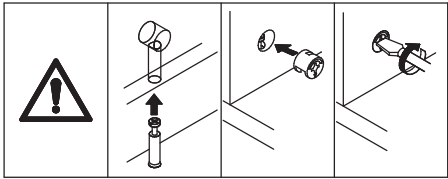
As shown in the diagram, attach part (D) to panel 28, and screw the self-tapping rod (B) into panel 28.



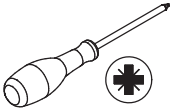
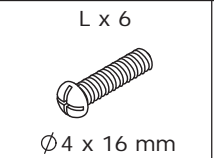
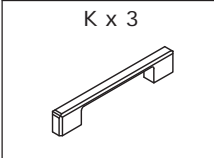
53

<p>C x 12</p>  <p>Ø 15 x 10 mm</p>	<p>G x 12</p>  <p>Ø 3.5 x 12 mm</p>	<p>P x 6</p>  <p>P-2 400 mm</p>	
---	--	--	---

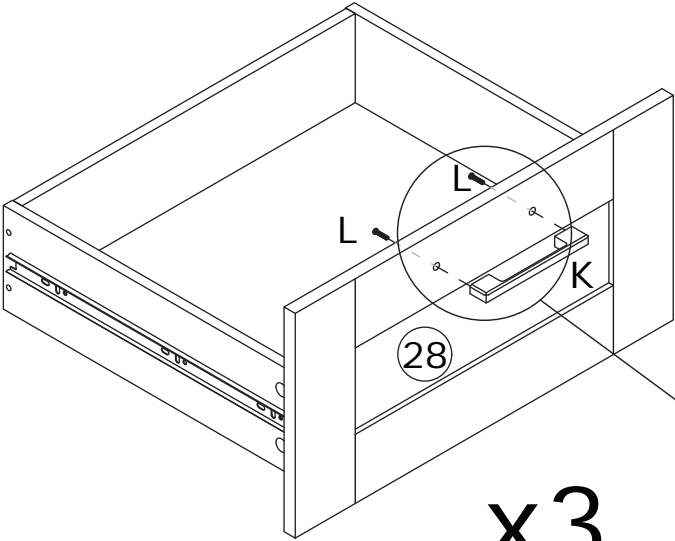
As shown in the diagram, connect panel 28 to panel 24 and 25, tighten the cam locks (C) by rotating clockwise, and install the slide rail (P-2) to panel 24 and 25 using screws (G).



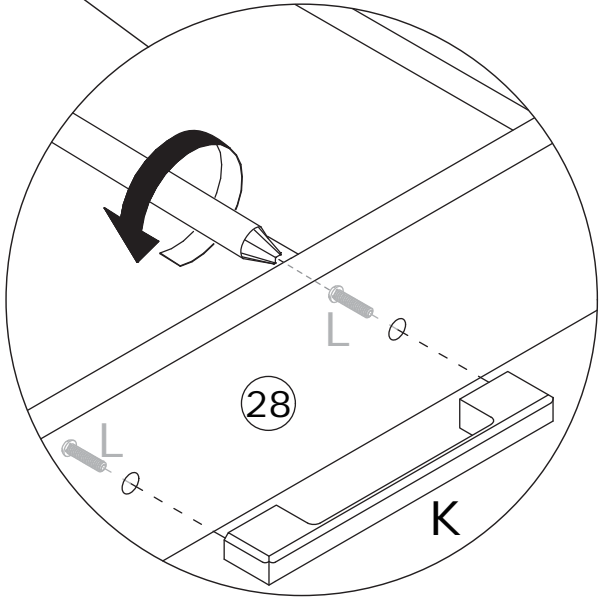
54

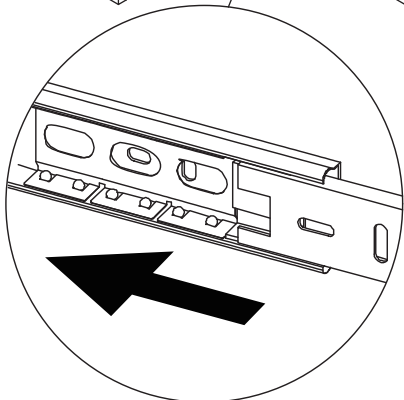
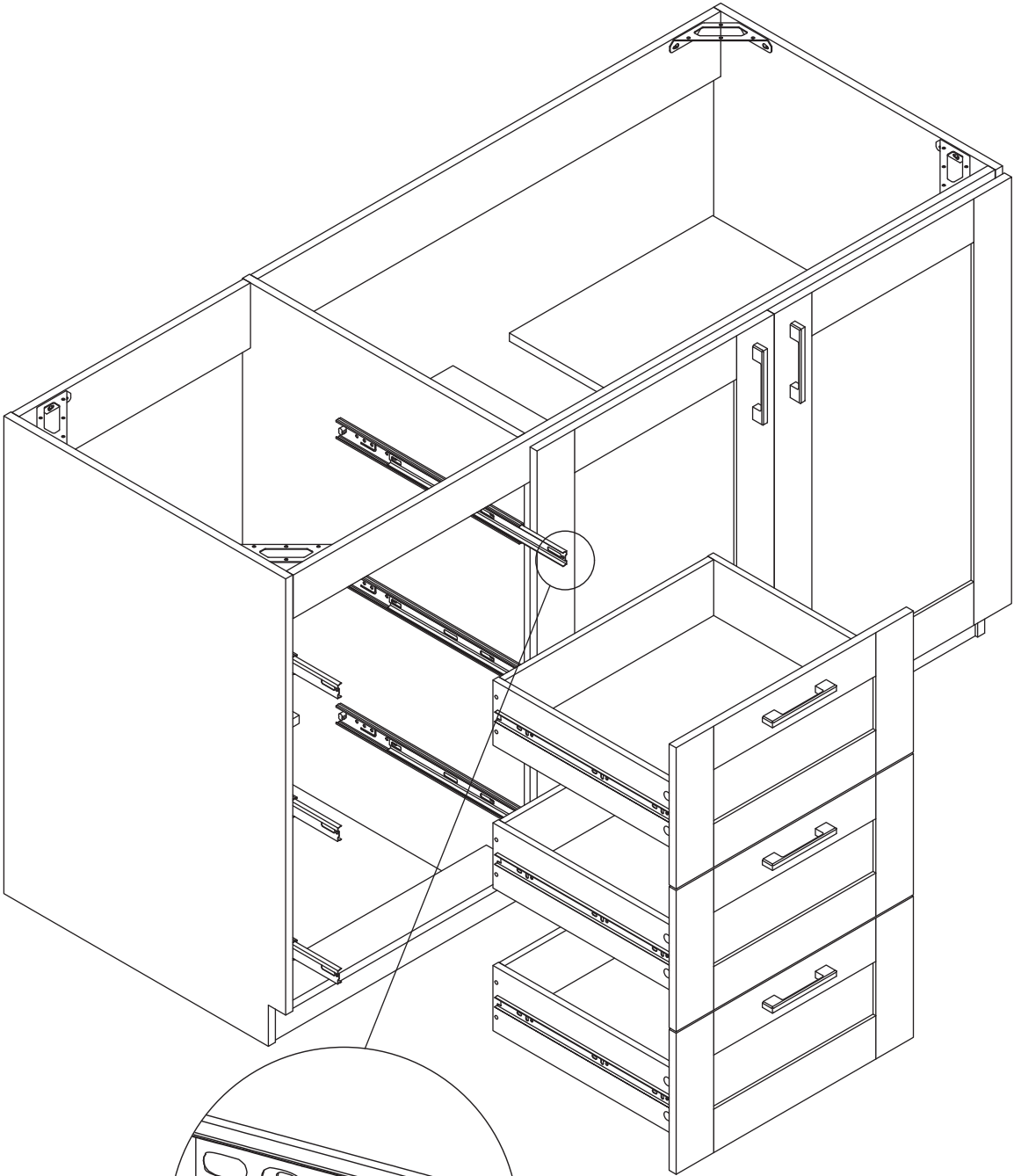


As shown in the diagram, secure handle (K) to panel 28 using screws (L).



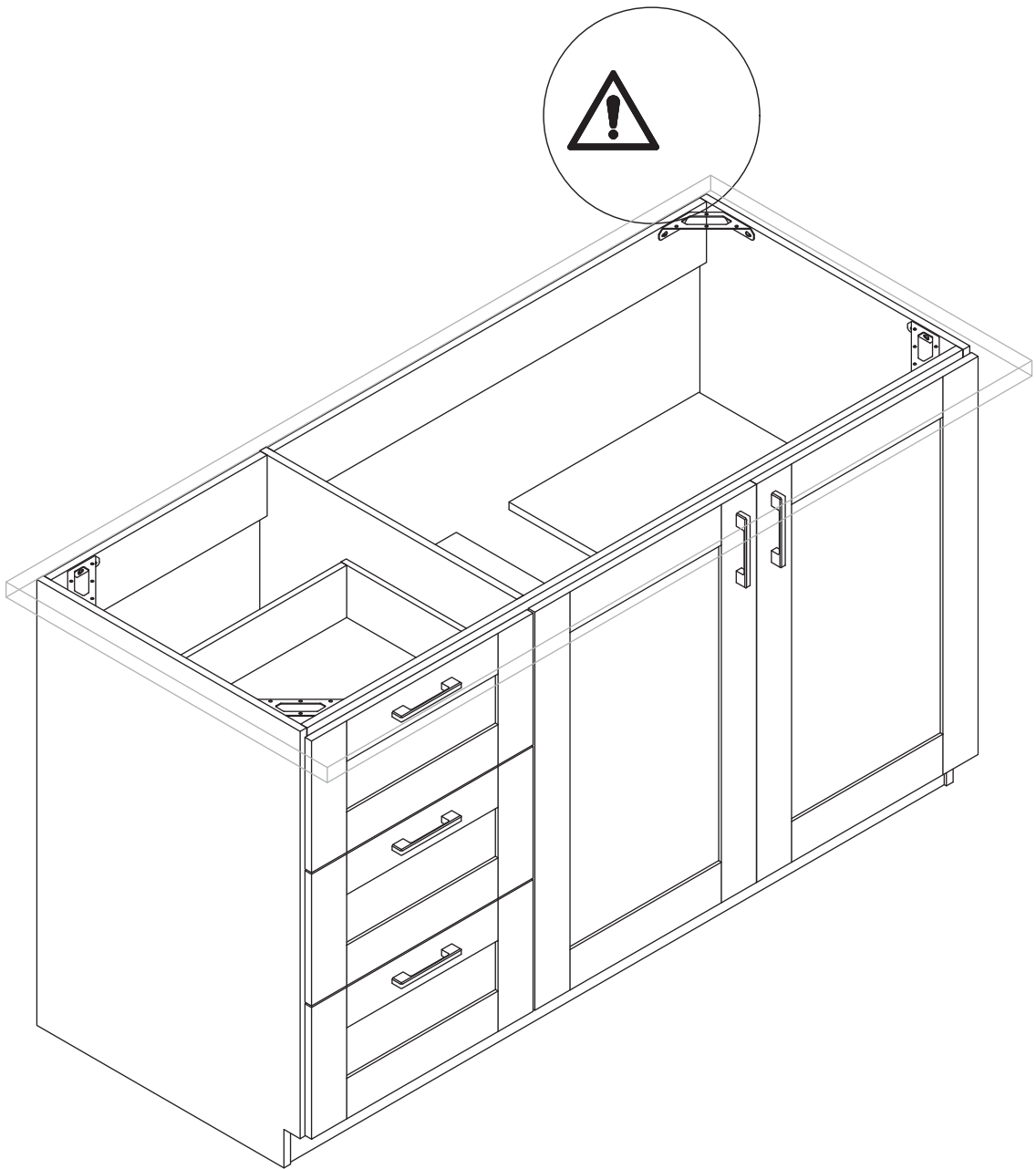
x3



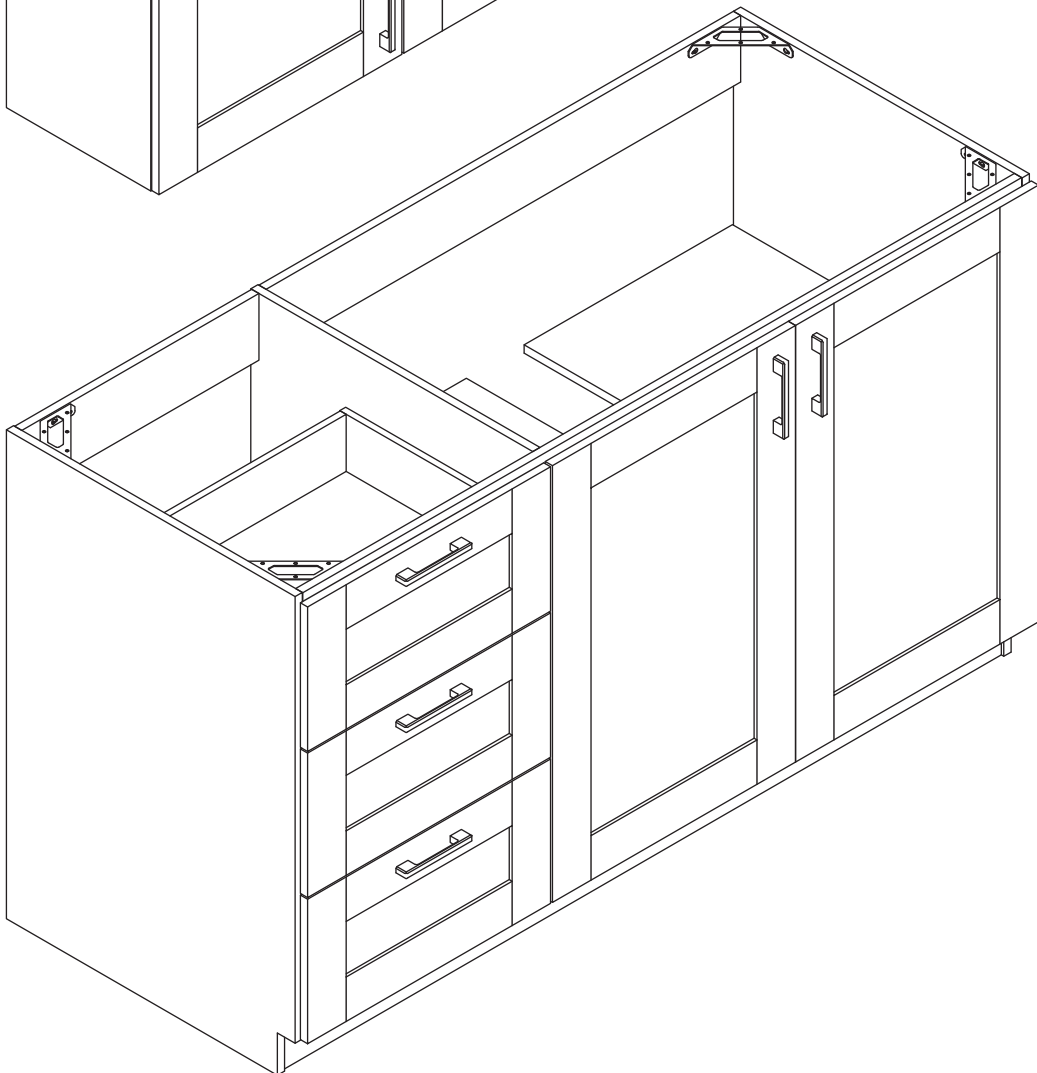
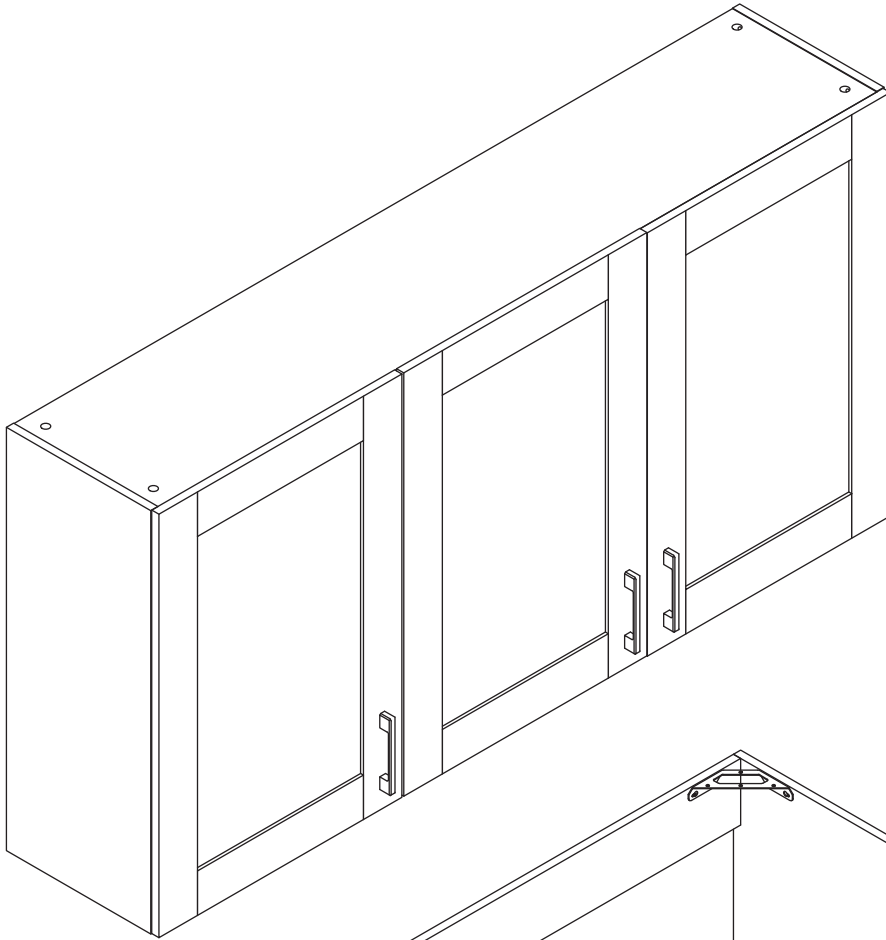


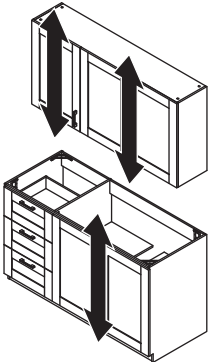
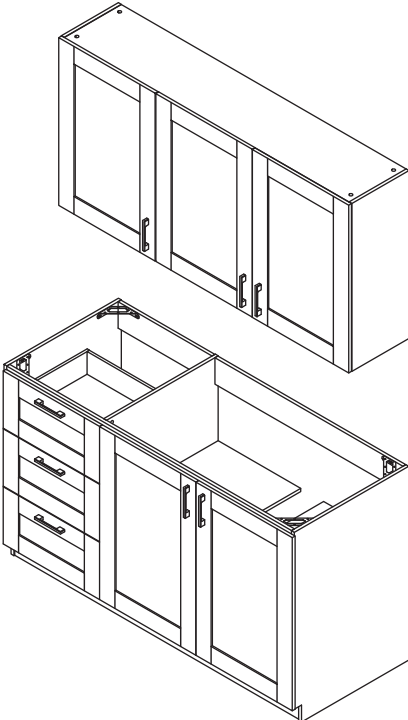
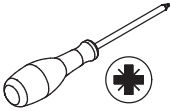
56

As shown in the diagram, install the countertop according to your needs.

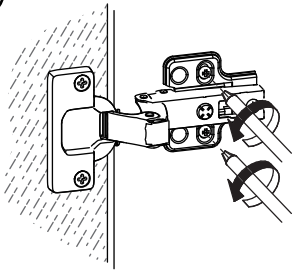


57

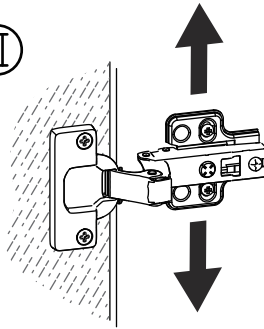




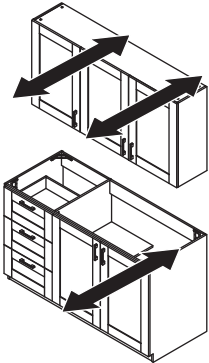
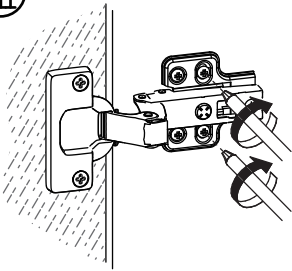
I



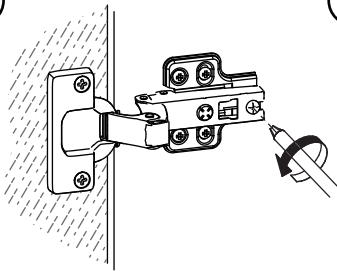
II



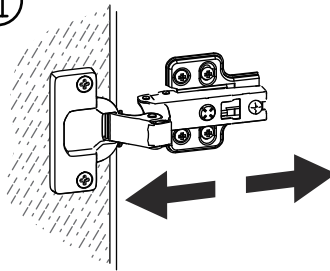
III



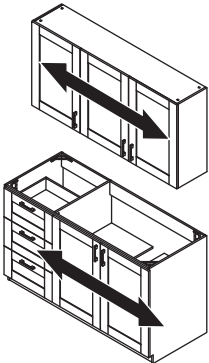
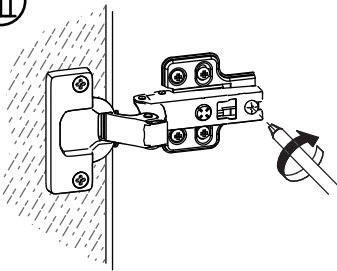
I



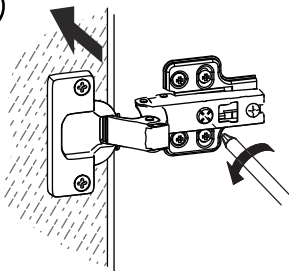
II



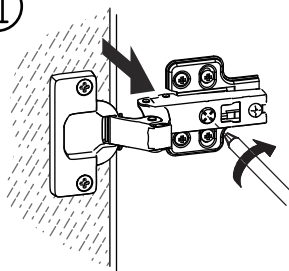
III



I



II



WARRANTY

WARRANTY CLAIMS

- There is a 30-day warranty for broken furniture or any other problems that do not work properly. The warranty will start from the date of purchase which must be verified by proof of purchase.
- Before making a claim, we may be able to answer your query, simply call us. Please leave your purchase order number, along with some details of the problem, if you want a replacement part. We will arrange within 48 hours. If there is out of stock, we will reply with a shipping date.
- The product must be used in accordance with the instructions provided. For health reasons.
- For other reasons, if the furniture needs to be returned, it must be cleaned and dried and operated within 30 days of receipt.

Type of Warranty Claim

- Failure to follow the furniture instructions will invalidate the warranty. Attention please.
- Does not include damage during installation, but includes damage during transportation.

Scope of responsibility

- Shall not bear any responsibility for misuse or user damage and / or loss of parts during the installation of furniture.
- After using, the damage and scratches of the furniture are not covered by the warranty.

The Warranty Relates to All Bought in The Us and Covers The Following Areas

- Sheet parts: 1 month from the date of purchase.
- Electrical parts: 1 month from the date of purchase.

RETURNS

CHANGED YOUR MIND AND NEED TO RETURN YOU ITEM?

PLEASE FOLLOW THE BELOW INSTRUCTIONS:

- If you have purchased and have simply changed your mind, follow the retailer's instructions for returns.

DEFECTIVE ITEMS

- If your item is defective in any way, i.e. it doesn't work but you can't identify why, in the first instance, please call us.

DAMAGED ITEMS

- If you receive an order with obvious shipping damage from the retailer, then we suggest the delivery is refused. If the delivery has been accepted and then shipping damage is found, please follow the specific instructions advised by the retailer.
In all circumstances please save all packaging material and paperwork for the order. Please be aware that if you dispose of packaging material or attempt to return the merchandise without contacting the fulfiller, you jeopardise your chances of making a claim, and you may not receive a credit for the return.