

► **Thank you for purchasing our picnic table!**

We are dedicated to crafting high-quality products that create more comfortable and inviting outdoor spaces.

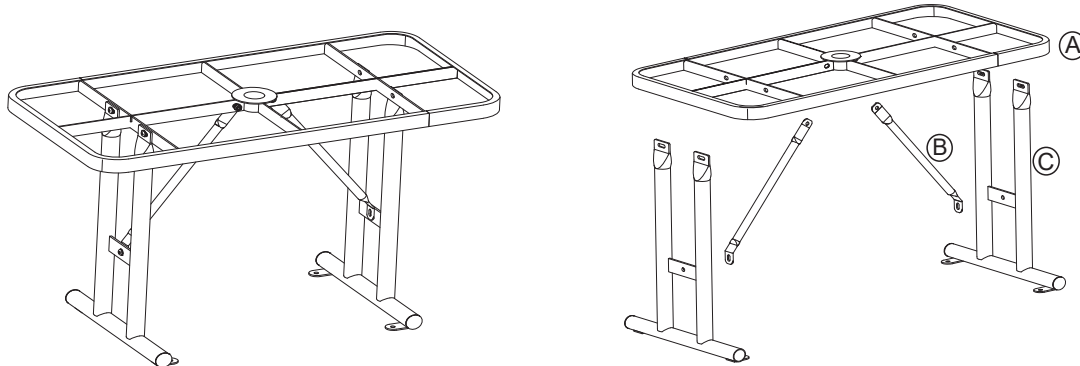
► **Important Delivery Note:**

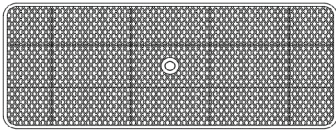

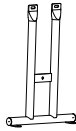

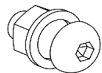

Your order will ship in two separate packages per each table set arriving at different times.

► **Please wait to begin assembly until all packages have been received.**

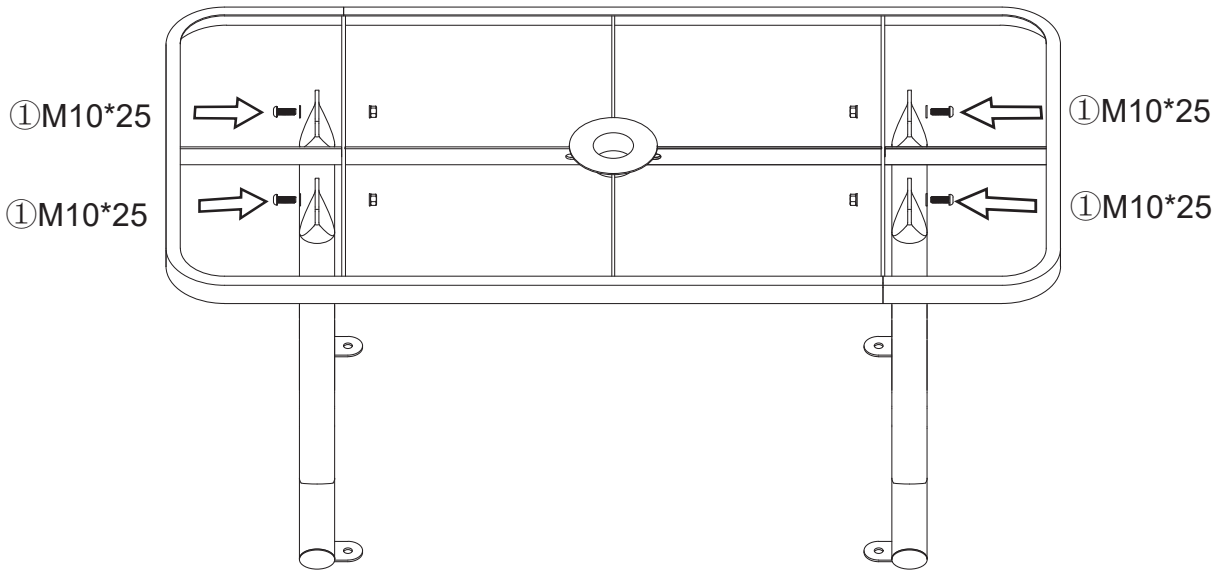
We appreciate your understanding regarding this process.

ASSEMBLY GUIDANCE



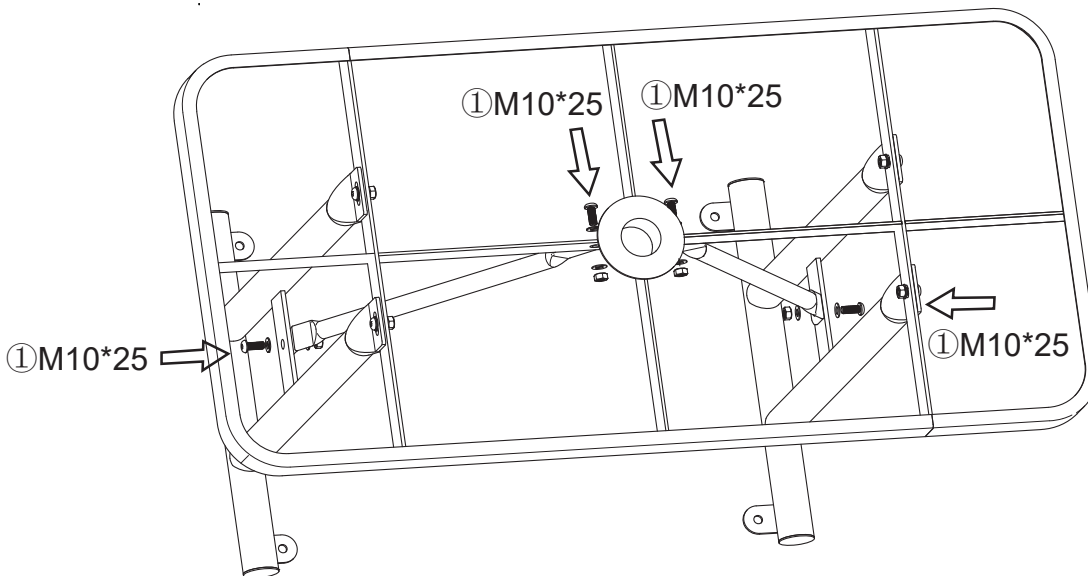
Part list			
A×1	B×2	C×2	assembly tools
			
① M10*25×8	② M8*80 ×4		
			

STEP 1



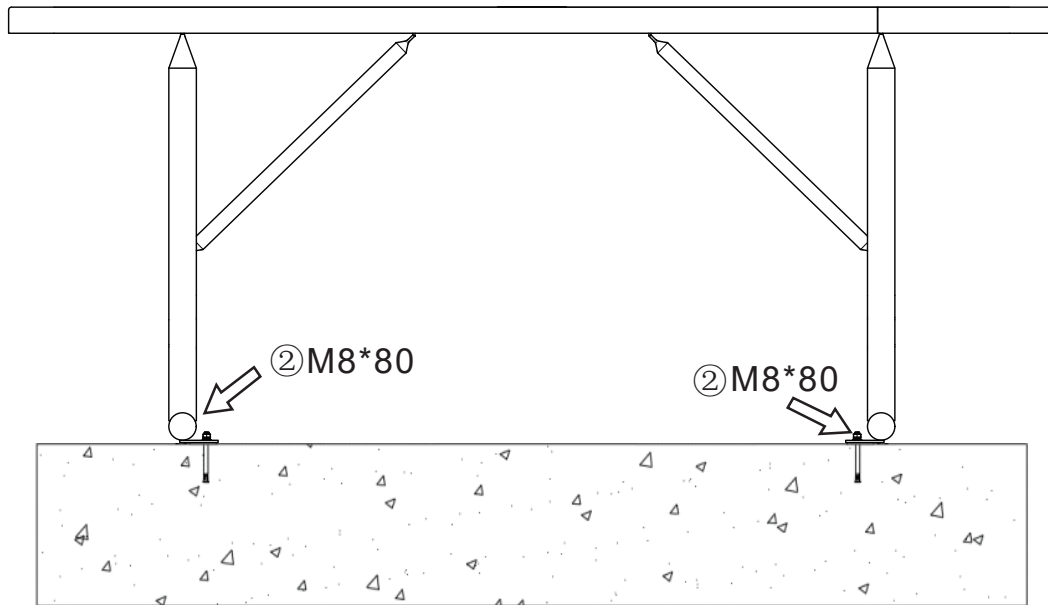
Please install the table legs on the outside of the tabletop.

STEP 2



Please note that the pull rod is halfway between the table leg and the tabletop.

STEP 3



Should you have any questions or concerns, please feel free to contact our customer service team through the platform.

Thank you for your trust in our products !