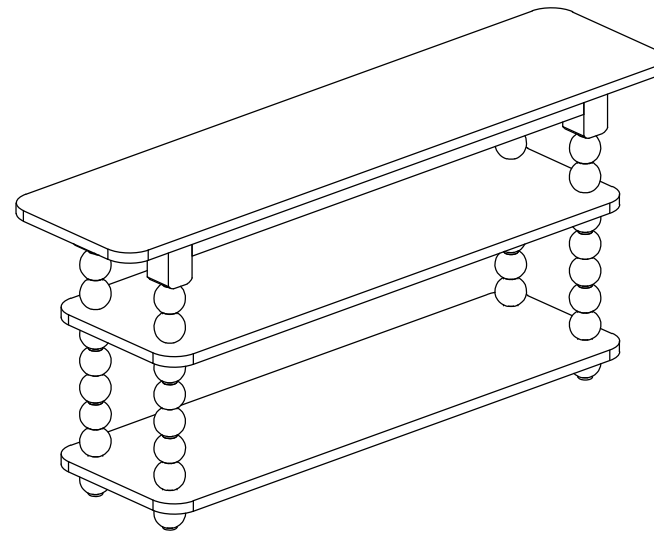


NORBERT 2 SHELF WOOD CONSOLE TABLE

DESIGN # SFV5795A

Assembly Instructions



Need help?

Feel free to contact us via email or call
if you have any specific questions!

contact us:

cs@safavieh.com

866-422-9070

SAFAVIEH
COUTURE

Thanks for bringing Safavieh Couture into your home

Everything we make is incredibly simple to set up, including your desk. you won't need any additional tools.

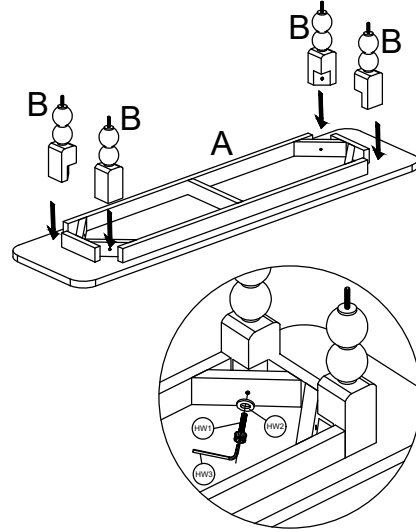
Parts List

- A x 1
TOP
- B x 2
LEG
- C x 2
LEG
- D x 4
MIDDLE LEG
- E x 4
BOTTOM LEG

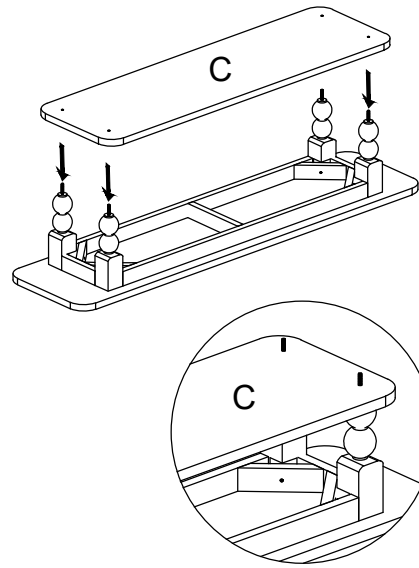
Hardware List

- HW1 x 4
Allen bolt 70x8MM
- HW2 x 4
Flat washer 25x8MM
- HW3 x 1
Allen Key 6MM

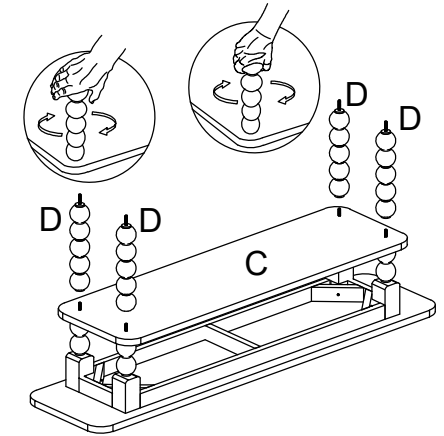
1 Place the Table Top (A) upside down on a soft and clean surface. Align the screw holes on the Legs (B) to the screw holes on the wooden strip of the Table Top (A). Fix it with Flat Washers (HW2) & Allen Bolts (HW1). Tighten it by using the Allen Key (HW3).



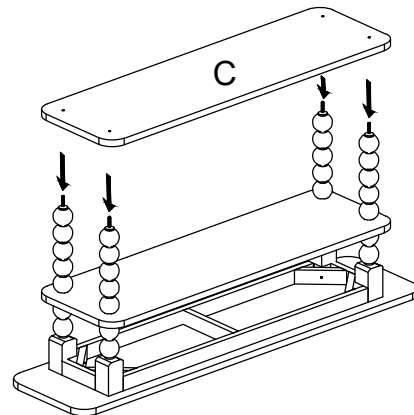
2 Place the Wooden Shelf (C) on the Leg (B).



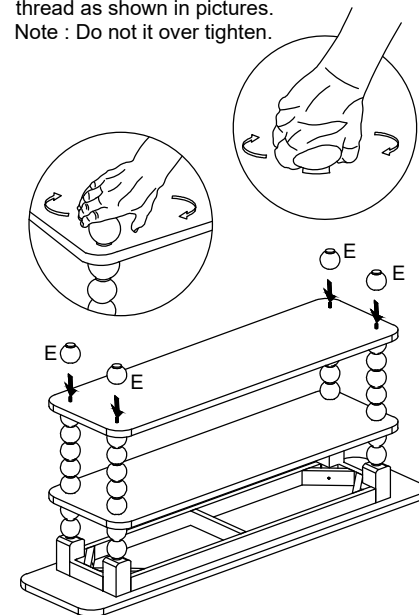
3 Fix the Middle Leg by hand with Metal thread as shown in pictures.
Note : Do not it over tighten.



4 Place the Wooden Shelf (C) on the Middle Leg (D).



5 Fix the Bottom Leg (E) by hand with Metal thread as shown in pictures.
Note : Do not it over tighten.



6 Place the desk in the place where you will use it.

We'd love to see it - just tag us (we're @safavieh) and use the hashtag #safavieh on Instagram

@safavieh

