



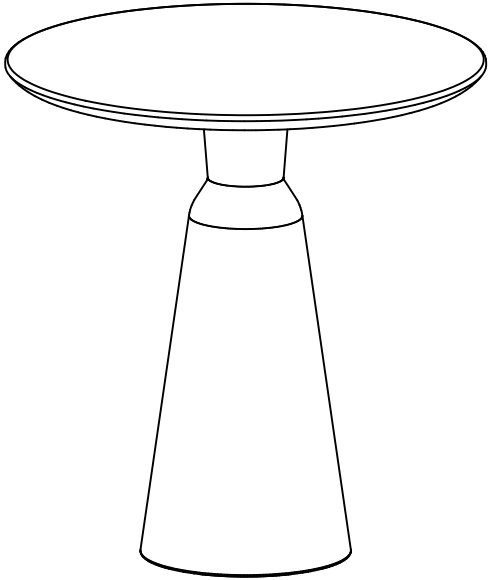


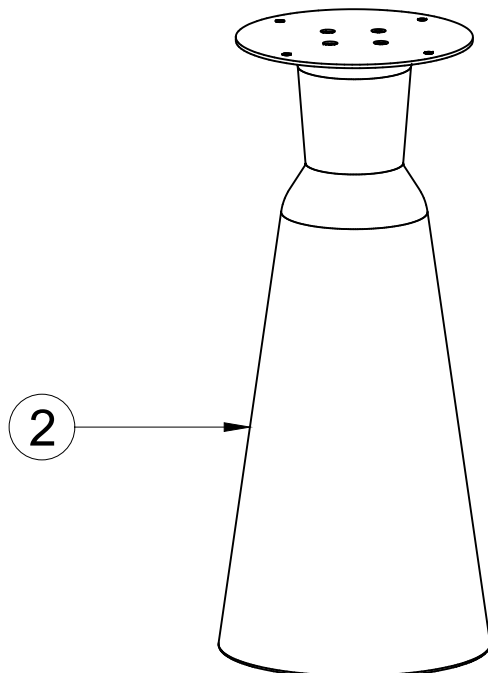
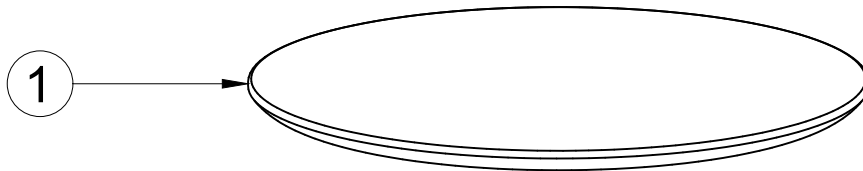
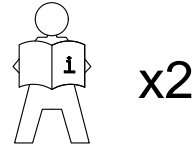
ASSEMBLY INSTRUCTION FOR
MODEL: MARSH OUTDOOR BAR TABLE - COUNTER

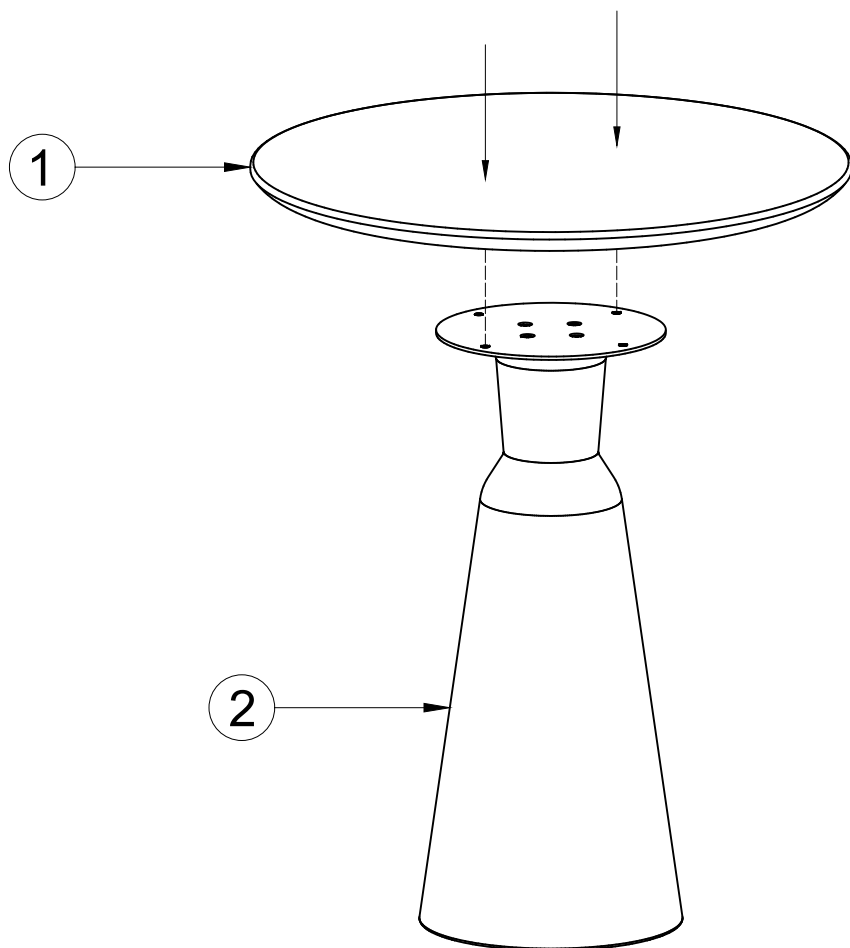
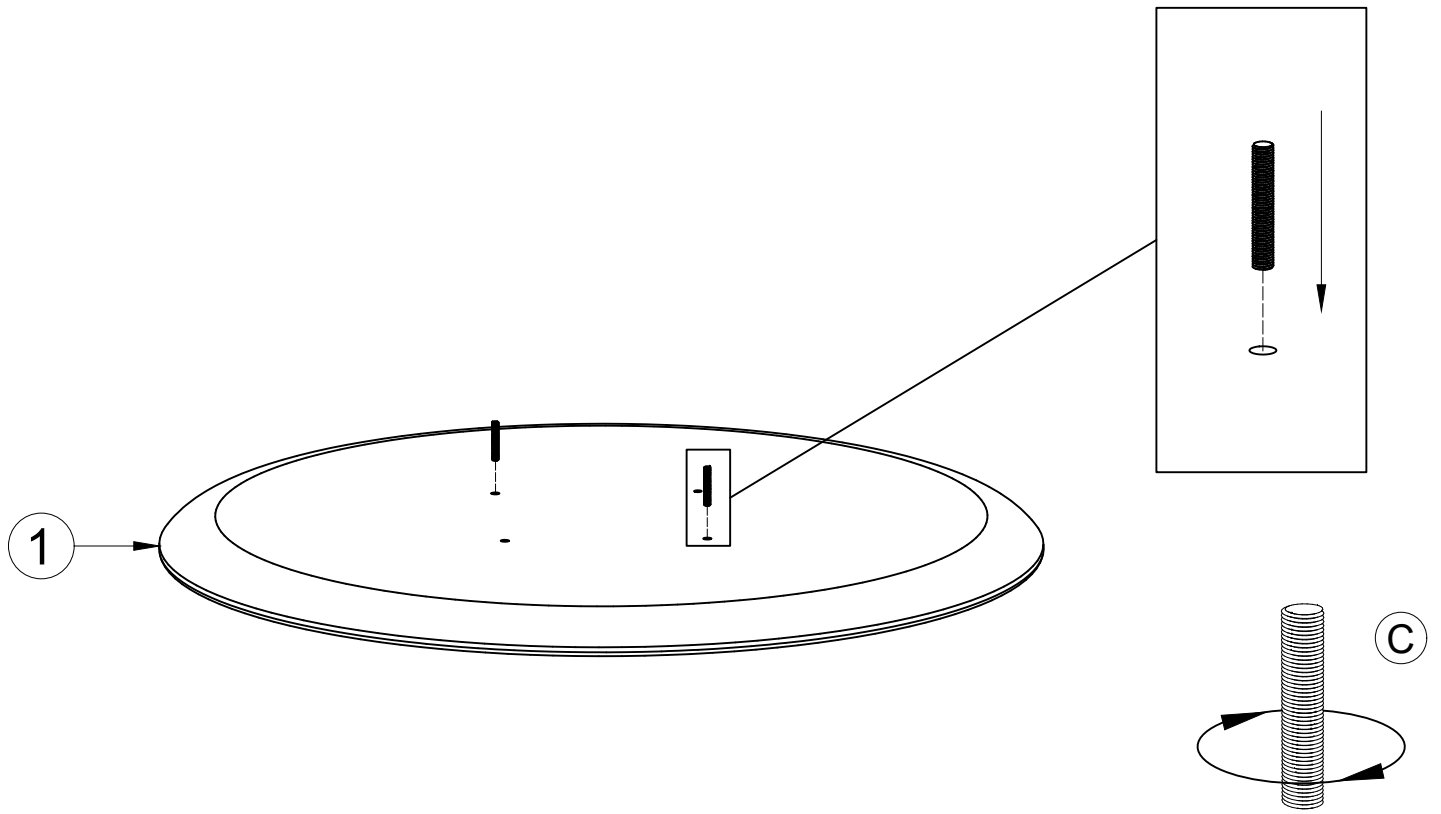
HARDWARE LIST

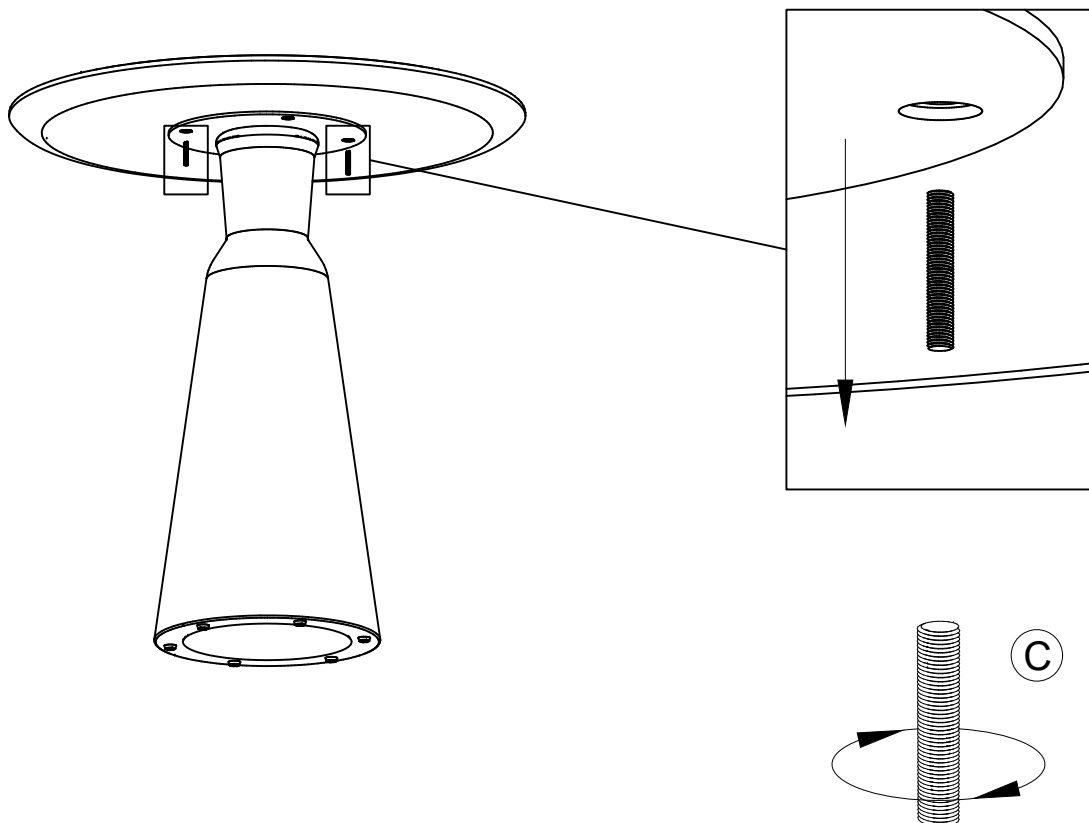
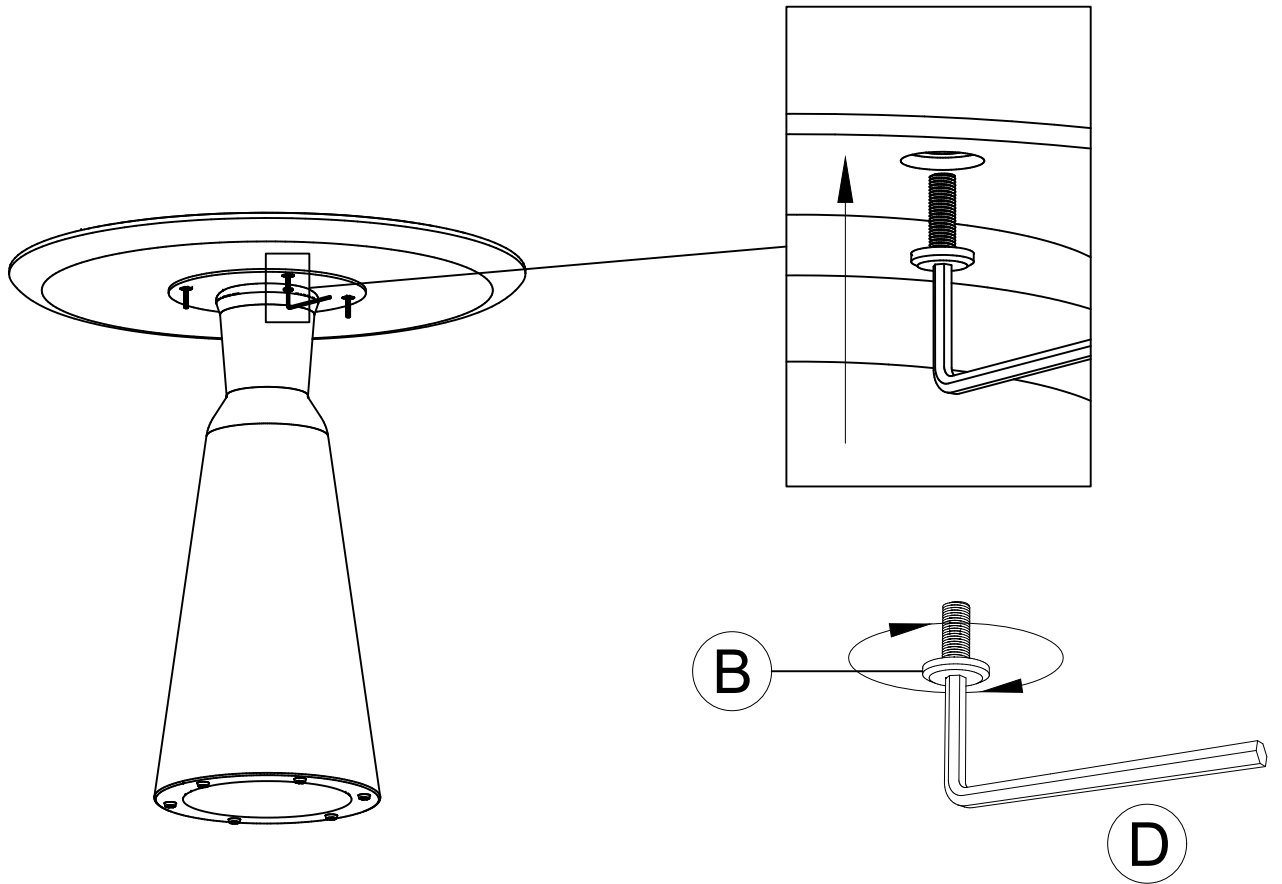
A		Bolts	M8x20mm	4 (already on base)
B		Bolts	M8x25mm	4
C		Located Bolts	M8x50mm	2
D		Key K4		1

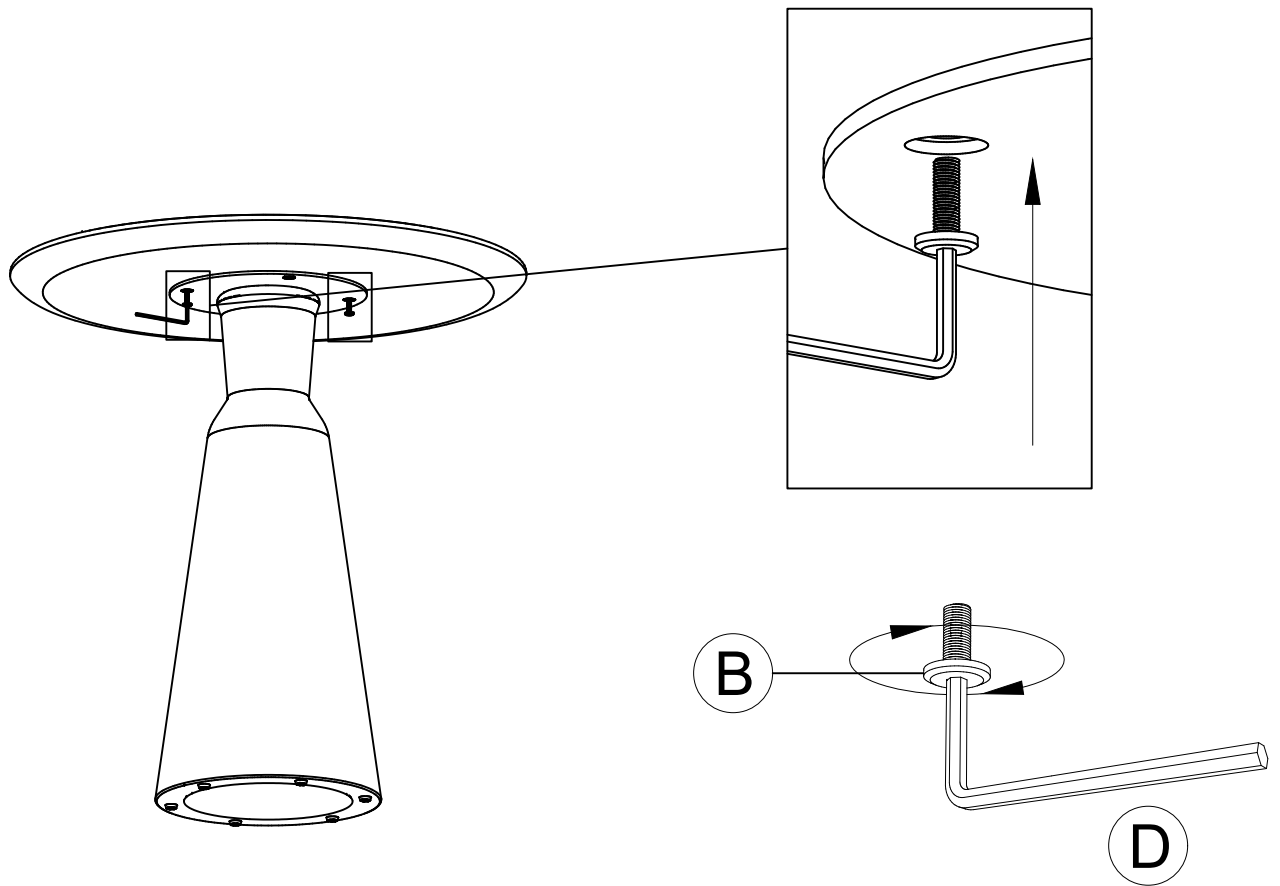


PROFESSIONAL INSTALLATION REQUIRED









Adjusting Floor Levelers

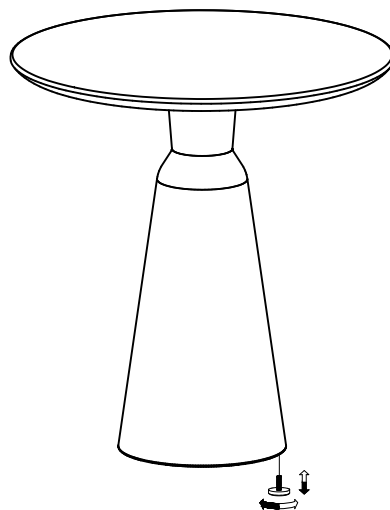
Your furniture has been expertly crafted and pre-adjusted by professionals. However, slight shifts can occur during transportation. If you notice that the doors are not perfectly aligned or the furniture wobbles, a quick adjustment can help ensure stability and a seamless look.

Adjust the Floor Levelers

Check for Stability – Place the furniture in its final position on a level surface. If it wobbles or doesn't sit evenly, the floor levelers need adjusting.

Locate the Levelers – These are small adjustable feet found at the bottom corners of your furniture.

Adjust as Needed – Using your hand or a wrench, turn the levelers clockwise to raise or counterclockwise to lower the furniture. Make small adjustments and check stability after each turn.



Adjustable leveler