

NOTICE

- * Please make sure that you have all parts indicated and they are in good condition before you begin assembly of this item. Refer to part list and hardware list below for guidance.
- * This item should be assembled on a soft surface to prevent scratching the finish during assembly.
- * This item may require periodic tightening.

PREPARATION









- * Before beginning assembly of product, make sure all parts are present. Compare parts with part contents list and hardware contents list.
- * If any part is missing or damaged, do not attempt to assemble the product.
- * Estimated Assembly Time: 15 minutes.
- * Tools Required for Assembly (included): Allen Key.

CARE AND MAINTENANCE

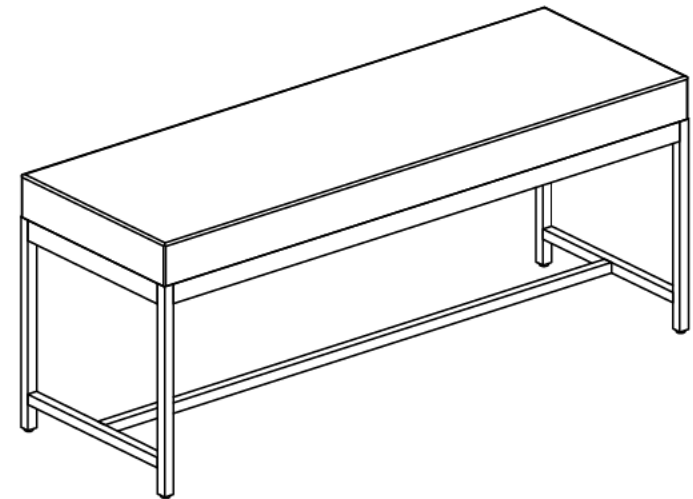
INDOOR METAL/ALUMINUM FURNITURE: Wipe spills immediately. Maintain with regular dusting and clean with mild soap and water, dry thoroughly and do not use a brass cleaner. Adhesive felt pads should always be used/applied in order to prevent damage to the furniture or surfaces on which the furniture is placed.

UPHOLSTERY CARE: To prevent overall soiling, frequent vacuuming or light brushing is recommended. Down-filled cushions should be brushed rather than vacuumed. Spot clean, using a mild water-free solvent or dry cleaning product. Only a professional cleaner should undertake a complete overall cleaning. The use of steam or water-based cleaners may cause excessive shrinking or staining.

Part List and Hardware List

PIECE	DESCRIPTION	PICTURE	QTY
A	Seat Cushion		1x
B	Side Frame		2x
C	Connecting Bar		1x
HW1	Hex Socket Bolt 1/4"-20 x 0.625"		8x
HW2	Hex Socket Bolt 1/4"-20 x 1.25"		4x
HW3	Flat Washer 1/4" x 0.625"		4x
HW4	Split Lock Washer 1/4" x 0.375"		4x
HW5	Allen Key M4		1x

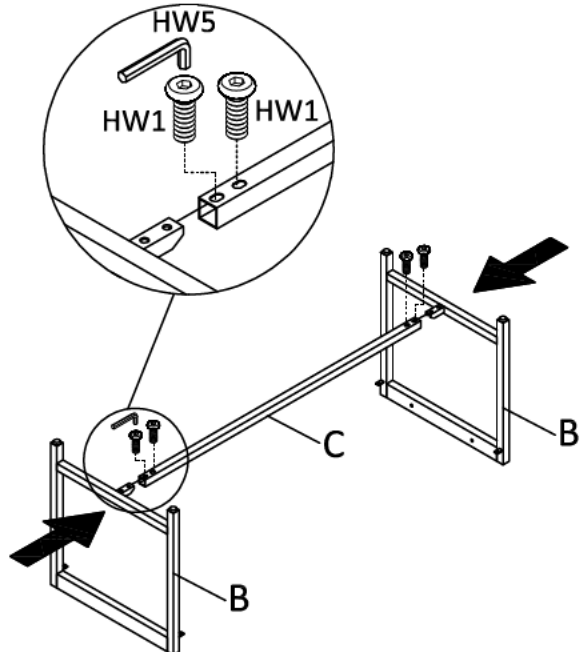
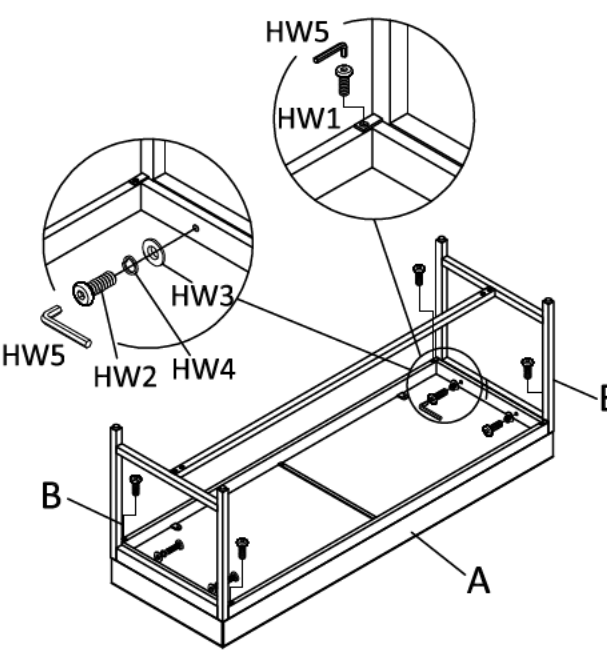
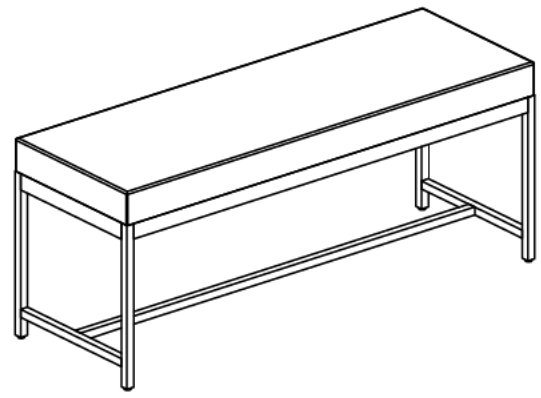
Product Dimensions: 47.25"W x 16"D x 19.5"H



Weight capacity: 550 lbs
WARNING : DO NOT STAND ON THE PRODUCT
WARNING : DO NOT OVER TORQUE BOLTS

PREPARATION

- * Before beginning assembly of product, make sure all parts are present. Compare parts with part contents list and hardware contents list.
- * If any part is missing or damaged, do not attempt to assemble the product.
- * Estimated Assembly Time: 15 minutes.
- * Tools Required for Assembly (included): Allen Key.

<p>1</p> 	<p>2</p> 	<p>3</p> 
<p>Step 1 ***The side of the Side Frame (B), which has a welded protrusion, should face inwards.*** Insert the Connecting Bar (C) into to the protrusion of the 2*Side Frames (B), Use Allen key (HW5) to lock with 4*Hex Socket Bolt (HW1), Please reference image above.</p>	<p>Step 2 Attach the assembled metal base to the underside of Seat Cushion (A). Align the screw holes on Seat Cushion (A) with the threads on the metal base. Inset Hex Socket Bolt (HW2) with the Split Lock Washer (HW4) & Flat Washer (HW3) into the holes and tighten with Allen key (HW5). Please reference image above.</p>	<p>Step 3 Straighten up the assembled product, Assembly is completed.</p>