

# PRODUCT MANUAL

 **ATTENTION!** PLEASE READ THESE INSTRUCTIONS BEFORE USING THIS DE

PRODUCT MANUAL



## NOTICE:

If your package is missing parts or you are having issues with assembly, please call us directly.  
Our customer service team will address any questions or concerns you may have.  
Have this manual open and ready for reference.

## SAFETY

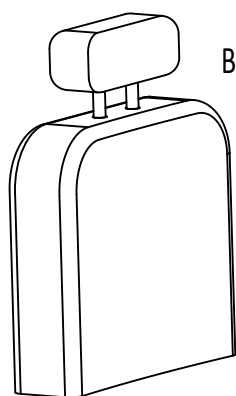
To reduce risk of injury when assembling & using the cabinet, follow these precautions:

- . Read all of these instructions before assembling and using your salon cabinet.
- . It is helpful to have 2 people assemble and turn the chair upright after assembling.
- . Do not over-extend the chair (0~150kg) , creating the risk of falls or tipping the chair, and its occupant over, resulting in injury

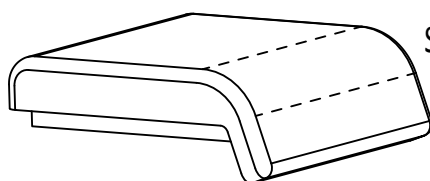
## OTHER ITEMS YOU WILL NEED ( not included)

- . Hand Tools:Wrench,Rubber Mallet,Screwdriver ( Phillips) ,Sturdy box

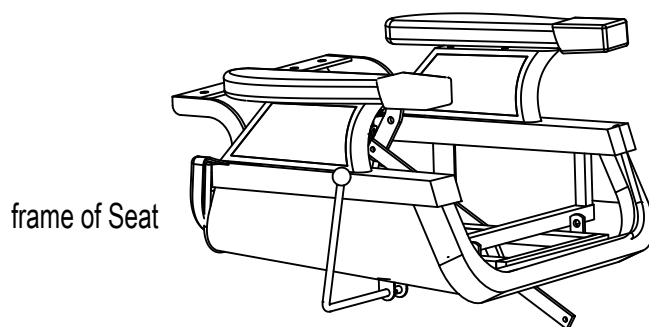
## PARTS & FEATURES



Backrest & headrest



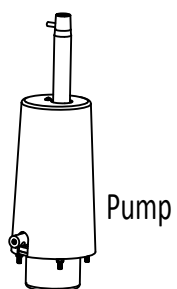
Seat cushion



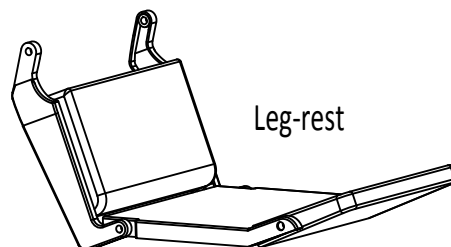
frame of Seat



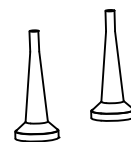
Foot Bar



Pump



Leg-rest



Leg-rest support X2



Base



Locking Screws



Locking Nut X4

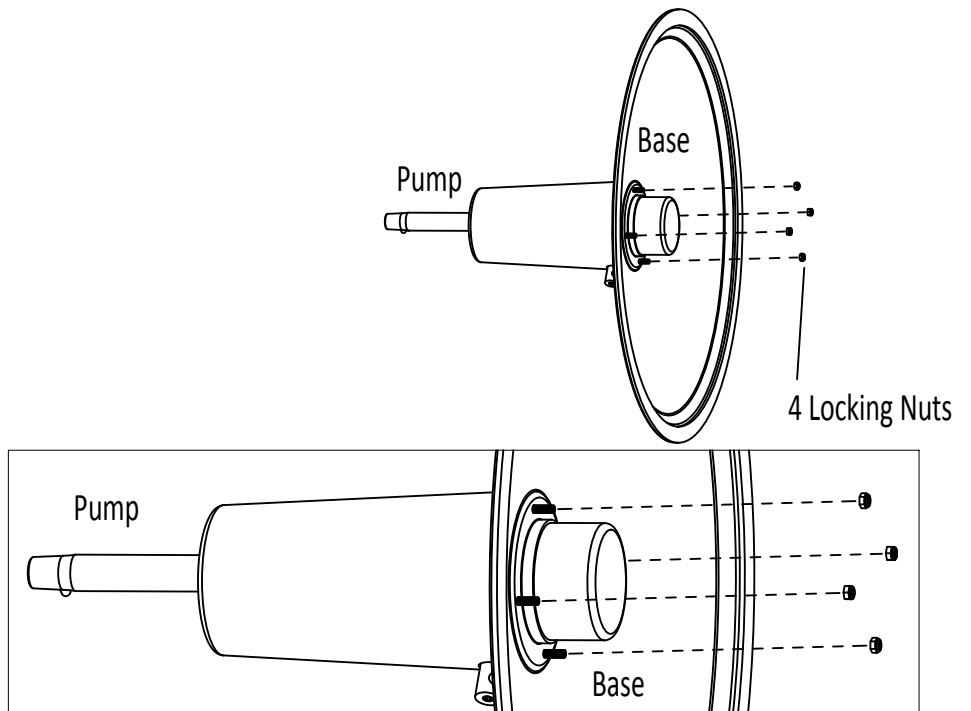


Allen wrench

## Installation instruction

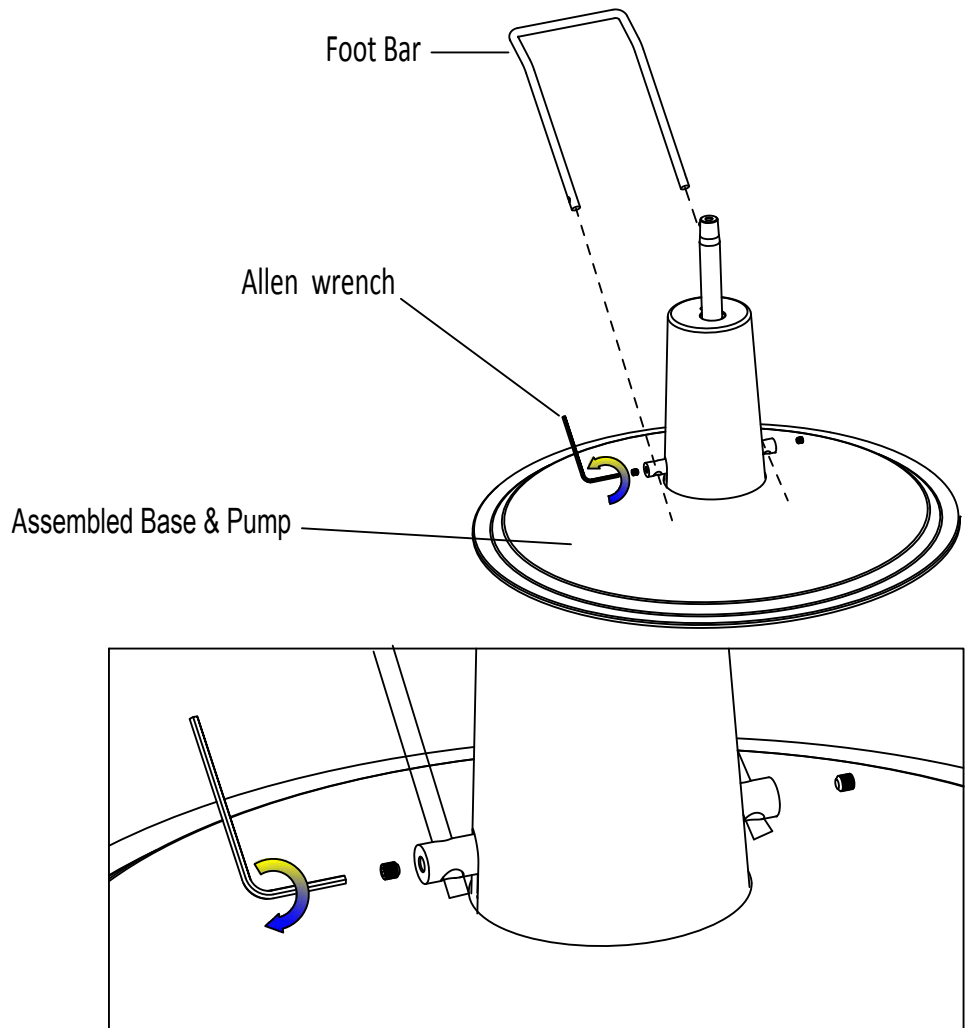
### FIRST: Attach Hydraulic Pump to Base

Step 1. Insert threaded bolts on bottom of Pump into holes on top of Base. Tighten 4 locking nuts onto threaded bolts.  
(Easiest when set on side, supported by a sturdy object.)  
Please follow up the diagram beside.



### SECOND: Attach Foot Bar to Assembled Hydraulic Pump & Base

Step 1. Place assembled Base & Pump on floor. Use Allen Wrench to loosen set screws in the crossbar. This prevents set screws from obstructing entry of Foot Bar. Insert ends of Foot Bar into the holes in the crossbar. (May require slightly squeezing ends of Foot Bar towards each other, and some maneuvering for the bar ends to go into place.)  
Step 2. Tighten the set screws to firmly hold the Foot Bar in place.



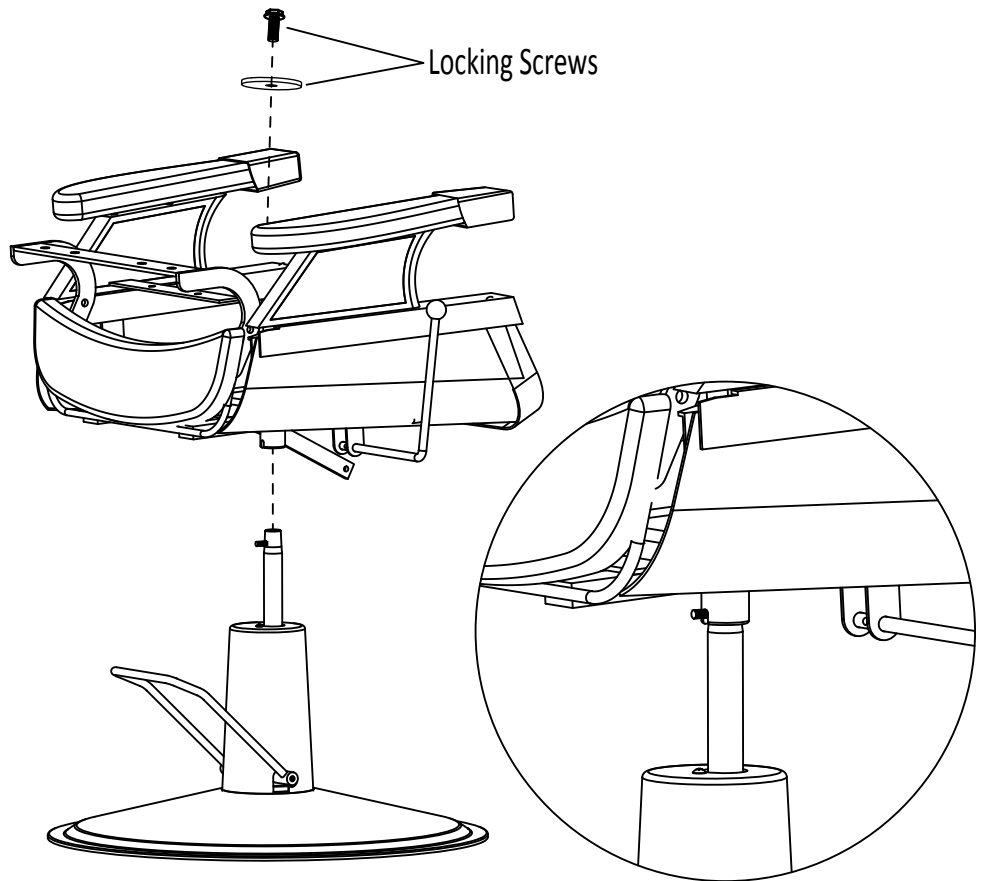
### Third : Install the frame of Seat

Step 1. Locate the slot in the short column under the frame of Seat. Align this slot with the black pin at the top of hydraulic pump.

Step 2. Set the frame of Seat onto assembled Hydraulic Pump & Base and press down.

Step 3. Lock them by the locking screws.

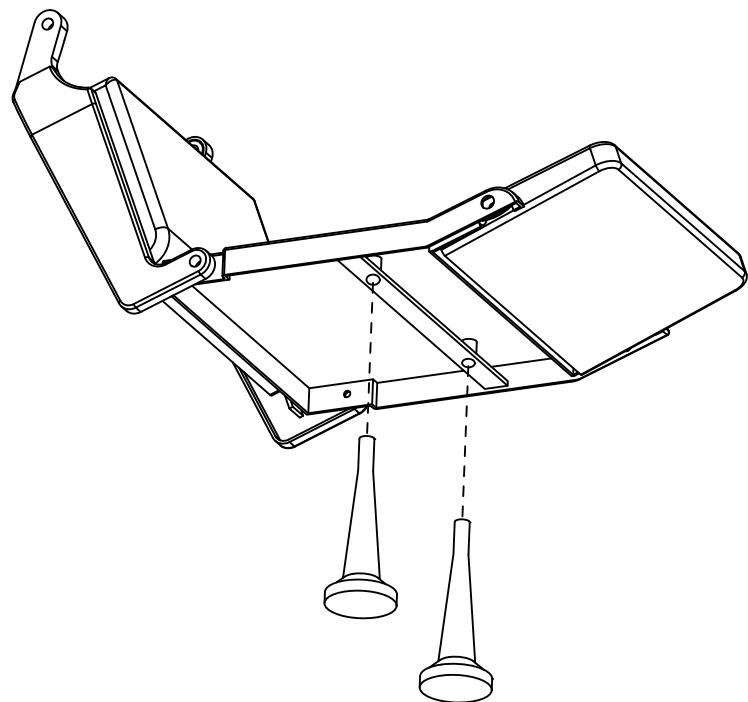
Please follow up the diagram beside.



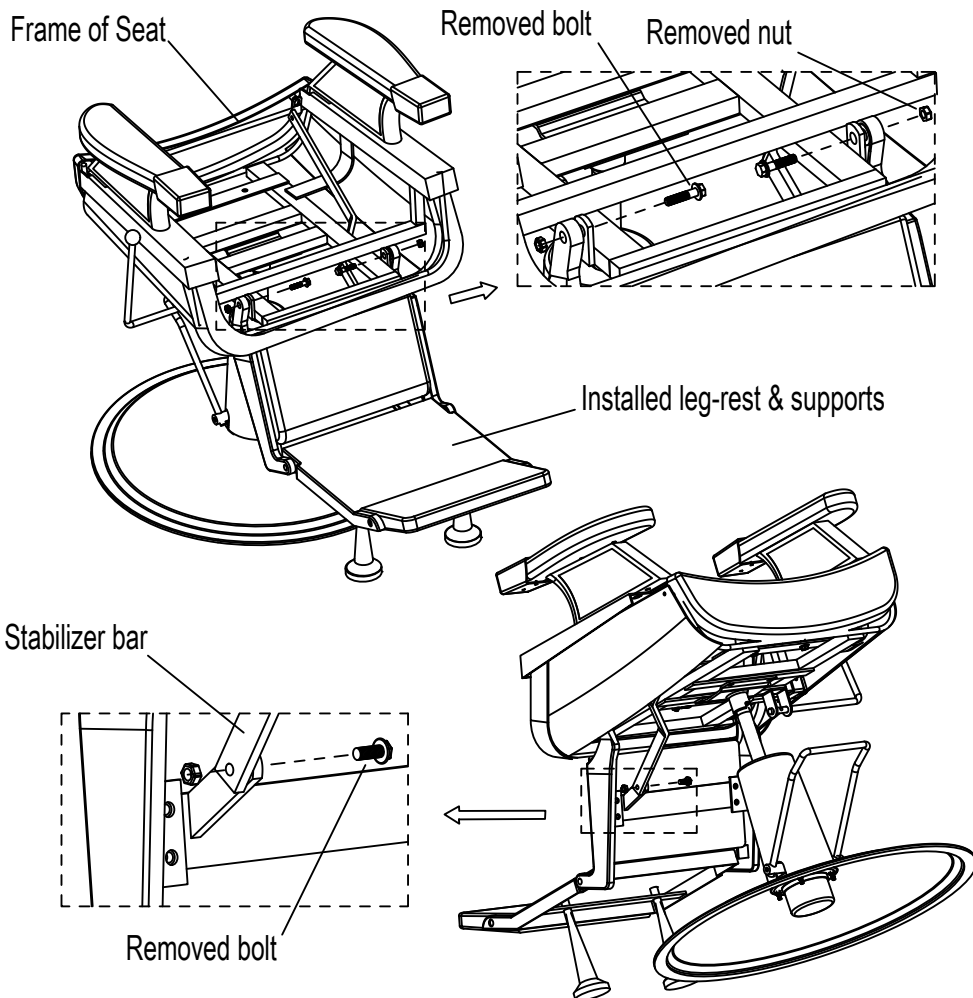
### Fourth : Install the 2 supports of the leg-rest to the leg-rest

Step 1 . Install the 2 supports of the leg-rest to the leg-rest and tighten them .

Please follow up the diagram beside.



**FIFTH : Install the installed leg-rest & supports to the frame of Seat**



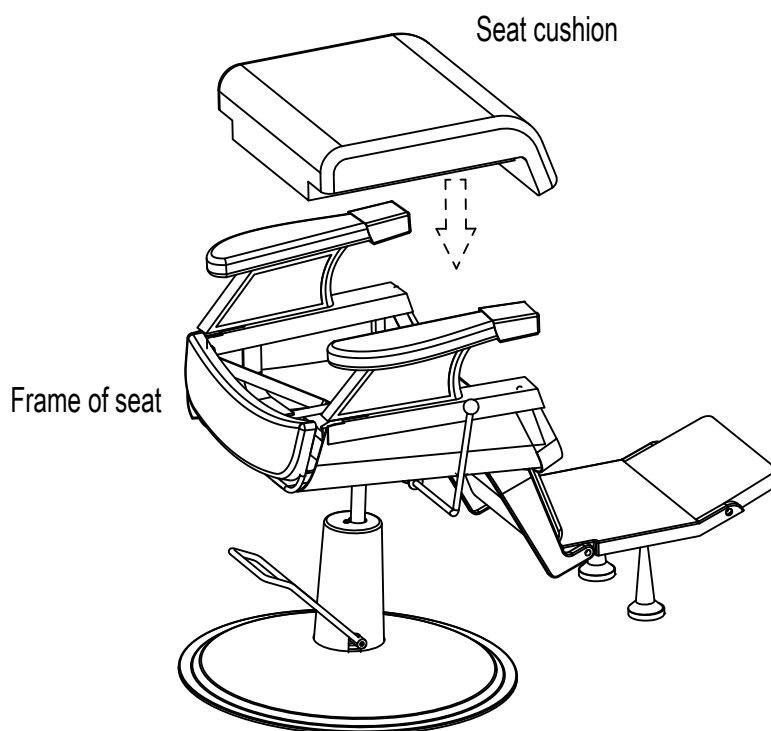
Step1 .Remove the 2 bolts and nuts which pre-fixed in the Leg-rest and remove the bolt and nut which pre-fixed in the hole on the back of leg-rest .

Step 2 . Install the installed leg-rest & supports to the frame of Seat by the 2 removed bolts and nuts.

Step 3. Connect Stabilizer bar which installed in frame of seat with the hole on the back of leg-rest by the removed bolt and nut which pre-fixed in it .

Please follow up the diagram beside.

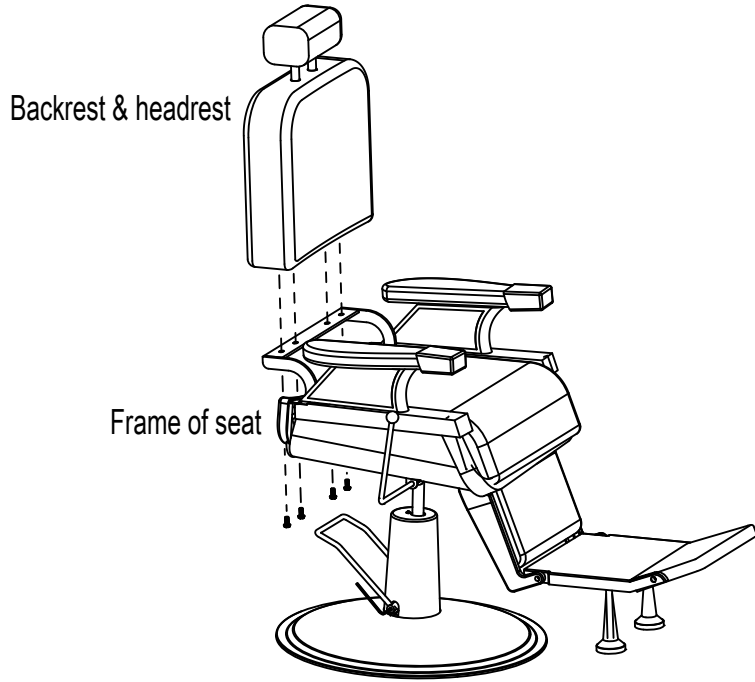
**SIXTH : Install the seat cushion**



Step1 . Install the seat cushion to chair

**SEVENTH : Install the backrest & headrest**

Step1 .Remove the 4 bolts which pre-fixed in the bottom of backrest.  
Step 2 . Install the backrest & headrest to the frame of Seat with the 4 given bolts .  
Please follow up the diagram beside.



**Operating the chair**

1 : Raising and Lowering the Chair  
Step down on the Foot Bar repeatedly to raise the chair to the desired height. Do not over-extend the chair, creating the risk of falls or tipping the chair and its occupant over, resulting in injury  
Step down and hold the Foot Bar to allow chair to lower.

2 : Recline the Backrest and leg-rest  
Push Lever on side of chair down/back while the occupant leans back and make the leg-rest up .  
Pull lever up/forward to allow Backrest to raise up and make the leg-rest down.

3 : Raising and Lowering the Headrest  
Press the button on the chrome plate and pull up to raise, or push down to lower the Headrest.

4 : Hold up the foot bar to lock the chair .

