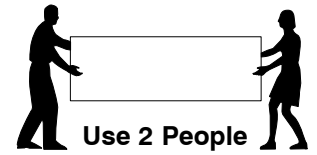
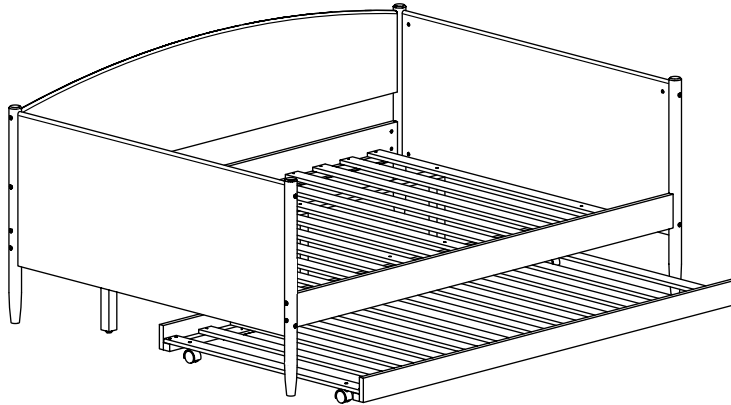


Full Daybed

Assembly Instructions

1 Assembled View

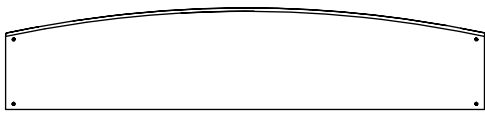


Note: Do not assemble using power tools. This can cause the bolts to be overtightened

2 Parts in this Box



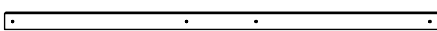
A Side Panel x 2



B Back Panel x 1



C Side Rail x 2

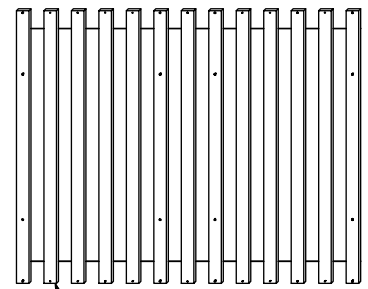


D Long Support x 1



E Support Leg x 4

Slats are packed in separately in Box B



K Set of Slats x 1

3 Hardware in this Box



1 M6 x 90mm JCB x 24



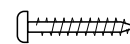
4 Barrel Nut x 24



2 M6 x 40mm JCB x 8



5 Wood Dowel (10 x 40mm) x 16



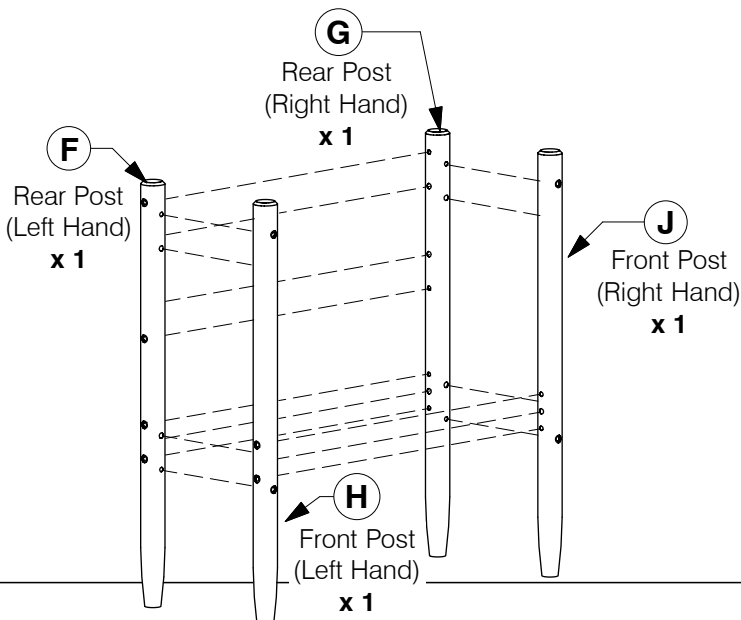
3 Wood Screw (M4 x 32mm) x 18



6 Allen Key x 1



7 Adjustable Foot x 4

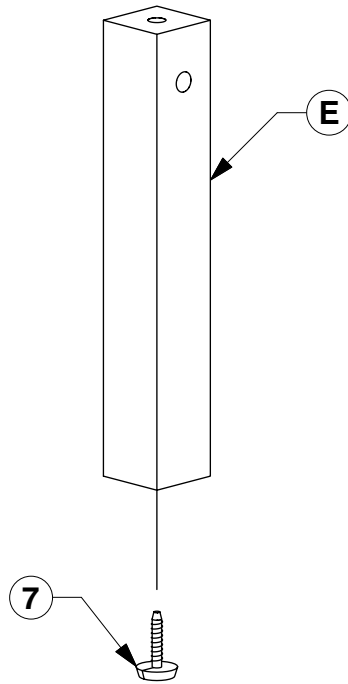


Full Daybed

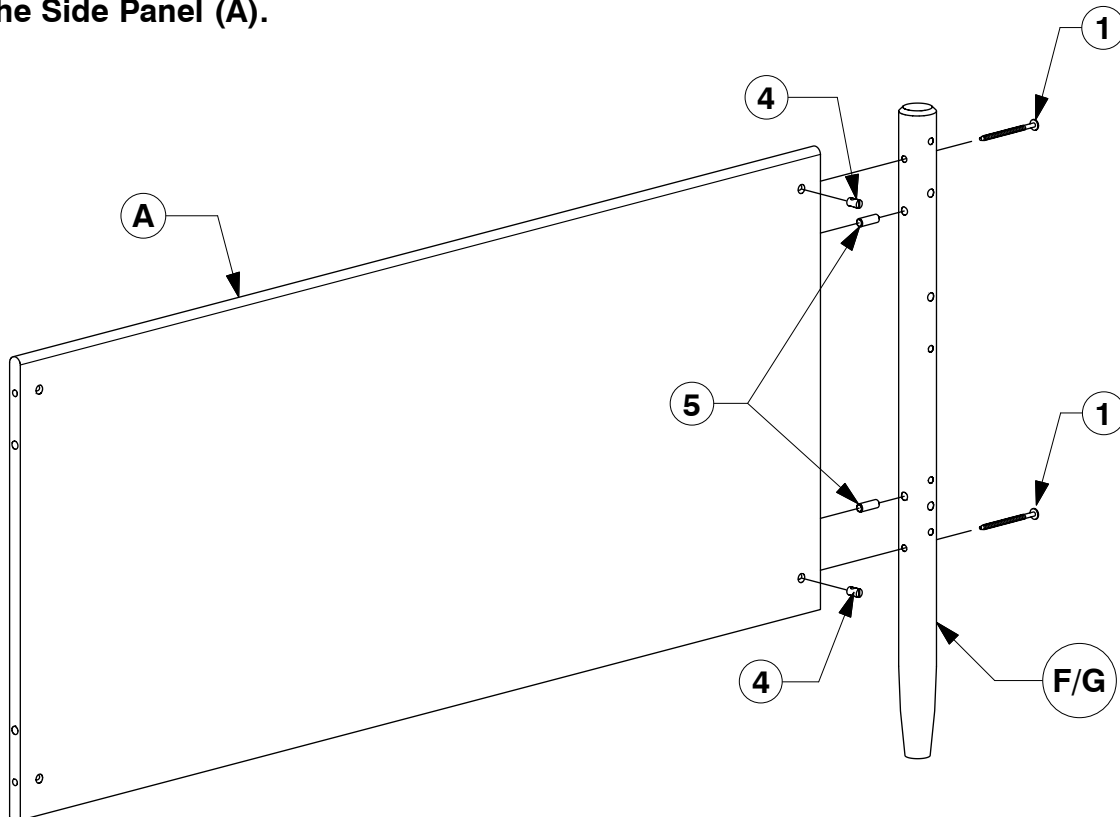
Assembly Instructions

- 4** Fit the Adjustable foot to the bottom of the Support Leg (E).

x4



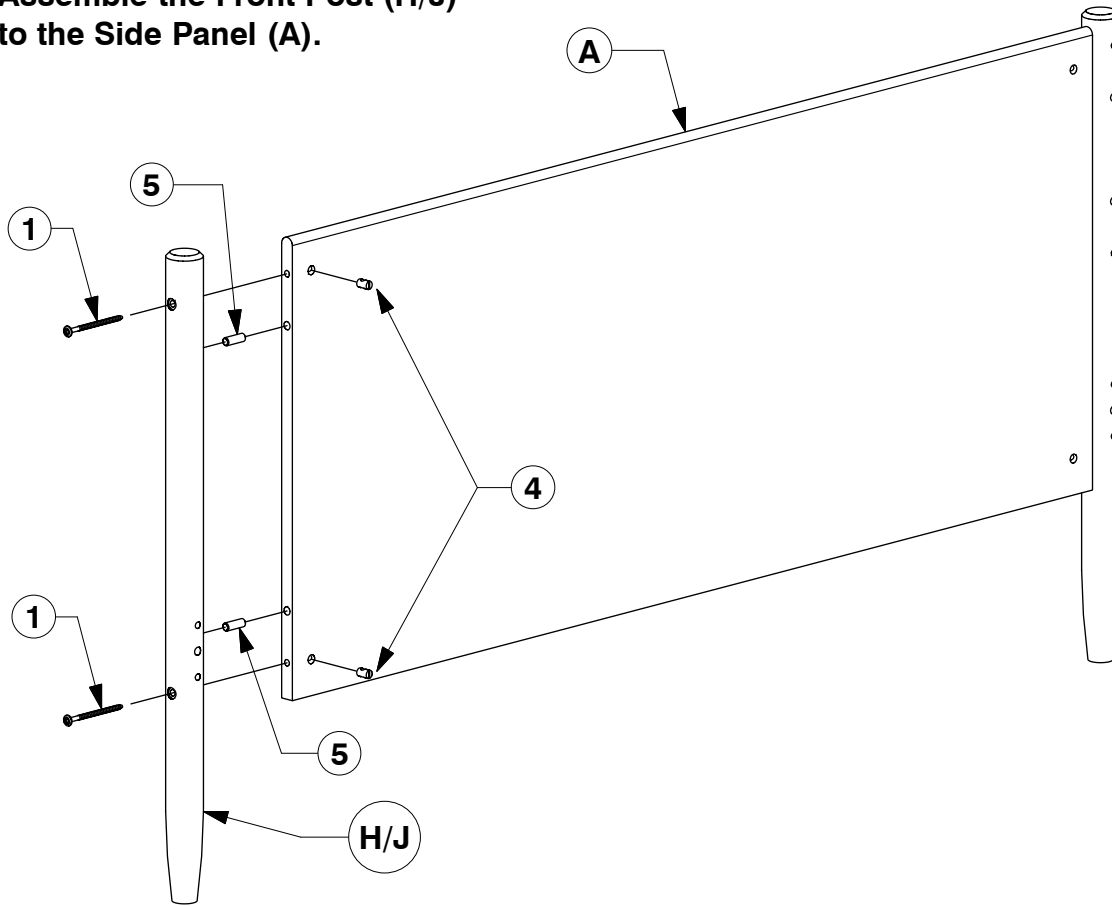
- 5** Assemble the Rear Post (F/G) to the Side Panel (A).



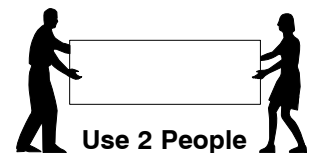
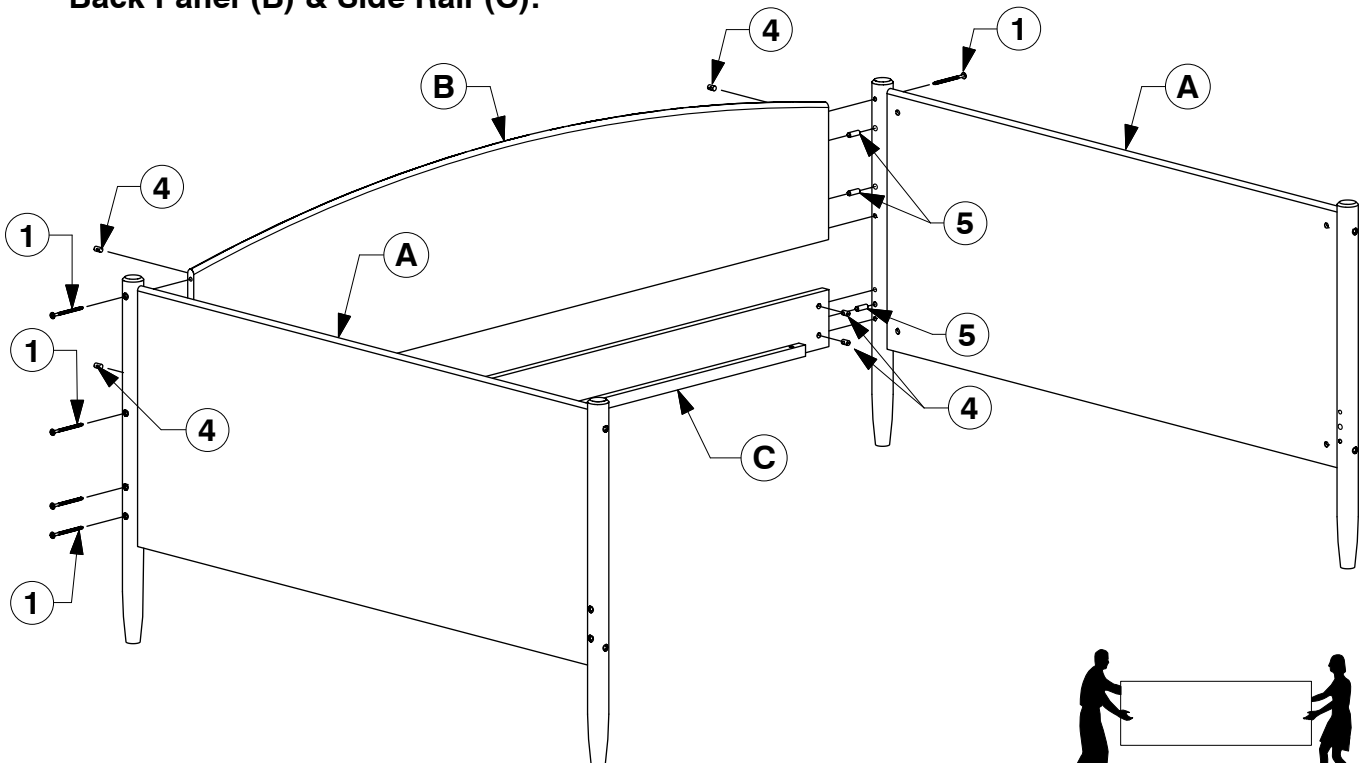
Full Daybed

Assembly Instructions

- 6** Assemble the Front Post (H/J) to the Side Panel (A).



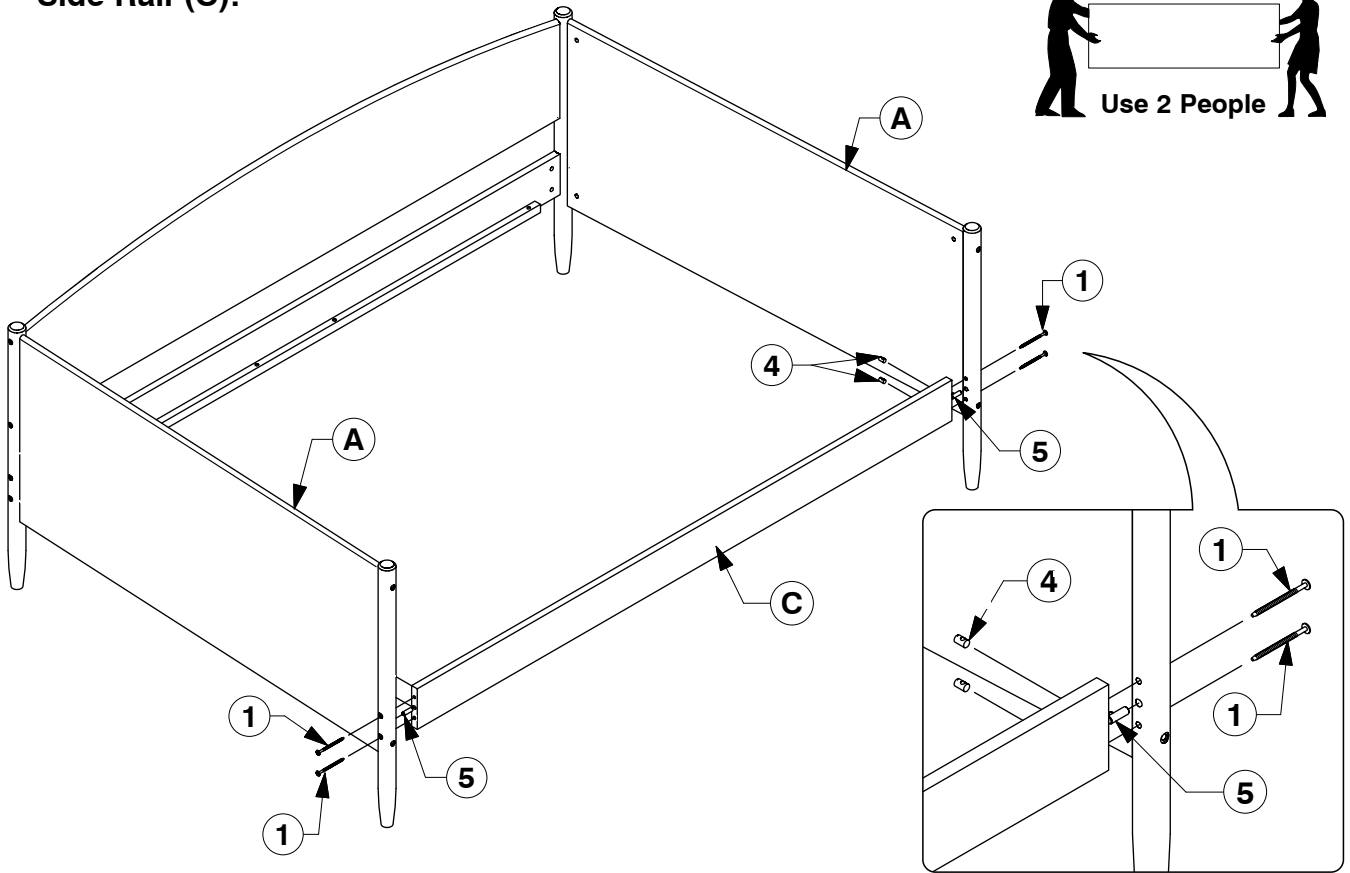
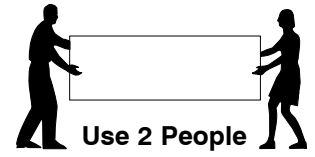
- 7** Assemble the Side Panel (A) to the Back Panel (B) & Side Rail (C).



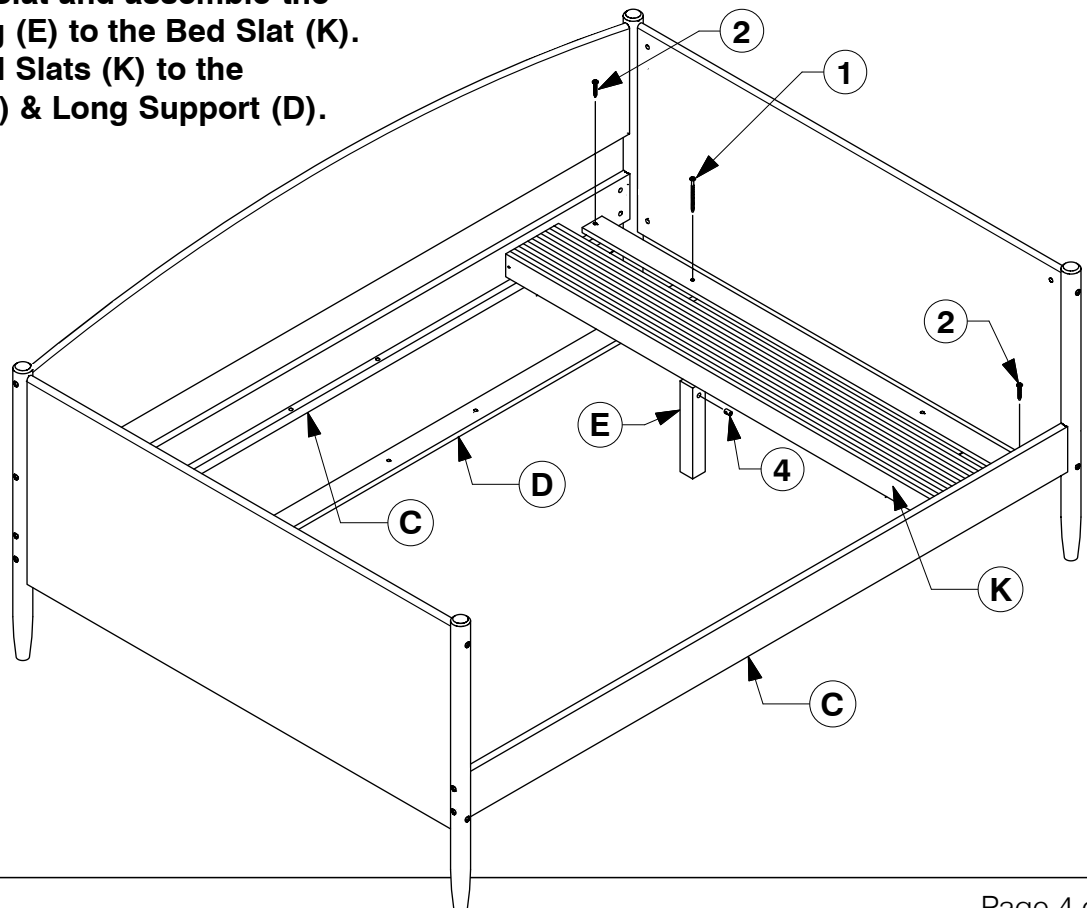
Full Daybed

Assembly Instructions

- 8** Assemble the Side Panel (A) to the Side Rail (C).



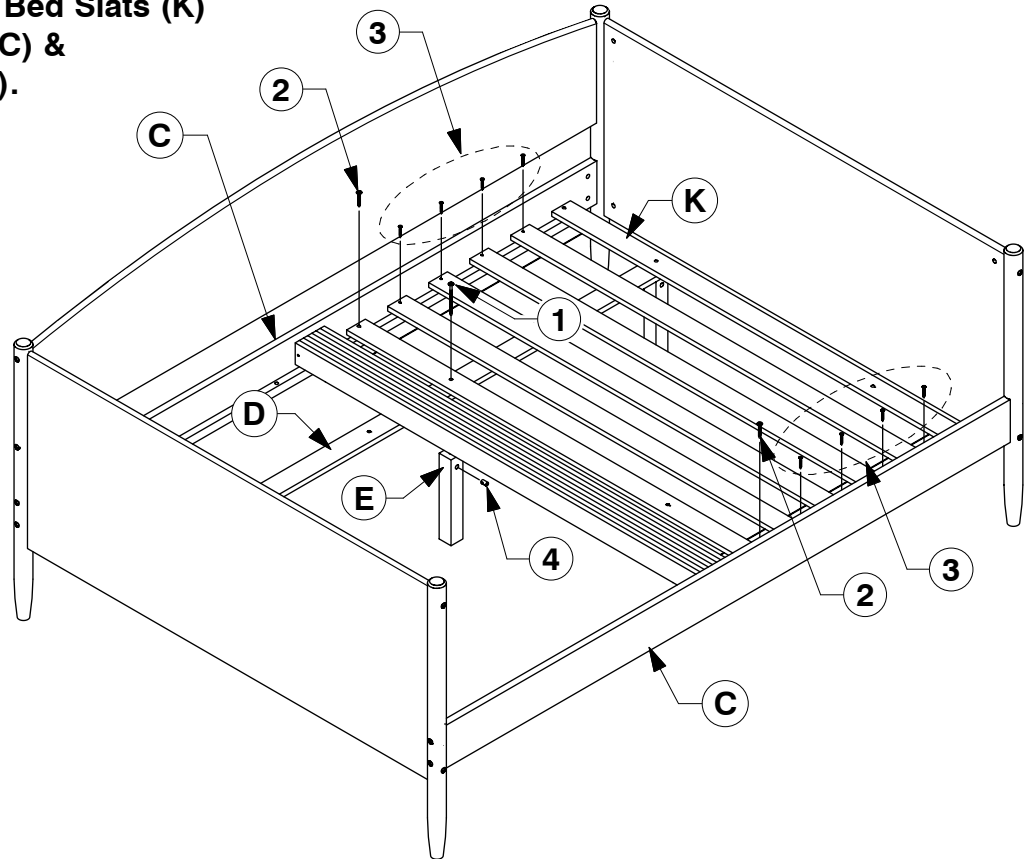
- 9** Fit the first Slat and assemble the Support Leg (E) to the Bed Slat (K). Bolt the Bed Slats (K) to the Side Rail (C) & Long Support (D).



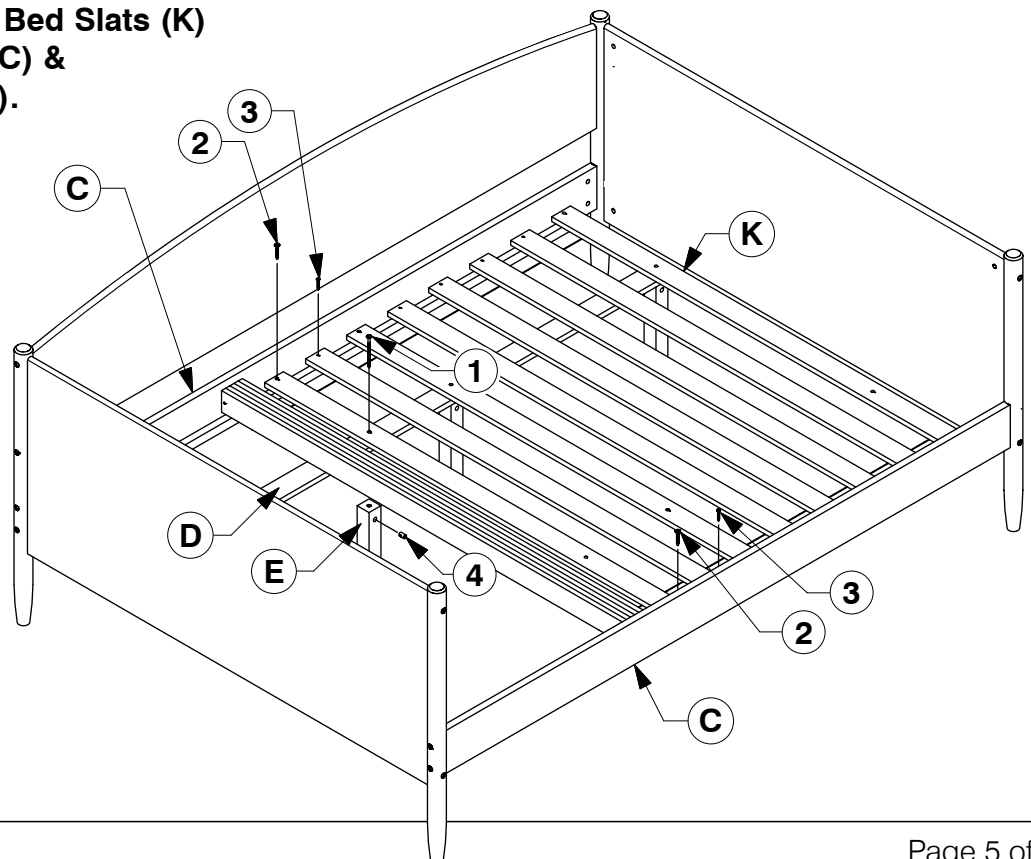
Full Daybed

Assembly Instructions

- 10** Fit the other Slats out and assemble the Support Leg (E) to the Bed Slat (K). Bolt & screw the Bed Slats (K) to the Side Rail (C) & Long Support (D).



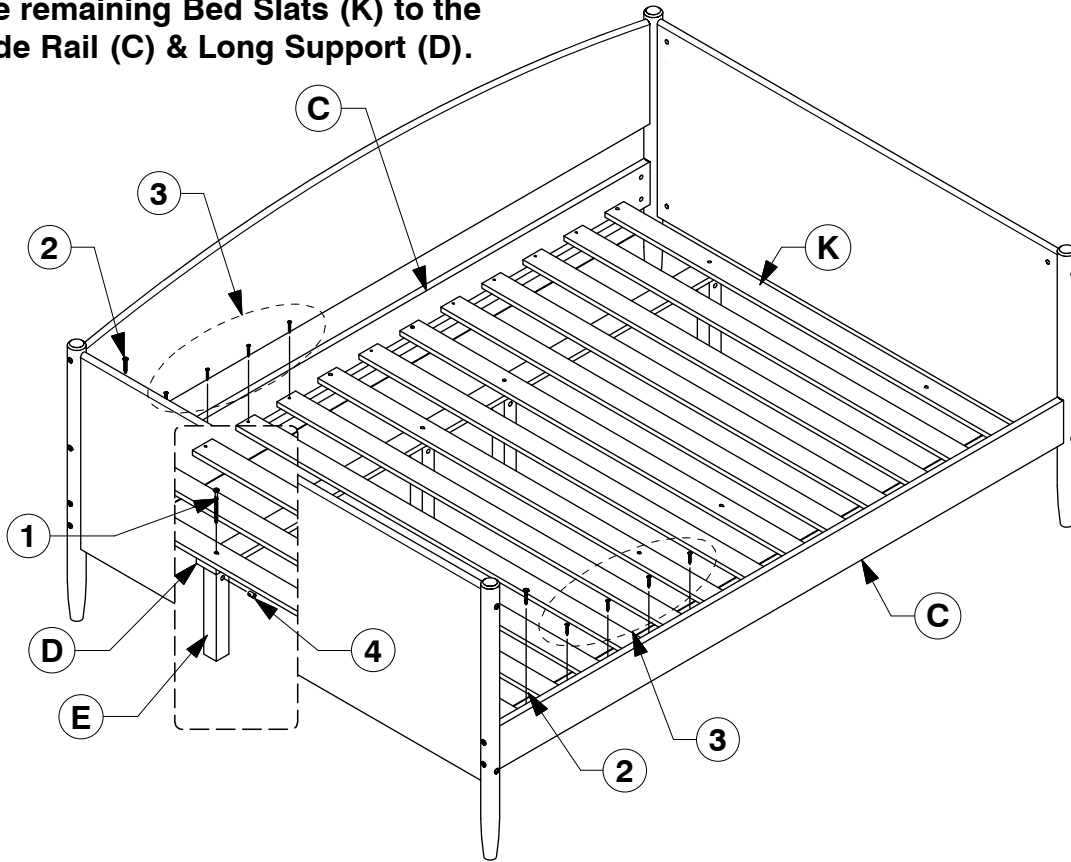
- 11** Fit the other Slats out and assemble the Support Leg (E) to the Bed Slat (K). Bolt & screw the Bed Slats (K) to the Side Rail (C) & Long Support (D).



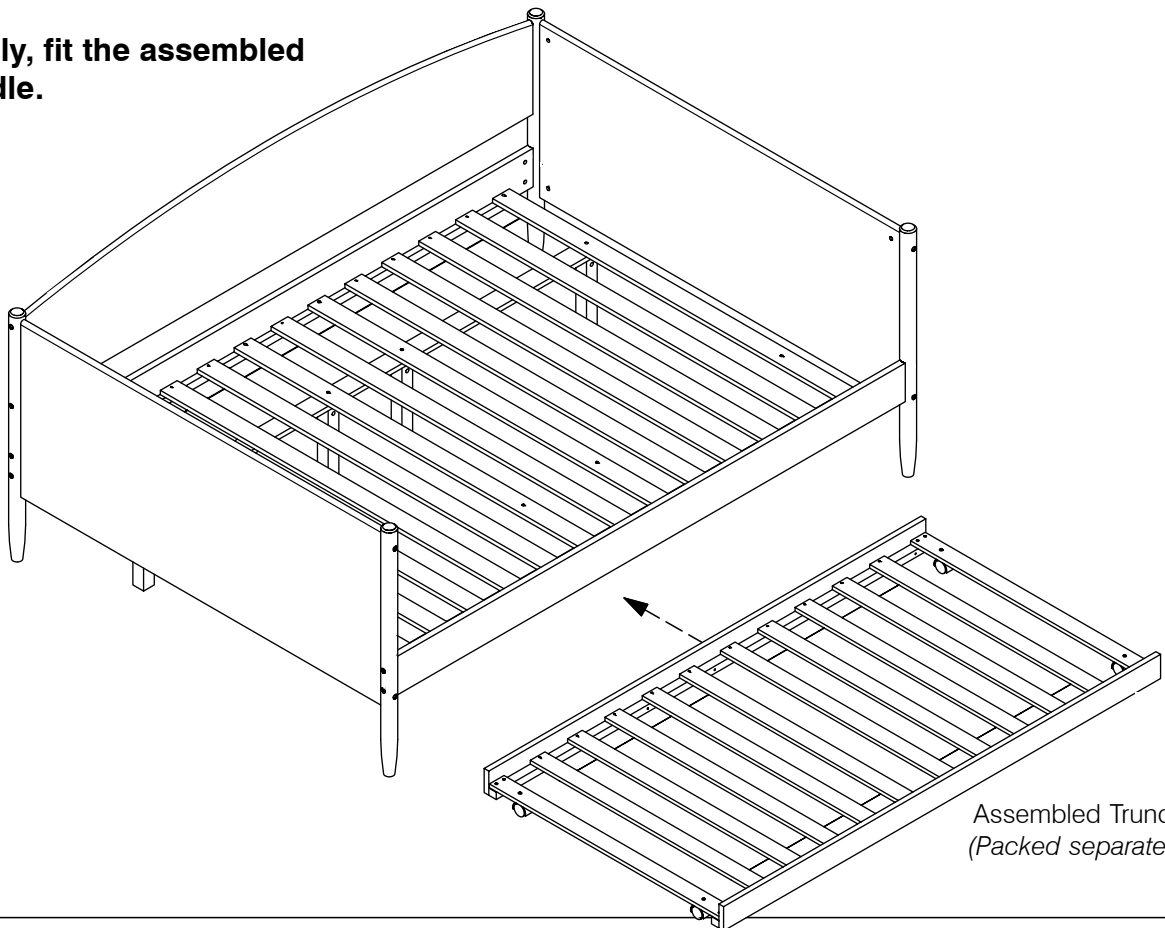
Full Daybed

Assembly Instructions

- 12** Assemble the Support Leg (E) bolt & screw the remaining Bed Slats (K) to the Side Rail (C) & Long Support (D).



- 13** Finally, fit the assembled trundle.

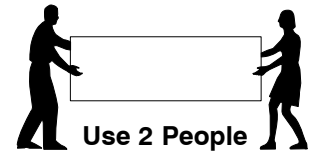
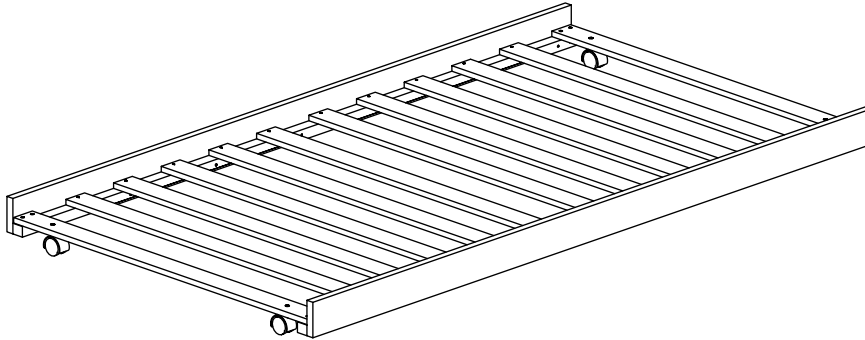


Assembled Trundle
(Packed separately)

Daybed Trundle

Assembly Instructions

1 Assembled View

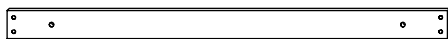


Note: Do not assemble using power tools. This can cause the bolts to be overtightened

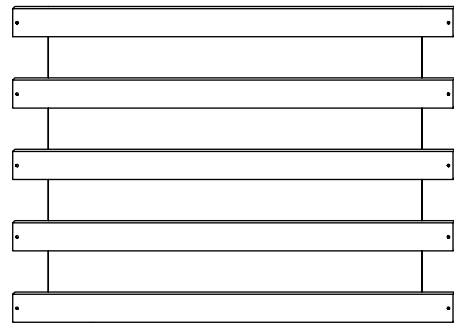
2 Parts List



A Trundle Panel x 2



B Trundle Support Rail x 2

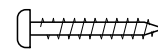


C Set of Slats x 2

3 Hardware List



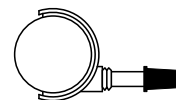
1 M6 x 40mm JCB
x 8



2 Wood Screw
(M4 x 32mm)
x 20



3 Allen Key
x 1

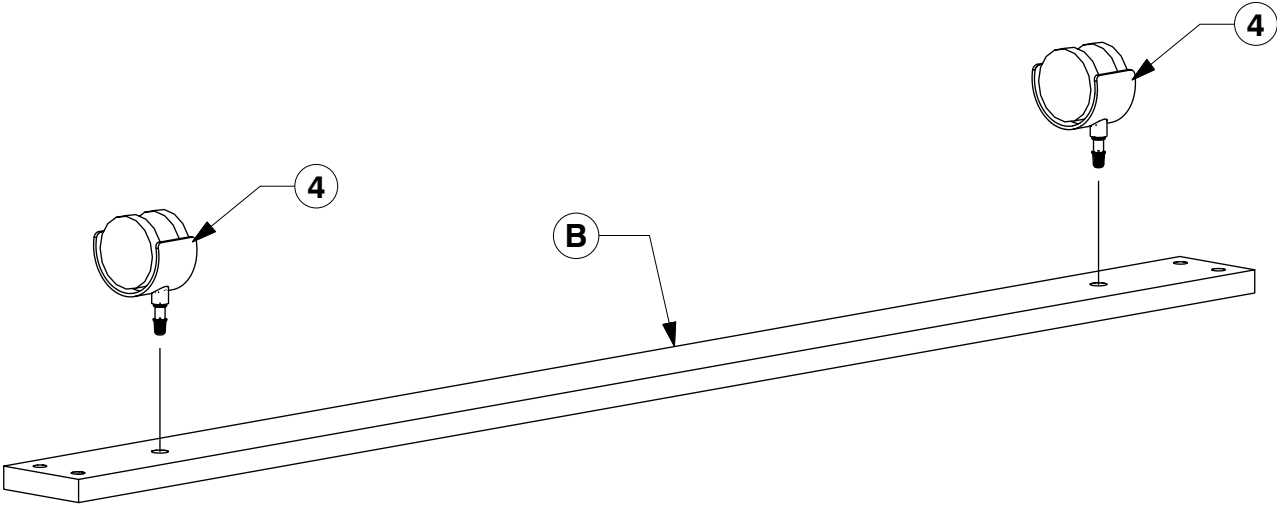


4 Wheels
x 4

Daybed Trundle

Assembly Instructions

4 Fit the Wheels (4) to the Trundle Support Rail (B).



5 Assemble the Set of Slats (C) & Trundle Support Rail (B) to the Trundle Panel (A).

