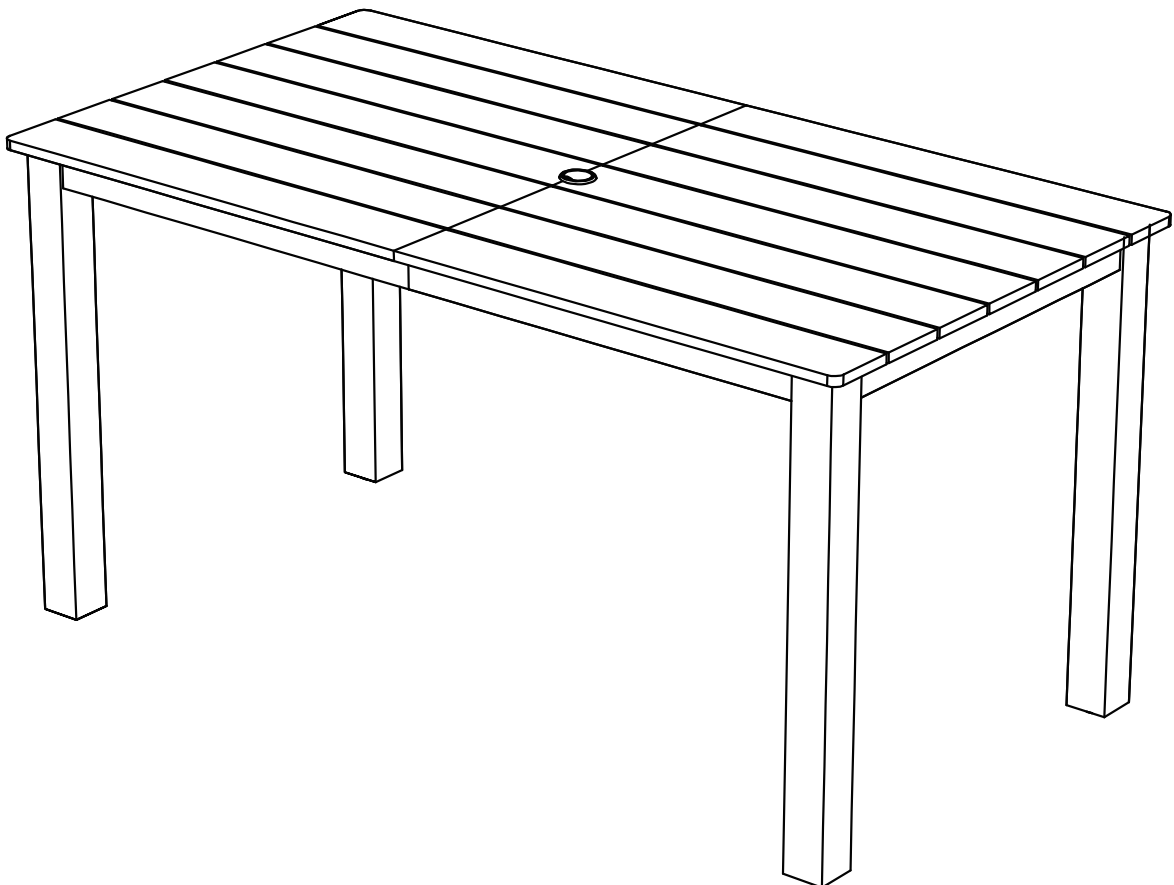


- PLEASE BE PATIENT THAT THE OTHER ITEMS ARE ON THE WAY IF YOU BUY MORE THAN ONE PRODUCT.

User's Manual

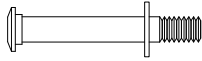
NOTE : *Please read instructions before assembly.*

If incorrect assembled, could reasonably result in the creation of a hazard!!!



Product Description	Dining Table	For Outdoor
--------------------------------	---------------------	--------------------

1 X 8



M8*80 Bolt

2 X 2



M6*60 Bolt

3 X 4



M6*15 Bolt

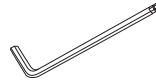
4 X 1



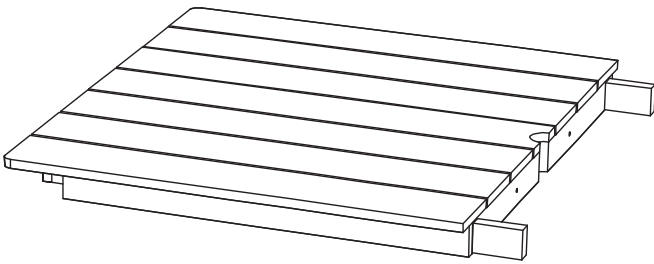
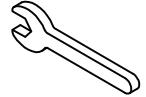
5 X 4



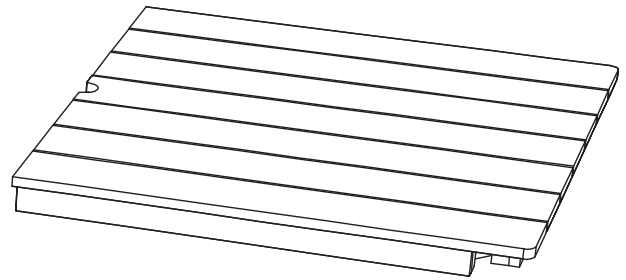
6 X 1



7 X 1



A Desktop X 1



B Desktop X 1

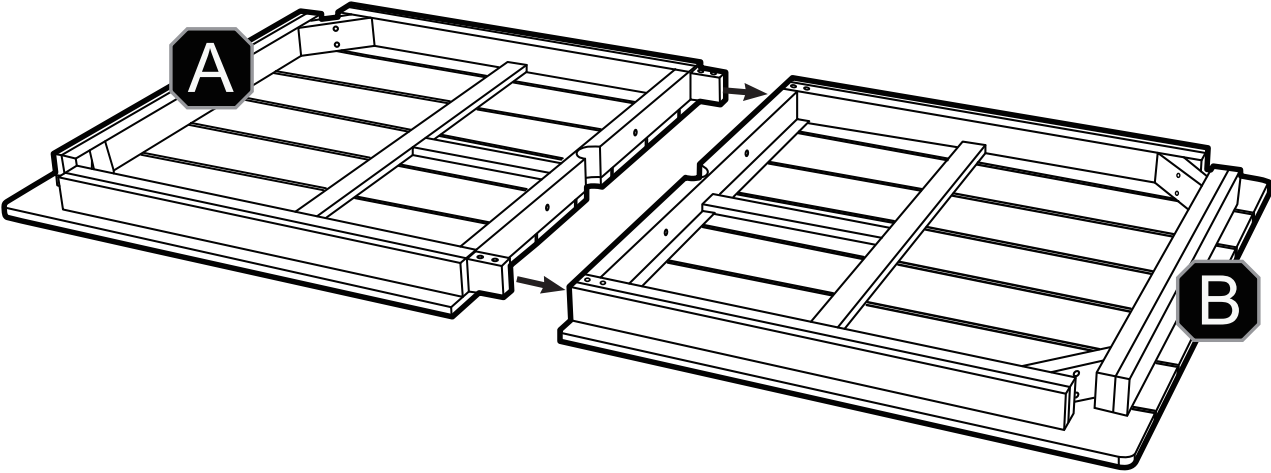


C Leg X 4

NOTE: ⚠

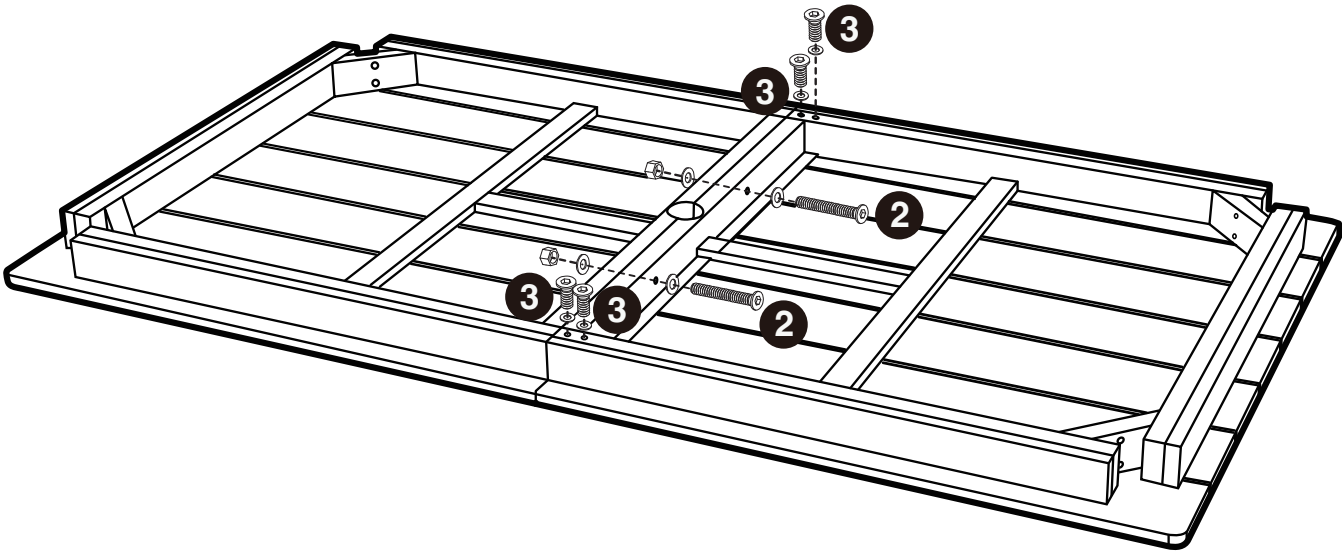
1. If it seems parts aren't fitting together you likely have something wrong and you should reread the instructions to ensure you are aligning the proper components.
2. When assembling the product, do not tighten the screws all the way at the first, tighten them to 70% , and then once all the screws are assembled, tighten them to 100%.

Step 1



Embed **A** into **B**

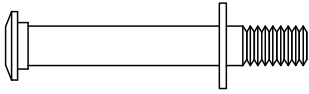
Step 2



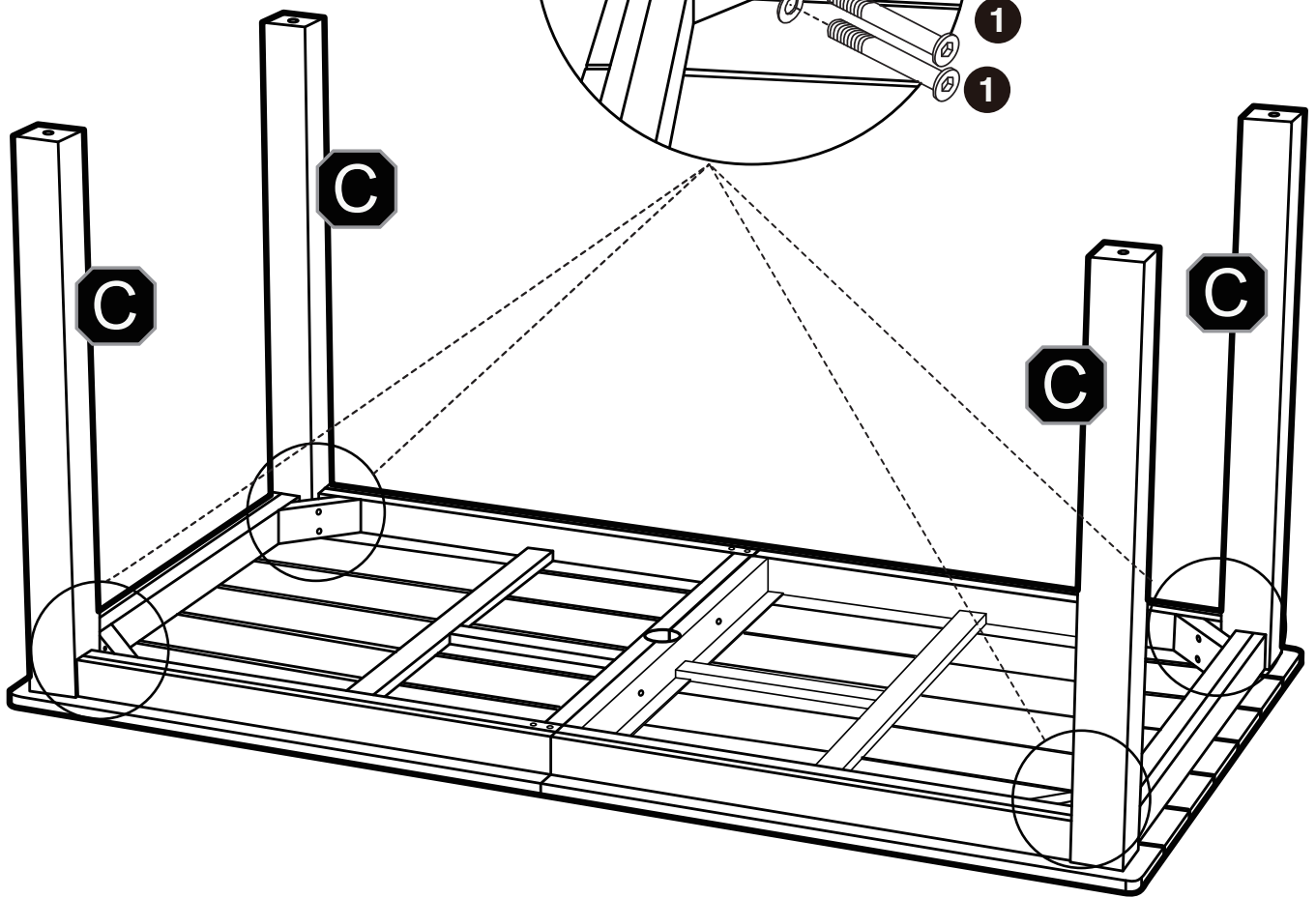
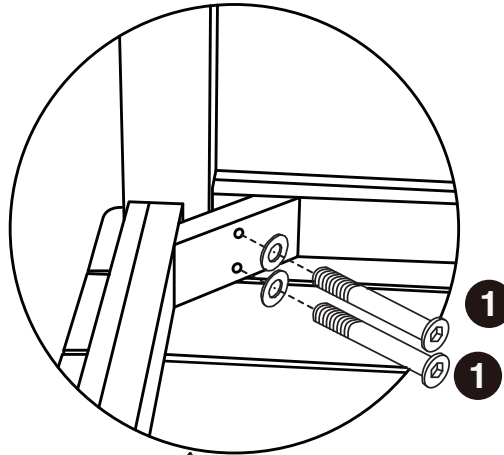
Use 6 screws **2** and **3** to connect **A** to **B**

Step 3

1 X 8

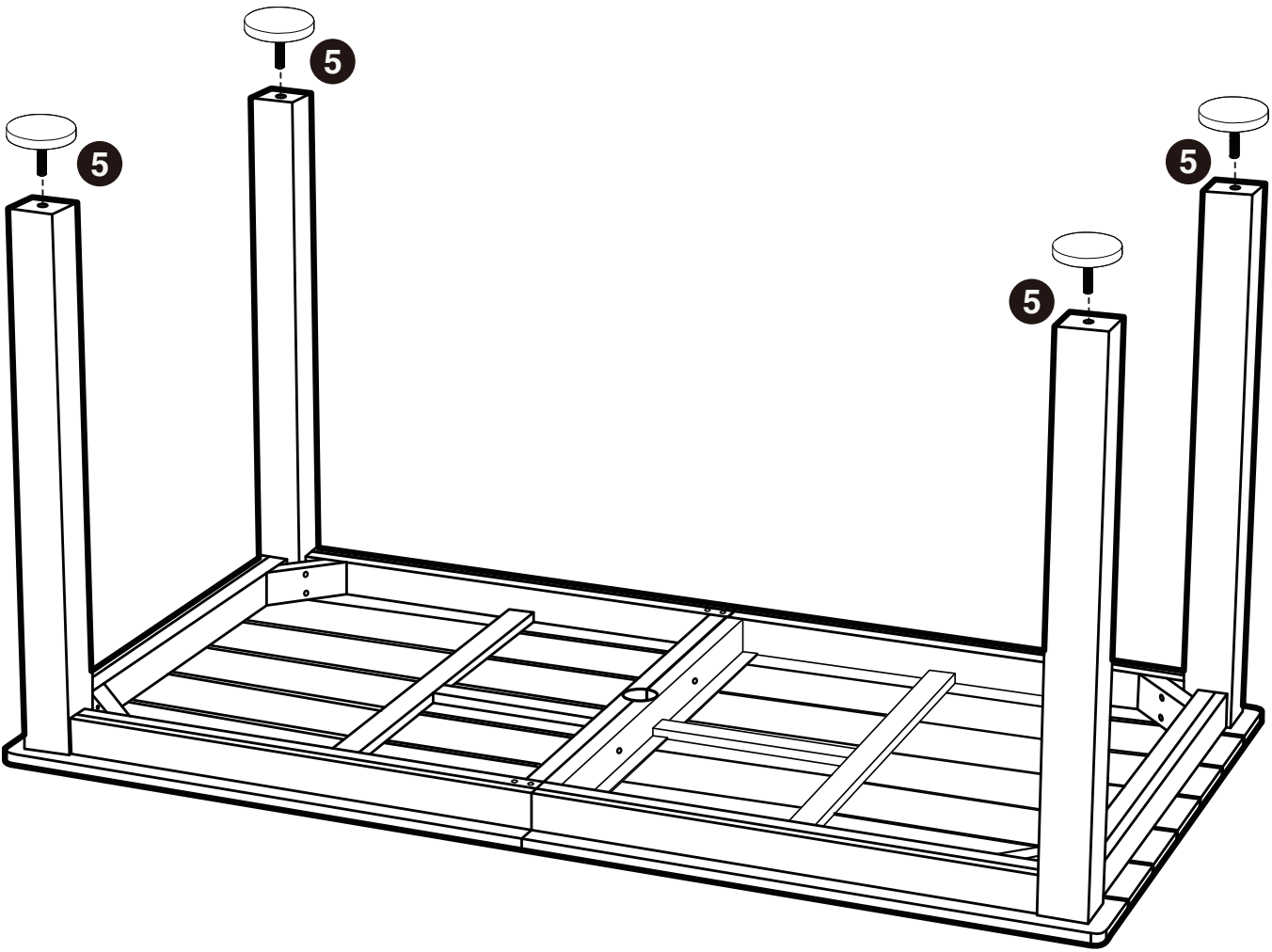


M8*80 Bolt



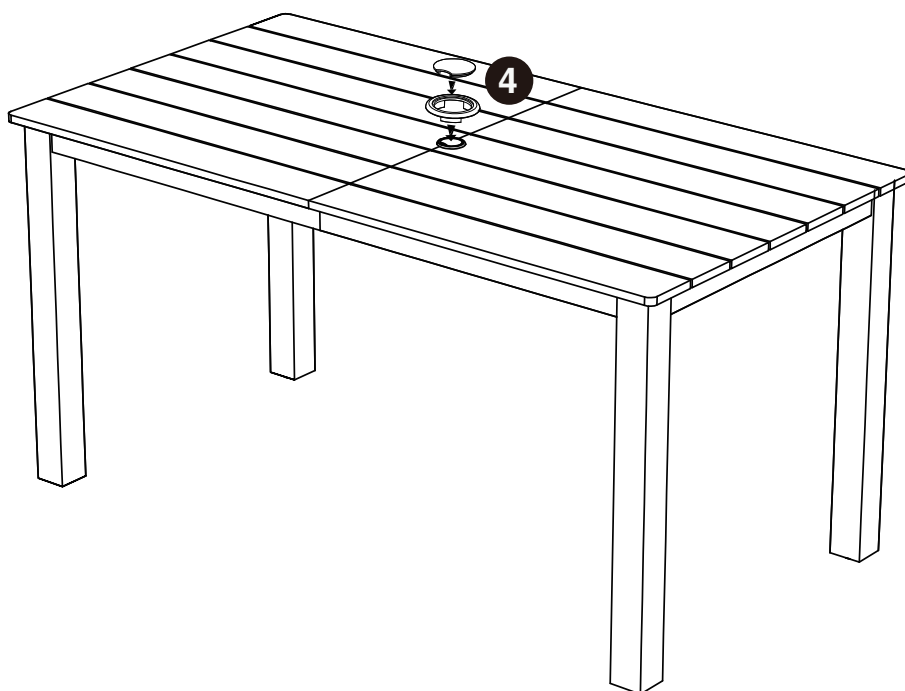
Use 8 screws **1** to connect Leg **C** to the previously assembled frame

Step 4



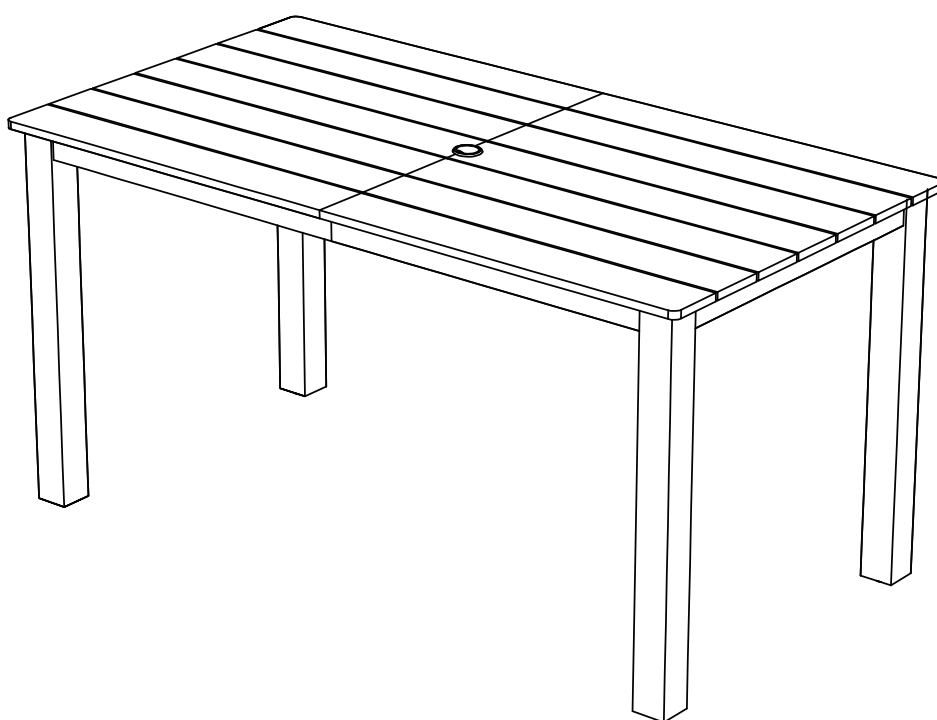
Install non-slip mat **5** *4

Step 7



Use 4 to cover the hole in the middle of the table (if you are not temporarily installing the umbrella).

Step 8



Tighten all the screws to 100%.

Product Declaration

Product:	Dining Table
Main material:	HDPE
Product No:	Please refer to the label or the Assembly and User Instruction. The product code refers to the type, length and color of the product. As an example : "A"· Desktop, "B"· Desktop, "C"· Leg etc.
Technical character and size:	Please refer to the User's Manual.
Assembly and spare parts:	Please refer to the User's Manual.
Maintenance:	Please refer to the User's Manual.
Production date:	Please refer to the label on the outer package.

We have been dedicated to creating high-quality and authentic outdoor and indoor furnishings. Our skilled craftsmen use traditional techniques to transform the natural beauty into unique, functional pieces that add warmth and character to any home.



Low Maintenance

Our weather-resistant patio furniture cleans easily with soap and water, and you never need to paint, stain, or waterproof it, saving you time and money.



Color-Stay Technology

UV inhibitors and stabilizers protect from environmental degradation and, along with light stable pigments, run throughout the lumber so you can enjoy rich color for years to come.



Weatherproof

Our all-weather patio furniture is built to handle the harshest conditions from hot sun and salt spray, to heavy winds and even blizzards.



Sustainability Minded

Our infinitely recyclable lumber is made from reusable plastics with a zero-waste mindset-right here in the USA-to leave behind the lightest footprint possible.

★ MAINTENANCE INSTRUCTIONS:

*Please read before beginning assembly! To avoid damaging furniture perform the assembly of your furniture on a clean soft surface like a blanket, carpet, or the flattened cardboard box the furniture was shipped in. Components should not be unnecessarily forced together! Use a Cordless Screw Gun if you have one and know how to use it. Set the clutch setting at medium torque. We do not recommend using an electric drill with a cord and without a clutch to install bolts in inserts as you can easily overtighten and damage the product. All bolts come standard with a thread coating to reduce bolts loosening after assembly while still allowing removal and reuse of the bolt.