
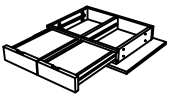
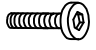




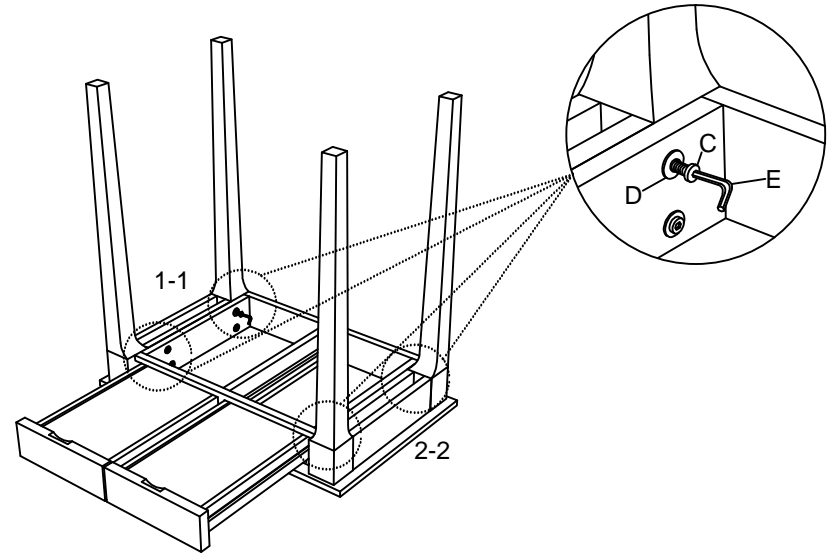


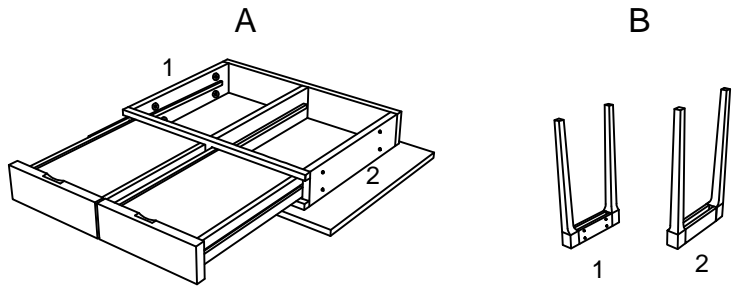
# ASSEMBLY INSTRUCTION SHEET FOR WRITING DESK

VENDOR CODE:-JC-97437	 2 PERSON	A		1	C		x8
					D		x8
WRITING DESK SIZE-35x20x30 INCH	 15 MIN	B		4	E		x1

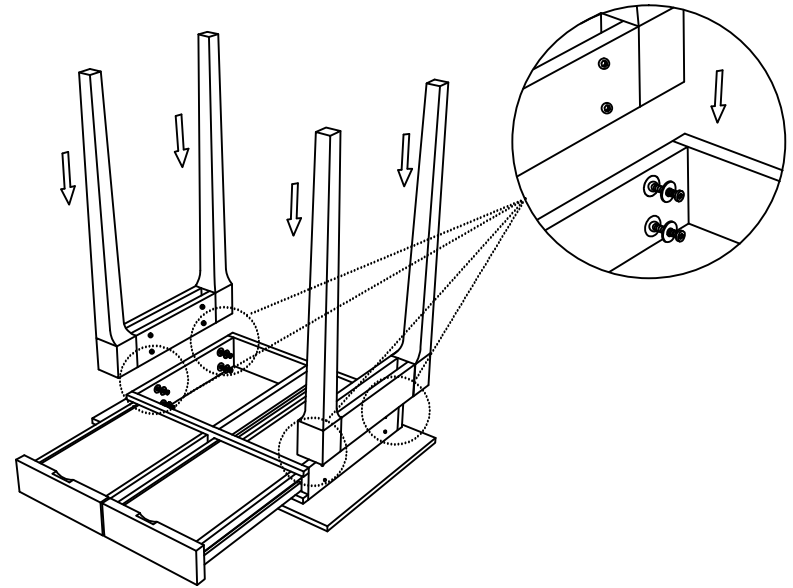
3



1



2



4

ASSEMBLED VIEW

