

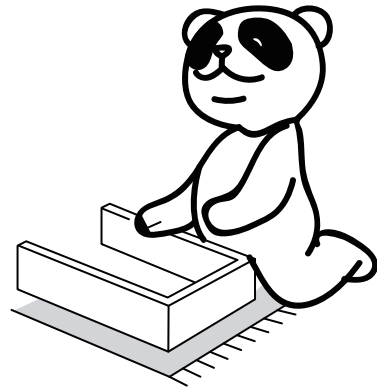
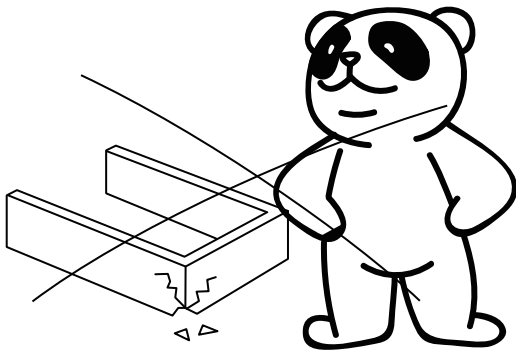
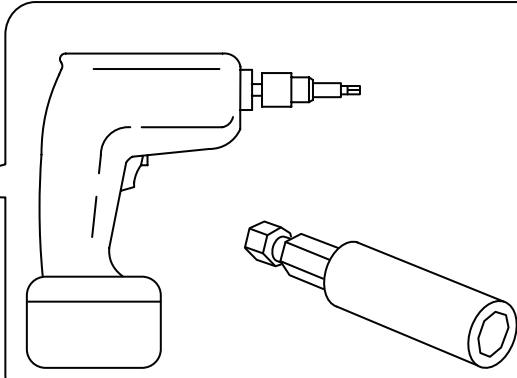
# Installation & Assembly



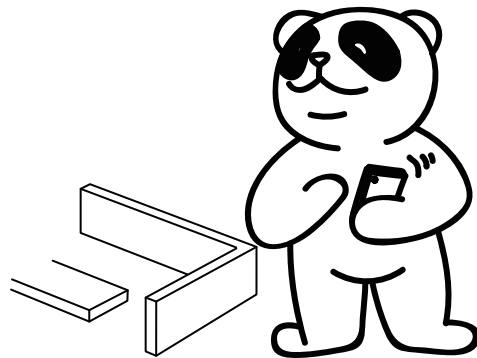
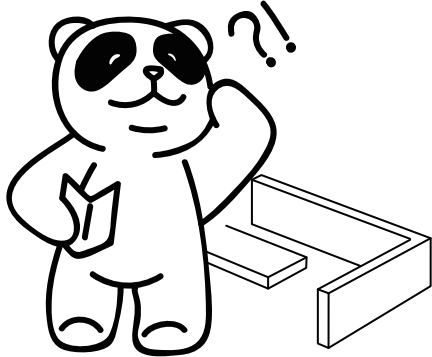
CAUTION:When tightening the screws,tighten sequentially.  
Do not tighten any screws fully and then towards the next one.  
When every part is OK,then tighten all the screws.



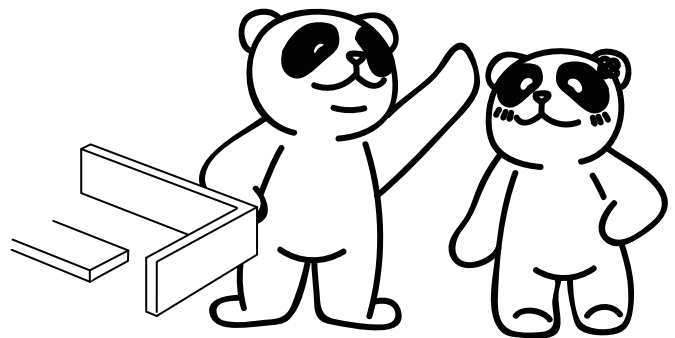
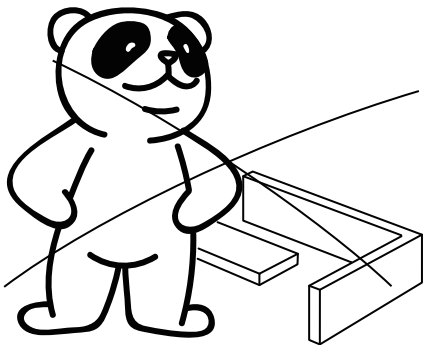
Version : 1.0



**Violent installation is prohibited**

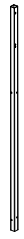


**Please call if you need help**



**Multi-person cooperation is recommended**

# Assembly Instruction



1  
x1



2  
x1



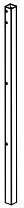
3  
x1



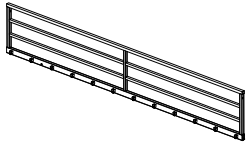
4  
x1



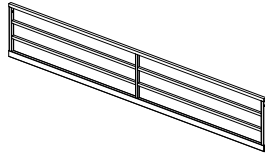
5  
x1



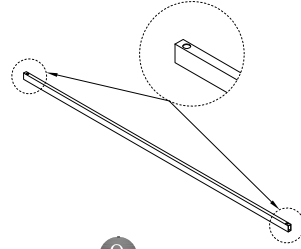
6  
x1



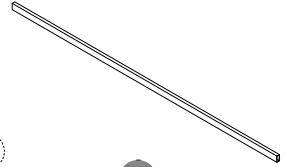
7  
x1



8  
x1



9  
x4



10  
x8



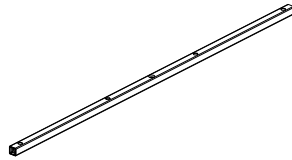
11  
x1



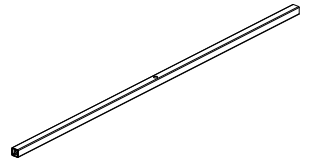
12  
x1



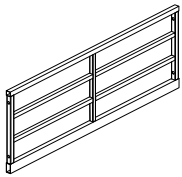
13  
x2



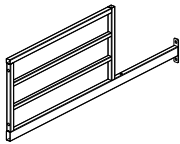
14  
x2



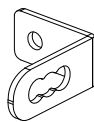
15  
x2



16  
x1



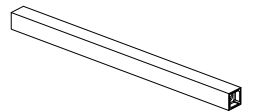
17  
x1



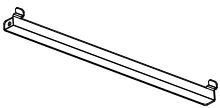
18  
x2



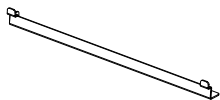
19  
x4



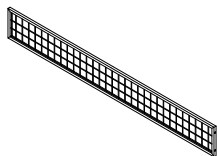
20  
x1



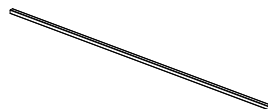
21  
x8



22  
x8



23  
x1



24  
x1



25  
x1

# Assembly Instruction



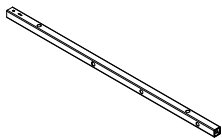
26

x1



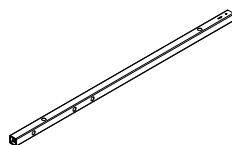
27

x1



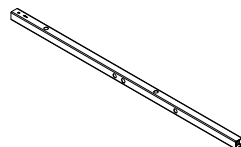
28

x1



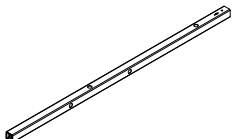
29

x1



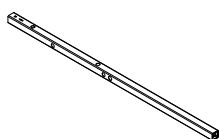
30

x1



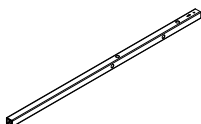
31

x1



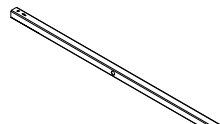
32

x1



33

x1



34

x1



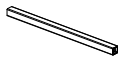
35

x9



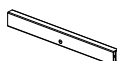
36

x1



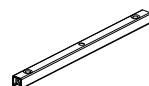
37

x3



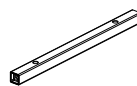
38

x1



39

x1



40

x2



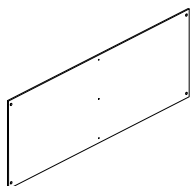
41

x1



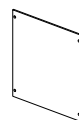
42

x1



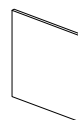
43

x1



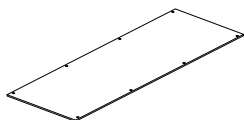
44

x2



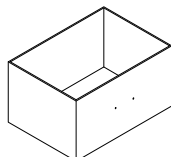
45

x1



46

x1



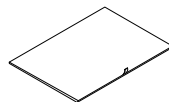
47

x8



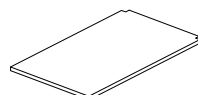
48

x8



49

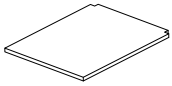
x8



50

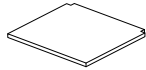
x1

# Assembly Instruction



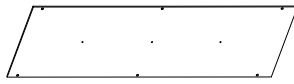
51

x1



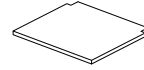
52

x1



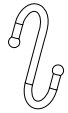
53

x1



54

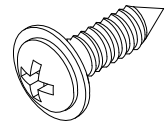
x1



55

x7

## Hardware parts 2



T

Ø4\*16

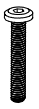
x16

## Hardware parts 1



A

M8\*35  
x10



B

M6\*45  
x2



C

M6\*55  
x25



D

M8\*55  
x8



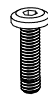
E

M8\*15  
x4



F

M6\*15  
x10



G

M5\*25  
x8



H

M6\*28  
x25



I

M6\*35  
x55



J

M6\*30  
x4



K

M6\*15  
x16



L

Ø5\*35  
x9



M

M6\*50  
x2



N

#3  
x1



O

#4  
x1

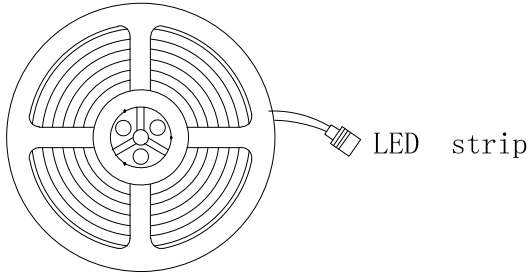


P

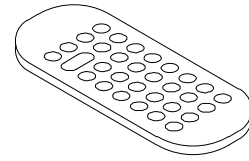
x1

# Assembly Instruction

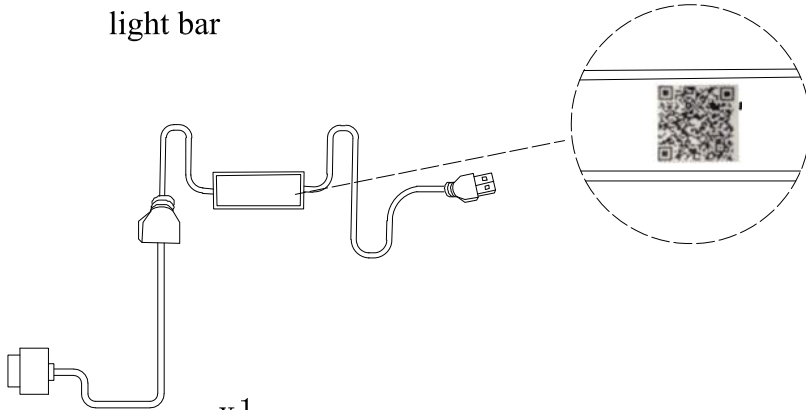
## LED light strip electronic accessories list



x1  
light bar

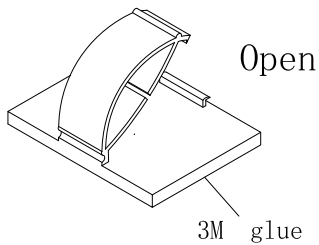


x1  
Remote control

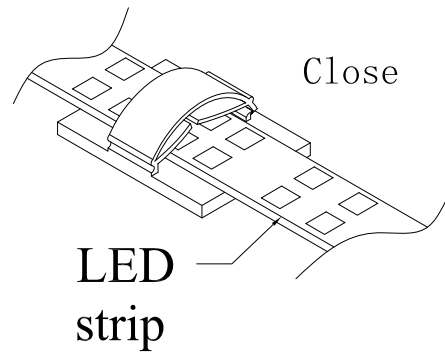


x1  
Controller wire

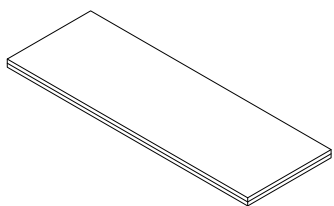
There is a two-dimensional code at the position of the power line. Scanning can download the APP for the control light



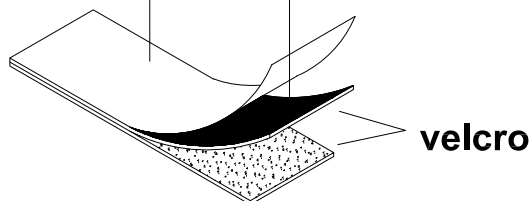
x5  
LED strip with clips



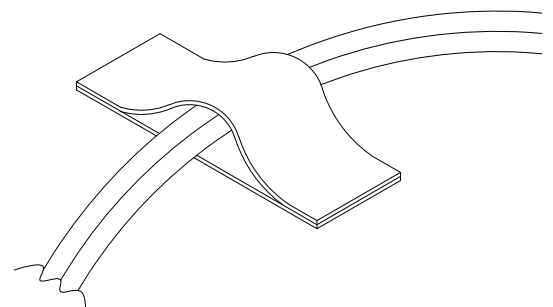
Anti stick paper      Gluing surface



x3  
Thread embedding buckle



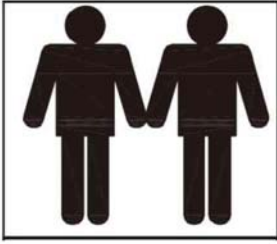
When the wires are disordered, tear off the anti stick paper, paste it on the place where the wires pass, and then bind the wires.



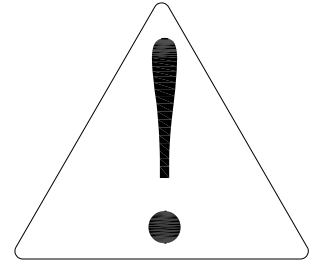
# Assembly Instruction

Note:

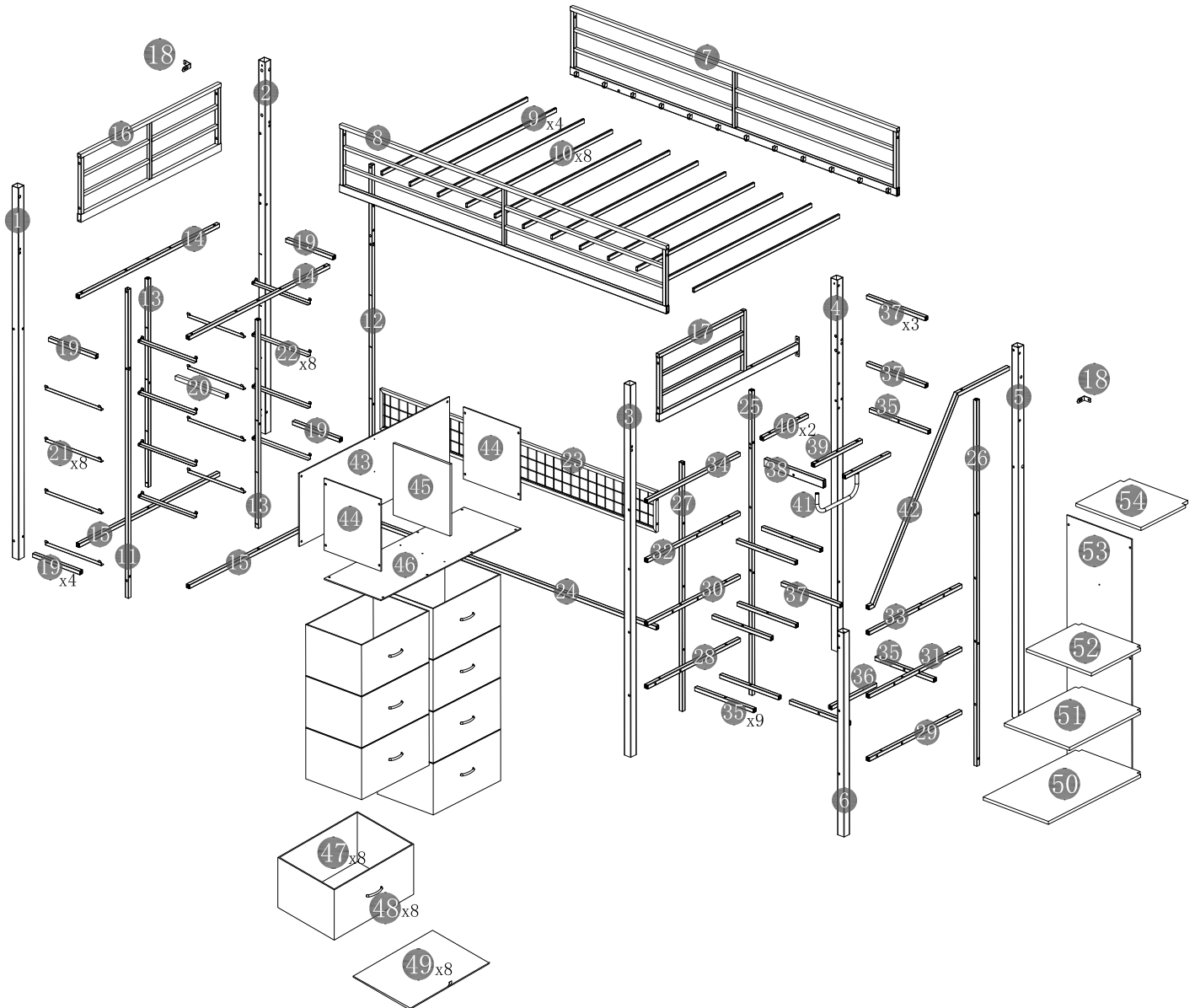
1. should be assembled on flat ground to keep balance.
2. Before completing the installation, do not tighten the screws.



It needs at least two people to install.

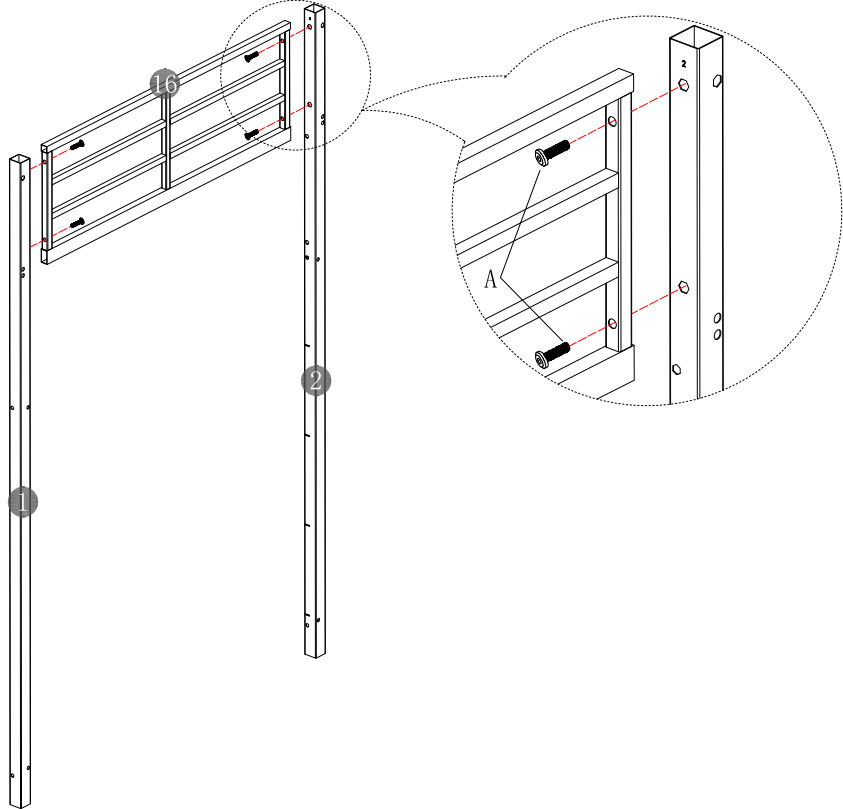


Before starting the assembly, you must read the whole manual and follow the instructions



# Assembly Instruction

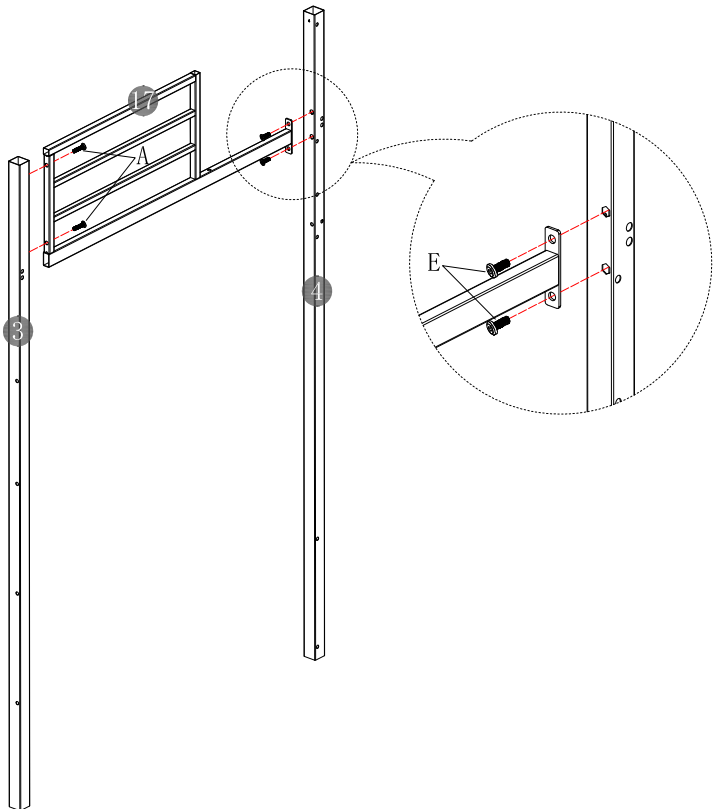
1



A M8\*35  
x4

O S4  
x1

2



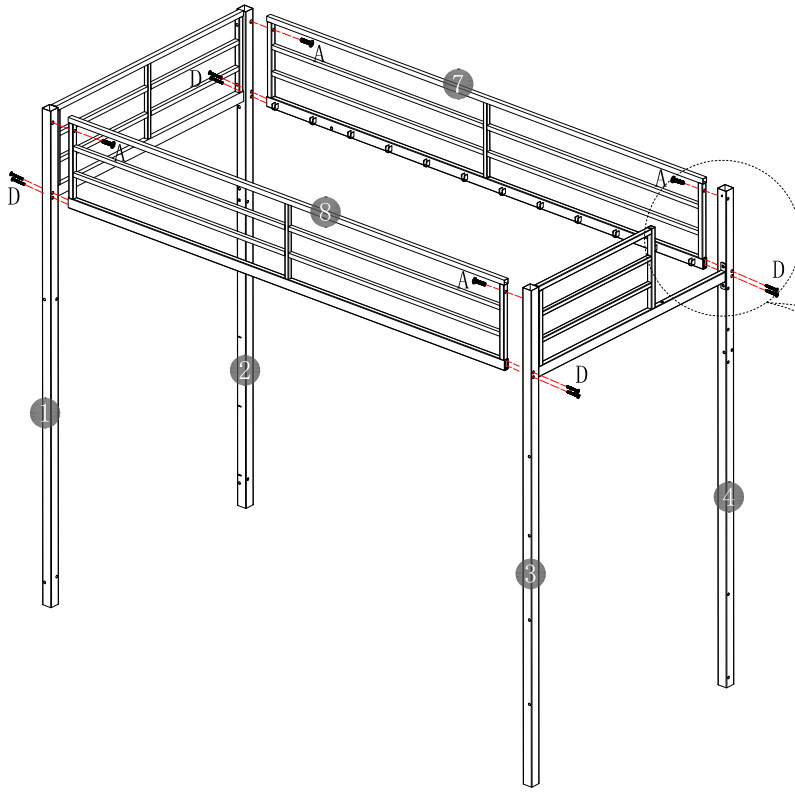
A M8\*35  
x2

E M8\*15  
x2

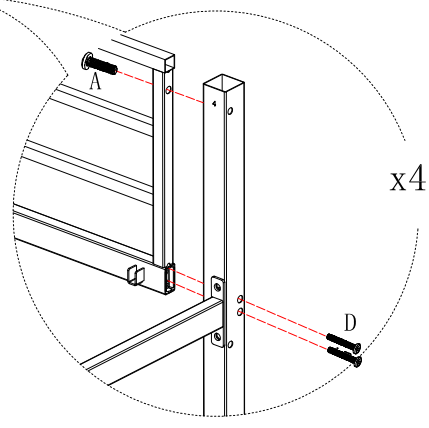
O S4  
x1

# Assembly Instruction

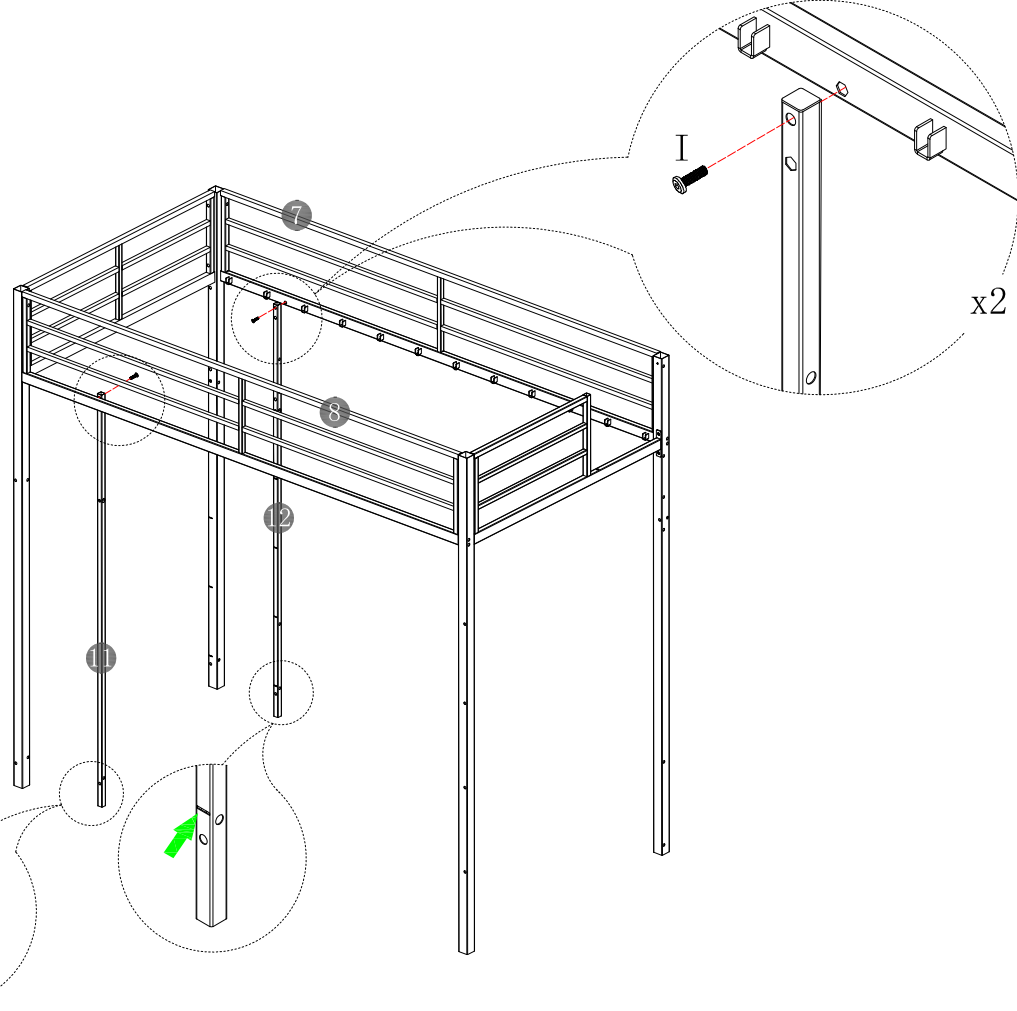
3



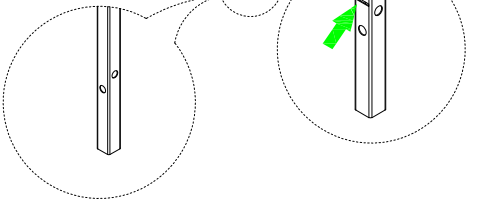
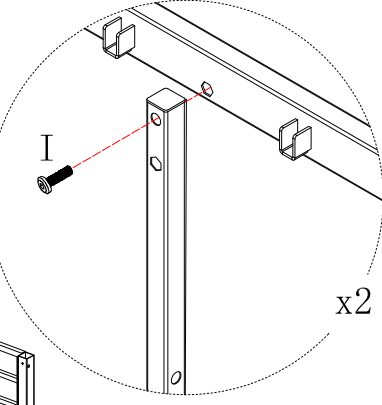
- D M8\*55  
x8
- A M8\*35  
x4
- O S4  
x1



4

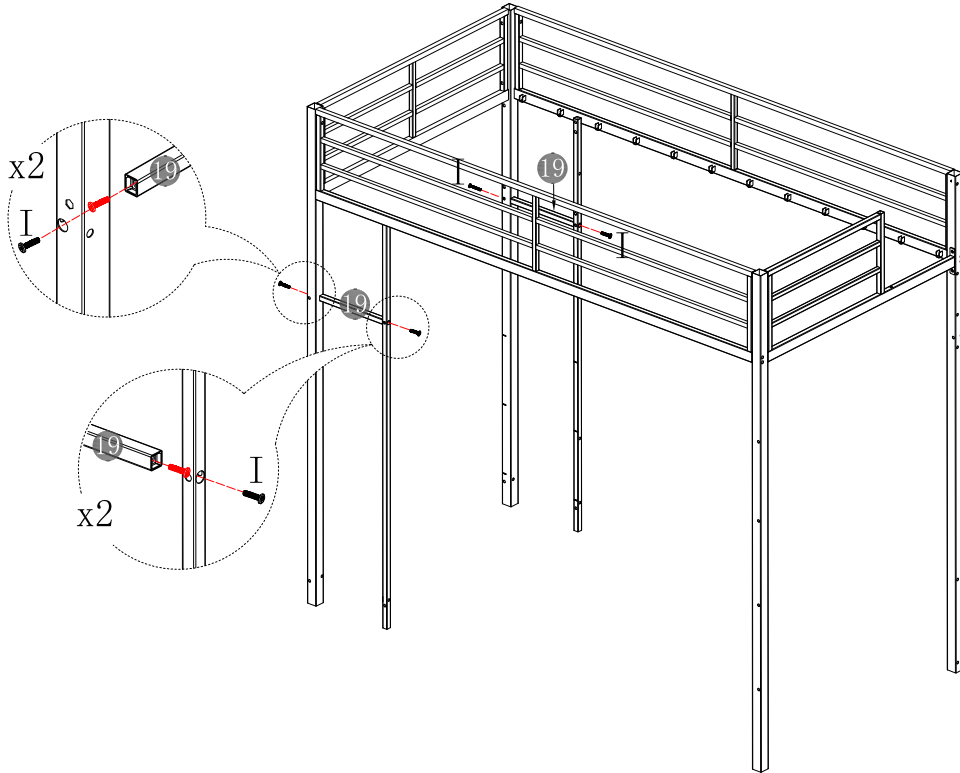


- I M6\*35  
x2
- O S4  
x1



# Assembly Instruction

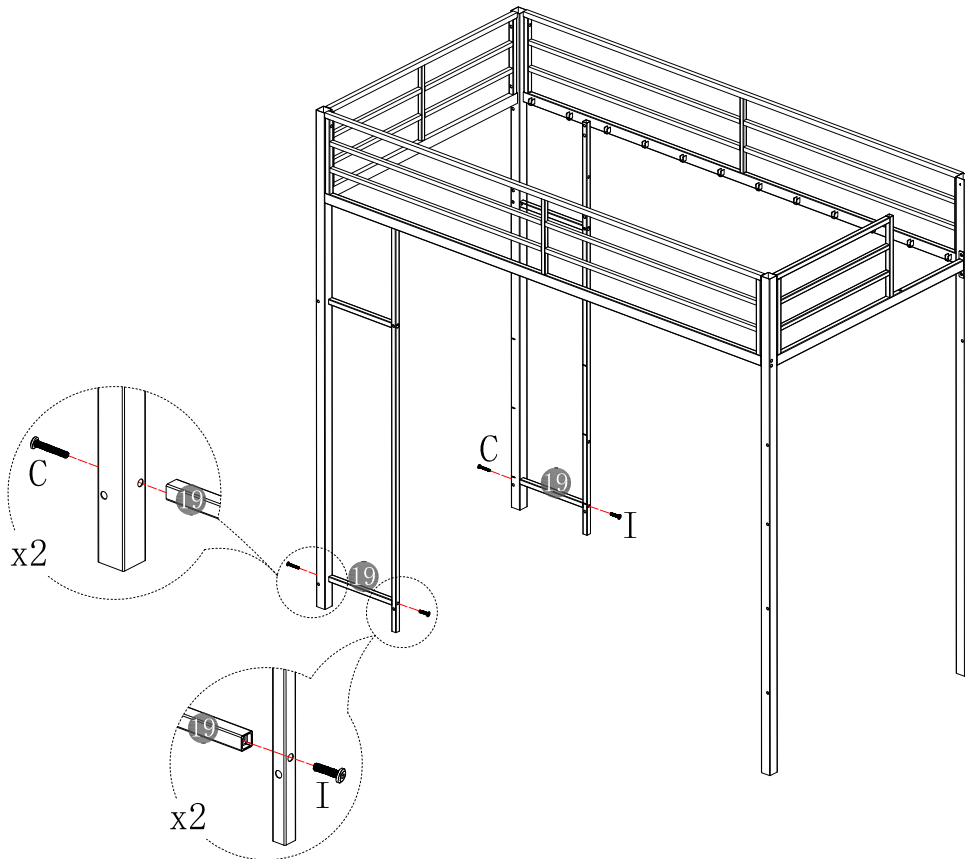
5



I M6\*35  
x4

O S4  
x1

6



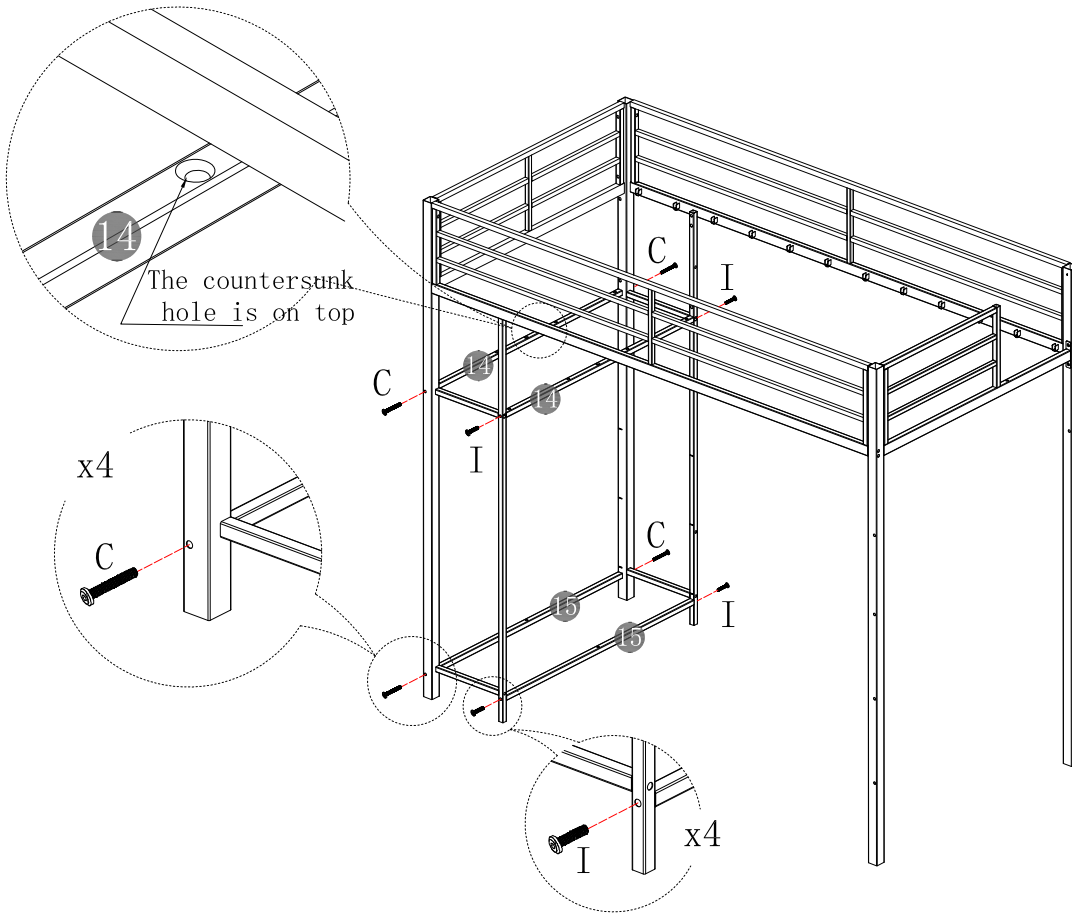
C M6\*55  
x2

I M6\*35  
x2

O S4  
x1

# Assembly Instruction

7

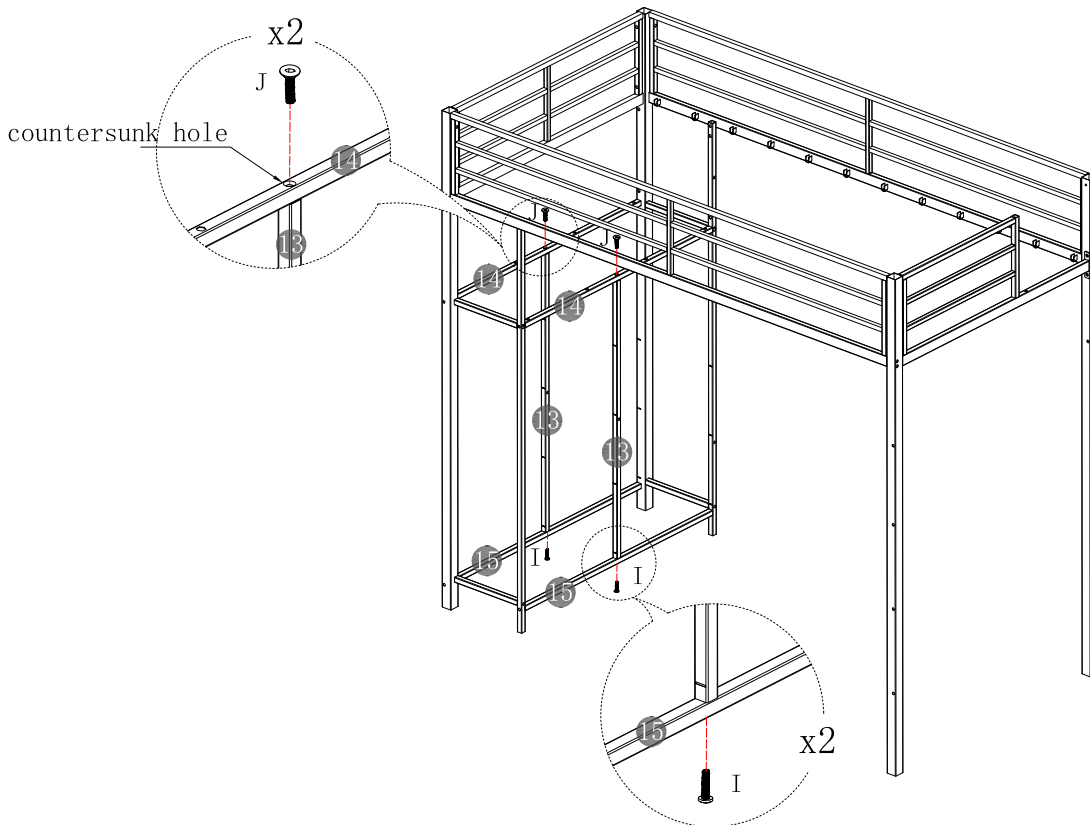


C M6\*55  
x4

I M6\*35  
x4

O S4  
x1

8



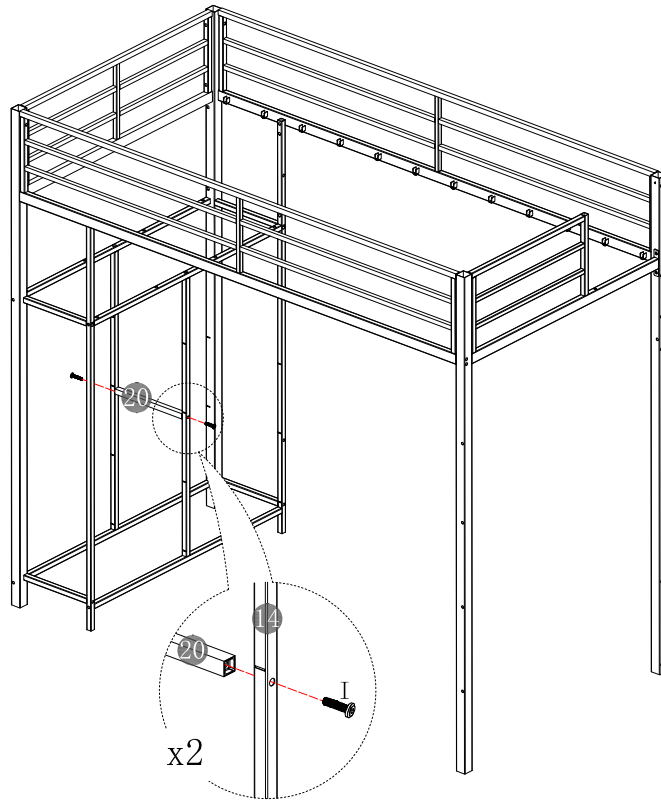
I M6\*35  
x2


J M6\*30  
x2


O S4  
x1

# Assembly Instruction

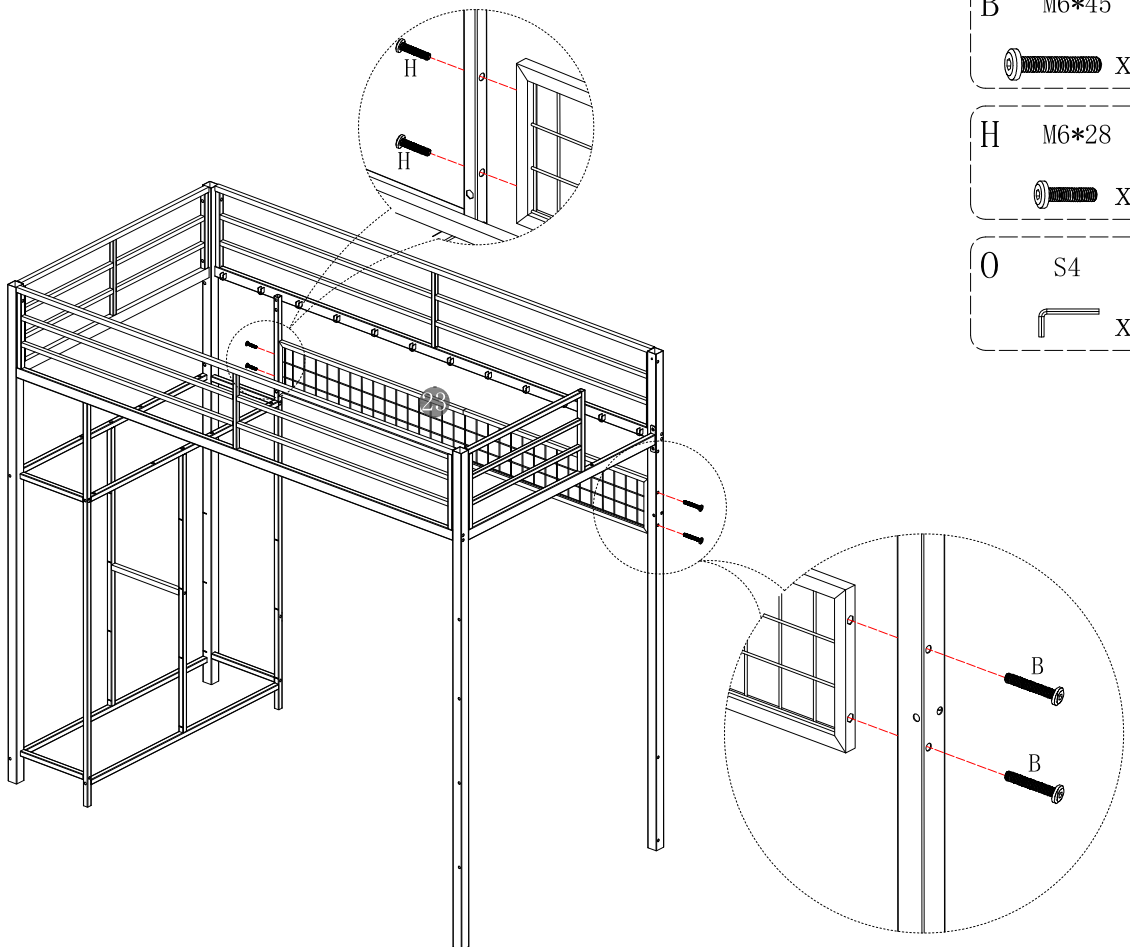
9





I M6\*35  
 x2


O S4  
 x1

10



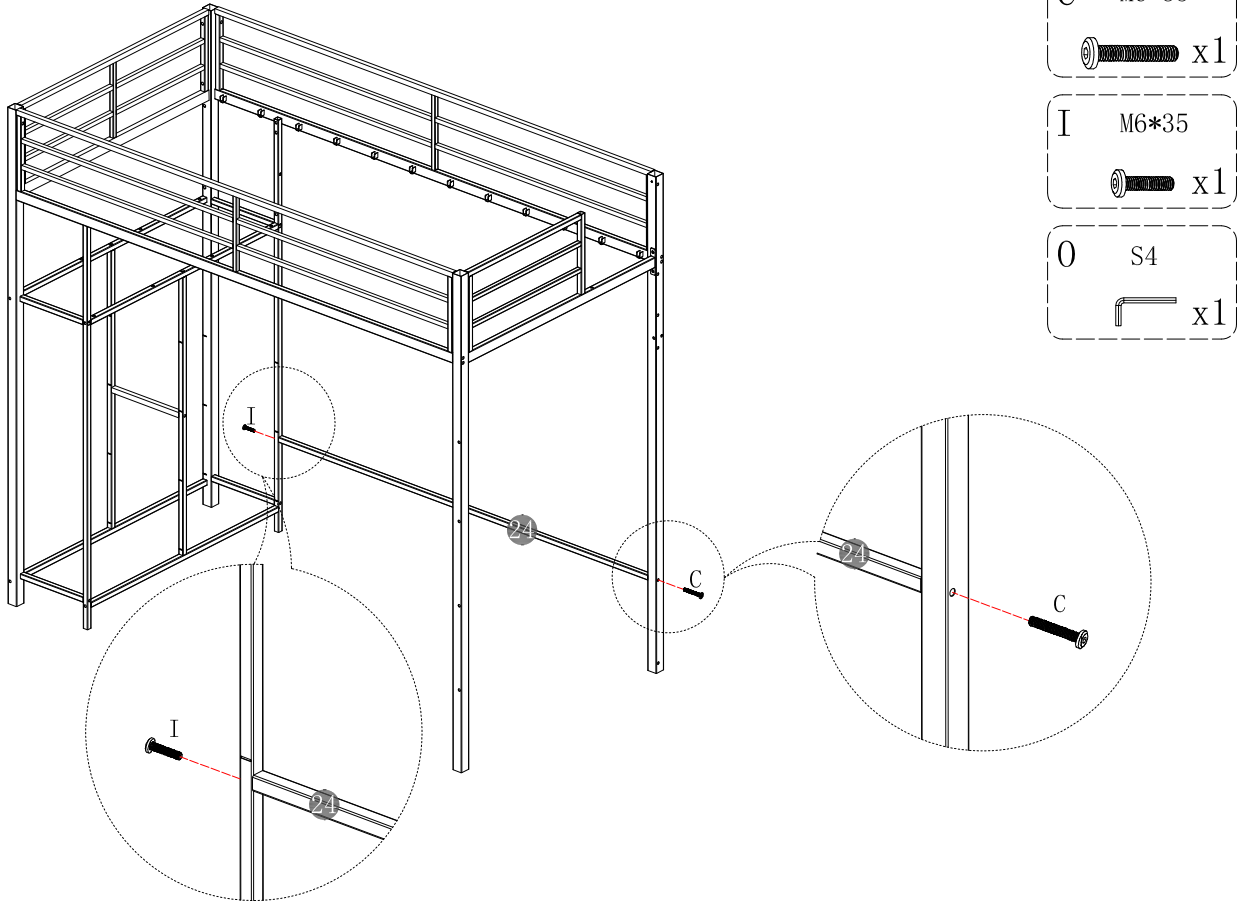
B M6\*45  
 x2

H M6\*28  
 x2

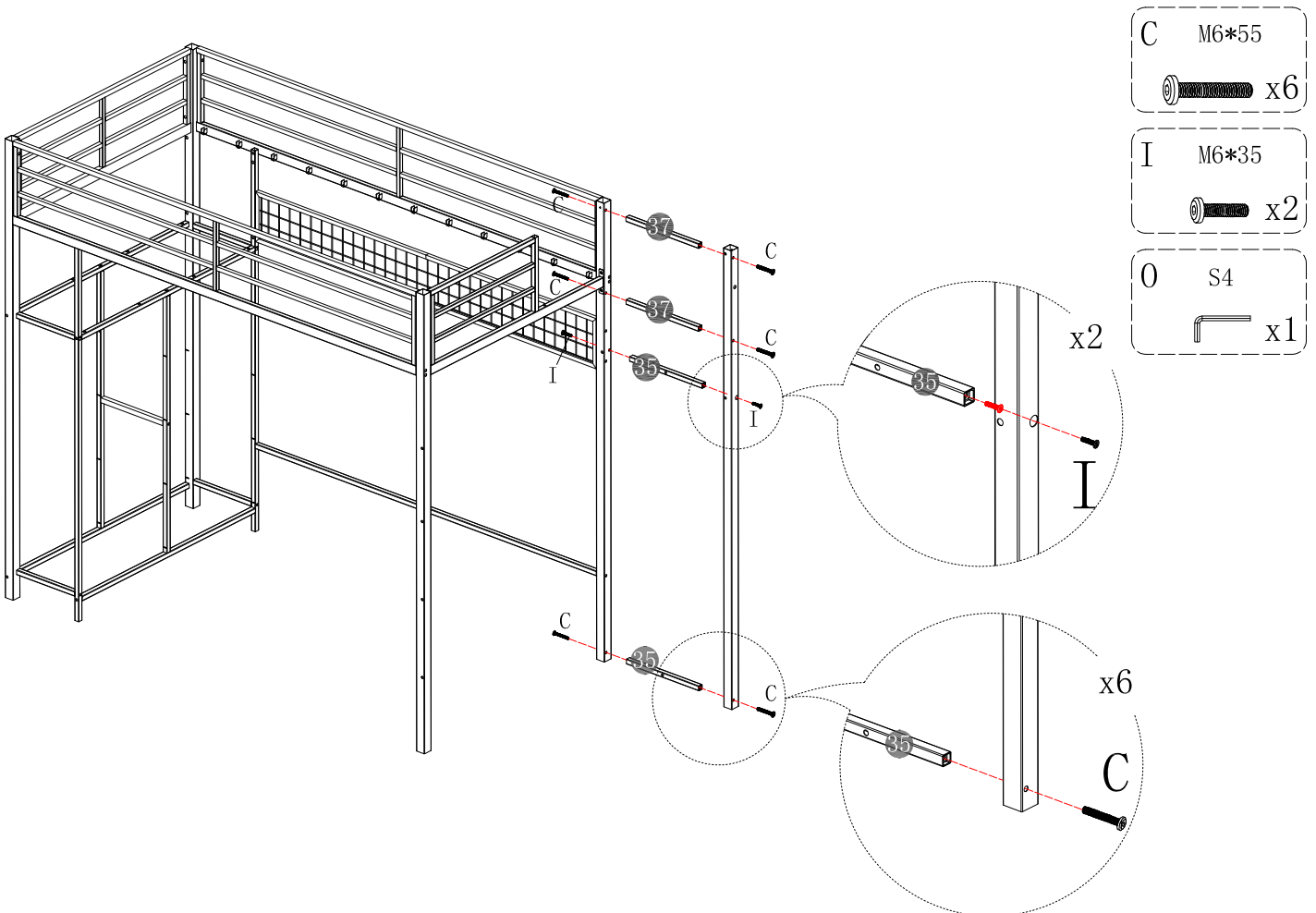
O S4  
 x1

# Assembly Instruction

11

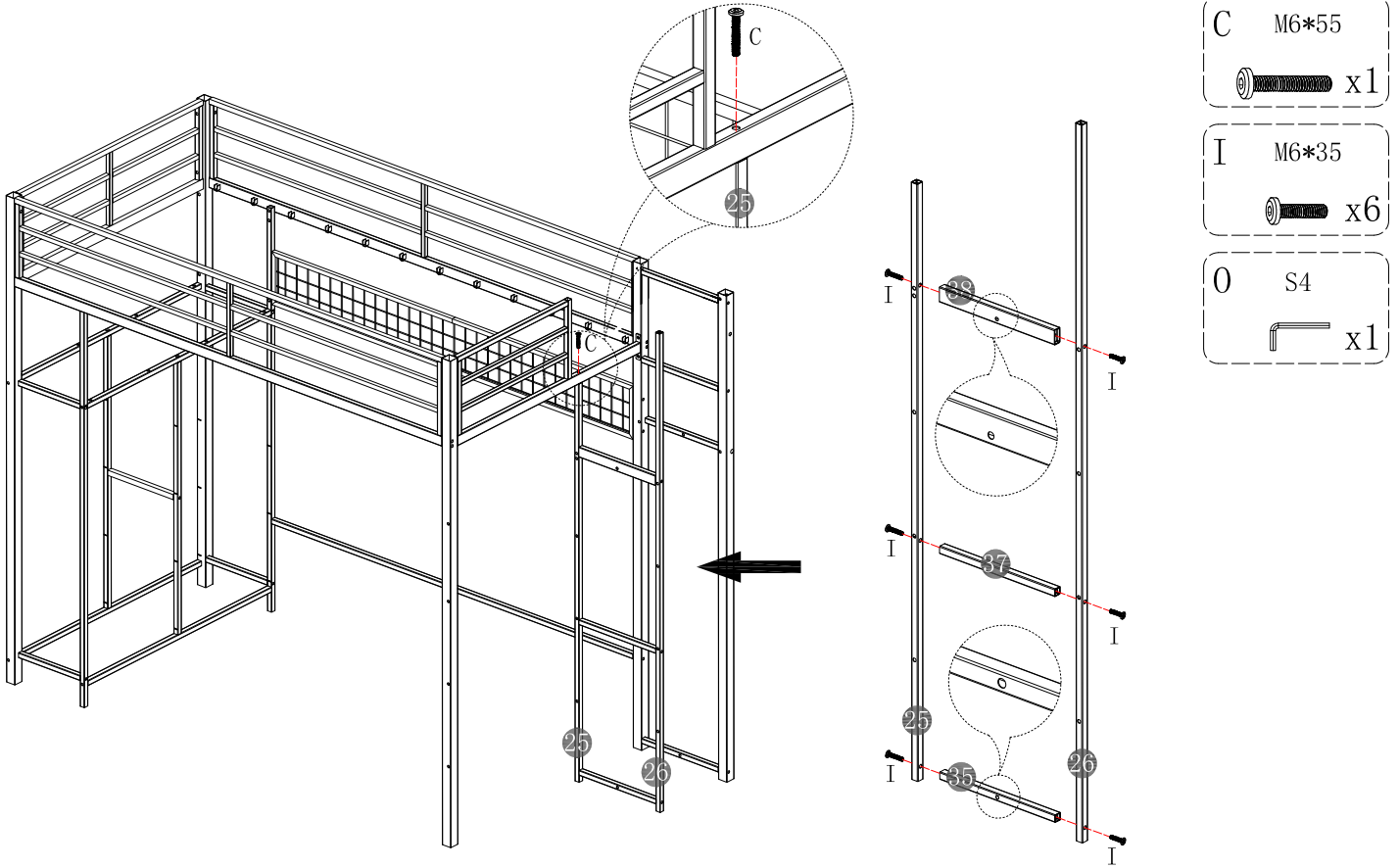


12

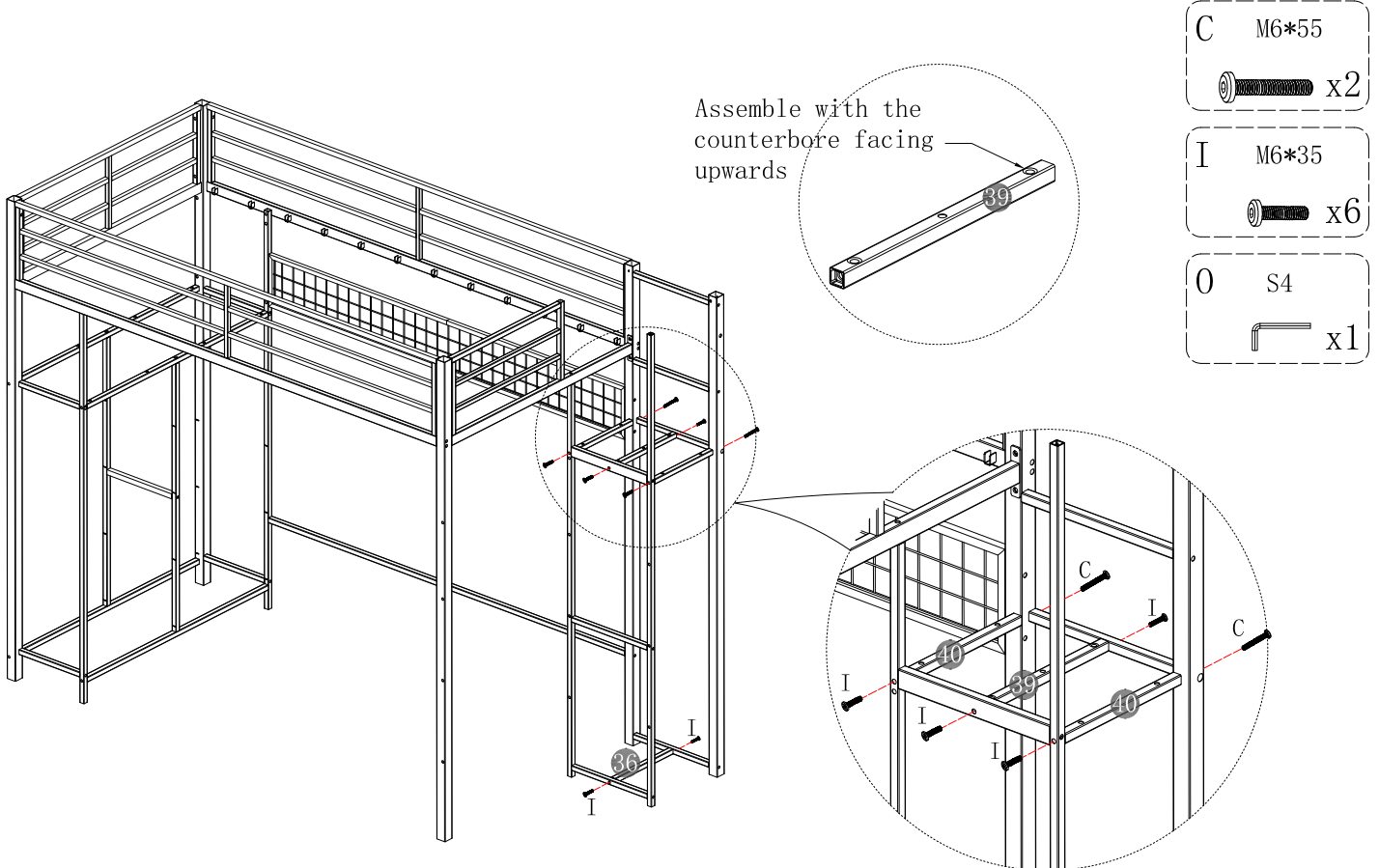


# Assembly Instruction

13

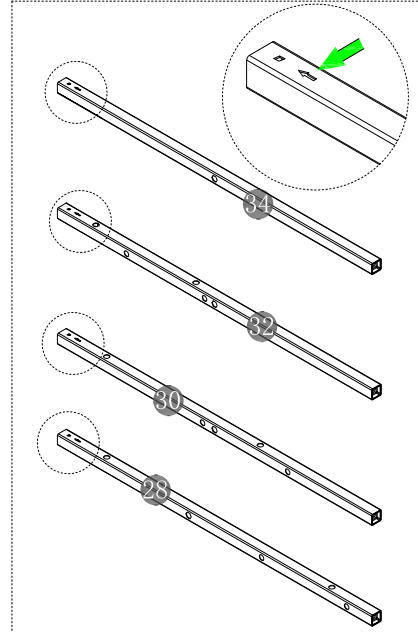
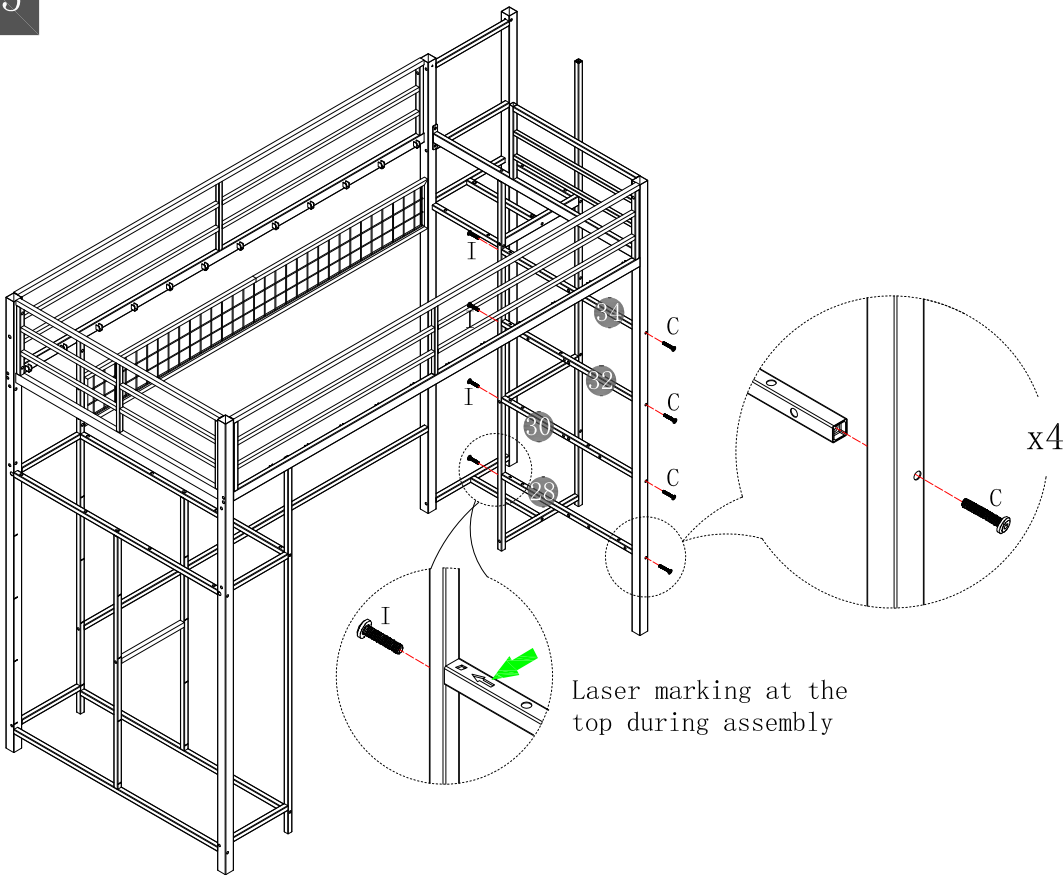


14

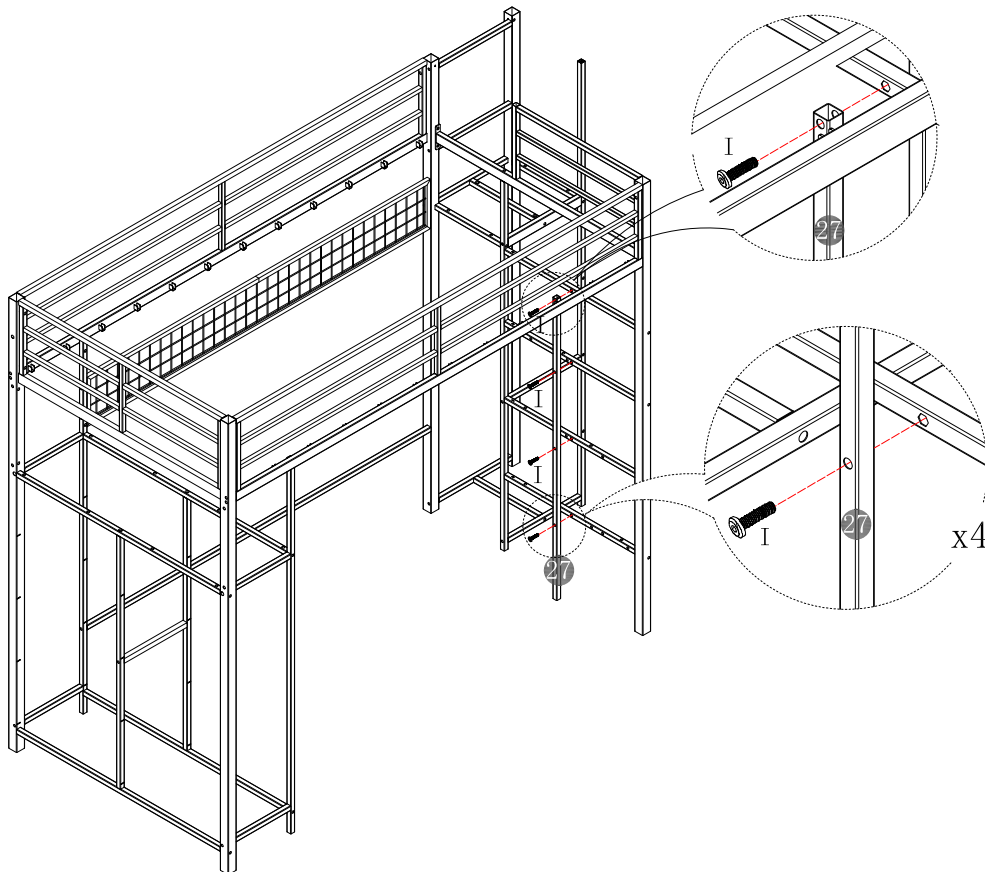


# Assembly Instruction

15

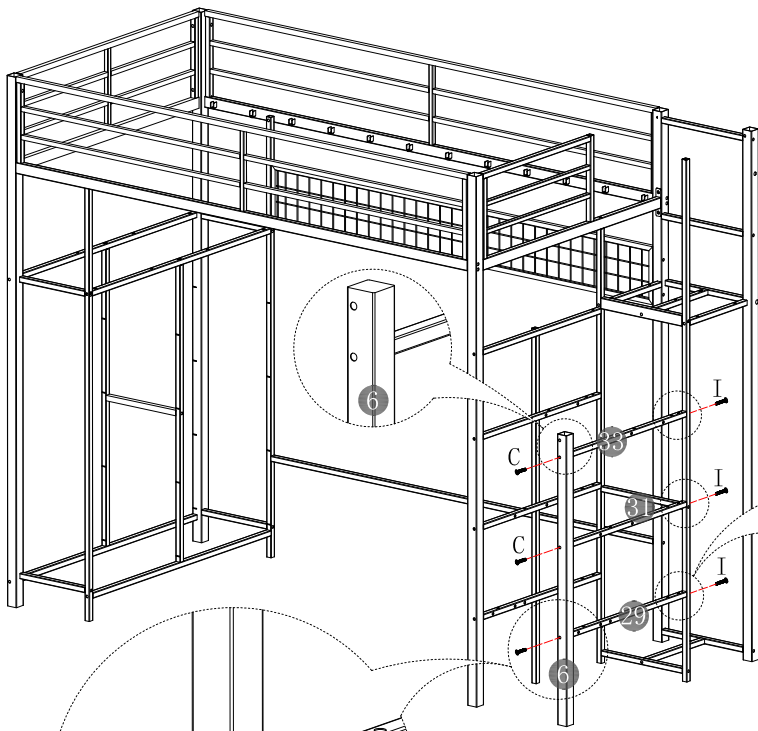


16



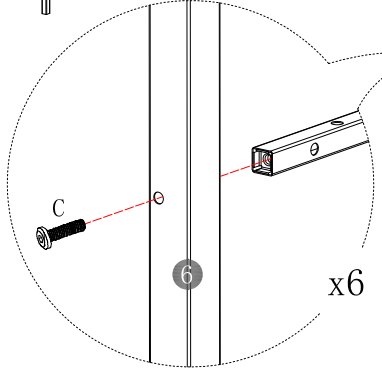
# Assembly Instruction

17

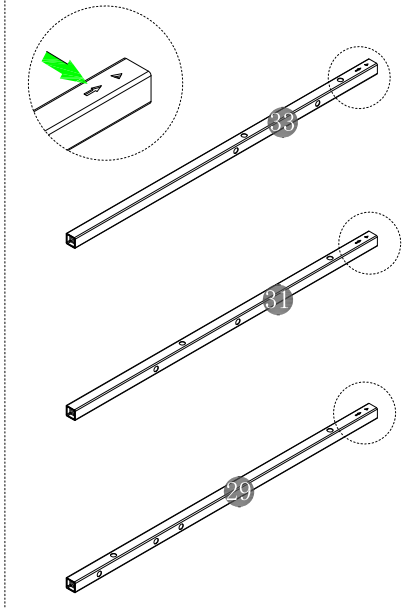
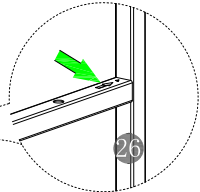


- C M6\*55  
x3
- I M6\*35  
x3
- O S4  
x1

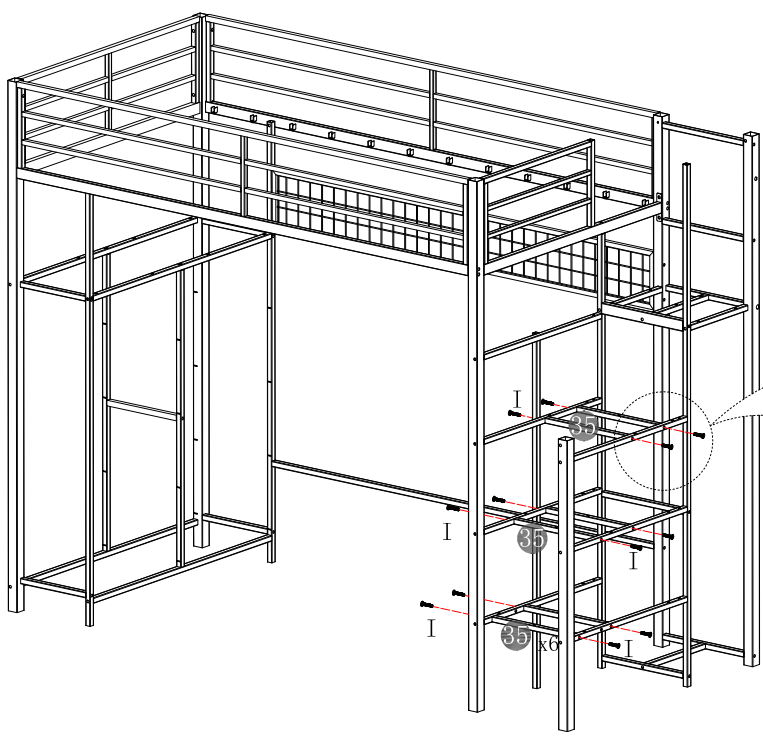
Laser marking at the top during assembly



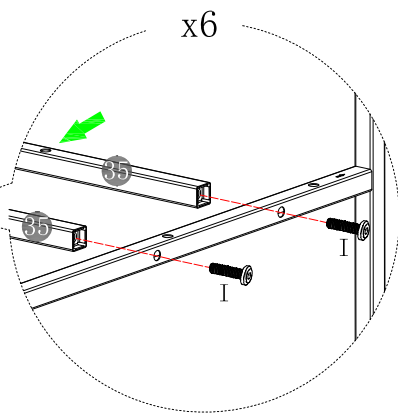
x6



18



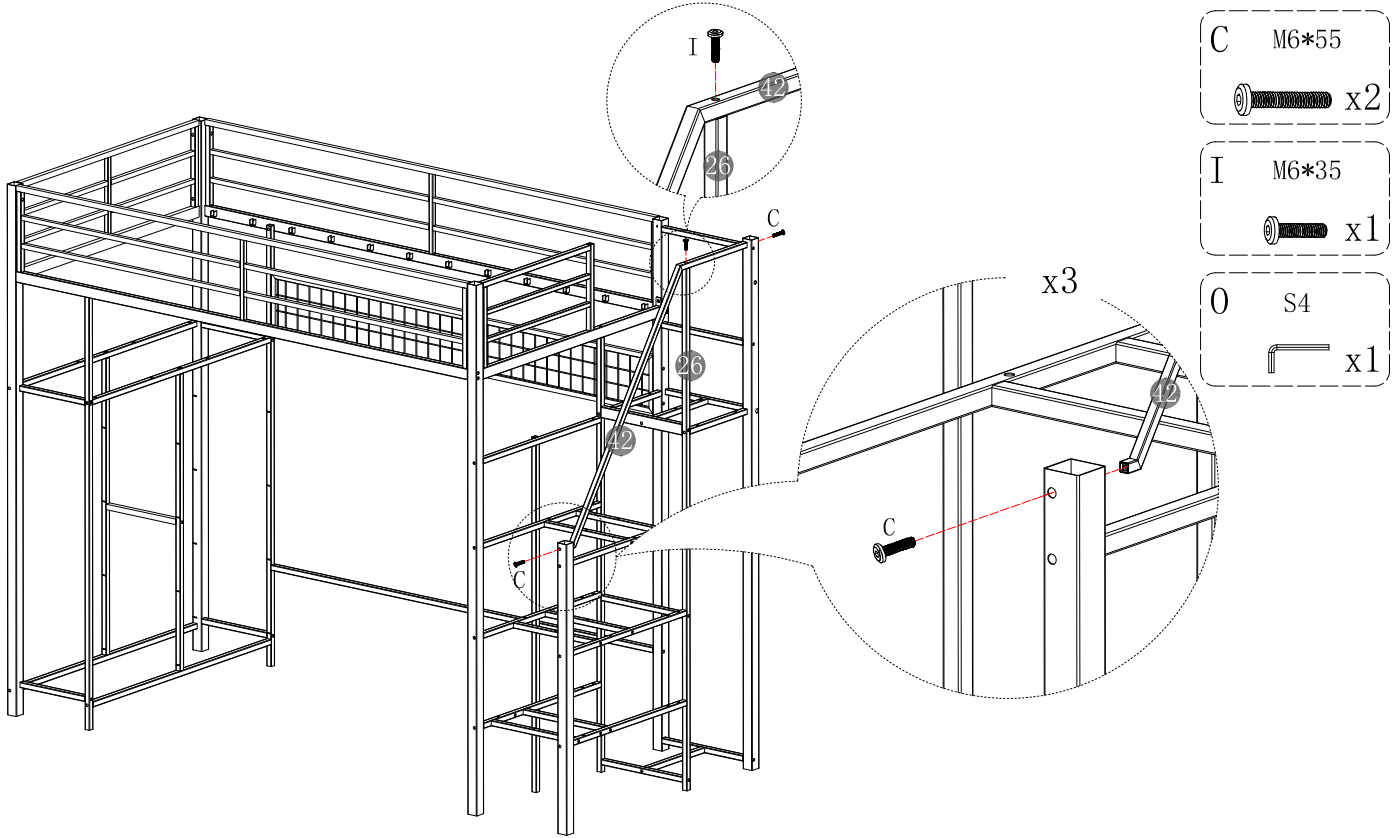
- I M6\*35  
x12
- O S4  
x1



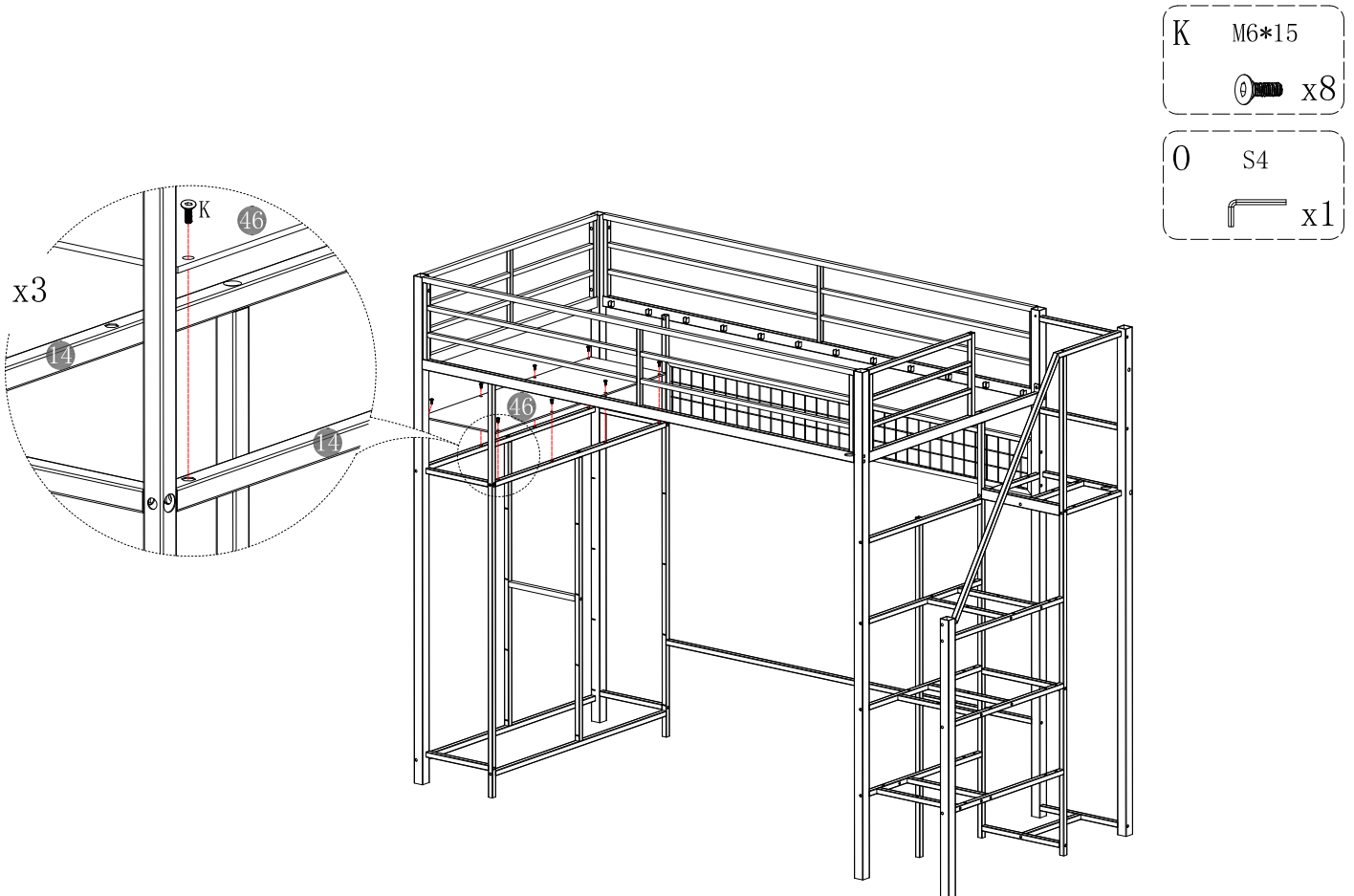
x6

# Assembly Instruction

19

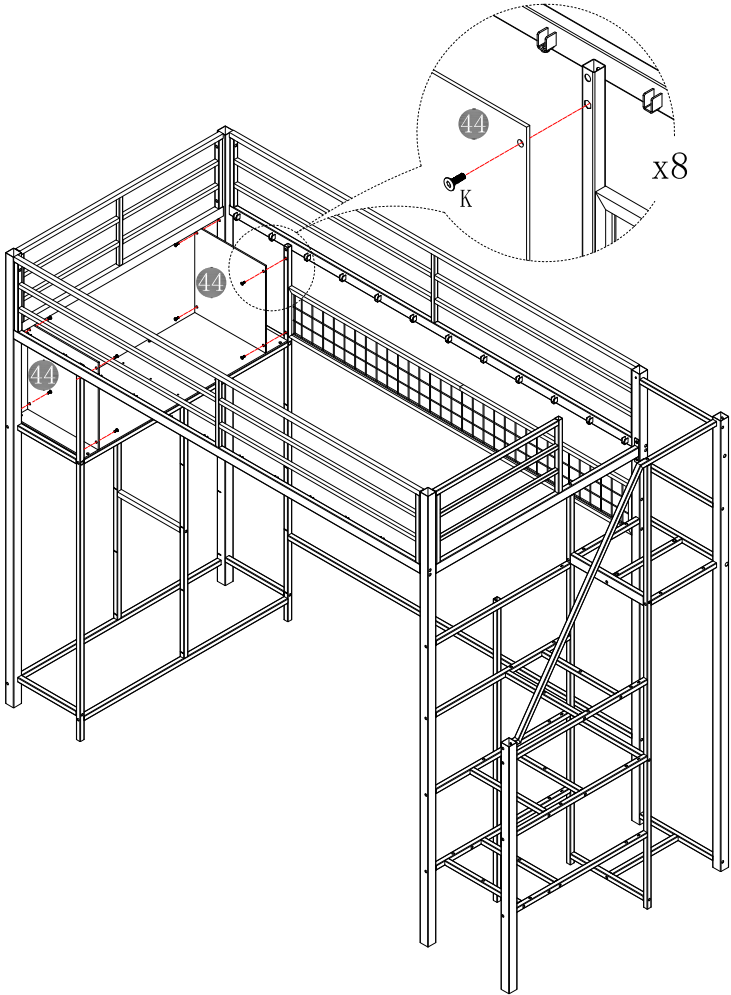


20



# Assembly Instruction

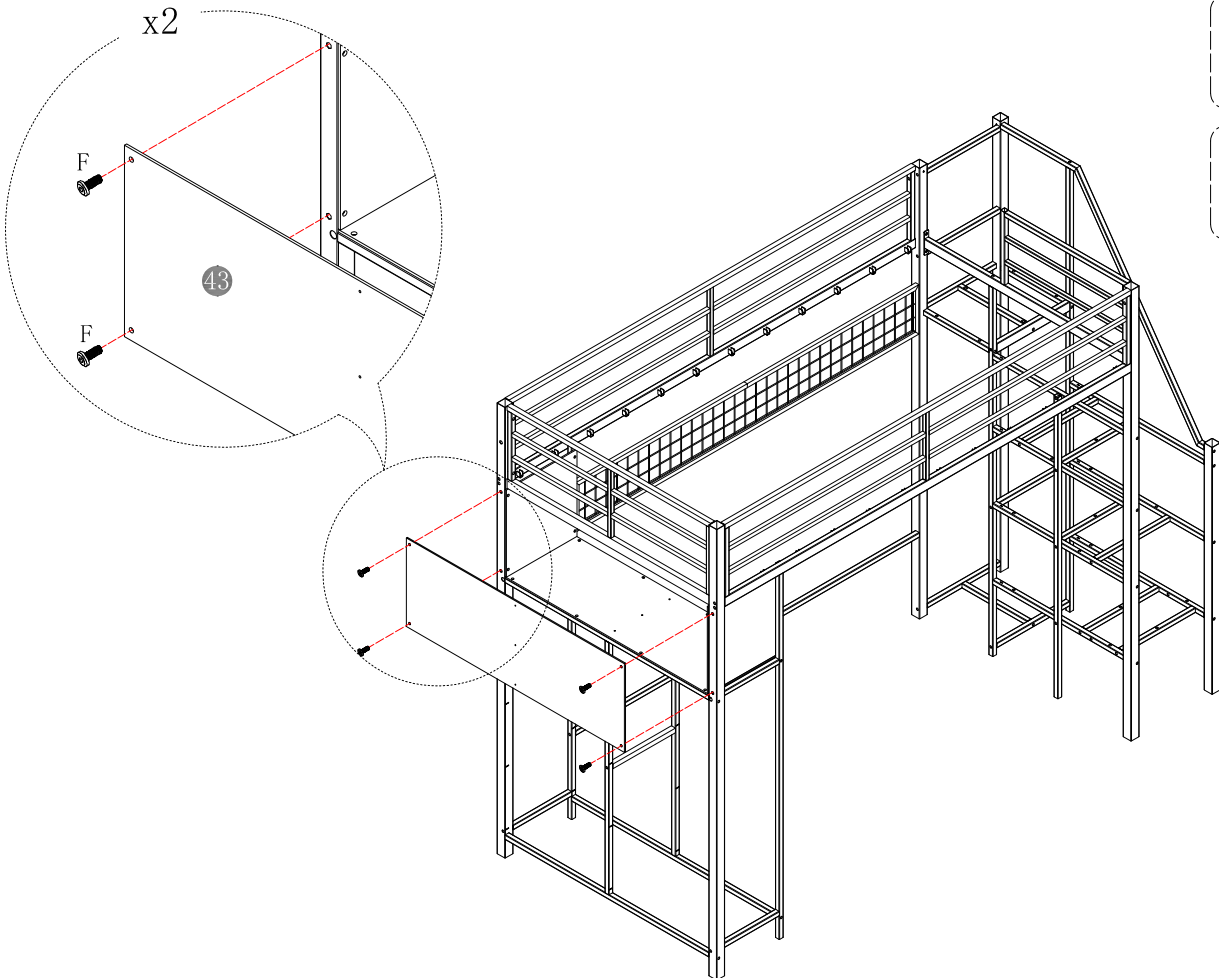
21



K M6\*15  
x8

O S4  
x1

22

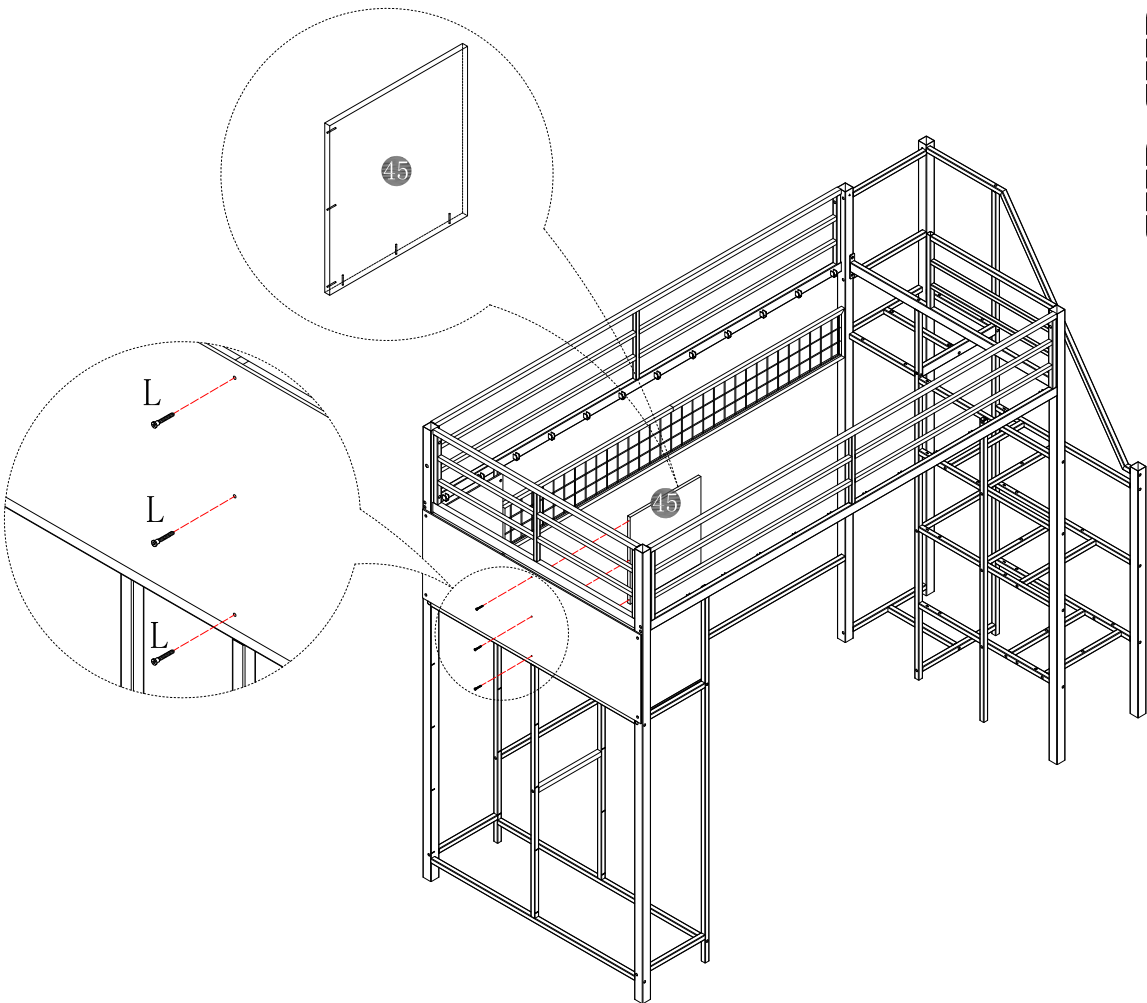


F M6\*15  
x4

O S4  
x1

# Assembly Instruction

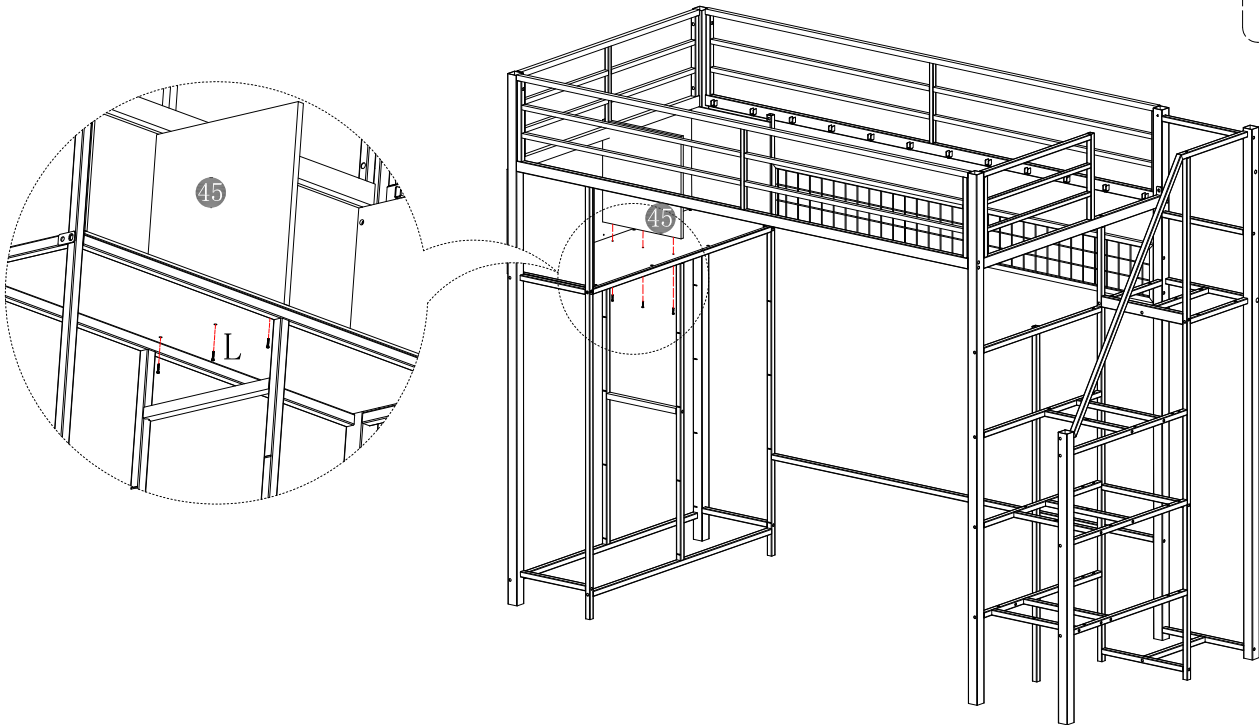
23



L  $\phi 5 \times 35$   
x3

N #3  
x1

24

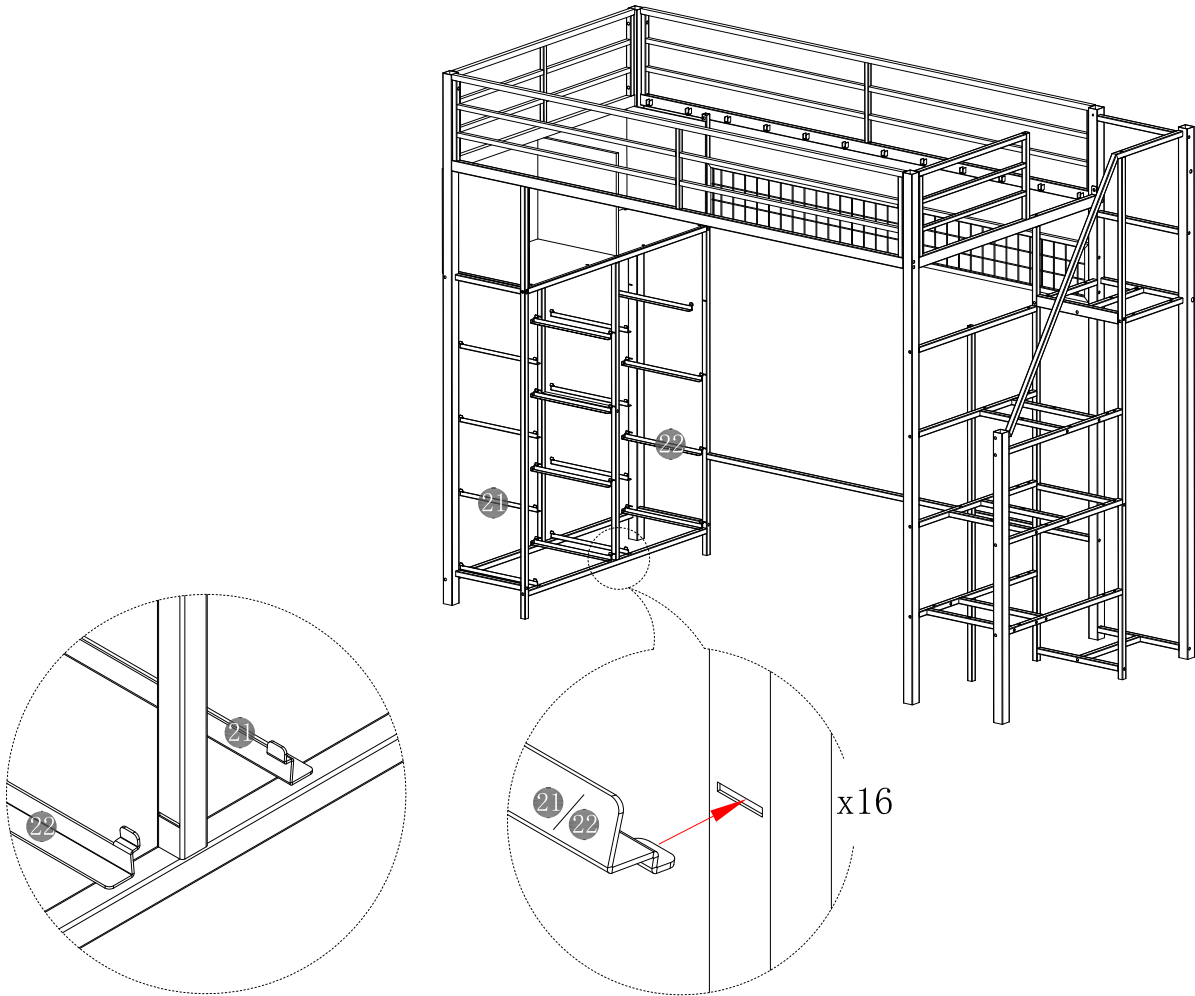


L  $\phi 5 \times 35$   
x3

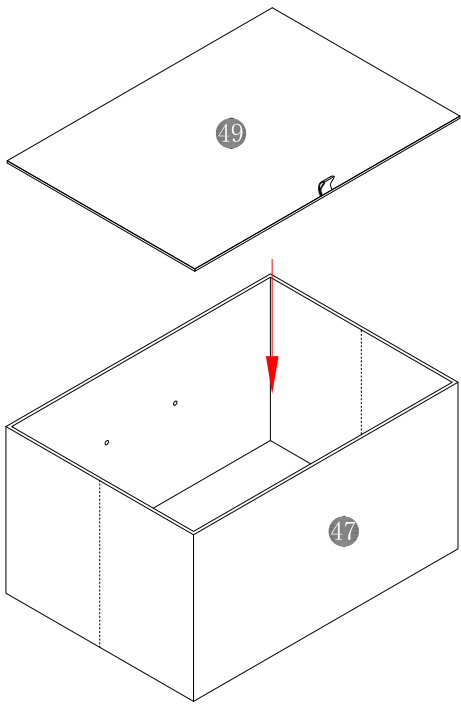
N #3  
x1

# Assembly Instruction

25

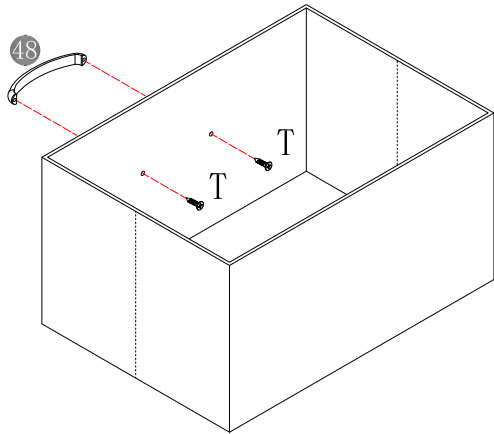


26



T  $\varnothing 4*10$   
x16

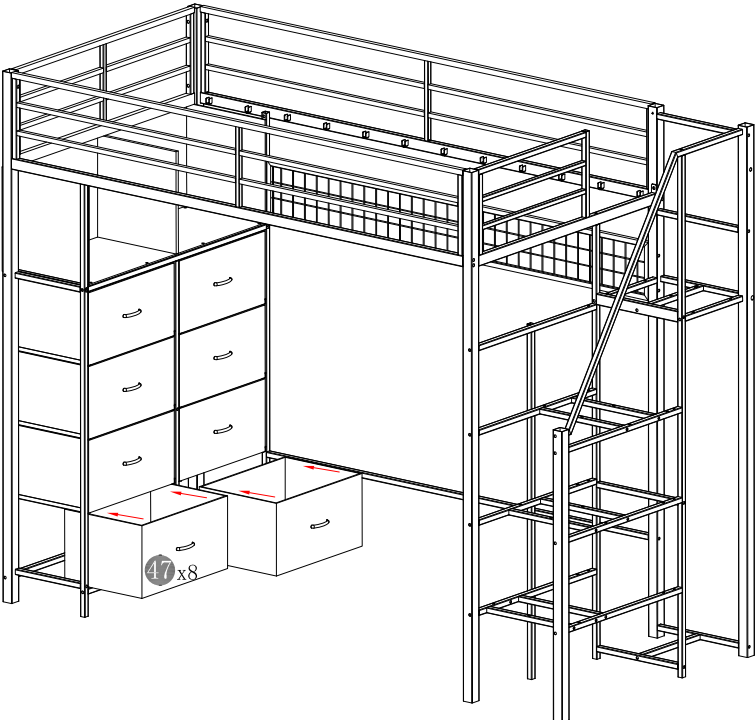
P  
x1



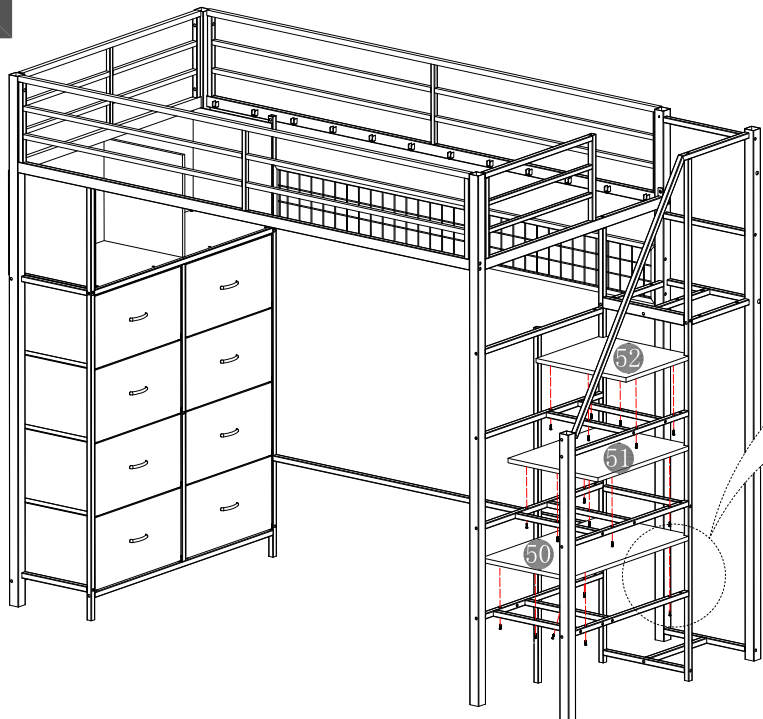
x8

# Assembly Instruction

27

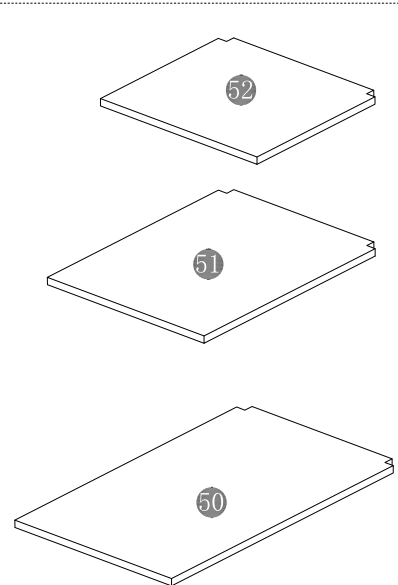


28



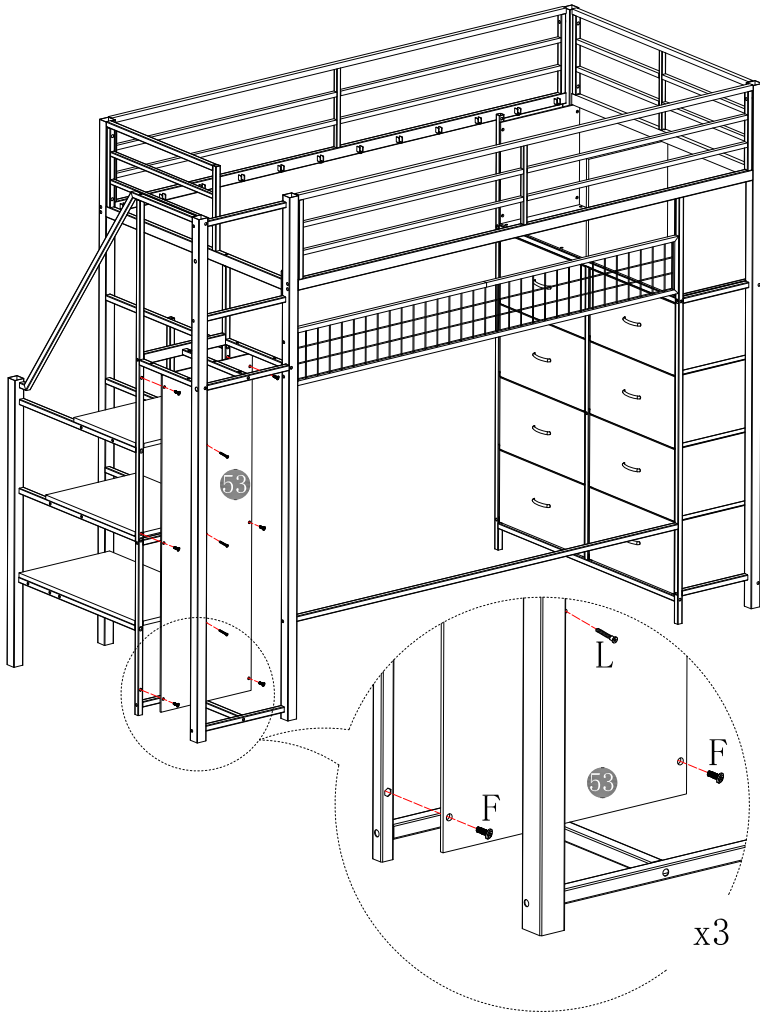
- H M6\*28 x18
- 0 S4 x1


x18

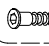



# Assembly Instruction


29



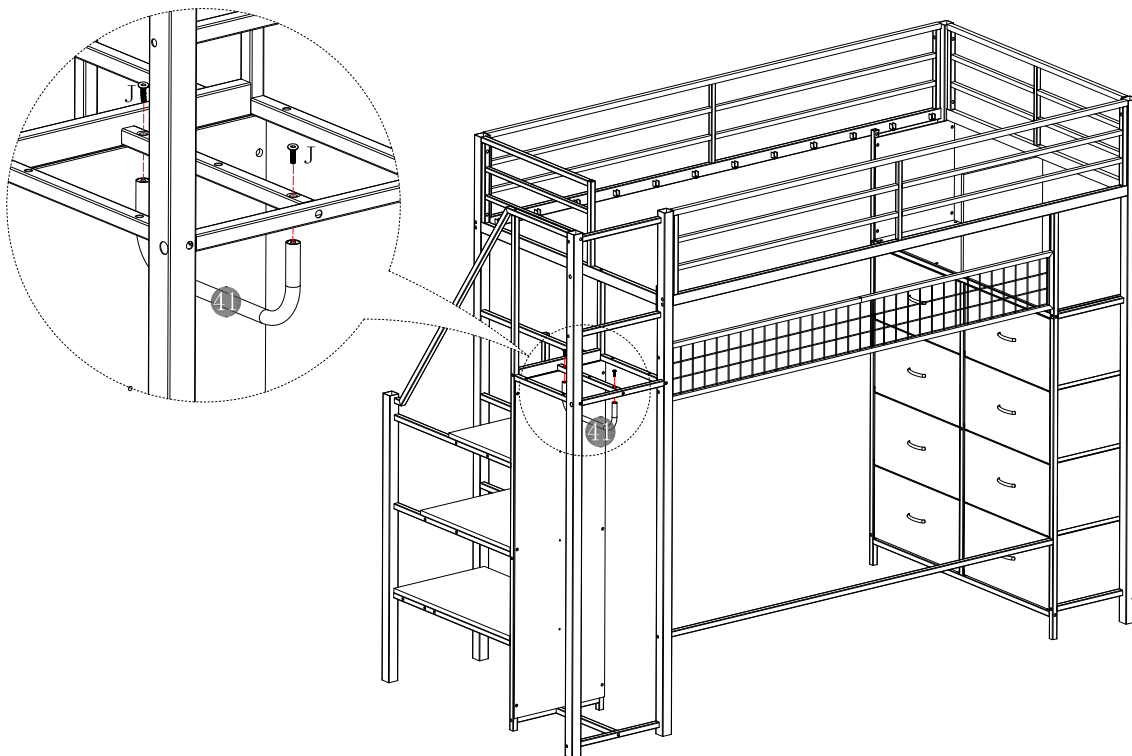
F M6\*15  
 x6


L  $\phi 5*35$   
 x3

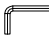
O S4  
 x1

N #3  
 x1

30



J M6\*30  
 x2

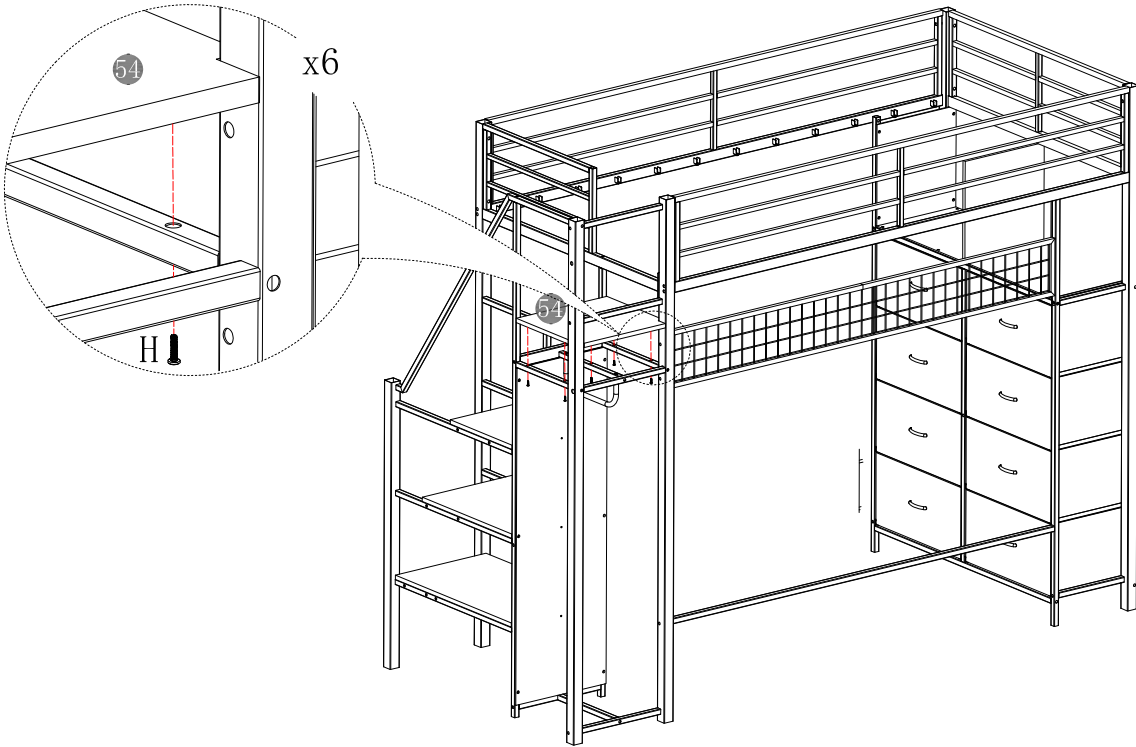
O S4  
 x1

# Assembly Instruction

31

H M6\*28  
x5

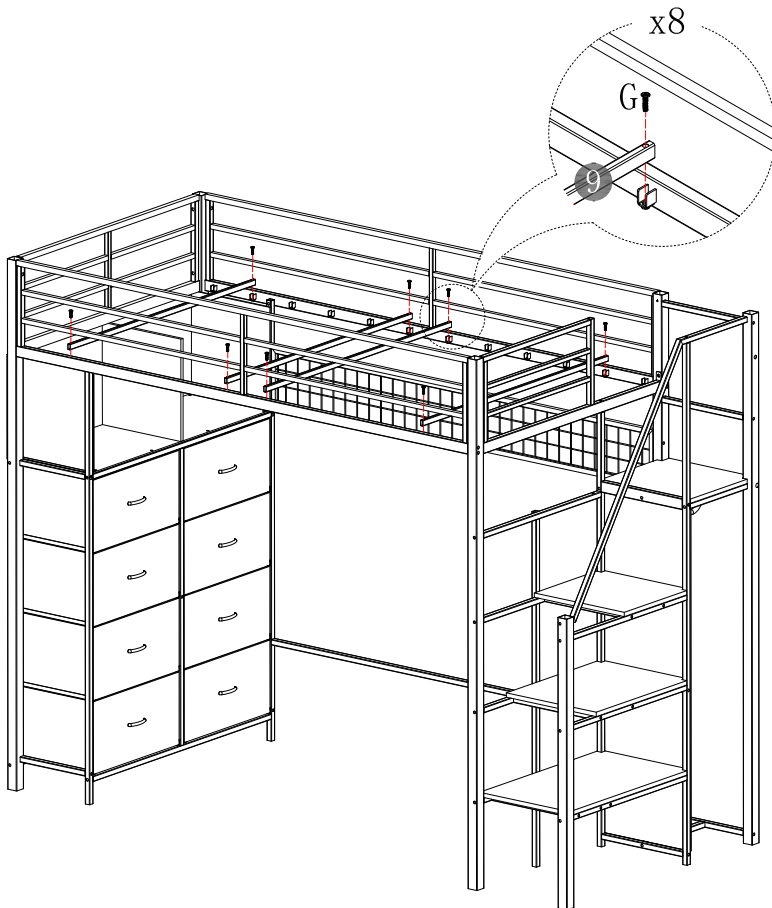
O S4  
x1



32

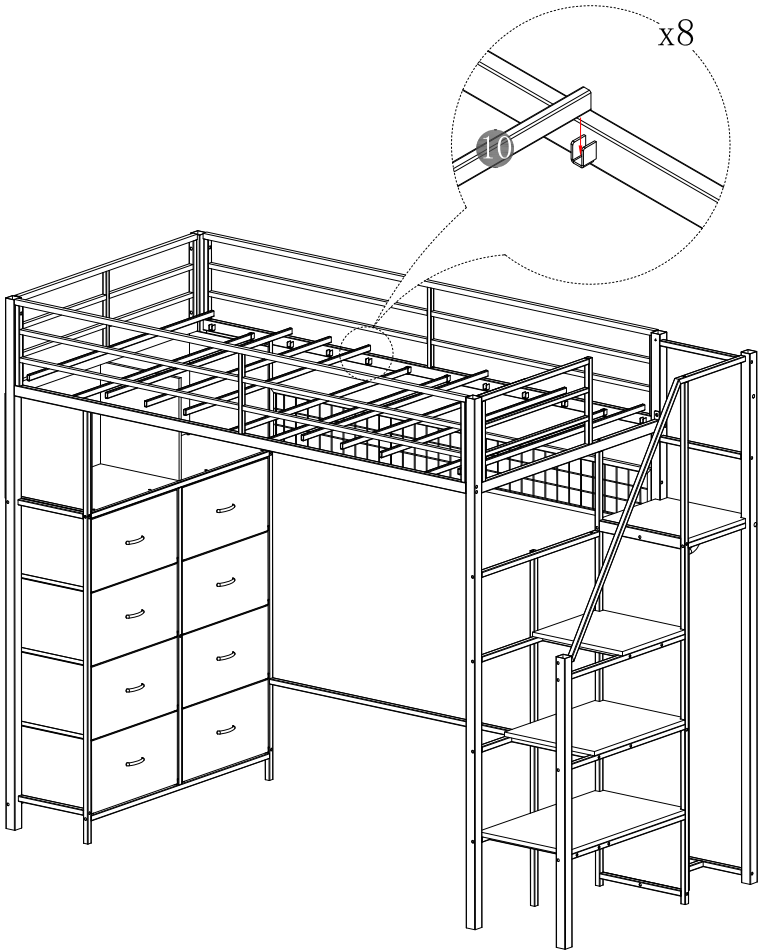
G M5\*25  
x8

O S4  
x1

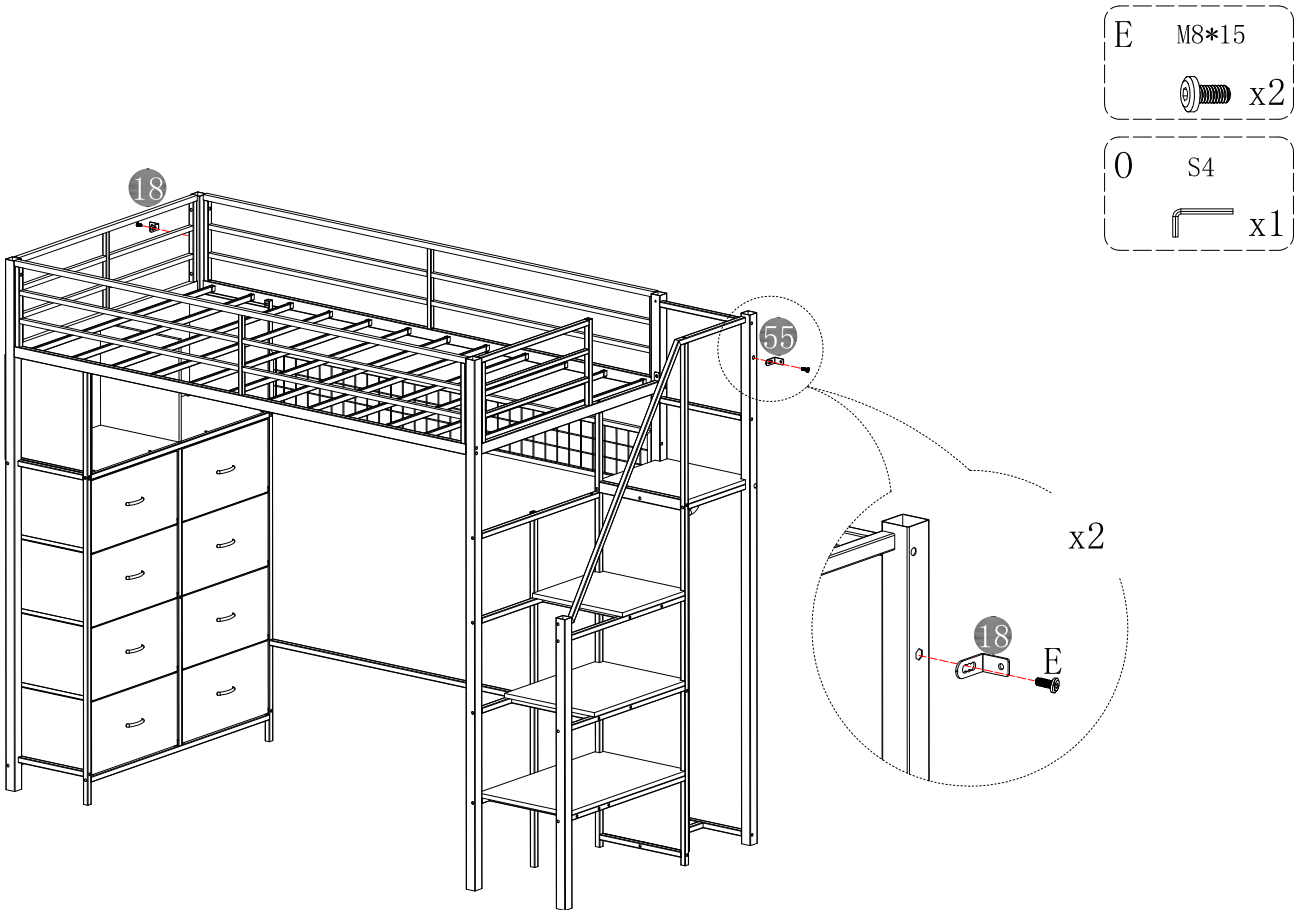


# Assembly Instruction

33

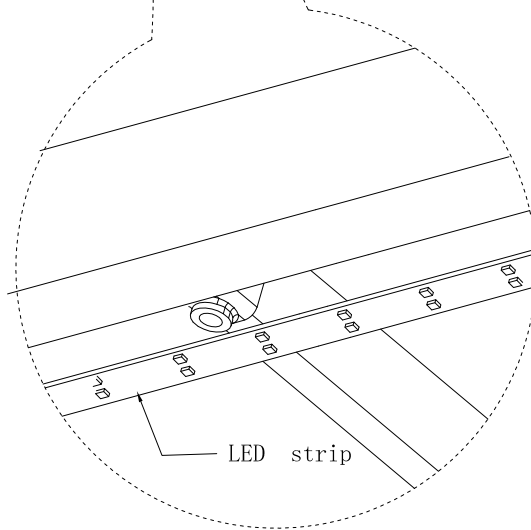
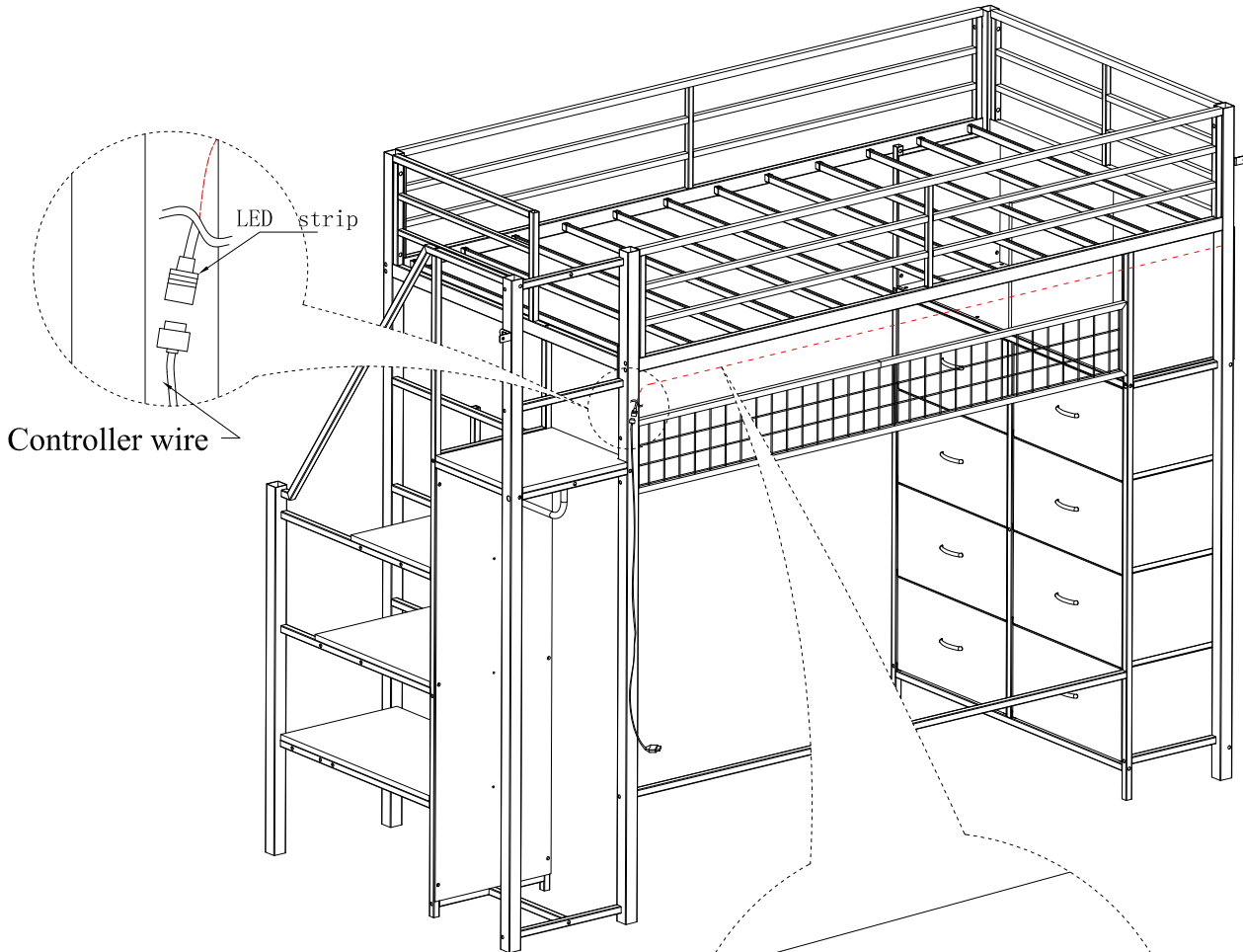
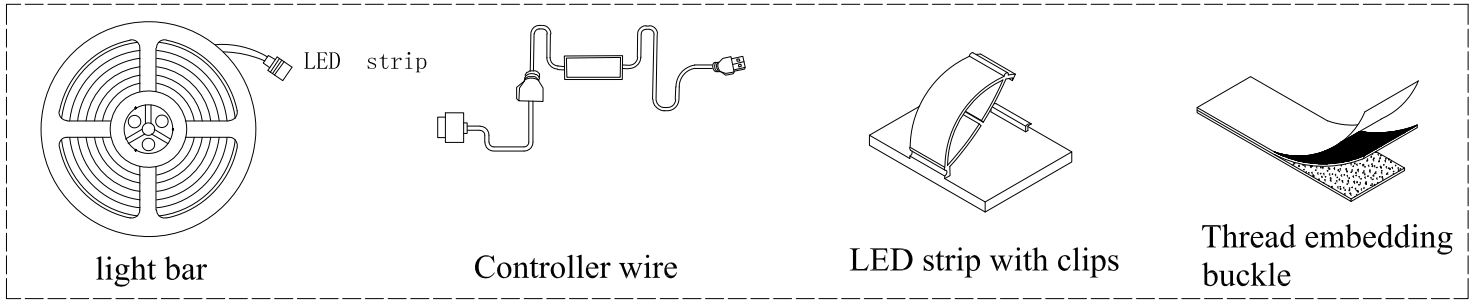


34

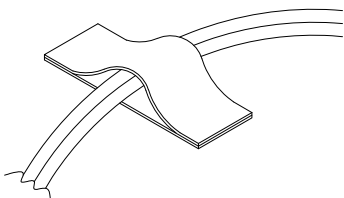


# Assembly Instruction

35



**When the wires are disordered, tear off the anti stick paper, paste it on the place where the wires pass, and then bind the wires.**



# Assembly Instruction

36

