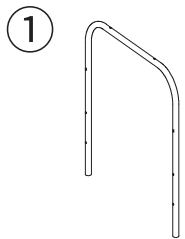
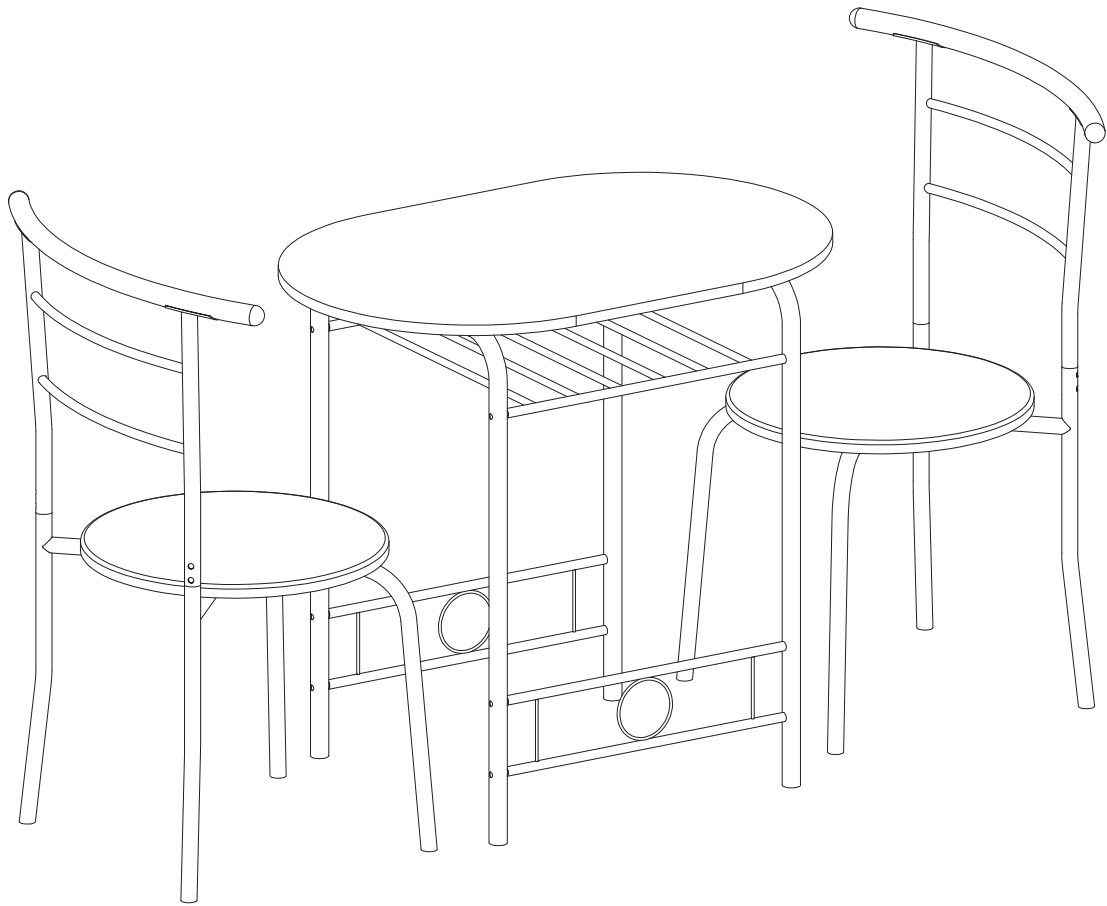
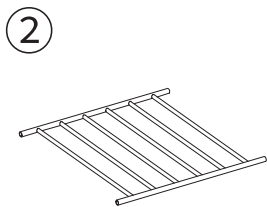


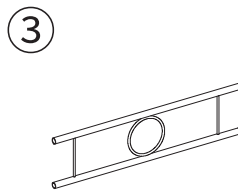
ASSEMBLY INSTRUCTION



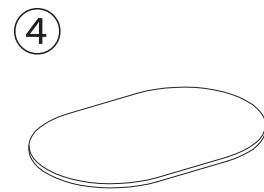
2 PCS



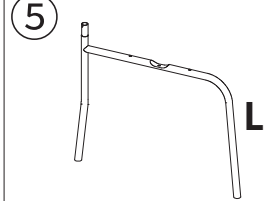
1 PC



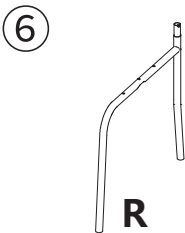
2 PCS



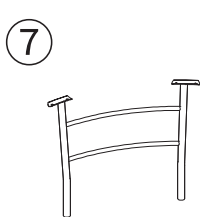
1 PC



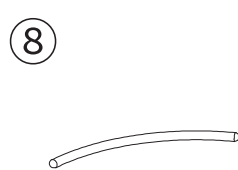
2 PCS



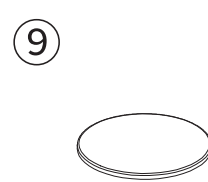
2 PCS



2 PCS



2 PCS



2 PCS

Ⓐ x 26



M6* 30mm

Ⓑ x 16



M6*12mm

Ⓒ x 8



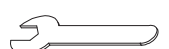
This gasket is used when
the back screw of the
chair is too long

Ⓓ x 2



M6

Ⓔ x 1



S10

Ⓕ x 1

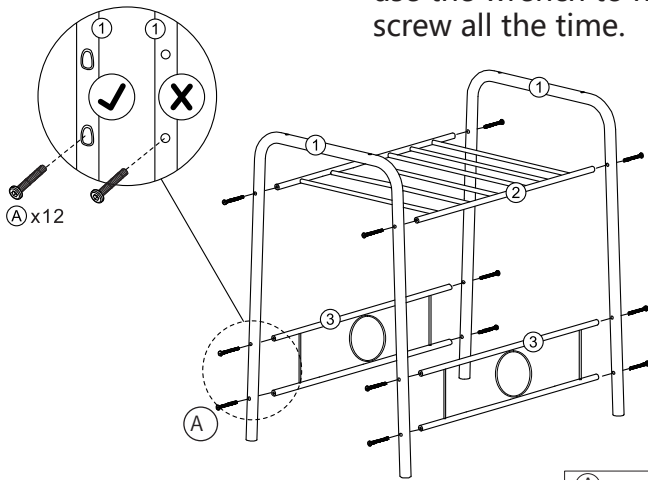



S4

ASSEMBLY INSTRUCTION

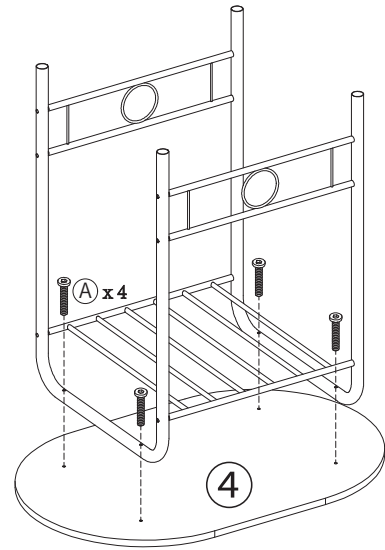
STEP 1


When assembling screw, use the wrench to hold screw all the time.



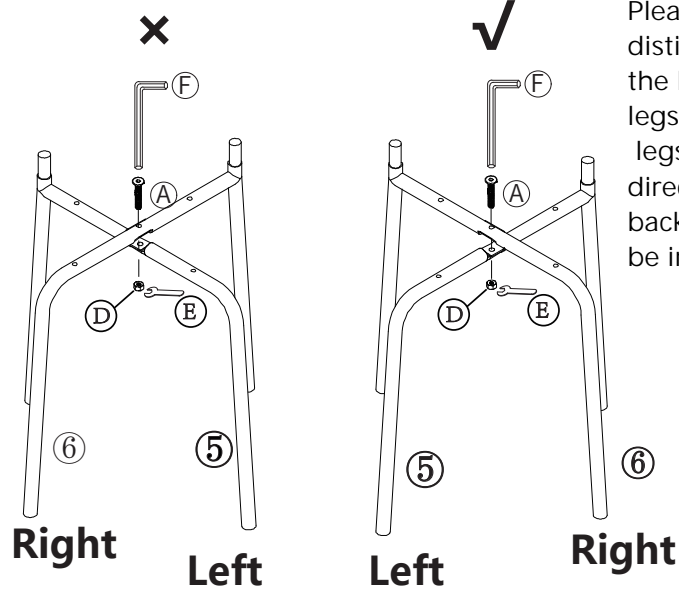
(A)	x 12
	
M6*30mm	

STEP 2





(A)	x 4
	
M6*30mm	

STEP 3

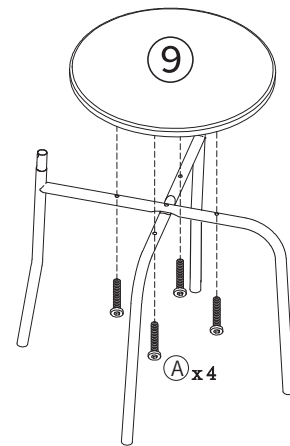


Please pay attention to distinguishing between the left and right chair legs. Installing the chair legs facing the wrong direction can cause the backrest screws to not be installed.


x 2

(A)	x 1
	
M6*30mm	
(D)	x 1
	
M6	

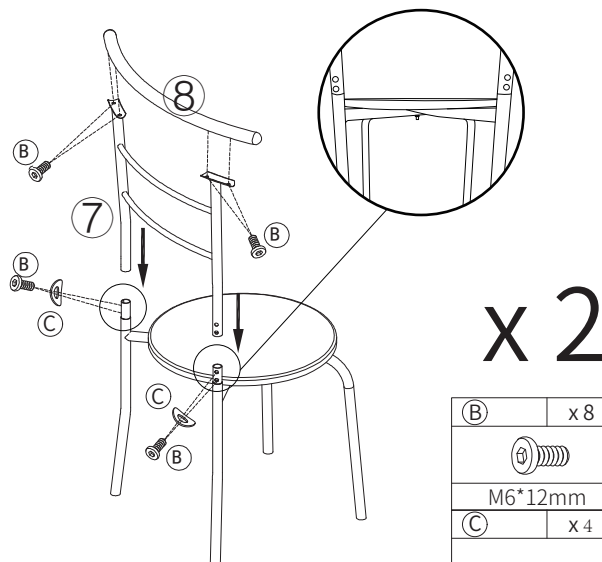
STEP 4





x 2

(A)	x 4
	
M6*30mm	

STEP 5



x 2

(B)	x 8
	
M6*12mm	
(C)	x 4
	

STEP 6

