

WARNINGS:

- The mattress base has 3 mattress base height positions. We recommended that the lowest position is used as this is the safest. You must use the lowest position if the child is able to sit up. The child has outgrown the cot when it is able to climb out.
- Make sure there are no unnecessary sticking out parts (fittings)- before using the cot. Do not use Cot bed if any part is broken torn or missing. Use only spare ore replacement parts approved by the manufacturer.
- In cots with a drawer, remove the cover of the drawer and shelf pins, before installing the mattress base at the lowest level.
- The maximum heigh of the mattress when the mattress base is in the raised position is indicated on the cot by a notch marked on the side of each corner post. When the matterss base is in its lowest position the distance between the top of the mattress and the top of the Cot side must not exceed 500mm.
- You use cm by cm mattress with Cot bed. The lenght and width of any mattress used shall be such that is too small and may suffocate.
- Do not place Cot bed near heat sources. Be aware of the risk of open fire and other sources of strong heat, such as electric bar fires, gas fires, etc. in the vicinity of the cot.
- Do not leave anything in the cot or place the cot to another product, which could provide a foothold or present a danger of suffocation or strangulation, e.g. strings, blind/curtain cords, etc.
- Do not place this child's bed near windows and other furniture.
- It is strongly recommended that children are supervised and discouraged from jumping or climbing on the Cot bed.
- Do not use more than one mattress in the cot. A child's head or torso may become trapped between the side of the cot and the mattress or they may become wedged between the mattress.
- Attention, it is strongly recommended to place the bed on a flat and firm surface.
- Keep young children away from the area you are using to assemble or dismantle the Cot bed. Some of the parts are heavy could fall on the child. Some of the fixings and plastic packaging are choking hazard to young children.

CLEANING & MAINTENANCE INSTRUCTIONS:

- Cot bed may be cleaned by wiping with a damp cloth and drying with a soft clean cloth.
- Do not use abrasives, bleach, alcohol or ammonia-based household polishes

Handing of the used product- Renewable material wood- the product can be utilized to recover energy or material for futher processing.







USER MANUAL COT BED WITH DRAWER AMELIA/CARMEN/WIKTORIA

IMPORTANT! - Read carefully and save to future reference


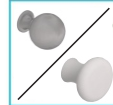



LIST OF FITTINGS:

									
Wrench 1 pcs.	Bolt M6x60 8 pcs.	Bolt M6x70 4 pcs.	Barrel nut 12 pcs.	Confirmat screw 5 pcs.	Cam lock bolt 5 pcs.	Cam lock 5 pcs.	Screws 3,5x16 4 pcs.	Screws 3x16 4 pcs.	Shelf pin 10 pcs.

LIST OF COTBED ELEMENTS:

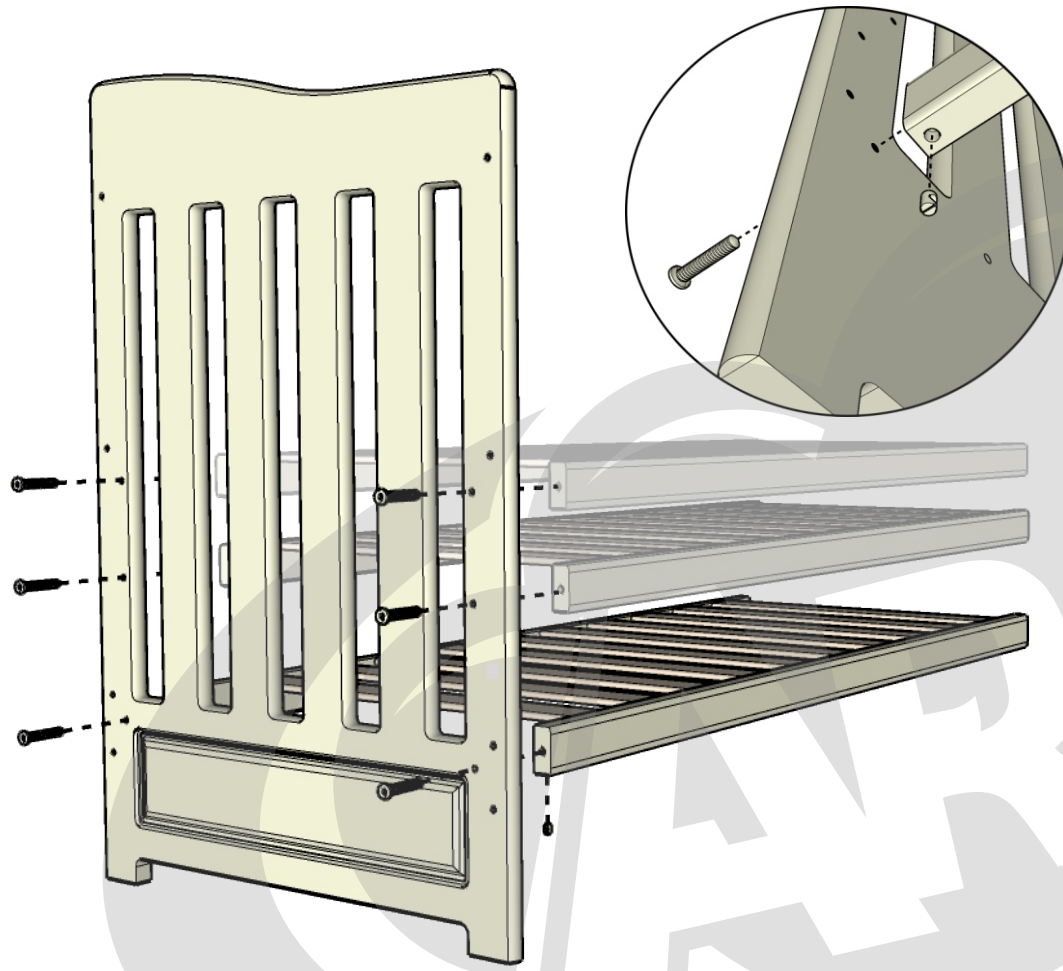
1. END PANEL - 2 pcs.
2. SIDE - 1 pcs.
3. SIDE WITH REMOVABLE RUNGS - 1 pcs.
4. MATTRESS BASE - 1 pcs.
5. ALTERNATIVE SAFETY BARRIER - 1 pcs.
6. HEADBOARD - 1 pcs.

		
Bolts for headboard 3 pcs.	Knobs 2 pcs.	Metal rails 1 set

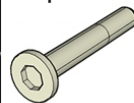
LIST OF DRAWER ELEMENTS:

7. BACK OF DRAWER - 1 pcs.
8. FRONT OF DRAWER - 1 pcs.
9. SIDE - 2 pcs.
10. BOTTOM OF DRAWER - 1 pcs.
11. DUST COVER - 1 pcs.

Bottom assembly



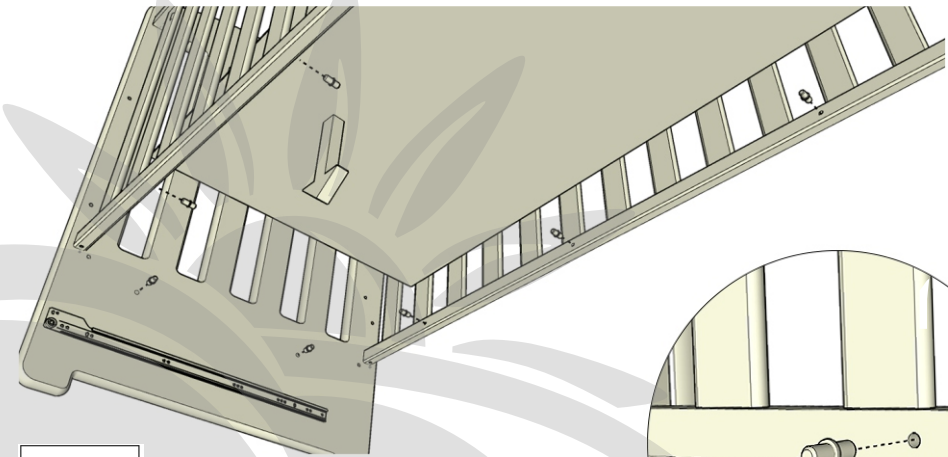
Bolt
M6x70
2 pcs.



Barrel
nut
2 pcs.



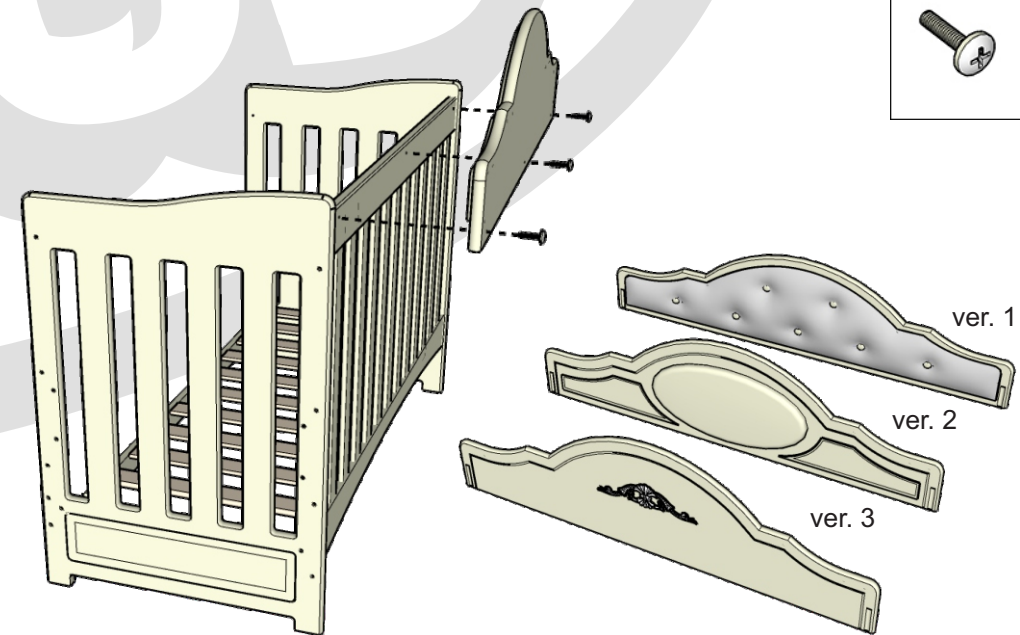
Dust cover assembly



Shelf pin
10 pcs.



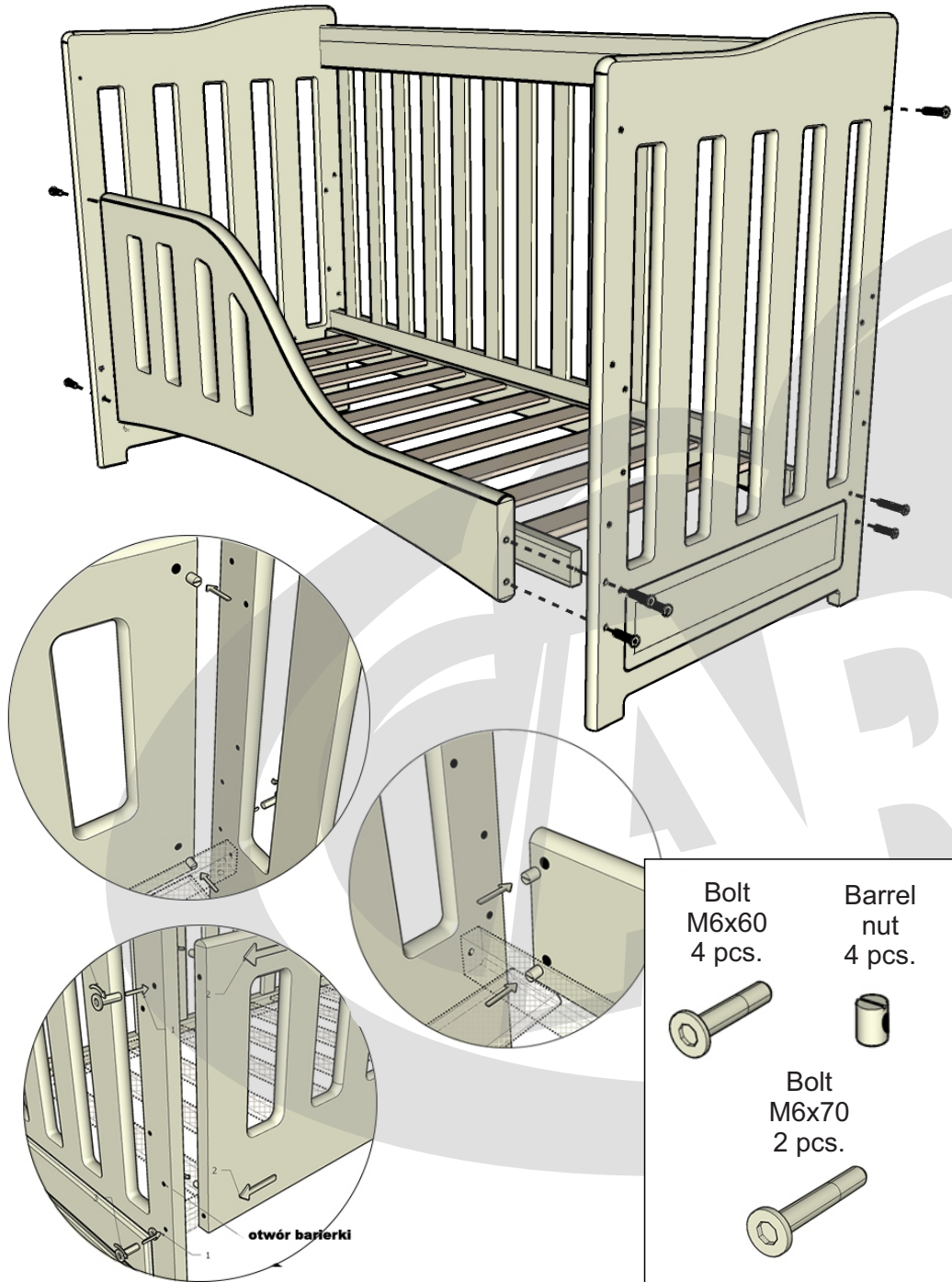
Headboard assembly



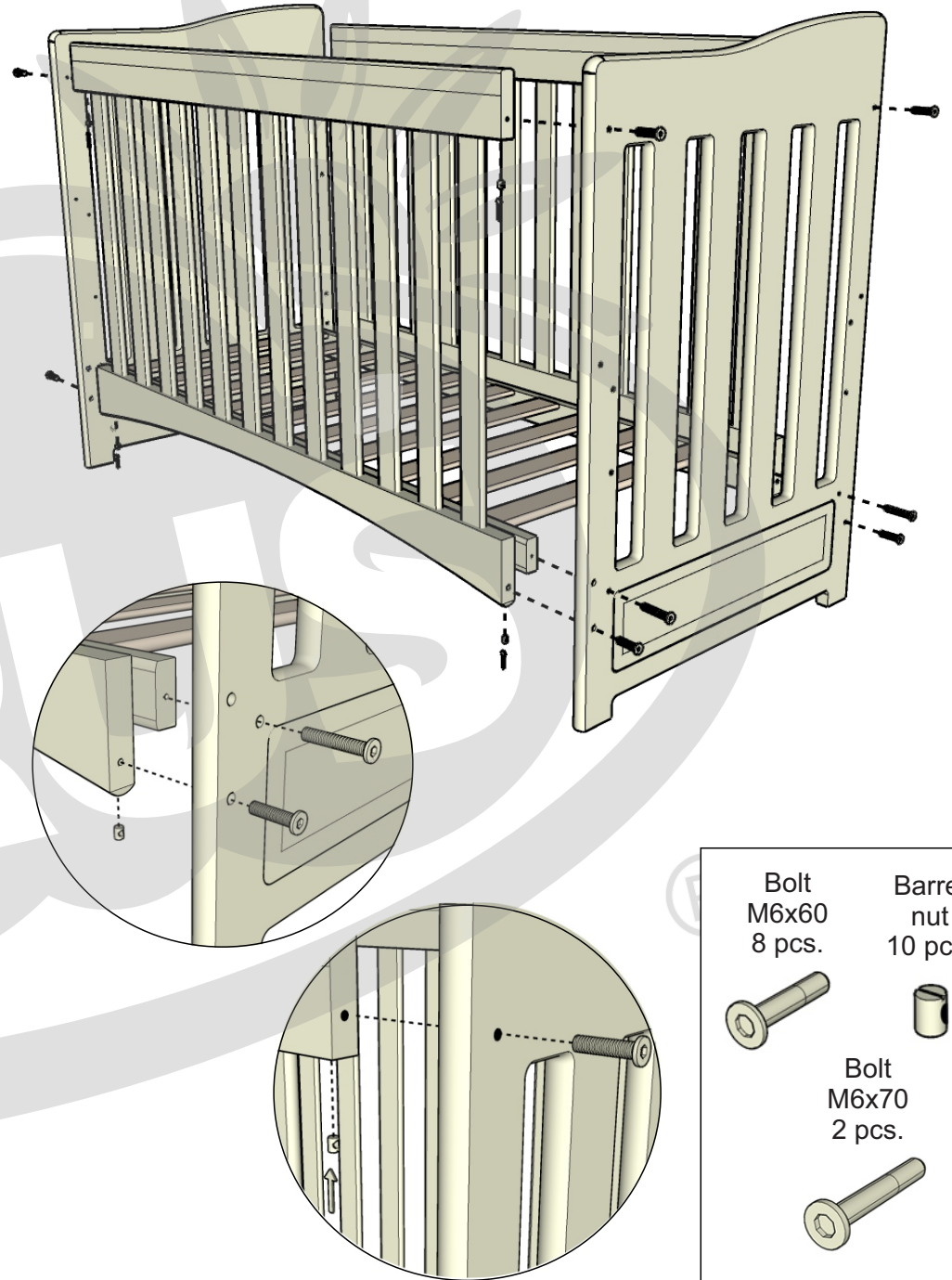
Bolts for
headboard
3 pcs.



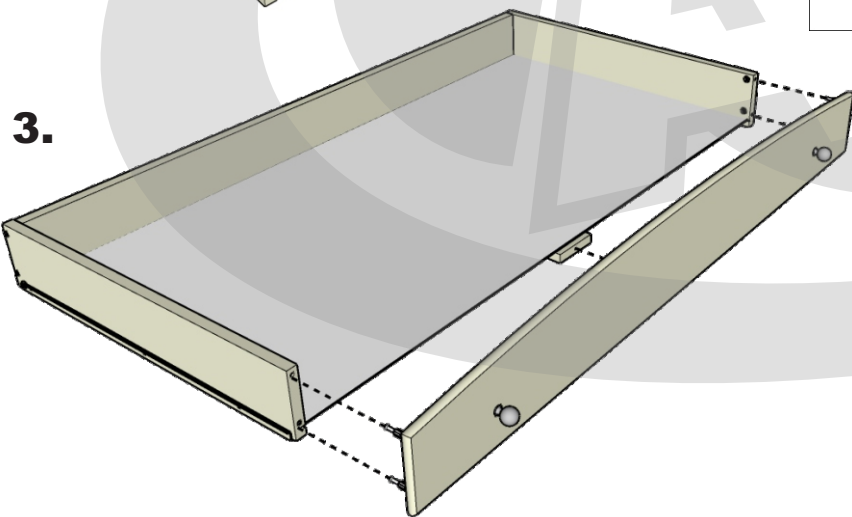
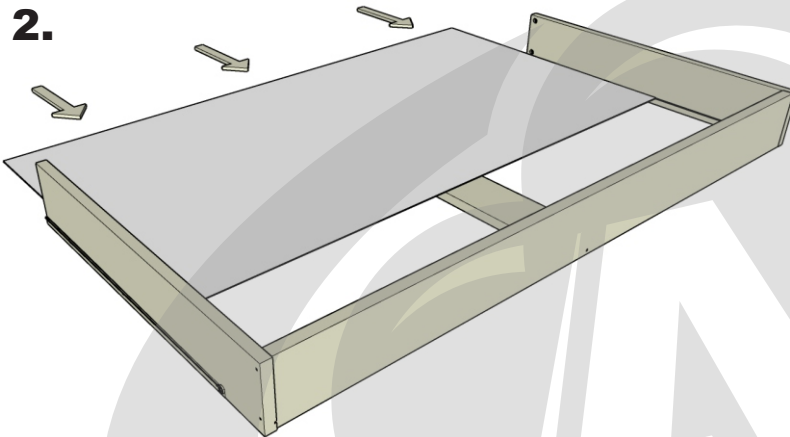
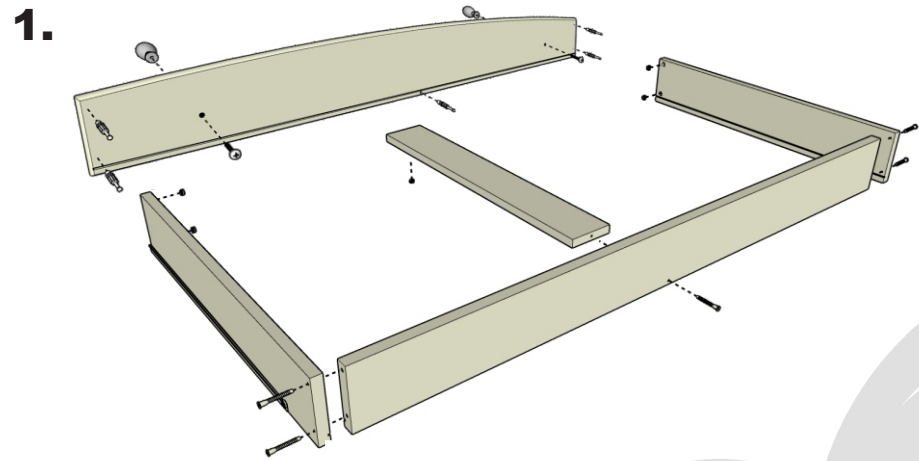
Barrier assembly



Long sides assembly

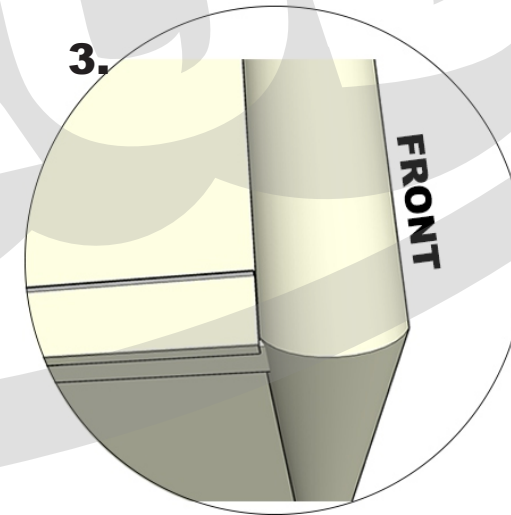
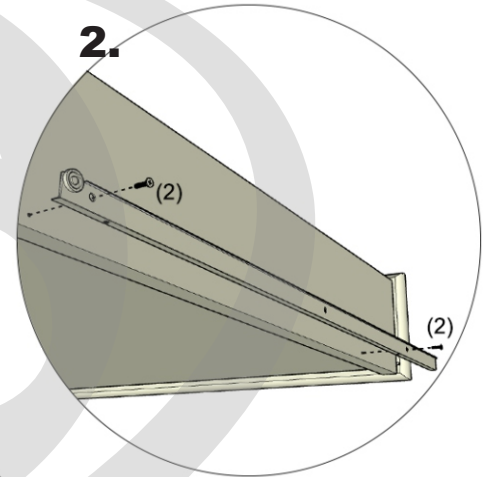
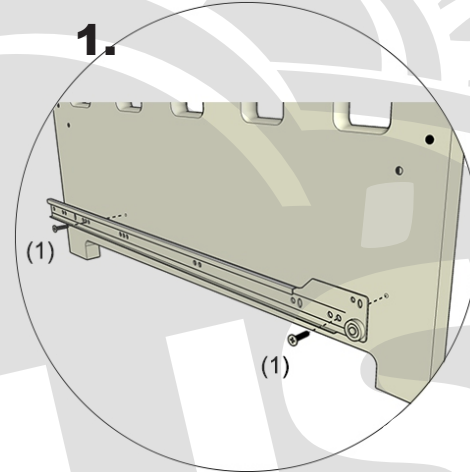
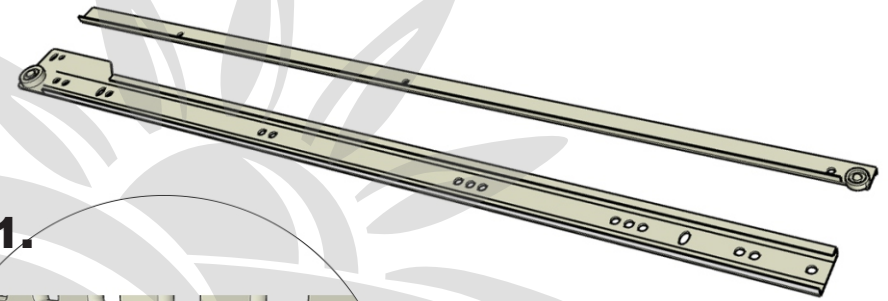


Drawer assembly



- Cam bolt 5 pcs.
- Confirmat screw 5 pcs.
- Cam lock bolt 5 pcs.
- Bolt for knobs 2 pcs.
- Knob 2 pcs.

Metal rails assembly



- Screw (1) 3,5x16 4 pcs.
- Screw (2) 3x16 4 pcs.