

ASSEMBLY INSTRUCTION

We believe you will absolutely love your new furniture. Please immediately examine this product carefully. Any request for missing part or damage replacement must be received within 90 days of your receipt of the product. For some reason you want to return the product, please contact us directly before you decide to return your product to the retailer. Our Customer Service team can answer most concerns and can assist you with any questions you may have about your new product.

Have these ready when you email:

- Item Number
- PO #
- Purchaser Name
- Proof of Purchase
- Description of the problem and/or the Part Number needed

Replacements for missing or damaged parts or hardware are normally shipped within 3 to 5 business days and we thank you for your patient.

The item must be returned in good condition, in original box, with all original proof of purchase, parts and accessories, within the time frame specified by the retailer it was purchased from.

90-Day Limited Warranty Statement for Manufacturing Defects

Please read this Limited Warranty carefully. To maintain your Warranty, you will need to comply with the conditions stated here.

This warranty is for manufacturing defects only and does not cover damages as a result of misuse.

1. Our products sold comply with the description contained in this Warranty. All parts and products are warranted 90-Day from the original date of delivery except: parts and products used for commercial, contract, rental trade, institutional, or any other non-residential purposes; parts and products that have not been maintained in accordance with the care recommendations provided; parts and products damaged resulting from the consumer's improper assembly; or parts and products that are damaged or defective due to normal wear and tear.

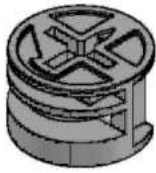








2. To exercise rights under this warranty, proper documentation, i.e., photography, purchase order number, manufacturer's bar code label, and or any other pertinent information upon request is required. We reserve the right to repair or replace the product within the warranty period based upon the documentation received as support of a claim for consideration. We will not replace or repair any product if improper maintenance, improper handling, or improper use caused the damage. Any product sold from or modified by a Non-Authorized Dealer, Seller or Consumer will void the Warranty.

3. Cost of packaging and shipping to and from us is not covered by the warranty unless expressly arranged by us. This warranty does not extend to furniture that has been exchanged or replaced by us as settlement of an original claim of defective merchandise. This warranty does not extend to furniture that has been moved from delivery location on original purchase order.

We appreciate your business!

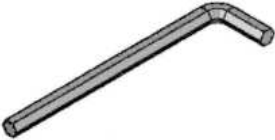


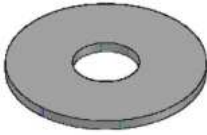

ASSEMBLY INSTRUCTION

HARDWARES LIST

ITEM	DESCRIPTION	DRAWING	QTY
A	MINIFIX CAM LOCK		52 PCS
B	MINIFIX CAM BOLT		52 PCS
C	WOOD DOWEL (M8 x 25MM)		28 PCS
D	WOOD DOWEL (M6 x 25MM)		48 PCS
E	TRUSS M-SCREW (16MM)		12 PCS
F	HANDLE		12 PCS
G	6/8" NAIL		26 PCS
H	PLASTIC STRIP (H SHAPE)		1 PC
I	JCBC M6 x 40MM		16 PCS




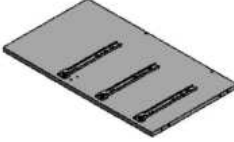
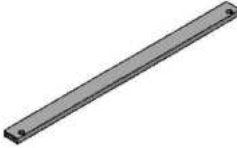
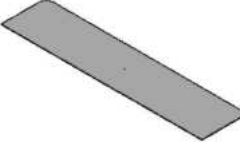
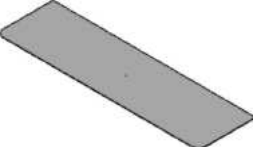
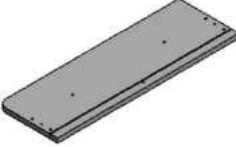
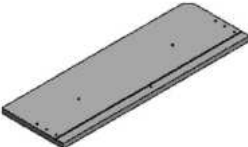
ASSEMBLY INSTRUCTION

HARDWARES LIST

ITEM	DESCRIPTION	DRAWING	QTY
J	M4 ALLEN KEY (65MM)		1 PC
K	JCBC M6 x 60MM		4 PCS
L	SPRING WASHER (M6 x 13MM)		20 PCS
M	FLAT WASHER (M6 x 19MM)		20 PCS
N	TIPPING RESTRAINT		1 PC


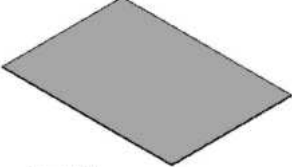
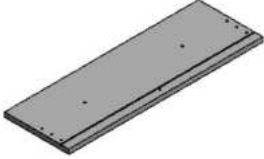
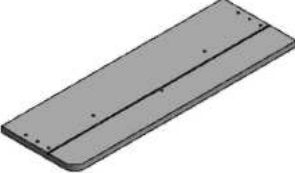
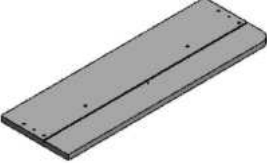

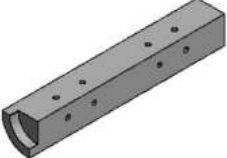


ASSEMBLY INSTRUCTION

PARTS LIST

ITEM	DESCRIPTION	DRAWING	QTY
D1	TOP PANEL		1 PC
D2	LEFT PANEL		1 PC
D3	RIGHT PANEL		1 PC
D4	CENTER PANEL		1 PC
D5	SUPPORT RAIL		2 PCS
D6A	TOP BACK PANEL		1 PC
D6B	BOTTOM BACK PANEL		1 PC
D7	TOP DRAWER HEAD (R)		1 PC
D8	TOP DRAWER HEAD (L)		1 PC

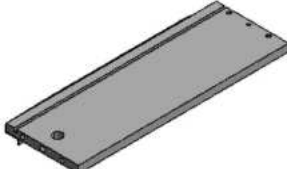
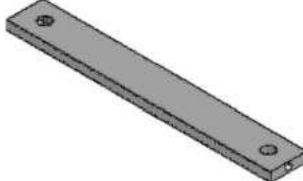

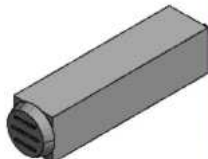
ASSEMBLY INSTRUCTION

PARTS LIST

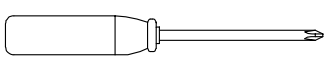
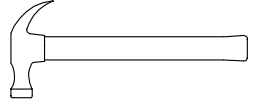
ITEM	DESCRIPTION	DRAWING	QTY
D9	DRAWER BACK PANEL		6 PCS
D10	DRAWER BOTTOM PANEL		6 PCS
D11	MIDDLE DRAWER HEAD		2 PCS
D12	BOTTOM DRAWER HEAD (R)		1 PC
D13	BOTTOM DRAWER HEAD (L)		1 PC
D14	TIPPING PANEL		2 PCS
D15	CORNER RAIL		4 PCS
D16	BOTTOM PANEL		1 PC
19	DRAWER LEFT PANEL		6 PCS

ASSEMBLY INSTRUCTION

PARTS LIST

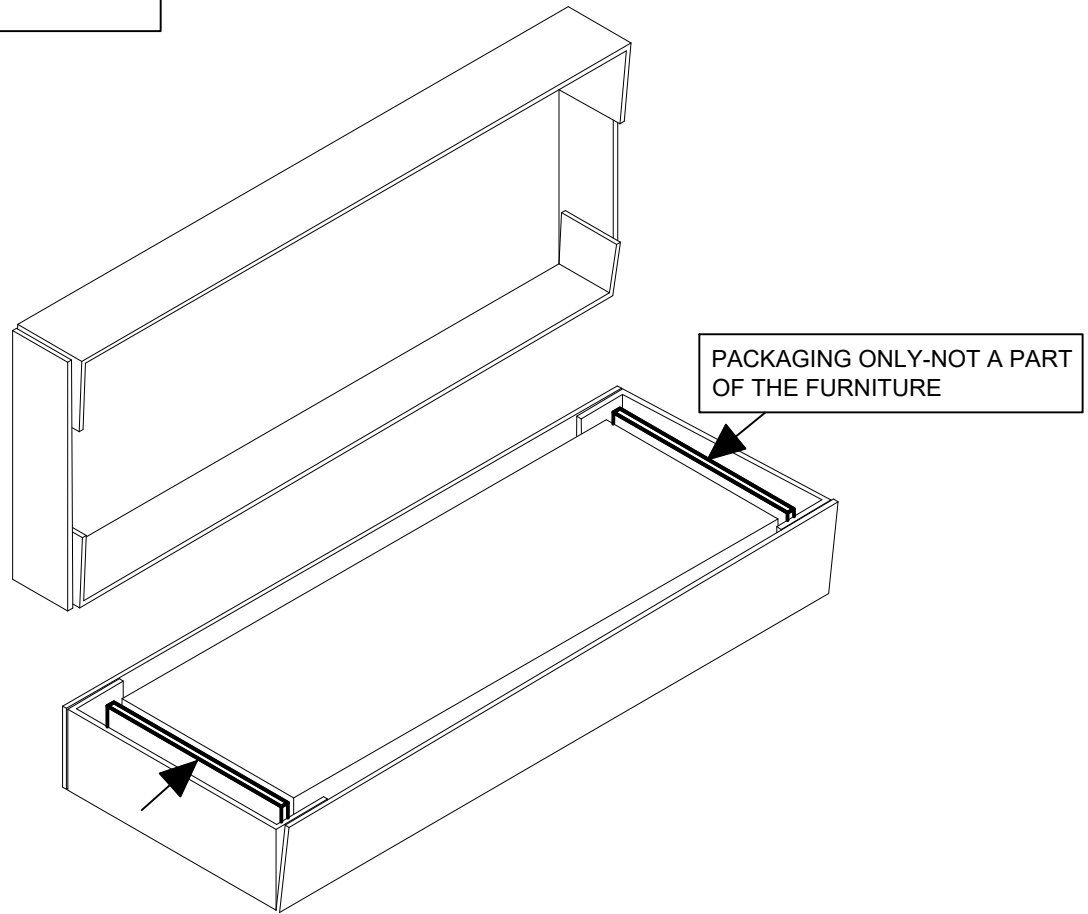
ITEM	DESCRIPTION	DRAWING	QTY
20	DRAWER RIGHT PANEL		6 PCS
21	DRAWER BOTTOM SUPPORT RAIL		6 PCS
22	LEG		4 PCS
23	SUPPORT LEG		1 PC

*Note: All parts needed are shown in above picture.
Numbers only indicate the specific parts for easy assembly.

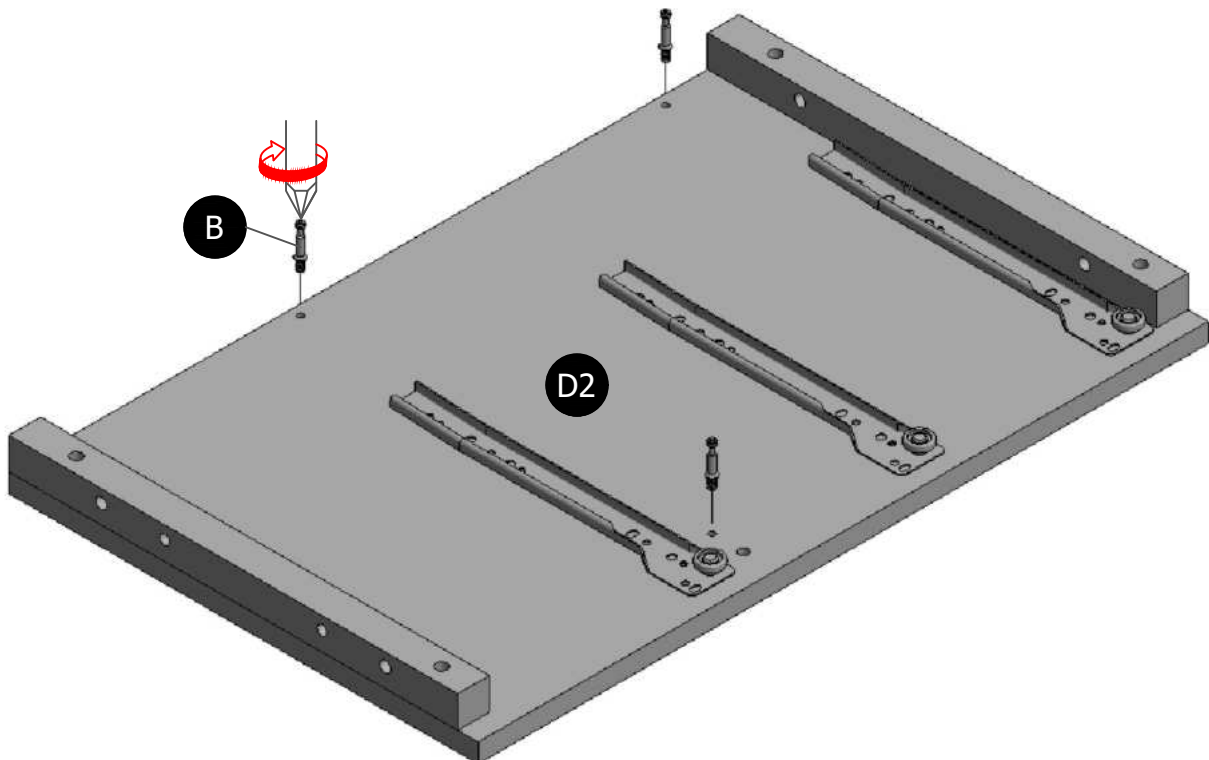
ASSEMBLY TOOLS REQUIRED	
<p>1. Screwdriver (not provide)</p> <div style="text-align: center;"></div>	<p>2. Hammer (not provide)</p> <div style="text-align: center;"></div>

ASSEMBLY INSTRUCTION

NOTE : - The outer board is for protection of packaging only, not part of furniture. Please throw it before assembly.

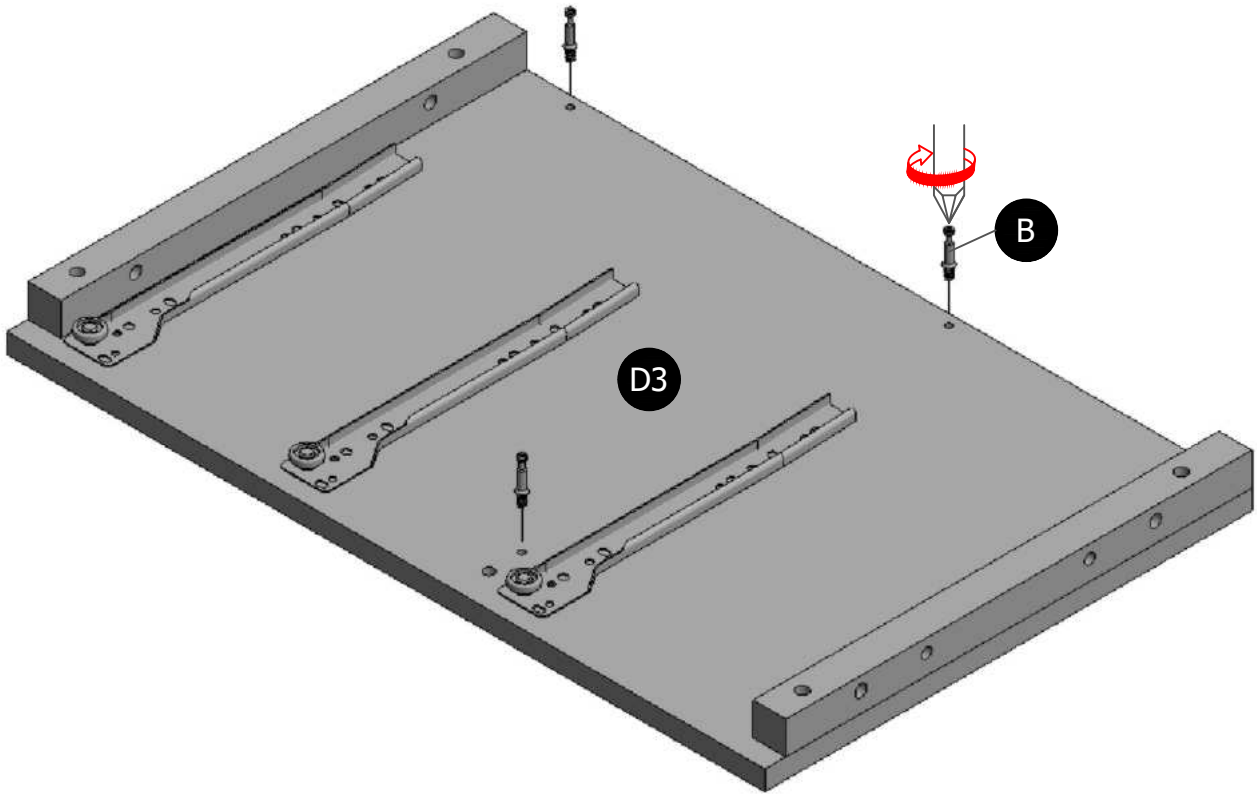


STEP 1



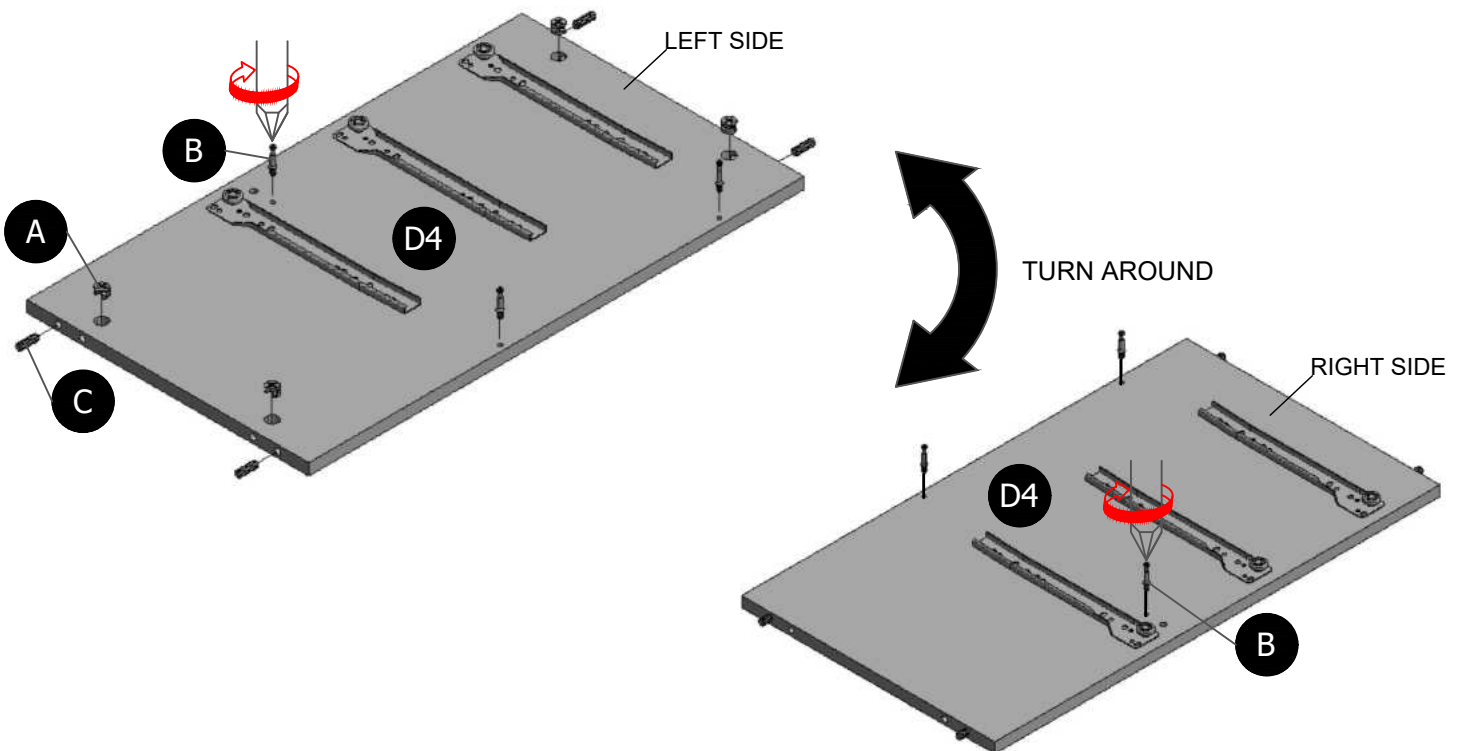
ASSEMBLY INSTRUCTION

STEP 2



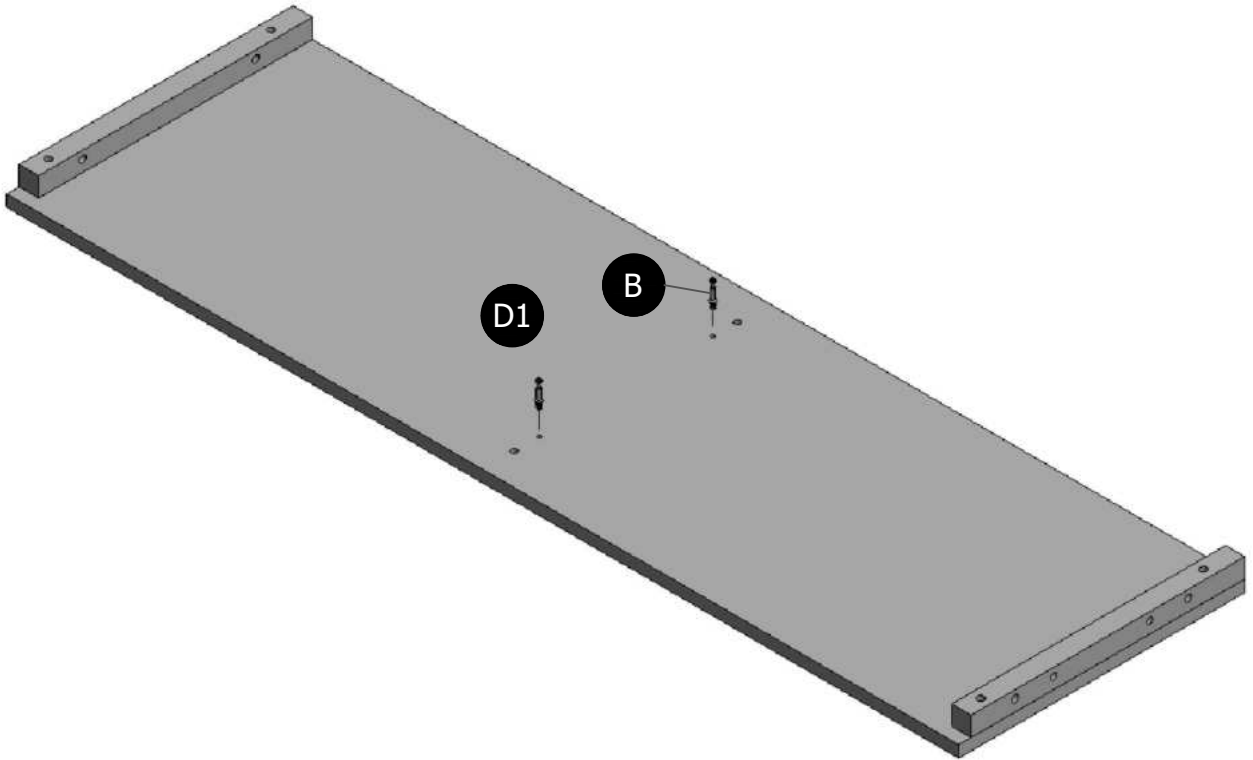
STEP 3

NOTE : - Make sure arrows on each (A) point towards nearest edge with hole.



ASSEMBLY INSTRUCTION

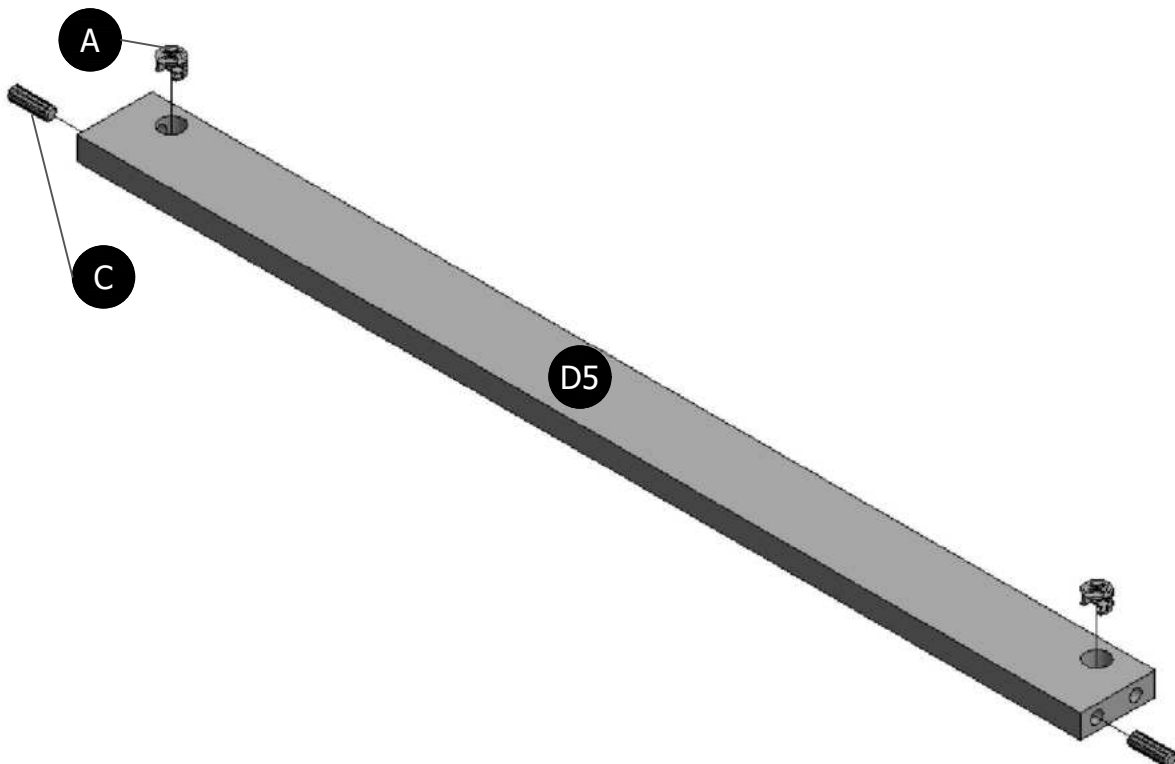
STEP 4



STEP 5

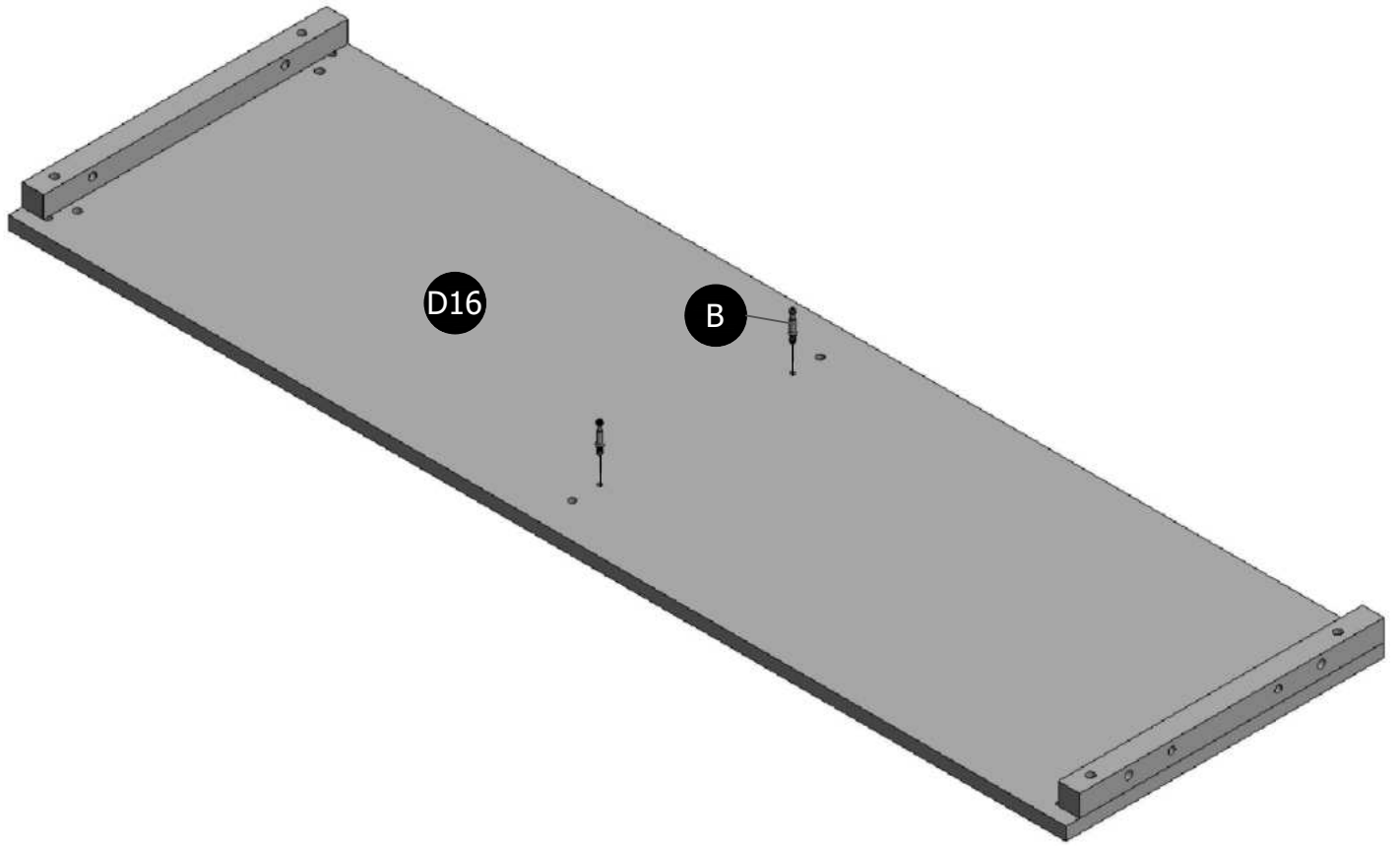
NOTE : - Make sure arrows on each (A) point towards nearest edge with hole.

x 2



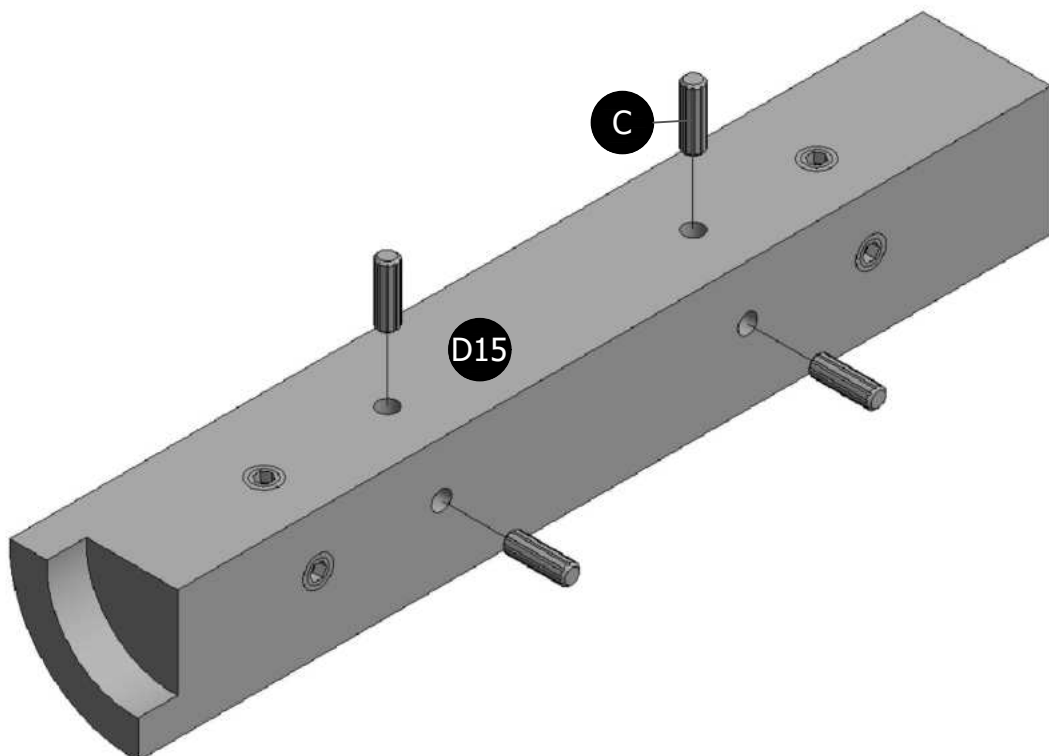
ASSEMBLY INSTRUCTION

STEP 6



STEP 7

x 4

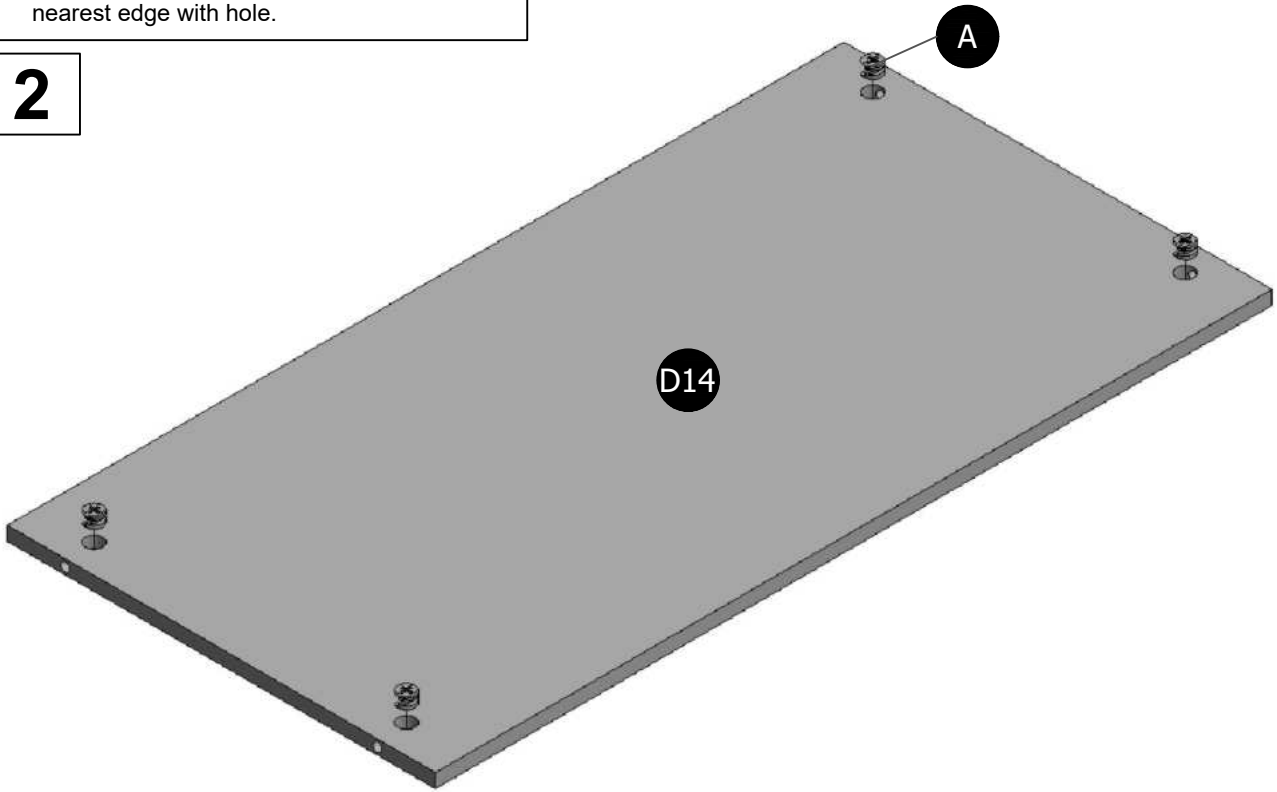


ASSEMBLY INSTRUCTION

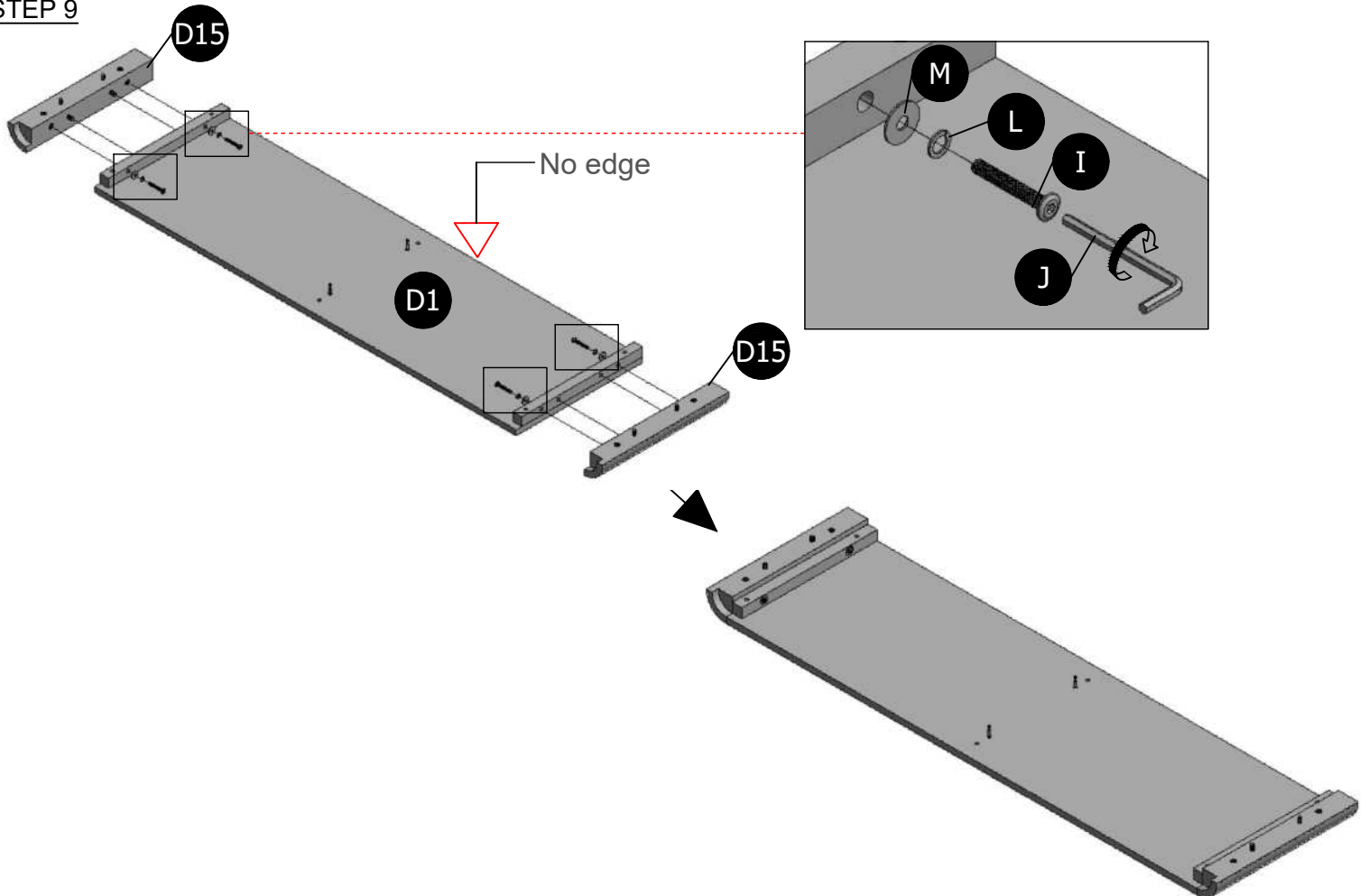
STEP 8

NOTE : - Make sure arrows on each (A) point towards nearest edge with hole.

x 2

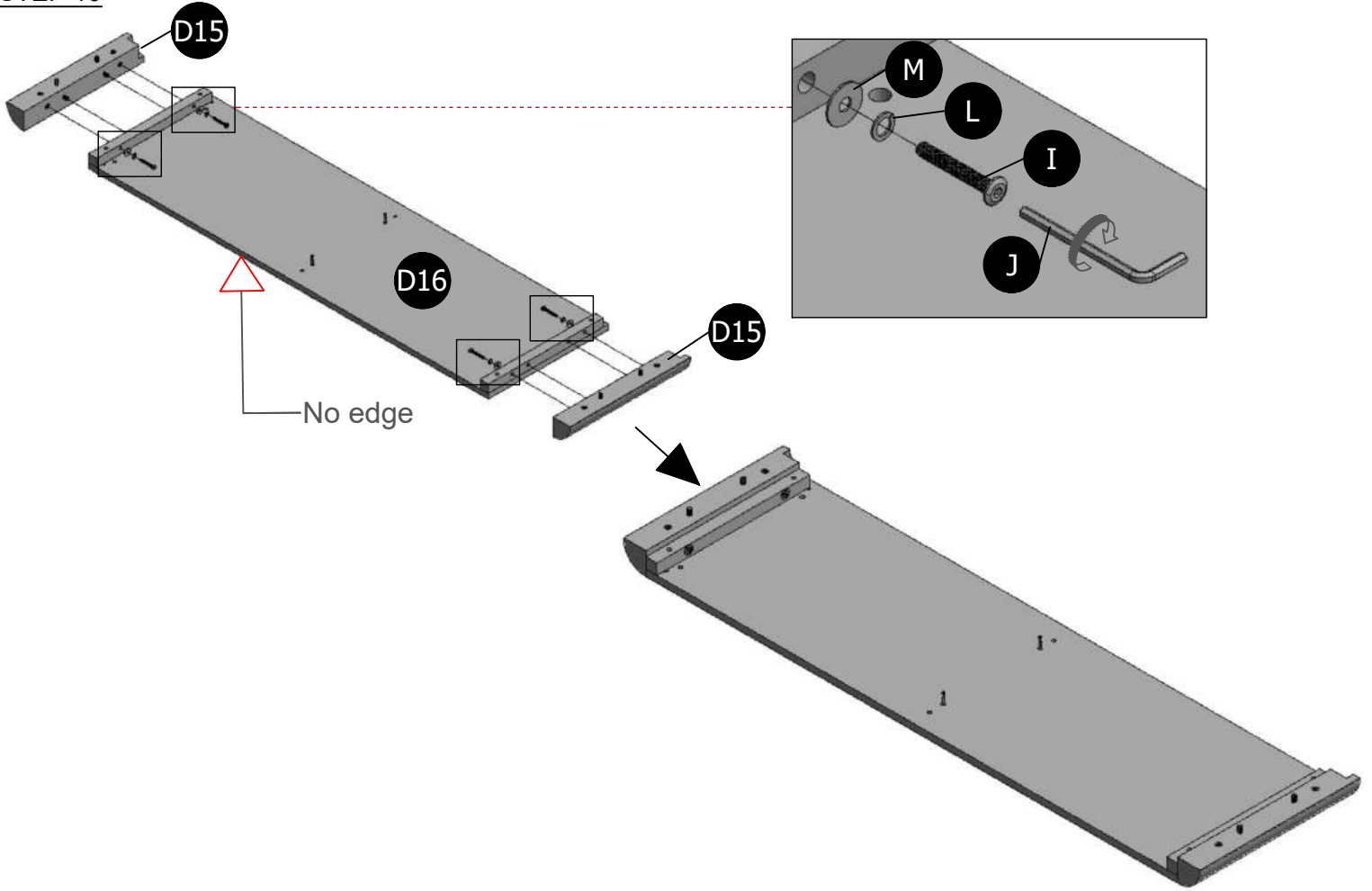


STEP 9

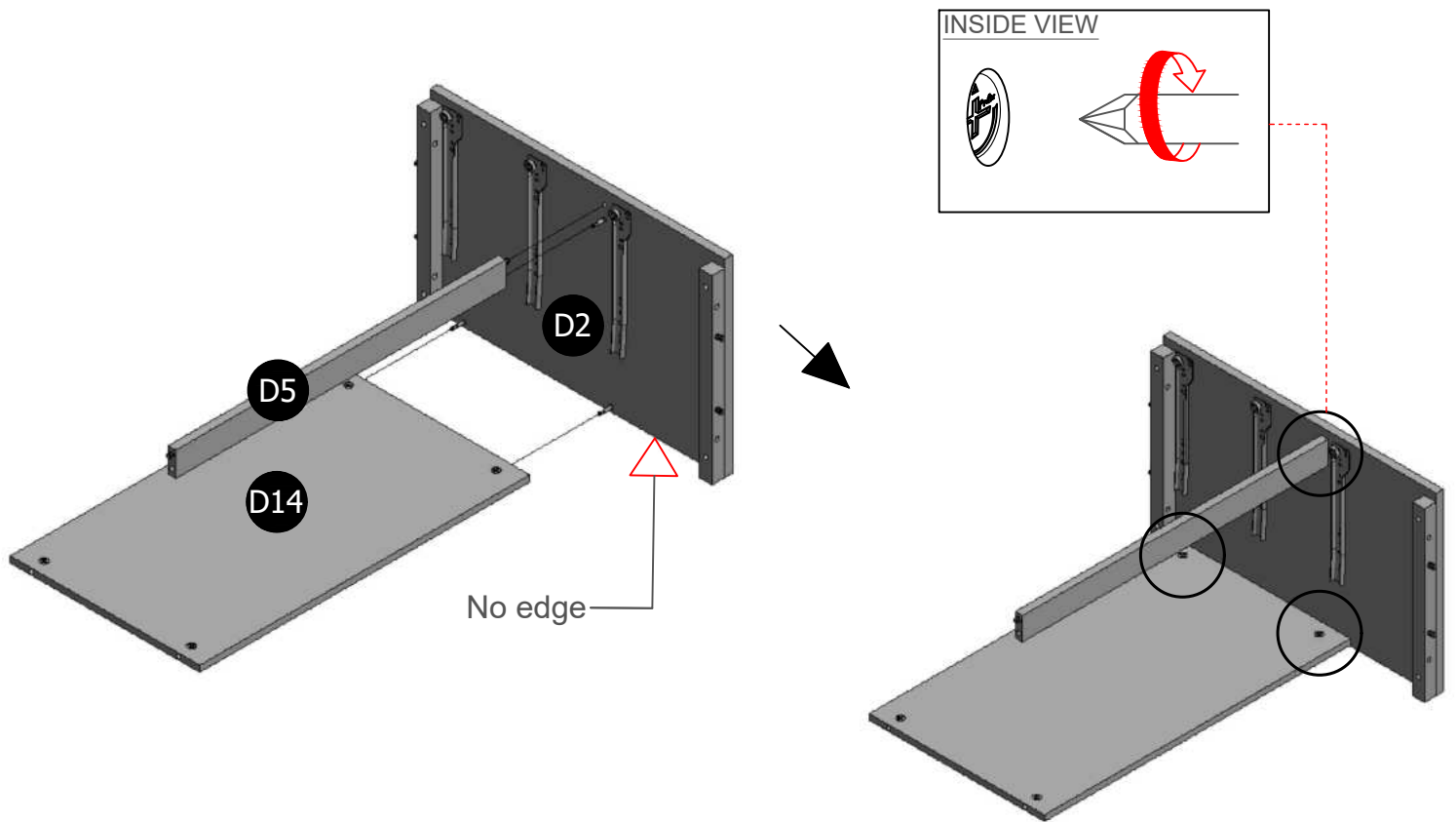


ASSEMBLY INSTRUCTION

STEP 10

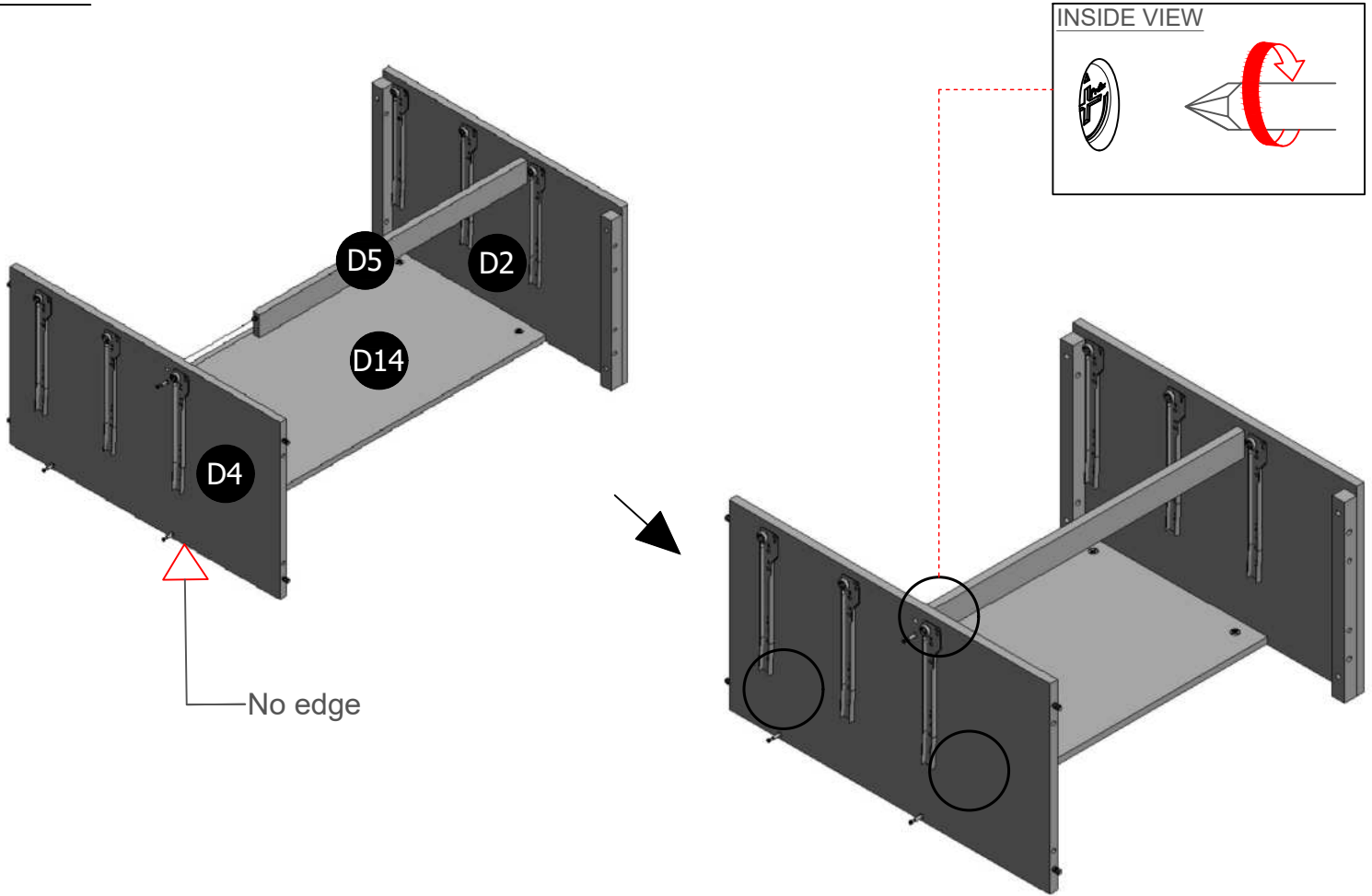


STEP 11

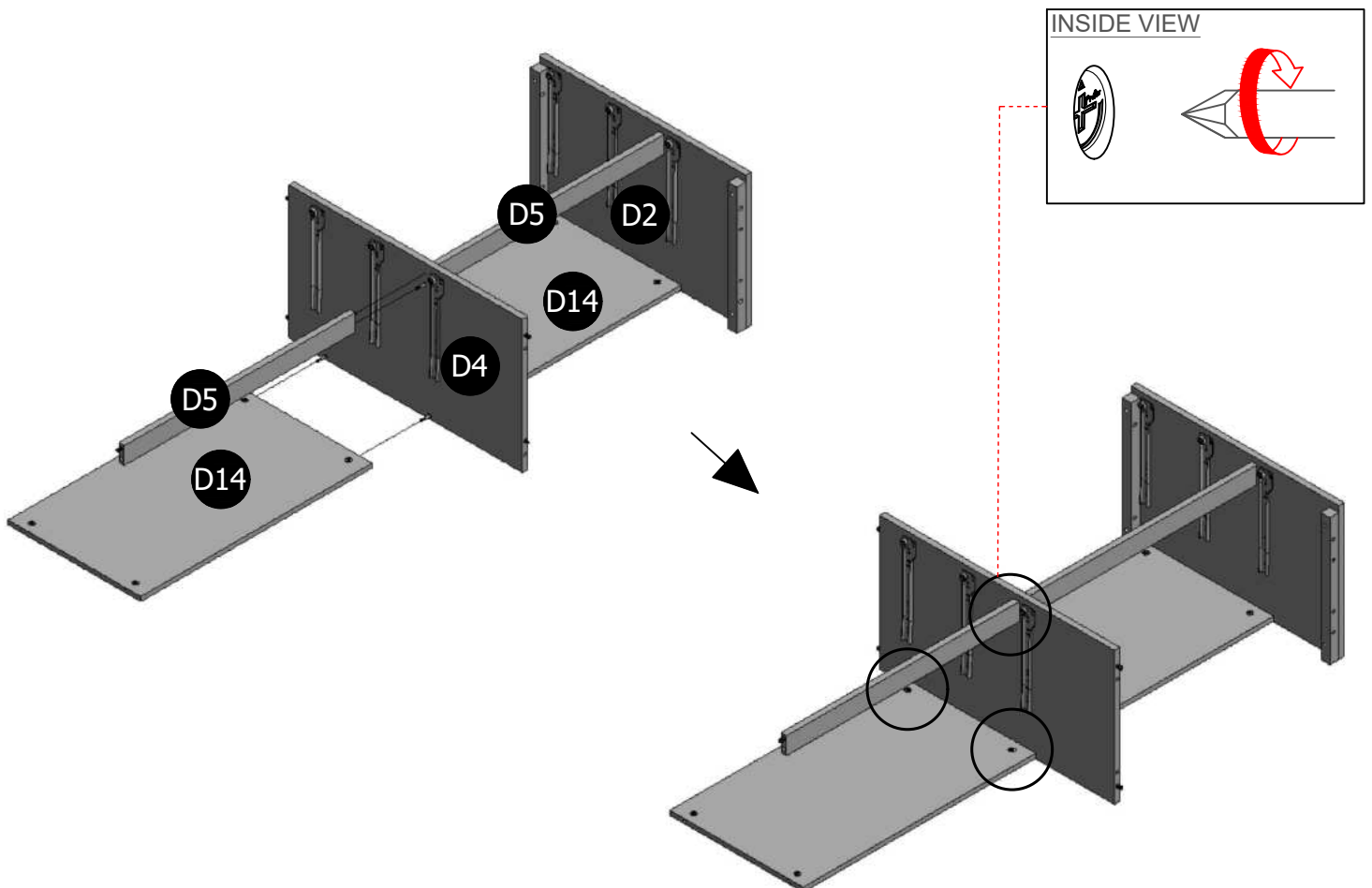


ASSEMBLY INSTRUCTION

STEP 12

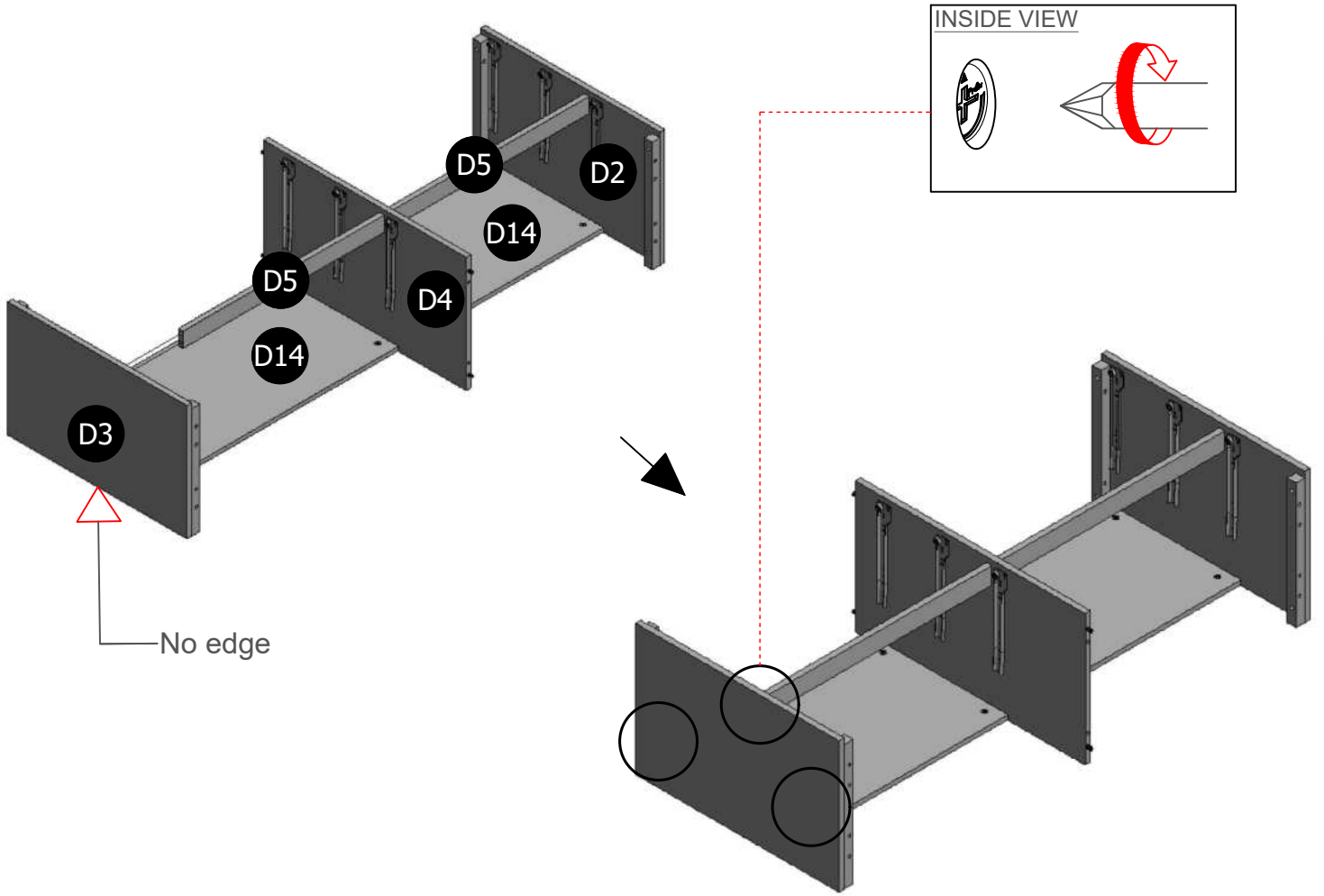


STEP 13

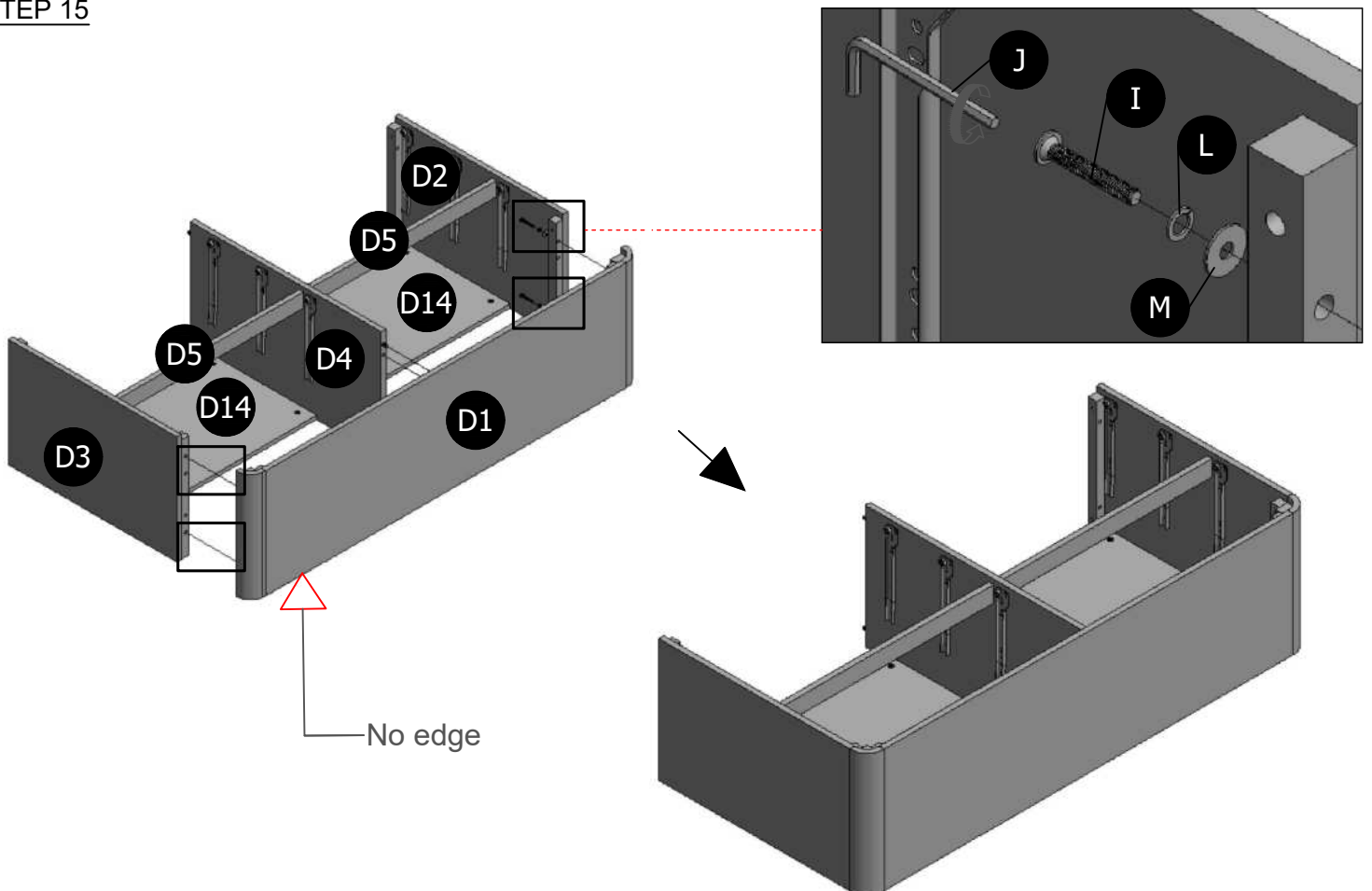


ASSEMBLY INSTRUCTION

STEP 14

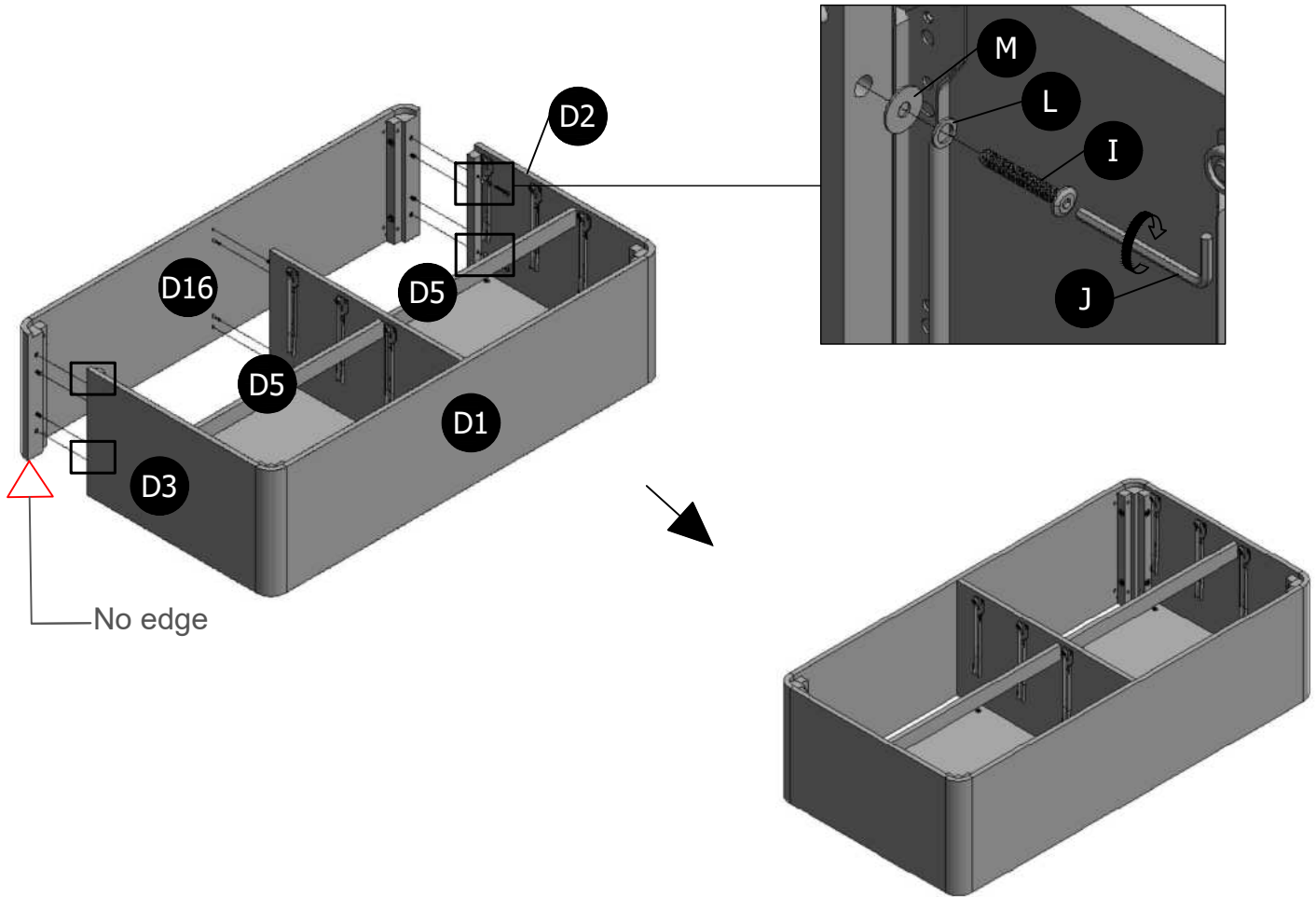


STEP 15

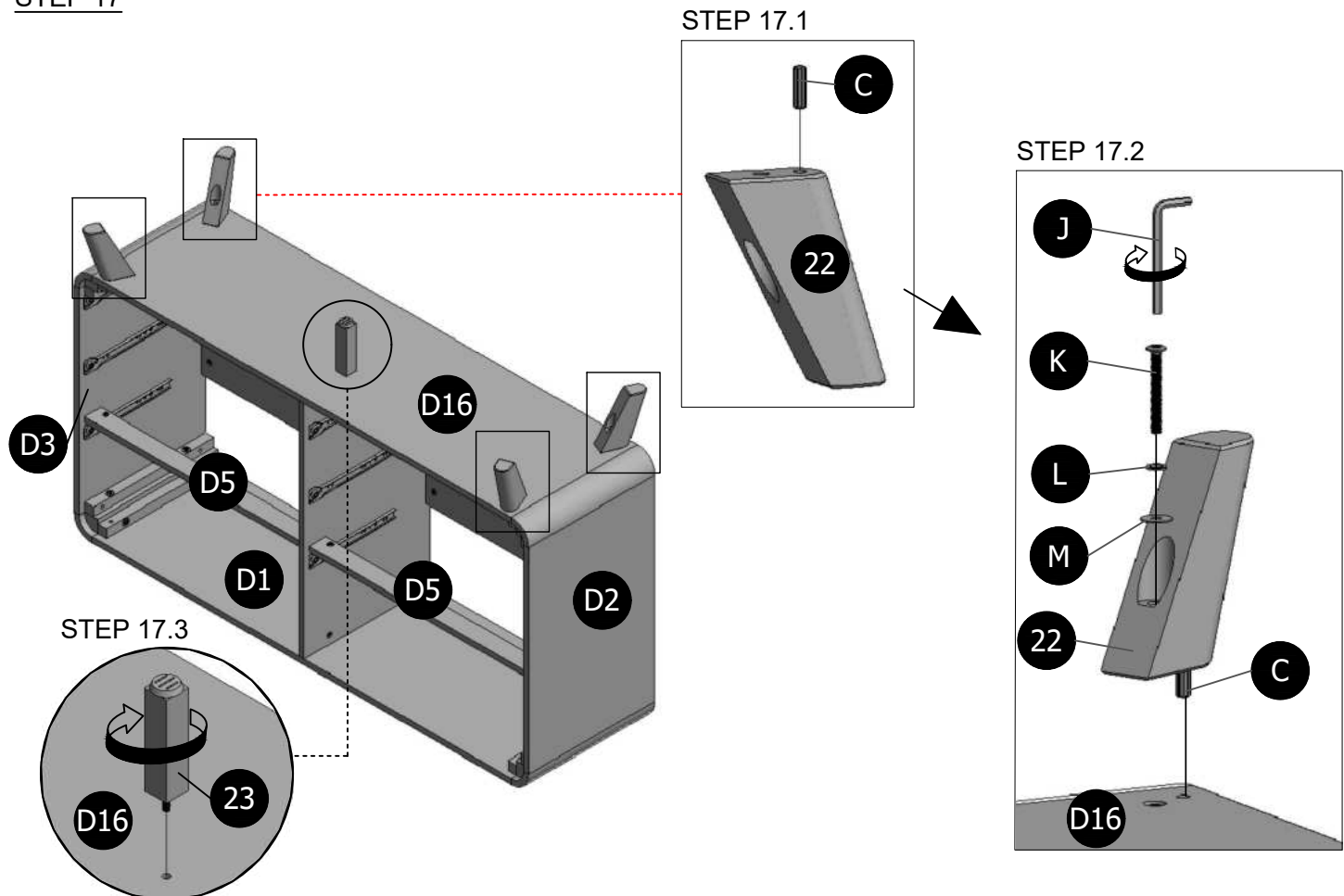


ASSEMBLY INSTRUCTION

STEP 16



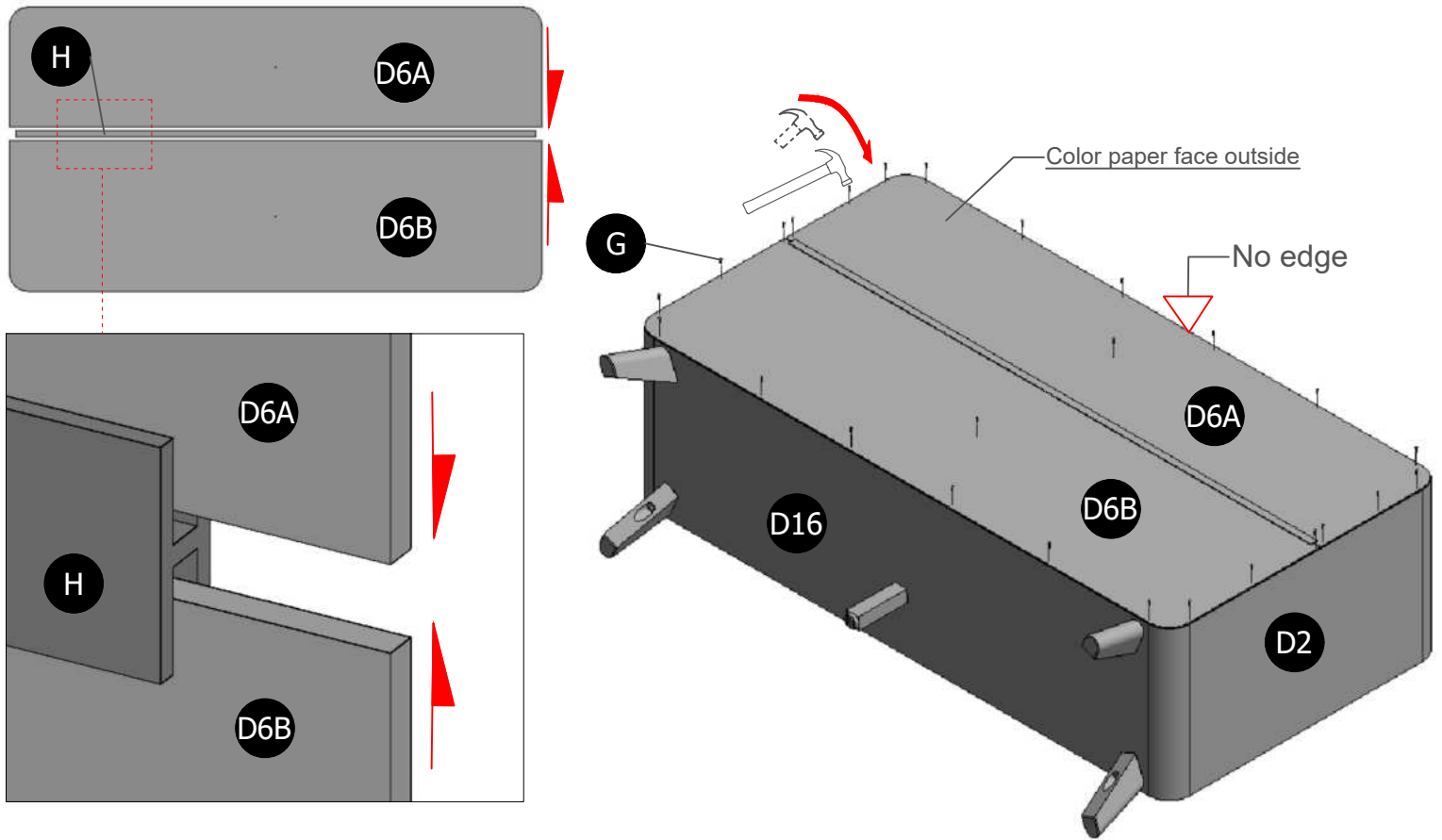
STEP 17



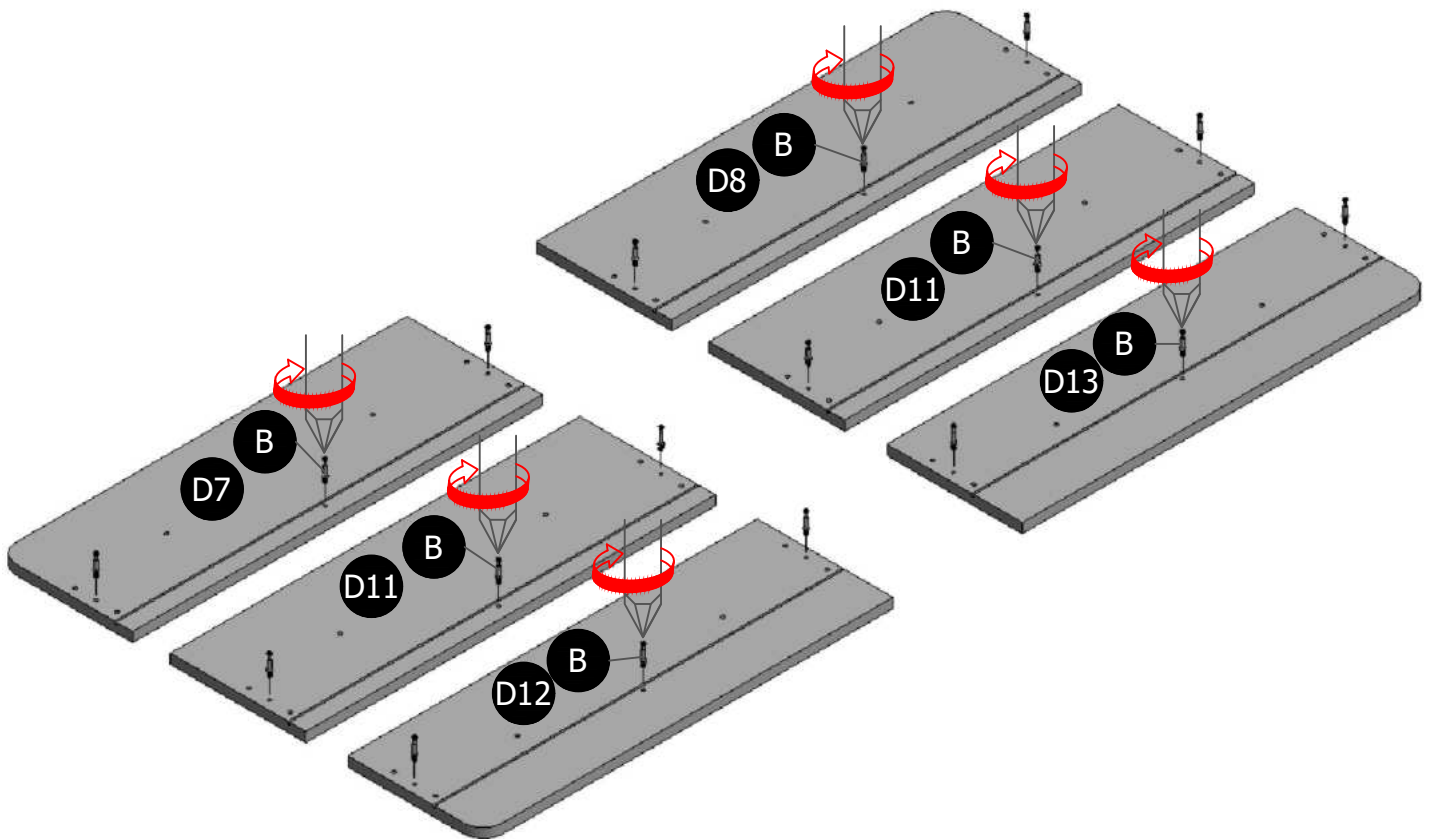
ASSEMBLY INSTRUCTION

STEP 18

Side with color paper must be the same.



STEP 19

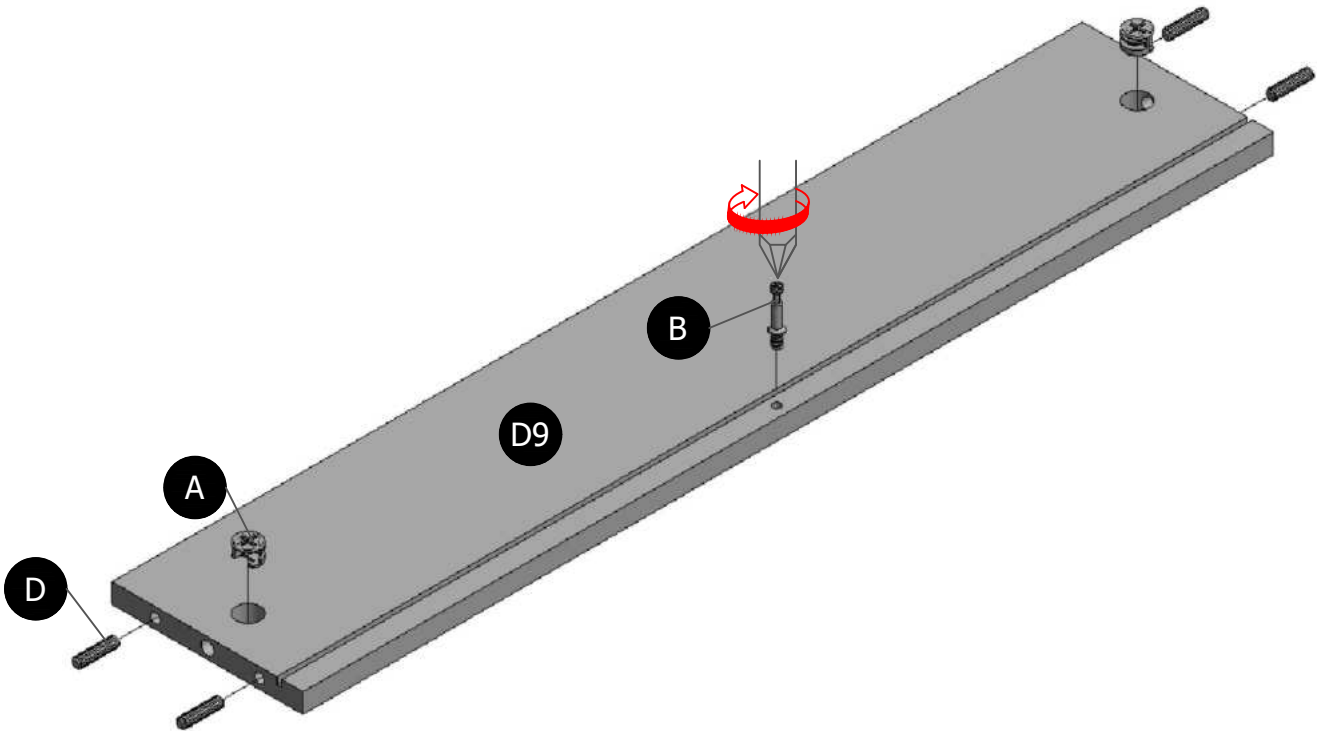


ASSEMBLY INSTRUCTION

STEP 20

NOTE : - Make sure arrows on each (A) point towards nearest edge with hole.

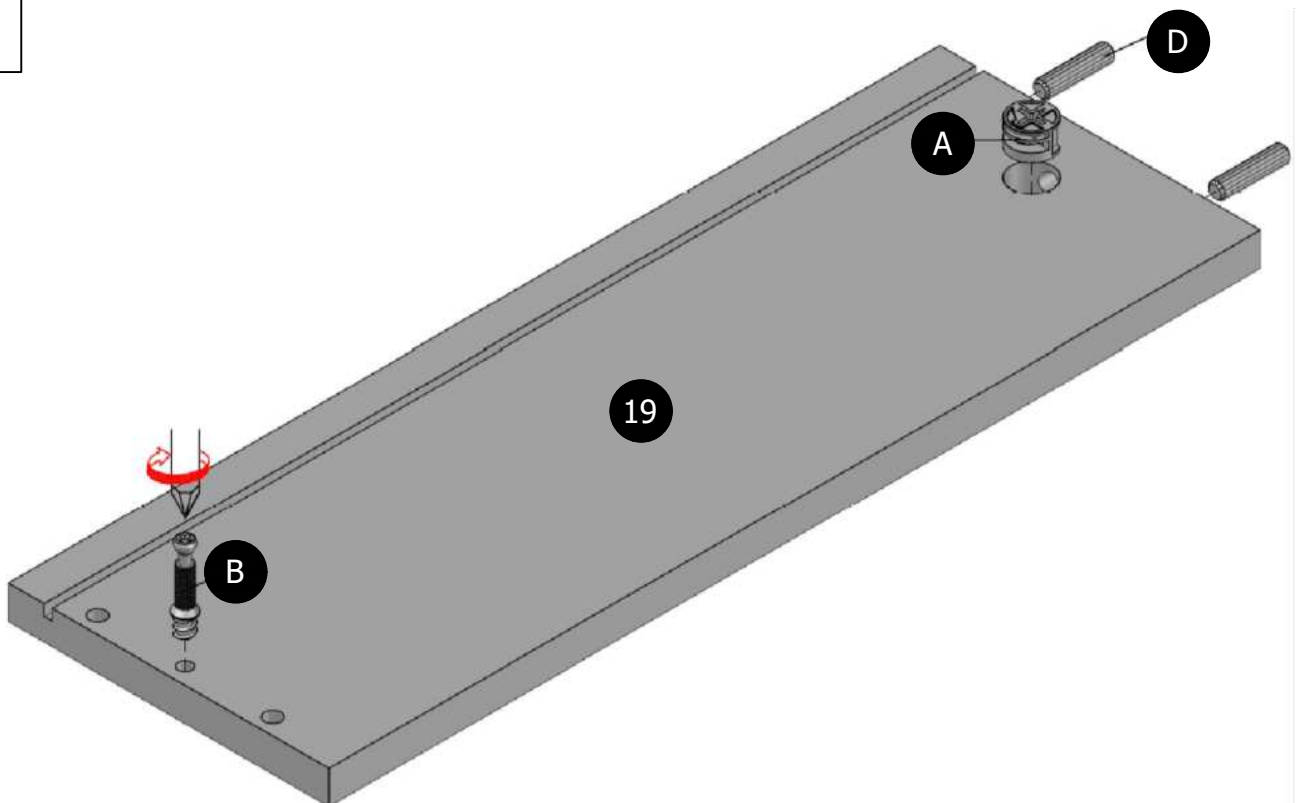
x 6



STEP 21

NOTE : - Make sure arrows on each (A) point towards nearest edge with hole.

x 6

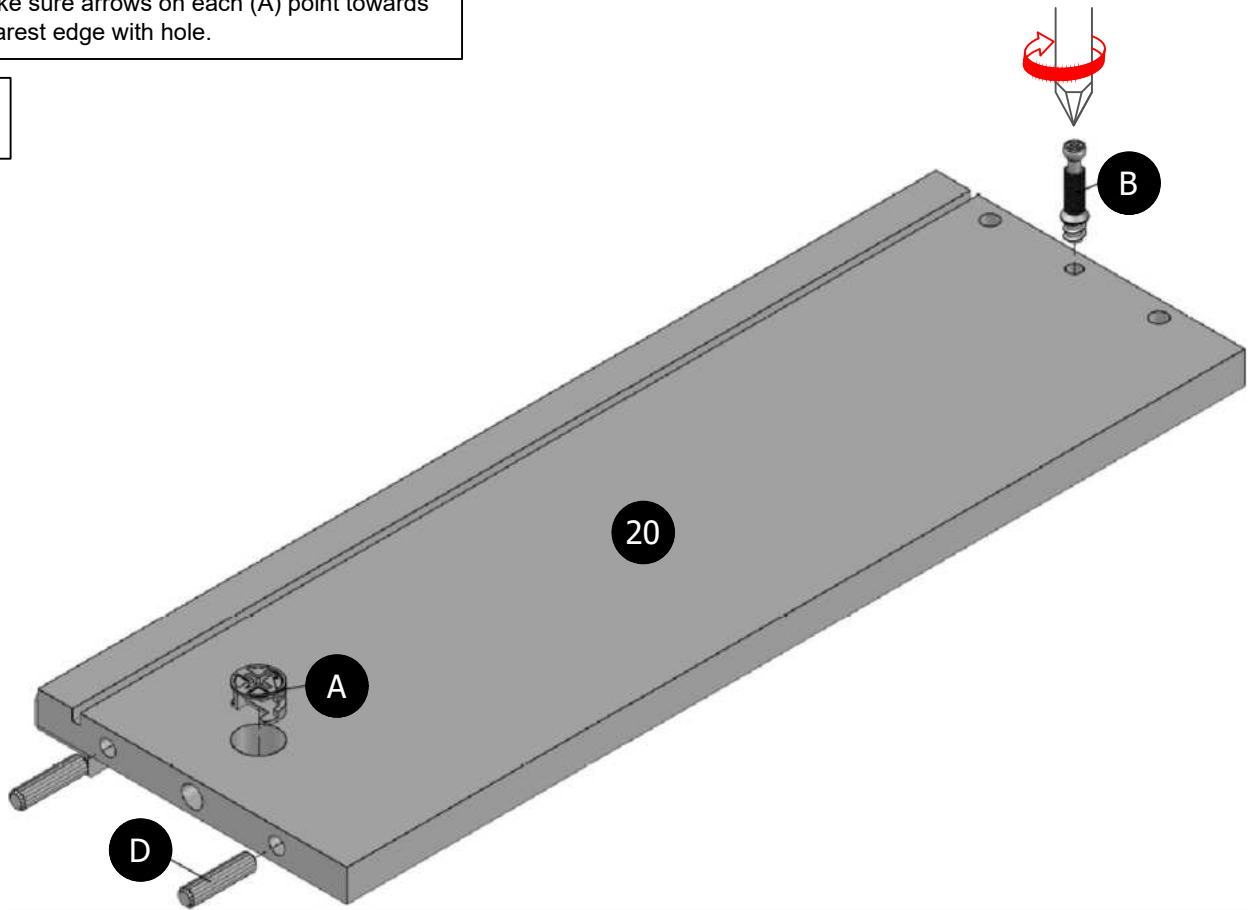


ASSEMBLY INSTRUCTION

STEP 22

NOTE : - Make sure arrows on each (A) point towards nearest edge with hole.

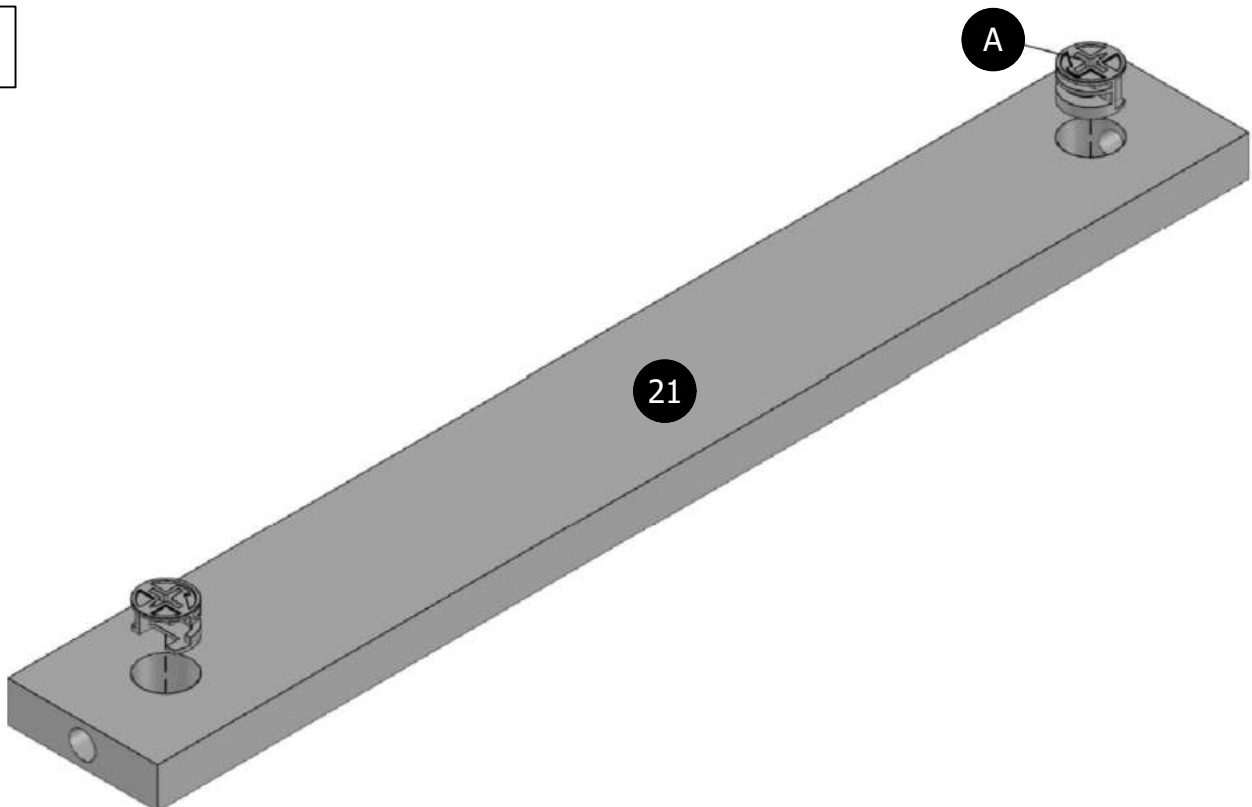
x 6



STEP 23

NOTE : - Make sure arrows on each (A) point towards nearest edge with hole.

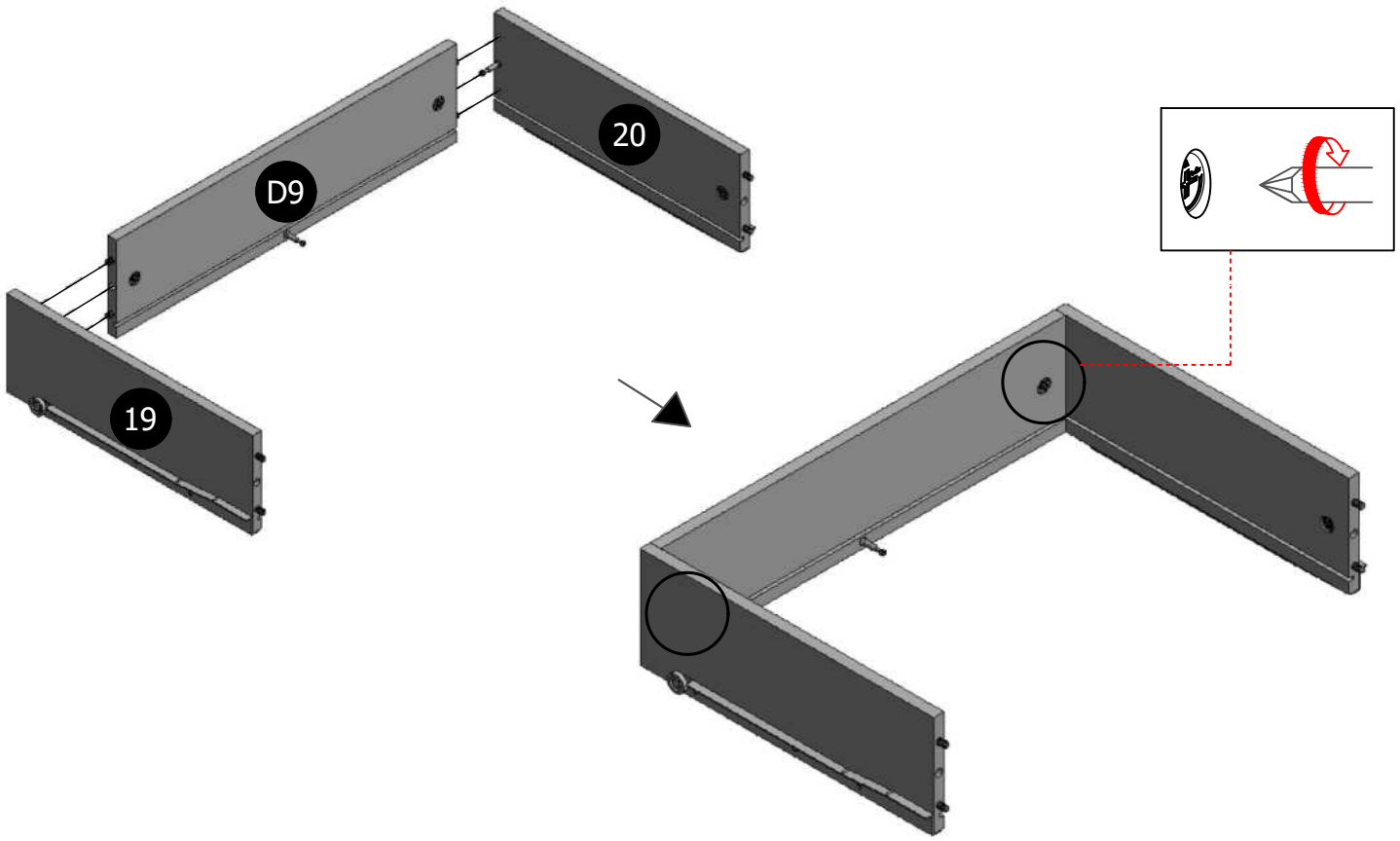
x 6



ASSEMBLY INSTRUCTION

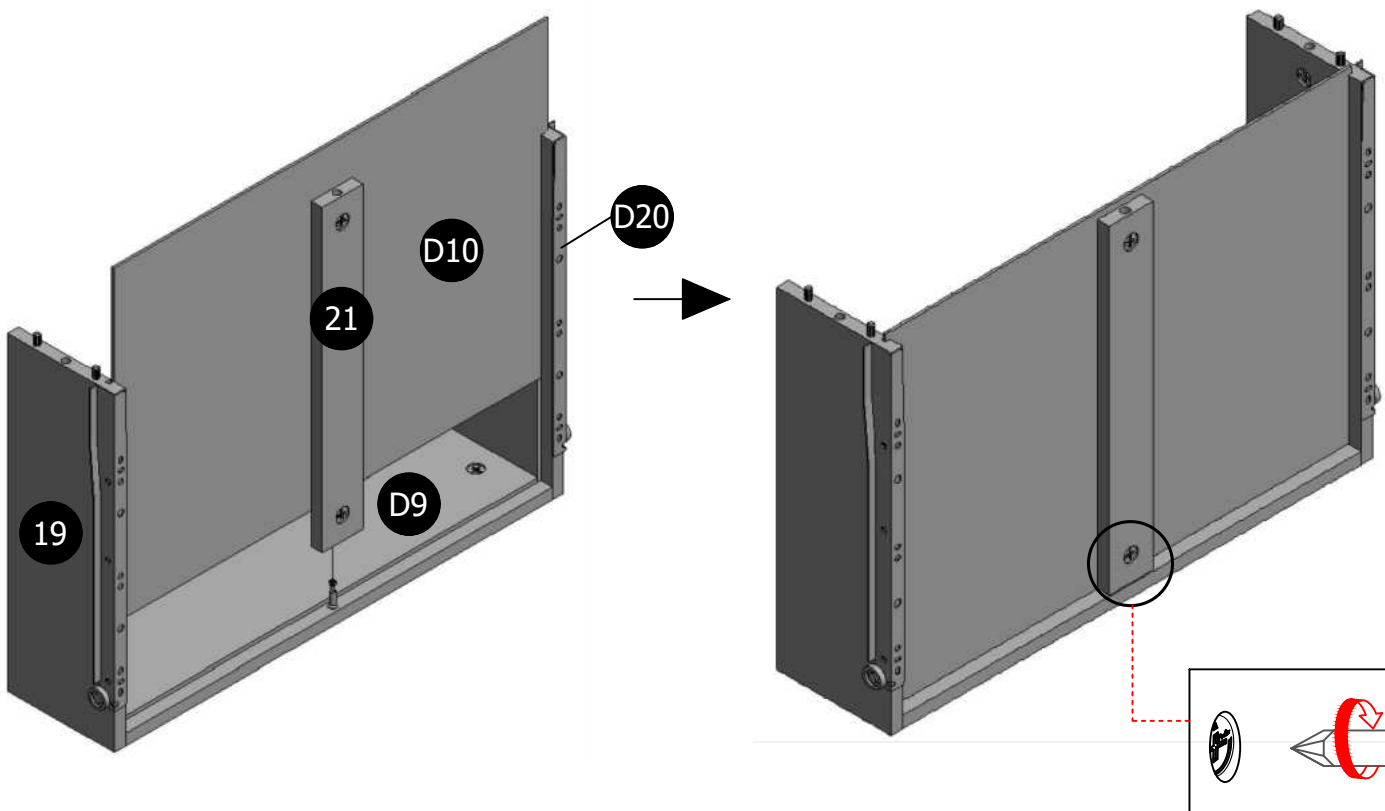
STEP 24

x 6



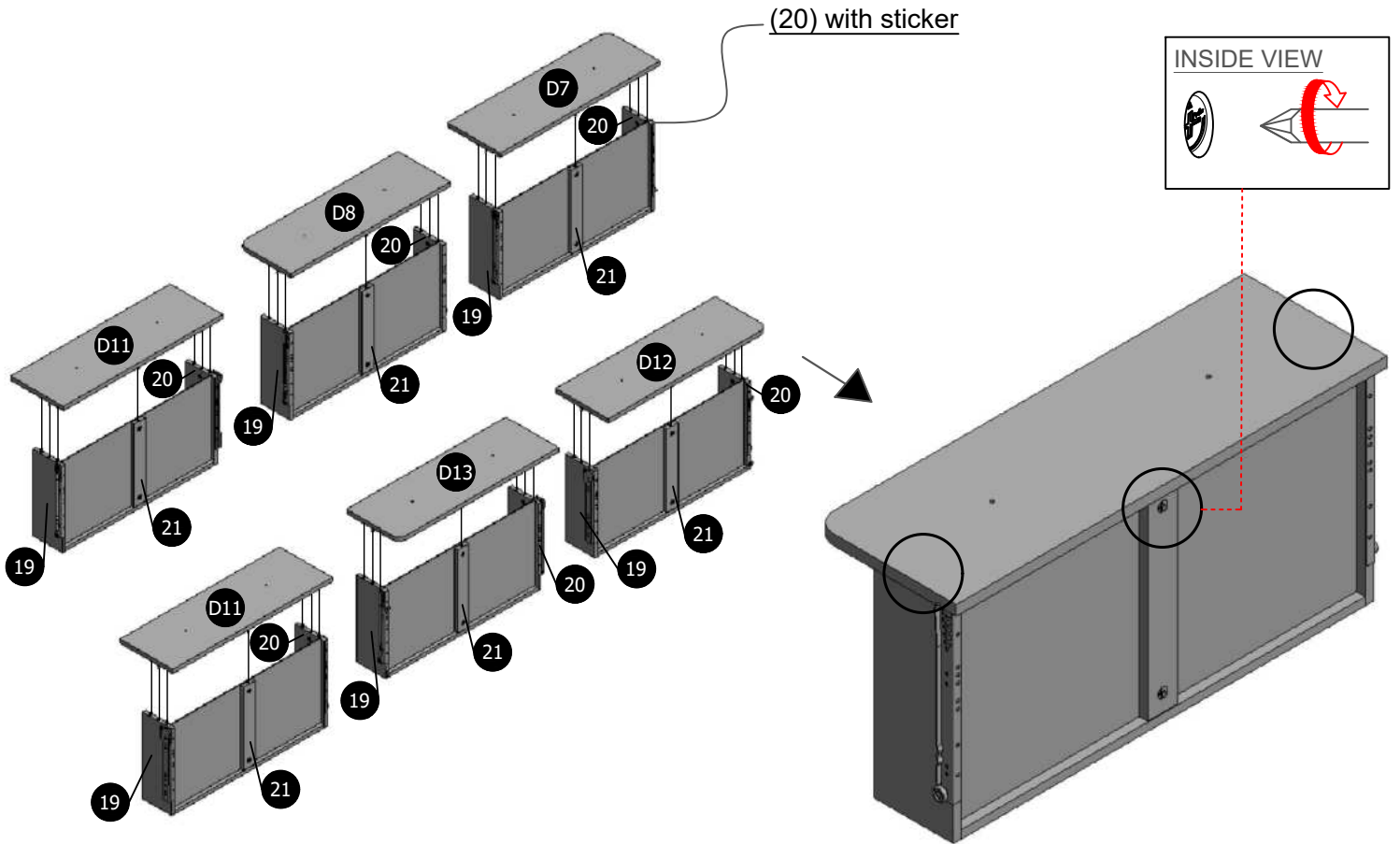
STEP 25

x 6



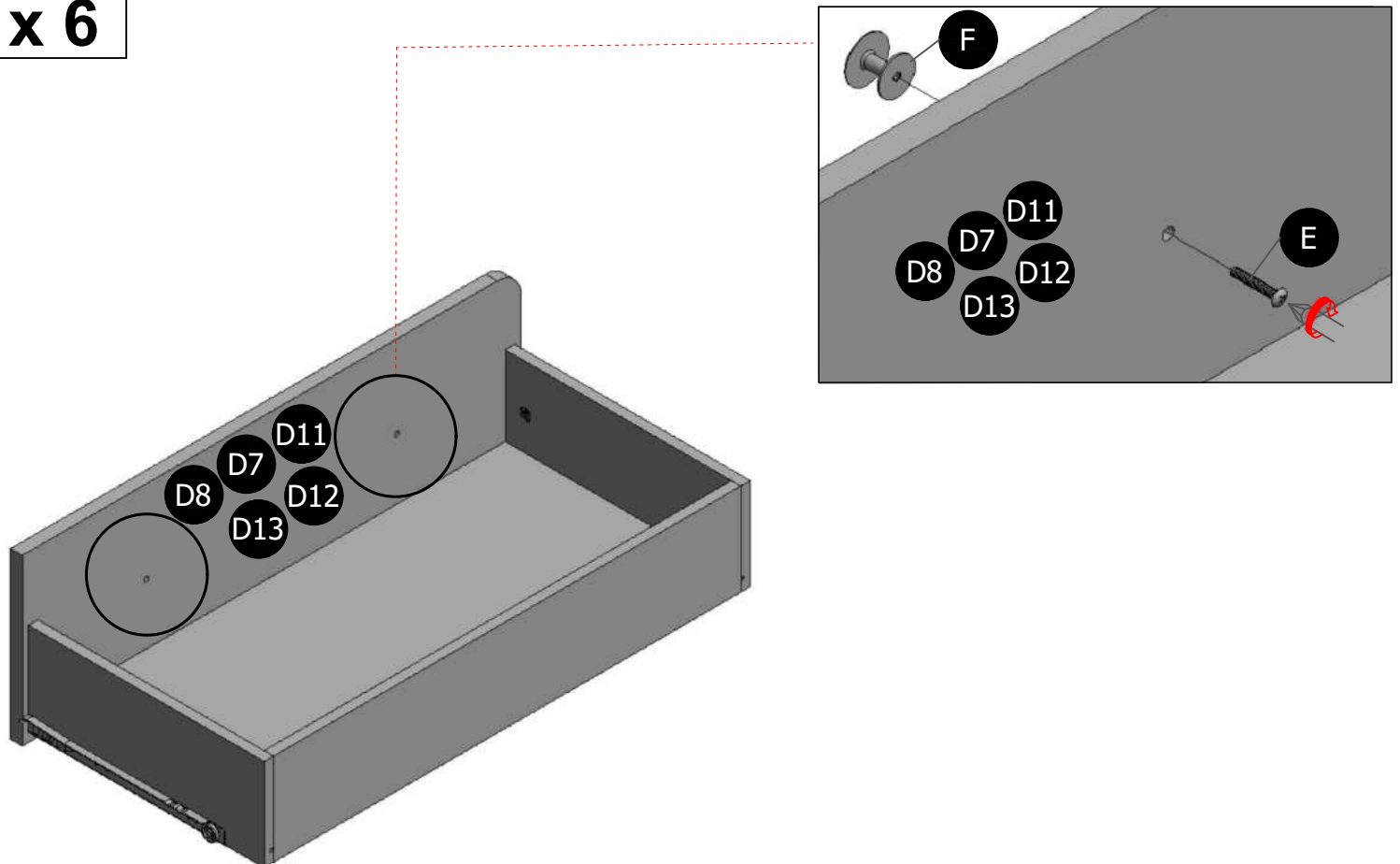
ASSEMBLY INSTRUCTION

STEP 26



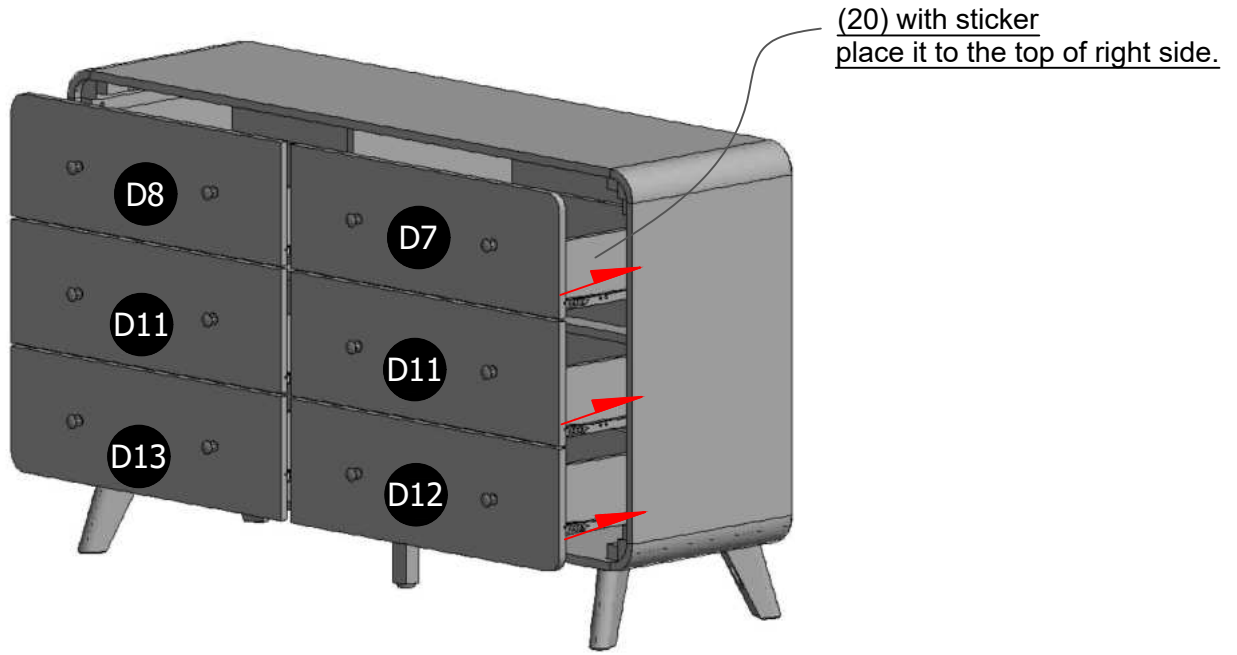
STEP 27

x 6

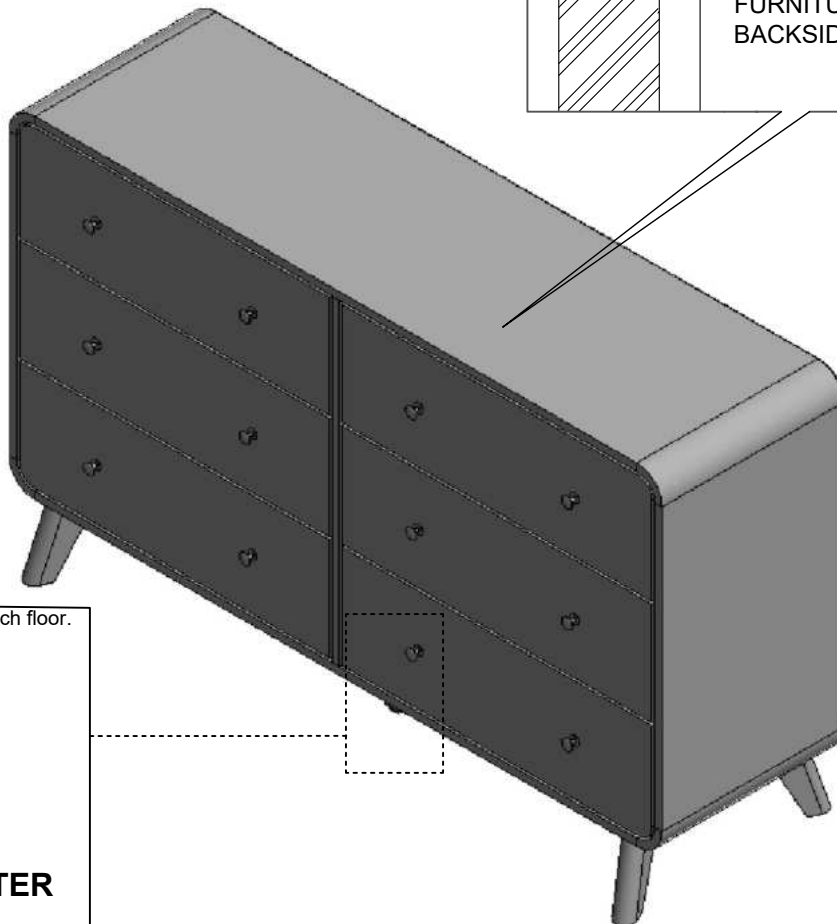
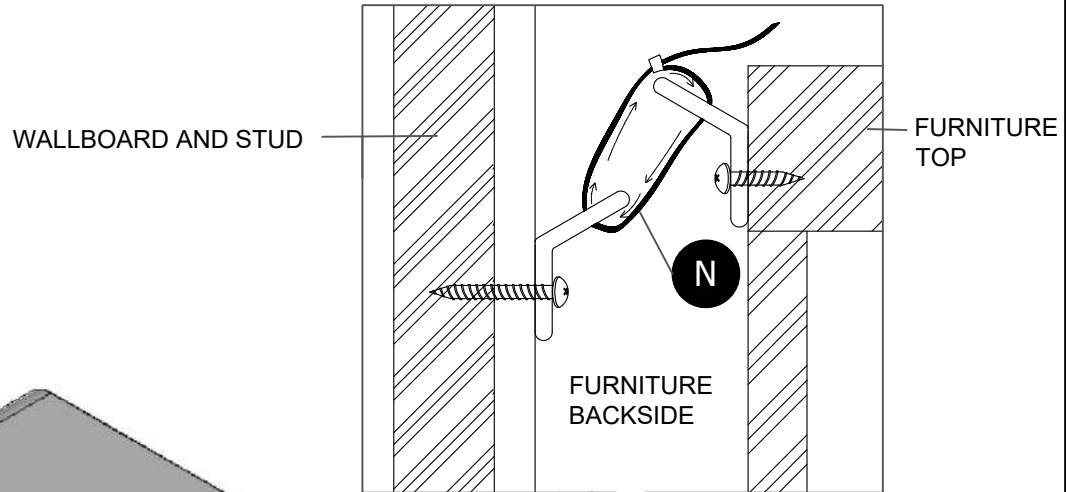


ASSEMBLY INSTRUCTION

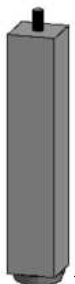
STEP 28



STEP 29



Adjust leveling feet (23) to touch floor.



ADJUSTER
SCREW

ASSEMBLY COMPLETED