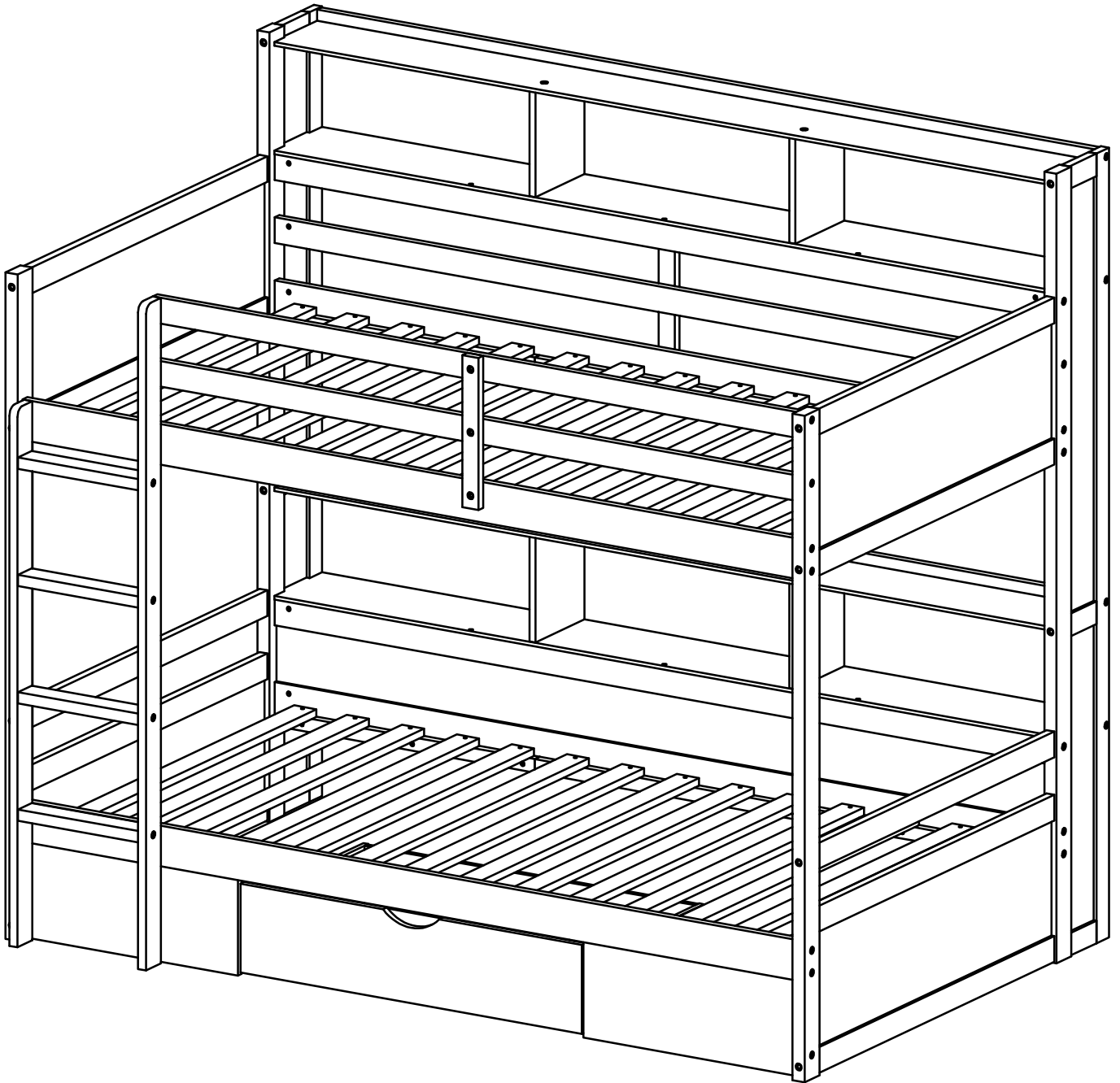


ASSEMBLY INSTRUCTION

This set included 2 boxex if do not receive full 2 boxex .Please contact our customer service team



! SAFETY WARNINGS !

1. This bed is designed for use only mattress (es) meeting the following specifications on the upper bunk, and lower bunk

Upper bed

Bed Type	Length	Width	Thickness
<i>Twin Standard</i>	<i>74" - 75"</i>	<i>38 1/2"</i>	<i>6" max</i>

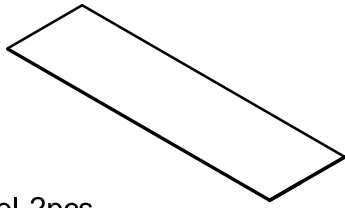
Lower bed

Bed Type	Length	Width	Thickness
<i>Twin Standard</i>	<i>74" - 75"</i>	<i>38 1/2"</i>	<i>8" max</i>

2. Replacement parts, including additional guardrails, maybe obtained from any of our dealers
3. Follow the information on the warnings appearing on the upper bunk bed end structure and on the carton. Do not remove warning label from bed
4. Always use the recommended size mattresses or mattress supports, or both, to help prevent the likelihood of entrapment or falls.
5. Surface of mattress must be at least 5" (127mm) below the upper edge of guardrails
6. Do not allow children under 6 years of age to use the upper bunk.
7. Periodically check and ensure that the guardrail, ladder, and other components are in their proper position, free from damage, and that all connectors are tight.
8. Do not allow horseplay on or under the bed and prohibit jumping on the bed.
9. Always use the ladder for entering and leaving the upper bunk **Always use the ladder for entering and leaving the upper bunk.**
10. Do not use substitute part. Contact the manufacture or dealer for replacement part
11. Use of a night light may provide added safety precaution for a child using the upper bunk..
12. Always use guardrails on both long sides of the upper bunk. If the bunk bed will be placed next to the wall, the guardrail that runs the full length of the bed should be placed against the wall to prevent entrapment between the bed and wall.
13. The use of water or sleep flotation mattresses is prohibited
14. **STRANGULATION HAZARD** - Never attach or hang items to any part of the bunk bed that are not designed for use with the bed; for example, but not limited to, hook, belts and jump ropes
15. Keep these instruction for future reference
16. Prohibit more than one person on upper bunk
17. We recommend assembling your bunk bed on the shipping carton to protect your floor or carpet
18. Be certain all staples are out of the box before beginning assembly on the shipping carton.

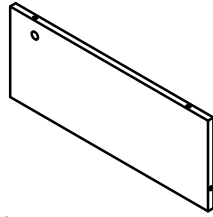
Part List

C4



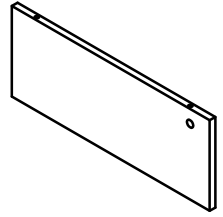
Panel-2pcs

C5



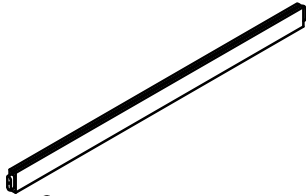
Panel-1pc

C6



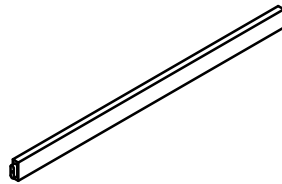
Panel-1pc

A4



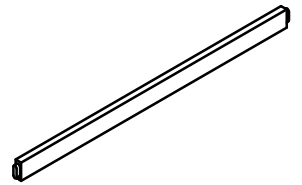
WoodBar-6pcs

A5



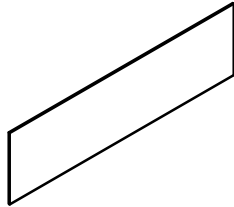
WoodBar-2pcs

A6



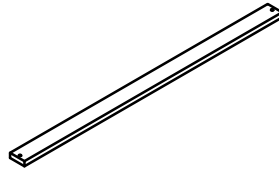
WoodBar-2pcs

A7



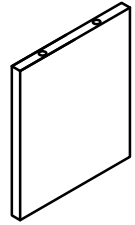
Panel-4pcs

D5



Slats-28pcs

D6



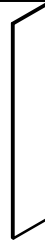
Panel-4pcs

B1



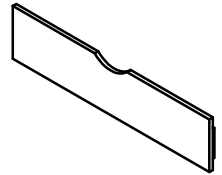
Panel-2pcs

B2



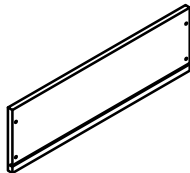
Panel-2pcs

B9



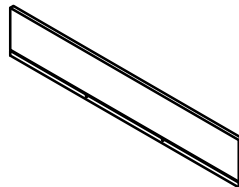
Panel-1pc

C1



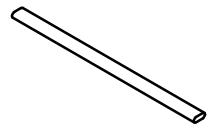
Panel-2pcs

C2






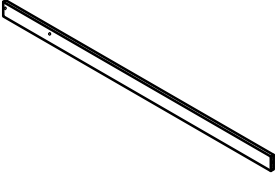
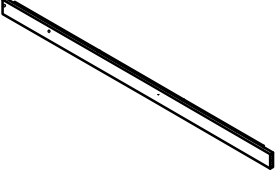
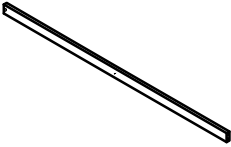

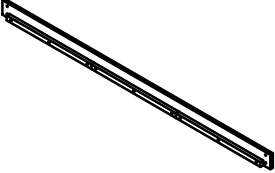
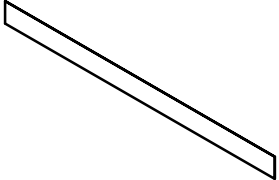
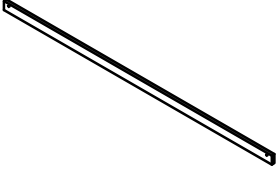
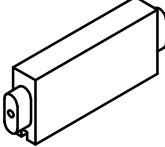
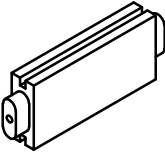
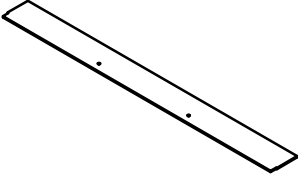
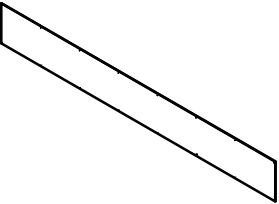
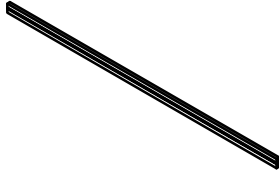
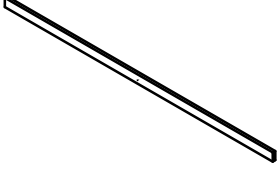
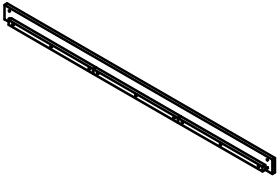
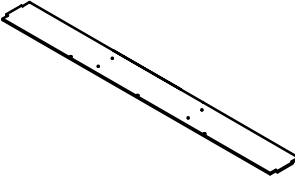
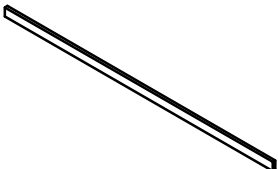


Panel-1pc

C3



WoodBar-2pcs

Part List & Hardware List

<p>A1</p>  <p>Leg-1pc</p>	<p>A2</p>  <p>Leg-1pc</p>	<p>A3</p>  <p>Leg-1pc</p>
<p>C7</p>  <p>Side Rail-1pc</p>	<p>C8</p>  <p>Side Rail-1pc</p>	<p>C9</p>  <p>WoodBar-2pcs</p>
<p>D1</p>  <p>WoodBar-2pcs</p>	<p>D2</p>  <p>Side Rail-1pc</p>	<p>D3</p>  <p>Panel-1pc</p>
<p>D4</p>  <p>WoodBar-1pc</p>	<p>A8</p>  <p>WoodBar-4pcs</p>	<p>A9</p>  <p>WoodBar-2pcs</p>
<p>D7</p>  <p>Panel-2pcs</p>	<p>D8</p>  <p>Panel-2pcs</p>	<p>D9</p>  <p>WoodBar-2pcs</p>
<p>E1</p>  <p>WoodBar-2pcs</p>	<p>E2</p>  <p>Side Rail-1pc</p>	<p>E3</p>  <p>Panel-2pcs</p>
<p>E4</p>  <p>WoodBar-2pcs</p>	<p>B3</p>  <p>Leg-1pc</p>	<p>B4</p>  <p>Leg-1pc</p>

Part List & Hardware List

B5



Leg-1pc

B6



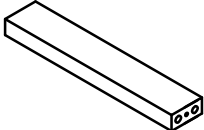
WoodBar-1pc

B7



WoodBar-1pc

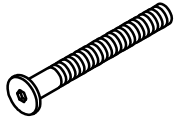
B8



WoodBar-4pcs

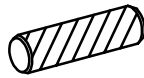
Hardware List

1



Ø1/4" x 70 mm
Hex-Head bolts 34pcs

2



Ø10 x 40 mm
Wood dowel 40pcs

3



Screws 1/4" x80
12pcs

4



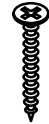
Ø1/4" x 13 mm
Horizontal-Hole bolts 34pcs

5



Screws 1/4" x30
6pcs

6



M4 x 30 mm
Wood Screws 70pcs

7



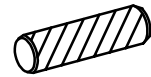
Ø1/4" x 20 mm
Hex-Head bolts 12pcs

8



M3.5 x 12 mm
Wood Screws 20pcs

9



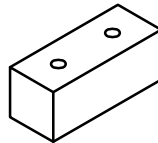
Ø8 x 30 mm
Wood dowel 2pcs

10



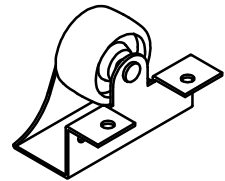
M4 x 15 mm
Wood Screws 32pcs

11



Bottom Rail-2psc

12



Wheels 4pcs

13



2pcs

14



Allen Key 1pc

15



Screws 1/4" x70
14pcs

16



4pcs

17



M4 x 20 mm
Wood Screws 8pcs

18

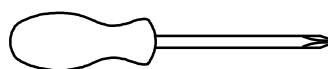


Screws 1/4" x50
14pcs

19

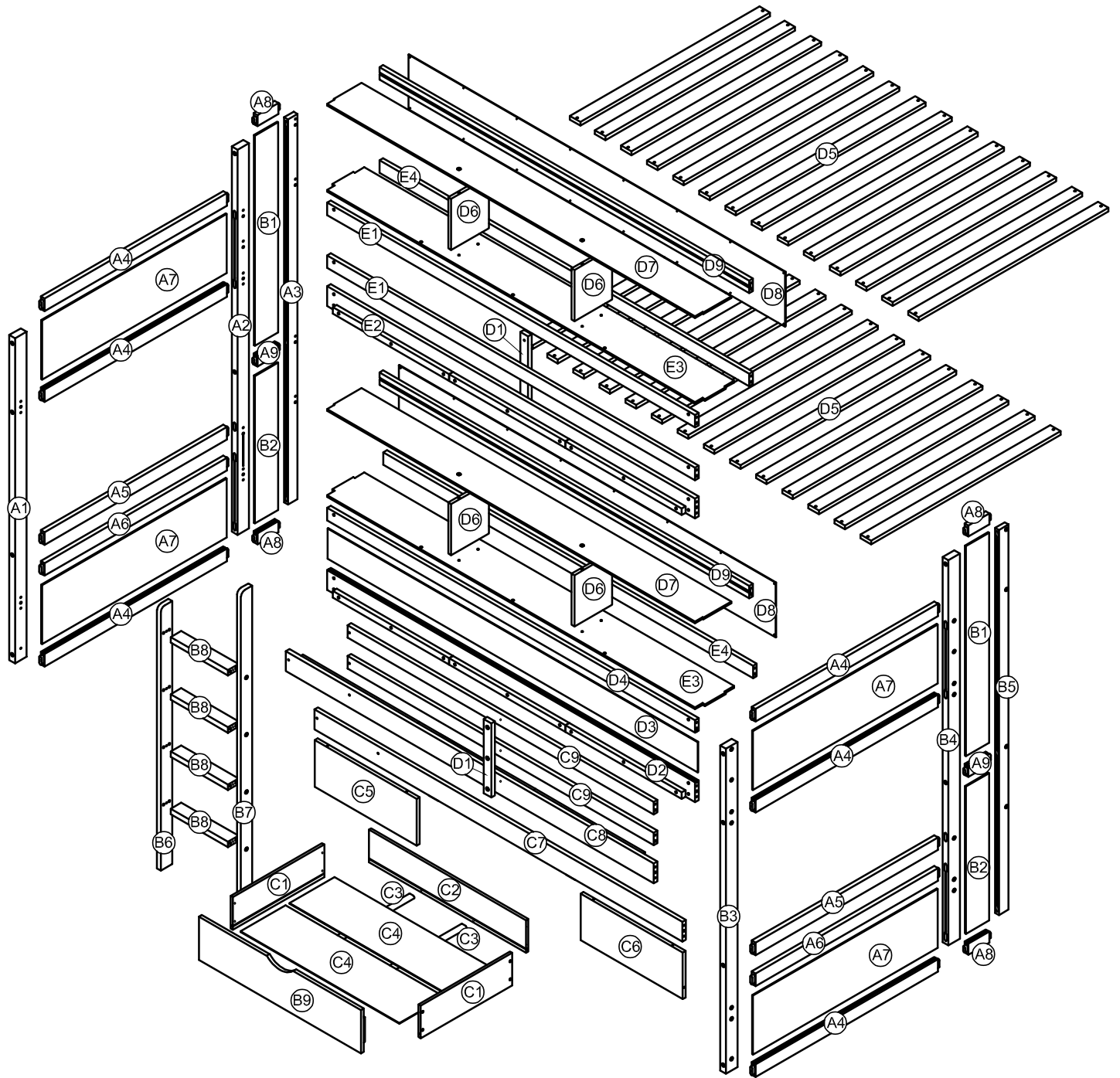


2pcs

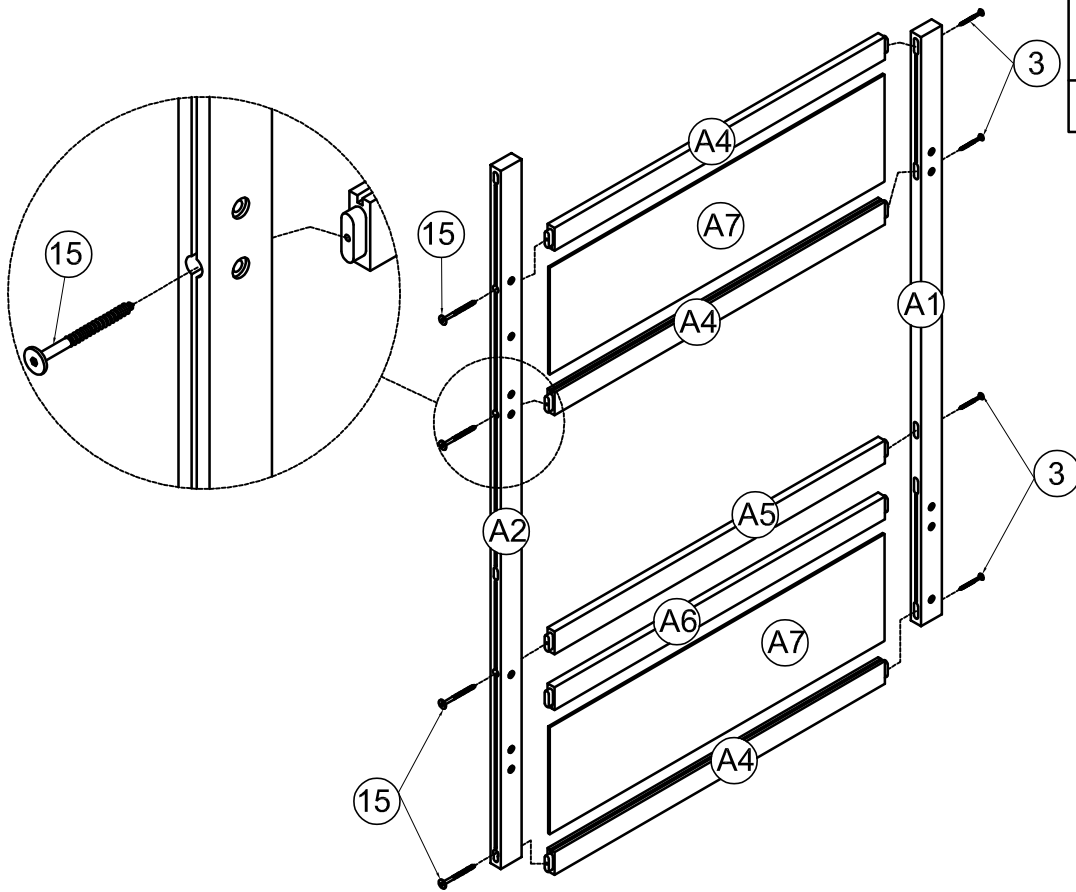




Assembly Tools Required (Not Included)

ASSEMBLY INSTRUCTION

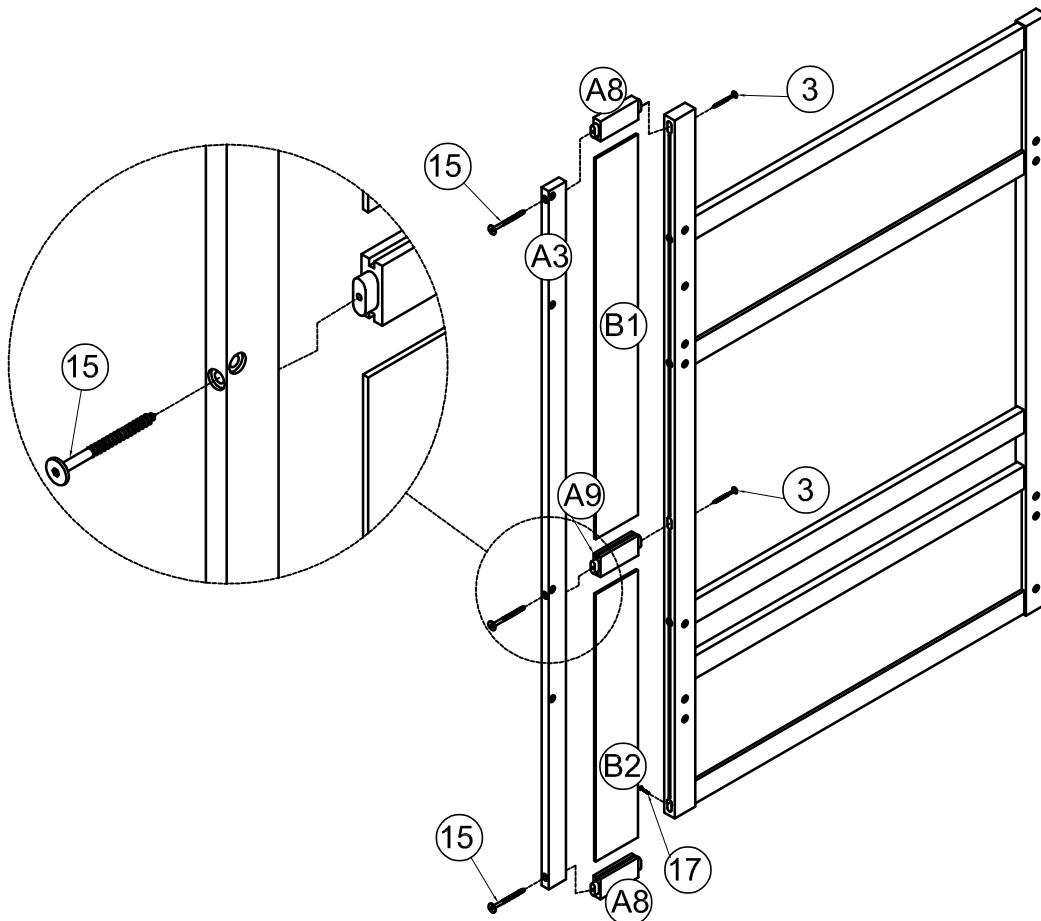





STEP1: Following below illustration.



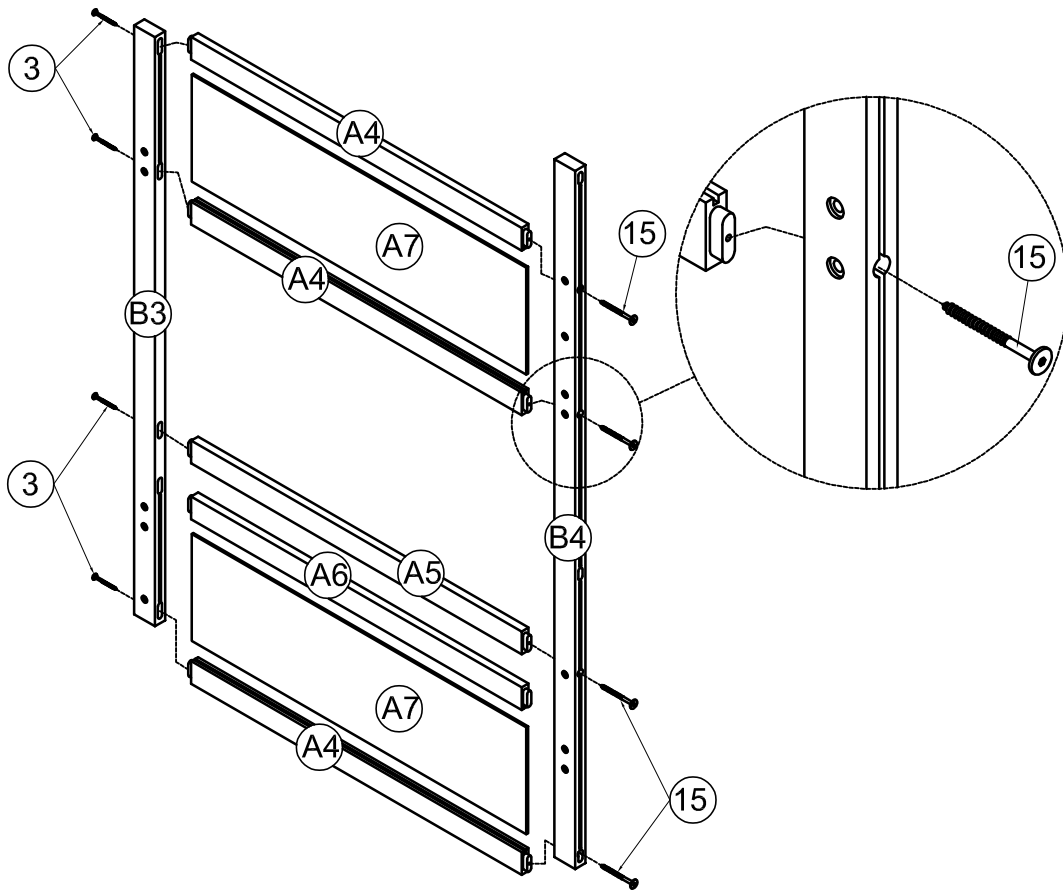
15	3
	
4(pcs)	4(pcs)



STEP2: Following below illustration.



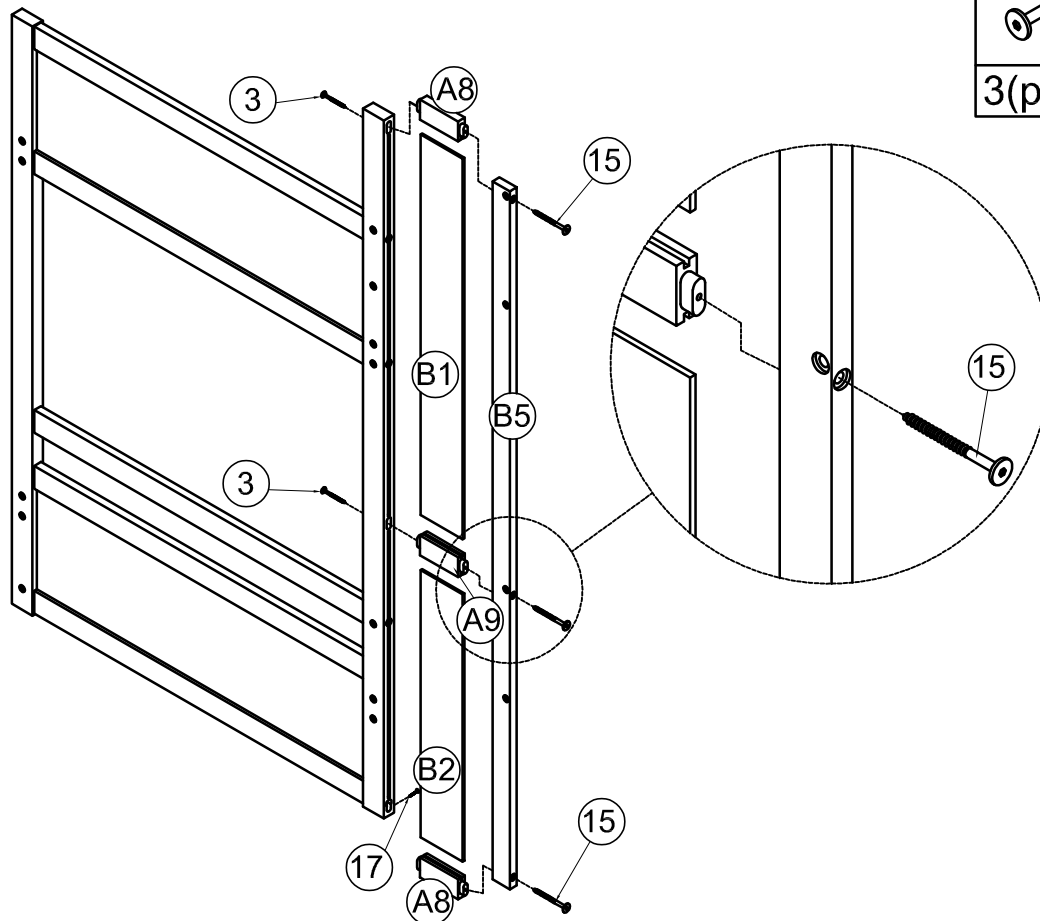
15	3
	
3(pcs)	2(pcs)
	17
	
	1(pc)




STEP3: Following below illustration.




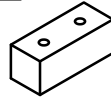

15	3
	
4(pcs)	4(pcs)

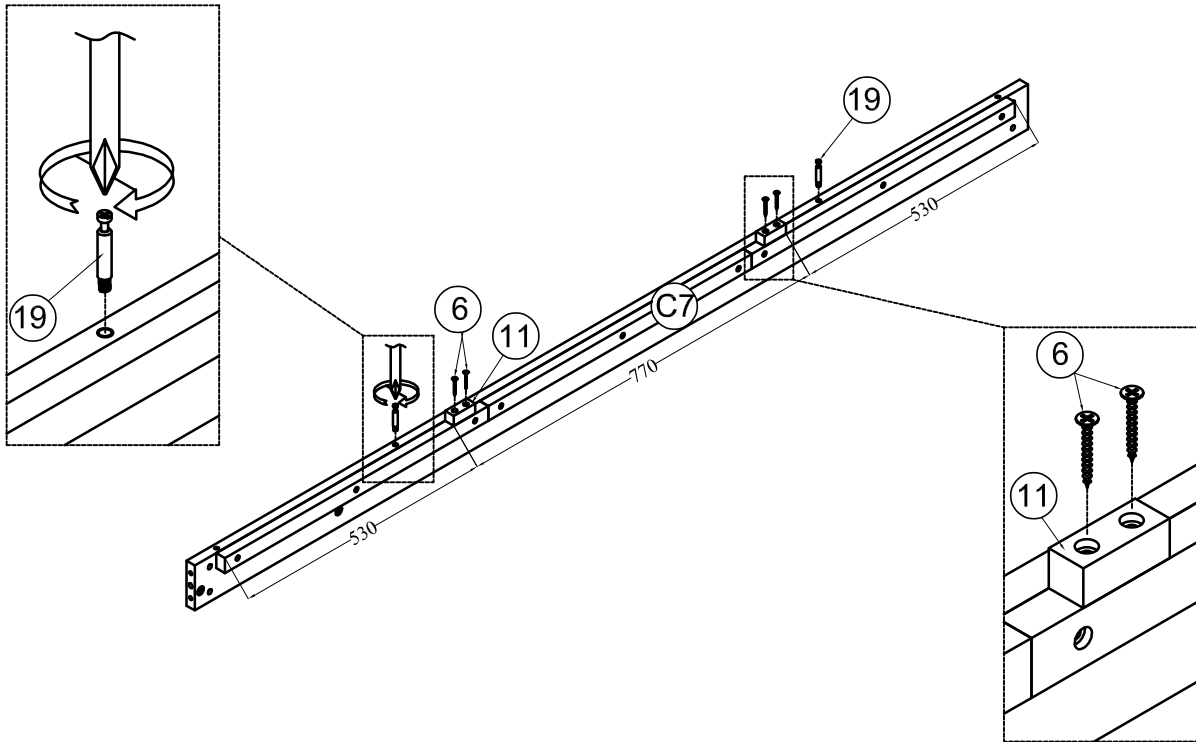
STEP4: Following below illustration.




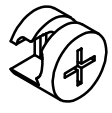
15	3
	
3(pcs)	2(pcs)
	17
	
	1(pc)

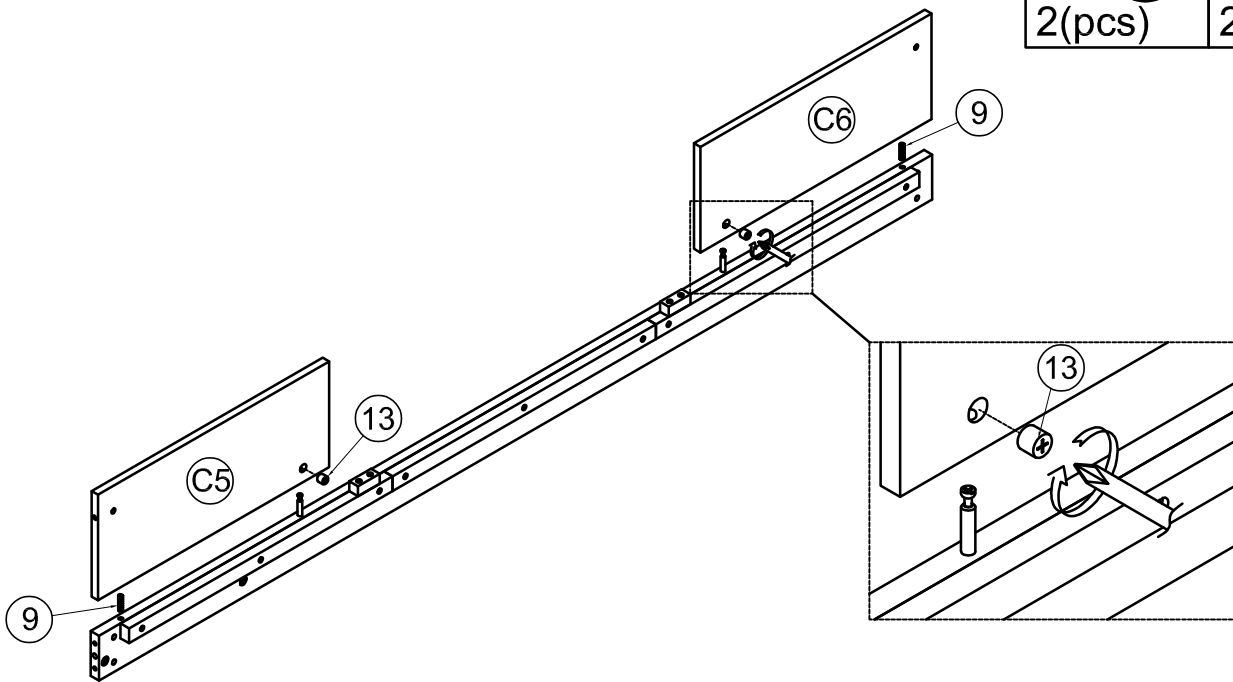
STEP5: Following below illustration.

19		11		6	
2(pcs)		2(pcs)		4(pcs)	

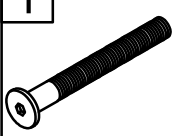




STEP6: Following below illustration.

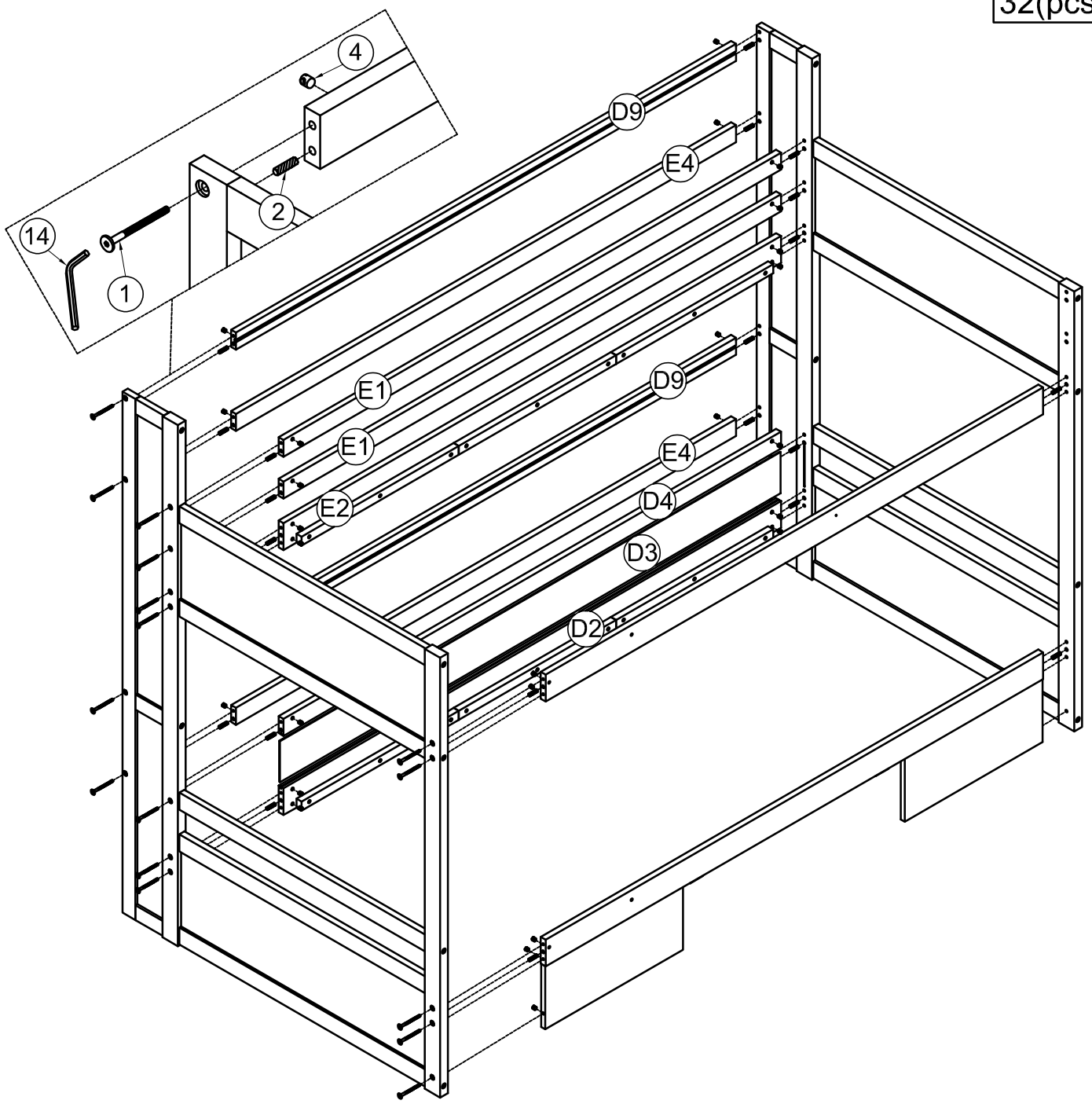
9		13	
2(pcs)		2(pcs)	



STEP7: Following below illustration.

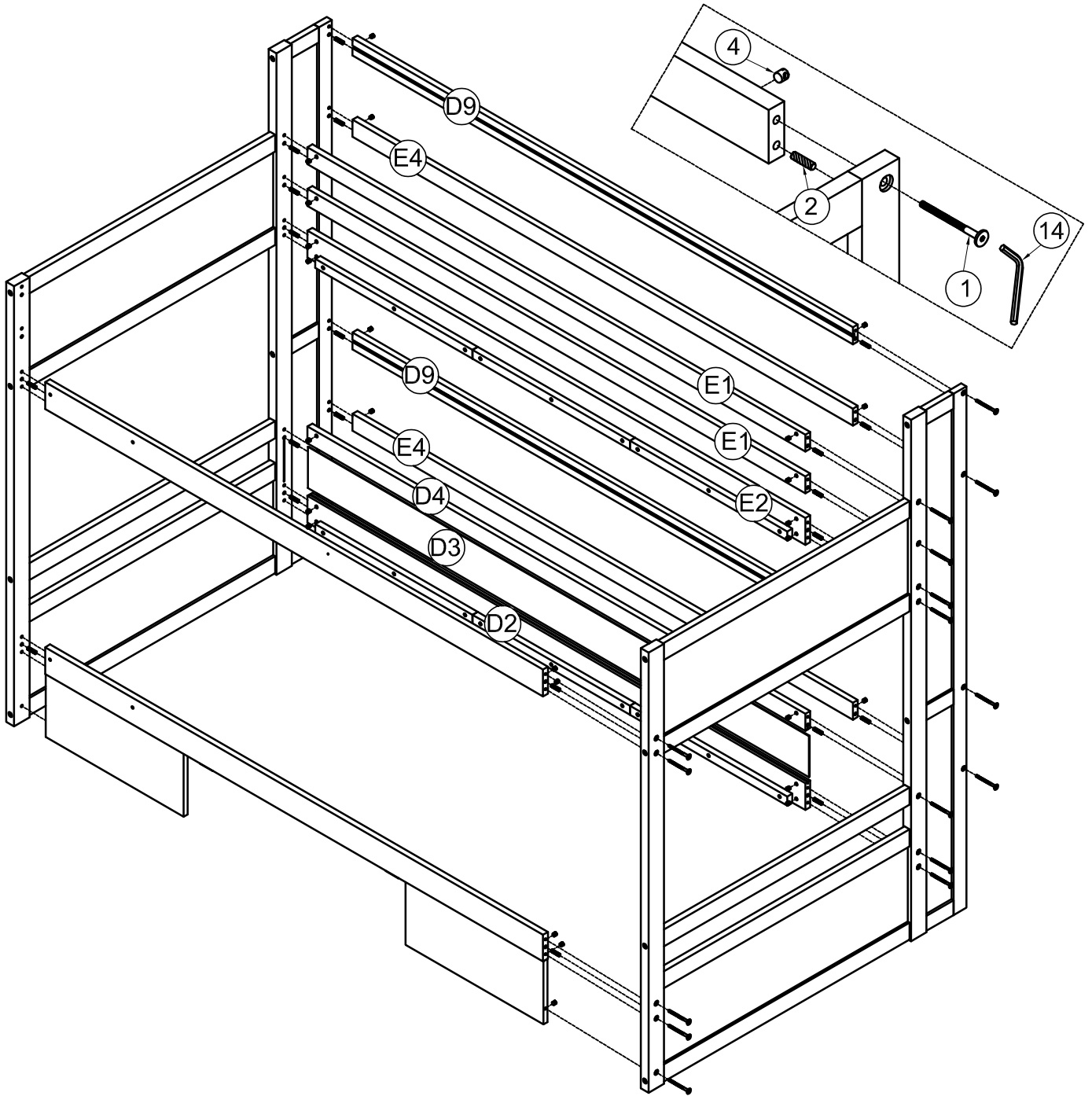
1		2	
32(pcs)		22(pcs)	
		4	
		32(pcs)	

RIGHT FRONT VIEW

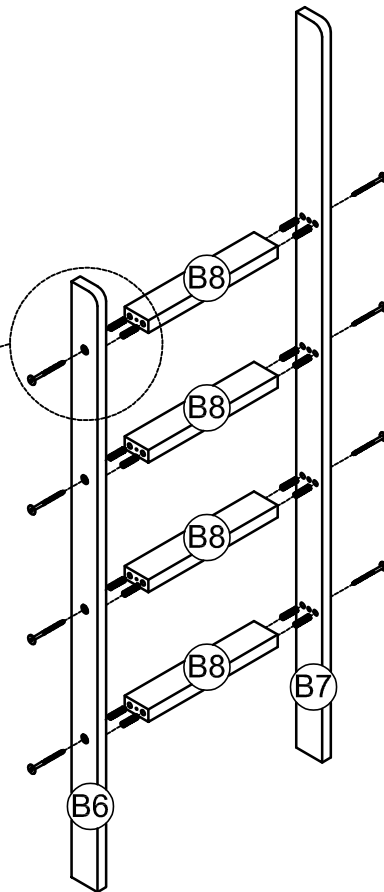
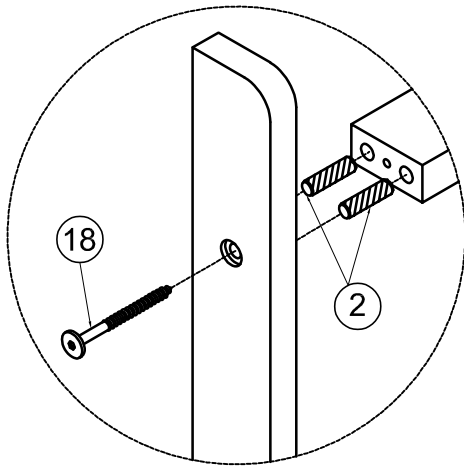


STEP7: Following below illustration.

LEFT FRONT VIEW

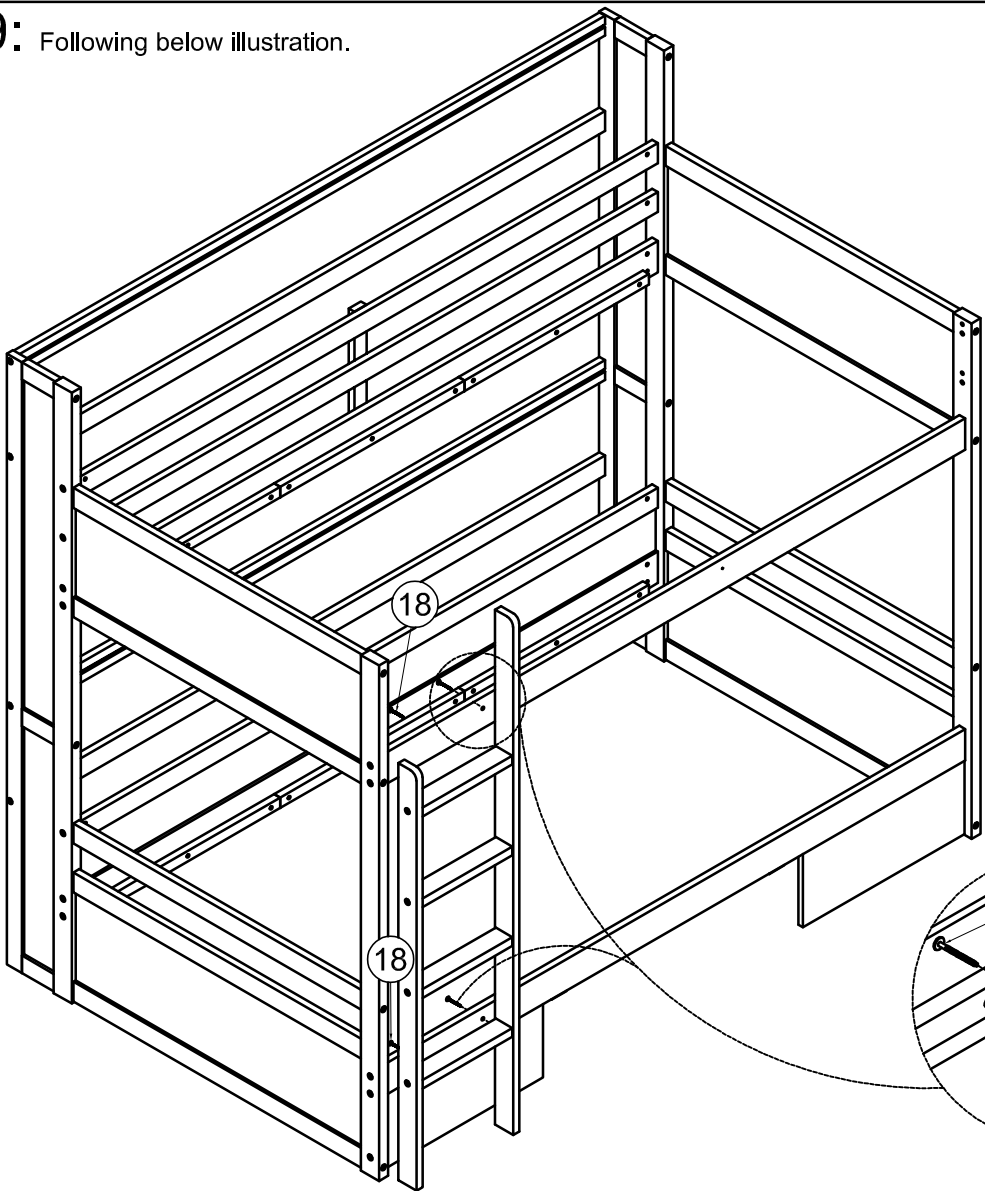


STEP8: Following below illustration.







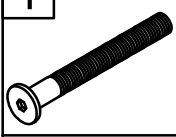
2		18	
16(pcs)		8(pcs)	

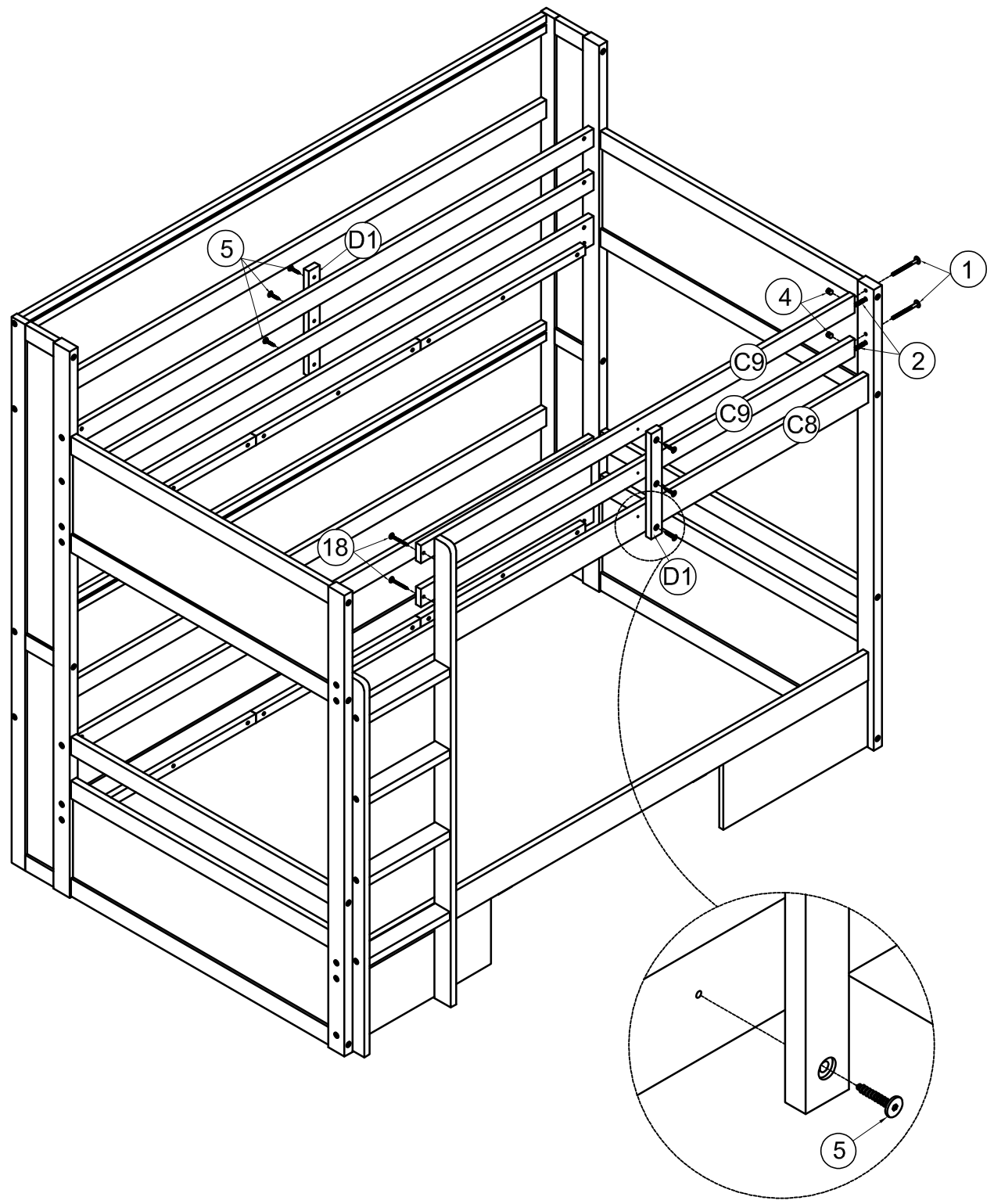
STEP9: Following below illustration.



18	
4(pcs)	

STEP10: Following below illustration.

4		2		18		5	
2(pcs)		2(pcs)		2(pcs)		6(pcs)	
						1	
						2(pcs)	

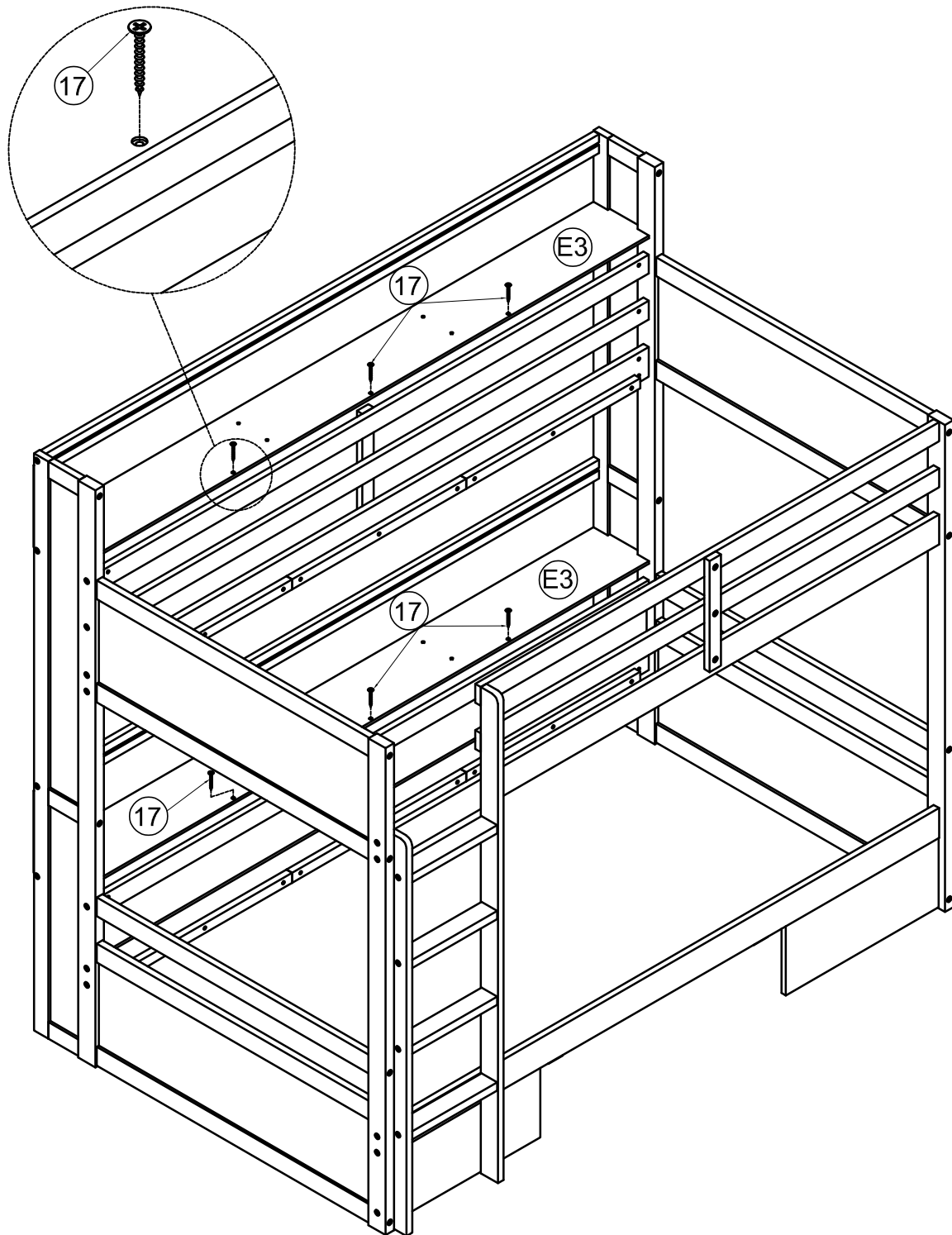


STEP11: Following below illustration.

17



6(pcs)

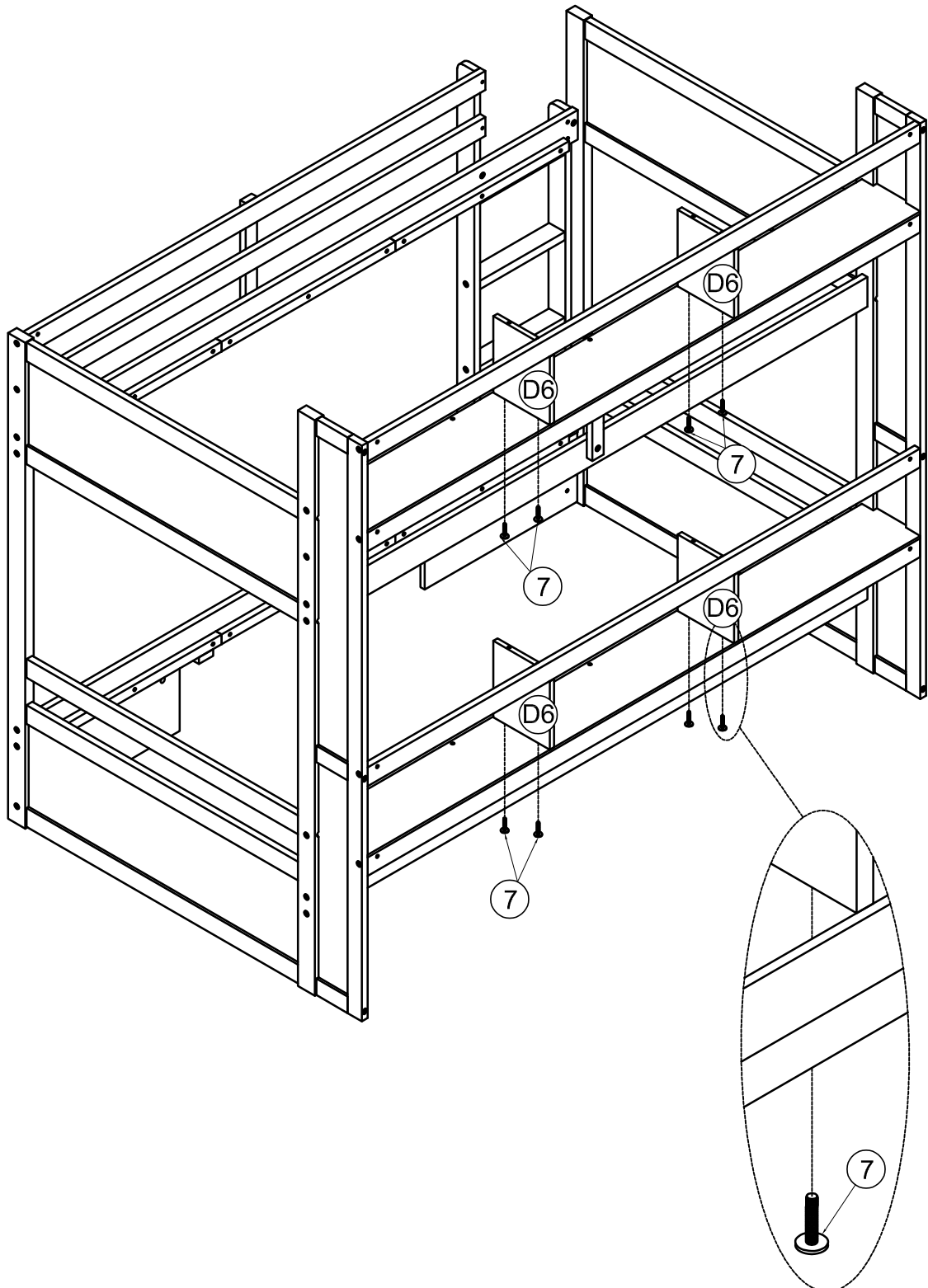


STEP12: Following below illustration.




7

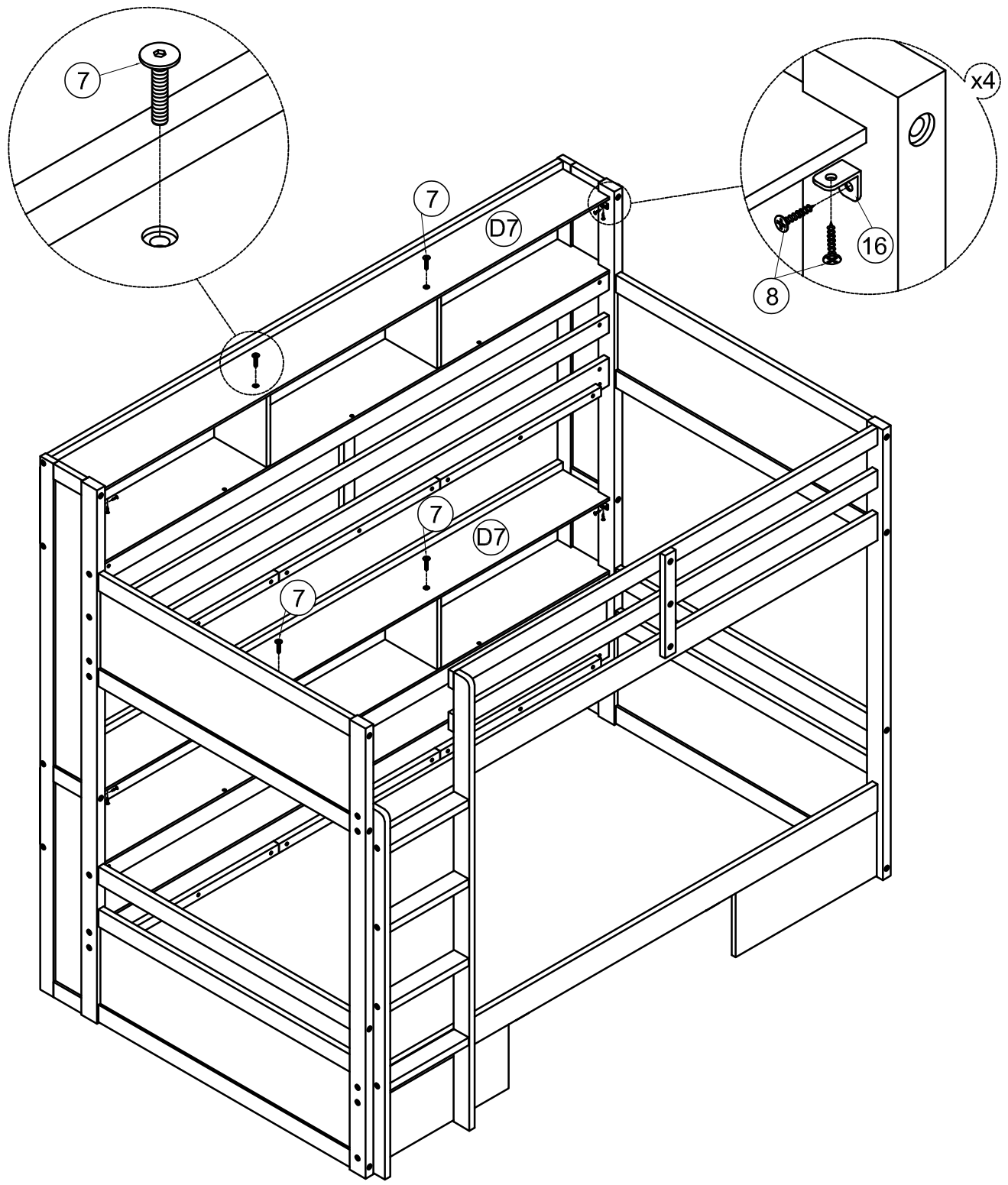


8(pcs)



STEP13: Following below illustration.

8	16	7
		
8(pcs)	4(pcs)	4(pcs)

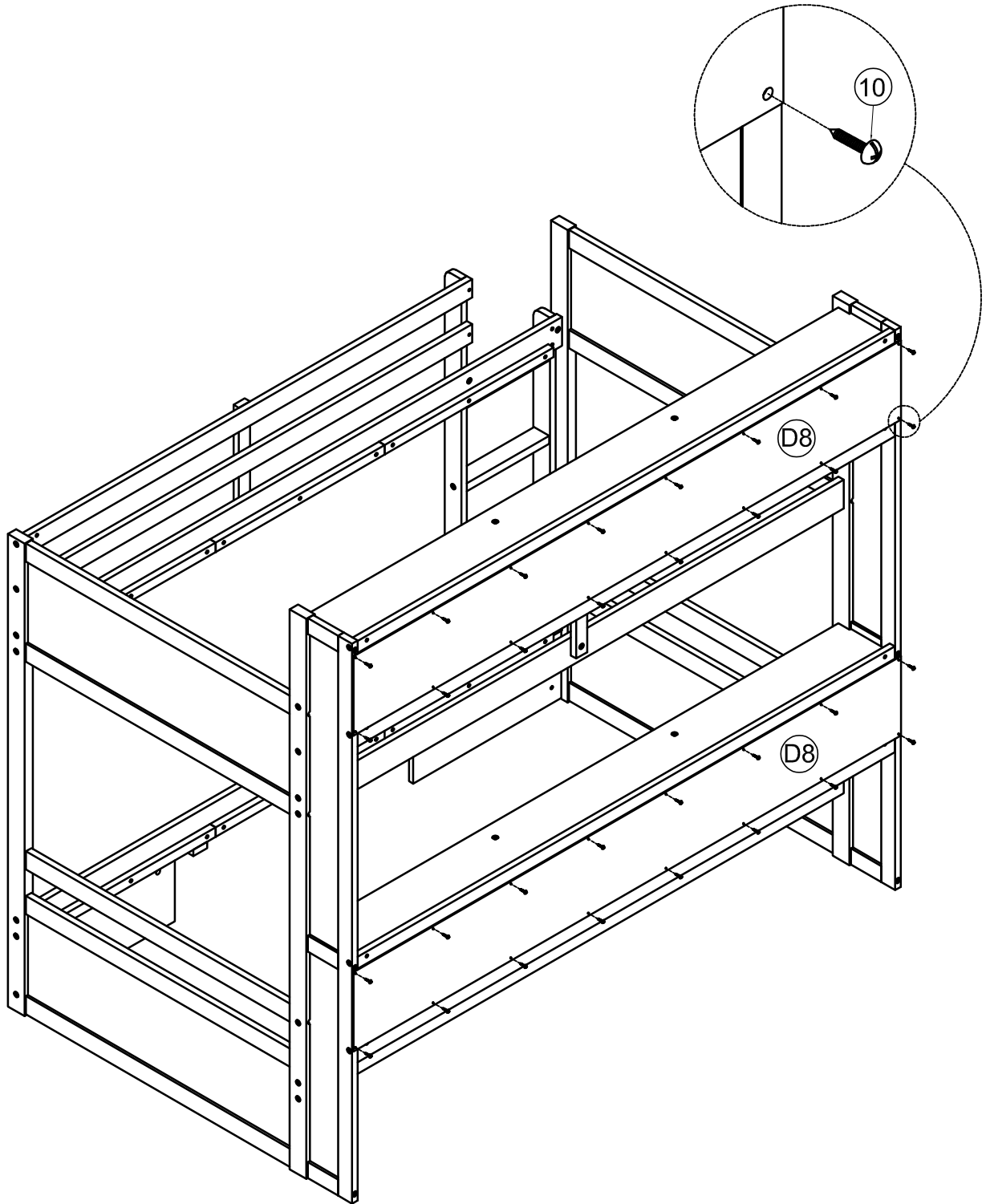


STEP14: Following below illustration.

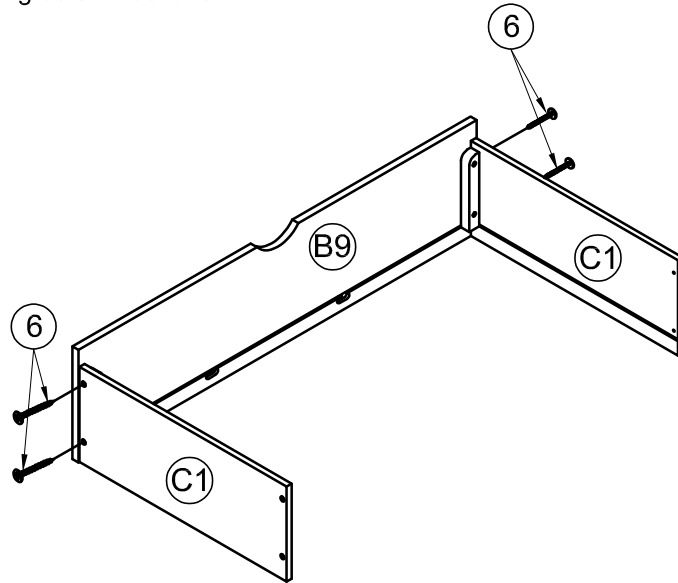
10



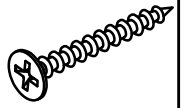
32(pcs)



STEP15: Following below illustration.

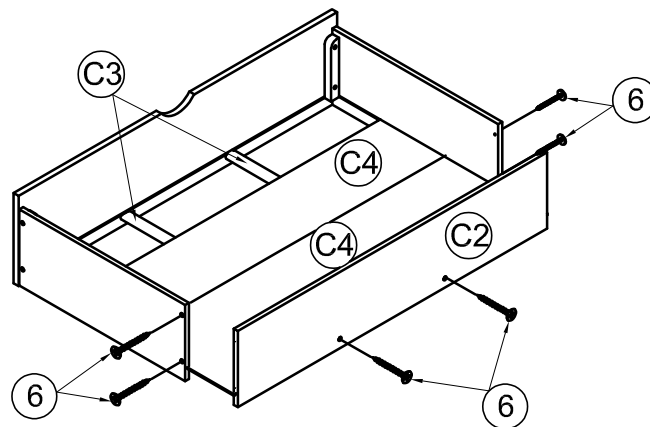


6

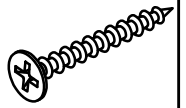


4(pcs)

STEP16: Following below illustration.

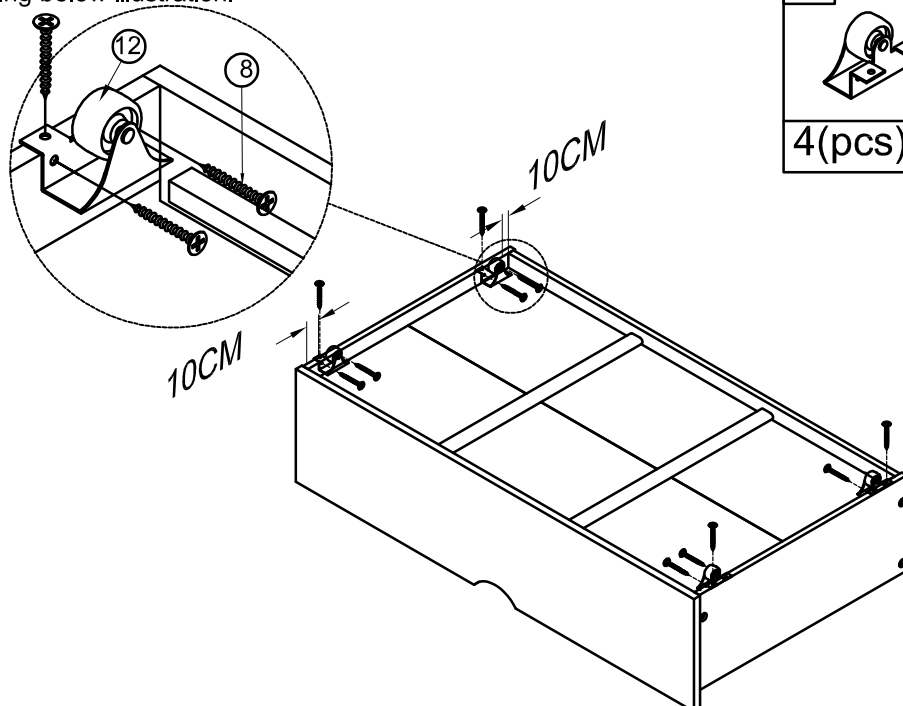


6



6(pcs)

STEP17: Following below illustration.



12



4(pcs)

8



12(pcs)

STEP18: Following below illustration.

6



56(pcs)

