

# ASSEMBLY INSTRUCTIONS

**Please read instructions carefully**



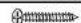

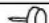
Remove all wrapping materials, staples and packing straps from the carton. Refer to Parts List and Hardware List and ensure they are complete before you start assembling. Place all wooden parts on a clean, flat and soft surface (e.g carpet or rug) to prevent parts from being scratched.

- CAUTIONS:** 1) DO NOT FULLY TIGHTEN BOLTS AND NUTS UNTIL ALL PARTS HAVE BEEN ASSEMBLED.  
 2) DO NOT OVER-TIGHTEN BOLTS AND NUTS AS IT MAY DAMAGE THE SCREW RHREAD.  
 3) KEEP ALL HARDWARE PARTS OUT OF REACH OF CHILDREN.

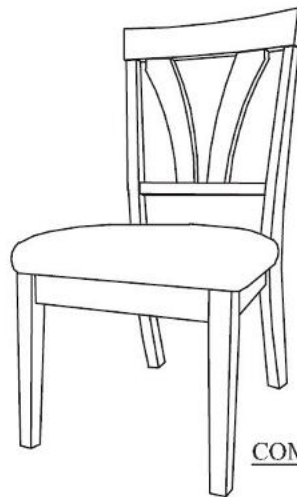
**PARTS LIST (FOR 4 NOS. CHAIRS)**

NO.	COMPONENT	QTY.
P1	CHAIR BACK	4
P2	SIDE RAILS	8
P3	FRONT FRAME	4
P4	CUSHION SEAT	4

**HARDWARE LIST (FOR 4 NOS. OF CHAIRS)**

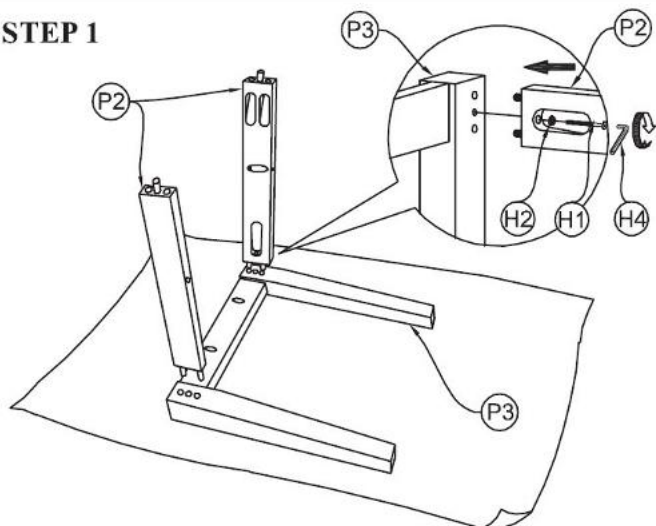
NO.	DESCRIPTION	QTY.	EXTRA
H1	JCBC SCREW M6 X 50 	24	1
H2	SPRING WASHER M6 X 13MM 	24	2
H3	SCREW M4 X 32 	16	2
H4	ALLEN KEY 	1	
H5	NAIL LEG 	16	2

\*Extra Hardware For Spare Use

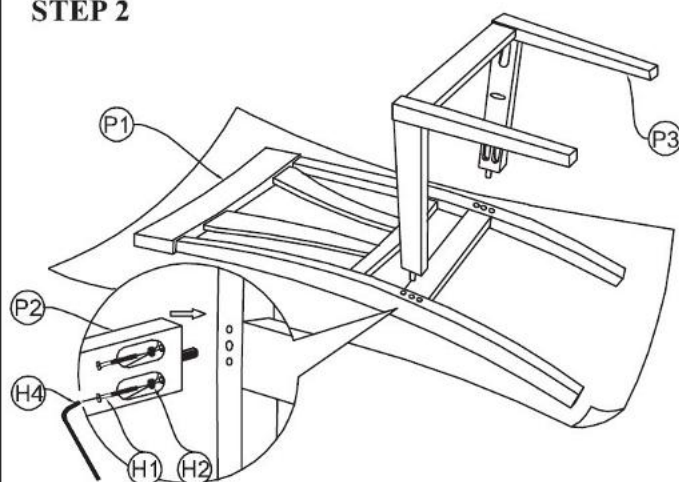


COMPLETE ASSEMBLY

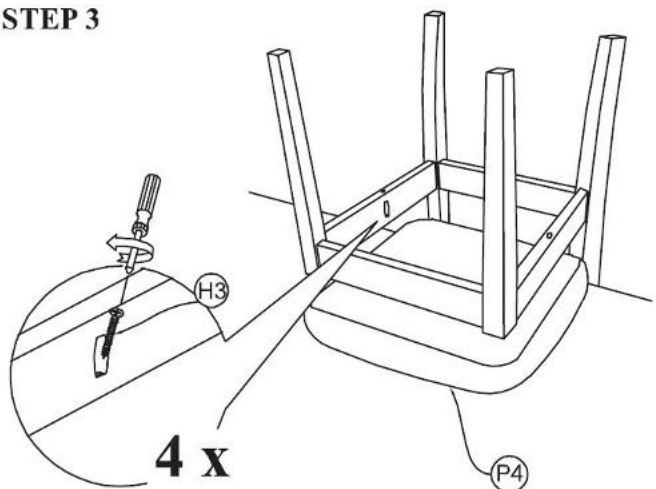
**STEP 1**



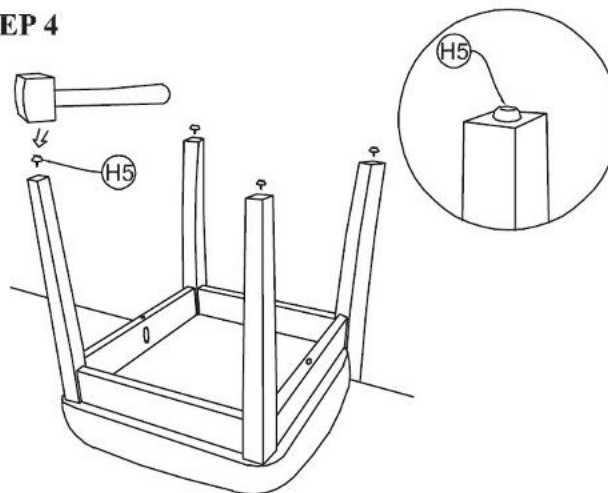
**STEP 2**



**STEP 3**



**STEP 4**



**CARE AND MAINTENANCE**

- SAFETY** - To avoid any risk of suffocation to children and animals, dispose off plastic bags immediately.  
**CLEANING** - Clean with damp cloth and mild detergent. Do not use bleach or abrasive products.  
**FITTINGS** - Tighten bolts and nuts from time to time to ensure all parts of product are securely fitted.  
 If any of the components are damaged or broken they should be removed from service.  
 Not for commercial use.