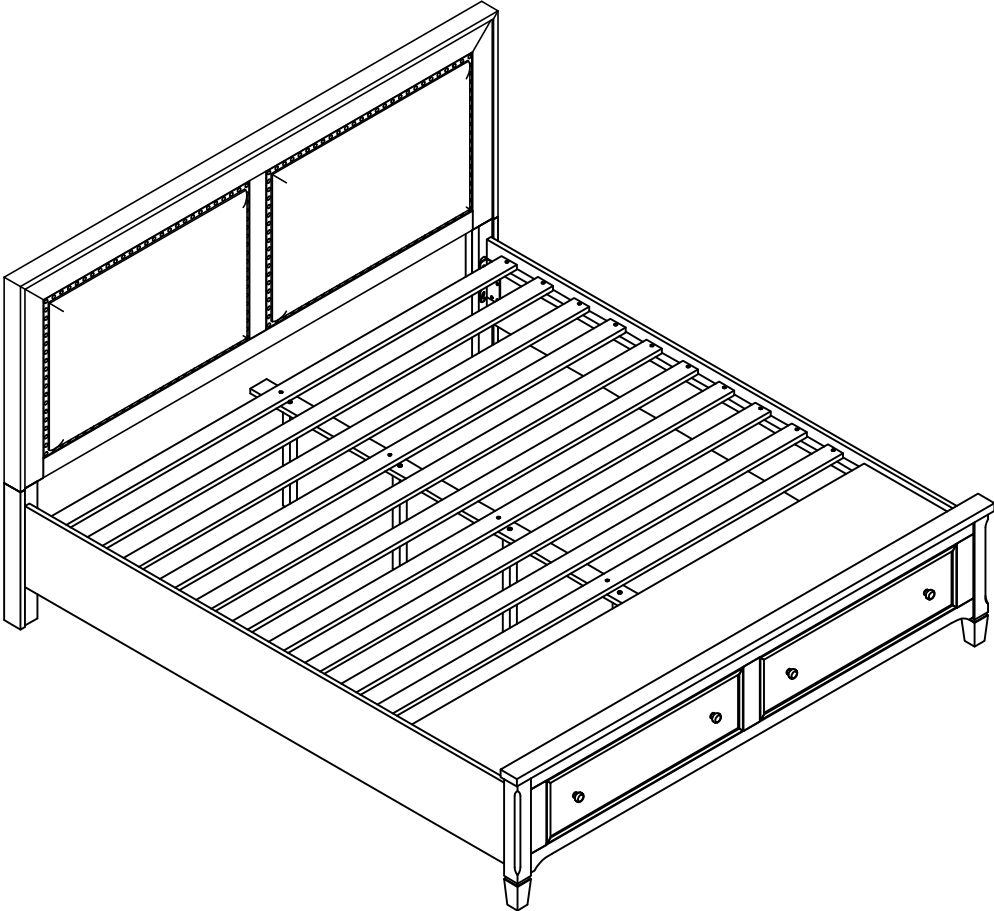


ASSEMBLY INSTRUCTIONS



TOOLS REQUIRED



Allen Wrench

(Included)



Phillips Screwdriver

(Not Included)



3 - People Recommended

ASSEMBLY RATING



EASY —————> DIFFICULT

The Assembly Rating is a 5-point system showing the level of effort needed to assemble a specific product.

Thank you for your purchase!

We hope you enjoy this new addition to your home for many years to come.

Our commitment to providing quality products does not simply end when you purchase our product. We fully stand behind our products from start to finish. Our customer service department is available and can help with assembly questions as well as, if necessary, replacing damaged or missing parts. To help expedite our service, please have these assembly instructions readily available, along with your order receipt.



CHECK BEFORE STARTING

Are you missing anything?

Double-check all parts, hardware and accessories listed on Page 6 are accounted for.

Check out our Quick Tips!

We recommend reviewing the pre-assembly handouts. Even experts need a refresher now and then!

Should we send any replacements?

Are there any irregularities or flaws in the parts? We can send replacements!

Prep Time!

Please review the assembly instructions and all diagrams prior to assembling. Arrange parts as recommended on Page 7 and group identical hardware together to make assembling easier.

PRE ASSEMBLY INTRODUCTION

We understand building ready-to-assemble furniture can be a challenging experience for some. To help avoid confusion, we have provided some helpful tips that may speed up the process.



Teamwork

ALWAYS have at least two people to help with transporting and assembling the product to avoid potential injury and/or damage.



Suitable Location

Assembling near the area of the intended location is highly recommended.



Sufficient Space

Make sure you have enough space to move around during the assembly.



Avoid Scratches

Use cardboard, blankets or a carpeted area while assembling furniture to prevent scratches.



Flat Surface

Make sure the furniture rests on a flat and level surface with each leg evenly touching the floor.

ASSEMBLY AND CARE ADVICE



**FAILURE TO FOLLOW THE GUIDELINES BELOW MAY
RESULT IN INJURY AND/OR PROPERTY DAMAGE.**



Position each part correctly
and insert screws or bolts into
their respective holes.



Turn clockwise to tighten and
only tighten when step is
completed or when instructed
to do so.



Use the appropriate hand tools
or power tools for assembly.
Select steps, such as tightening
screws and/or bolts, may require
hand tools to avoid causing
damage during assembly.



Save the instructions and store
any supplied tools for later
maintenance.



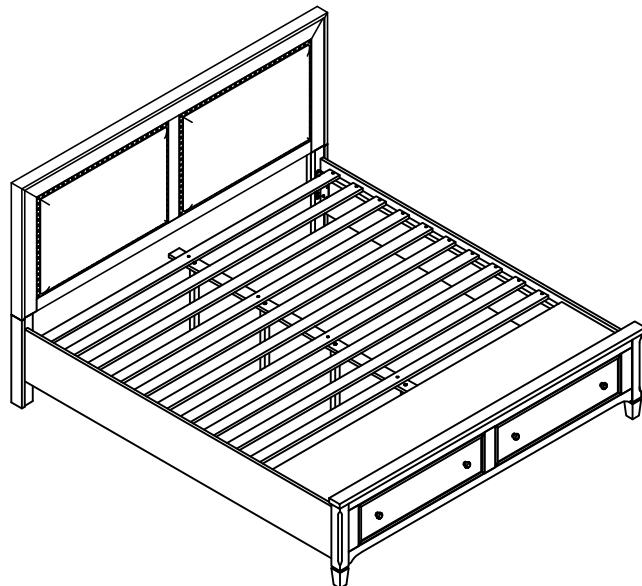
After two weeks, check and
tighten any loose hardware and
repeat again every six months
thereafter.

IT IS THE USER'S RESPONSIBILITY TO MAINTAIN THE FURNITURE. THE HARDWARE MAY LOOSEN OVER TIME AND MAY CAUSE THE FURNITURE TO BE WOBBLY AND UNABLE TO SUPPORT ITS INTENDED WEIGHT CAPACITY. THIS MAY LEAD TO COLLAPSE AND MAY CAUSE SERIOUS INJURY.

BED

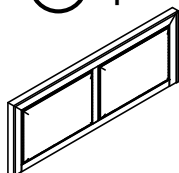


- Please keep instructions for future reference.
- Check the quantity and irregularity of parts and hardware before you start.



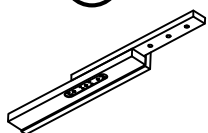
PARTS

#1 1pc



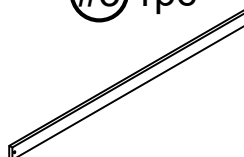
Headboard

#2 2pcs



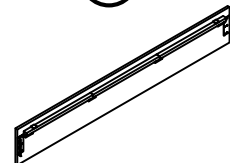
Headboard Leg (L&R)

#3 1pc



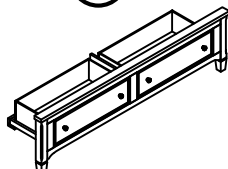
Headboard cross bar

#4 2pcs



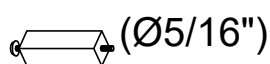
Rail

#5 1pc



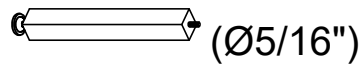
Footboard

#6 2pcs



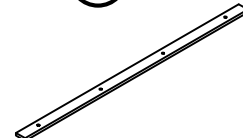
Drawer support leg
160 x 30 x 30mm

#7 4pcs



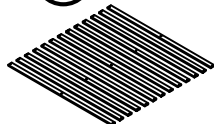
Slat support leg
370 x 30 x 30mm

#8 1pc



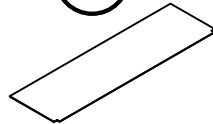
Center Rail

#9 1Set



Slat (13pcs)

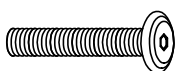
#10 1pc



Conceal Panel

HARDWARE

#A 8pcs



Bolt 5/16" x 1-3/8"

#B 20pcs



Lock washer
Ø5/16"

#C 20pcs



Flat washer
Ø5/16

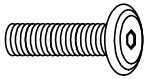
#D 2pcs



Allen wrench M4

HARDWARE

#E 12pcs



Bolt 5/16" x 1"

#F 30pcs



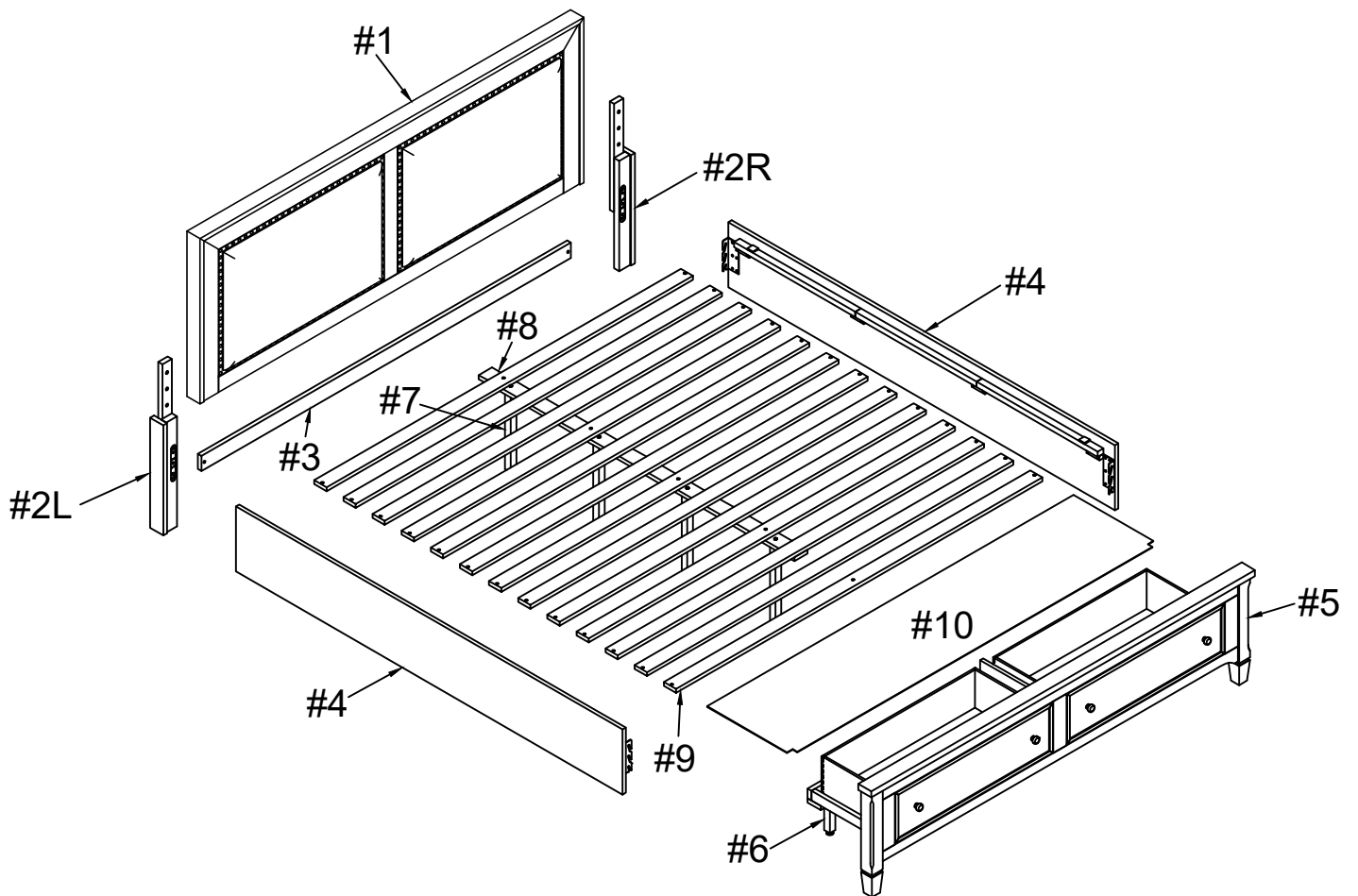
Screw #4 x 30mm

#G 6pcs

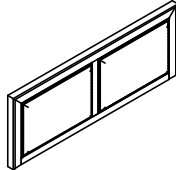




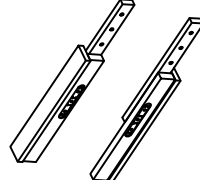
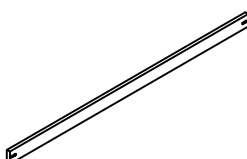



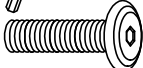
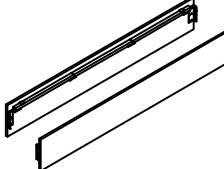
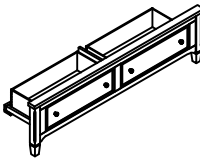


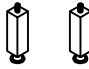
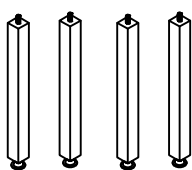
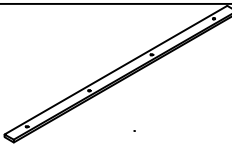
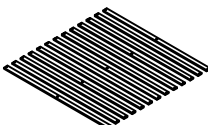
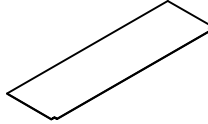


Screw #4 x 10mm

Exploded View



FOA7173Q/EK is packed in 3 cases

Carton	Disignation	Part	Hardware
FOA7173 Q/K-HB	Headboard	#1 	FOA7173Q/K-HB  #A x 8pcs  #B x 8pcs  #Cx 8pcs  #D x 1pc
	Headboard Leg (L&R)	#2 	
	Headboard cross bar	#3 	FOA7173Q/EK-R  #B x12pcs  #Cx12pcs  #D x 1pc  #E x 12pcs
FOA7173 Q/EK-R	Rail	#4 	
FOA7173 Q/K-FB	Footboard	#5 	FOA7173Q/K-FB  #F x 30pcs  #G x 6pcs
	Drawer support leg 160 x 30 x 30mm	#6 	
	Slat support leg 370x 30 x 30mm	#7 	
	Center Rail	#8 	
	Slat (13pcs)	#9 	
	Conceal Panel	#10 	

ASSEMBLY INSTRUCTIONS

1

Part #1 x1pc

Part #2 x2pcs

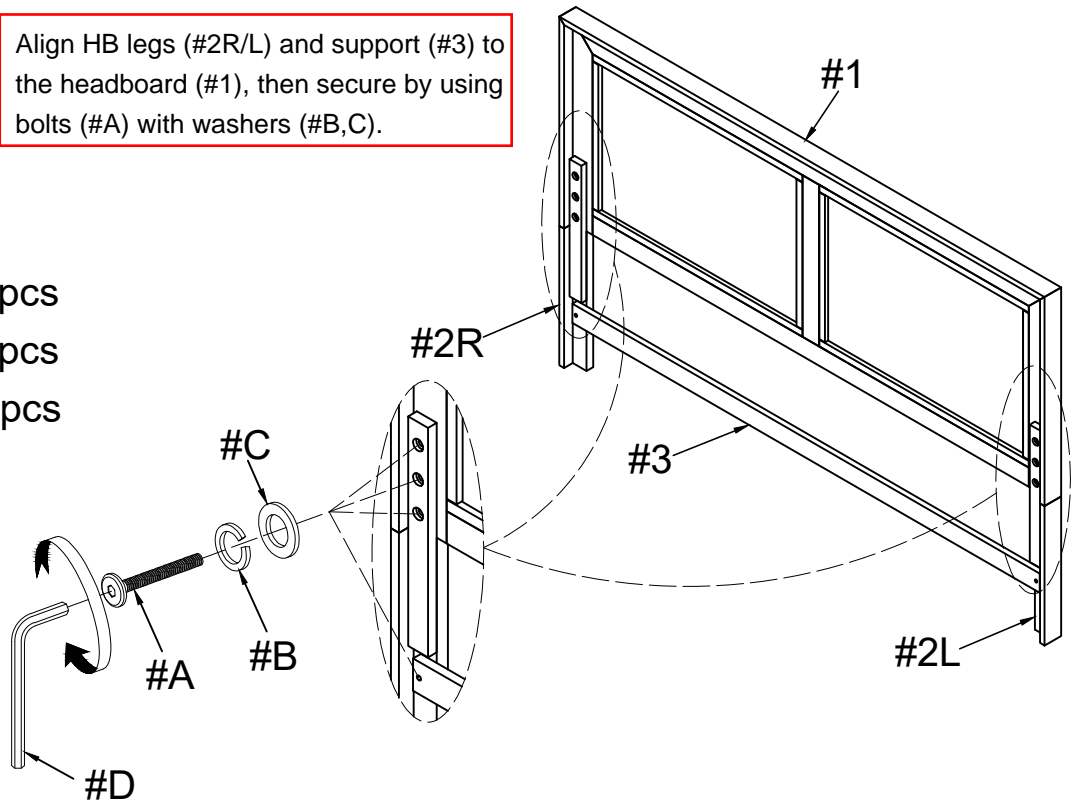
Part #3 x1pc

Hardware #A x8pcs

Hardware #B x8pcs

Hardware #C x8pcs

Align HB legs (#2R/L) and support (#3) to the headboard (#1), then secure by using bolts (#A) with washers (#B,C).

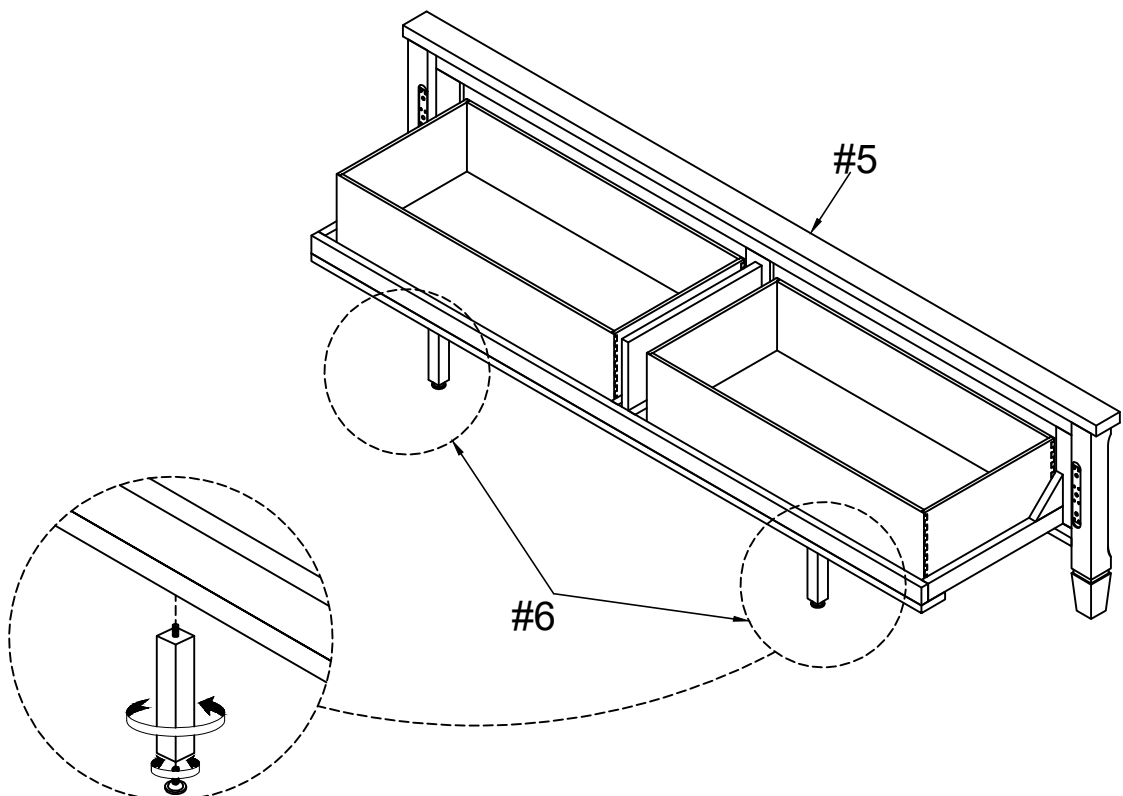


2

Part #5 x1pc

Part #6 x2pcs

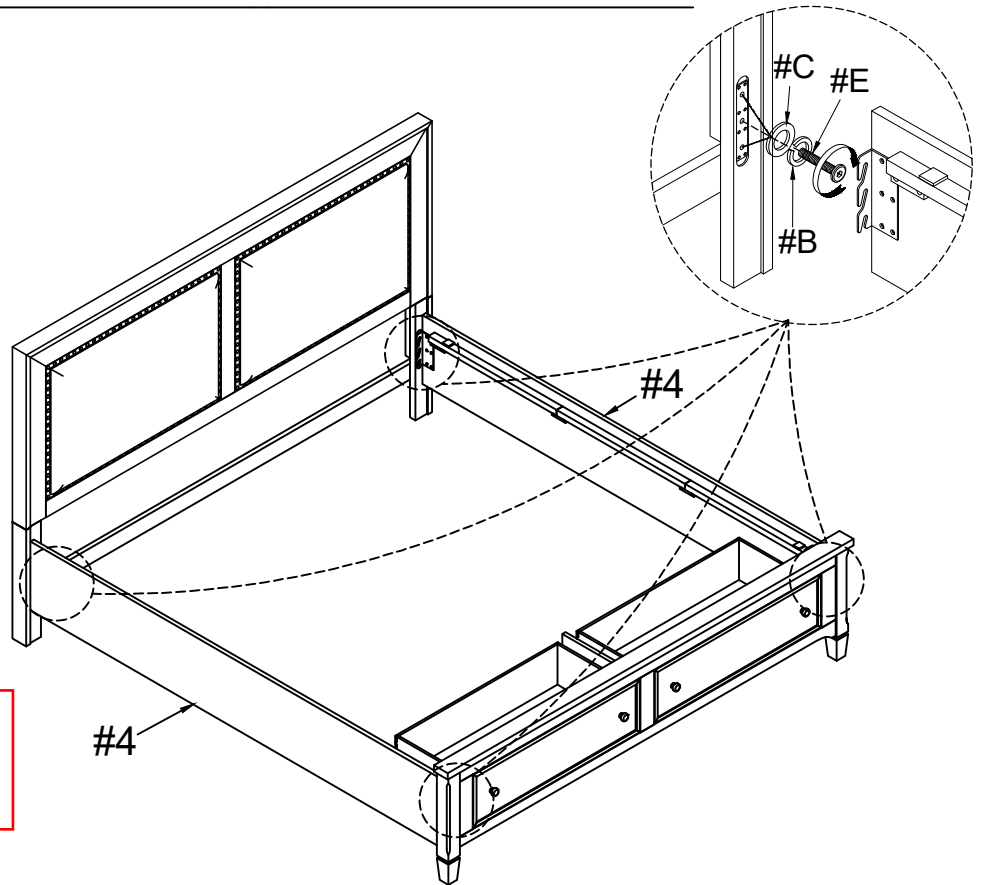
Attach FB support legs (#6) to the bottom of the footboard (#5).



ASSEMBLY INSTRUCTIONS

3

- Part #4 x2pcs
- Hardware #B x12pcs
- Hardware #C x12pcs
- Hardware #E x12pcs

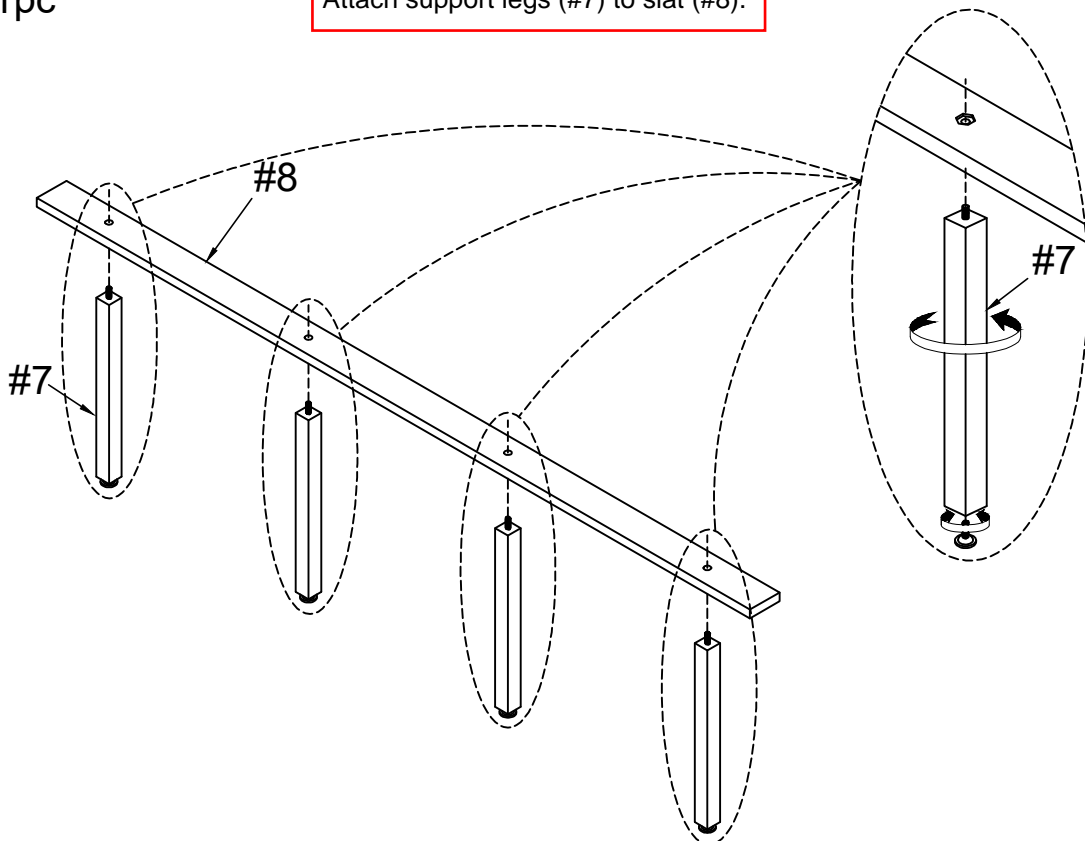


Align side rails (#4) to the headboard and footboard, then secure by using bolts (#E) with washers (#B,C).

4

- Part #7 x4pcs
- Part #8 x1pc

Attach support legs (#7) to slat (#8).



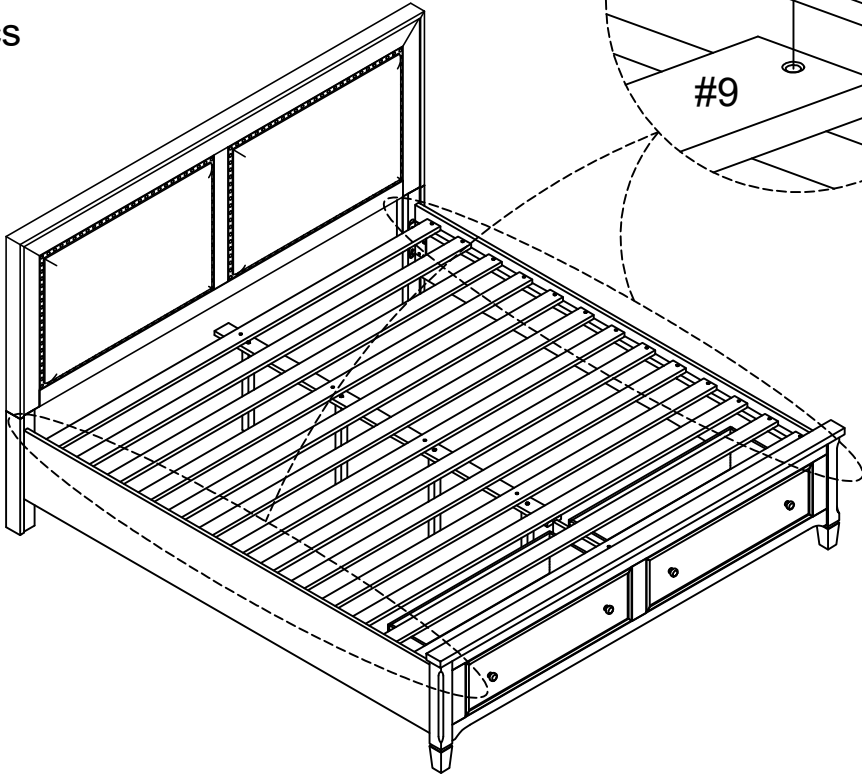
ASSEMBLY INSTRUCTIONS

5

Part (#9) x1Set

Hardware (#F) x26pcs

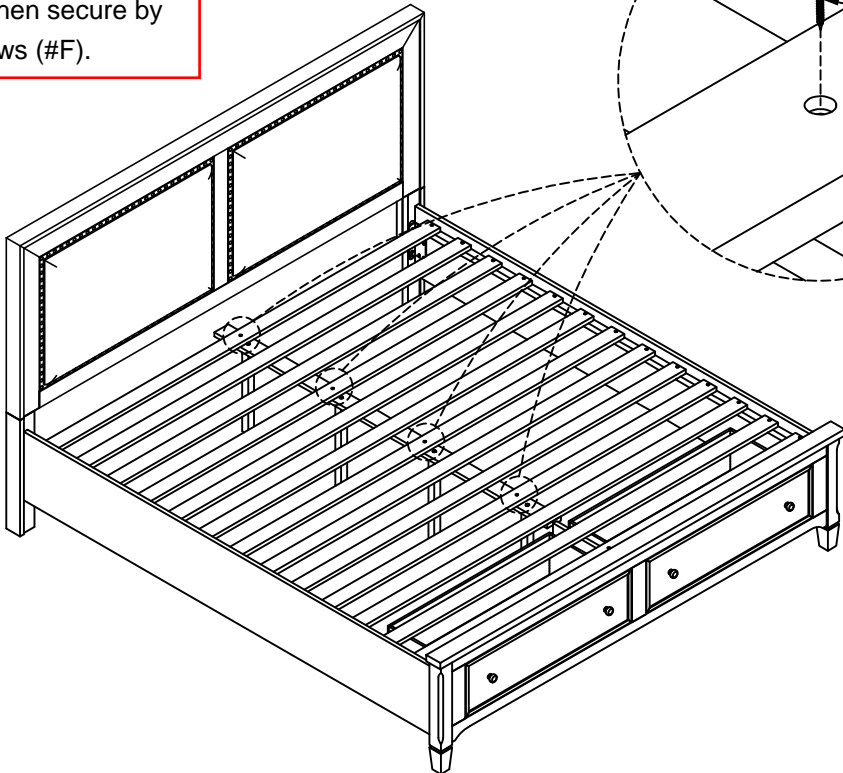
Align slats (#9) to the side rails, then secure by using bolts (#F).



6

Hardware (#F) x4pcs

Align center support slat to the slats, then secure by using screws (#F).

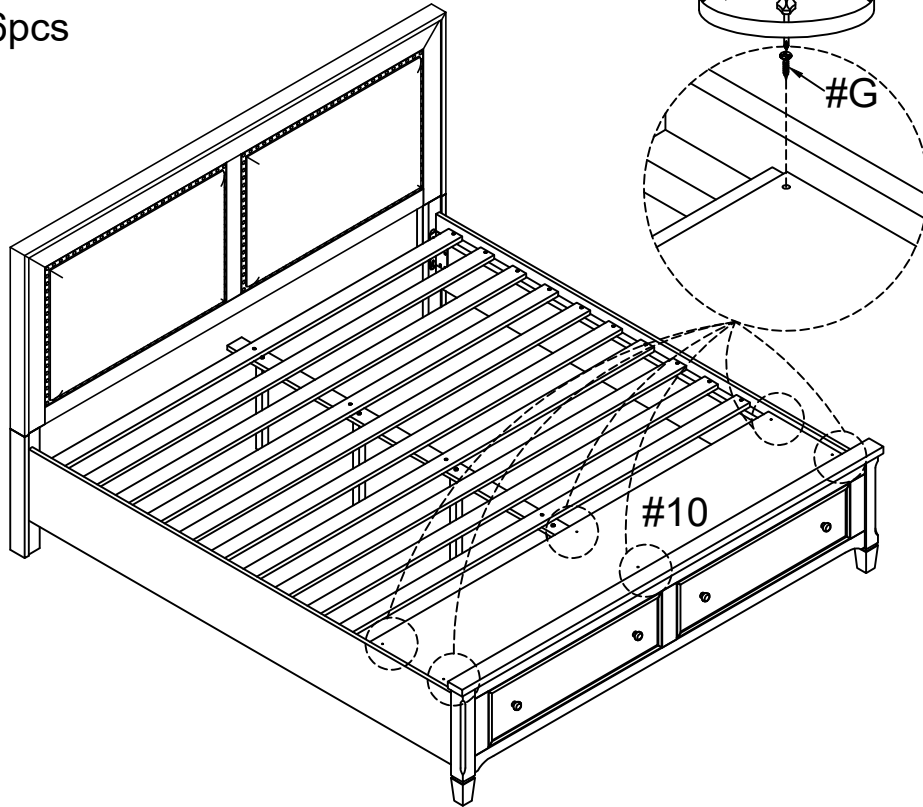


ASSEMBLY INSTRUCTIONS

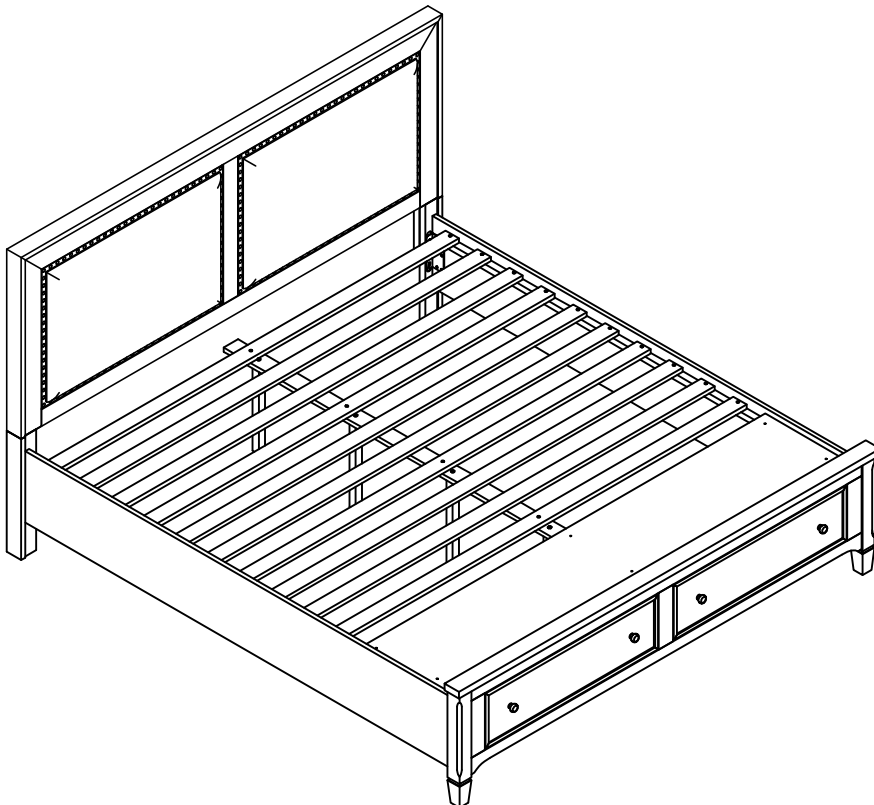
7

Part #10 x1pc
Hardware #G x6pcs

Align cover panel (#10) to the bed, then secure by using screws (#G).



8



ASSEMBLY COMPLETED



Please ensure the furniture rests on an even and flat surface. If the product wobbles or feels loose, double-check all bolts and/or screws are properly tightened and secured.



Keep this handy!

Please retain this instruction manual and any order-related information for future reference.



Lift, don't drag!

To avoid damage to product please always LIFT the product when transporting or adjusting the placement.