

## NOTICE

- \*Please make sure that you have all parts indicated and they are in good condition before you begin assembly of this item. Refer to part list and hardware list below for guidance.
- \*This item should be assembled on a soft surface to prevent scratching the finish during assembly.
- \*This item may require periodic tightening.
- \*If you are having difficulty, our friendly Customer Care team is always here to help.

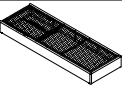
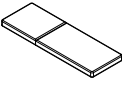
## PREPARATION

- \*Before beginning assembly of product, make sure all parts are present. Compare parts with part contents list and hardware contents list.
- \*If any part is missing or damaged, do not attempt to assemble the product.
- \*Estimated Assembly Time: 10 minutes.

## CARE AND MAINTENANCE

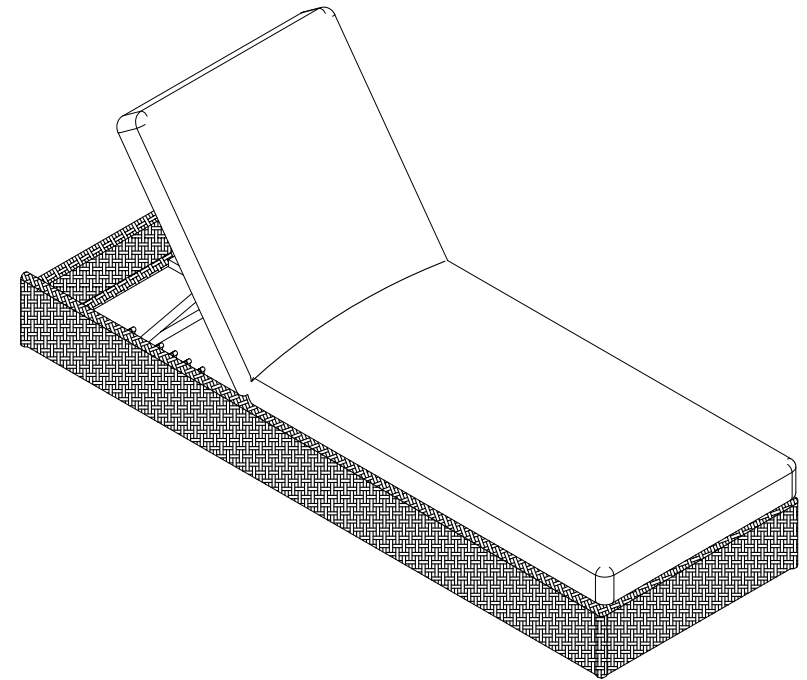
Store outdoor furniture indoors or cover well when not in use. Dust regularly with small brush or vacuum. Spills should be taken care of immediately before they harden or stain with a slightly damp sponge.

## Part List and Hardware List

PIECE	DESCRIPTION	PICTURE	QUANTITY
A	Sunlounger Frame		1x
CSH1	Cushion Sunlounger		1x

# Owner Manual

PRODUCT DIMENSIONS:  
74.80"L x 25.59"W x 12.60"H



Weight capacity : 275 Lbs (single seat)  
550 Lbs (two person seat)

Warning : Do not stand on sunlounger  
Warning : Do not over torque bolts/screws

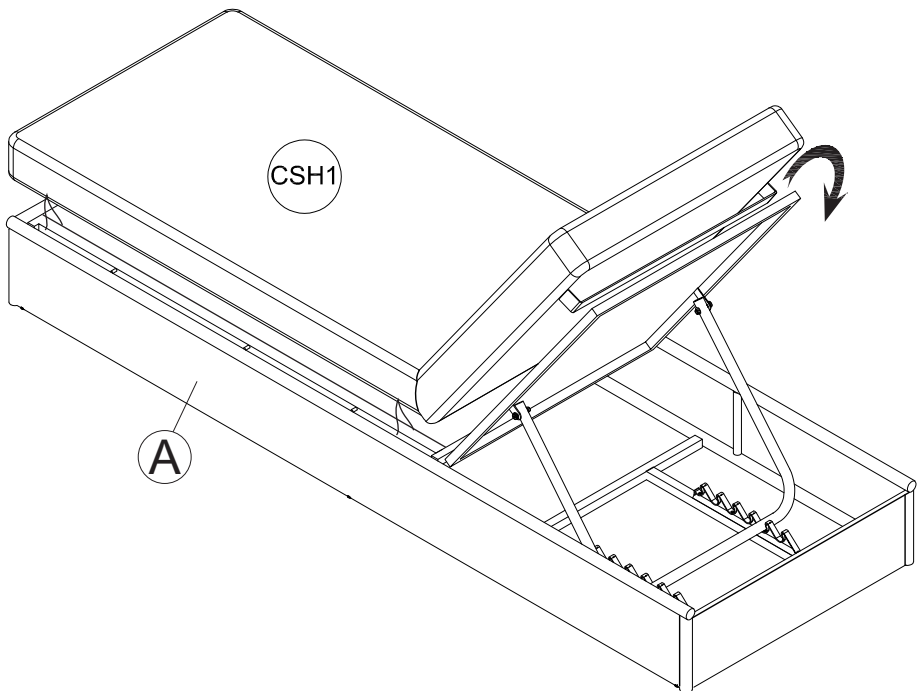
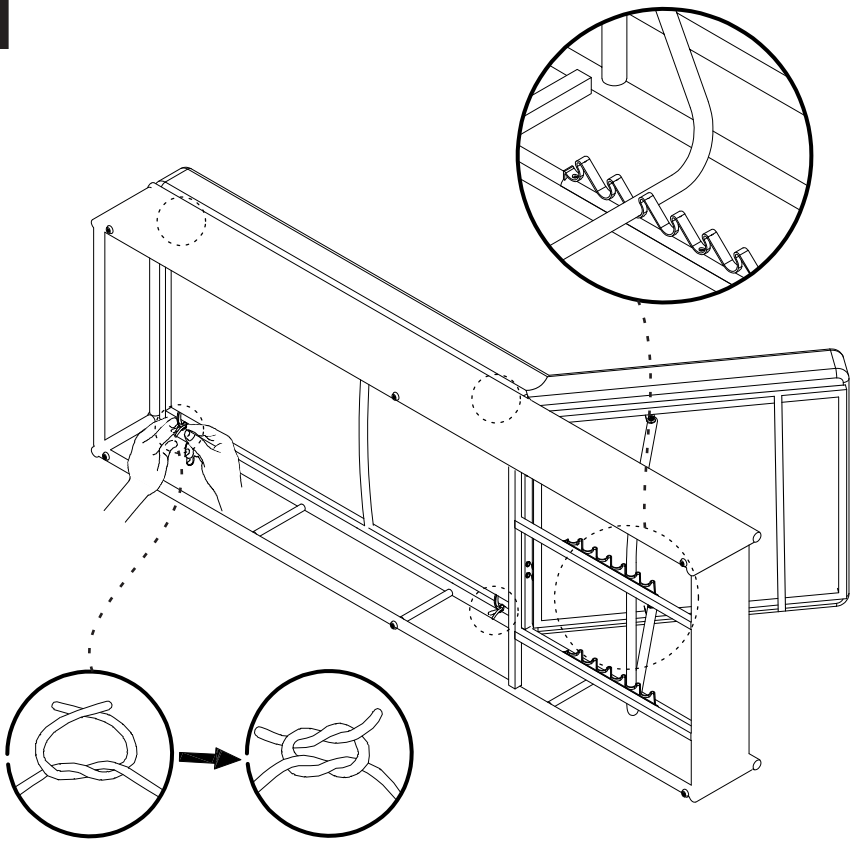
# PREPARATION

\*Before beginning assembly of product, make sure all parts are present. Compare parts with part contents list and hardware contents list.

\*If any part is missing or damaged, do not attempt to assemble the product.

\*Estimated Assembly Time : 10 minutes.

\*If you are having difficulty, our friendly Customer care team is always here to help.

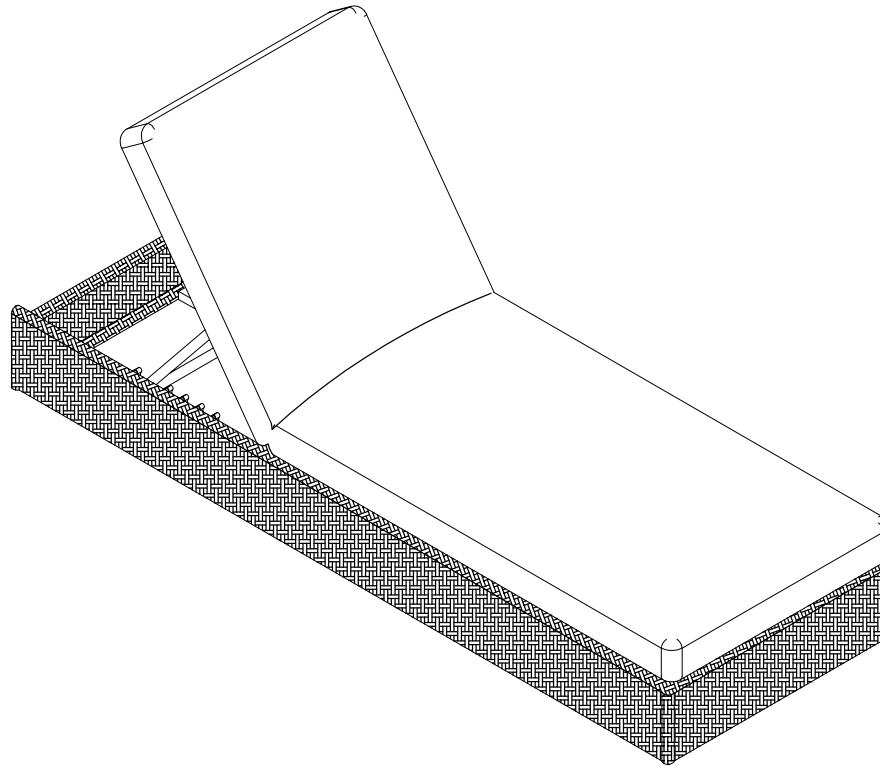
<p>1</p> 	<p>2</p> 
<p>STEP 1: Place the Cushion Sunlounger (CSH1) on the Sunlounger.</p>	<p>STEP 2: Stick string to Sunlounger Frame (A) to finish sunlounge. Life the backrest up and put it on each position of fish bone plastic behind.</p>

## PREPARATION

---

- \*Before beginning assembly of product, make sure all parts are present. Compare parts with part contents list and hardware contents list.
- \*If any part is missing or damaged, do not attempt to assemble the product.
- \*Estimated Assembly Time : 10 minutes.
- \*If you are having difficulty, our friendly Customer care team is always here to help.

3



STEP 3: Finishing for using