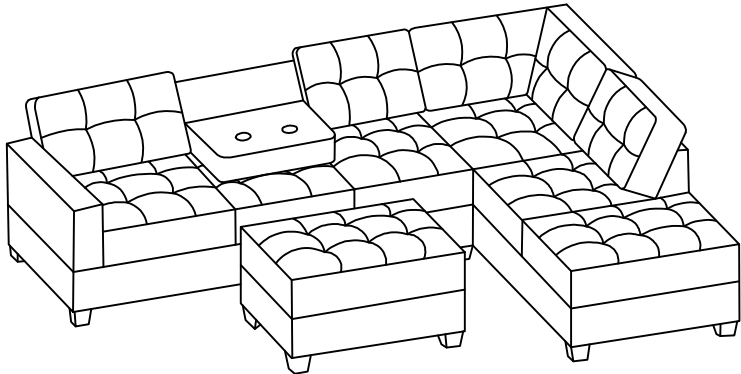


ASSEMBLY INSTRUCTION

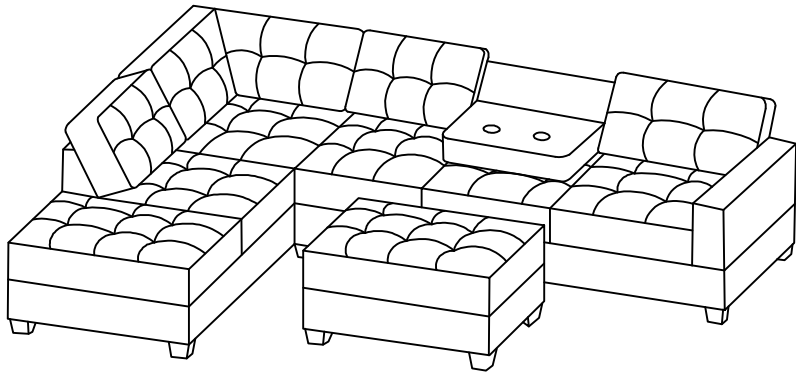
ITEM NO.: Reversible Chaise
Reversible 3-Seat with Drop-Down Cup Holders
Ottoman W/Storage

Sectional can be assembled with right side facing chaise (configuration #1) or a left side facing chaise (configuration #2). See instructions below.

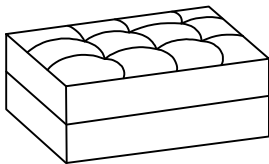
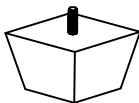
Configuration #1

















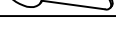
Configuration #2



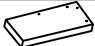









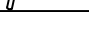
OTTOMAN COMPONENT LIST

NO.	DRAWING	QTY	DESCRIPTION
A		1	OTTOMAN
B		4	PLASTIC LEGS

OTTOMAN COMPONENT LIST

NO.	DRAWING	QTY	DESCRIPTION
A		1	CHAISE SEAT
B		1	CHAISE BACK REST
C		1	BACK CORNER
D		1	RSF CHAISE BACK REST
E1		1	REAR SEAT CUSHION
E2		1	MIDDLE SEAT CUSHION
E3		1	FRONT SEAT CUSHION
F1		1	FRONT BACK CUSHION
F2		1	MIDDLE BACK CUSHION
F3		1	REAR BACK CUSHION
G		4	PLASTIC LEG 100*100*80MM
H		4	PLAT WASHER Ø5/16' X 22MM
I		4	NUT Ø5/16" X 12MM
J		4	BOLT Ø5/16" X 90MM
K		1	OPEN WRENCH

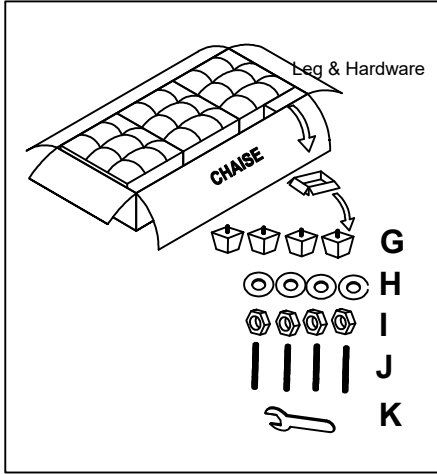
3-SEATER COMPONENT LIST

NO.	DRAWING	QTY	DESCRIPTION
M		1	3-SEATER SEAT
N		1	BACK REST WITH MIDDLE BACK CUSHION
O		1	ARM
P		3	3-SEATER SEAT CUSHION
Q		2	3-SEATER BACK CUSHION
G		4	PLASTIC LEG 100*100*80MM
H		5	PLAT WASHER Ø5/16' X 22MM
I		5	NUT Ø5/16" X 12MM
J		5	BOLT Ø5/16" X 90MM
K		1	OPEN WRENCH
L		2	METAL CONNECTOR

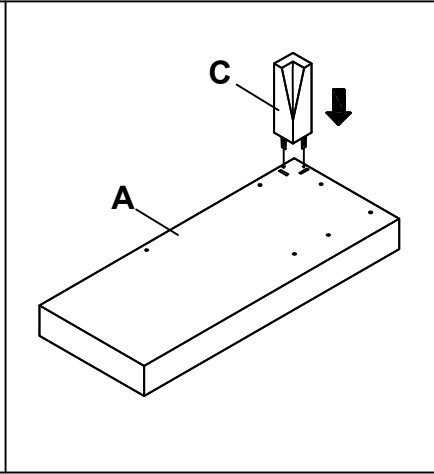
Please follow the drawings below to assemble the item.

Legs and hardware are stored in small carton box as shown in drawings, please take out for assembly.

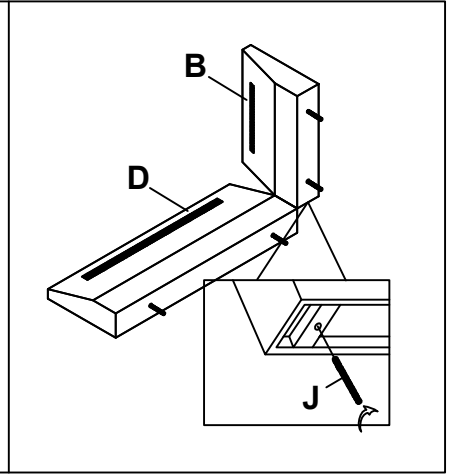
Step 1



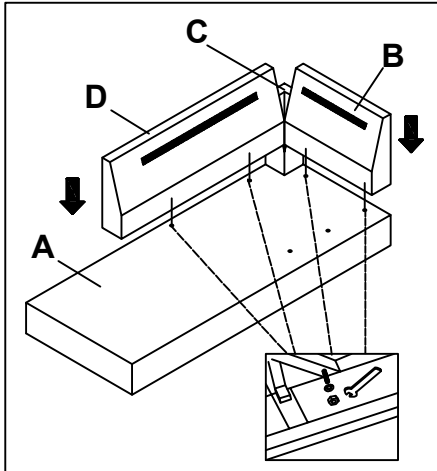
Step 2



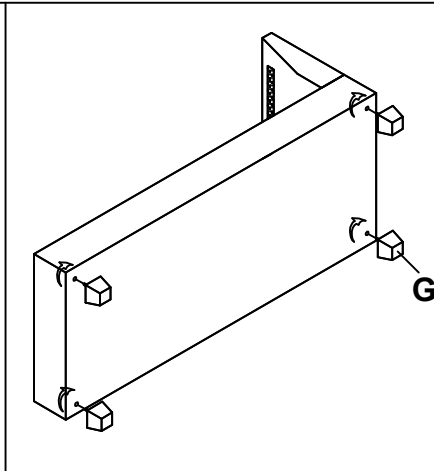
Step 3



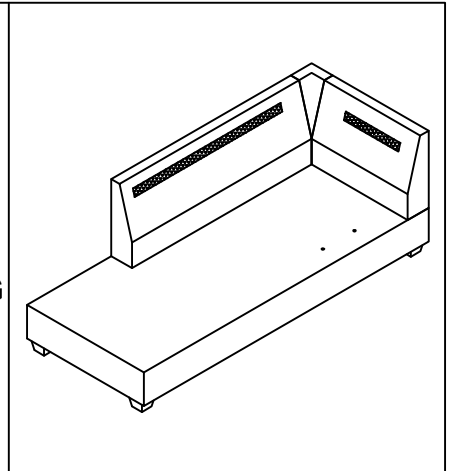
Step 4



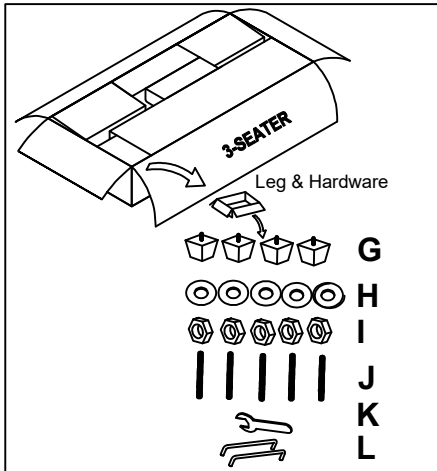
Step 5



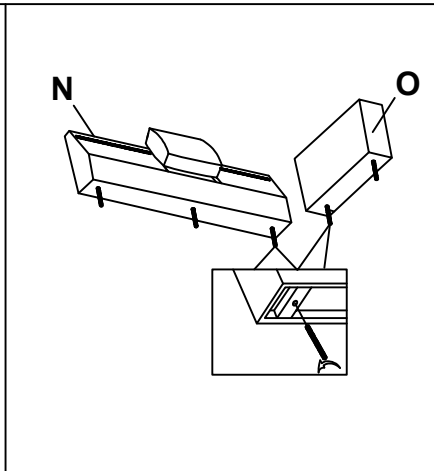
Step 6



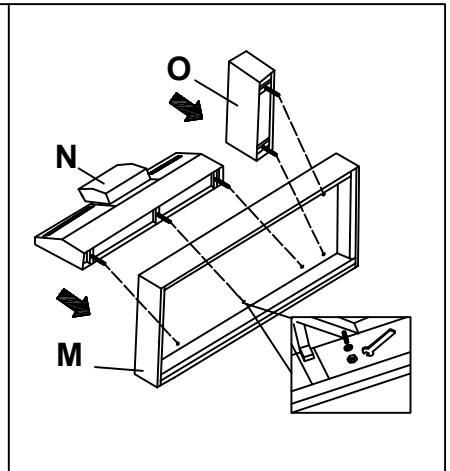
Step 7



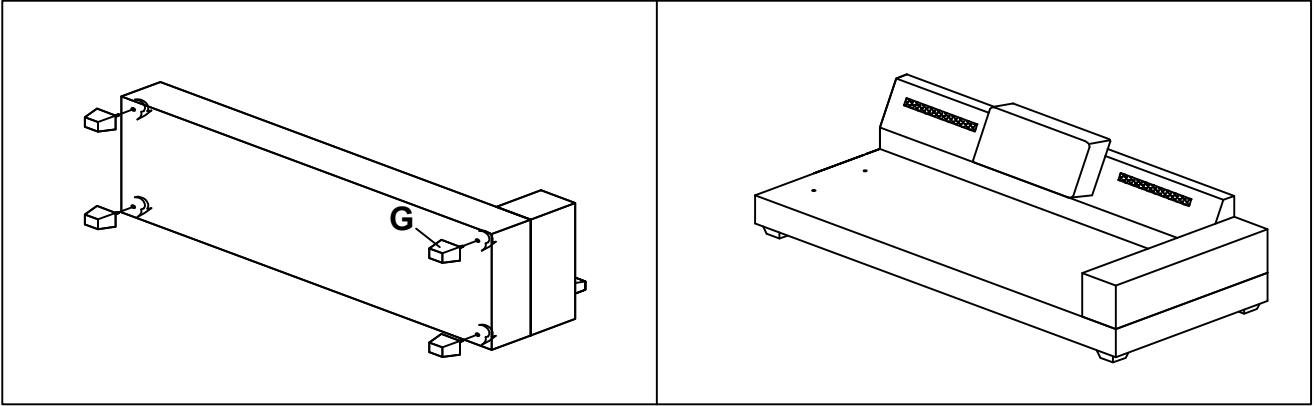
Step 8



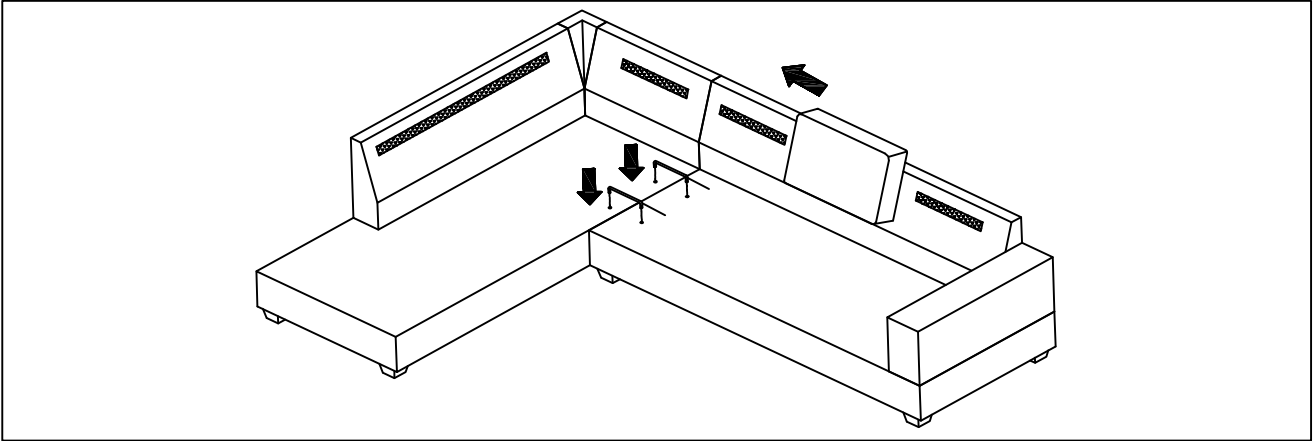
Step 9



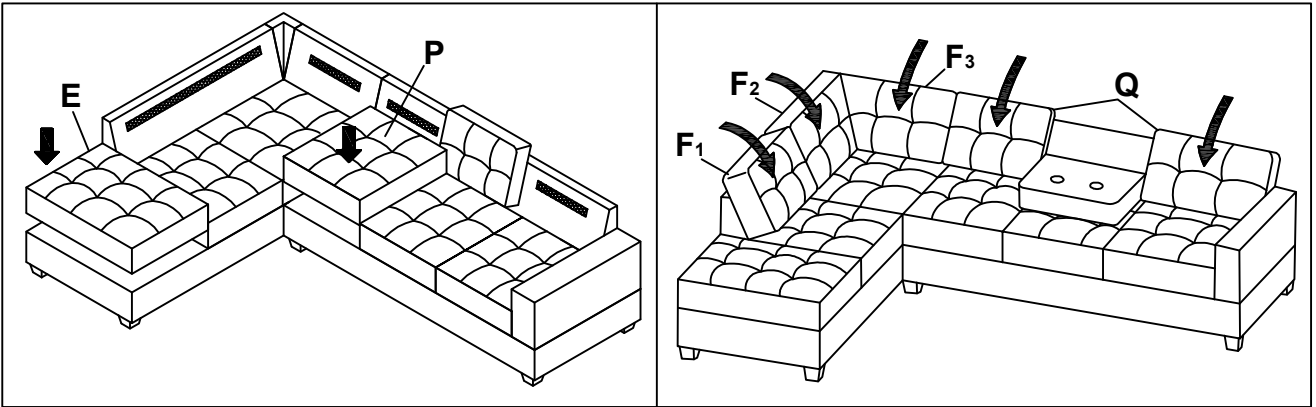
Step 1



Step 1



Step 1



Step 1

