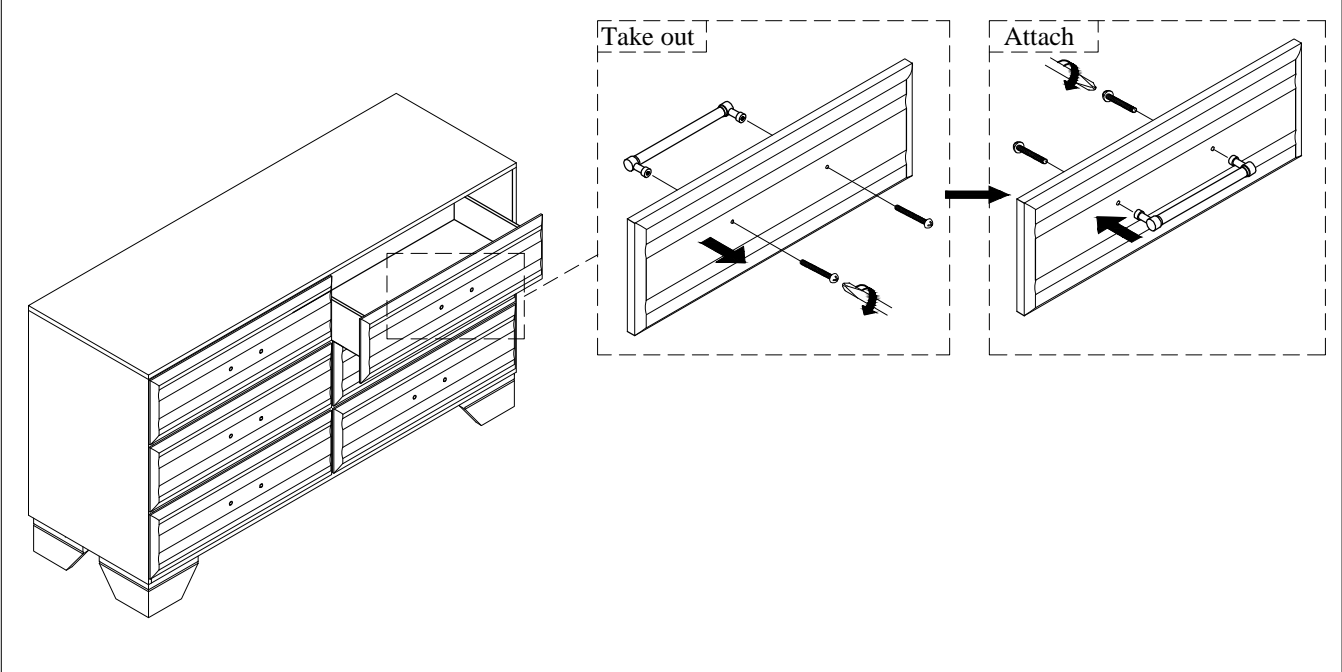


ASSEMBLY INSTRUCTION

Step 1.



Step 2.

