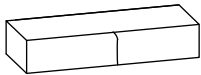


USE AND MAINTENANCE

- Use on level surfaces only
- Because this product needs assembly, it is prone to working itself loose from time to time depending on the use. Please take the time to check that all connections are still tight and working properly for safety.
- Only clean using a damp cloth and mild detergent, do not use bleach or abrasive cleaners.

Contemporary Oversized Genuine Leather Sofa

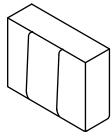
PART LIST



1 - Sofa Base x1



2 - Sofa Back x1



3 - Armrest x2



4 - Cushion x3



5 - Back Cushion x3



6 - Leg x4

HARDWARE



A - m8x50 x8

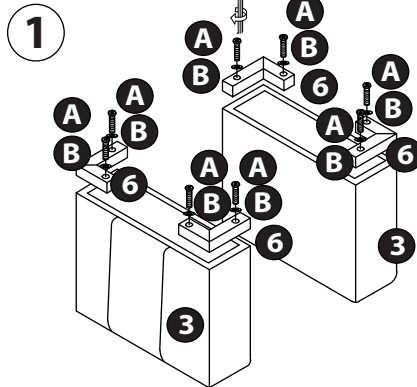


B - M8 x8

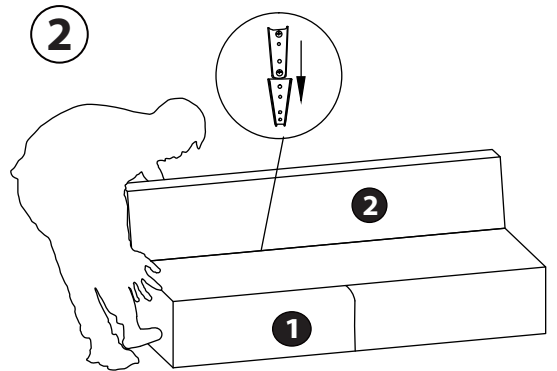


C - Hex Screwdriver x1

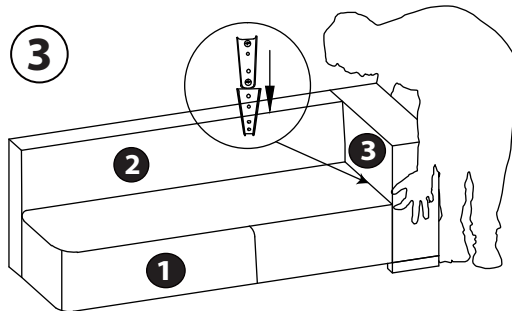
Assembly Instructions



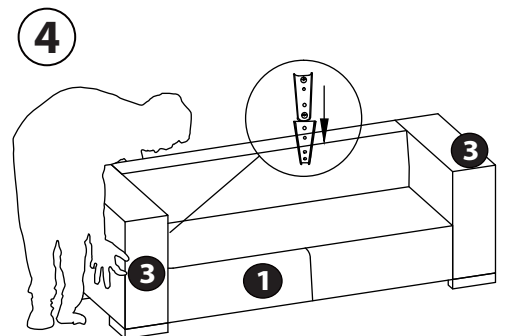
Select 3 (x2), 6 (x4), A (x8), B (x8) and C (x1).
Insert 6 (x2) into 3 with A (x4) and B (x4).
Repeat for the other 3.



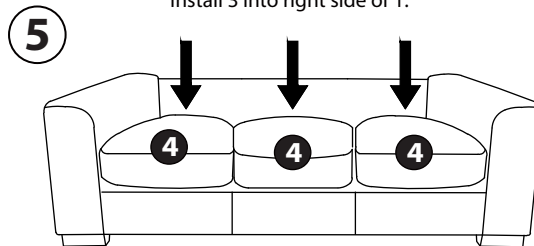
Select 1(x1) and 2(x1). Install 2 into 1.



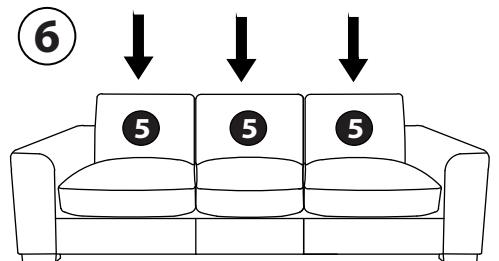
Install 3 into right side of 1.



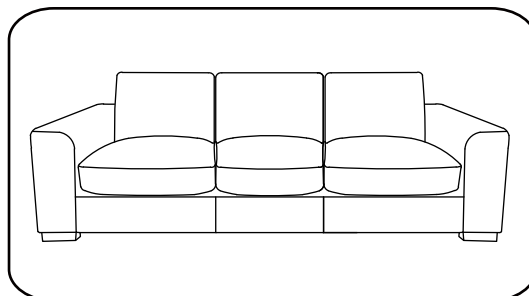
Install 3 into left side of 1.



Put 4(x3) on 1.



Put 5(x3) on Sofa.



Congratulations! Setup of your new Contemporary Oversized Genuine Leather Sofa is Complete!
Keep these instructions for future reference.

If you need help or have damaged or missing parts, contact customer service Made in China

Warning: Replacement parts may be obtained from any of our dealers - All Rights Reserved.