

**SWIVEL CHAIR**

1



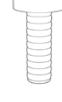
Ax1



Bx1

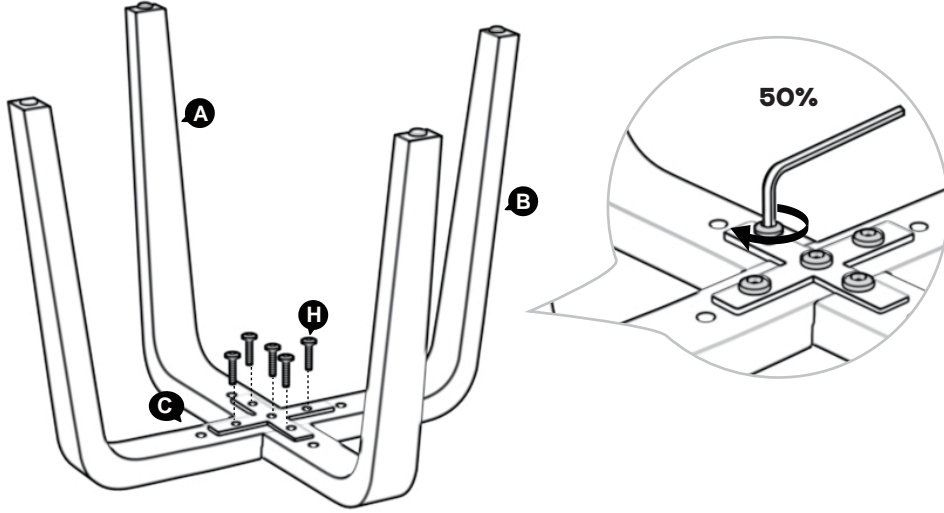


Cx1



Hx5

Noted:  
Tight the screws  
(H) 50% in Step 1



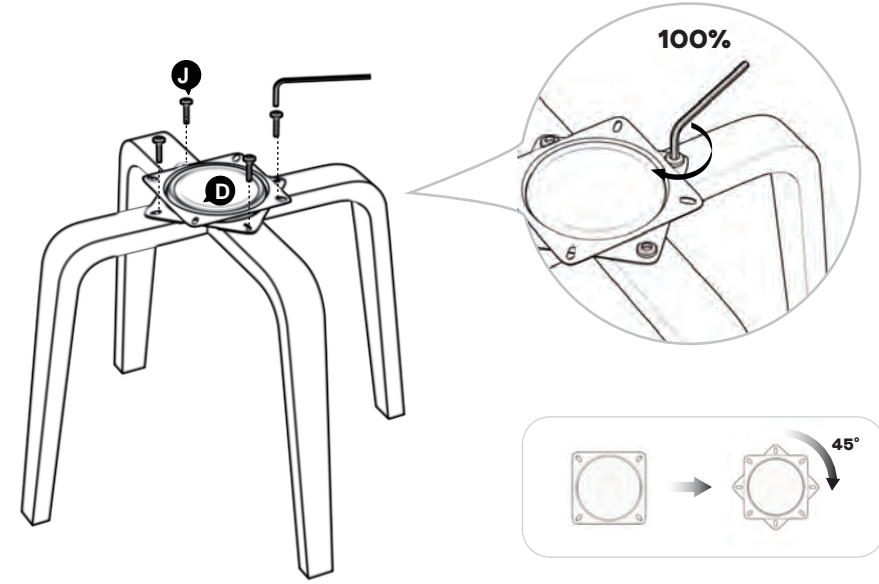
2



Dx1

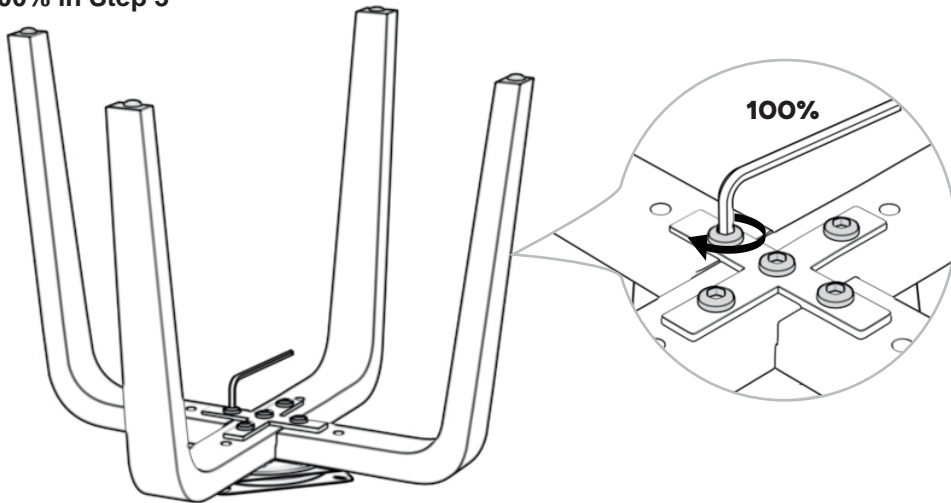


Jx4



3

Noted:  
Tight the screws(H)  
100% in Step 3



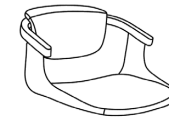
4



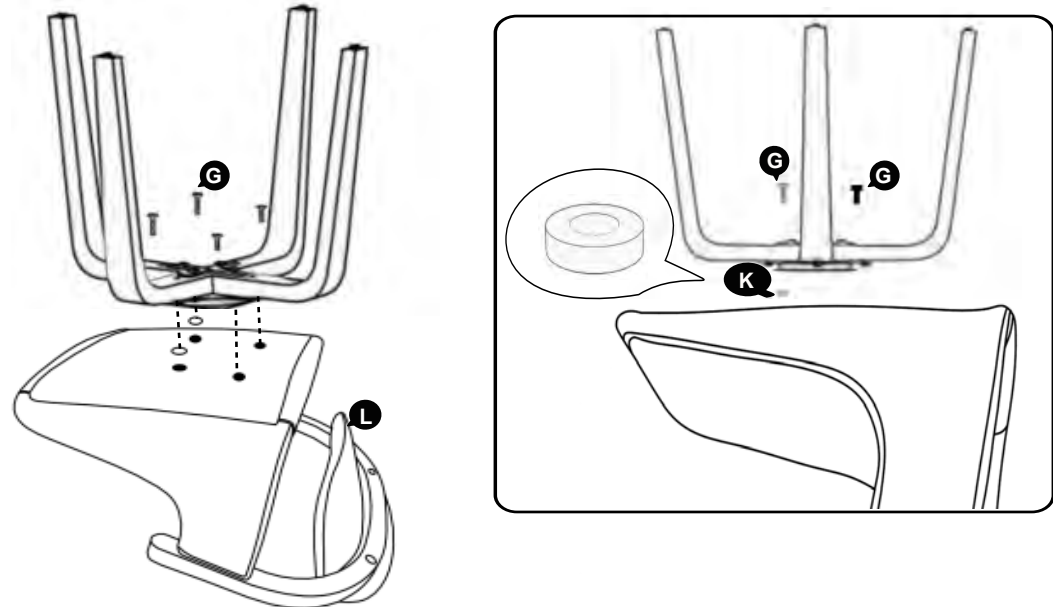
Gx4



Kx2



Lx1

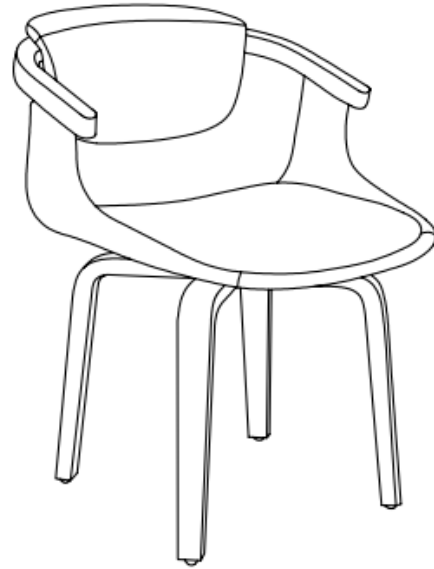
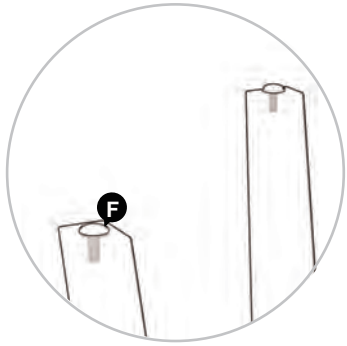


5

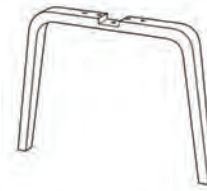


Fx4

Last step, please adjust the chair to the horizontal position, otherwise the wooden foot may break risk.



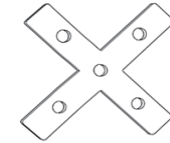
## SPARE PARTS



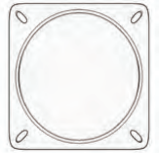
Ax1



Bx1



Cx1



Dx1

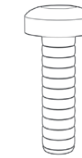


Ex1



Spare foot p in

Fx1



M6X20mm

Gx4+1Ext



M6X30mm

Hx5+1Ext

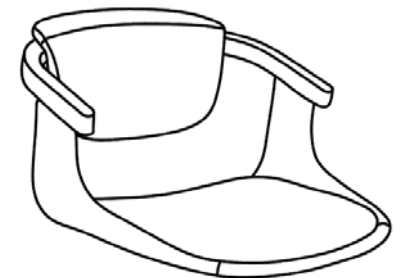


M6X25mm

Jx4+1Ext



5mm thickness  
Rubber Washer  
Kx2+1Ext



Lx1