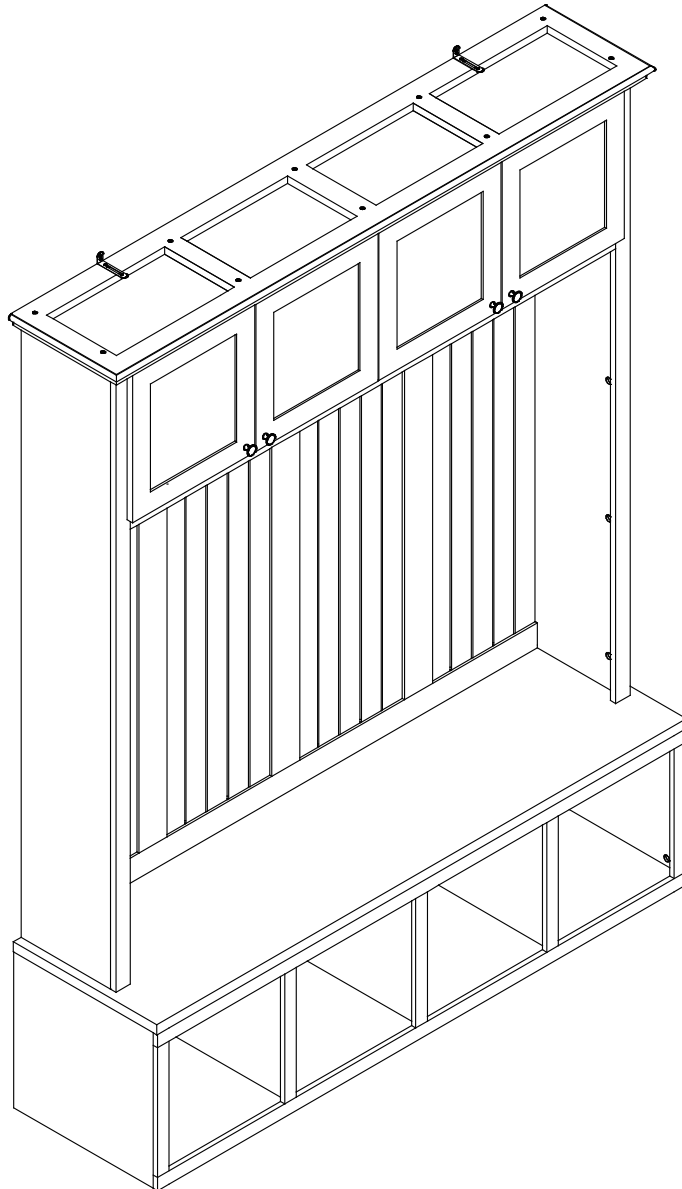


Hall Tree

Assembly Instructions - Please keep for future reference



Dimensions

Width- 59.05inch

Depth- 15.75inch

Height- 76.8inch



WARNING



This product is NOT a Clothing Storage Unit (CSU).
DO NOT use it for clothing storage.
Improper use may cause furniture tipover.

Important – Please read these instructions fully before starting assembly



Safety and Care Advice

Important – Please read these instructions fully before starting assembly

- Check you have all the components and tools listed on the following pages.
- Remove all fittings from the plastic bags and separate them into their groups.
- Keep children and animals away from the work area, small parts could choke if swallowed.
- Make sure you have enough space to layout the parts before starting.

- During assembly do not stand or put weight on the product, this could cause damage.
- Assemble the item as close to its final position (in the same room) as possible.
- Assemble on a soft level surface to avoid damaging the unit or your floor.
- Parts of the assembly will be easier with 2 people.



power drill is set on a low torque setting.

- To reduce the likelihood of damaging your product please ensure that your

Care and maintenance

- Only clean using a damp cloth and mild detergent, do not use bleach or abrasive cleaners.
- From time to time check that there are no loose screws on this unit.
- This product should not be discarded with household waste. Take to your local authority waste disposal centre.

Handy Hints

- Assemble all parts and bolts loosely during assembly, only once the product is complete should you fully tighten the bolts
- Regularly check and ensure That all bolts and fittings are tightened properly.

WARNING In order to help prevent overturning – please follow these instructions

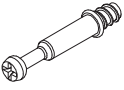


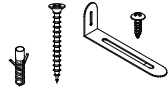

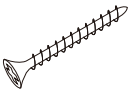
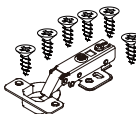
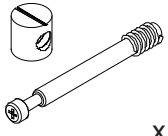

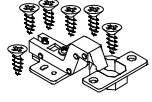
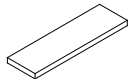

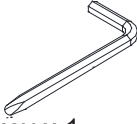
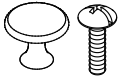
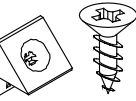

To help prevent product toppling over please follow the below steps:-

- Use the anti tip stap or wall fixing method provided (if applicable)
- Do not allow children to climb or hang on the furniture
- Do not open more than one drawer at a time
- Do not place heavy items in the top drawers
- Do not place heavy items on top of the furniture, unless the furniture has been designed for this purpose

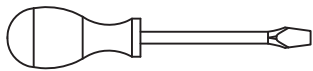
Components - Fittings

Please check you have all the panels listed below

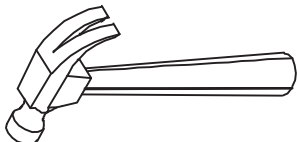
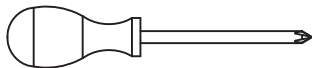
Note: The quantities below are the correct amount to complete the assembly. In some cases more fittings may be supplied than are required.

<p>(A) </p> <p>Cam Bolt x 74+2</p>	<p>(B) </p> <p>6*30mm Dowel x 87+2</p>	<p>(C) </p> <p>Cam lock x 80+2</p>	<p>(D) </p> <p>Anti-tipping Device x2</p>
<p>(E) </p> <p>Perfect fit x 50</p>	<p>(F) </p> <p>4*30mm Screw x 16+1</p>	<p>(G) </p> <p>Straight Arm Hinge x 4set</p>	<p>(H) </p> <p>x 6set</p>
<p>(I) </p> <p>3*16mm Hook x 4set</p>	<p>(J) </p> <p>Half-overlay Hinge x 4set</p>	<p>(K) </p> <p>Foot pad x10</p>	<p>(L) </p> <p>4*40mm Screw x 16+1</p>
<p>(M) </p> <p>Allen key x 1</p>	<p>(N) </p> <p>4*18mm Handle x 4set</p>	<p>(O) </p> <p>3.5*14mm Back panel clip x 36set</p>	<p>(P) </p> <p>4*50mm Screw x 14+1</p>

Tools required Not Included



Phillips screwdriver
(medium & large)



Using Camlocks

Step 1

Connect the male camlock as directed in the assembly instructions using a screwdriver.

1

DO NOT OVER TIGHTEN.
NE PAS SERRER EXCESSIVEMENT.



Step 2

Push the male camlock into the entry hole.

2

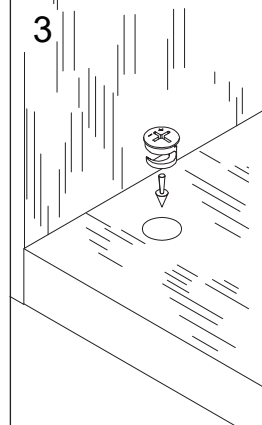


Step 3

Insert the female camlock as shown in the instruction.

Note: ensure that the arrow on the top of the camlock points towards the entry hole for the male camlock.

3



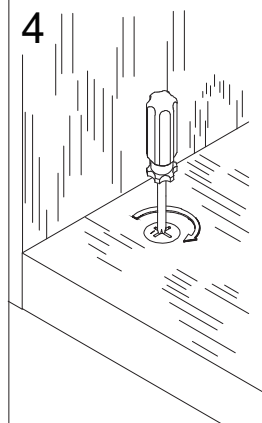
Step 4

Turn the female camlock clockwise with a screwdriver.

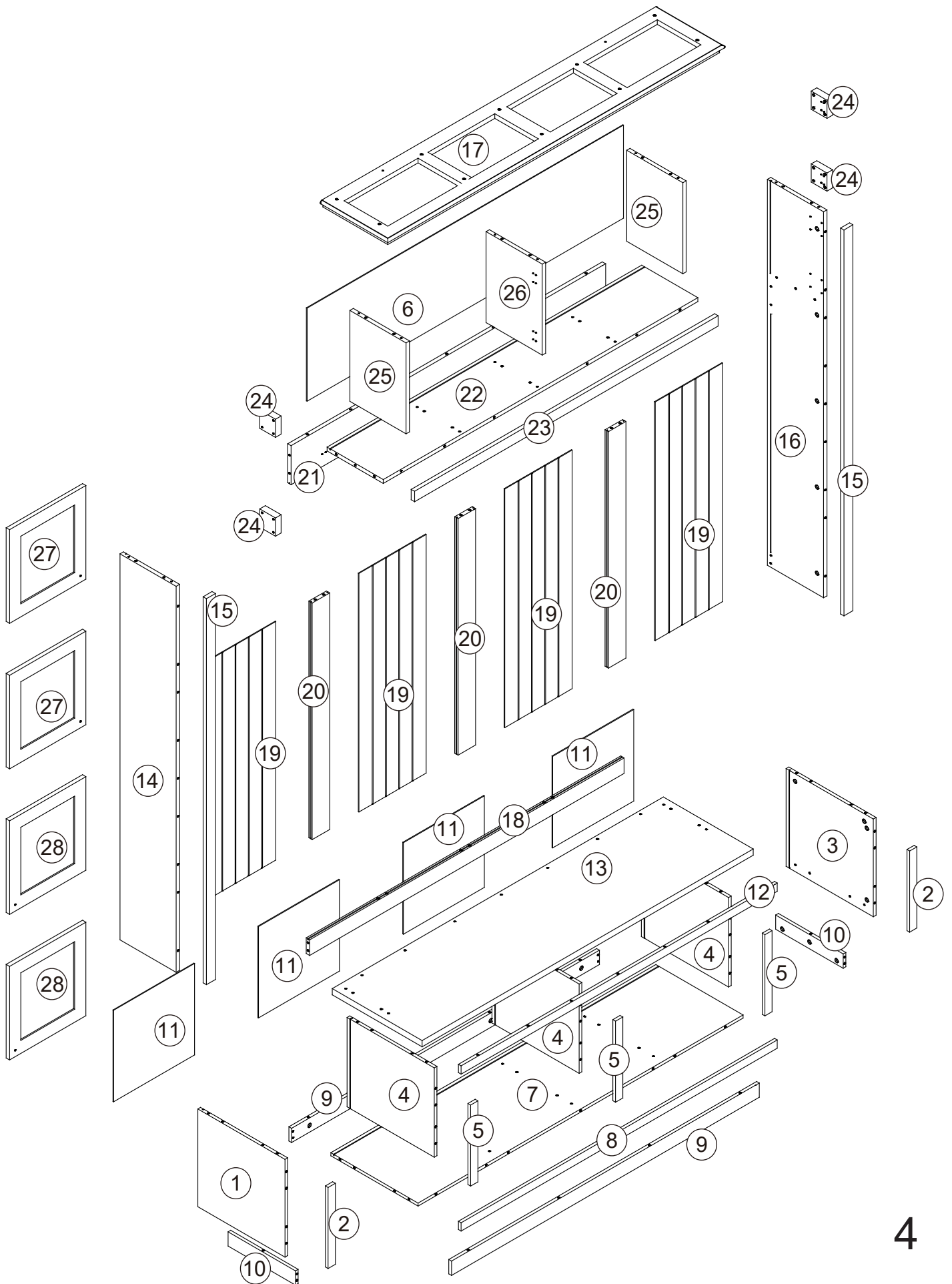
You should feel a click when the camlock is locked in place.

The joint is now secure.

4

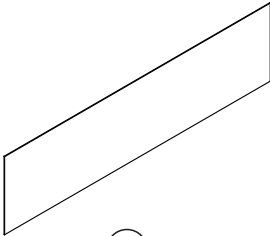
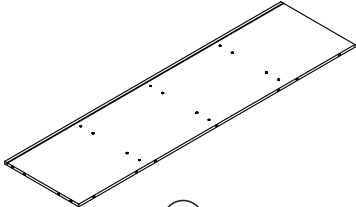
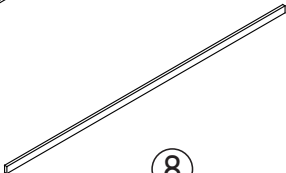
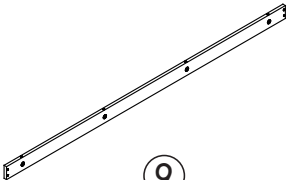
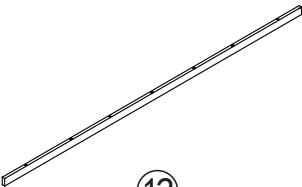
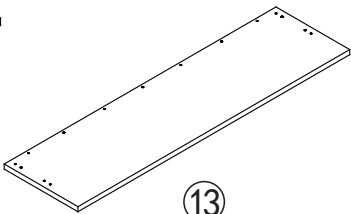
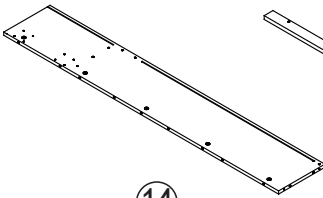
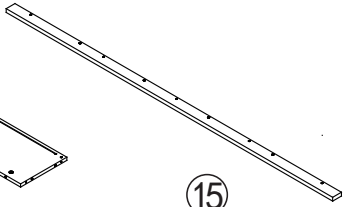
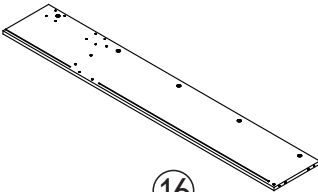
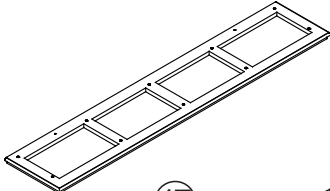
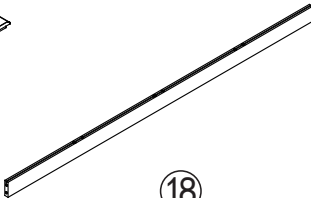
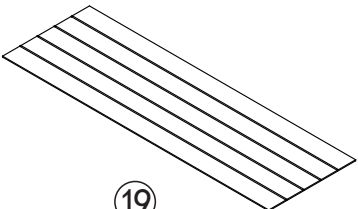
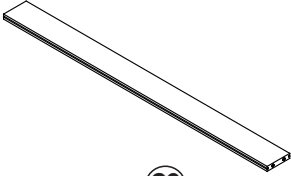
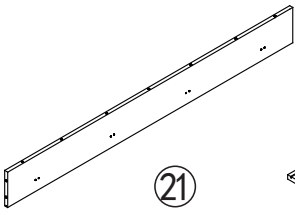
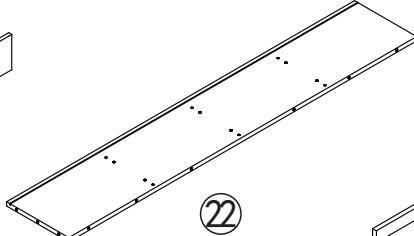
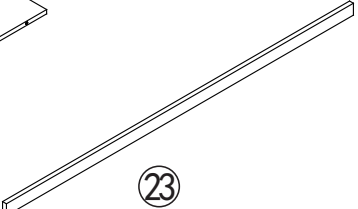


Assembly Instructions



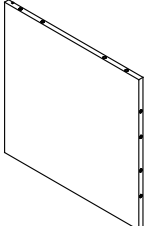

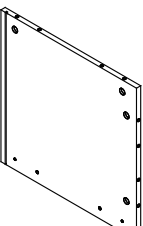
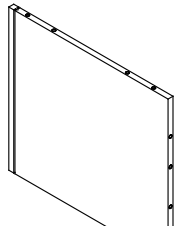

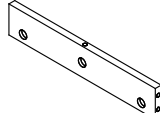
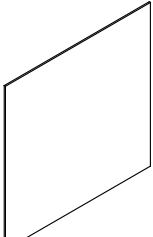
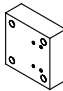
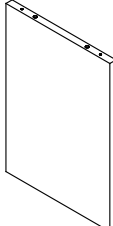
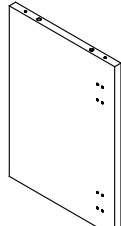
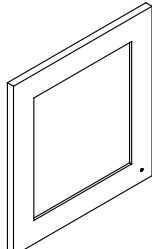
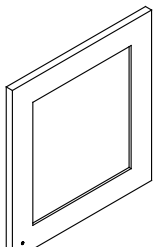

PART LIST

This product comes in 2 box.

 <p>⑥ x1 1408x358x3mm</p>	 <p>⑦ x1 1447x388x12mm</p>	 <p>⑧ x1 1471x32x12mm</p>	 <p>⑨ x2 1370x55x12mm</p>
 <p>⑫ x1 1471x32x12mm</p>	 <p>⑬ x1 1474x400x24mm</p>	 <p>⑭ x1 1485x250x15mm</p>	 <p>⑮ x2 1485x40x15mm</p>
 <p>⑯ x1 1485x250x15mm</p>	 <p>⑰ x1 1500x300x30mm</p>	 <p>⑱ x1 1400x60x15mm</p>	 <p>⑲ x4 918x300x3mm</p>
 <p>⑳ x3 910x78x15mm</p>	 <p>㉑ x1 1400x150x15mm</p>	 <p>㉒ x1 1400x250x15mm</p>	 <p>㉓ x1 1351x40x15mm</p>

PART LIST

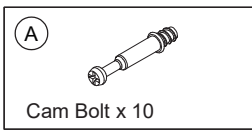
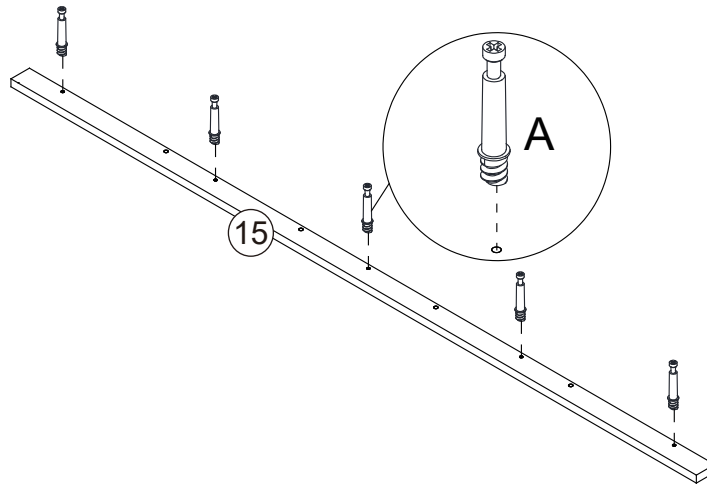
This product comes in 2 box.

 ① x1 388x376x12mm	 ② x2 312x32x12mm	 ③ x1 388x376x12mm	 ④ x3 388x376x12mm	 ⑤ x3 312x32x12mm
 ⑩ x2 300x55x12mm	 ⑪ x4 360x352x3mm	 ⑫④ x4 70x70x25mm	 ⑫⑤ x2 350x250x15mm	 ⑫⑥ x1 350x250x15mm
 ⑫⑦ x2 360x340x15mm	 ⑫⑧ x2 360x340x15mm	 Hardware kit x1		

Assembly Instructions

Step 1

x2

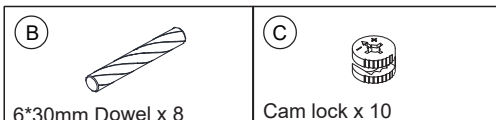
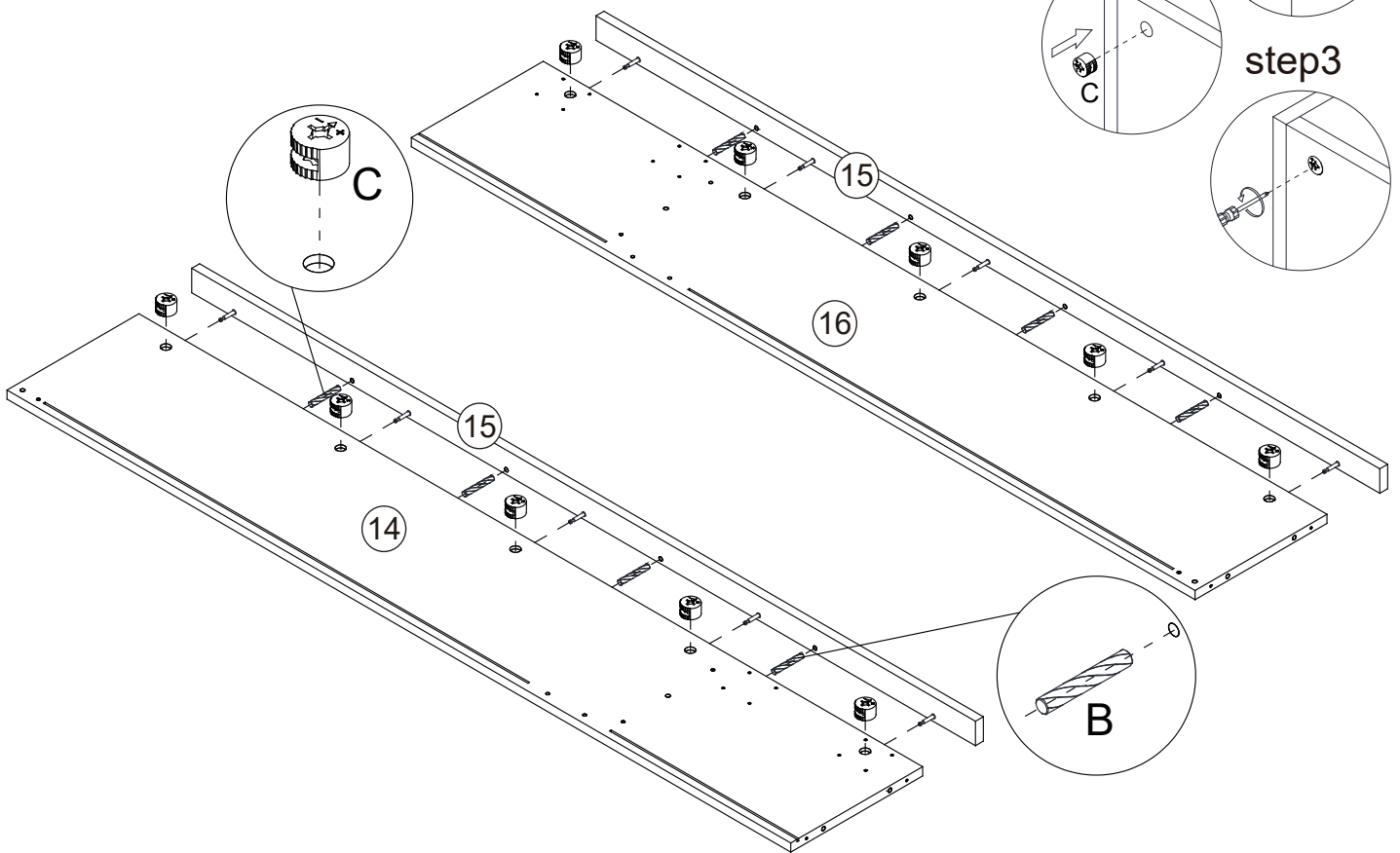


Step 2

step1

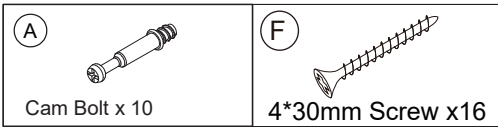
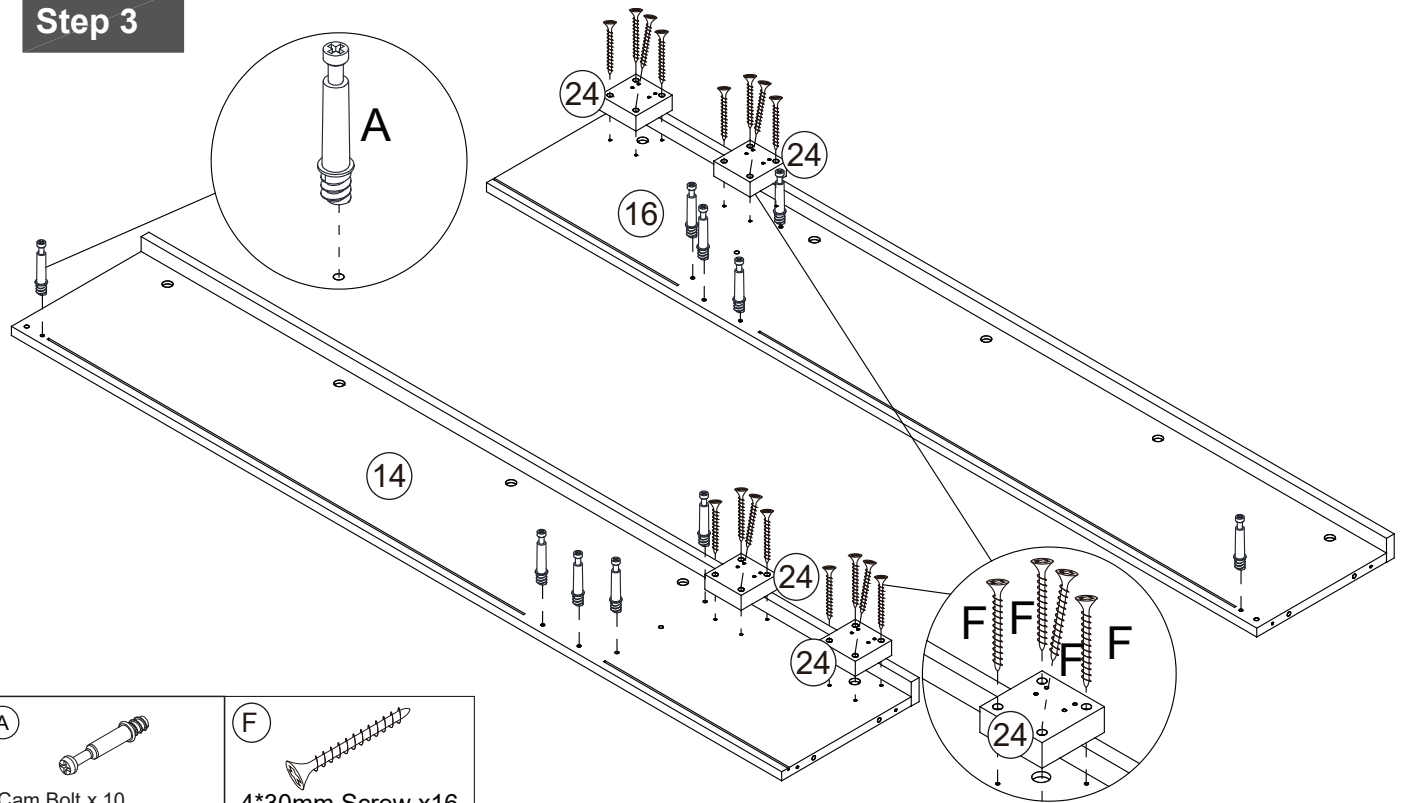
step2

step3

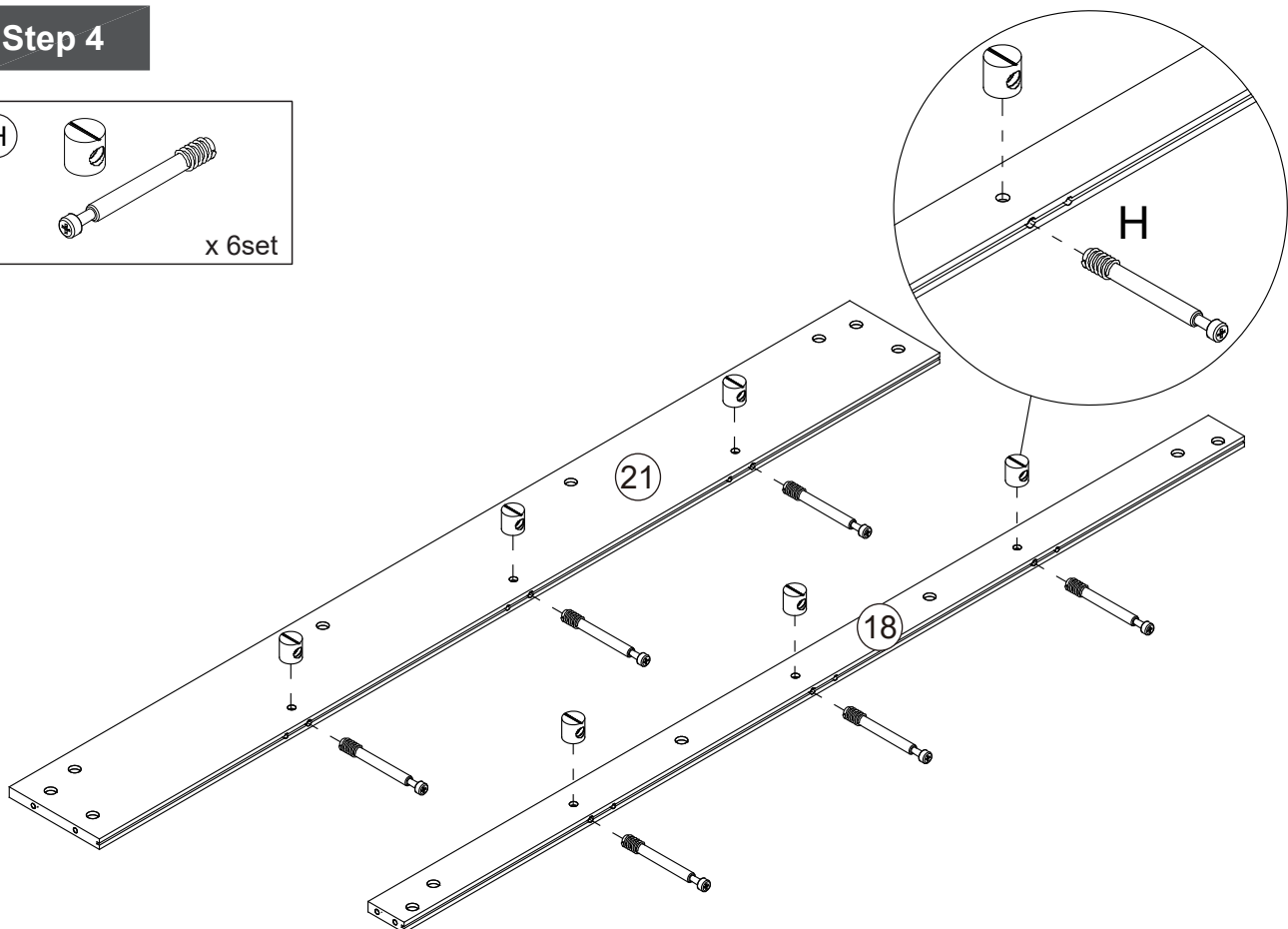
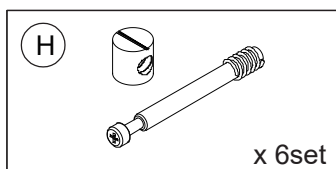


Assembly Instructions

Step 3

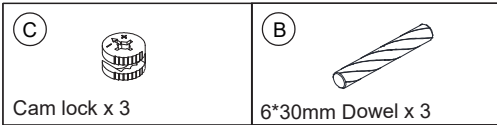
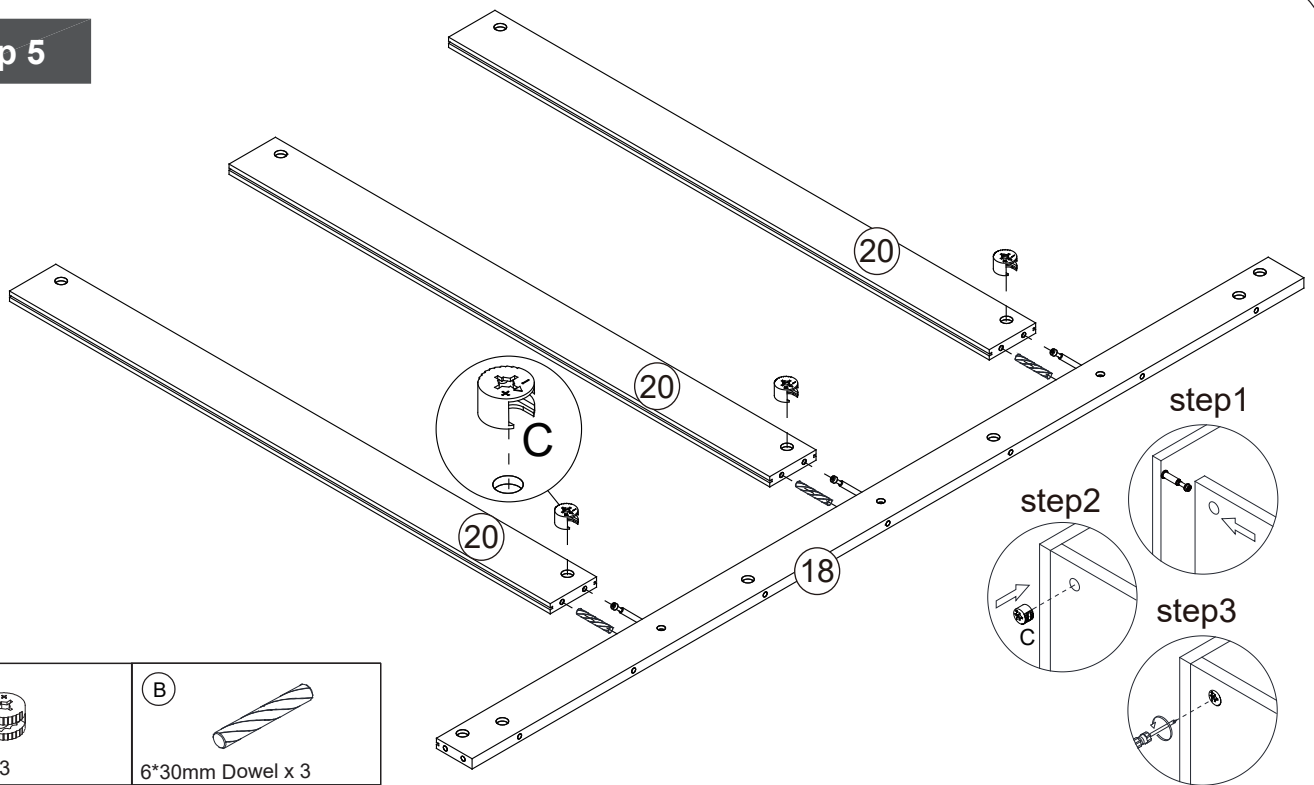


Step 4

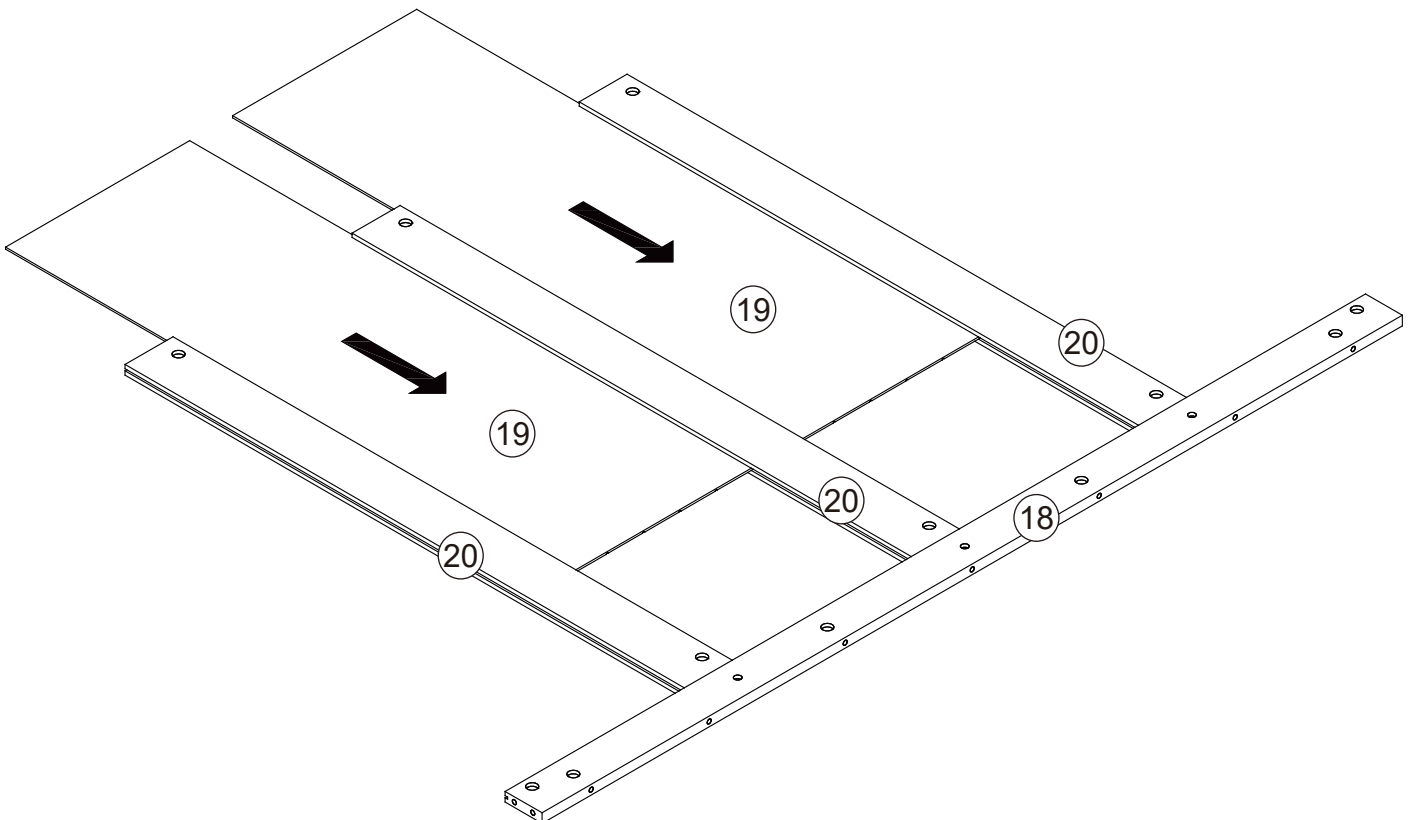


Assembly Instructions

Step 5

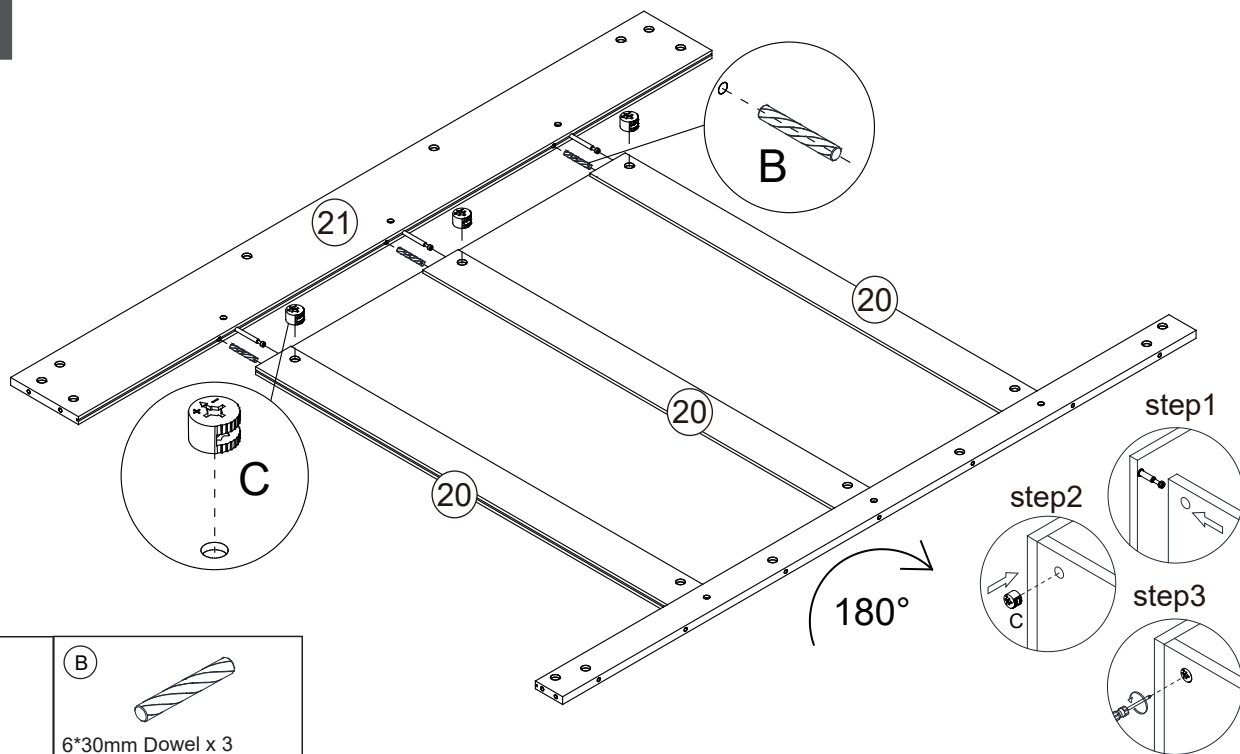




Step 6



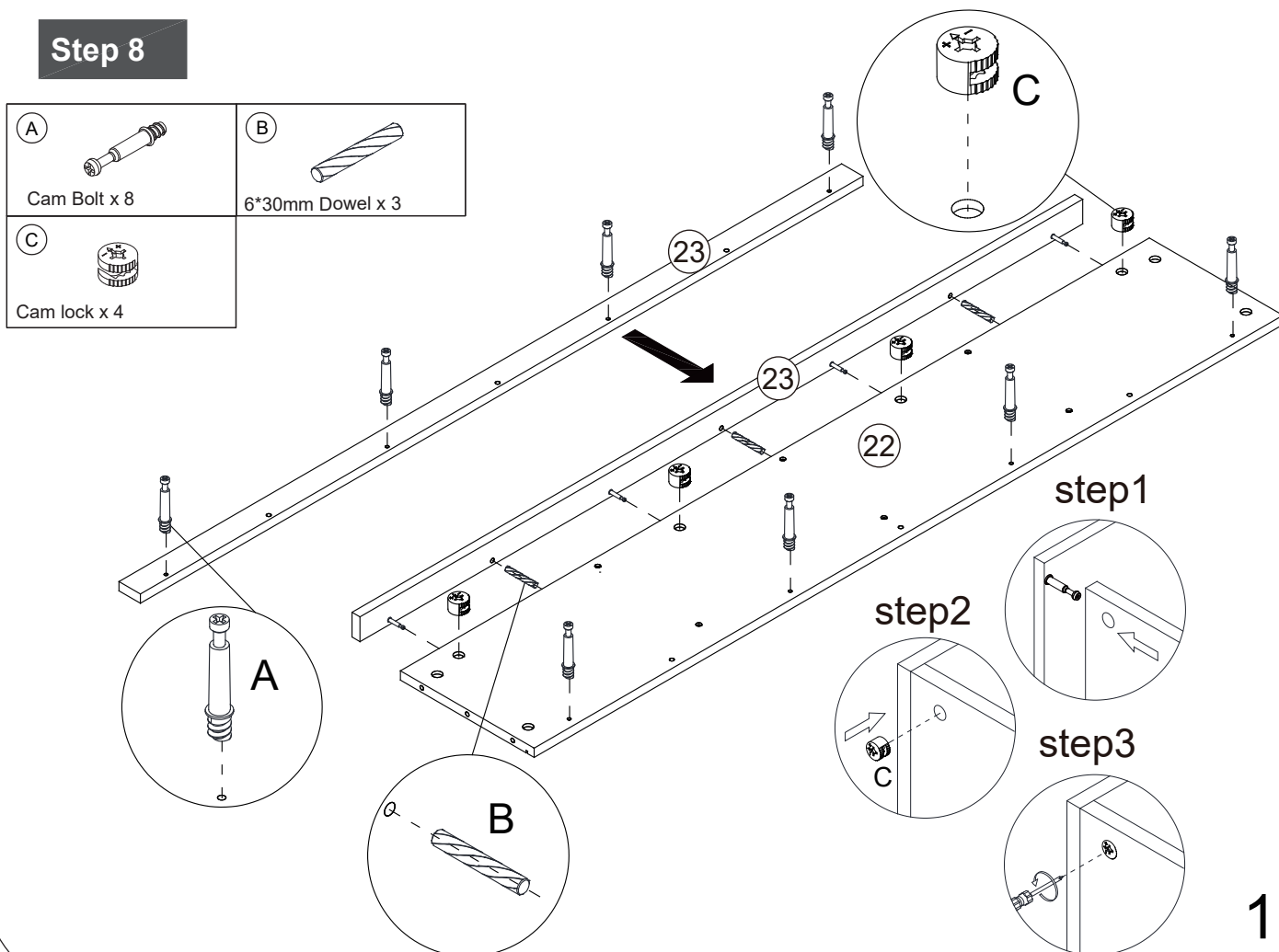
Assembly Instructions

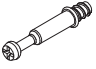


Step 7



<p>(C)</p>  <p>Cam lock x 3</p>	<p>(B)</p>  <p>6*30mm Dowel x 3</p>
---	---

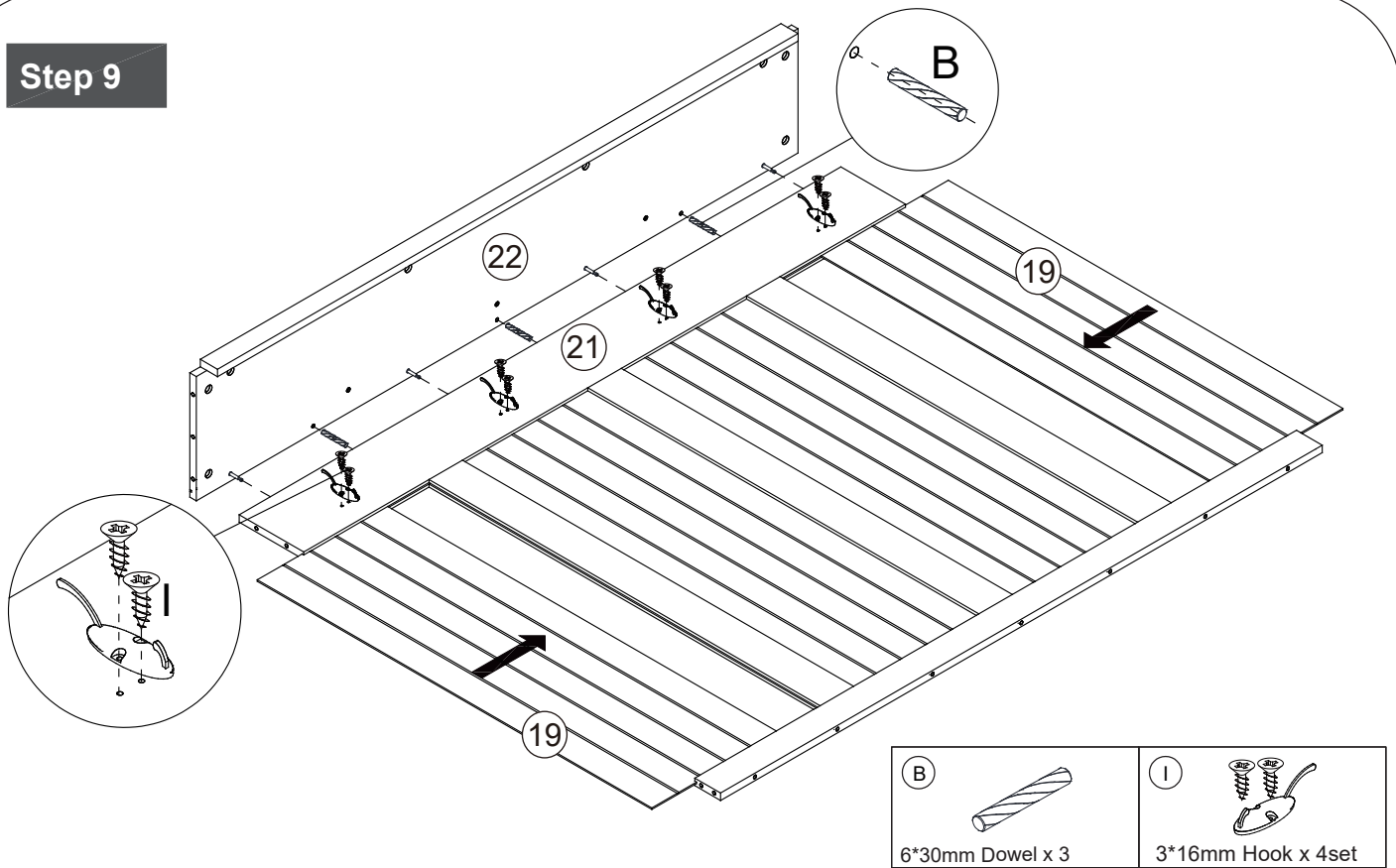
Step 8



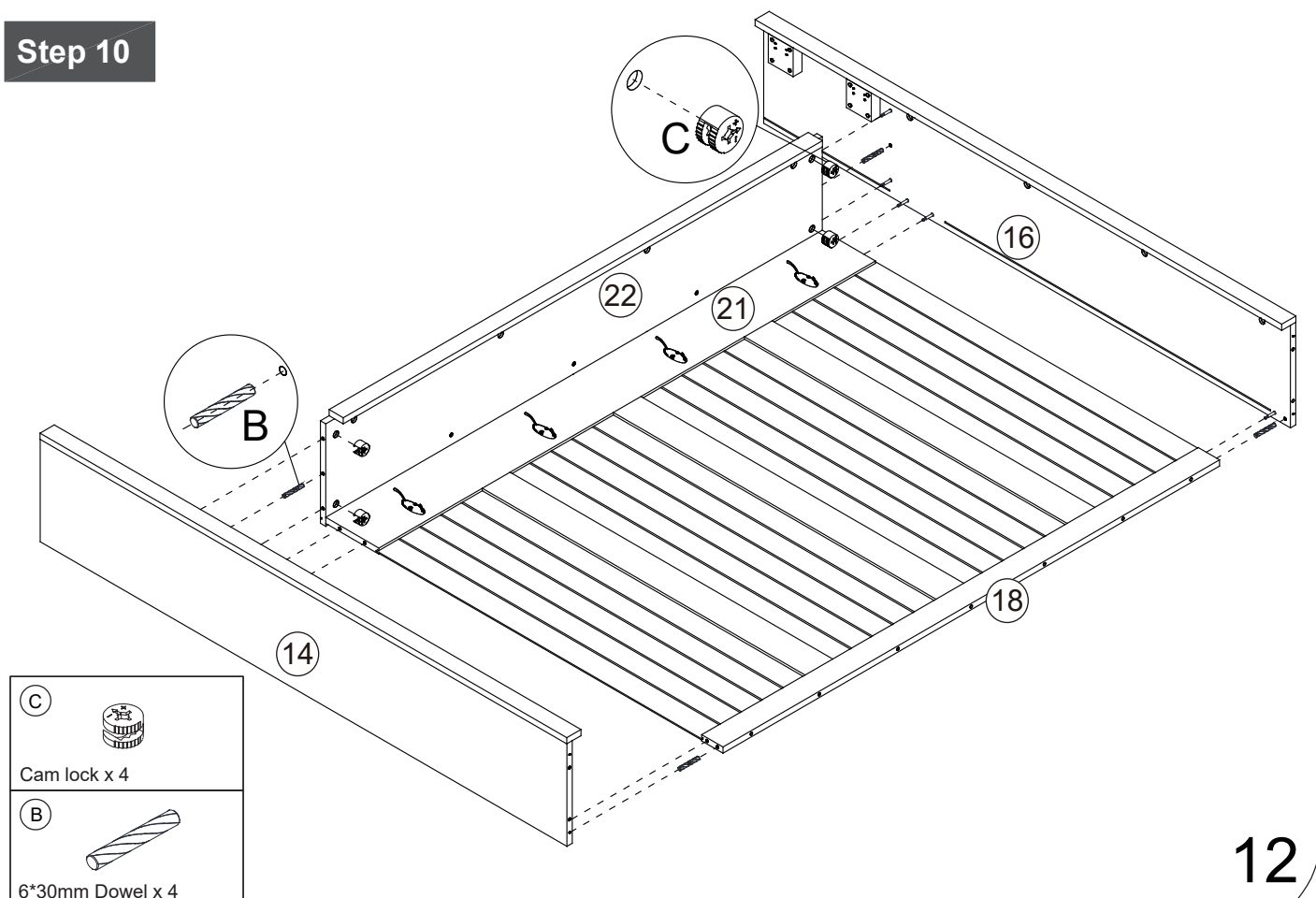
<p>(A)</p>  <p>Cam Bolt x 8</p>	<p>(B)</p>  <p>6*30mm Dowel x 3</p>
<p>(C)</p>  <p>Cam lock x 4</p>	

Assembly Instructions

Step 9

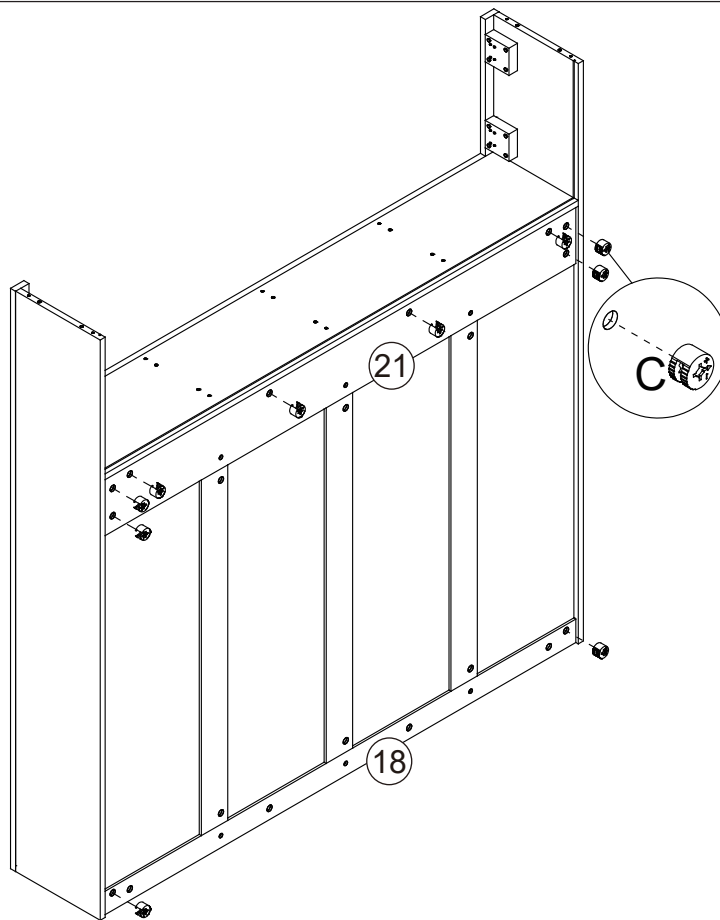
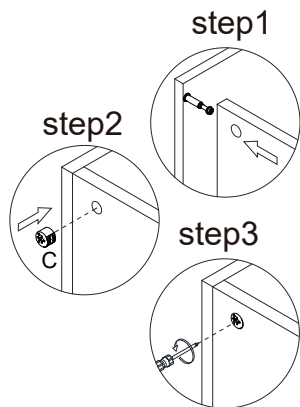


Step 10



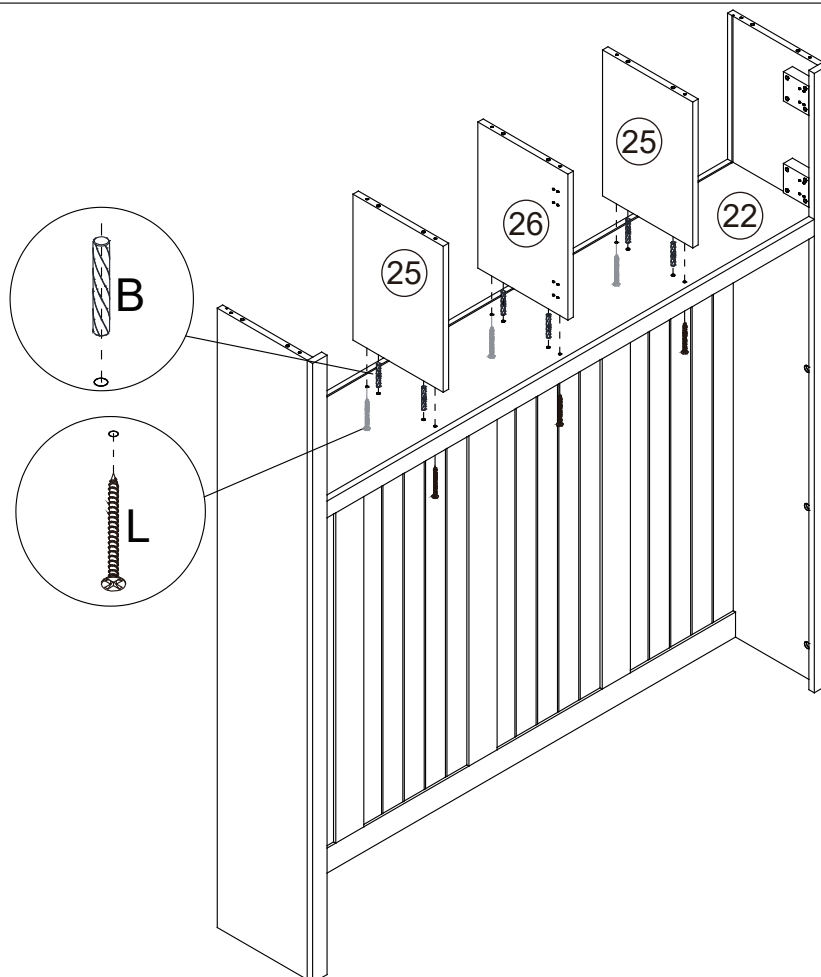
Assembly Instructions

Step 11



Cam lock x 10

Step 12

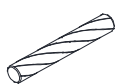


L



4*40mm Screw x 6

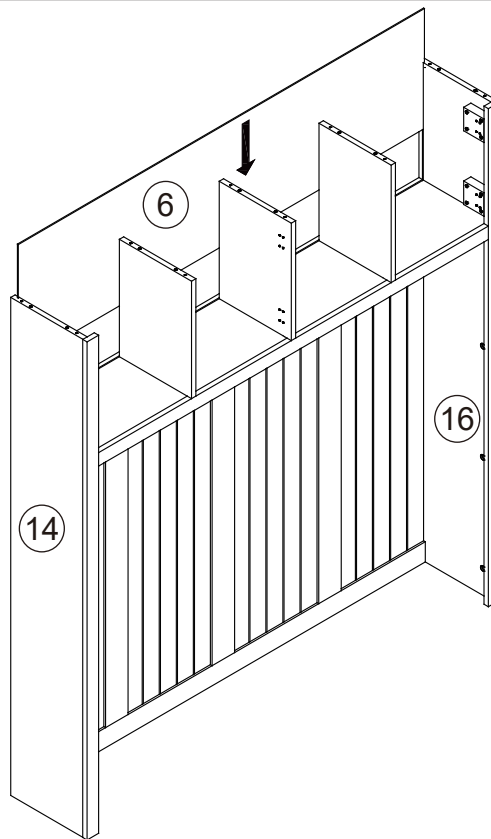
B



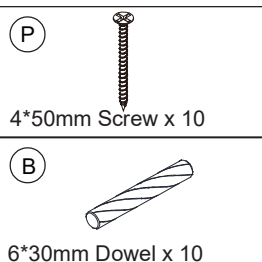
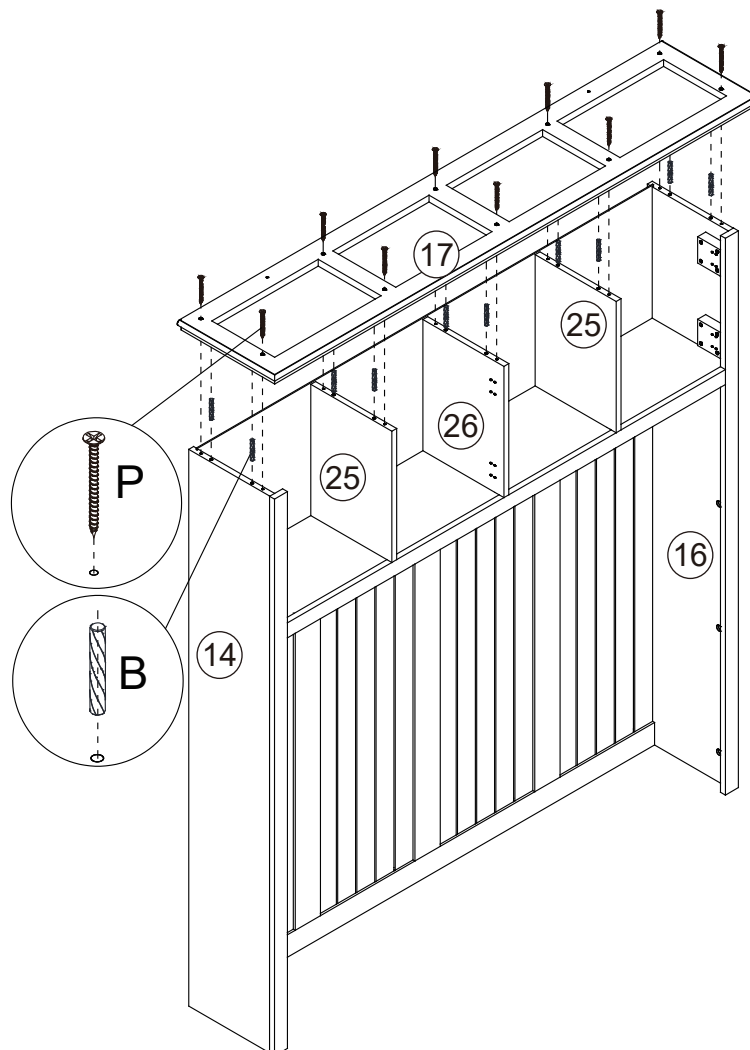
6*30mm Dowel x 6

Assembly Instructions

Step 13

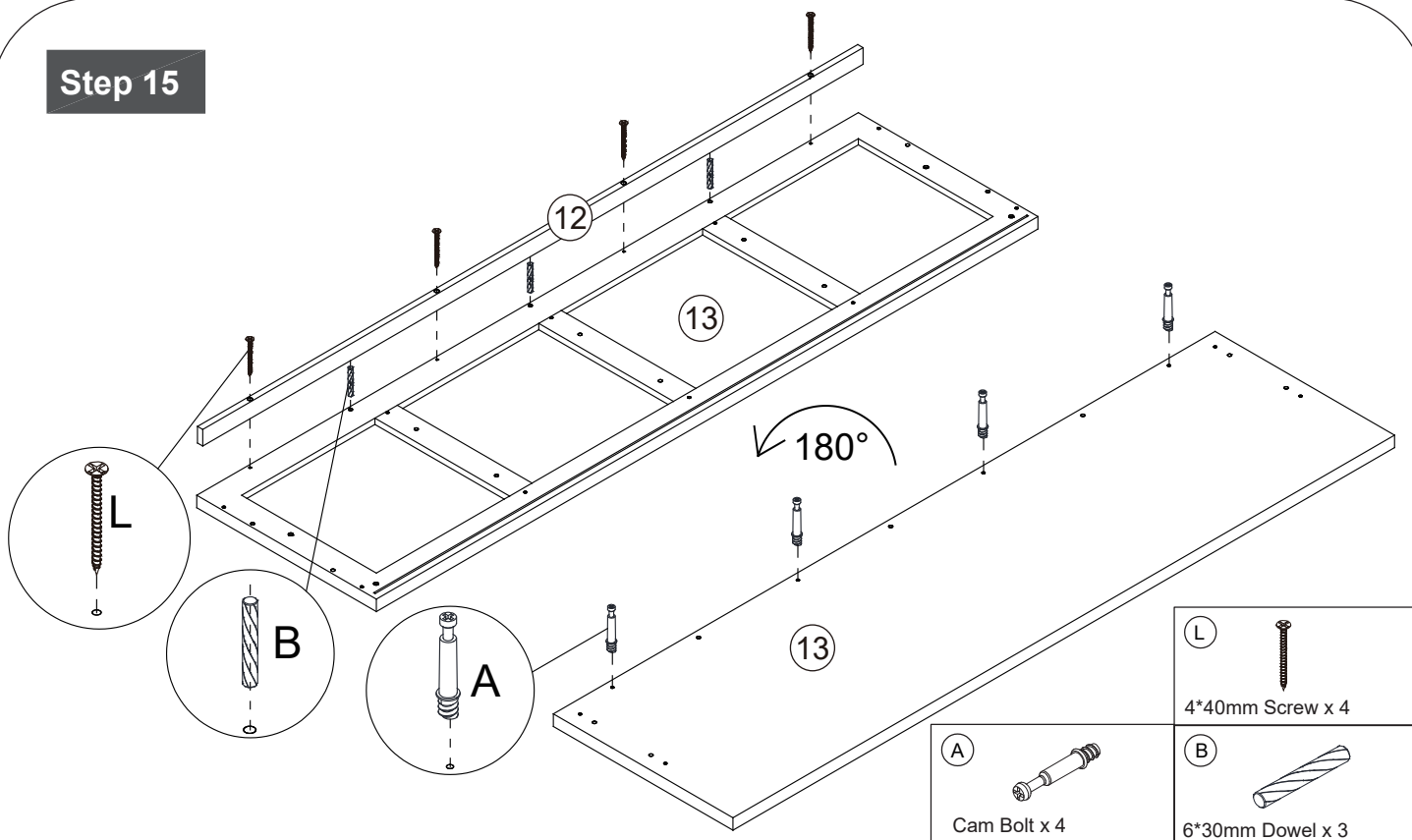


Step 14

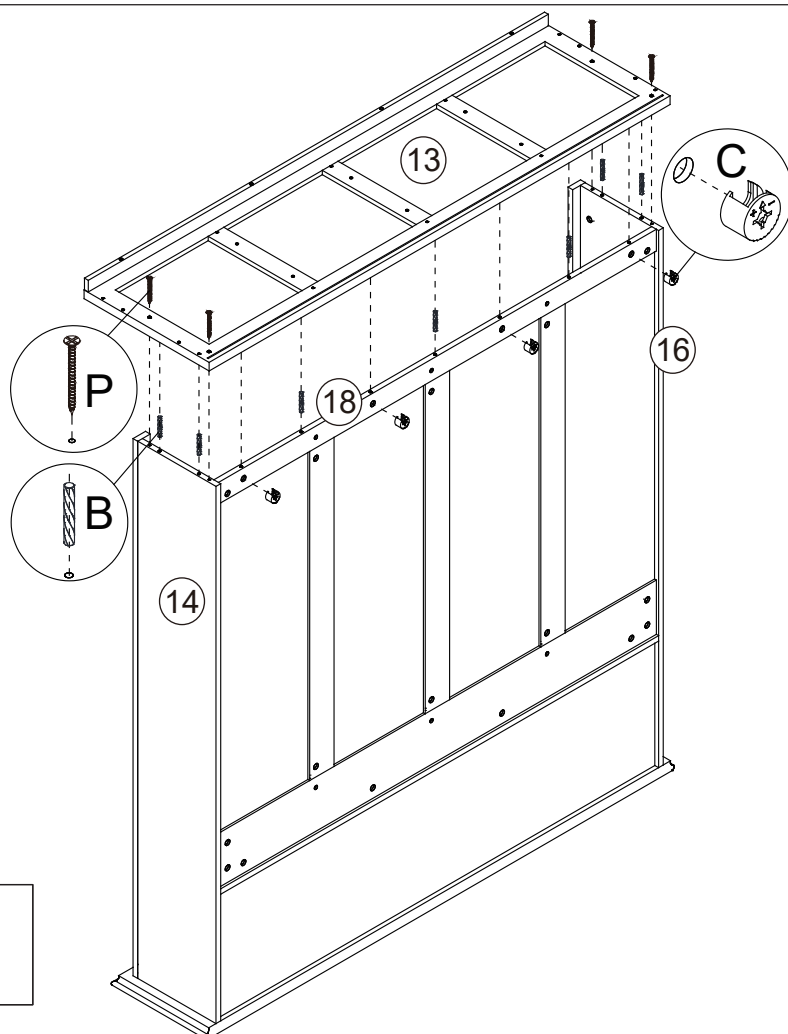


Assembly Instructions

Step 15

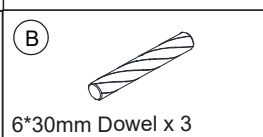
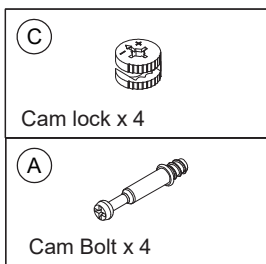
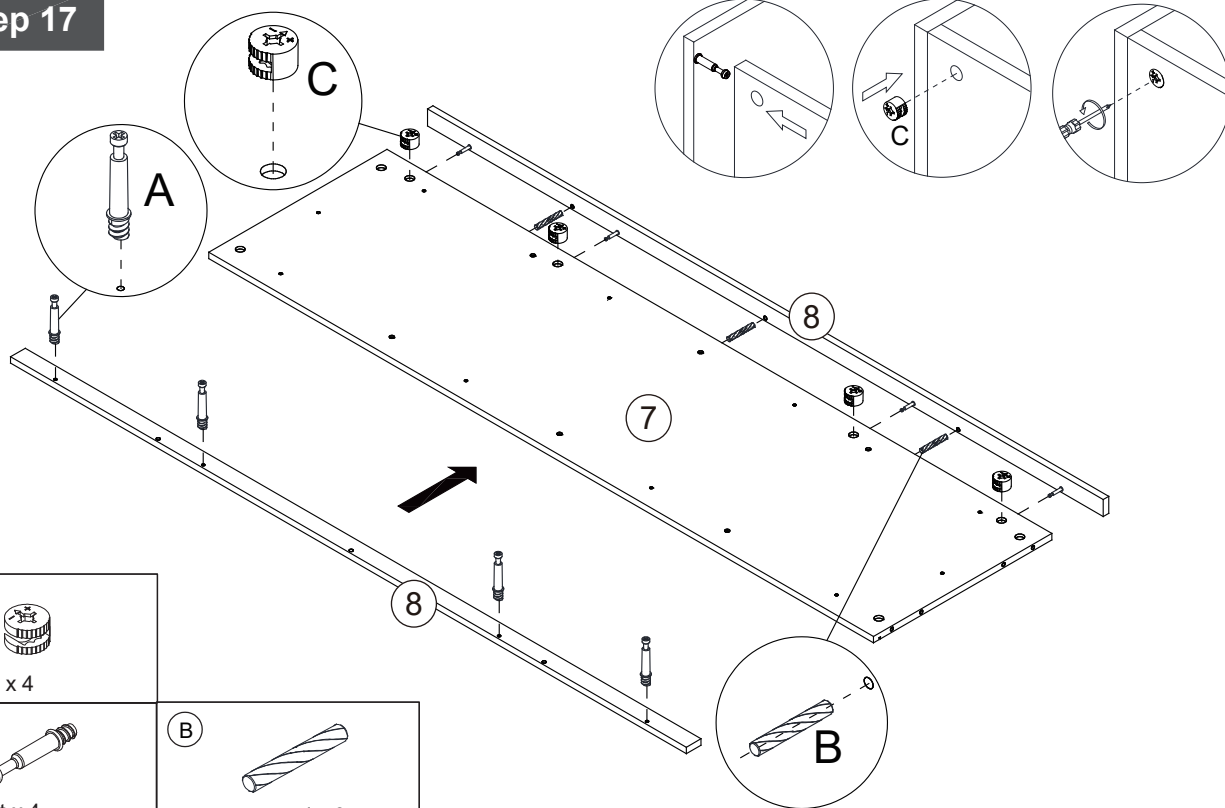


Step 16



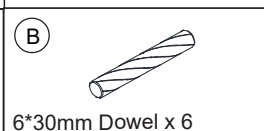
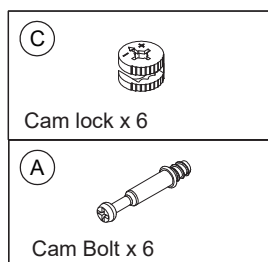
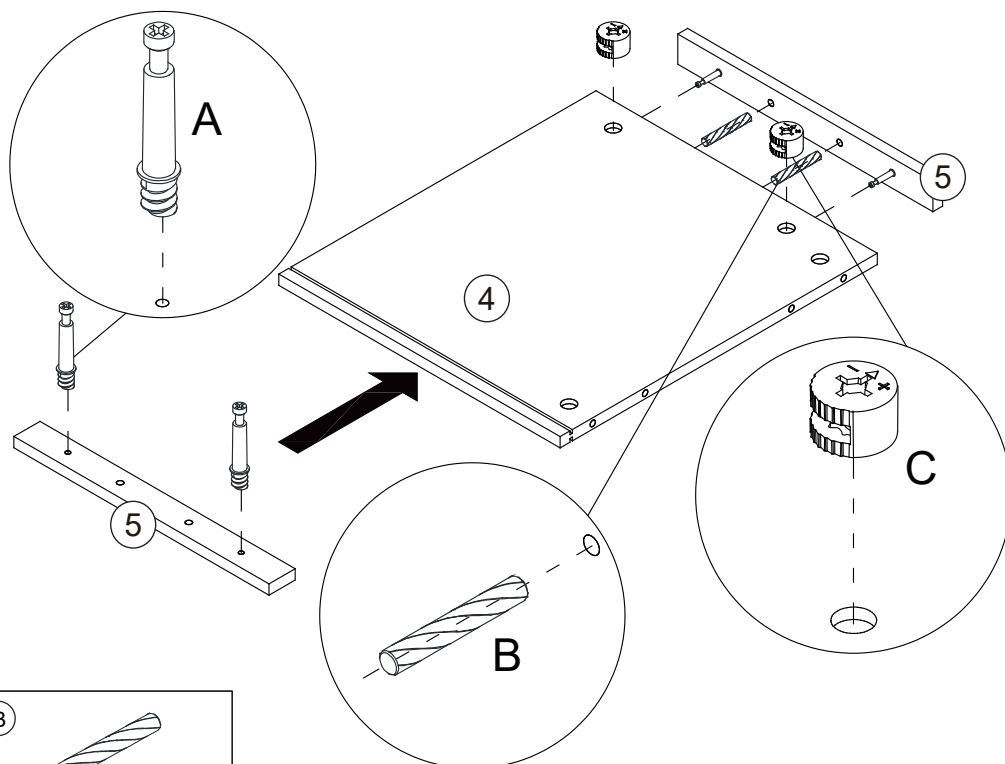
Assembly Instructions

Step 17



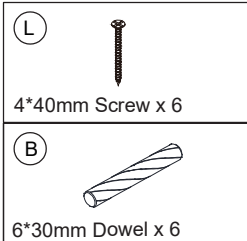
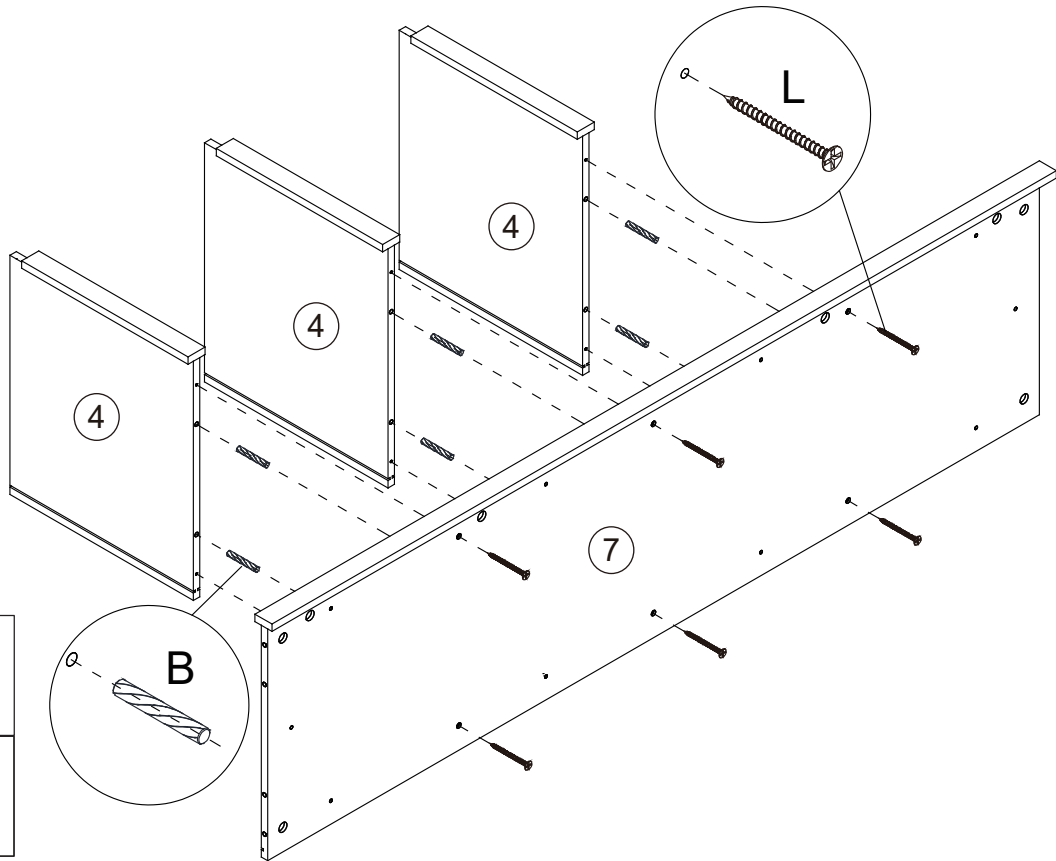
Step 18

x3

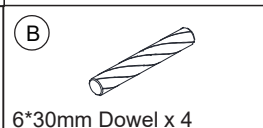
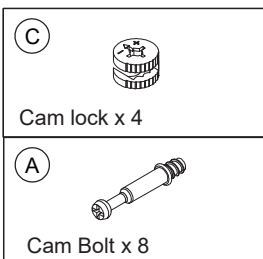
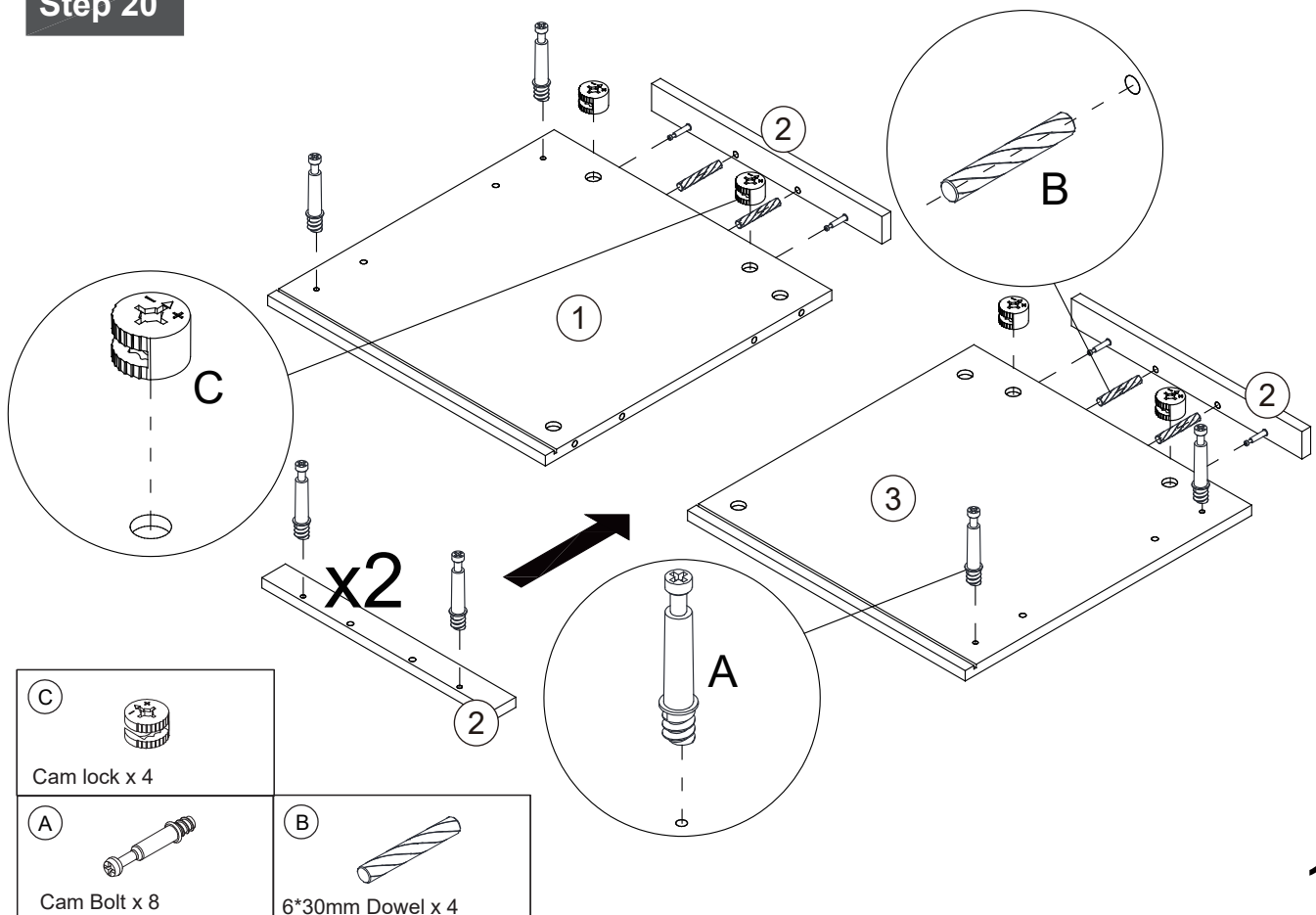


Assembly Instructions

Step 19

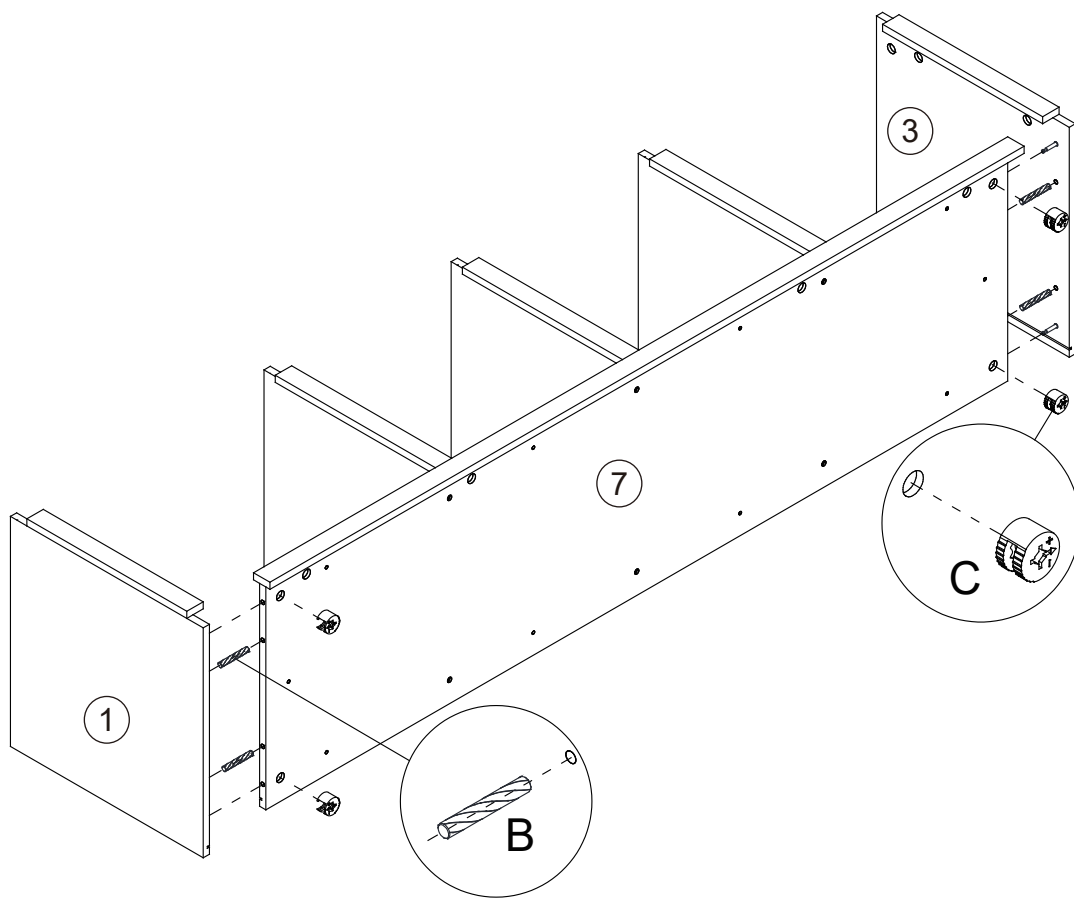




Step 20



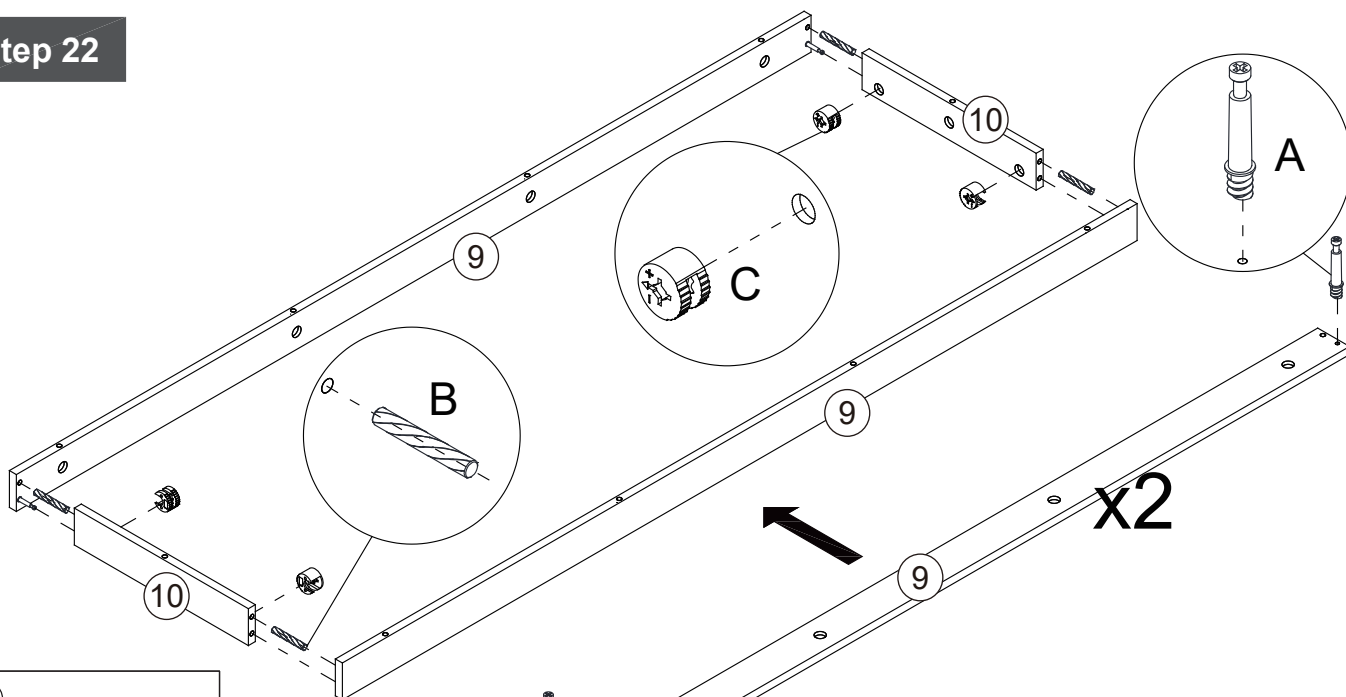
Assembly Instructions


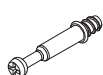

Step 21

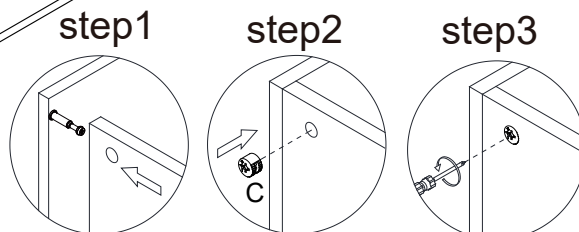


- (C)  Cam lock x 4
- (B)  6*30mm Dowel x 4

Step 22

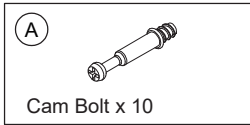
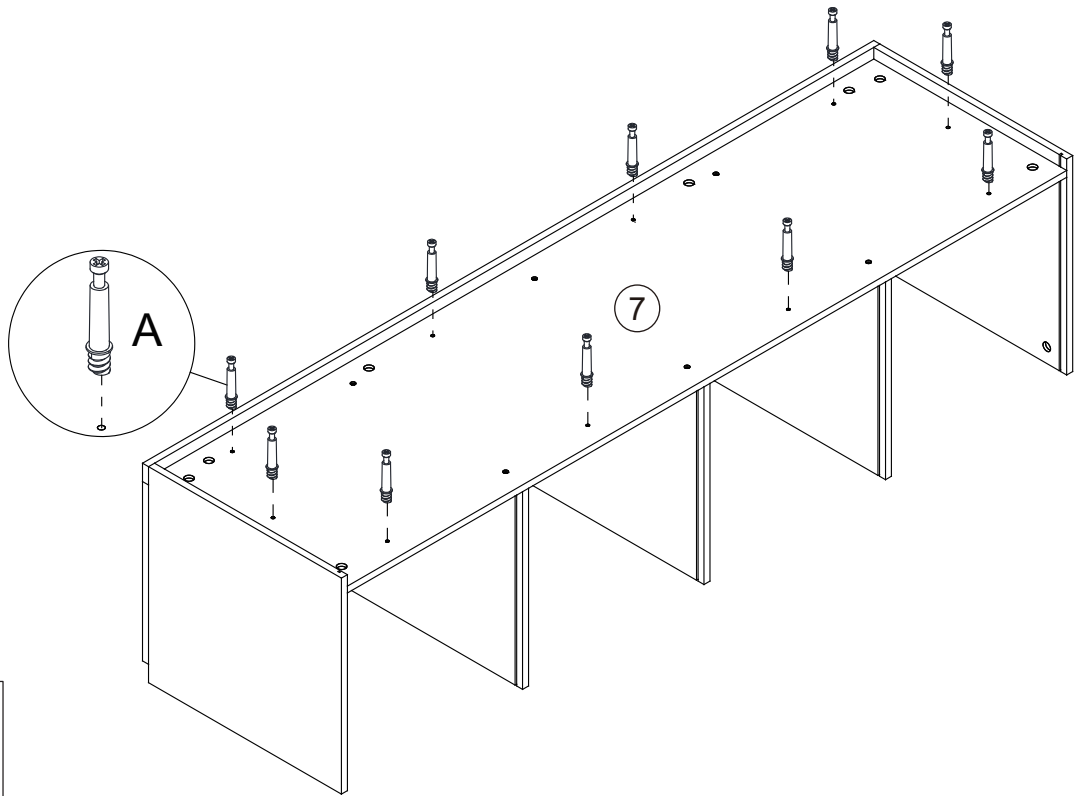


- (C)  Cam lock x 4
- (A)  Cam Bolt x 4
- (B)  6*30mm Dowel x 4

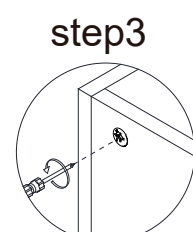
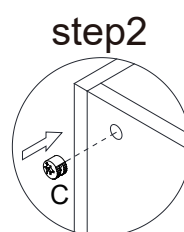
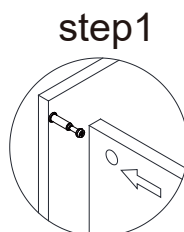
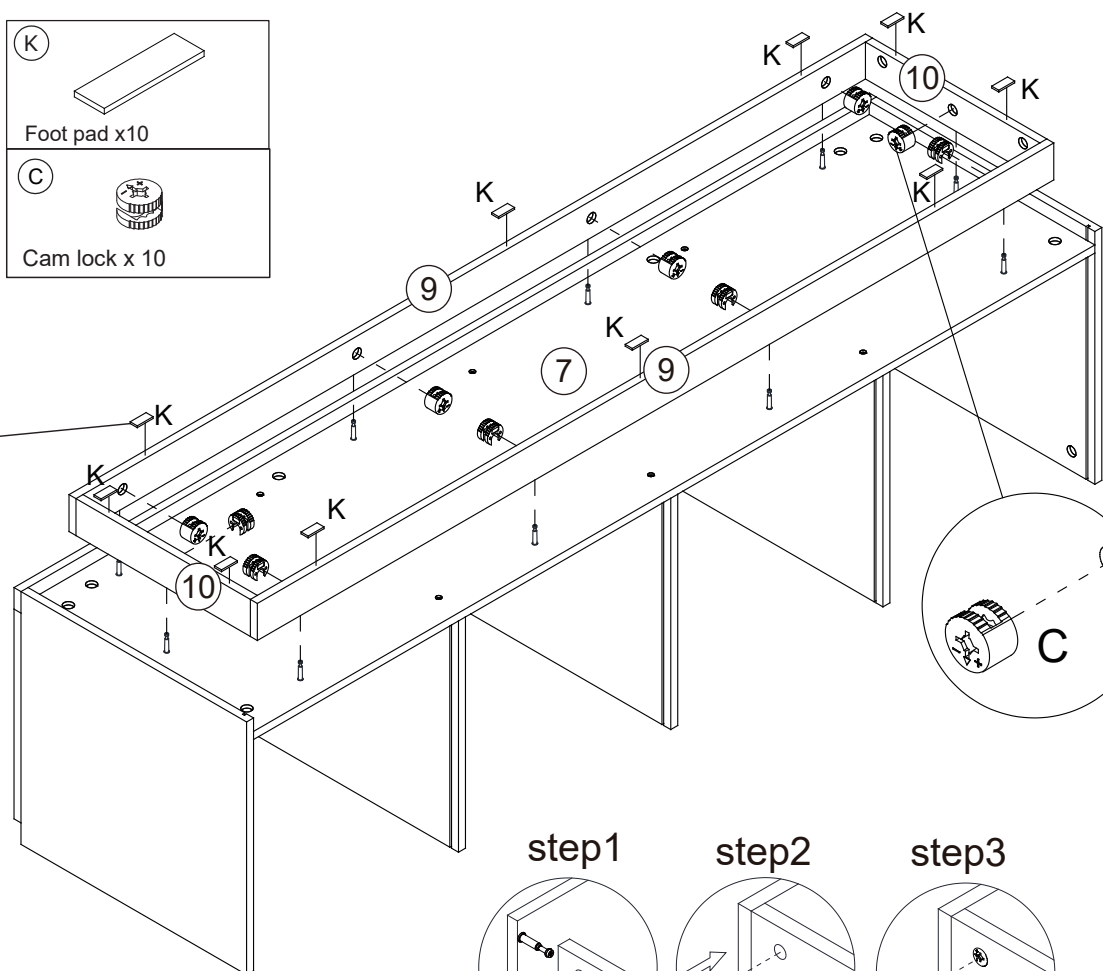
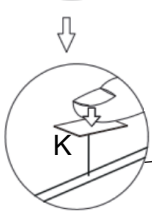
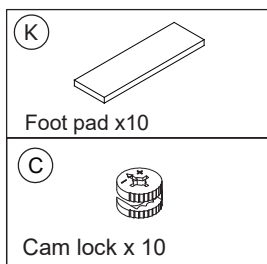


Assembly Instructions

Step 23

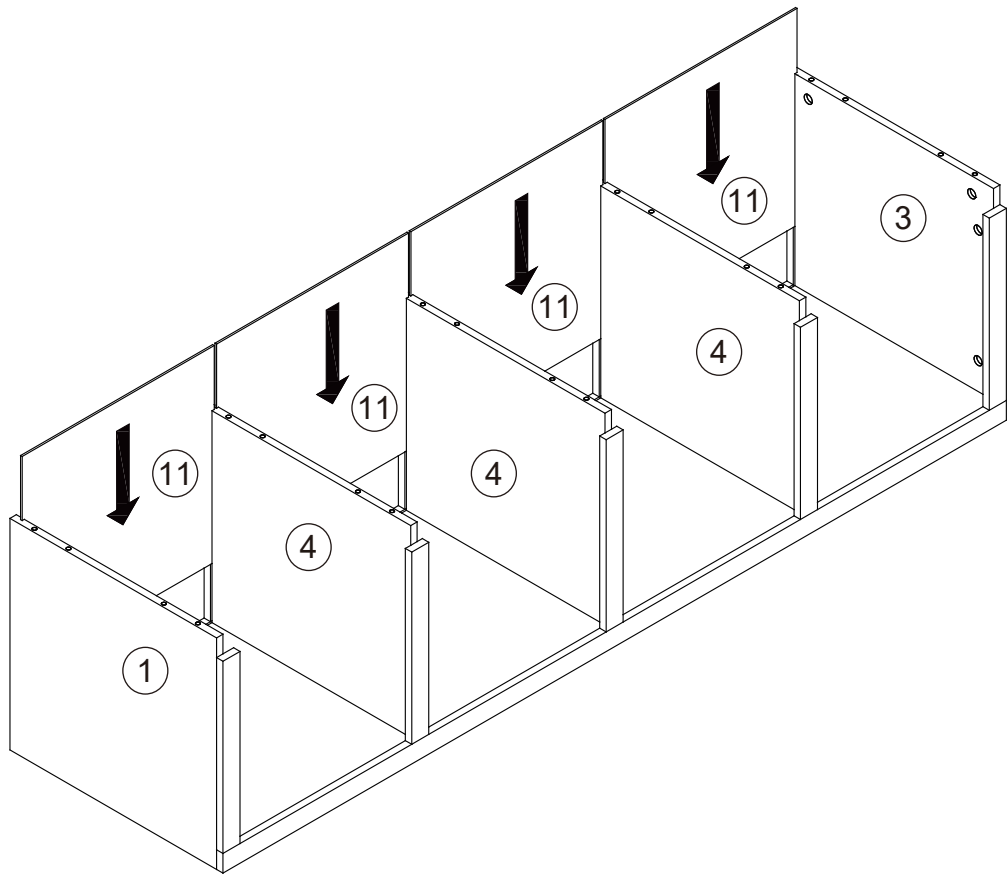


Step 24

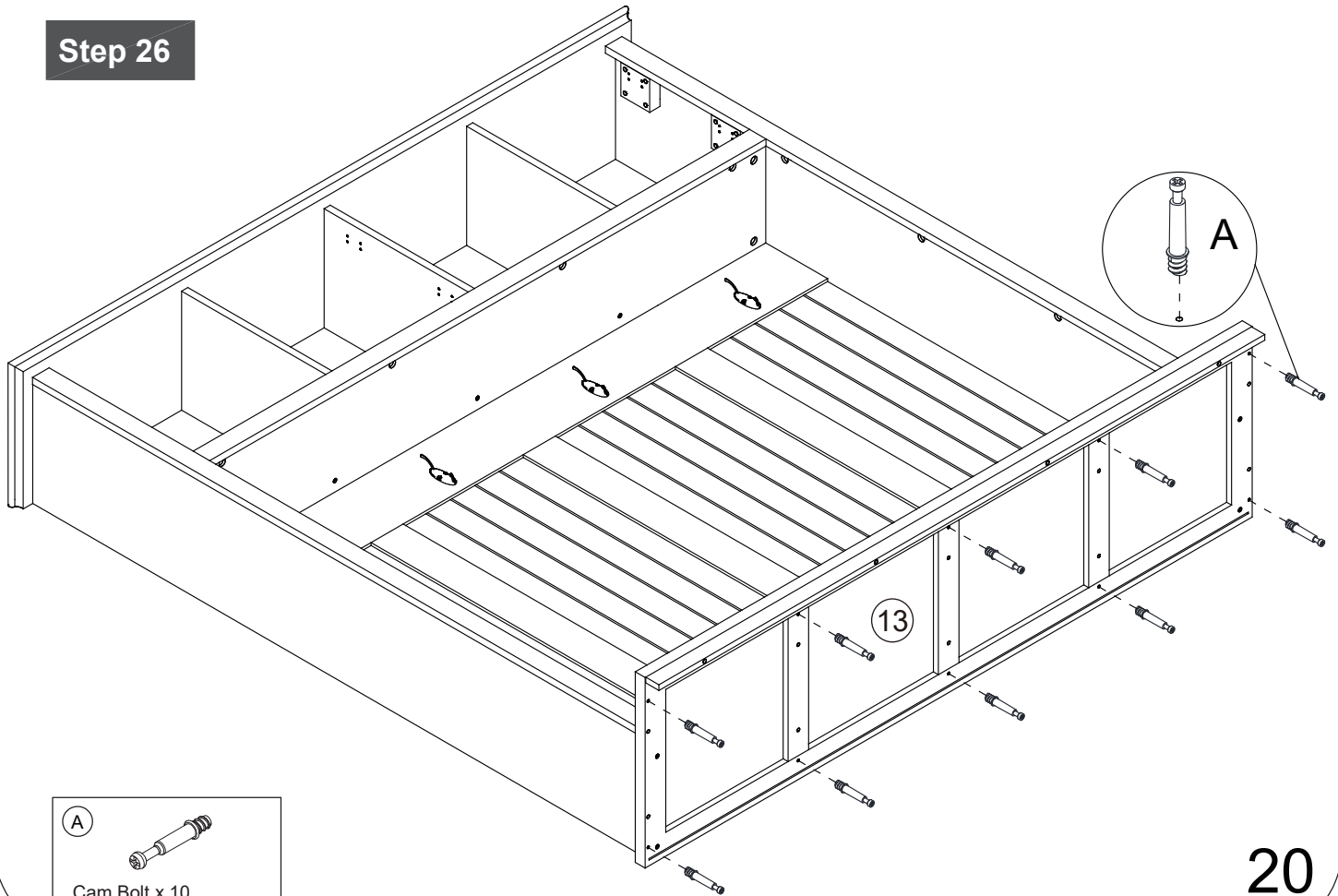


Assembly Instructions

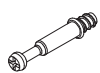
Step 25



Step 26



A

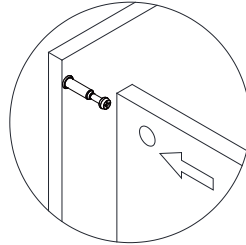


Cam Bolt x 10

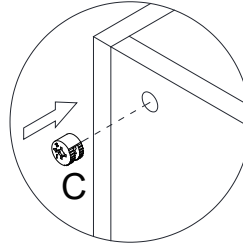
Assembly Instructions

Step 27

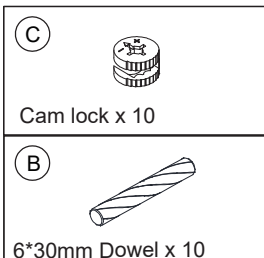
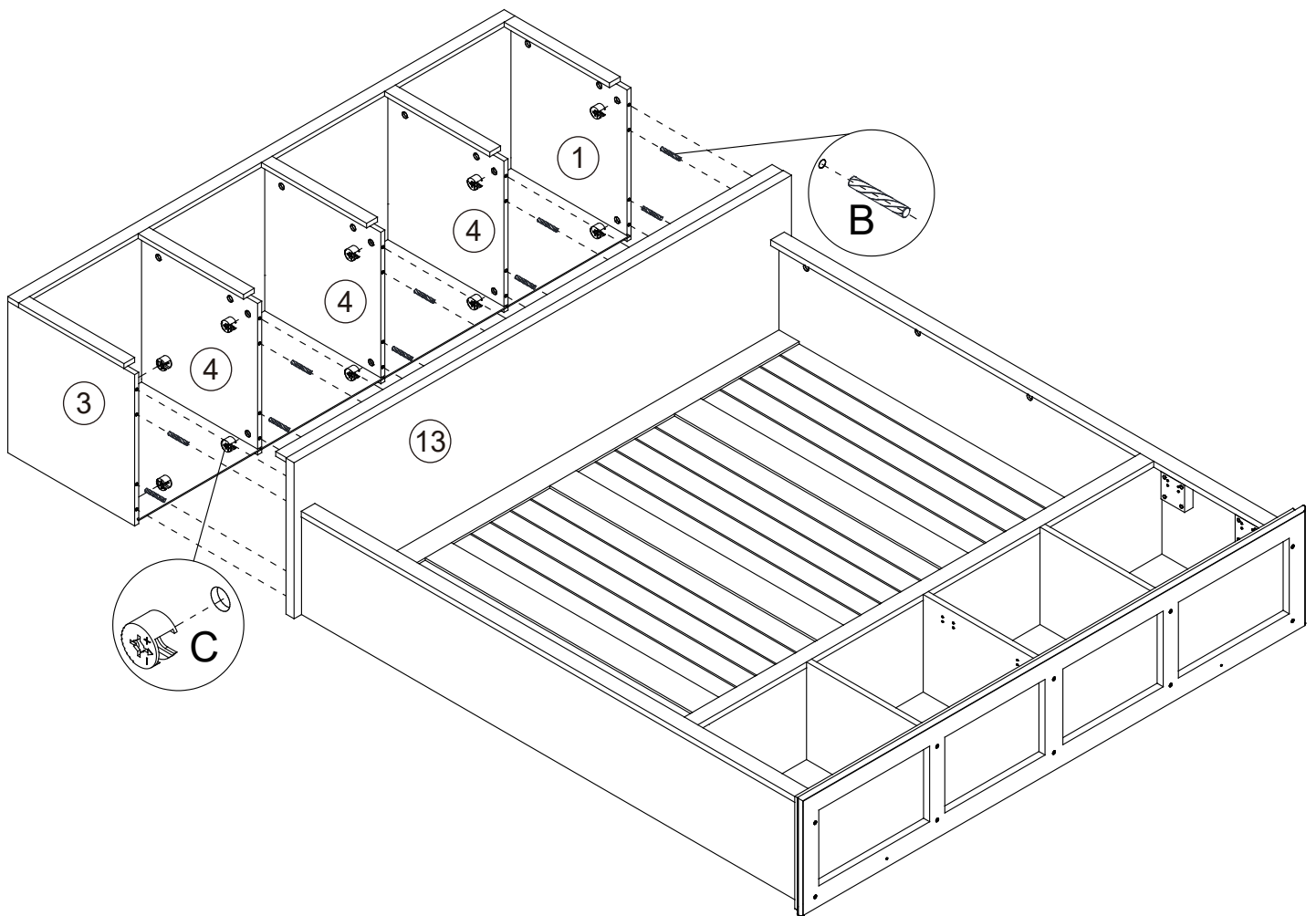
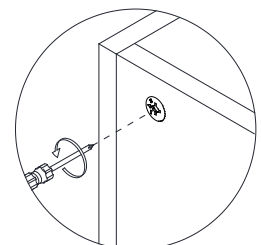
step1



step2

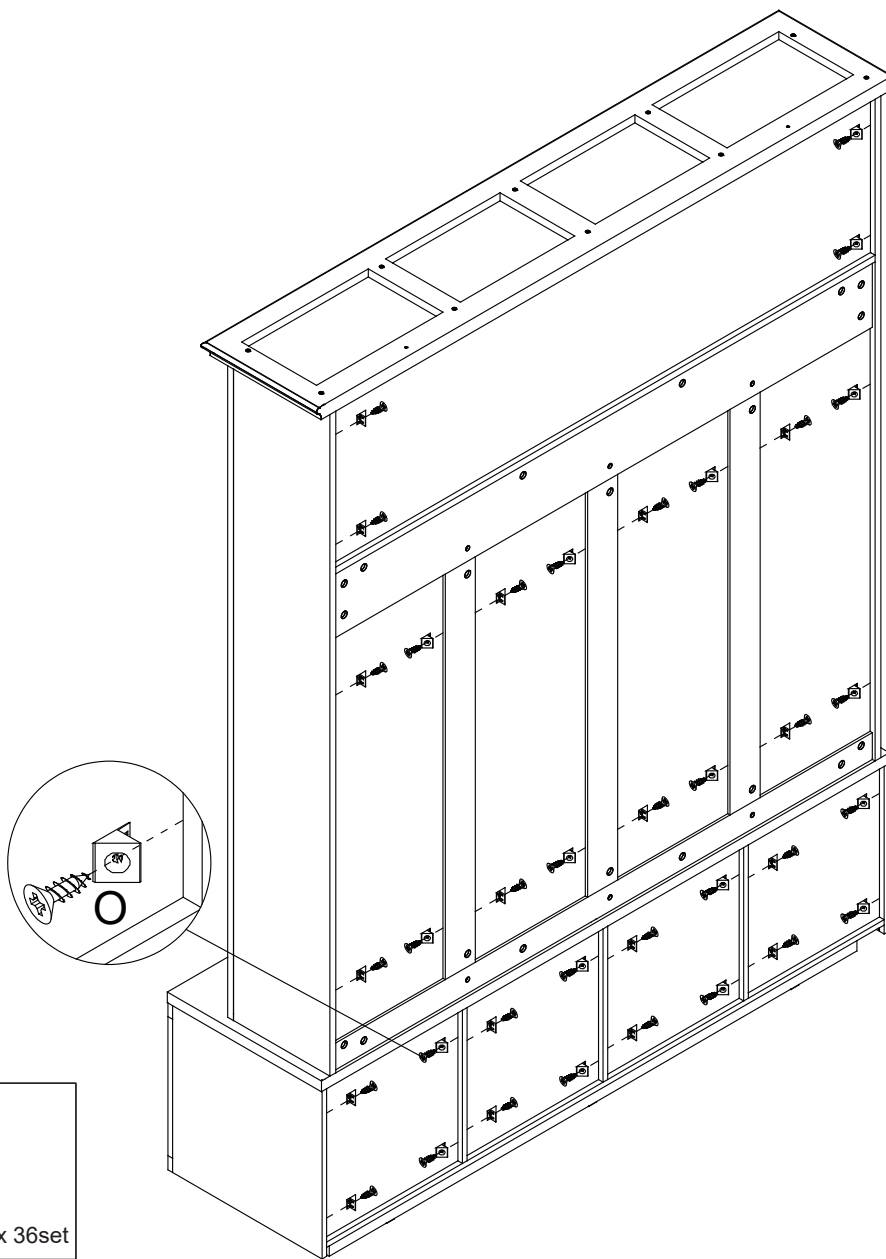


step3

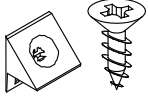


Assembly Instructions

Step 28

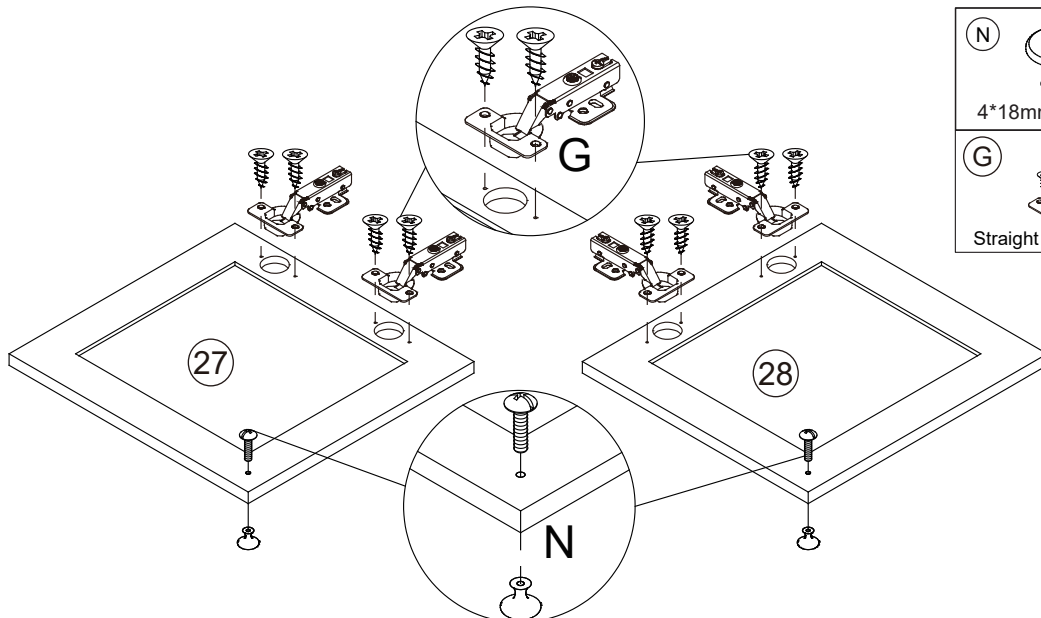


O

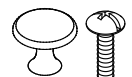


3.5*14mm Back panel clip x 36set

Step 29



N



4*18mm Handle x 2set

G

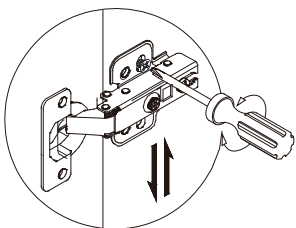


Straight Arm Hinge x 4set

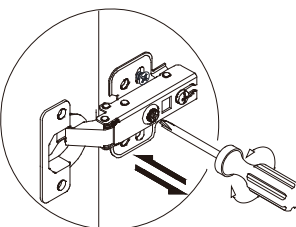
Assembly Instructions

Step 30

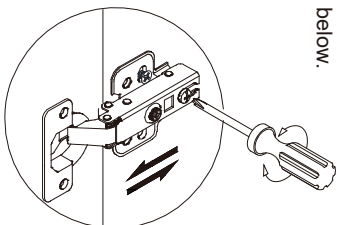
This is used to adjust the door panel in the up and down direction.



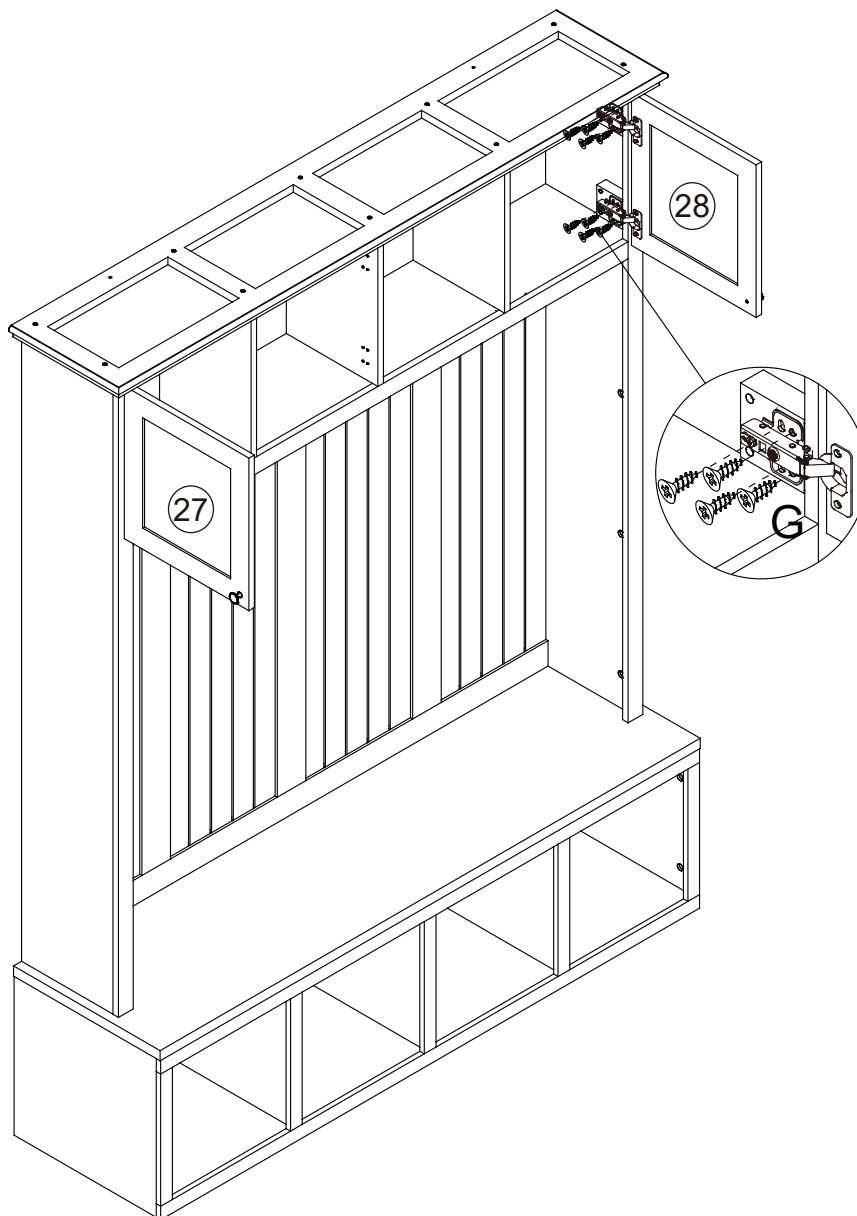
This is used to adjust the door panel in the left and right direction.



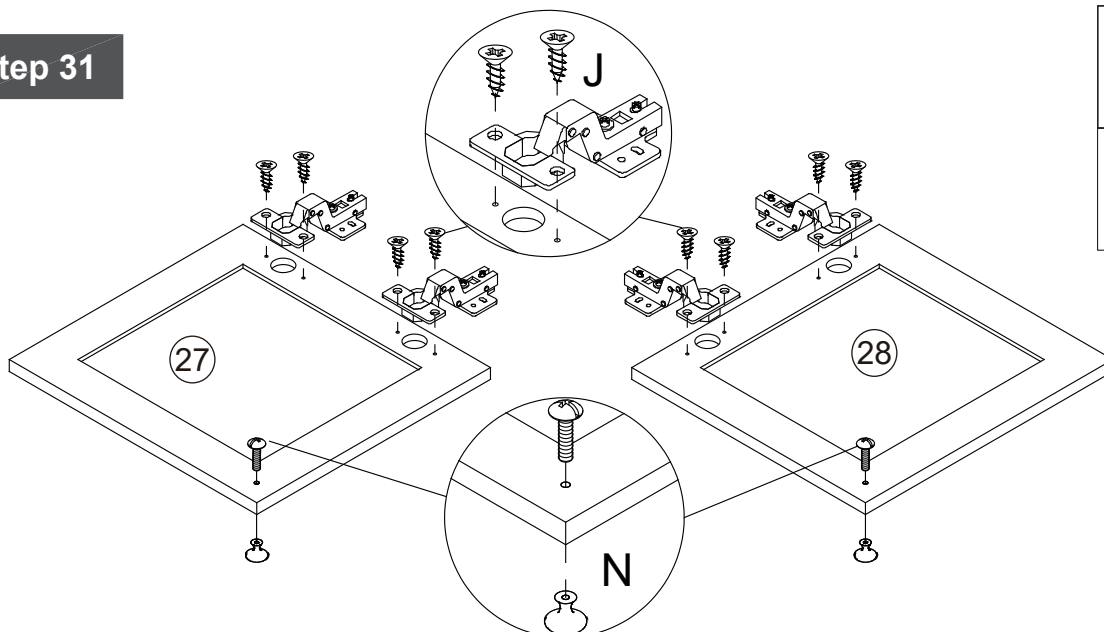
This is used to adjust the door panel in the front and rear direction.

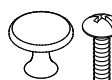
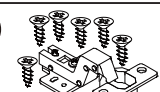


If the door can't close, please adjust the hinges as below.



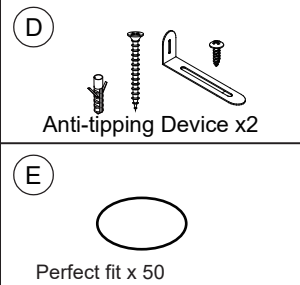
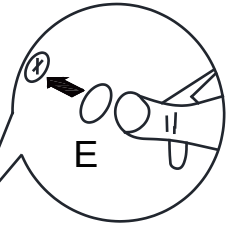
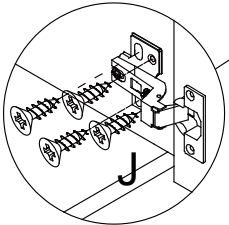
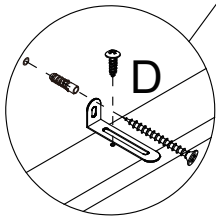
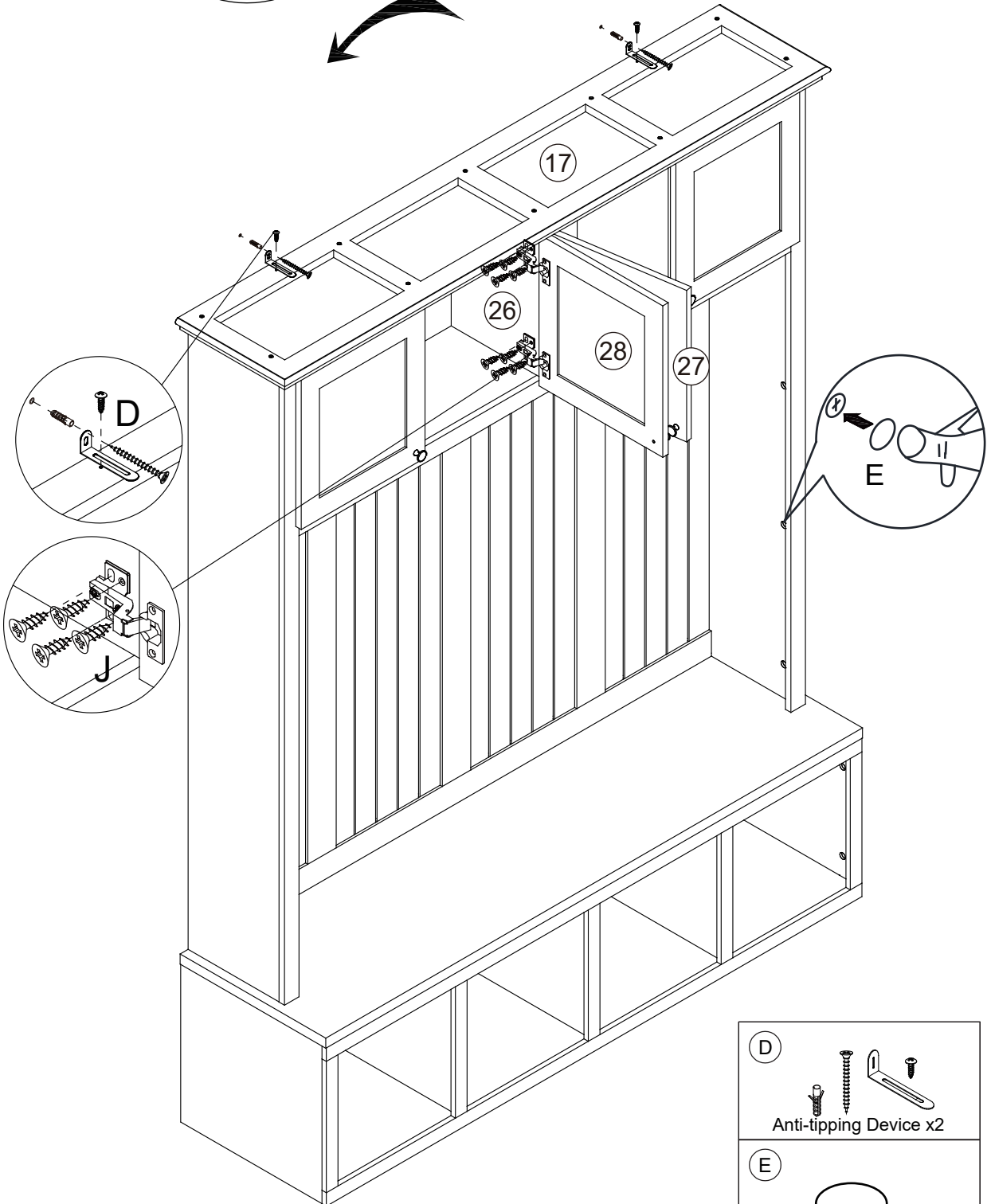
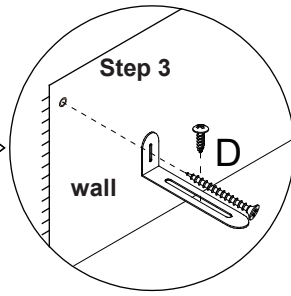
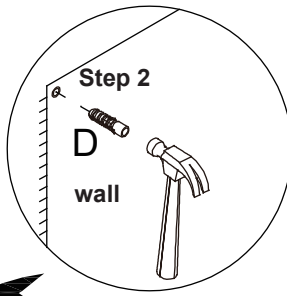
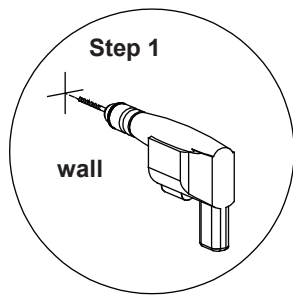
Step 31



- (N)  4*18mm Handle x 2set
- (J)  Half-overlay Hinge x 4set

Assembly Instructions

Step 32



Assembly Instructions

Step 33

