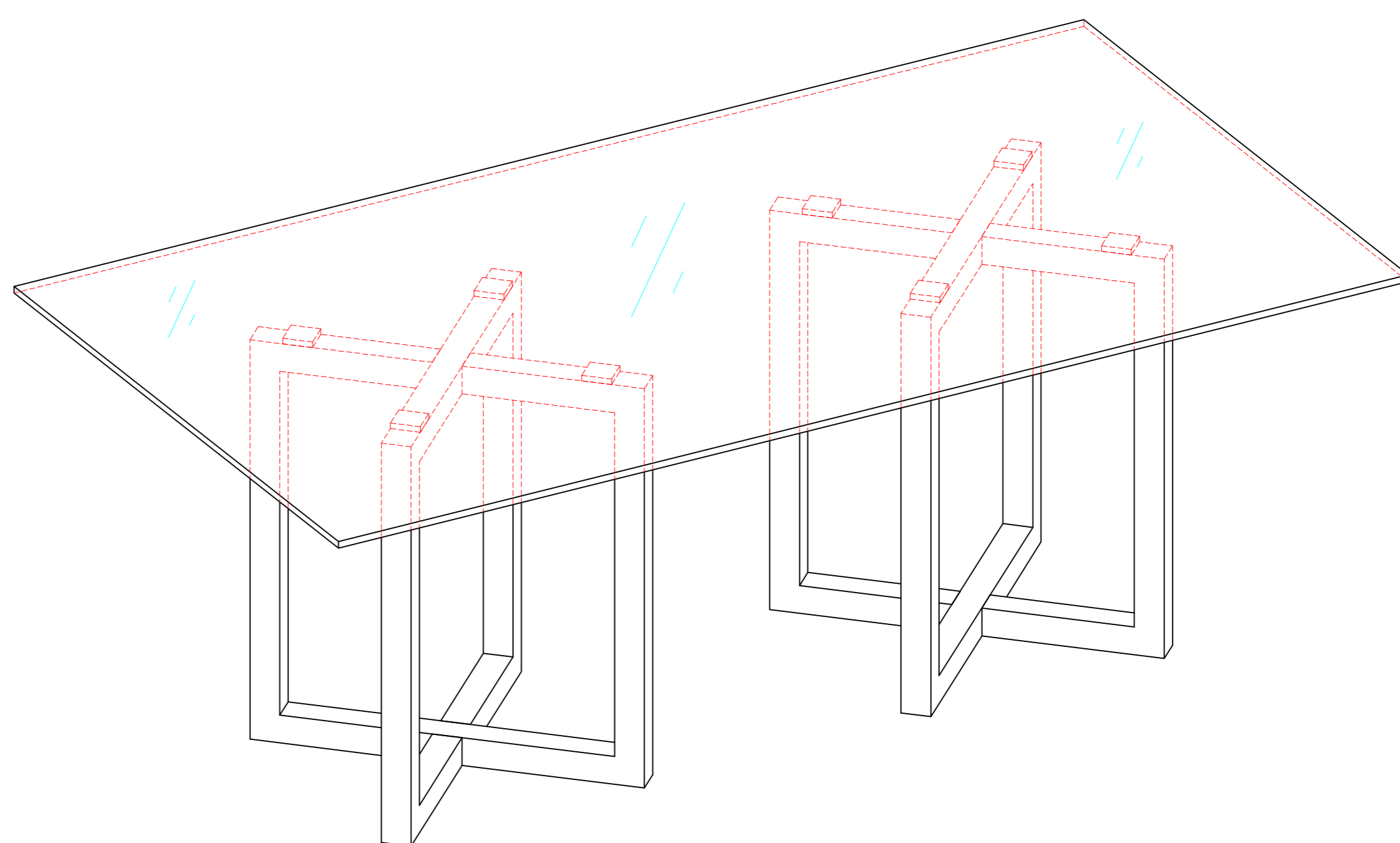
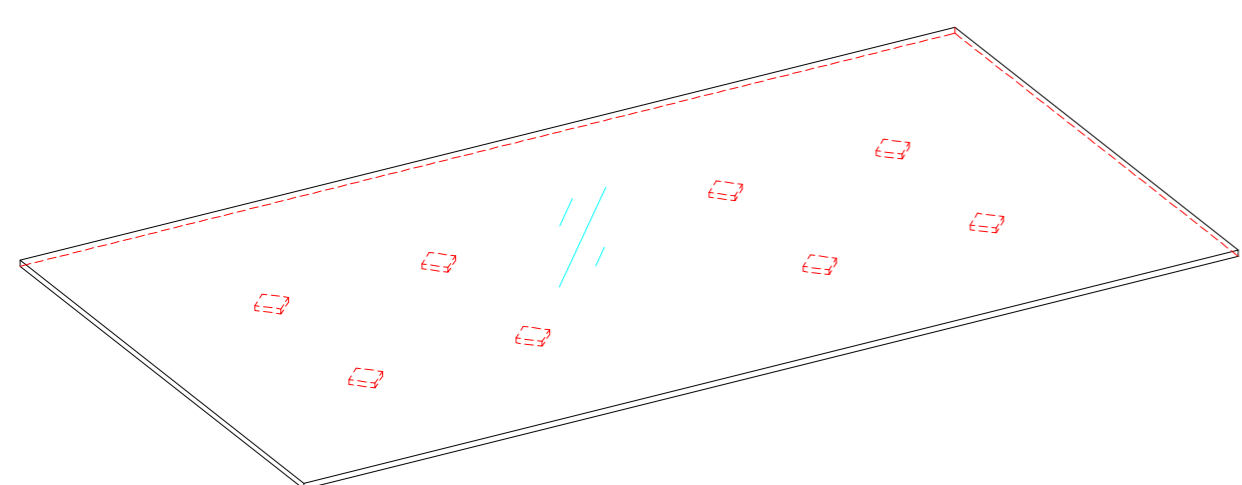


RECTANGULAR GLASS TABLE

ASSEMBLY INSTRUCTIONS

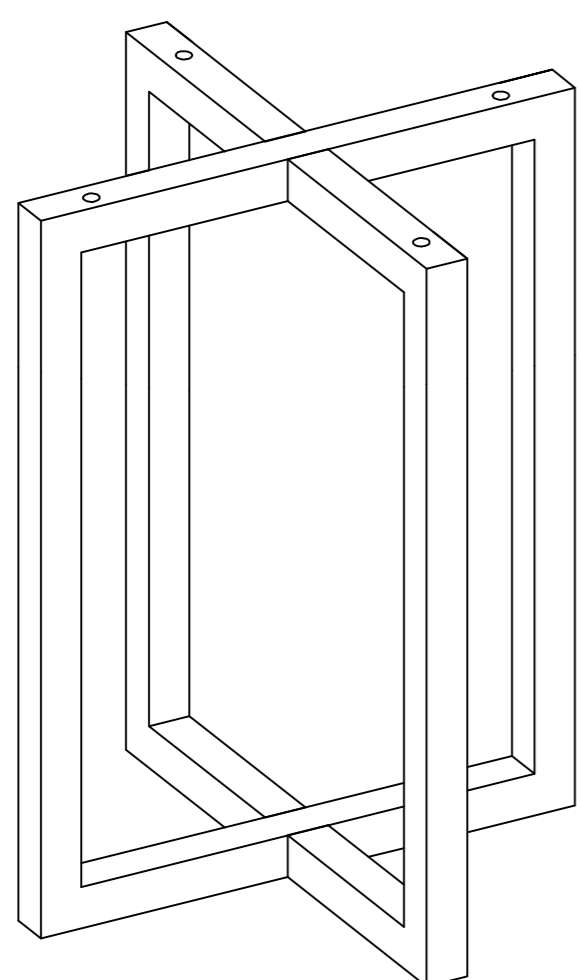
BOX # 1

A. TABLE TOP 1PC



BOX # 2

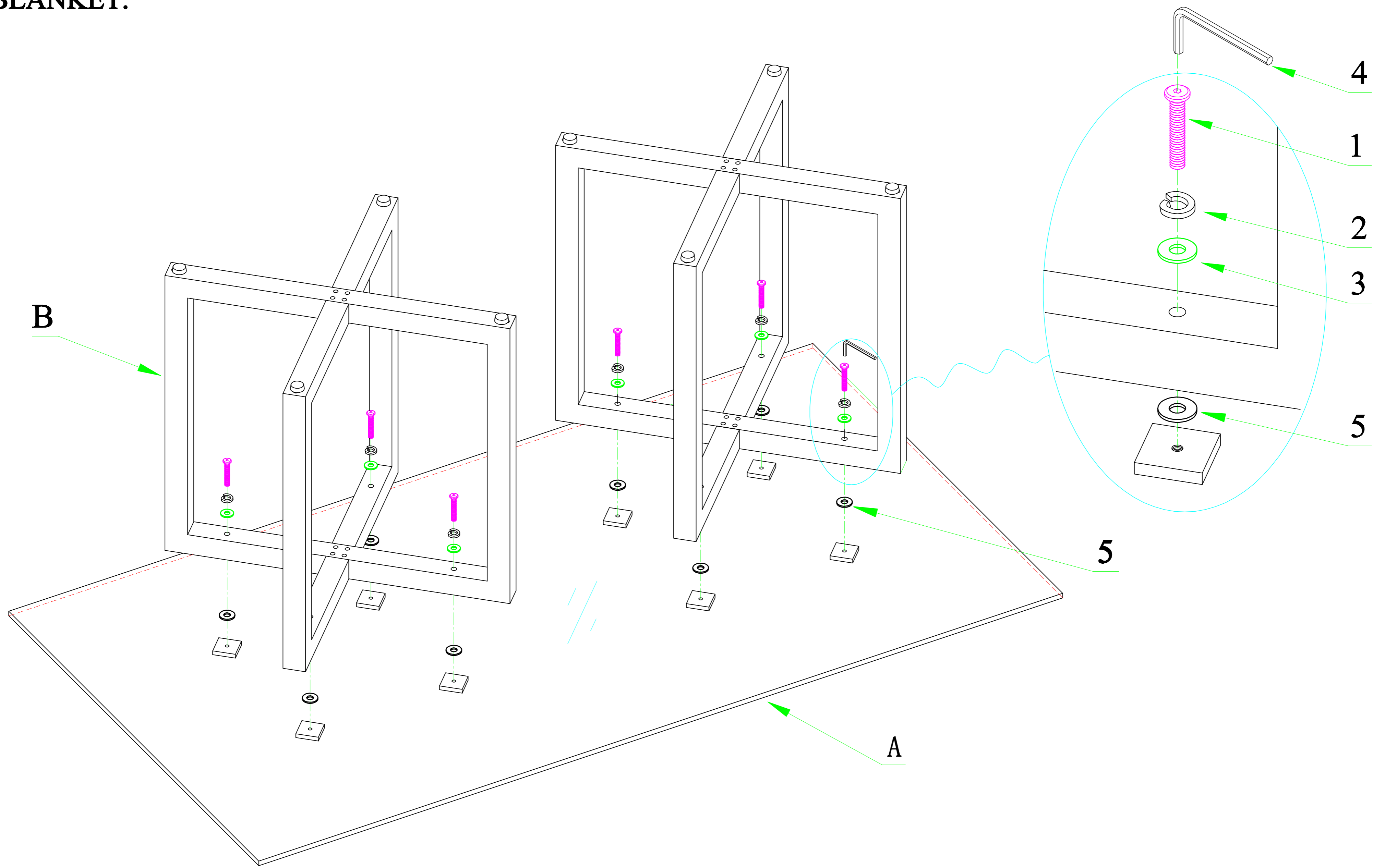
B. BASE 2PCS



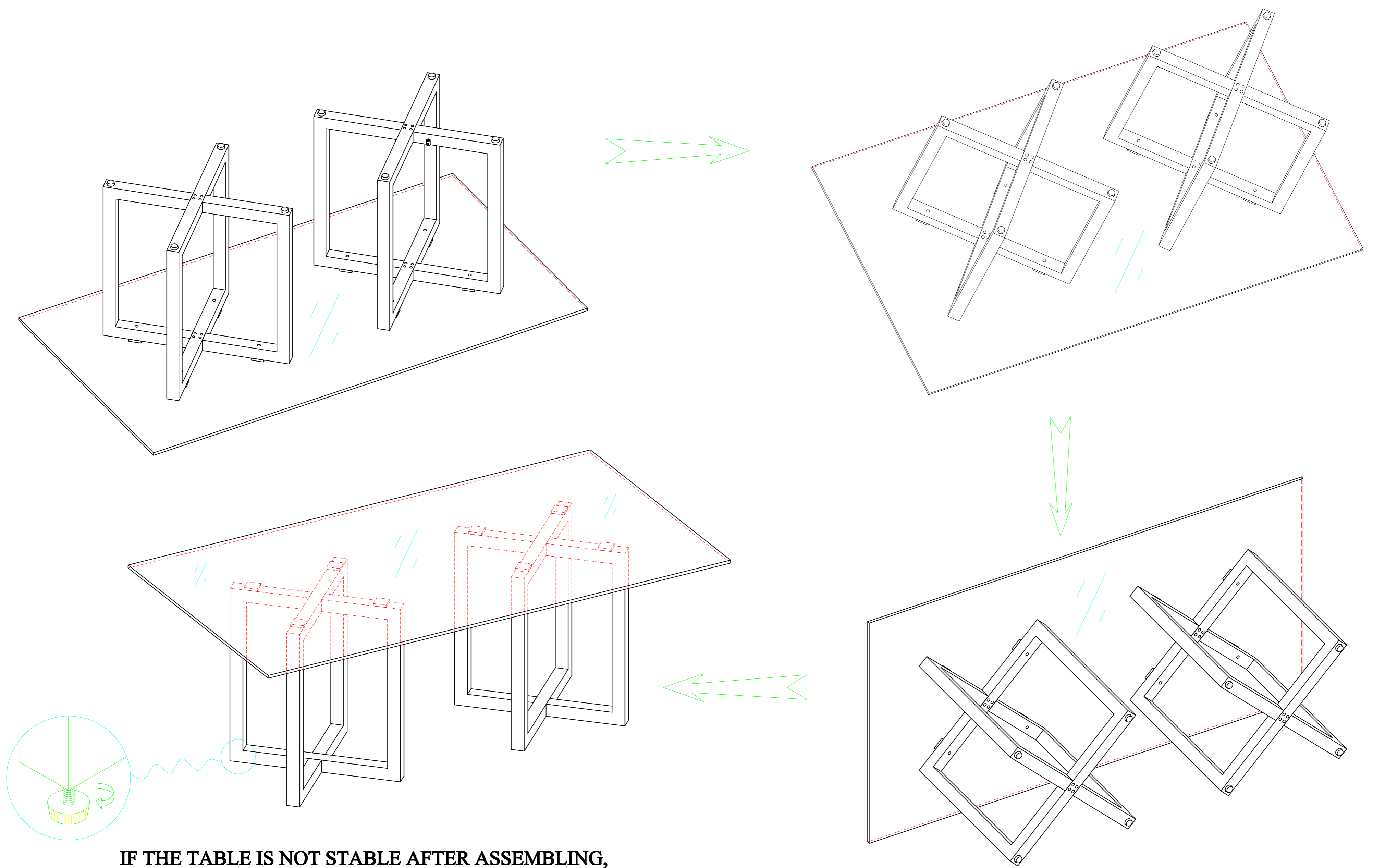
HARDWARE PACKED IN BOX #1

1	ALLEN BOLT (M8X60)	4 PCS	2	SPRING WASHER (M8)		3	FLAT WASHER (M8)	4 PCS	4	ALLEN KEY (M5)	01 PC	5	FELT PAD	4 PCS

STEP 1: ON A FLAT, LEVEL AREA, LAY THE TABLE TOP (A) UPSIDE DOWN ON A CLEAN TOWEL OR BLANKET.



STEP 2: WITH THE HELP OF A SECOND PERSON, TURN THE ASSEMBLED TABLE RIGHTSIDE UP.



IF THE TABLE IS NOT STABLE AFTER ASSEMBLING, PLEASE ADJUST THE LEVELERS ON THE UNDERSIDE OF THE LEGS TO REDUCE WOBBLE.