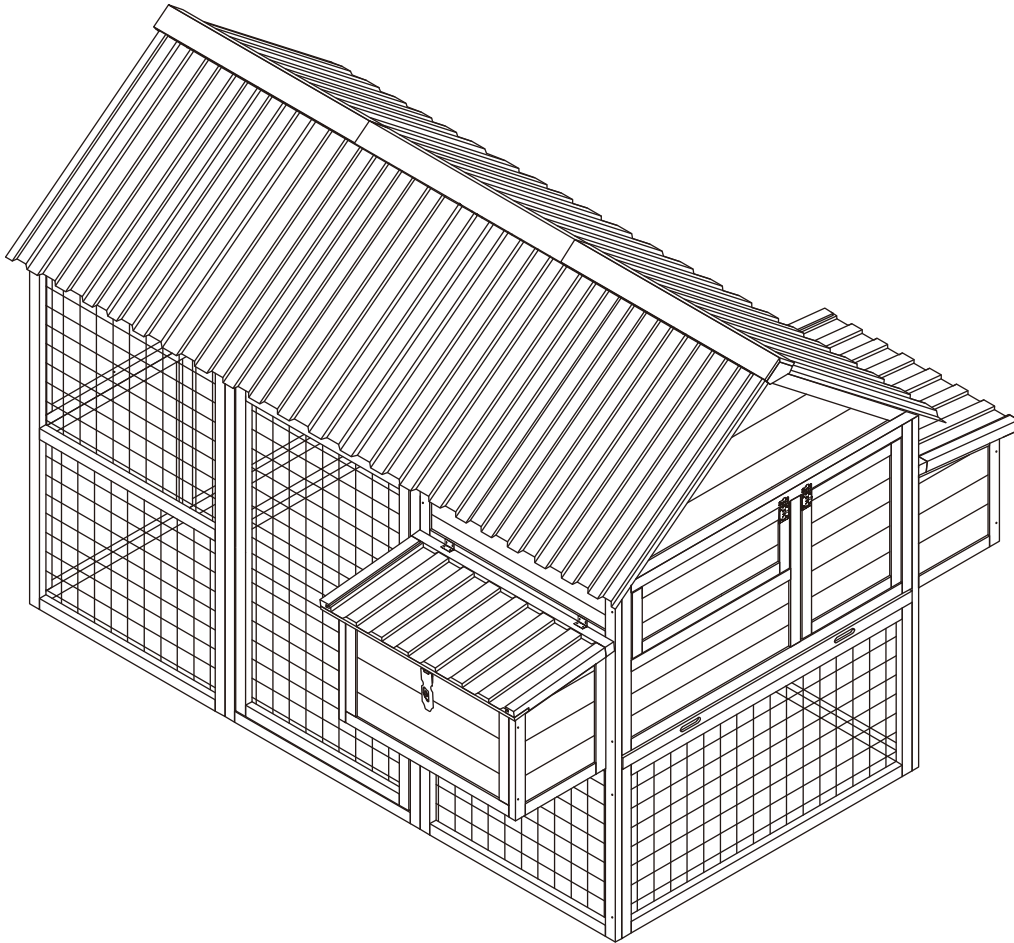


INSTRUCTION MANUAL



Wooden Chicken House

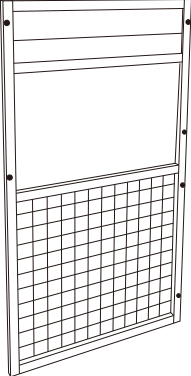
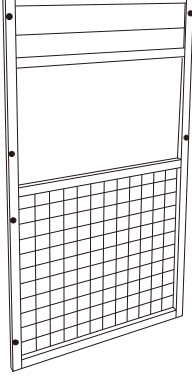
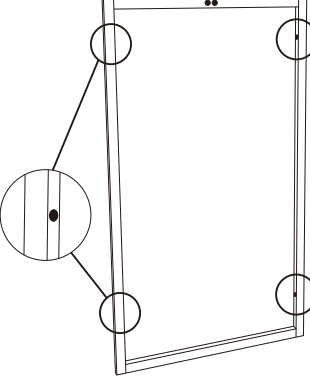
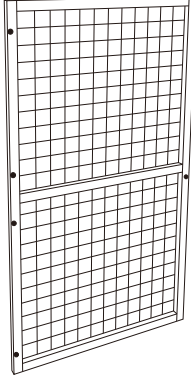
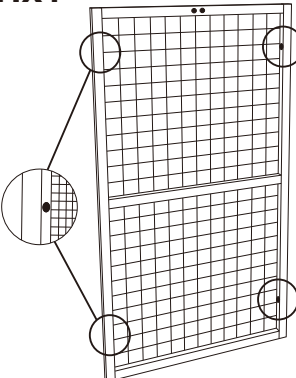
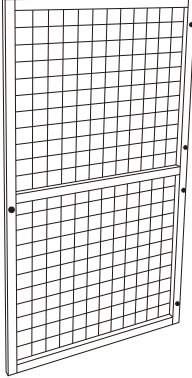
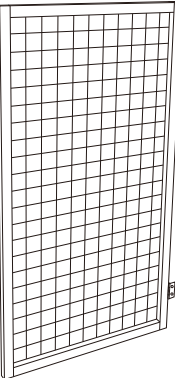
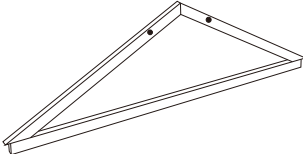
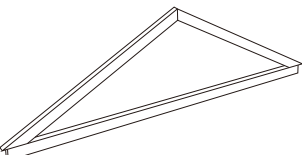
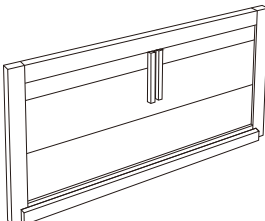
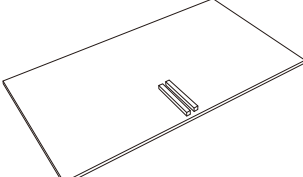
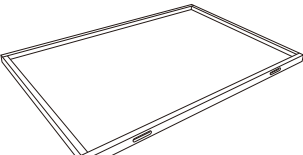
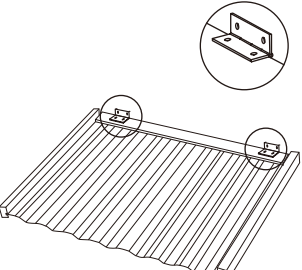
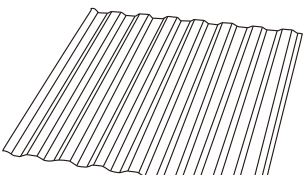
Attention

Thanks for choosing our product.

1. Before assembly, please check carefully if you have received all the parts as listed below. If you have any missing or damaged parts, feel free to contact us for help.
2. We recommend to assemble the cage with 2 people.
3. Please wear protective gloves when assembling. Power tools are highly recommended for screwing.

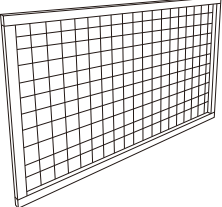
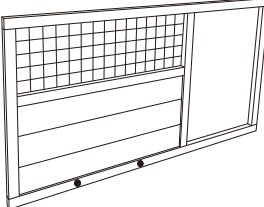
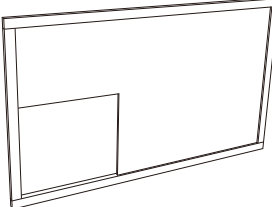
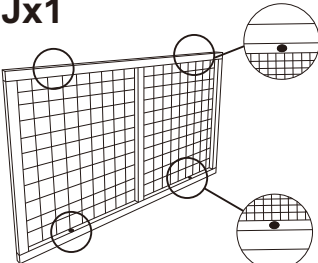
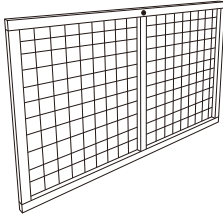

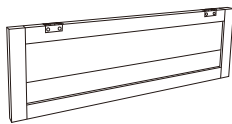
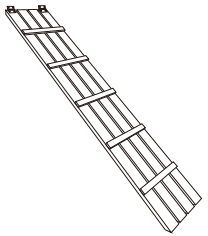
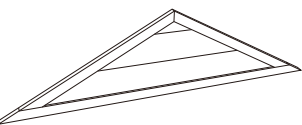
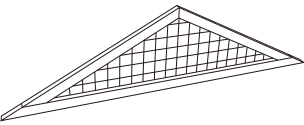
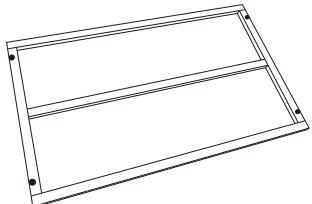

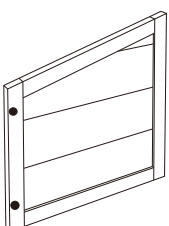
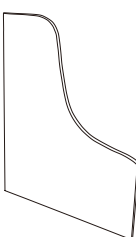
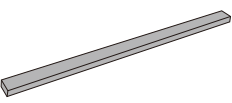
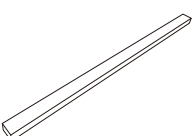
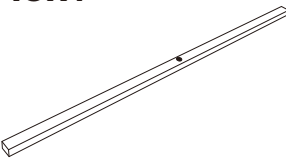
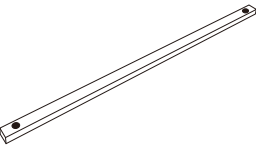
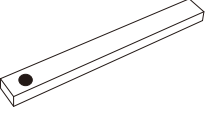
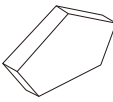
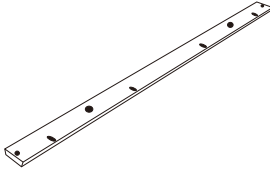
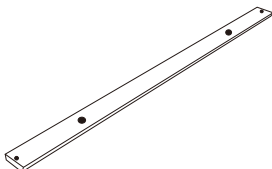

PACKING DETAILS: TOTAL 2 CARTONS

CARTON A

Ax1 	Bx1 	Fx1 	Gx1 
Hx1 	Ix1 	Lx1 	Qx1 
Rx1 	Wx2 	Xx2 	Zx1 
Alx2 	AJx8 		

PACKING DETAILS: TOTAL 2 CARTONS

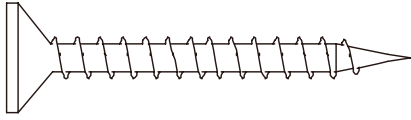
CARTON B

<p>Cx1</p> 	<p>Dx1</p> 	<p>Ex1</p> 	<p>Jx1</p> 
<p>Kx1</p> 	<p>Mx1</p> 	<p>Nx1</p> 	<p>Ox1</p> 
<p>Px1</p> 	<p>Sx1</p> 	<p>Tx4</p> 	<p>Ux2</p> 
<p>Vx2</p> 	<p>Yx2</p> 	<p>AAx2</p>  <p>L64.5 cm</p>	<p>ABx1</p>  <p>L64 cm</p>
<p>ACx1</p>  <p>L101 cm</p>	<p>ADx2</p> 	<p>AEx2</p> 	<p>AFx2</p> 
<p>AGx3</p> 	<p>AHx3</p> 	<p>Hardware Kit</p> 	



Hardware Kit

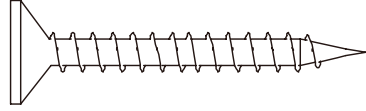
S1



M3.5x30mm

78 PCS

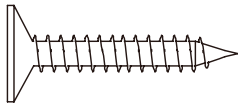
S2



M3.5x25mm

18 PCS

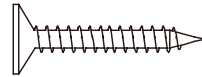
S3



M3.5x20mm

48 PCS

S4



M3x18mm

16 PCS

S5



M3x10mm

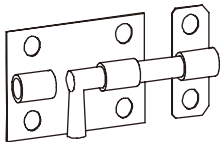
60 PCS

S6



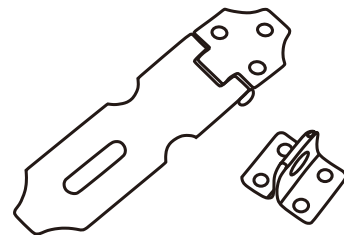
2 PCS

S7



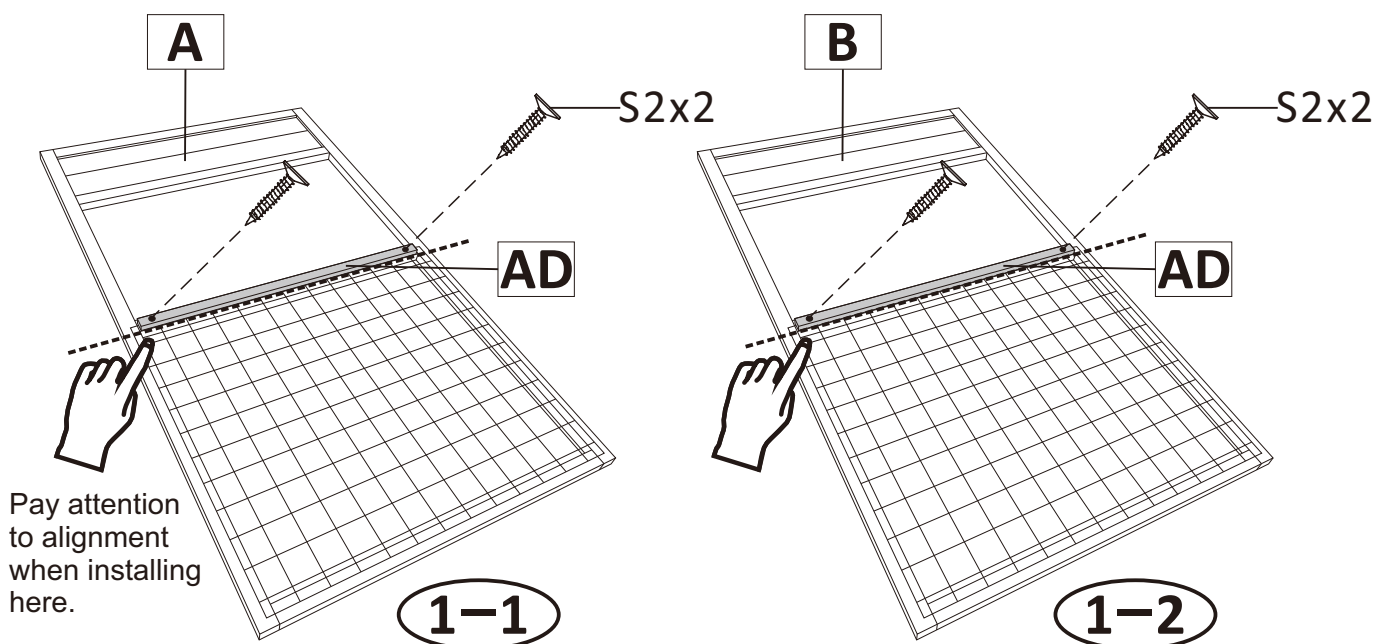
3 PCS

S8

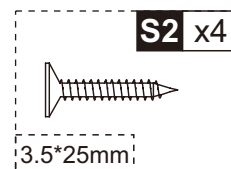


2 PCS

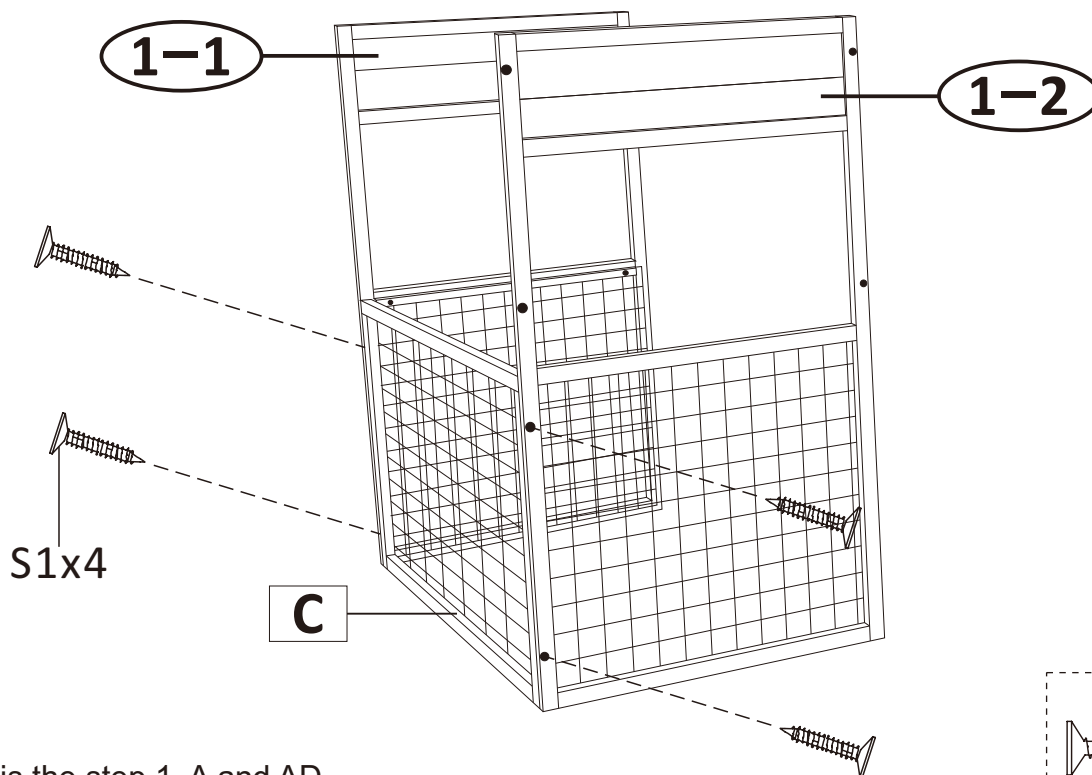
STEP 1



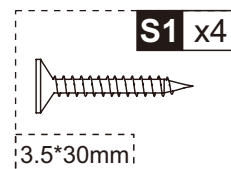
AD needs to be installed on the back side of A and B.



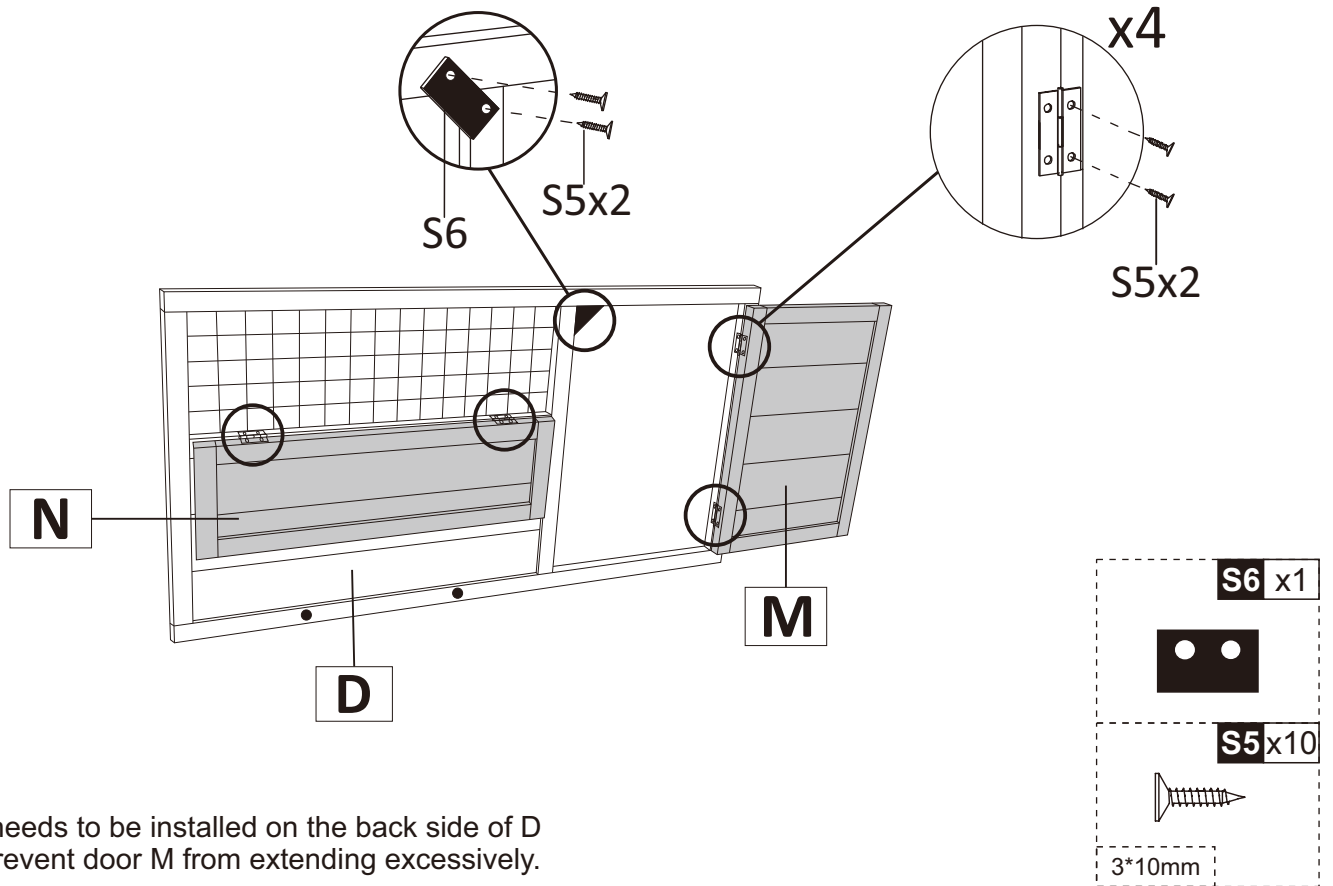
STEP 2



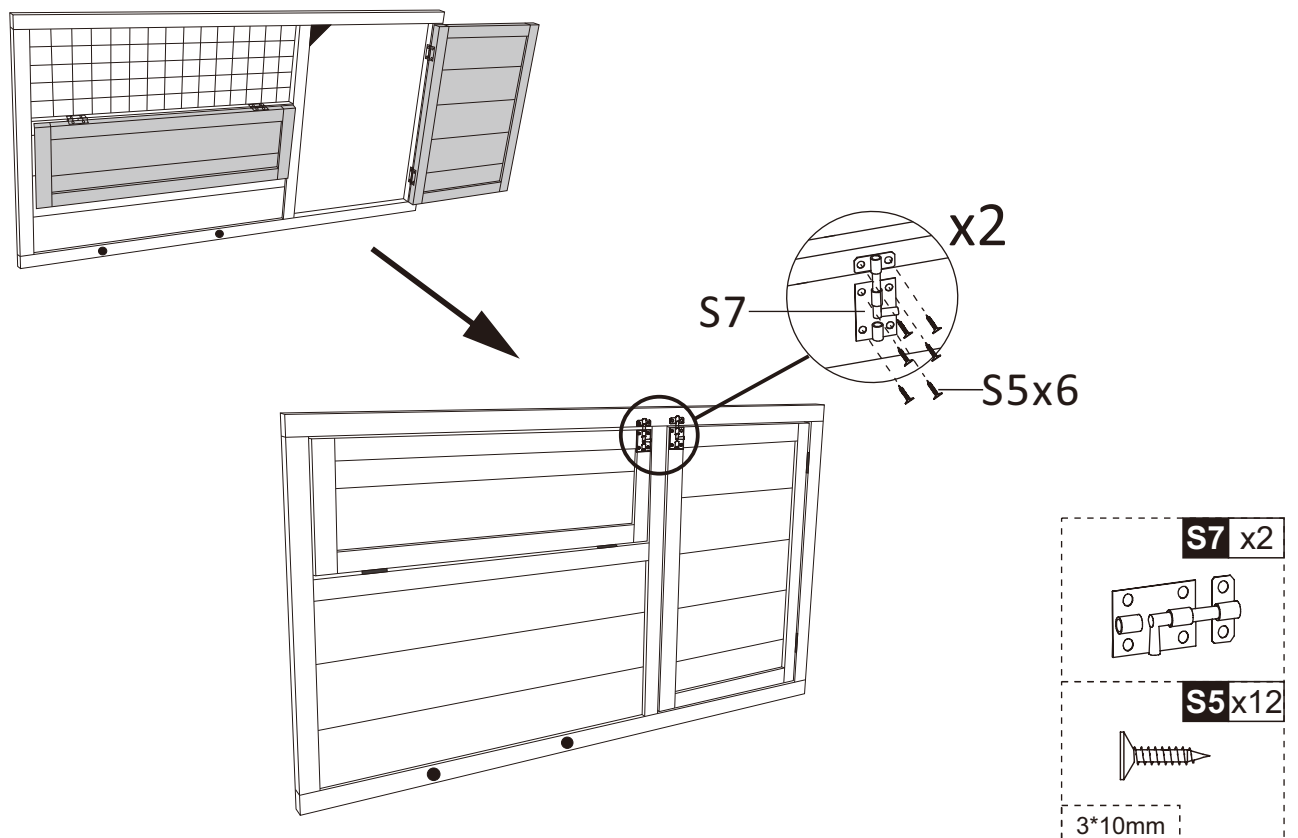
No.1-1 is the step 1, A and AD.
No.1-2 is the step 1, B and AD.



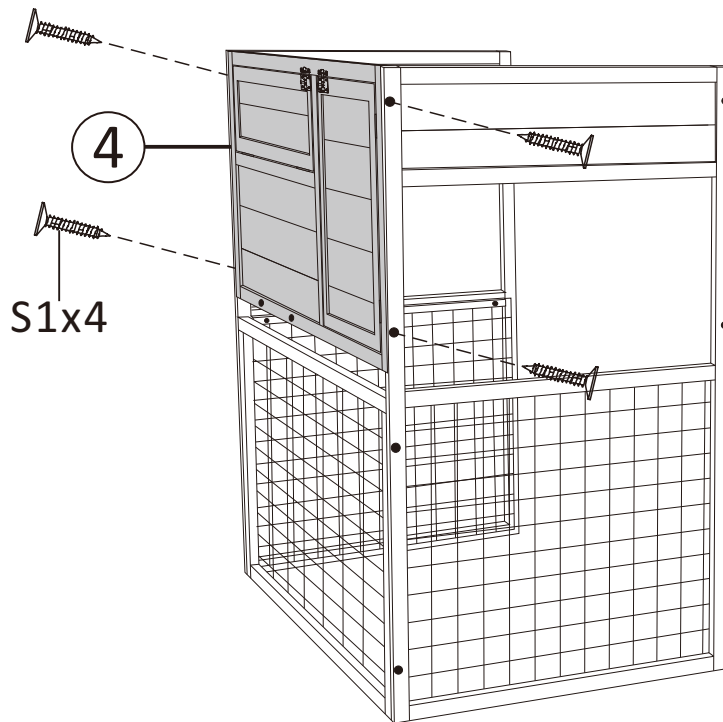
STEP 3



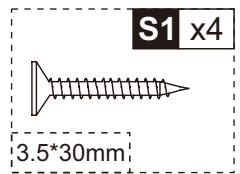
STEP 4



STEP 5

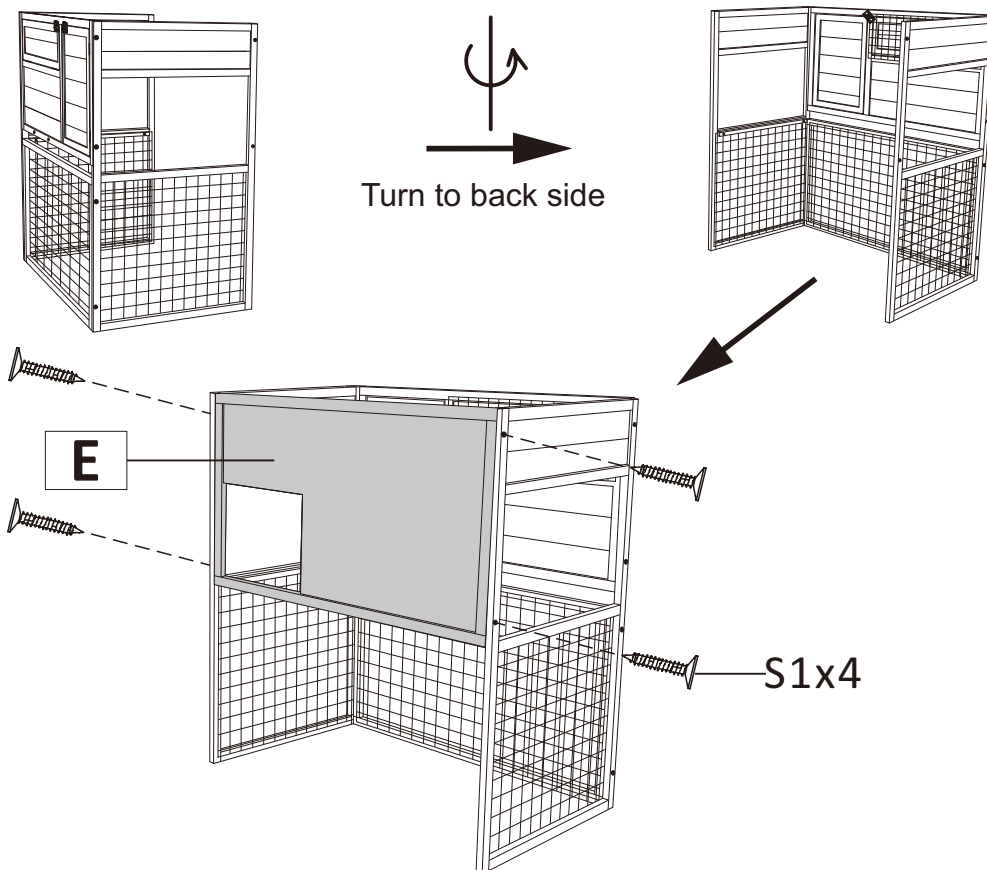


S1x4



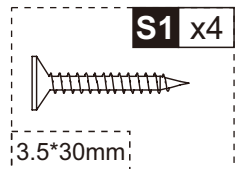
No.4 is the step 4, D,M and N.

STEP 6

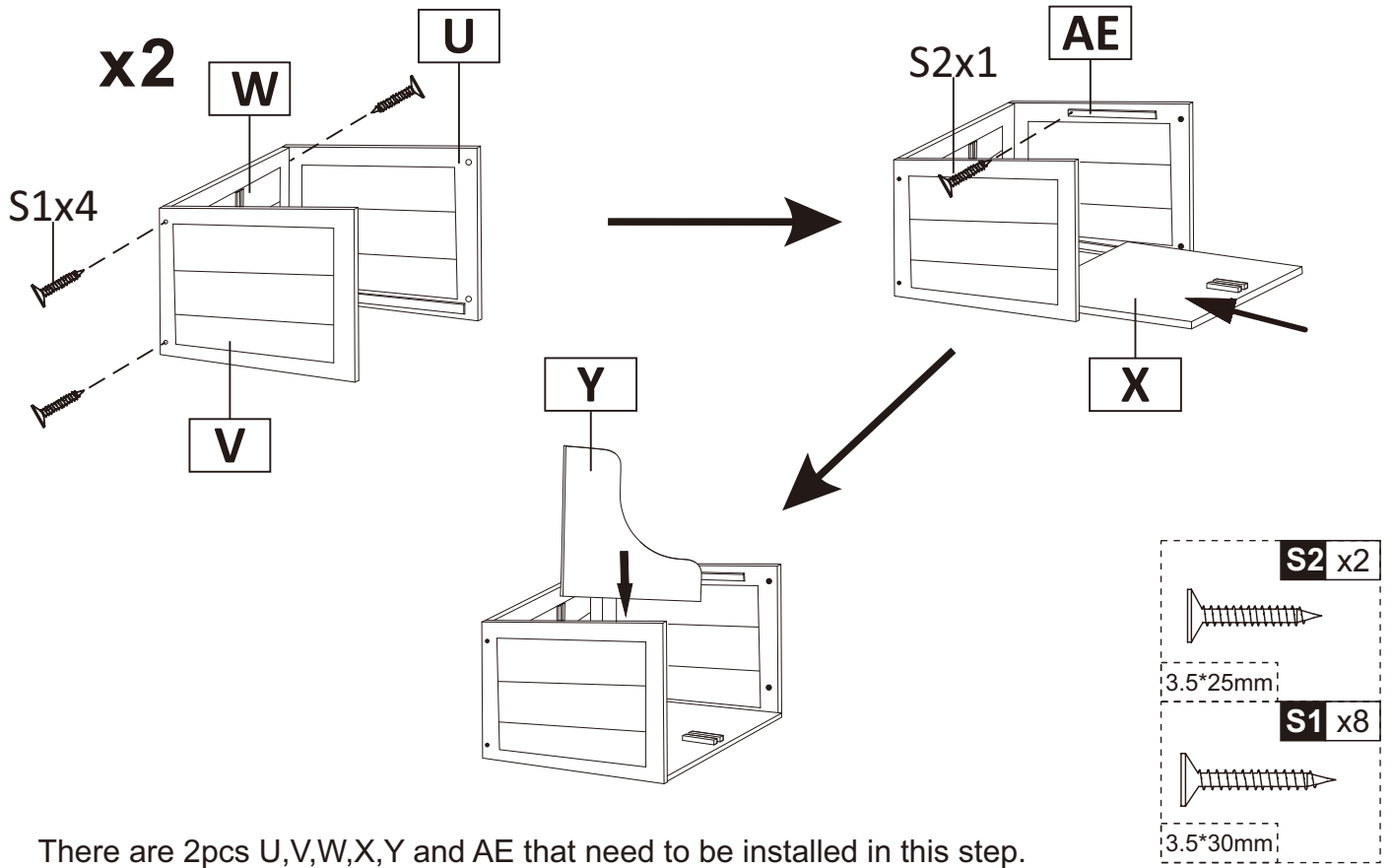


Turn to back side

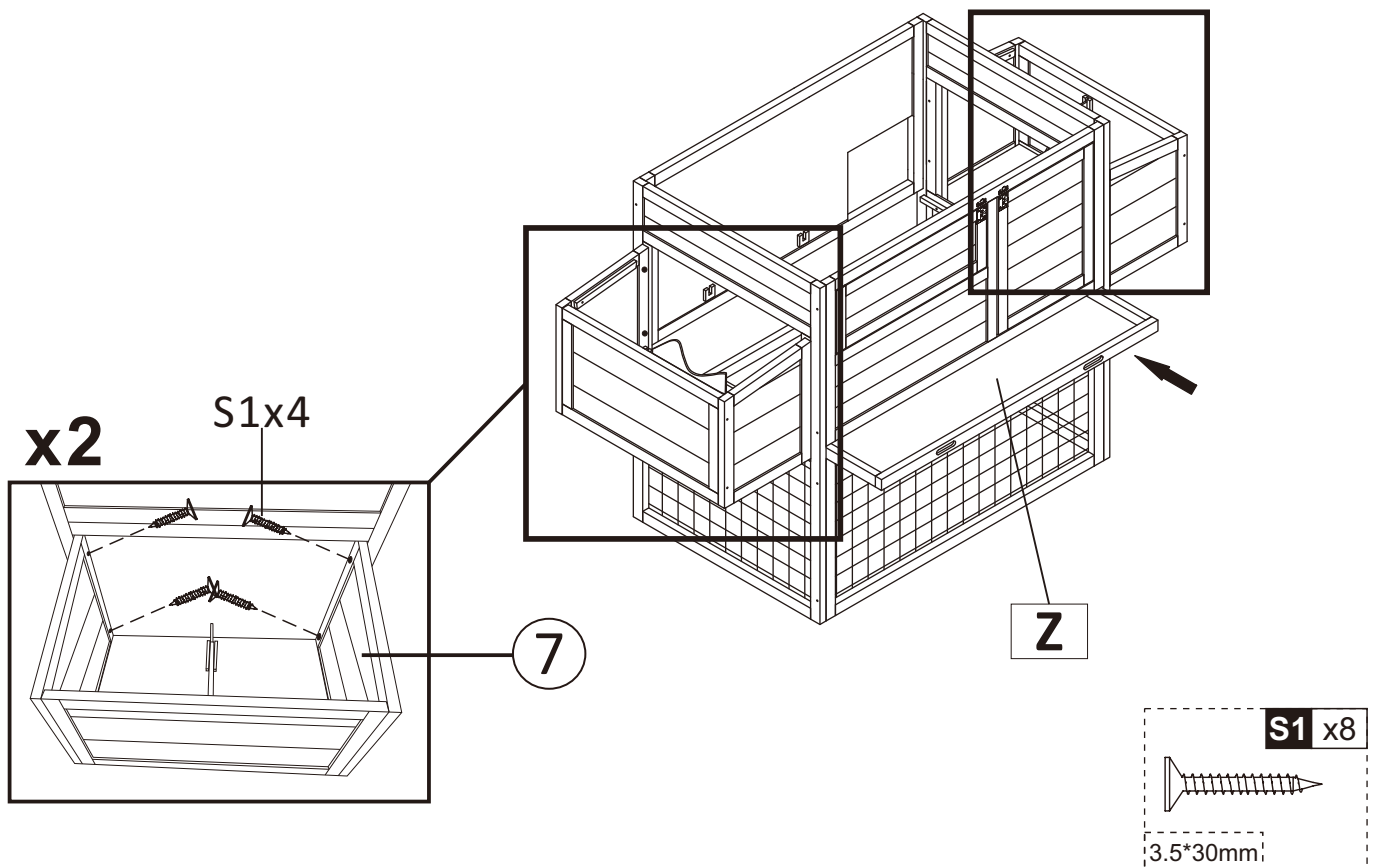
S1x4



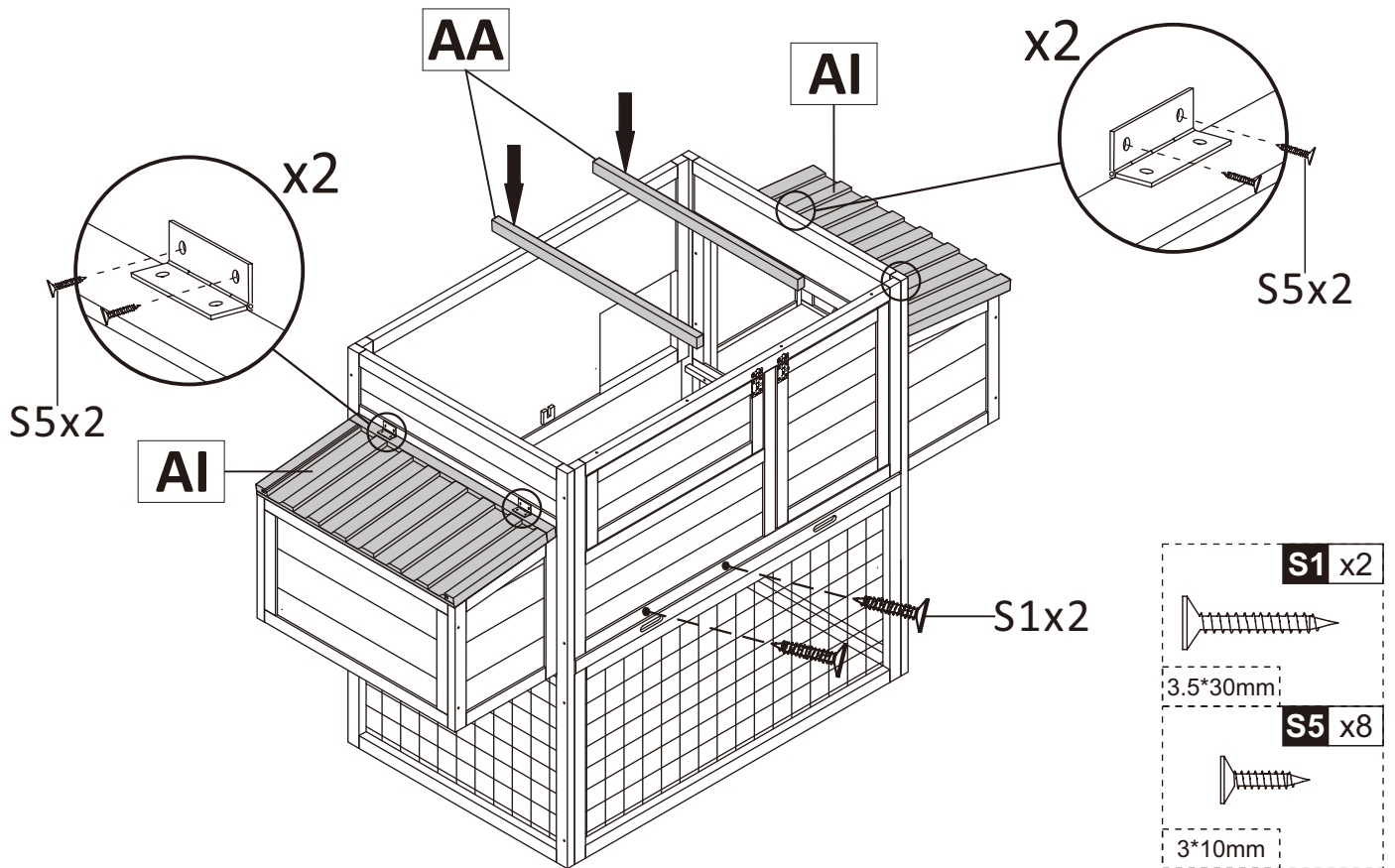
STEP 7



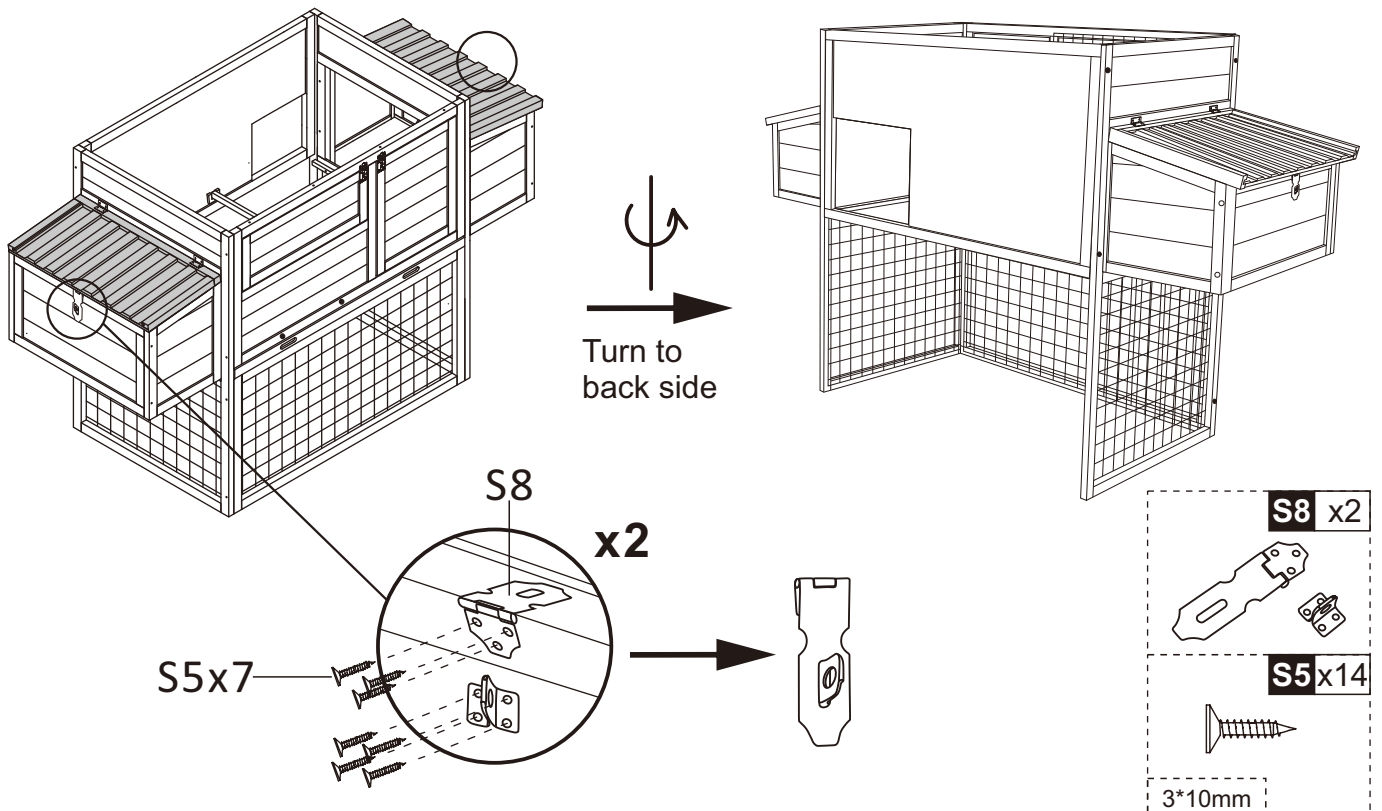
STEP 8



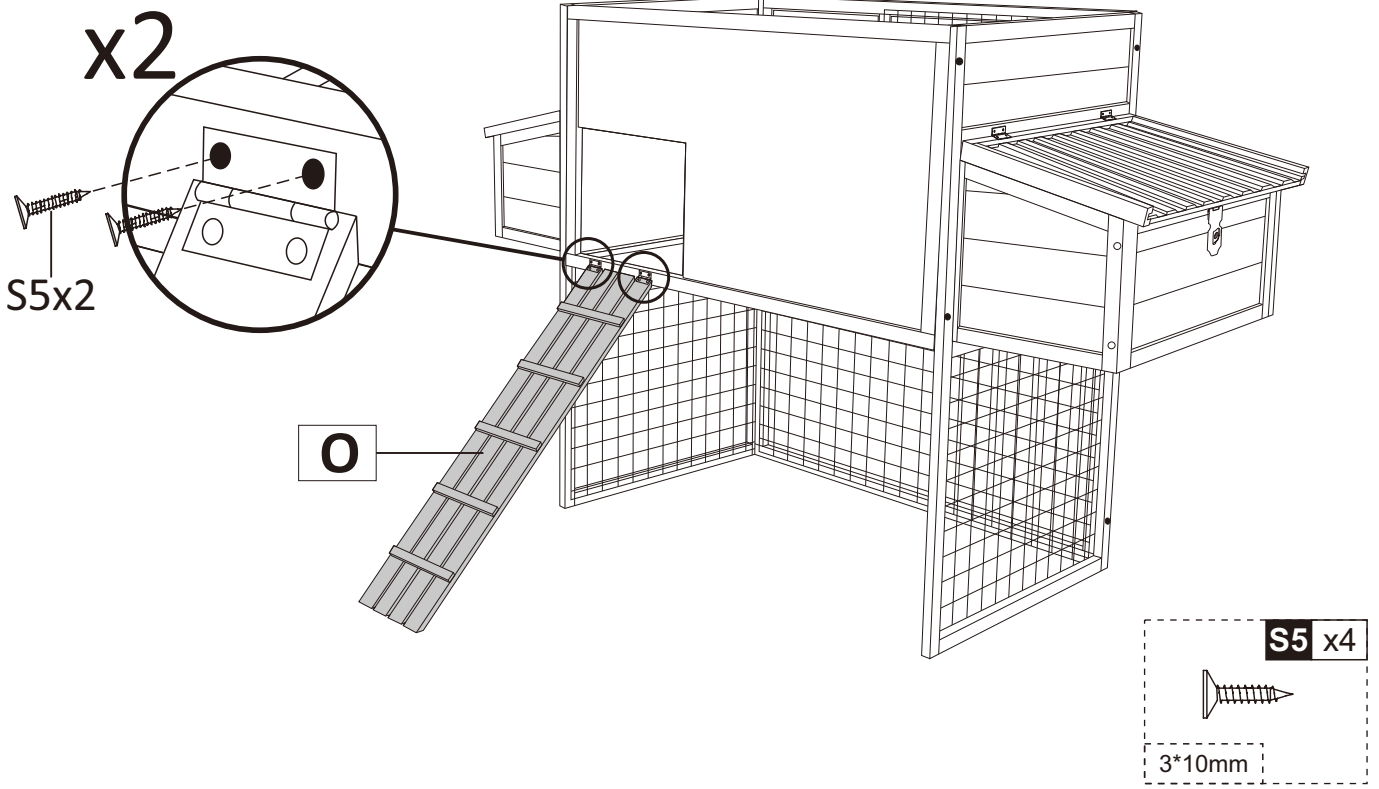
STEP 9



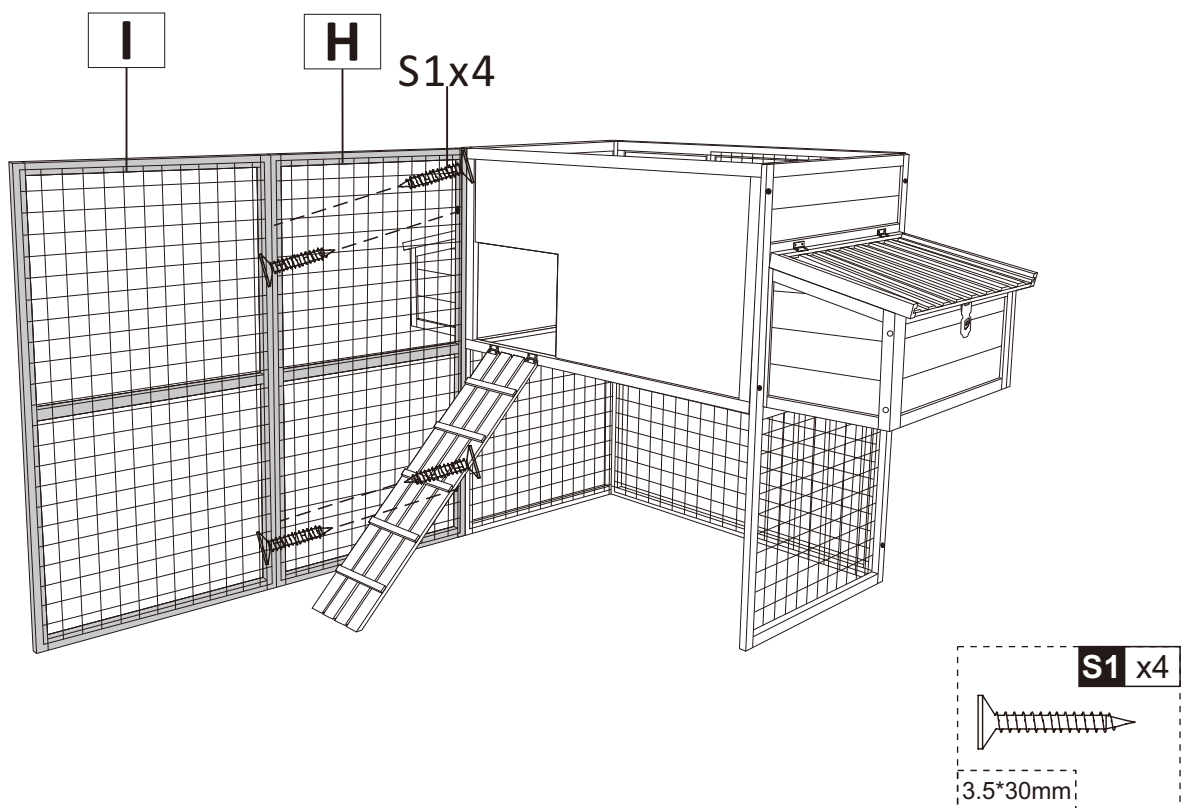
STEP 10



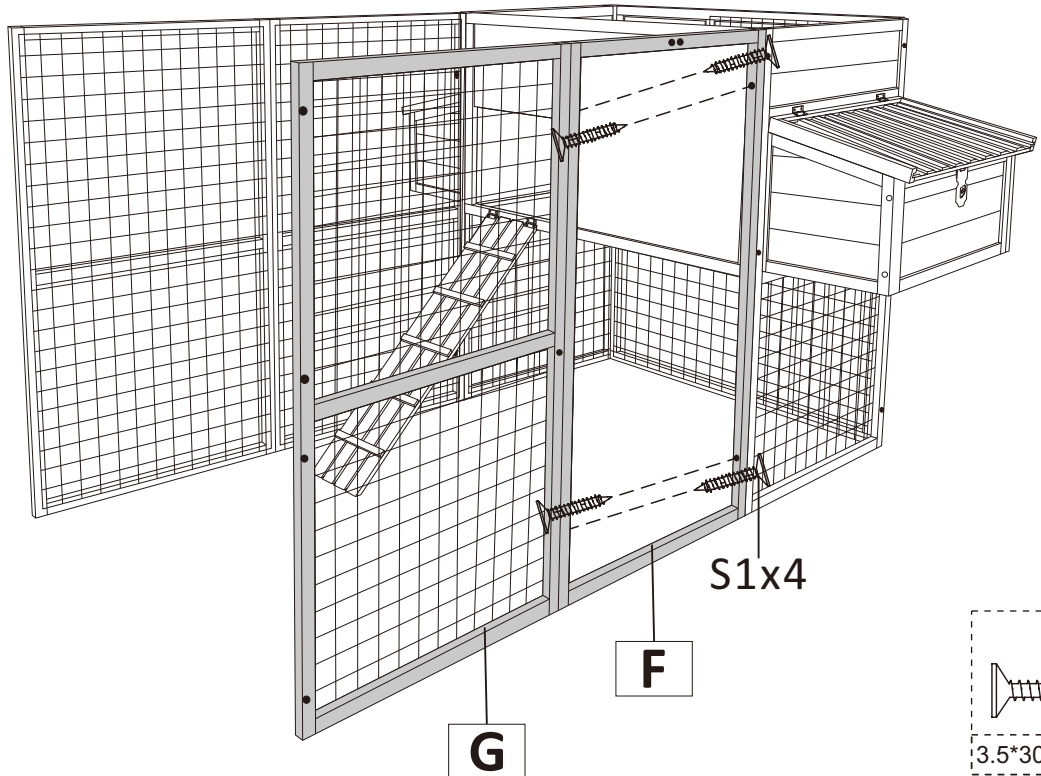
STEP 11



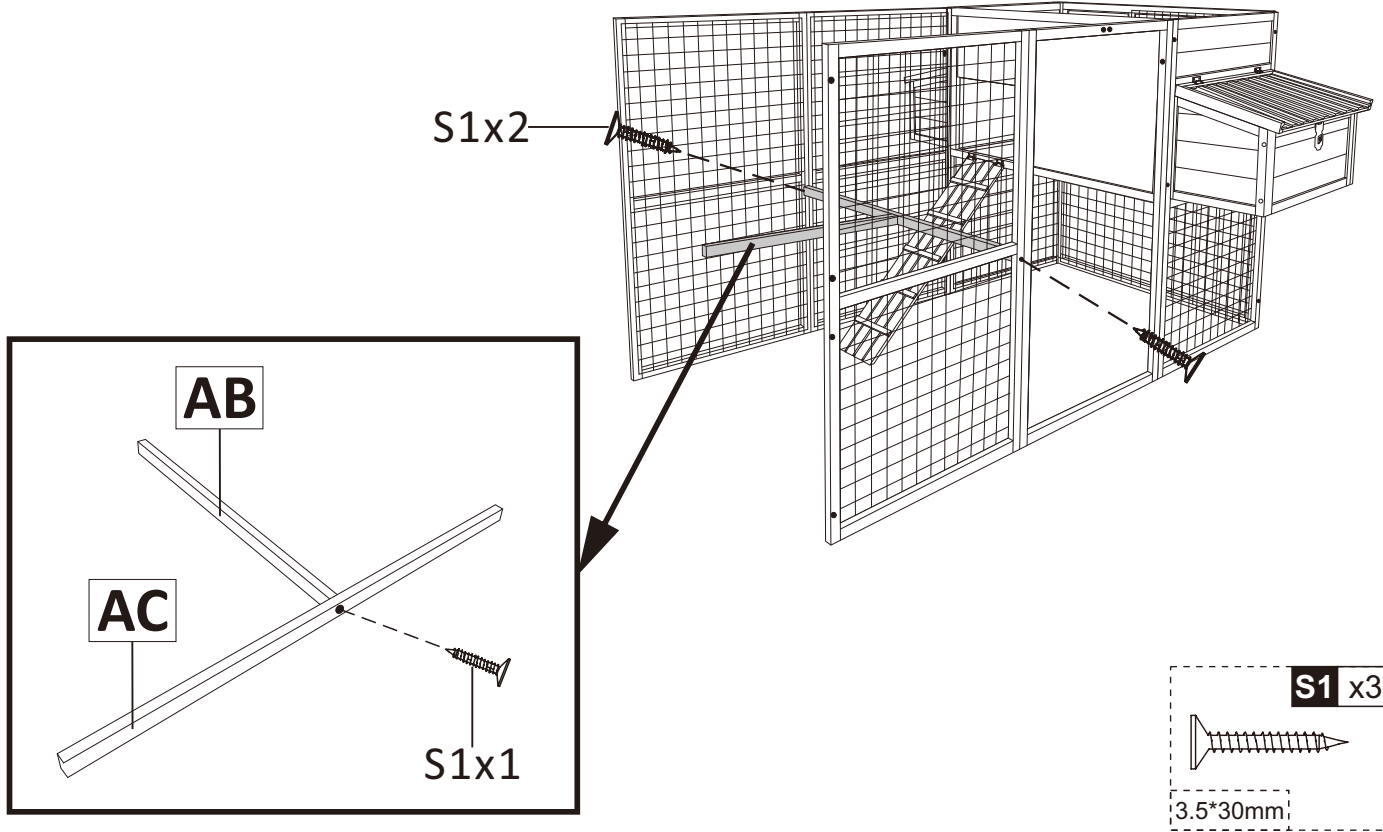
STEP 12



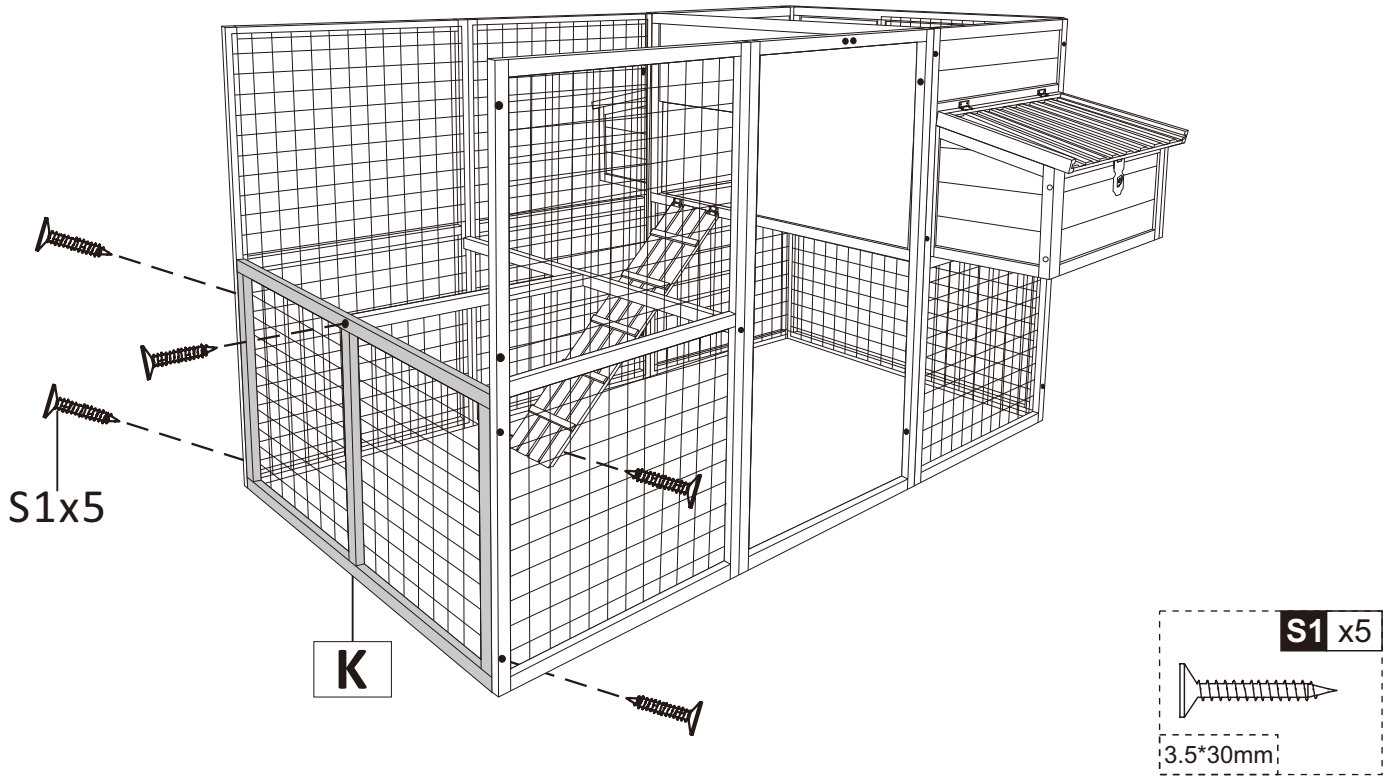
STEP 13



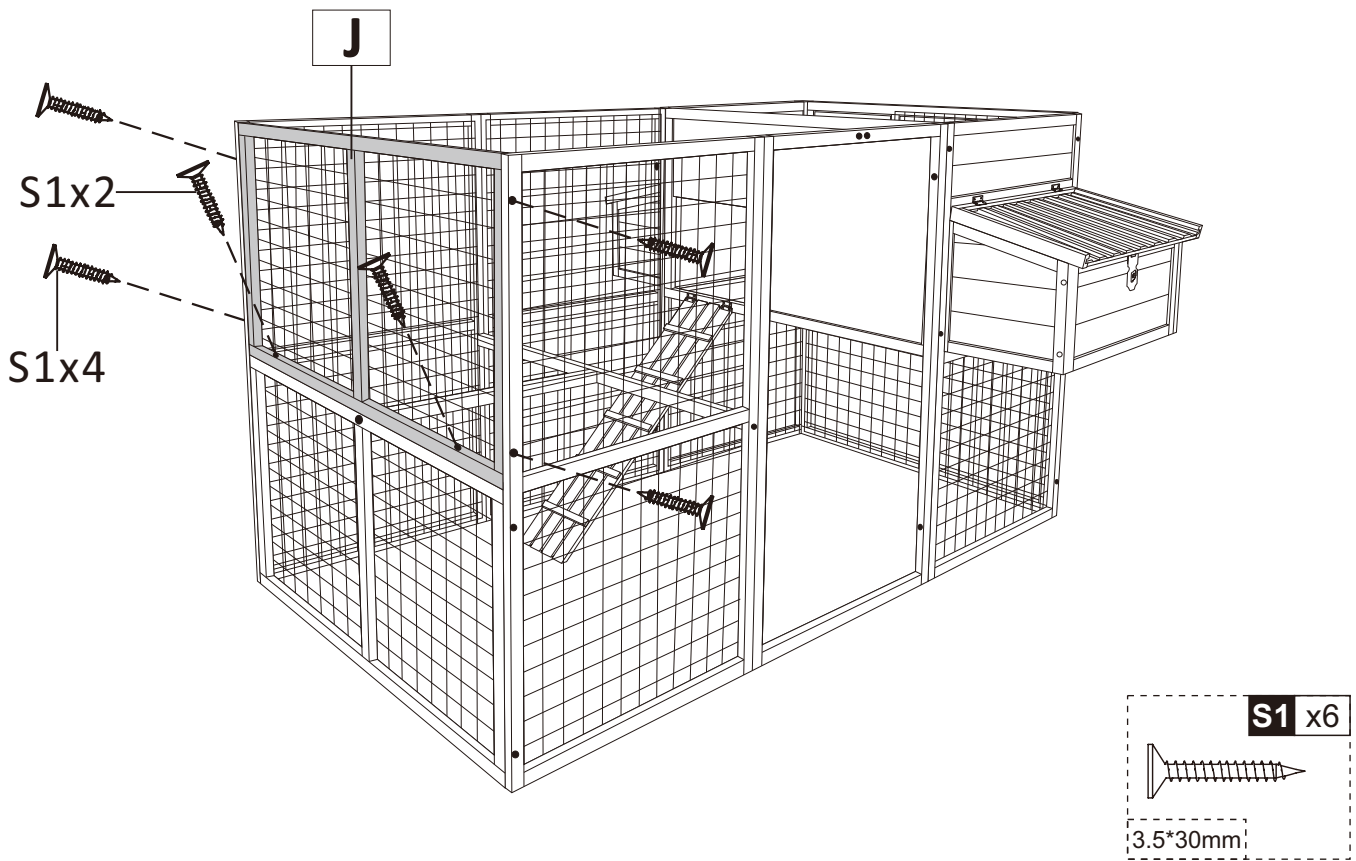
STEP 14



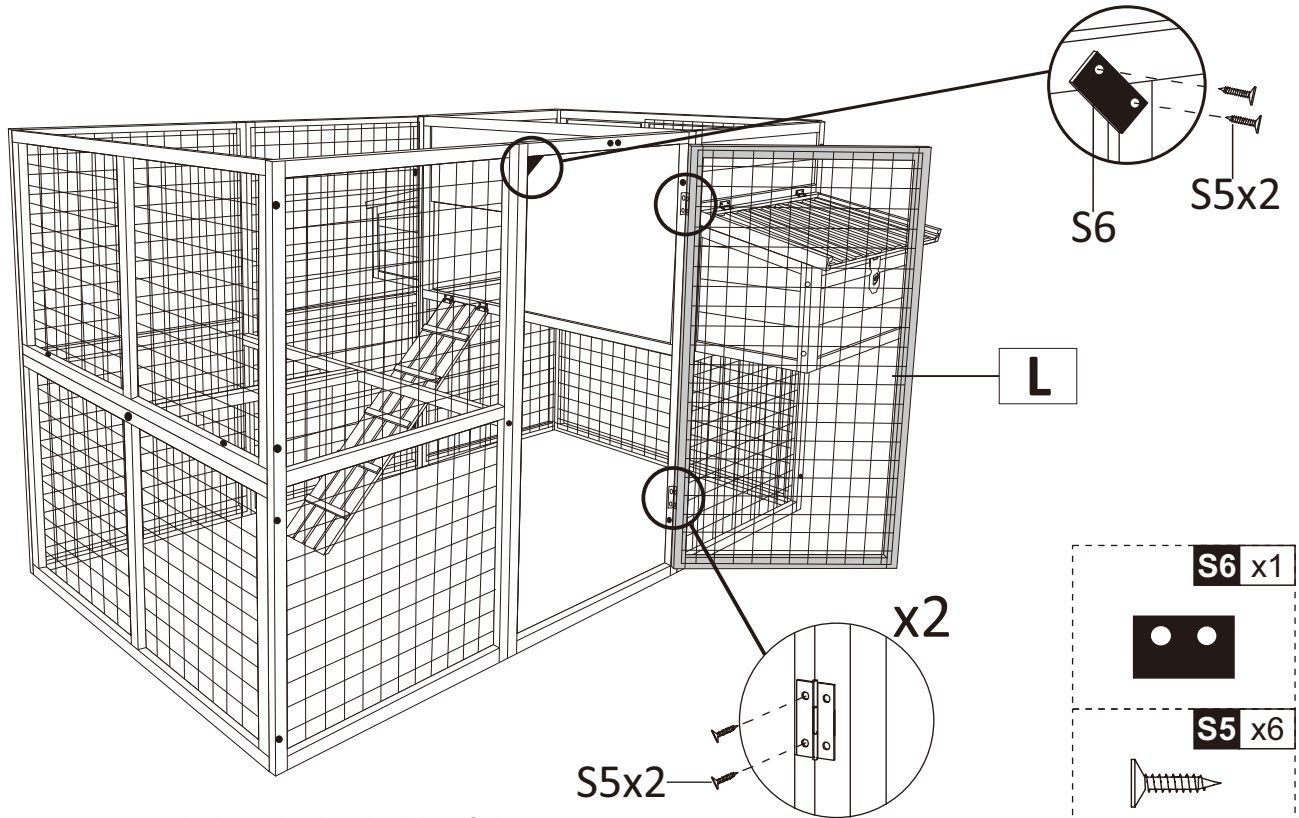
STEP 15



STEP 16

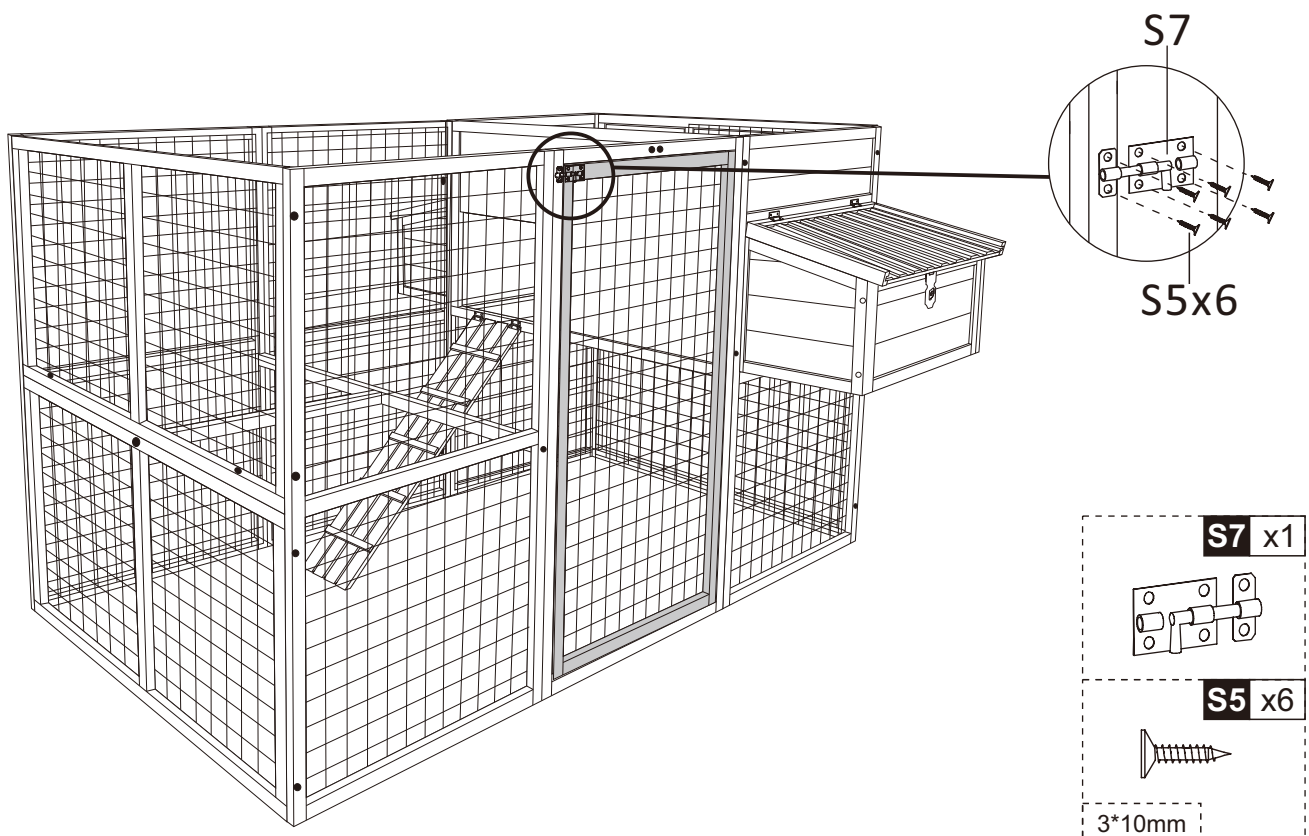


STEP 17

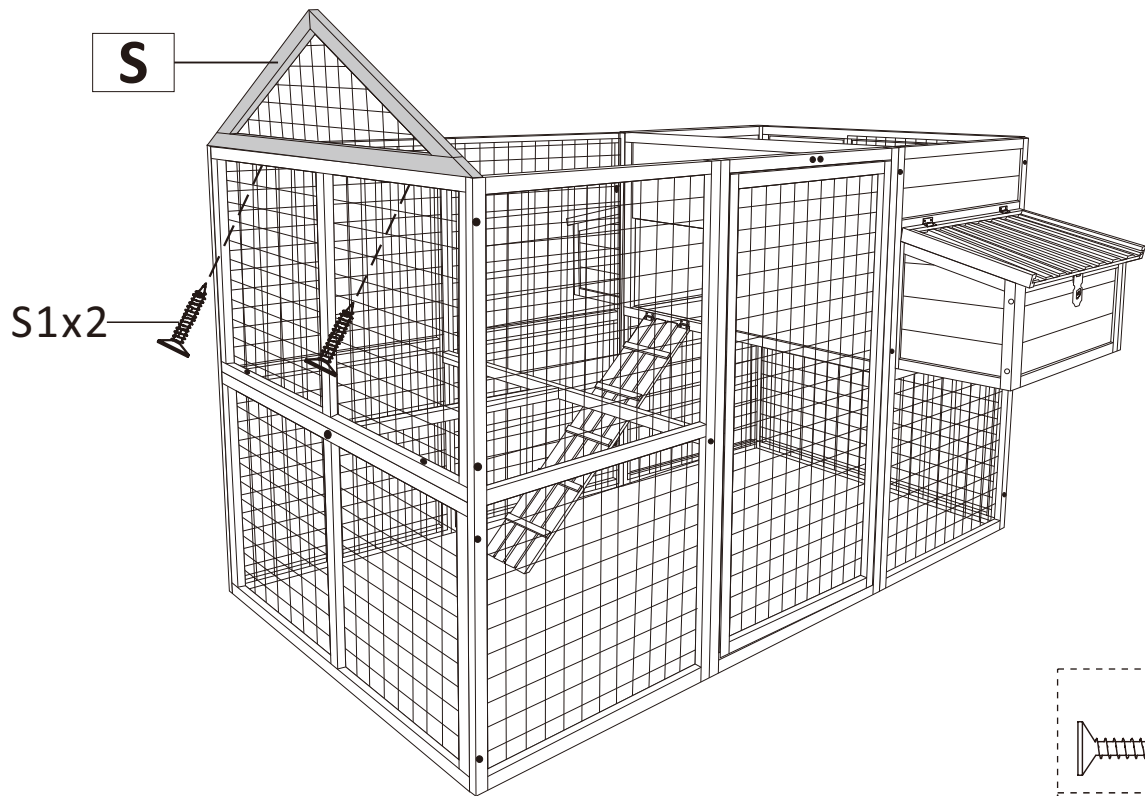


S5 needs to be installed on the back side of F to prevent door L from extending excessively.

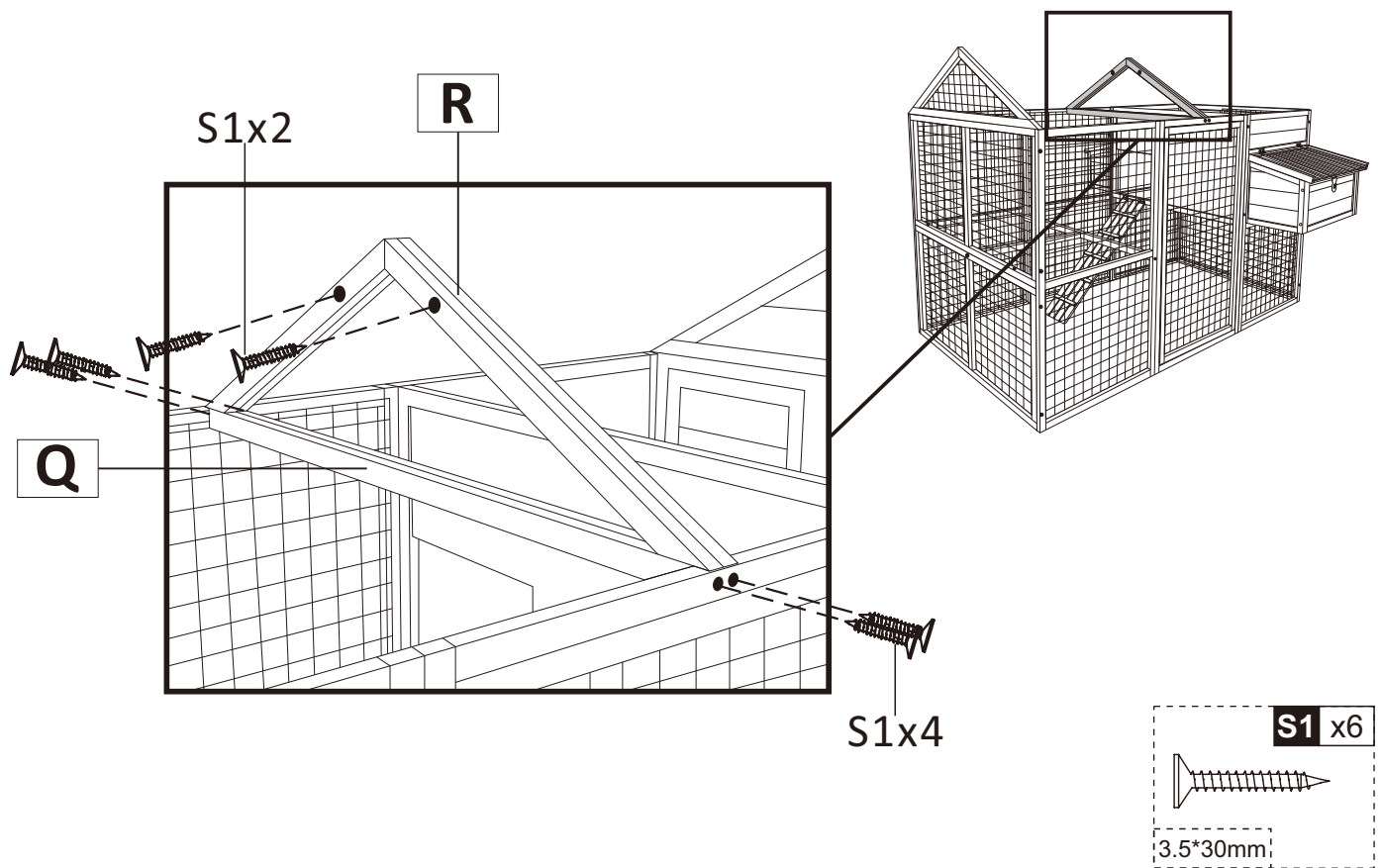
STEP 18



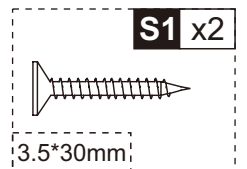
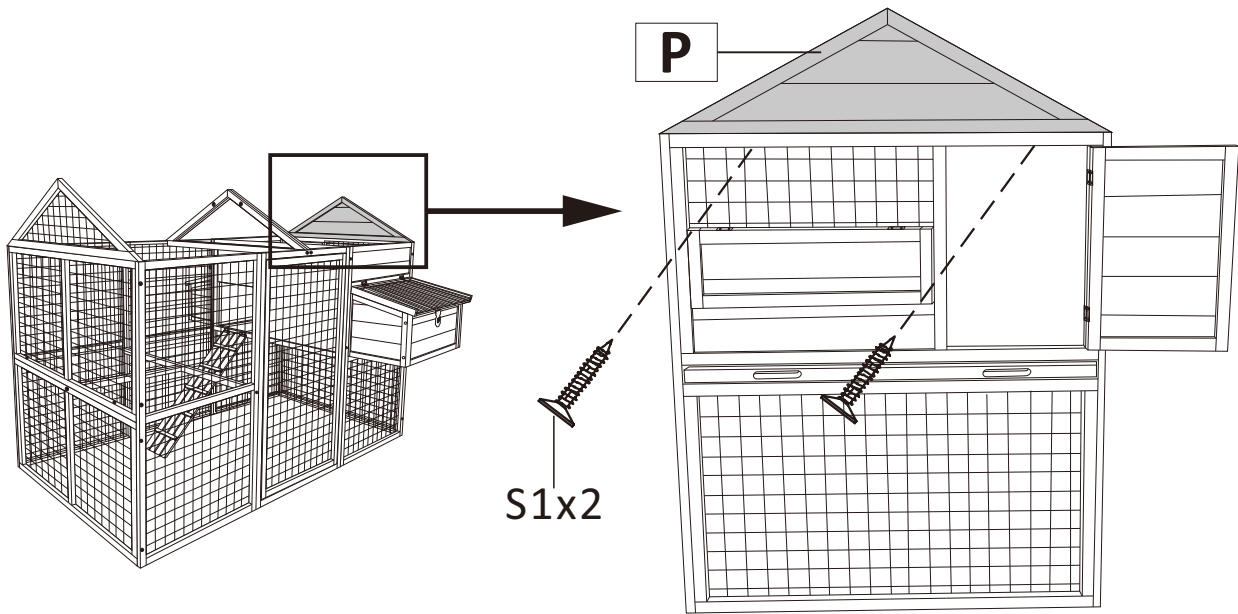
STEP 19



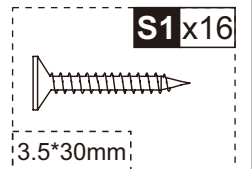
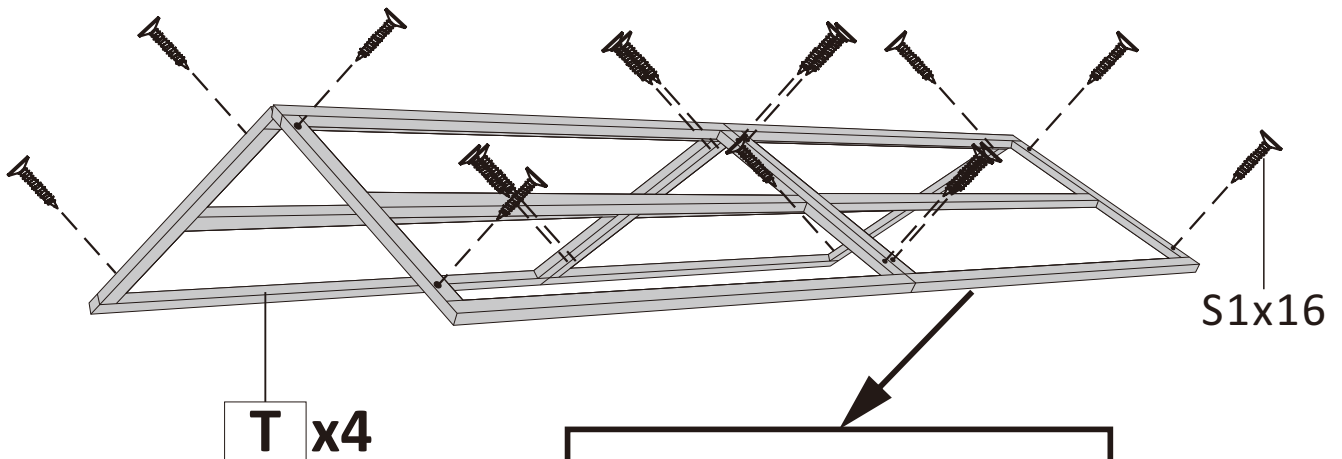
STEP 20



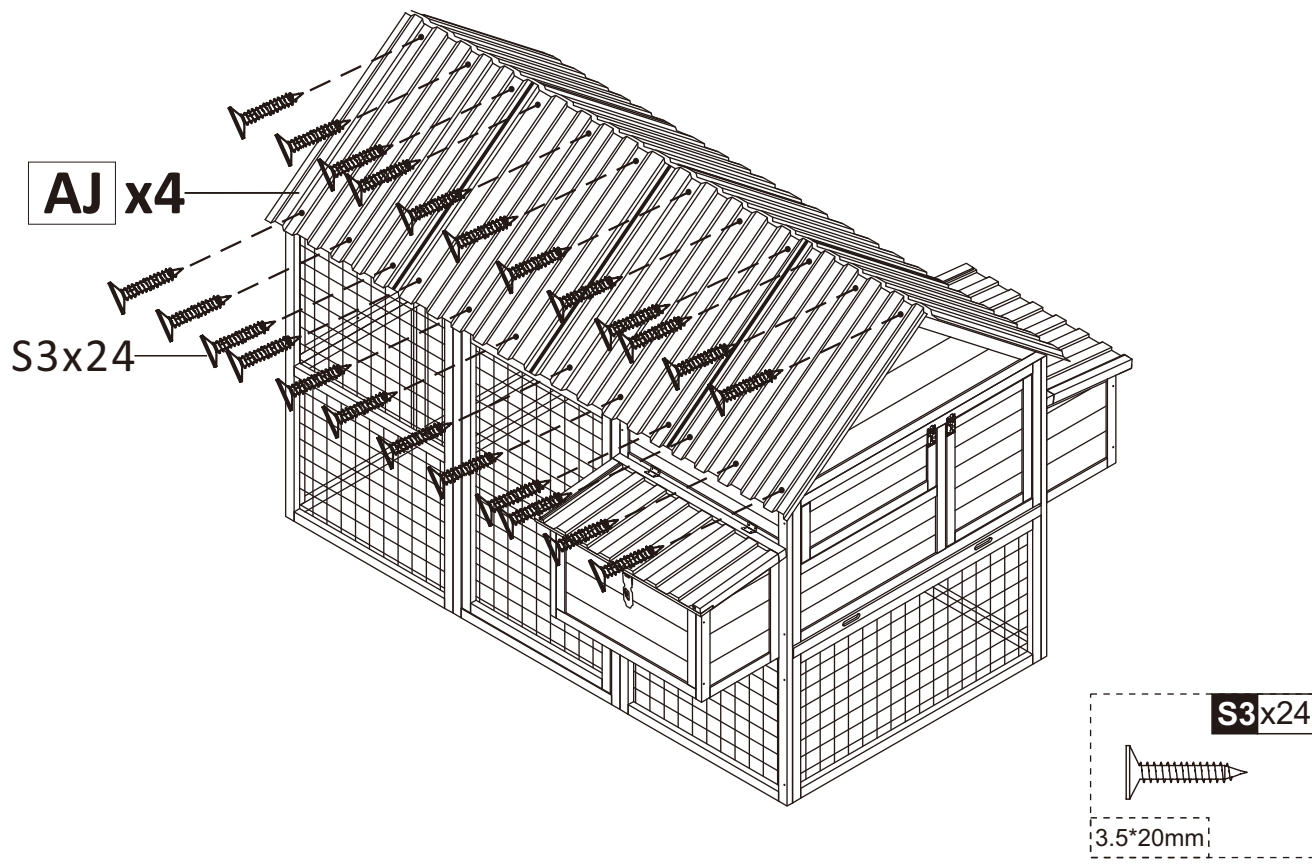
STEP 21



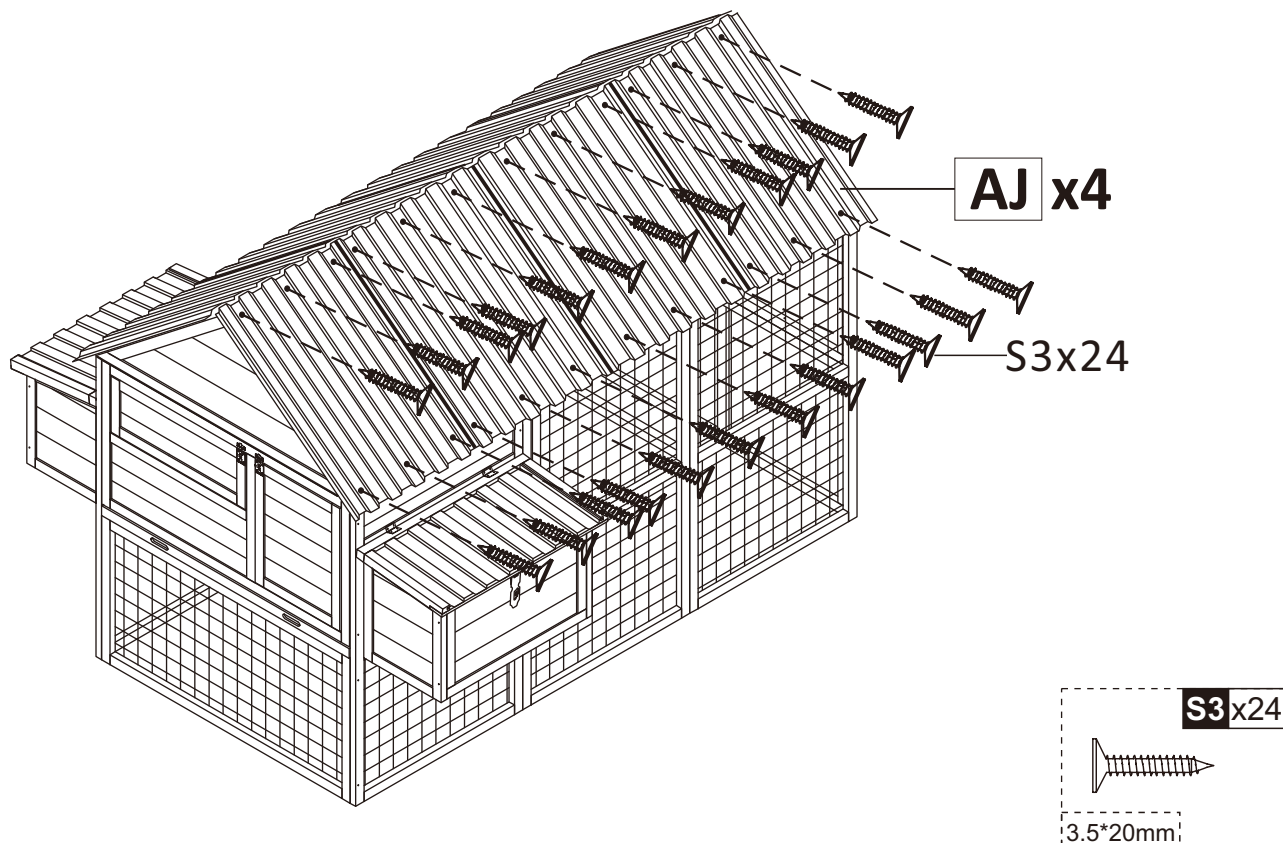
STEP 22



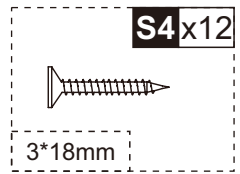
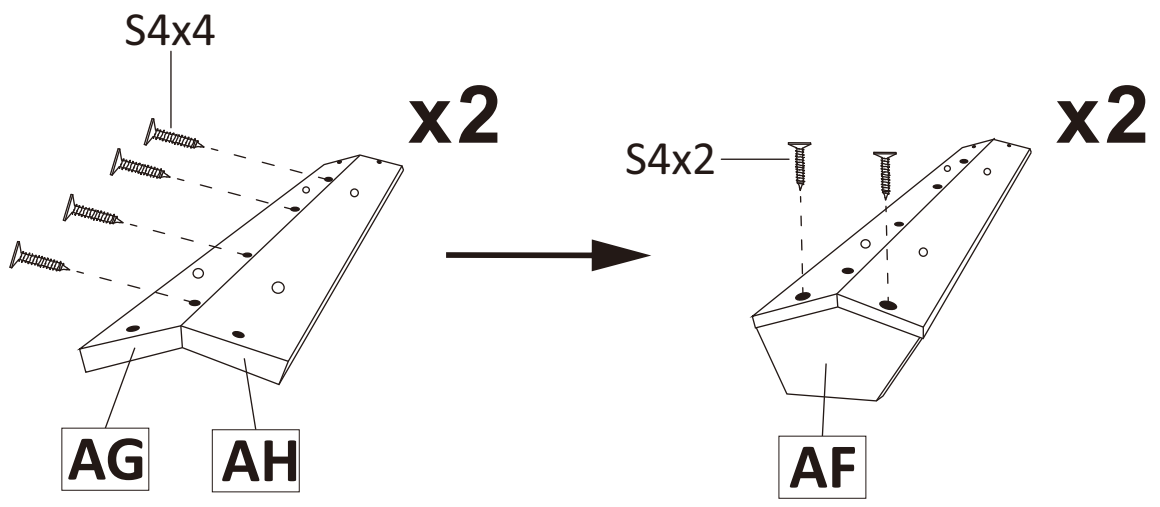
STEP 23



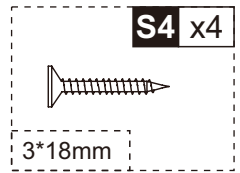
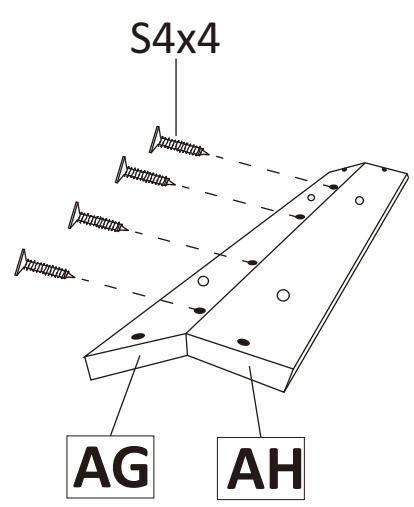
STEP 24



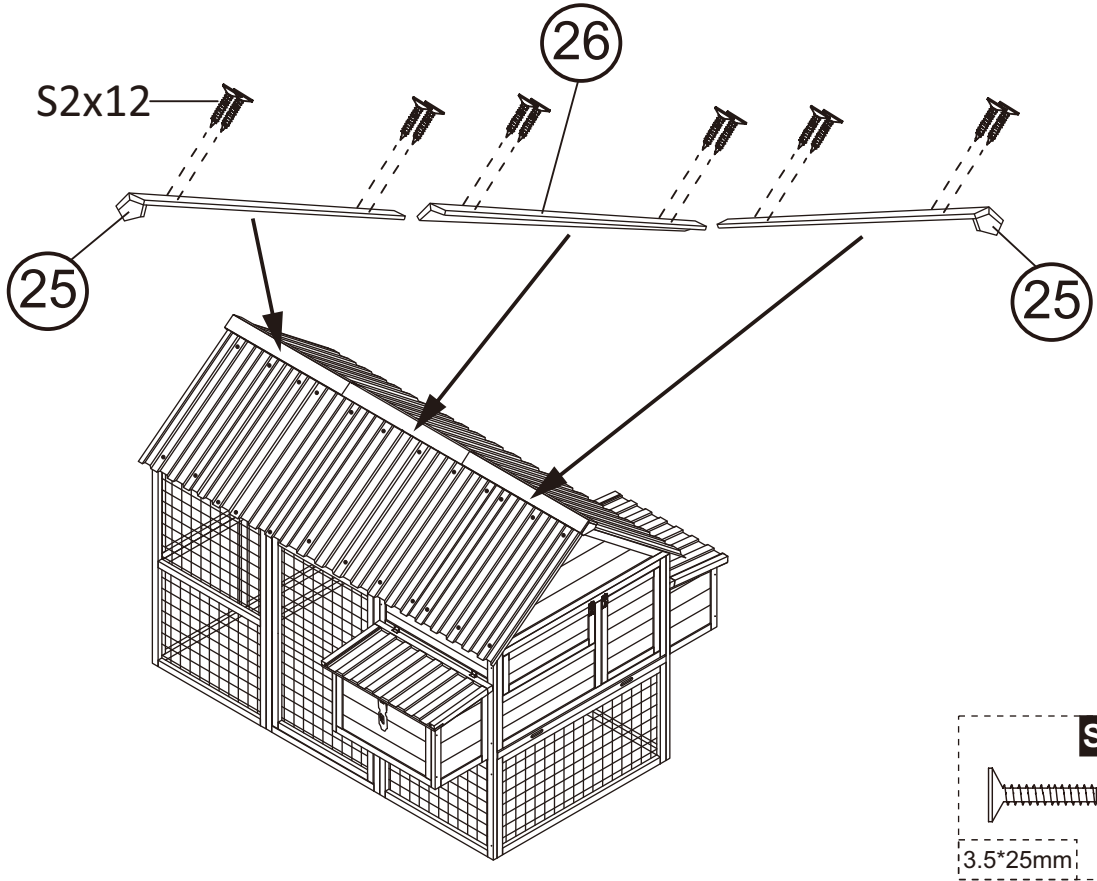
STEP 25



STEP 26



STEP 27



DONE

