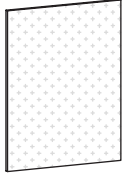
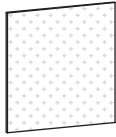







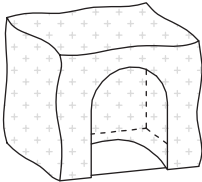
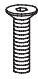
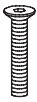



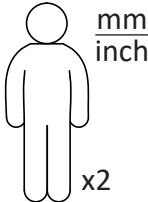
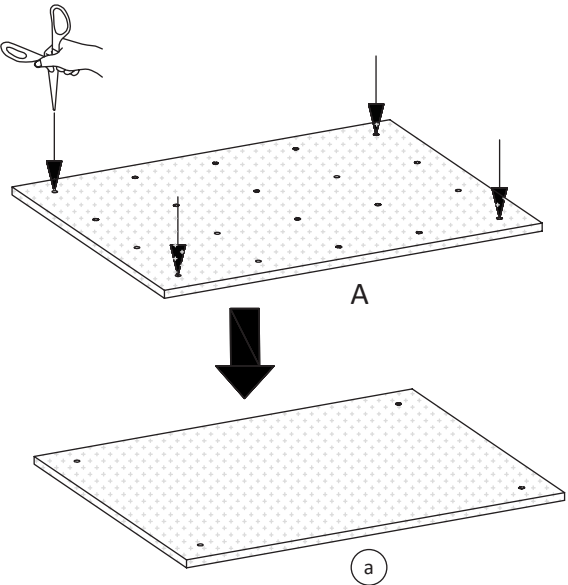
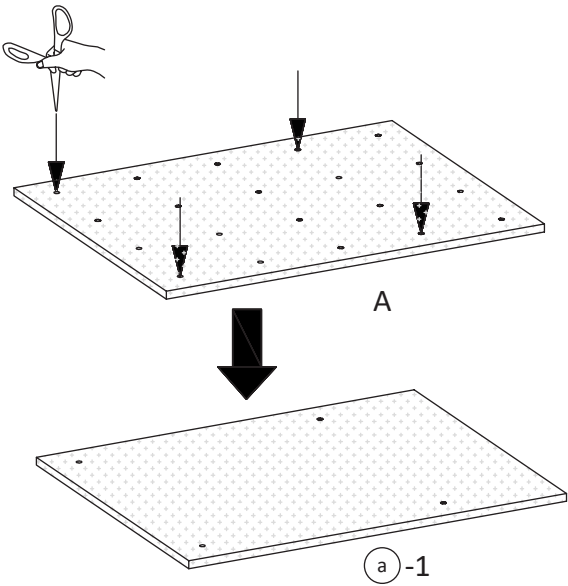
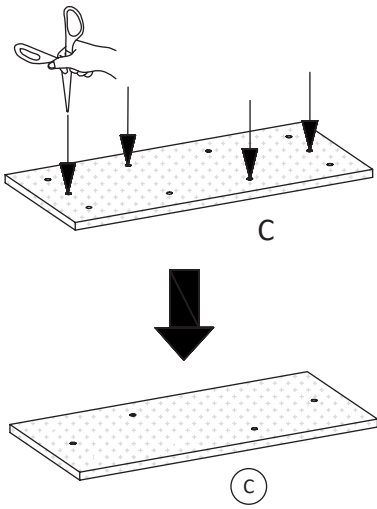
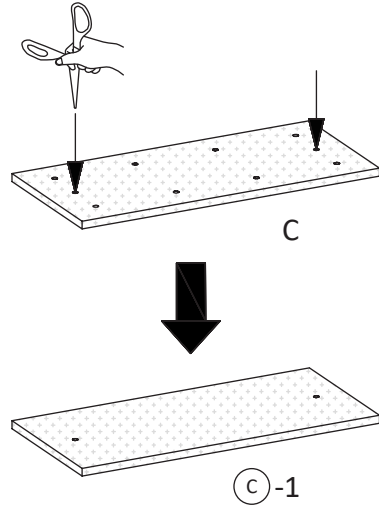


<p>Ax3</p>  <p>$\frac{474 \times 602}{18.7 \times 23.7}$</p>	<p>Bx2</p>  <p>$\frac{474 \times 474}{18.7 \times 18.7}$</p>	<p>Cx2</p>  <p>$\frac{474 \times 218}{18.7 \times 8.6}$</p>	<p>Dx11</p>  <p>$\frac{218 \times 218}{8.6 \times 8.6}$</p>
<p>Ex3</p>  <p>$\frac{218 \times 218}{8.6 \times 8.6}$</p>	<p>Fx8</p>  <p>$\frac{602}{23.7}$ Φ60</p>	<p>Gx12</p>  <p>$\frac{474}{18.7}$ Φ60</p>	<p>Hx4</p>  <p>$\frac{346}{13.6}$ Φ60</p>
<p>Ix6</p>  <p>$\frac{191}{7.5}$ Φ30</p>	<p>Jx3</p> 	<p>Kx22</p>  <p>M8x $\frac{40}{1.6}$</p>	<p>Lx6</p>  <p>M8x $\frac{55}{2.2}$</p>
<p>Mx16</p>  <p>M8x $\frac{65}{2.6}$</p>			
<p>1</p> 		<p>2 x2</p> 	

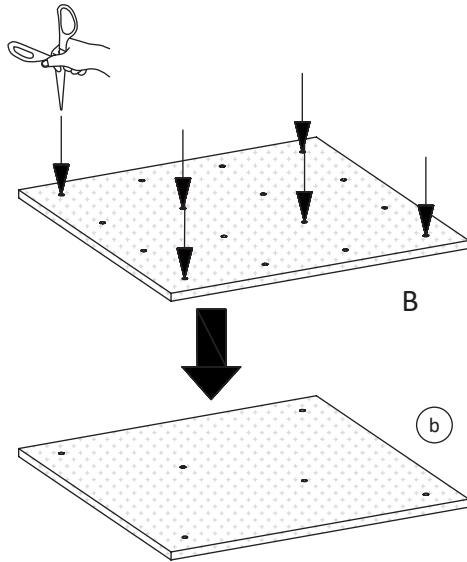
3



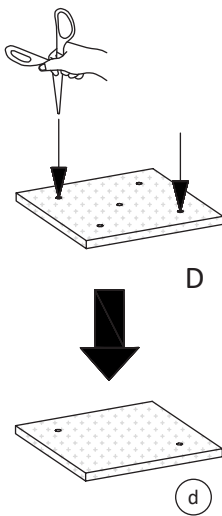
4



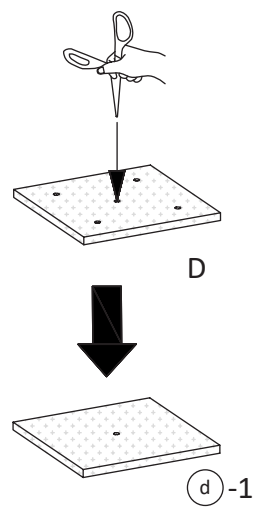
5 x2



6 x3

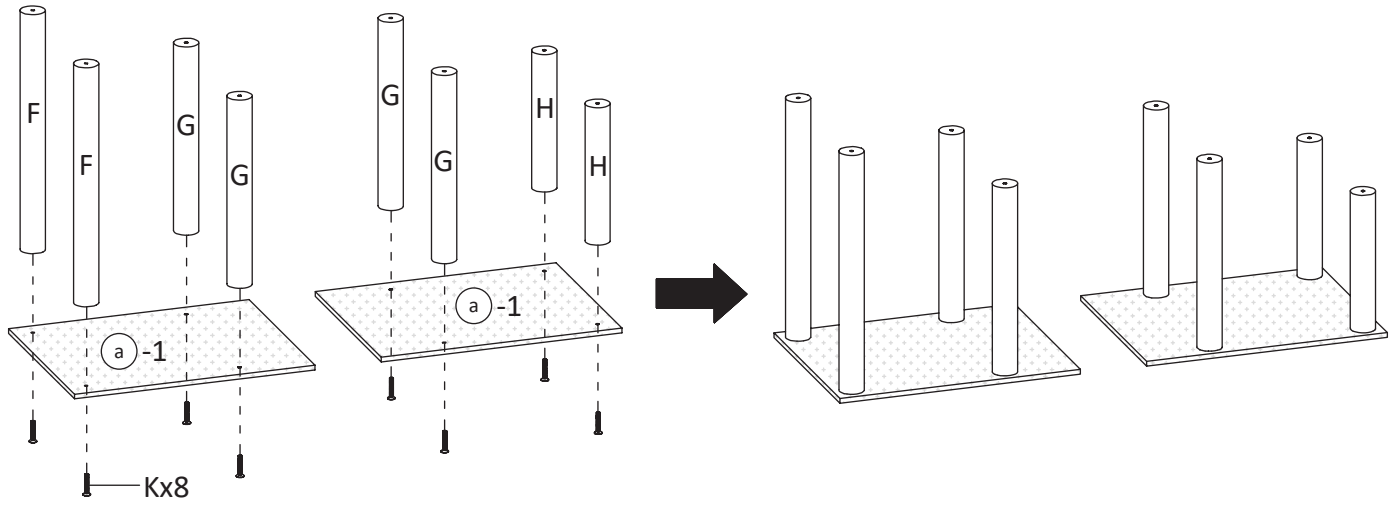


7 x8





8

Kx8		M8x $\frac{40}{1.6}$
-----	---	----------------------

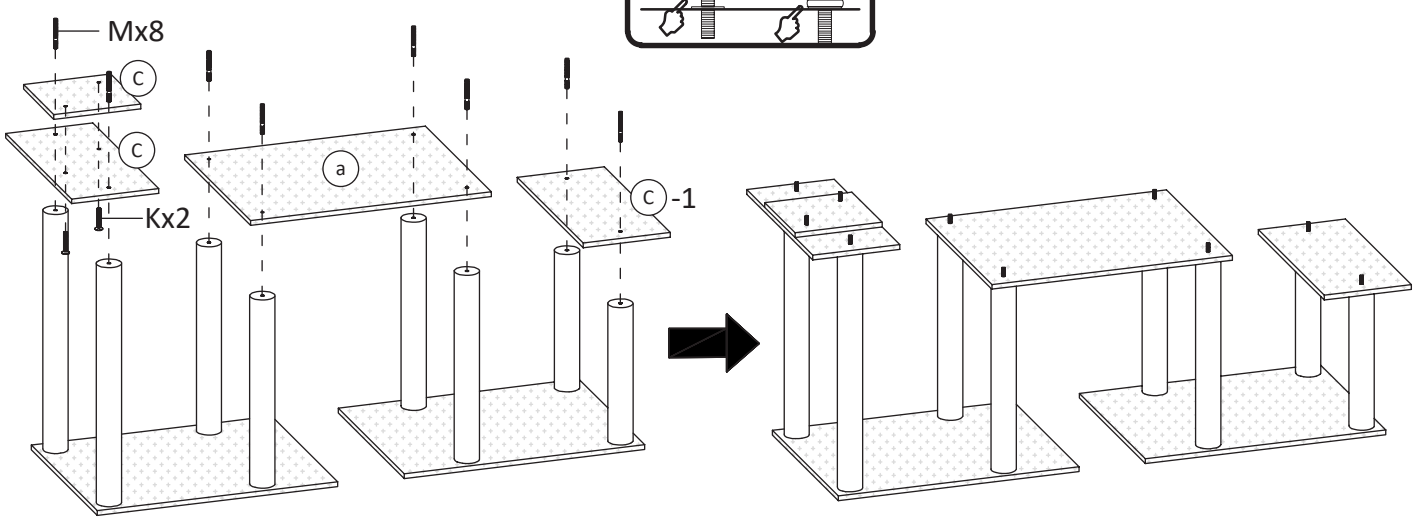


9

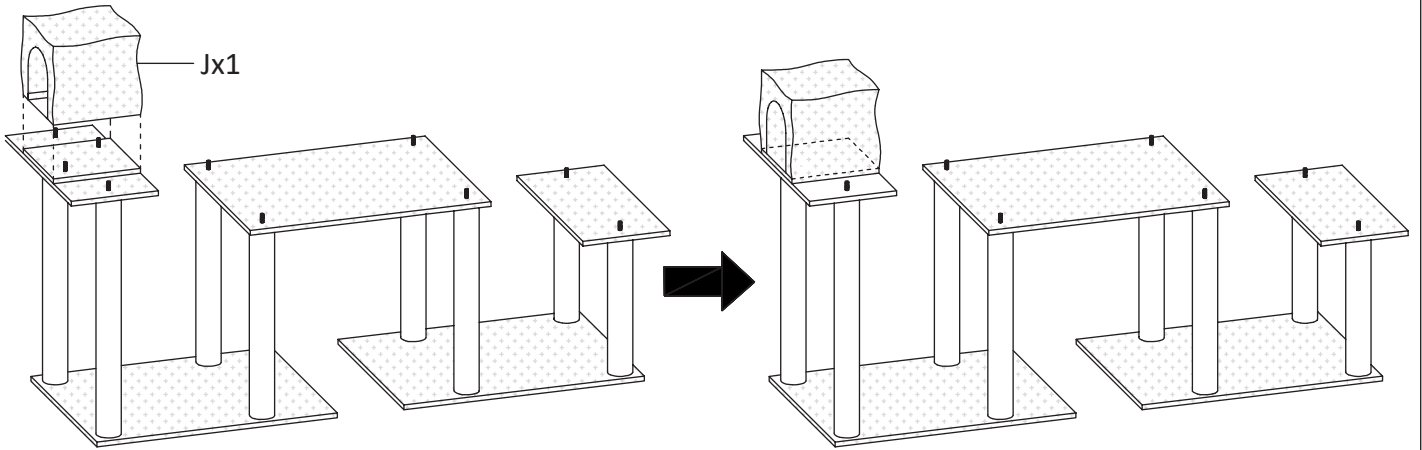
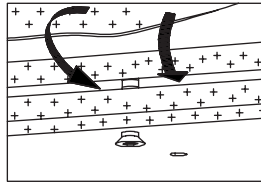
Lx2		M8x $\frac{55}{2.2}$
Mx8		M8x $\frac{65}{2.6}$

Warning icons and torque specifications:

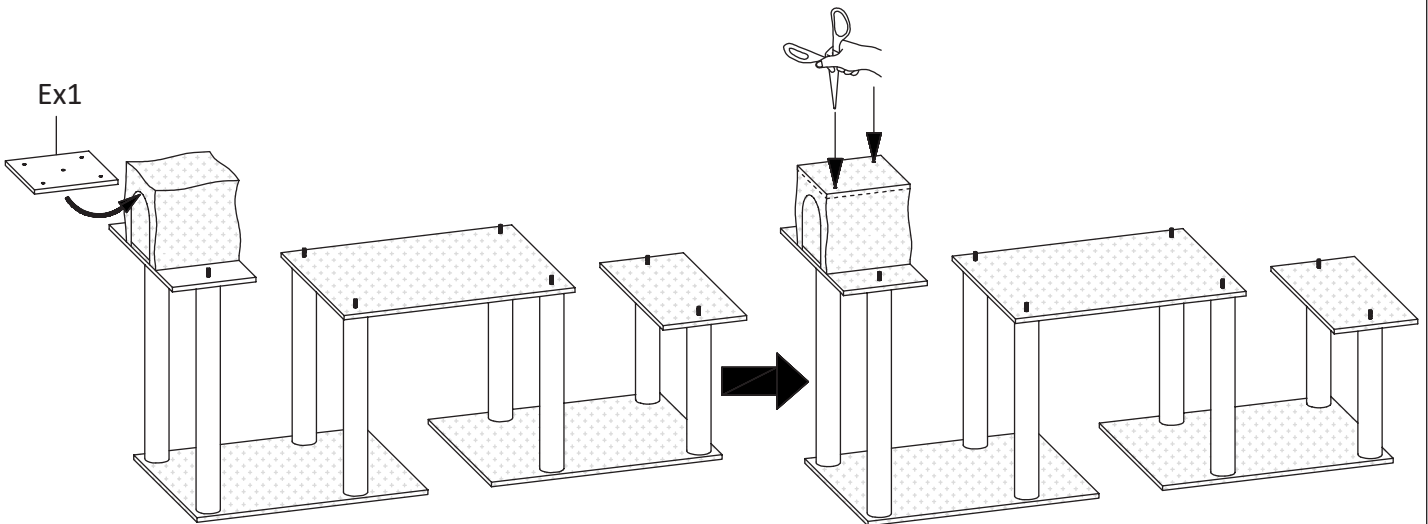
- Warning symbol (exclamation mark in a triangle) and a curved arrow indicating a 60% torque limit.
- Comparison of correct (60% ✓) and incorrect (100% ✗) torque application methods.



10

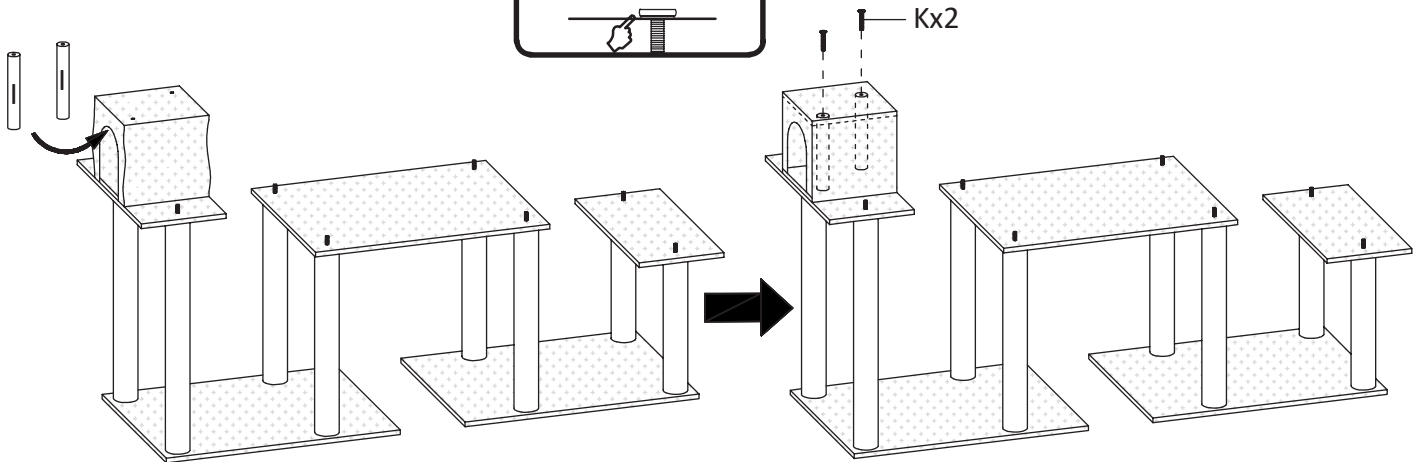
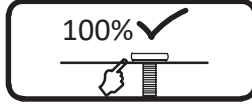
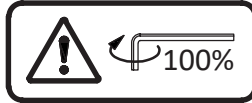


11

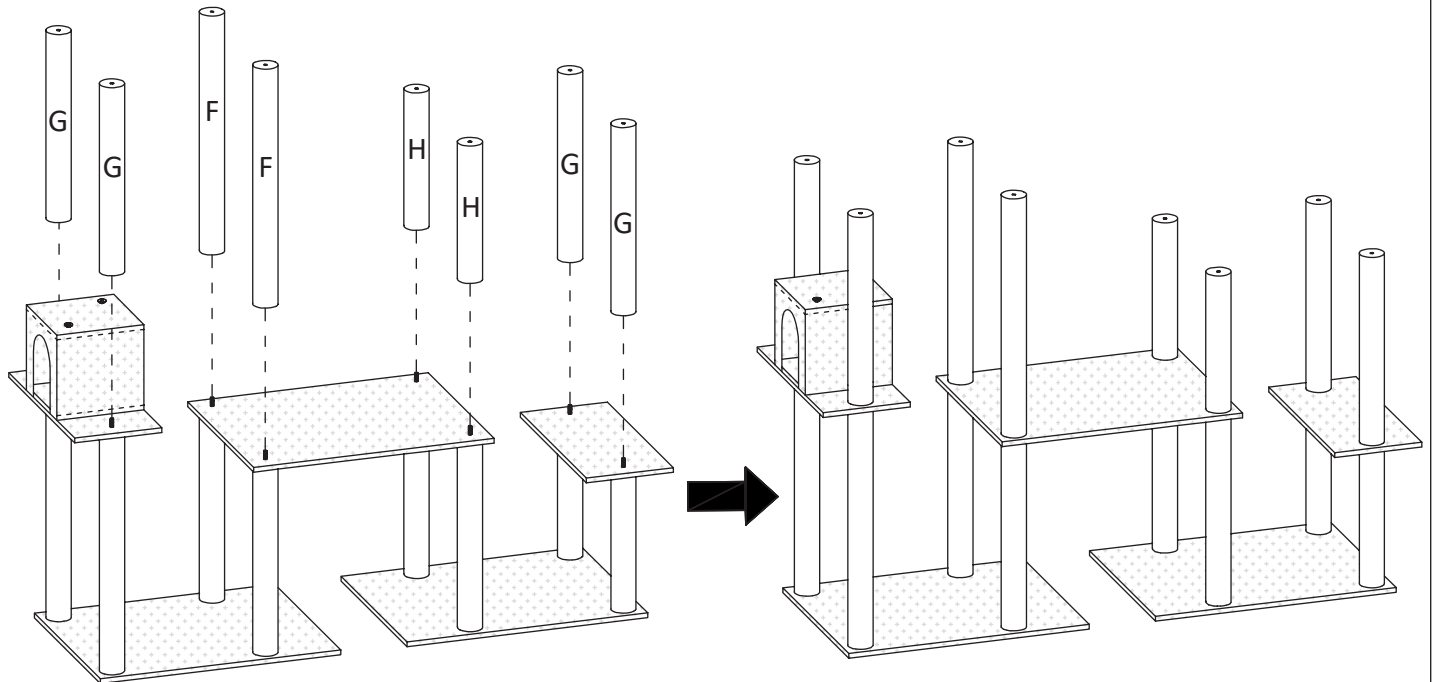


12

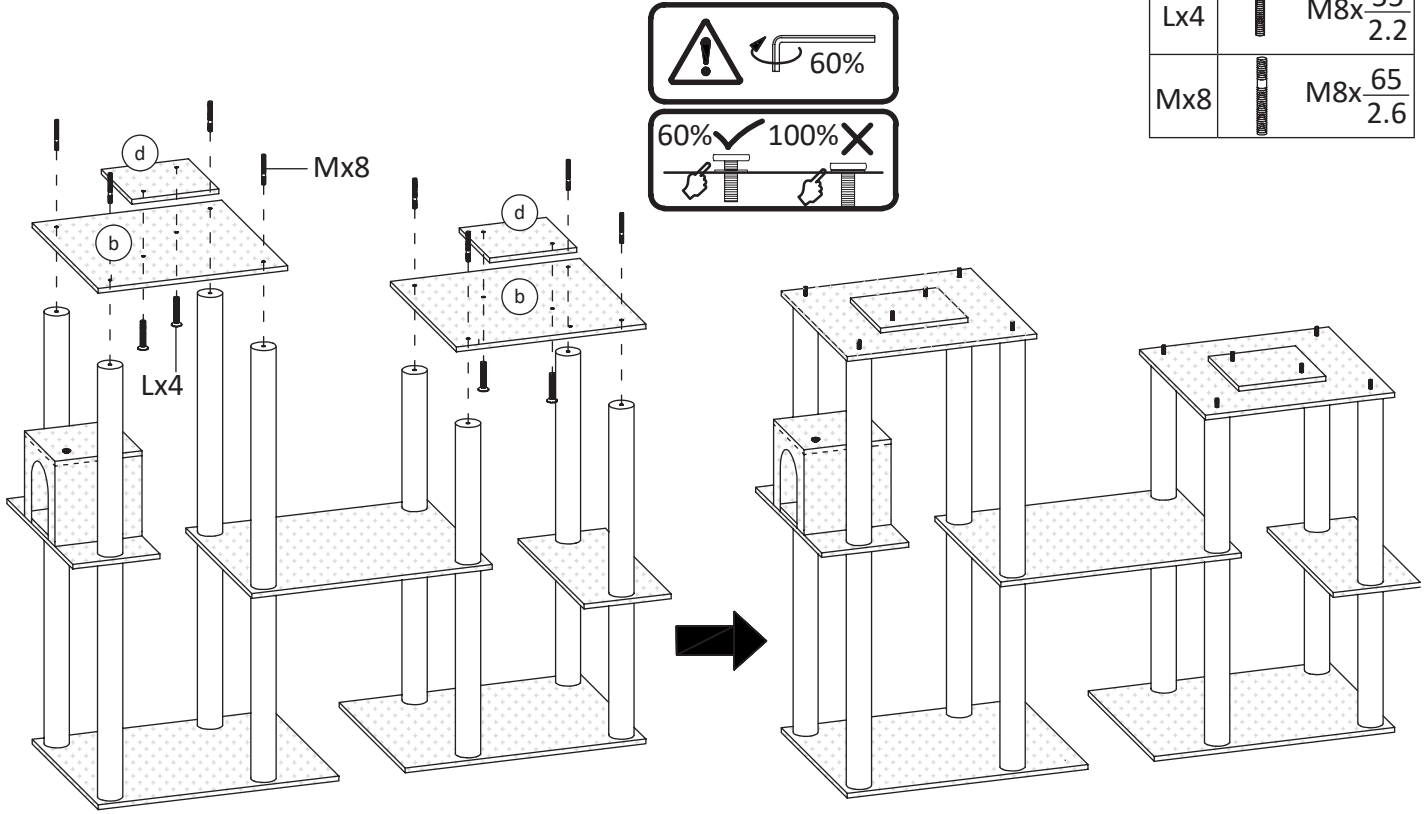
Kx2  M8x $\frac{40}{1.6}$



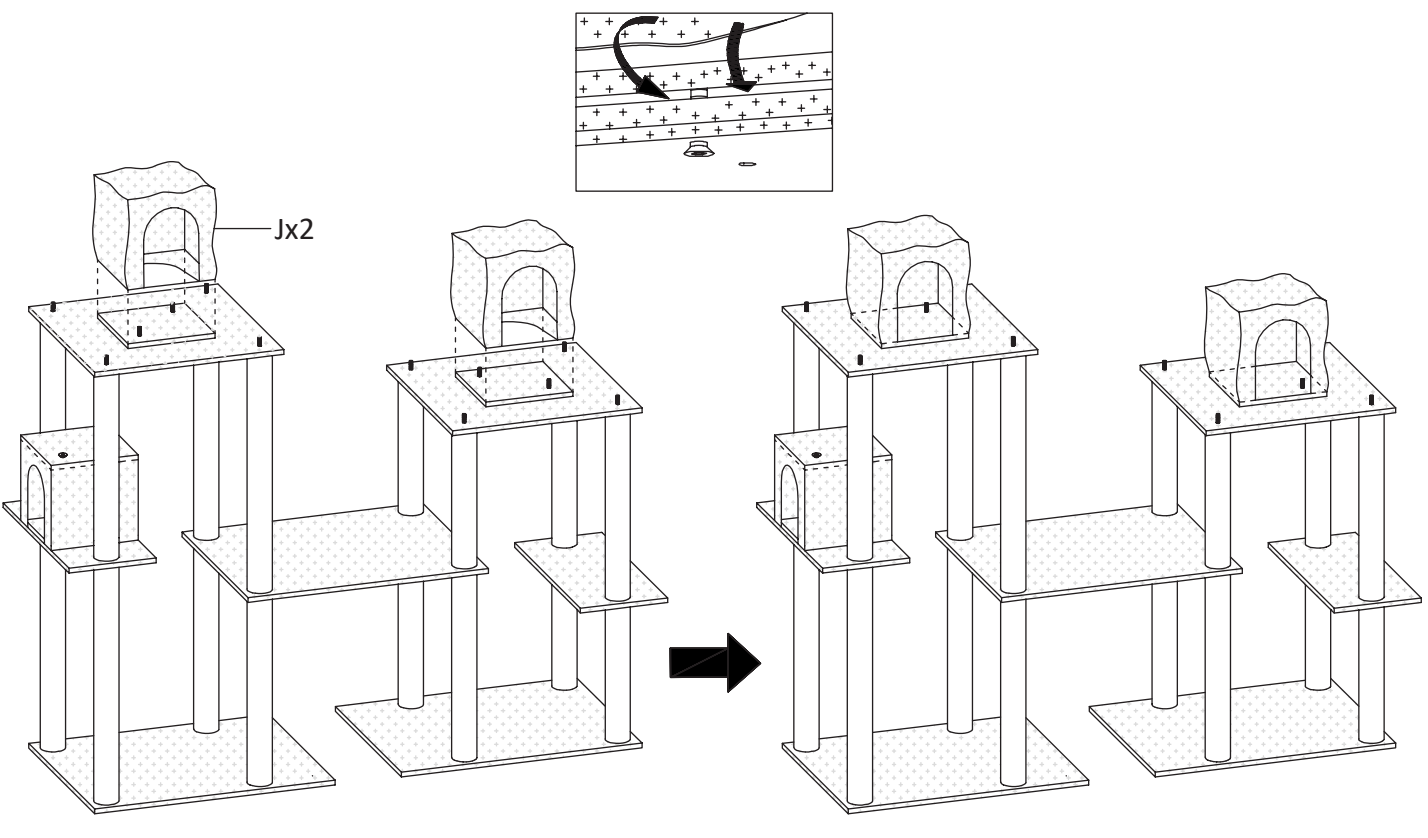
13



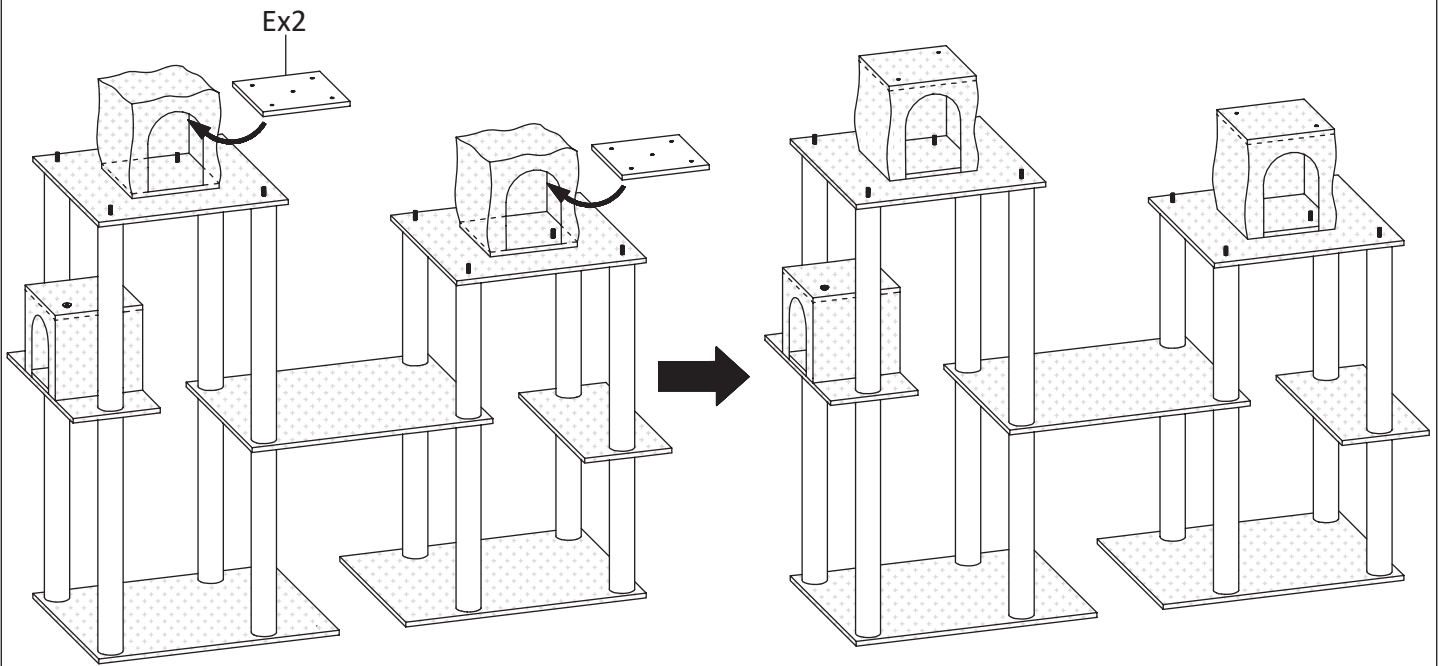
14



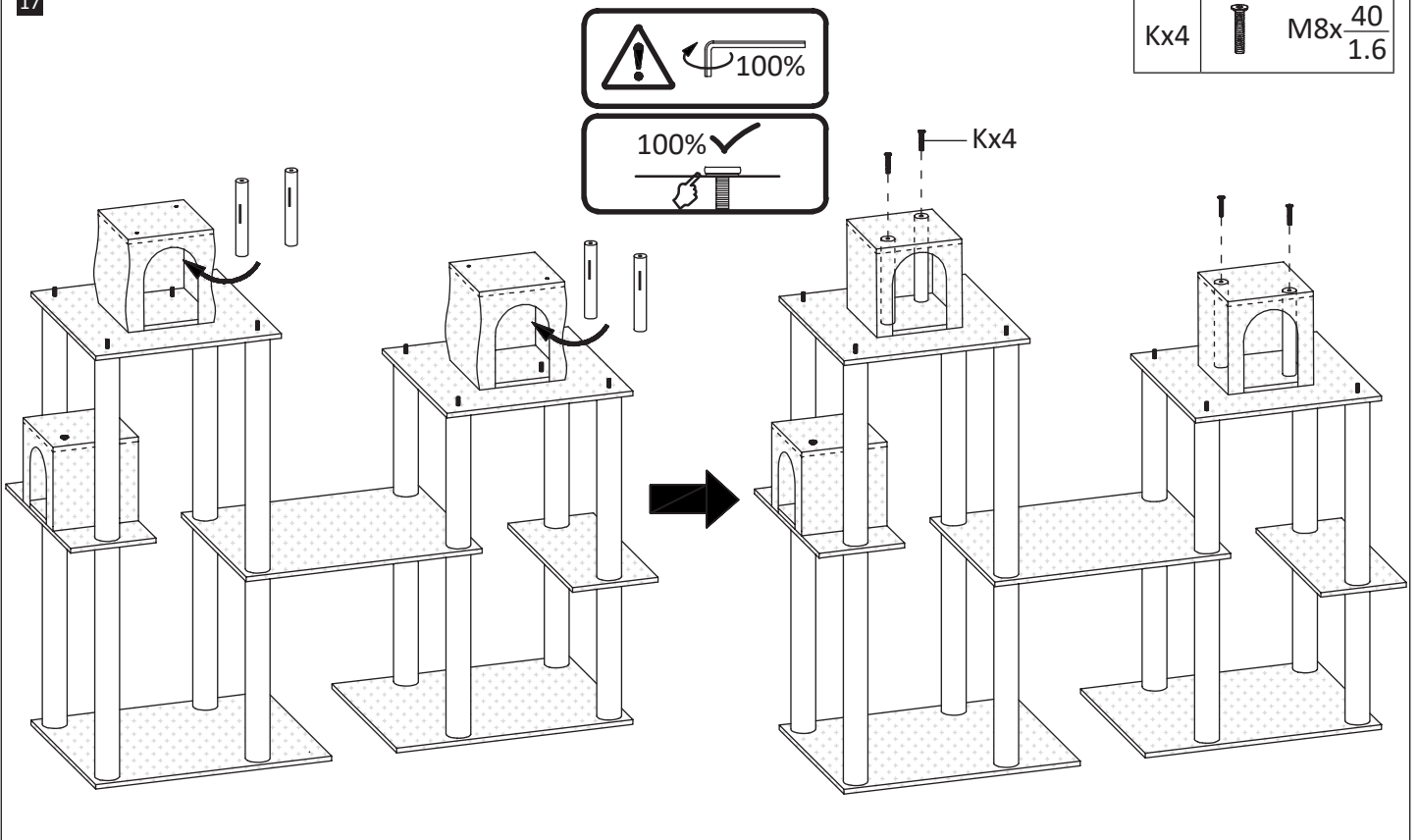
15



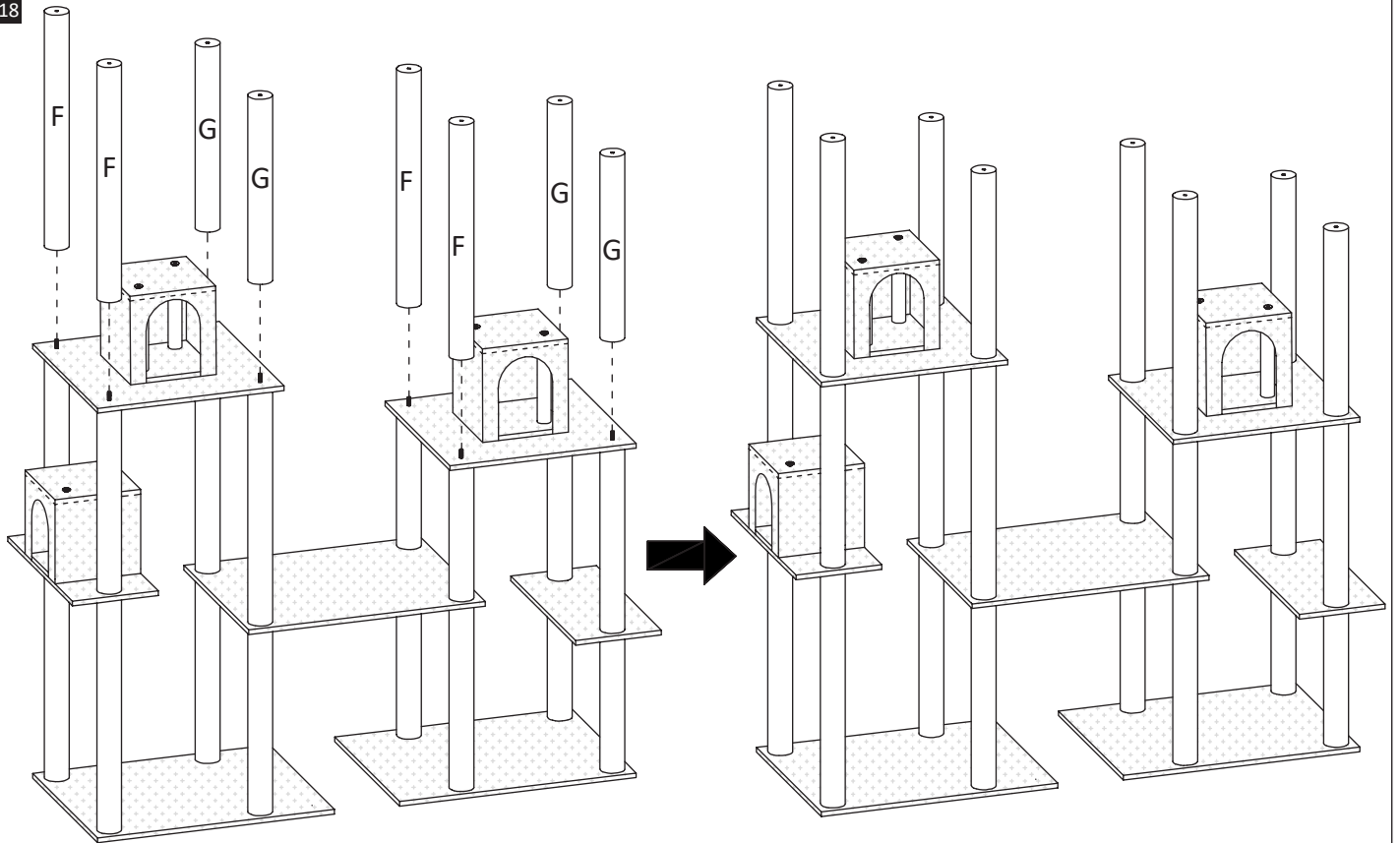
16



17



18



19

