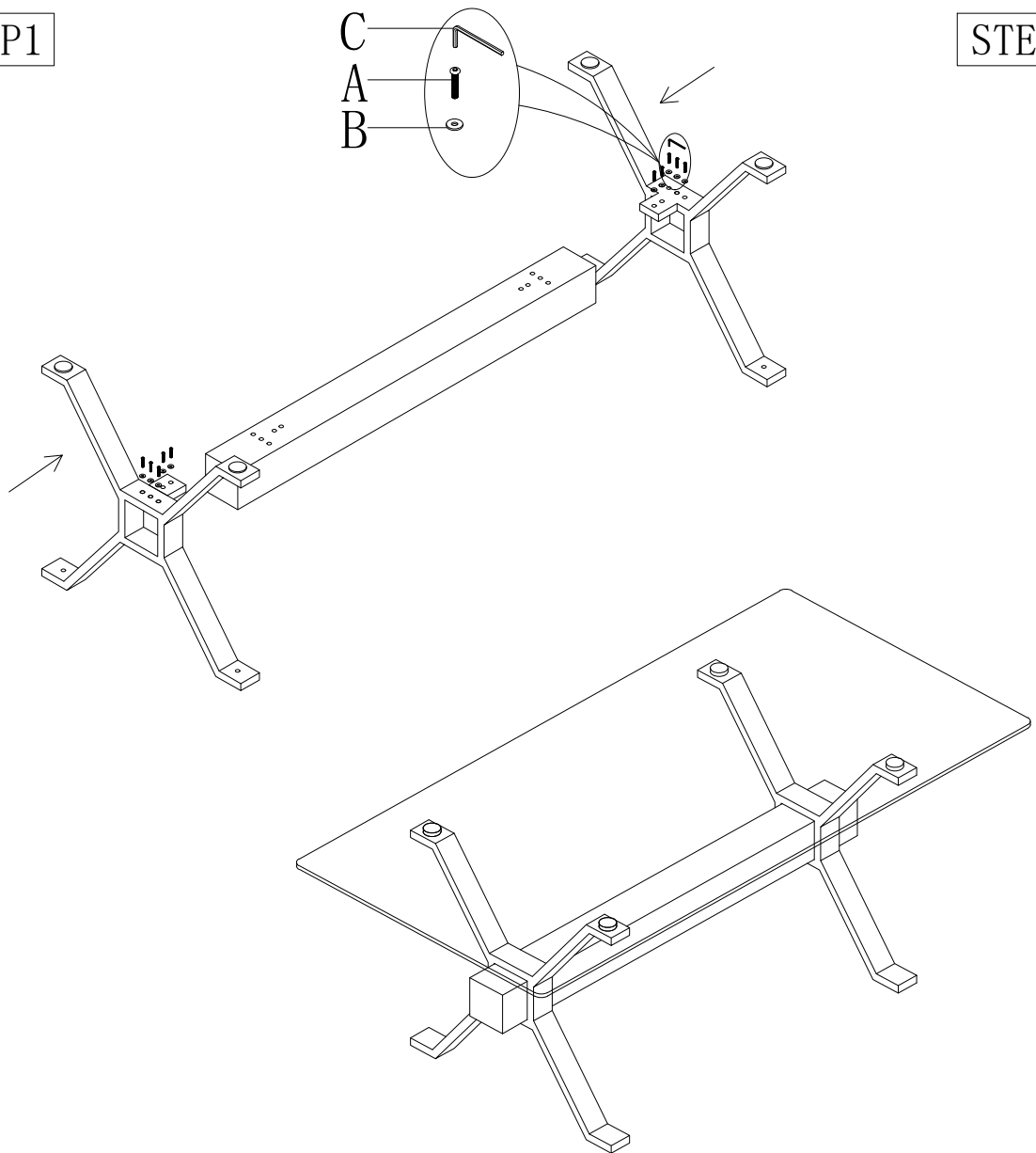
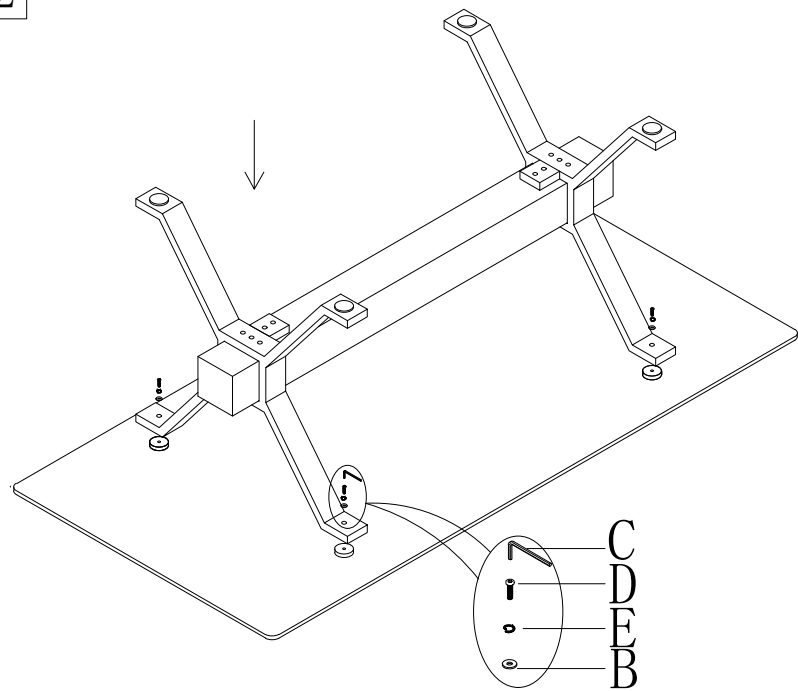


# ASSEMBLY INSTRUCTION






STEP1



STEP2



At least 2 people are required for product assembly

A	 M8*50	10pcs
B	 ø22	14pcs
C	 M5	1pc
D	 M8*35	4pcs
E	 ø13	4pcs