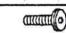
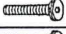
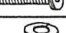

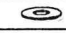
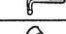
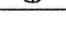

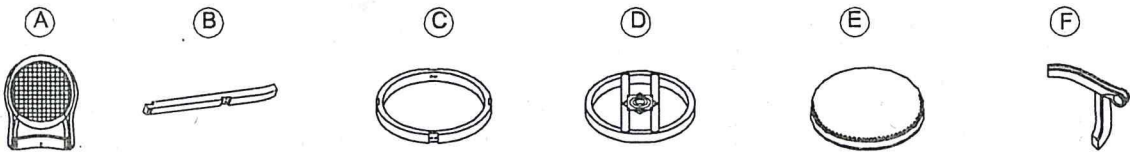


ASSEMBLY INSTRUCTIONS

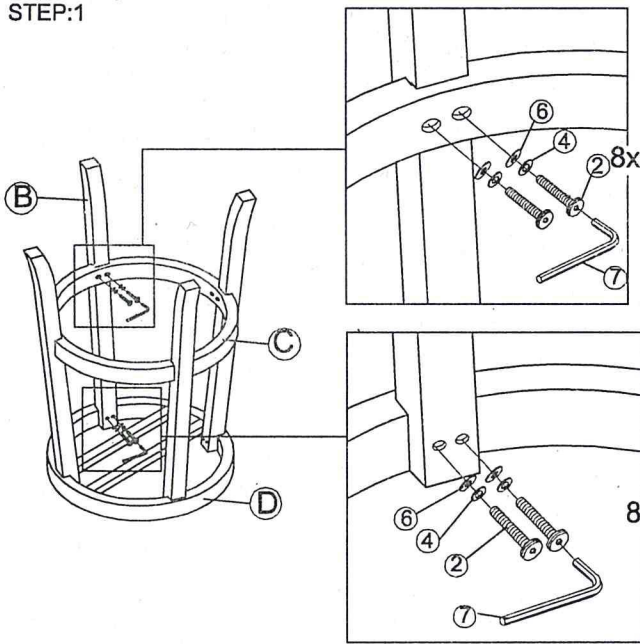
Please read this instruction carefully. Refer to hardware and furniture parts list for guidance. Be sure all parts are complete before assembling. Place all wooden furniture part on a clean and flat soft surface to prevent scratches. Do not tighten all screws until the stool is fully set up.

PART LIST		
ITEM	DESCRIPTION	QTY
A	Backrest	1pc
B	Chair Leg	4pcs
C	Footrest	1pc
D	Apron with swivel plate	1pc
E	Cushion seat	1pc
F	(Left/Right) Armrest	2pcs

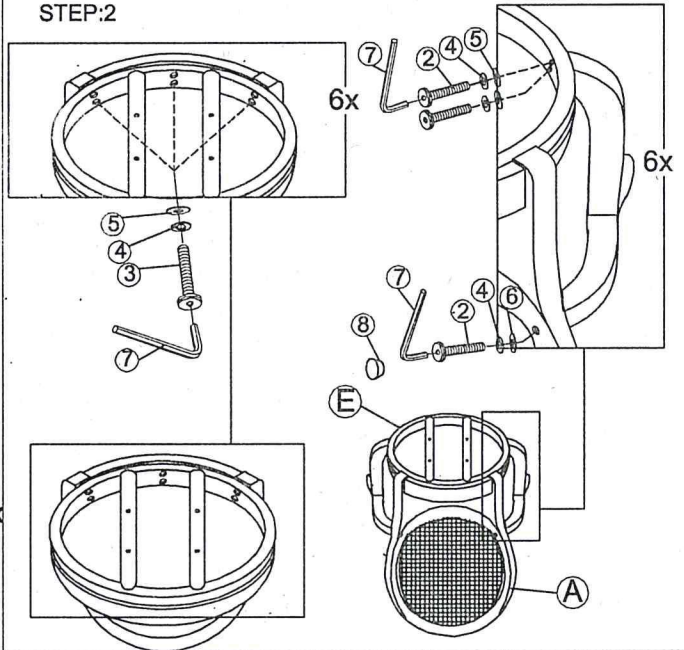
HARDWARE LIST		
ITEM	DESCRIPTION	QTY
1	JCBC Screw M6x25mm 	4pcs
2	JCBC Screw M6x40mm 	22pcs
3	JCBC Screw M6x45mm 	6pcs
4	Spring Washer M6x10mm 	28pcs
5	Flat Washer M6x16mm 	14pcs
6	Flat Washer M6x13mm 	18pcs
7	Allen Key Small M4 	1pc
8	Wooden plug $\phi 14$ 	2pcs



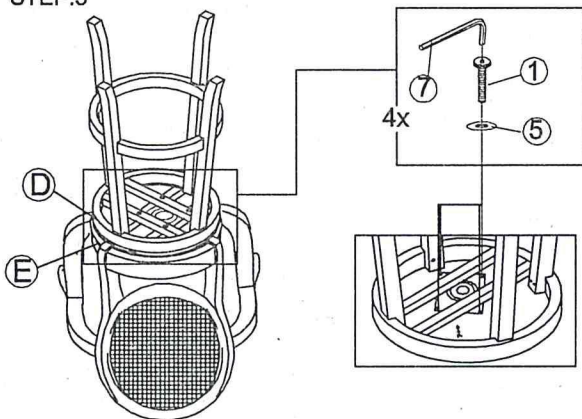
STEP:1



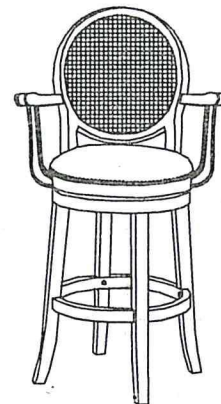
STEP:2



STEP:3



STEP:4



NOTICE: Before assembly screws have to make sure that legs were keep in a stable position and then tightening screws if