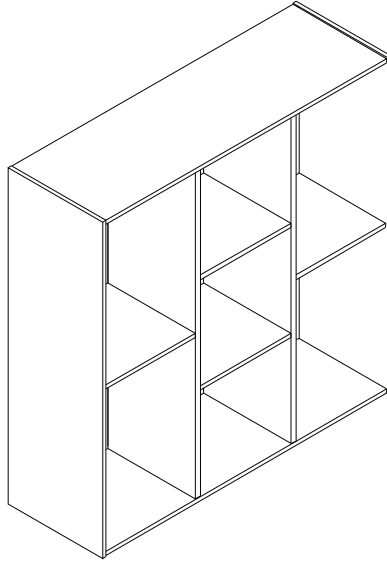


ASSEMBLY INSTRUCTIONS

BOOKCASE

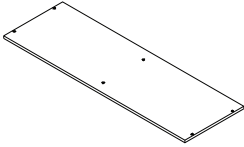
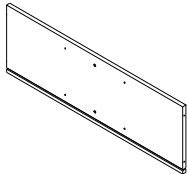
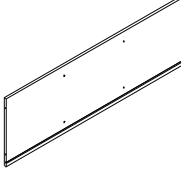
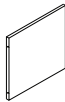
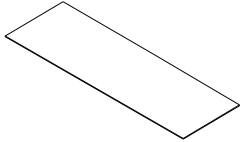


NOTE TO CUSTOMERS:

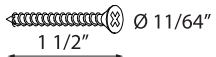




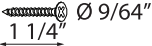
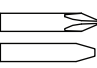

- For ease and speed of assembly we recommend that before you commence each step of the assembly that you identify all the parts required to complete that step.
- We recommend that where possible you allow sufficient space to assemble the item as close as possible to the place where it will be once assembled.
- For the protection of your furniture we recommend that the product is placed on a dry, soft, smooth and clean surfaces during assembly to prevent any damage. Avoid damp and direct sunlight.
- During assembly do not over tighten the screws or bolts, as this may damage the product.
- Please ensure you retain all the product packaging until the item is completely assembled.
- Periodically check all fitting and re-tighten as necessary.
- Never allow any liquids to remain on your furniture as absorption can cause the wood to warp or finish to de-laminate.
- It is recommended that this item should be assembled by two adults.

ASSEMBLY INSTRUCTIONS

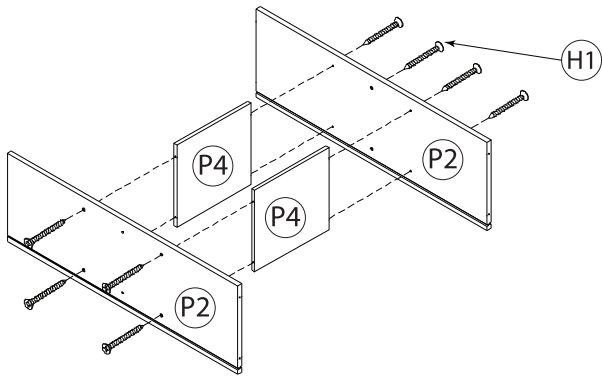
PARTS IDENTIFICATION

<p>P1 Quantity: 2</p>  <p>Side Panel</p>	<p>P2 Quantity: 2</p>  <p>Center Panel</p>	<p>P3 Quantity: 2</p>  <p>Top & Bottom Panel</p>	<p>P4 Quantity: 4</p>  <p>Shelf Panel</p>	<p>P5 Quantity: 3</p>  <p>Back Panel</p>
---	---	---	--	---

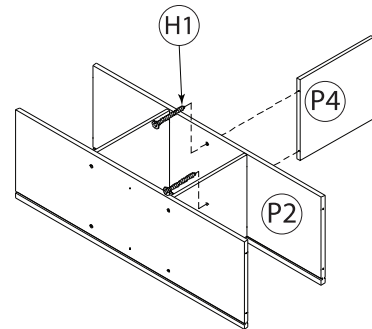
HARDWARE LIST

<p>H1 Screw M4 x 32mm</p>  <p>Quantity: 32 pcs</p>	<p>H2 Sticker</p>  <p>Quantity: 28 pcs</p>	<p>H3 Screw for anti-tip M3.5 x 12</p>  <p>Quantity: 1 pc</p>	<p>H4 Anti-tip web strip</p>  <p>Quantity: 1 pc</p>	<p>H5 Wall plug for Screw H6</p>  <p>Quantity: 1 pc</p>
<p>H6 Screw for mount to wall #6 x 1 1/4"</p>  <p>Quantity: 1 pc</p>	<p>Tools required:</p>  HOUSEHOLD SCREWDRIVER  MALLET			

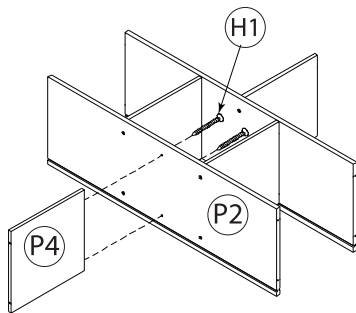
STEP 1



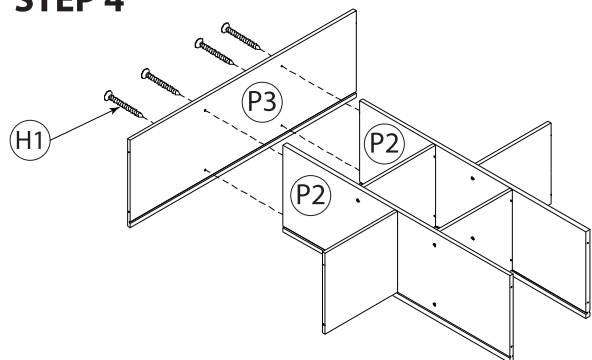
STEP 2



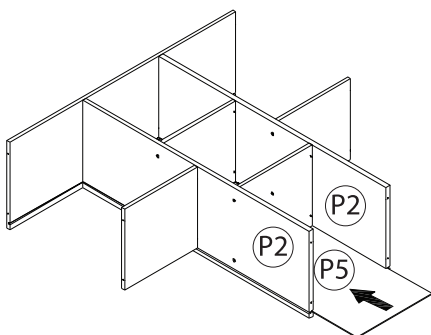
STEP 3



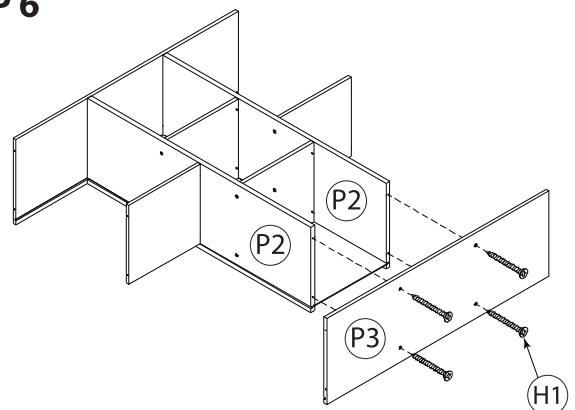
STEP 4



STEP 5

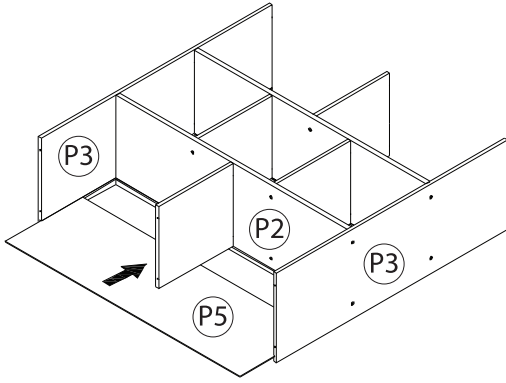


STEP 6

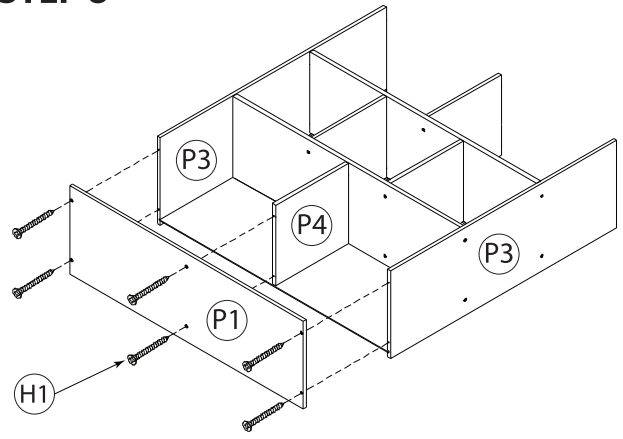


ASSEMBLY INSTRUCTIONS

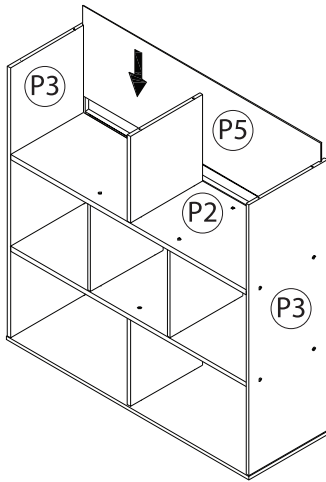
STEP 7



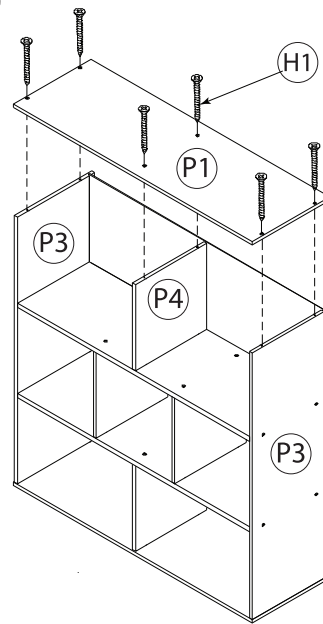
STEP 8



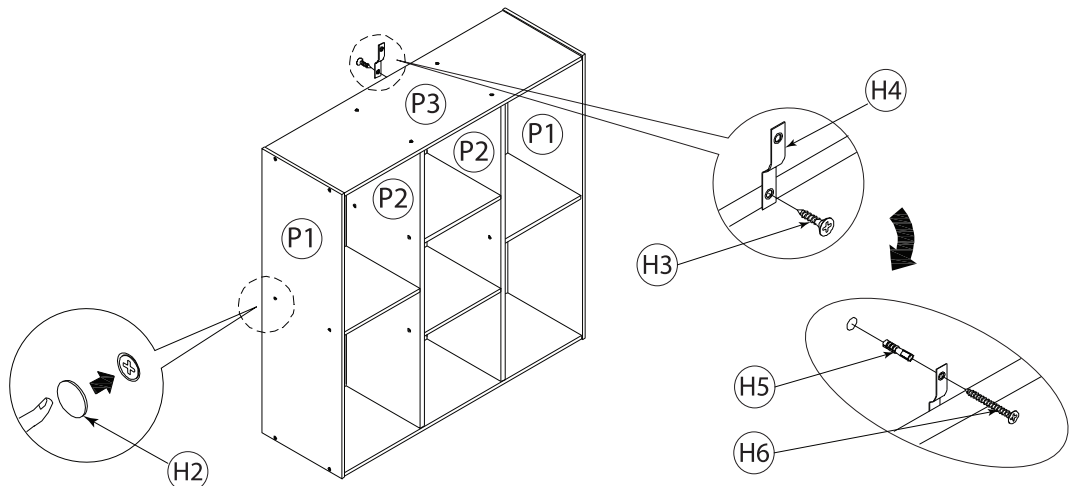
STEP 9



STEP 10



STEP 11



Use the provided stickers (H2) to cover the screw holes.

Install these Tip-Over Restraint fittings to avoid severe tip-overs of the unit.

IMPORTANT!
ANCHOR THE UNIT TO THE WALL TO AVOID TIPPING.
PLACE THE HEAVIEST ITEMS IN THE LOWEST SHELVES.

NEVER ALLOW CHILDREN TO STAND OR CLIMB ON THE UNIT.
THE USE OF TIP-OVER RESTRAINTS MAY ONLY REDUCE, BUT NOT ELIMINATE, THE RISK OF TIP-OVER