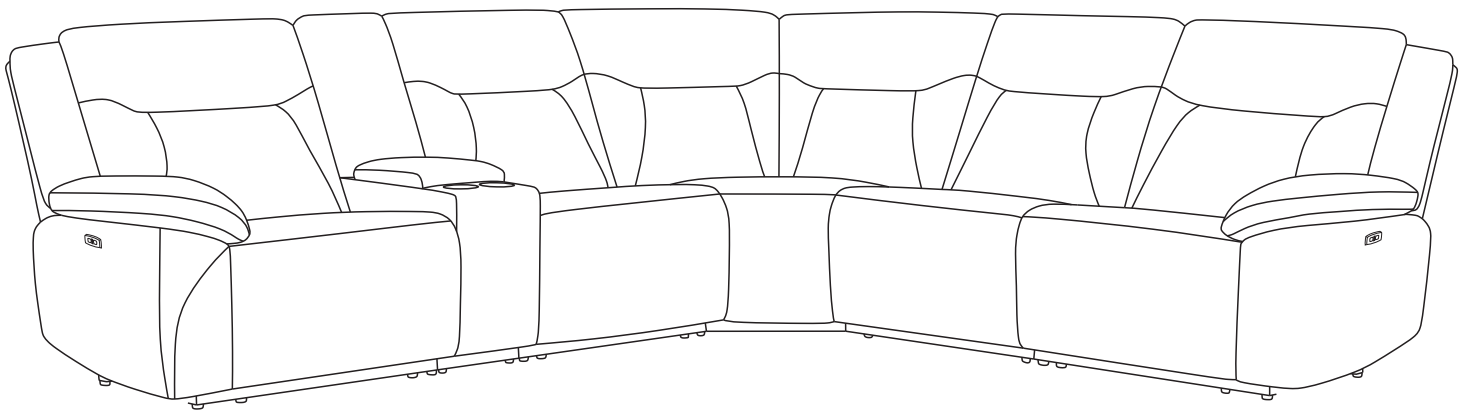


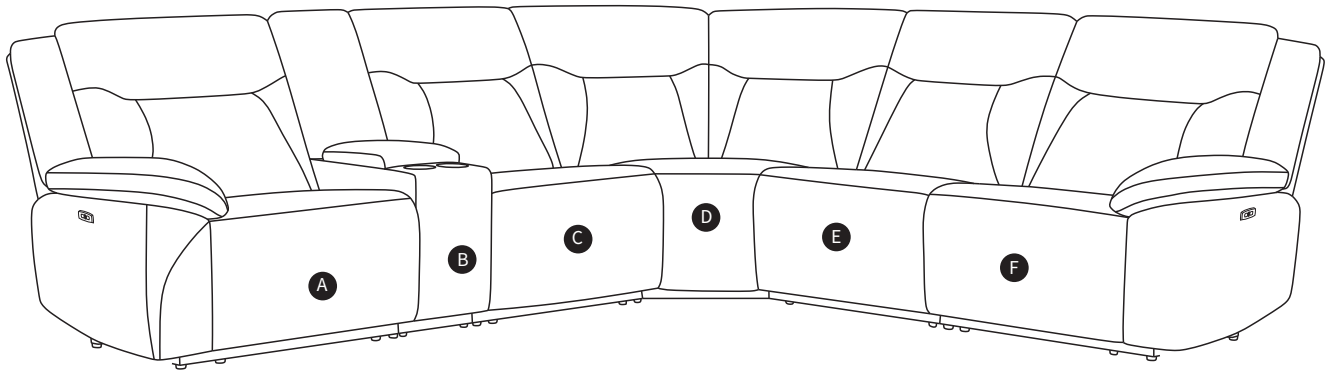
6 PCs Sectional KMT.6057 Assembly Manual



 **CAUTION**

THIS ASSEMBLY MANUAL CONTAINS IMPORTANT SAFETY INFORMATION.
PLEASE READ AND KEEP FOR FUTURE REFERENCE.

COMPONENTS



Ⓐ Left-arm sofa

Ⓑ Coffee table

Ⓒ Armless sofa-1

Ⓓ Corner sofa

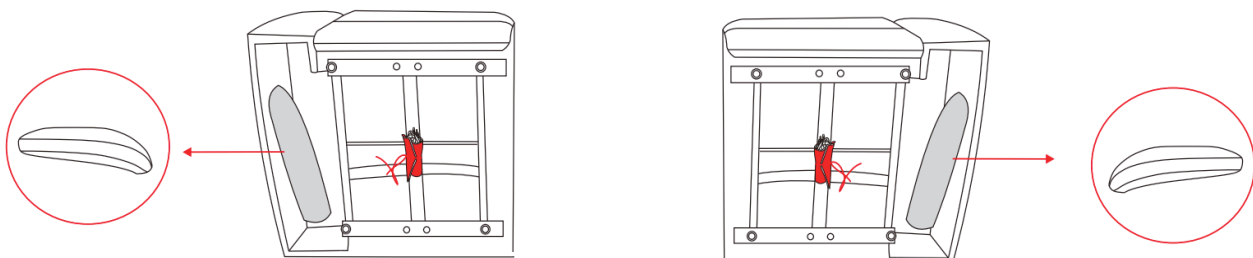
Ⓔ Armless sofa-2

Ⓕ Right-arm sofa

ASSEMBLY

Step 1

Take out both Right armrest and Left armrest.

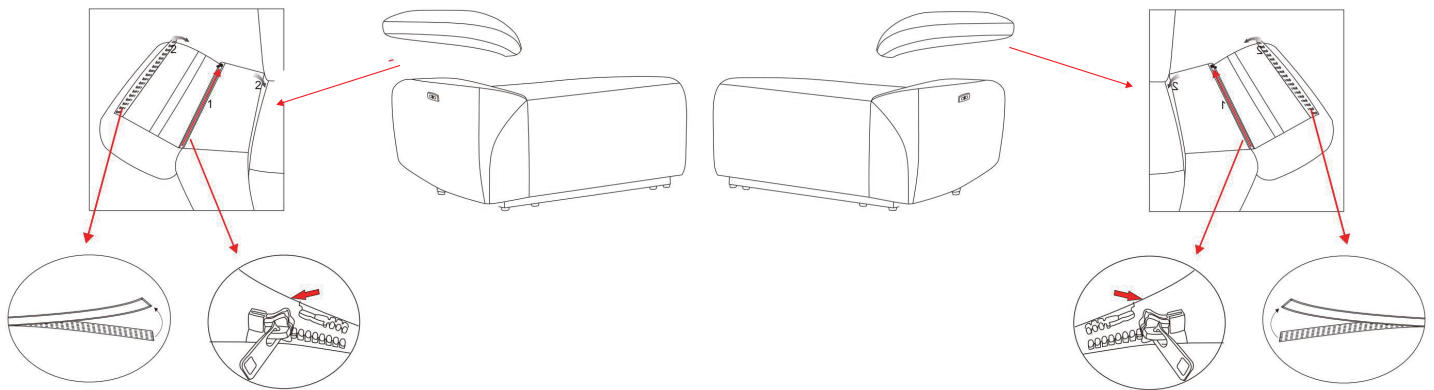


Ⓐ Left-arm sofa

Ⓕ Right-arm sofa

Step 2

First zip up the armrest bag, then flip over the Velcro and stick it in place

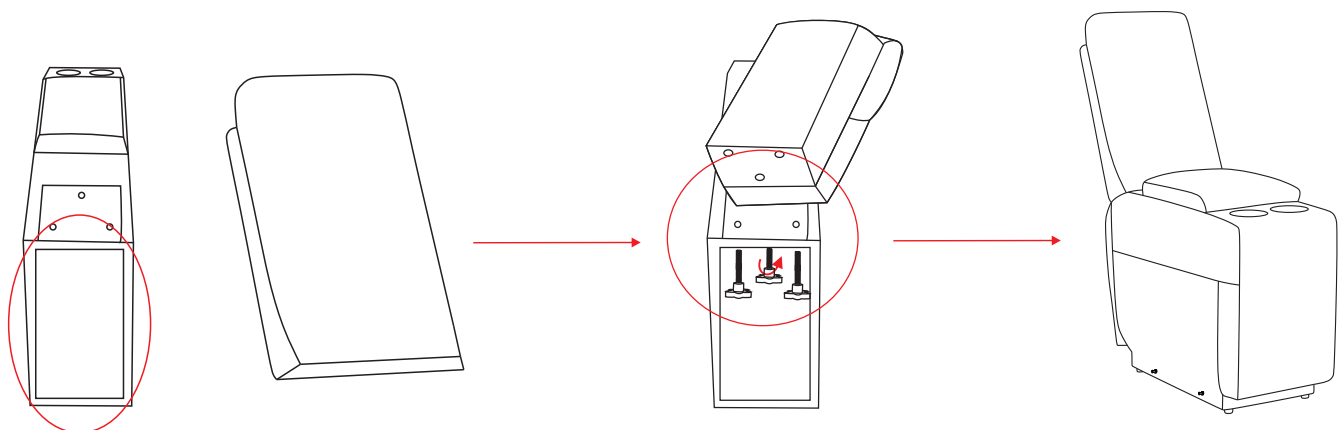


A Left-arm sofa

F Right-arm sofa

Step 3

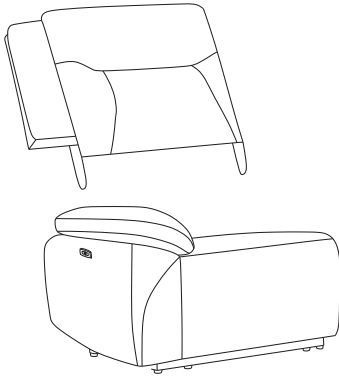
Several sets of backrest and seat cushions are screwed together by five star screws.



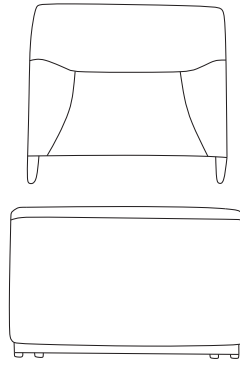
B Coffee table

Step 4

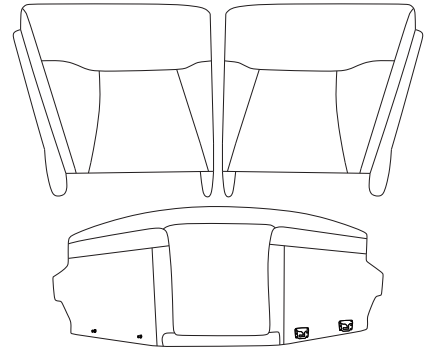
Align the functional connector of the backrest and cushion and press down.



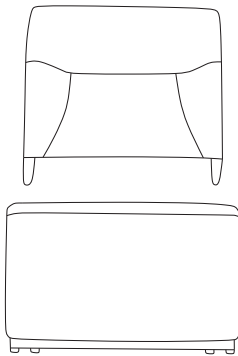
A Left-arm sofa



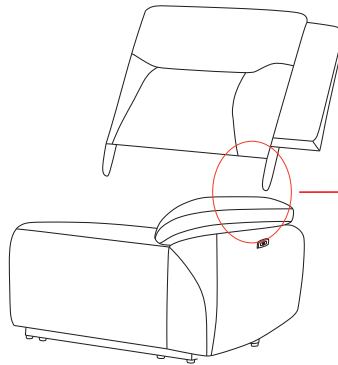
C Armless sofa



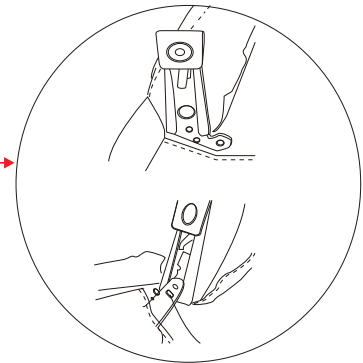
D Corner sofa



E Armless sofa

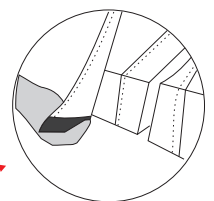
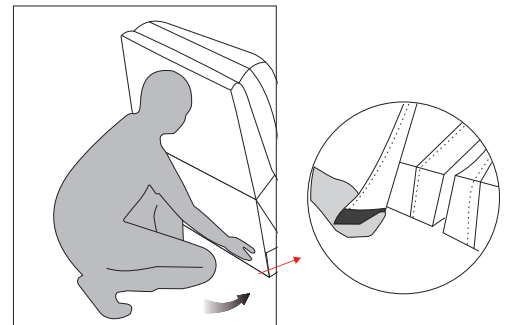
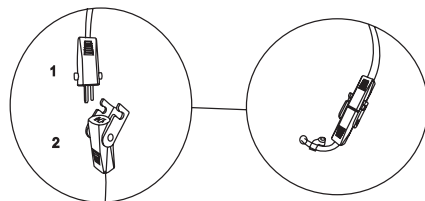
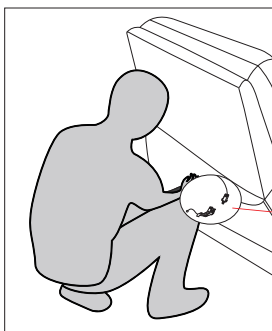


F Right-arm sofa



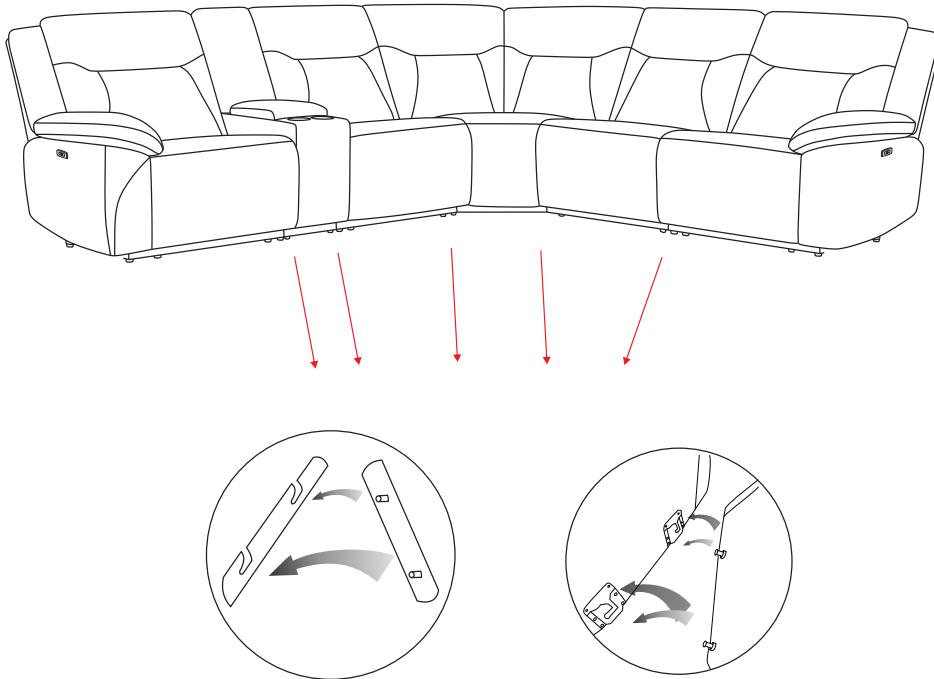
Step 5

Connect the wires between the backrest and the seat cushion, and attach the Velcro to the back seal.



Step 6

Cable connections between components are shown in the figure above.



Step 7

Connect one end of the power cord into the DC adaptor located at the back of the seat. Plug the other end of power cord into the power outlet.

