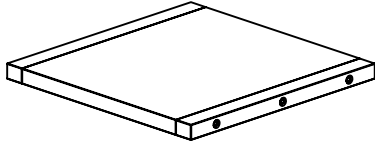
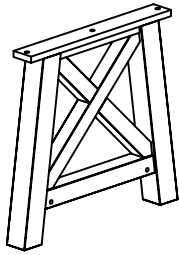


# ASSEMBLY INSTRUCTIONS

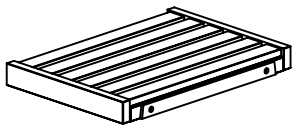
A. TOP 1PC



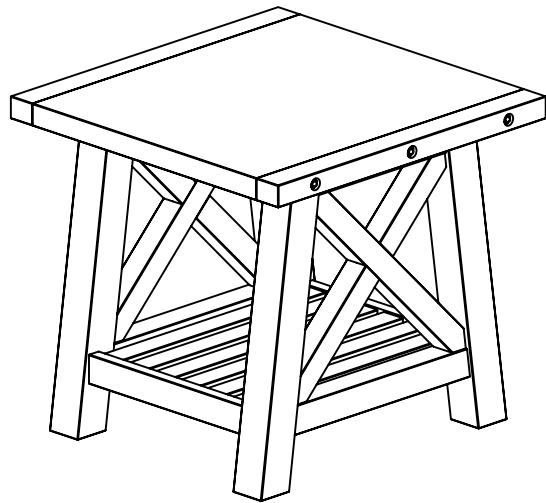
B. LEGS 2PCS







C. SHELF 1PC



SIDE TABLE  
ASSEMBLED

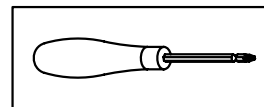


## HARDWARE ENCLOSED IN BOX

1	ALLEN BOLT M8 x 40 MM	10 PC	2	WASHER M9/22	10 PCS	3	SPRING WASHER M9/11	10 PCS	4	ALLEN KEY N4	01 PC
											

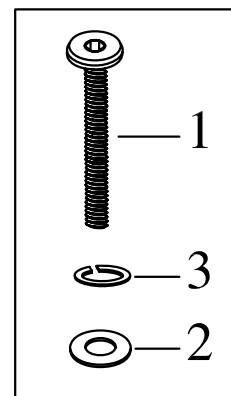
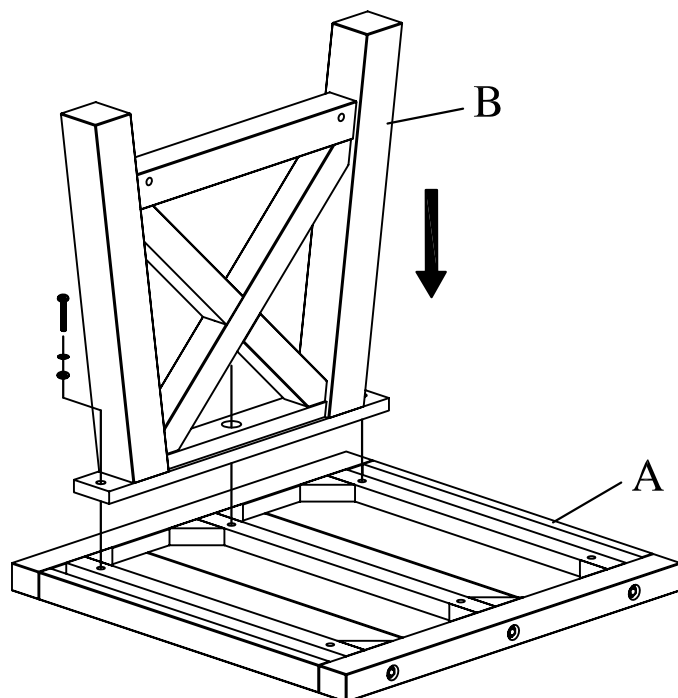
### TOOL REQUIRED

PHILLIPS HEAD SCREW  
DRIVER NOT PROVIDED



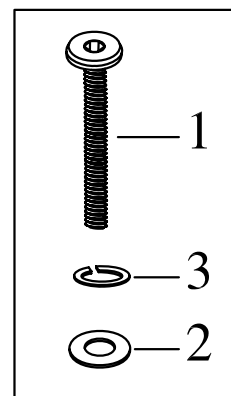
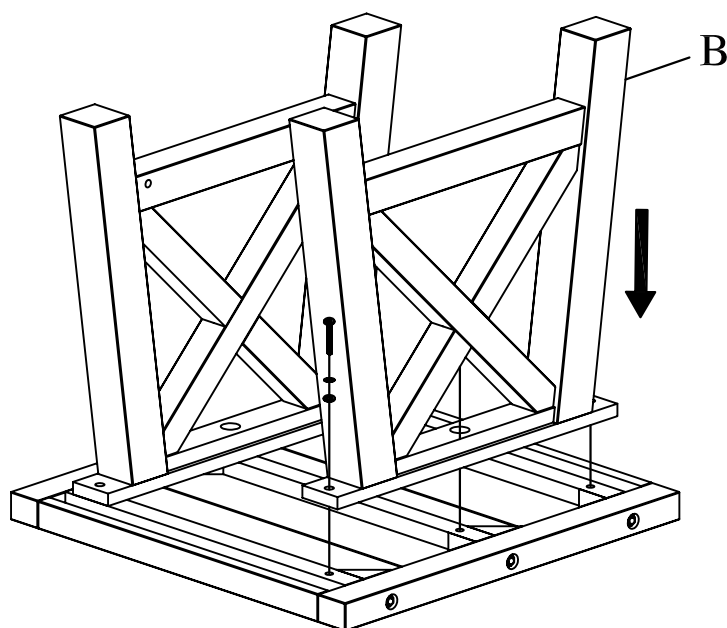
**STEP 1:**

ON A FLAT, LEVEL AREA LAY DOWN A CLEAN BLANKET OR TOWEL AND PLACE THE TABLE TOP (A) TOPSIDE DOWN. FOLLOWING THE ILLUSTRATION, ATTACH THE TABLE LEG (B) TO THE TOP USING THREE ALLEN BOLTS (1), SPRING WASHERS (3) AND FLAT WASHERS (2). DO NOT TIGHTEN BOLTS COMPLETELY.



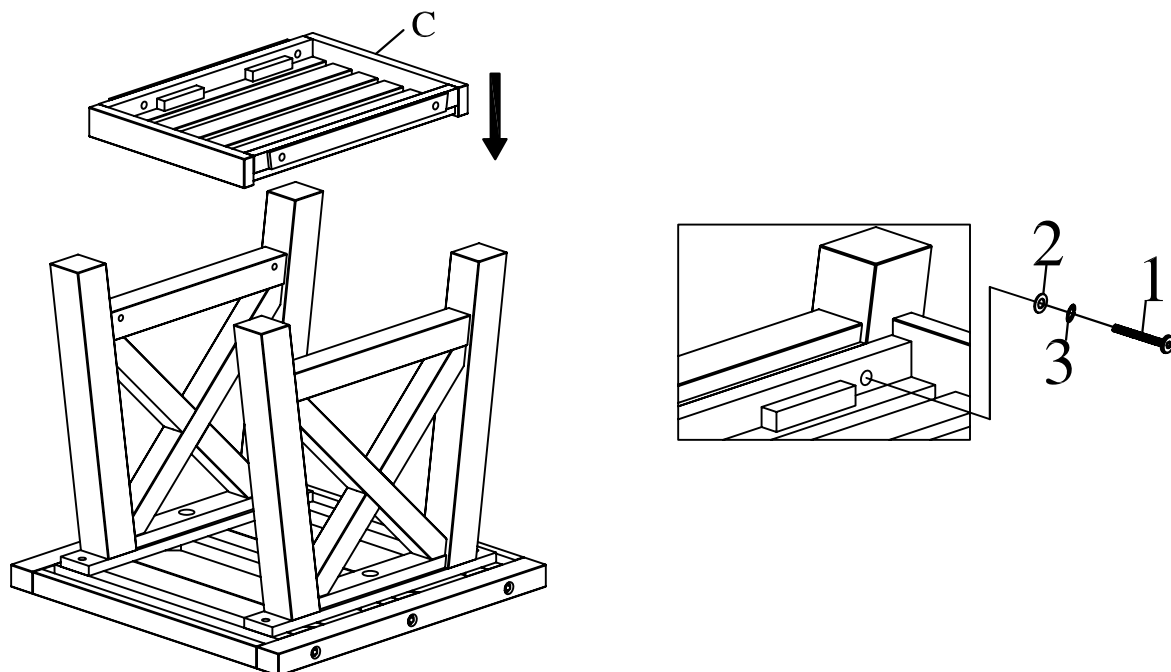
**STEP 2:**

ATTACH THE OTHER TABLE LEG (B) TO THE TOP USING THREE ALLEN BOLTS (1), SPRING WASHERS (3) AND FLAT WASHERS (2). DO NOT TIGHTEN BOLTS COMPLETELY.



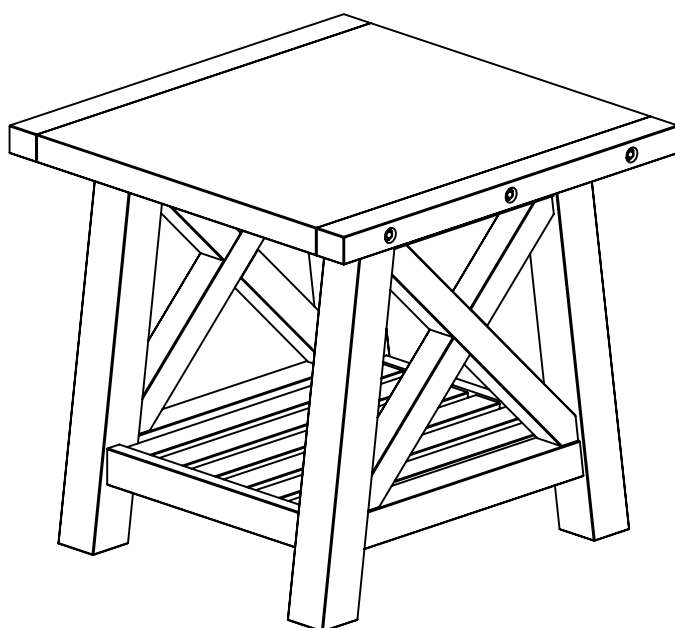
**STEP 3:**

CONNECT THE TABLE SHELF (C) TO THE LEGS USING FOUR ALLEN BOLTS (1), SPRING WASHERS (3) AND FLAT WASHERS (2); TWO PER SIDE. TIGHTEN THE SHELF BOLTS COMPLETELY USING THE PROVIDED ALLEN KEY (4). AFTER TIGHTENING THE SHELF BOLTS, COMPLETELY TIGHTEN THE SIX BOLTS USED TO ATTACH THE LEGS TO THE TABLE TOP.



**STEP 4:**

WITH HELP FROM ANOTHER PERSON, FLIP THE COMPLETED SIDE TABLE RIGHT SIDE UP BEFORE USING.



ASSEMBLY COMPLETE.