

INSTALLATION INSTRUCTIONS

READ AND SAVE THESE INSTRUCTIONS

WARNING! SHUT POWER OFF AT FUSE OR CIRCUIT BREAKER.

AVERTISSEMENT! COUPER LE COURANT AU NIVEAU DES FUSIBLES OU DU DISJONCTEUR.

PREPARATION (Fig. 1)

1. Shut off power at the fuse box or circuit breaker box and remove the old fixture including the mounting hardware.
2. Carefully unpack your new fixture and lay out all the parts in a clean area. Take care not to misplace any small parts necessary for installation.

ASSEMBLING THE FIXTURE WITH SWIVEL (Fig. 1)

3. Unscrew finials (E) to separate canopy (D) from circular strap (B).
4. Thread metal tube (I) to all thread (R) on top of shade (K).
5. Determine the desired hanging height and thread rods (G & H) to metal tube (I). Then thread swivel (F) on canopy (D) onto rod (G). Pass wires carefully through each rod as you assemble.
6. Thread screws (A) into the pre-drilled holes in the circular strap (B) spaced the same distance apart as the holes in canopy (D). The length of screws (A) may be adjusted if necessary. Then tighten with washer and hex nut.
7. Attach circular strap (B) to the junction box (Not included) using mounting screws (C) (Size: #8-32N*L1"). The side of the circular strap marked "GND" must face out.
8. The support cable is provided to support the weight of the fixture while wiring. Align fixture to circular strap (B) and attach hook (T) on the end of support cable (U) into a slot located on circular strap (B). Carefully allow support cable (U) to support the weight of the fixture while wiring.

CONNECTING THE WIRES (Fig. 2)

9. Connect the electrical wires as shown in fig. 2, making sure that all wire connectors are secured. If your junction box has a ground wire (green or bare copper), connect the fixture's ground wire to it. Otherwise, connect the fixture's ground wire directly to the circular strap (B) using the green screw provided. Tuck the wire connectors neatly into the ceiling junction box.

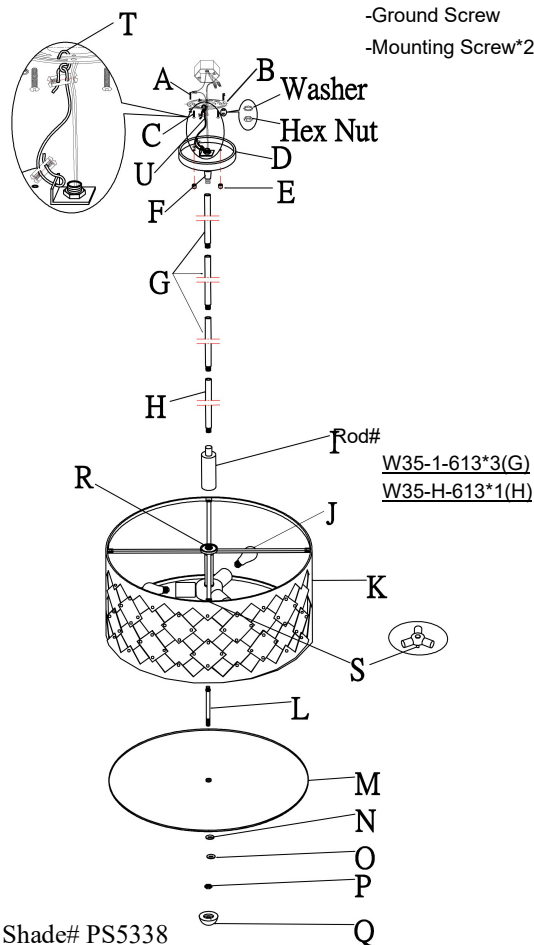
COMPLETING THE INSTALLATION (Fig. 1)

10. Raise canopy (D) over circular strap (B) aligning holes on canopy with screws (A) and secure with finials (E).
11. Install (3) three medium base bulbs (J) up to 60 watts each or CFL or LED equivalent (not included) in accordance with the fixture specification — **DO NOT EXCEED THE MAXIMUM WATTAGE RATING! (NE PAS DEPASSER LA PUISSANCE NOMINALE MAXIMALE!)**.
12. Thread stem (L) into cluster (S).
13. Place glass diffuser (M) over stem (L). Place plastic washer (N) and metal washer (O) over end of stem (L) and secure with hex nut (P). (Do not over tighten). Then thread finial (Q) onto stem (L).

Your installation is now complete. Return power to the junction box and test the fixture.

Note: Illustration (Fig. 1) on this manual is for installation purposes only. It may or may not be identical to the fixture purchased

Fig.1



Set# A-020-A
 -Circular Strap
 -Ground Screw
 -Mounting Screw*2

Rod# W35-1-613*3(G)
 W35-H-613*1(H)

Shade# PS5338
 Glass Diffuser#PG5338-CVR

Fig.2

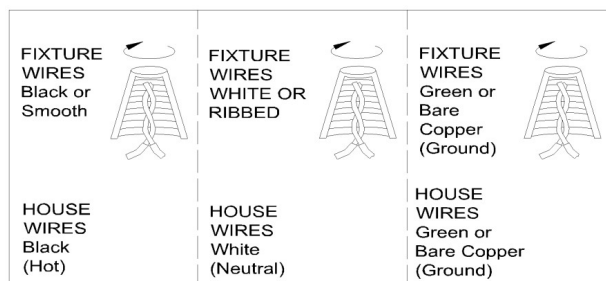
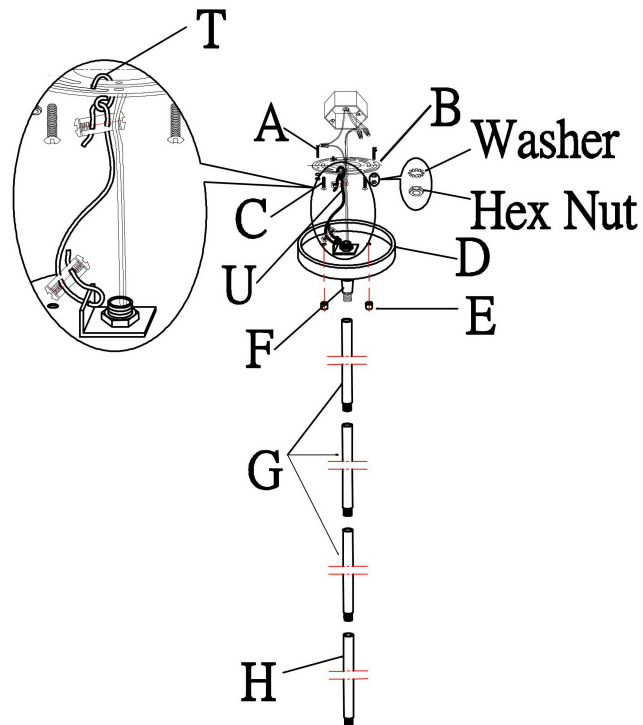
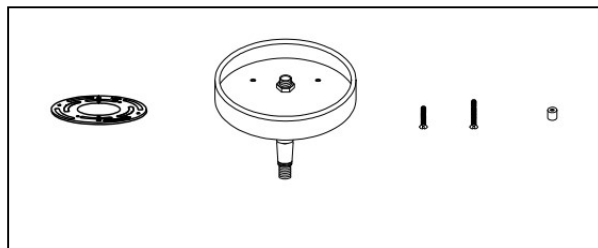


Fig.3



a. Hardware Bag:

- A. Screw*2
- B. Circular Strap*1
- C. Mounting Screw*2
- D. Canopy*1
- E. Finial *2



b. Hardware Bag:

- G. 12" Rod *3
- H. 6" Rod *

